

Print and SMD Switch 6x6



LSH: Gullwing, variable height



LPH: Through hole, variable height



LPS: Through hole, square



LPV: Through hole, angled

See below:

Approvals and Compliances

Description

- Switches are possible with different heights
- Design 6x6 mm Through hole or SMD mounting
- Solder terminals

Unique Selling Proposition

- Reliable tactile feedback on input
- Simple assembly
- Long life time

Weblinks

[pdf data sheet](#), [html datasheet](#), [General Product Information](#), [CAD-Drawings](#), [Product News](#), [Detailed request for product](#)

Technical Data

Electrical Data

| | |
|--------------------|--|
| Switching Voltage | 12 VDC |
| Switching Current | 50 mA |
| Lifetime | > 10 ⁵ actuations at Rated Switching Capacity |
| Contact Resistance | max. 100 mΩ max. 100 mΩ after lifetime |
| Duration of Bounce | typ. 0.1 ms |

Mechanical Data

| | |
|-------------------|------------------------------|
| Actuating Force | 1.6 ± 0.5 N |
| Actuating Travel | 0.25 + 0.2 / -0.1 mm |
| End Stop Strength | 50 N / 3 s |
| Lifetime | > 10 ⁵ actuations |

Climatical Data

| | |
|-----------------------|-----------------|
| Operating Temperature | -20 °C to 70 °C |
| Storage Temperature | -30 °C to 85 °C |
| IP-Protection | IP40 |

Soldering Data

| | |
|------------------------------|--|
| Soldering Methods | Reflow |
| Solderability | 245 °C / 5 sec (IEC 60068-2-58 Test Td) |
| Resistance to Soldering Heat | 260 °C / 10 sec (IEC 60068-2-58 Test Td) |

Material

| | |
|-----------|------------------|
| Terminals | CuZn37 0.7 μm Ag |
| Socket | UL 94V-0 |
| Actuator | UL 94V-0 |

Approvals and Compliances

Detailed information on product approvals, code requirements, usage instructions and detailed test conditions can be looked up in [Details about Approvals](#)

SCHURTER products are designed for use in industrial environments. They have approvals from independent testing bodies according to national and international standards. Products with specific characteristics and requirements such as required in the automotive sector according to IATF 16949, medical technology according to ISO 13485 or in the aerospace industry can be offered exclusively with customer-specific, individual agreements by SCHURTER.




Application standards

Application standards where the product can be used

| Organization | Design | Standard | Description |
|--------------|--------------------------------|----------------|--|
| | Designed for applications acc. | IEC/UL 62368-1 | IEC 62368-1 includes the basic requirements for safety of audio, video, information technology and office equipment. |

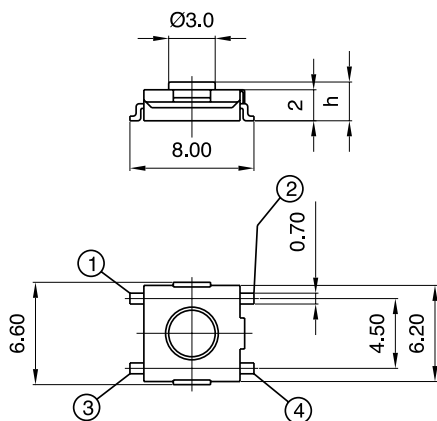
Compliances

The product complies with following Guide Lines

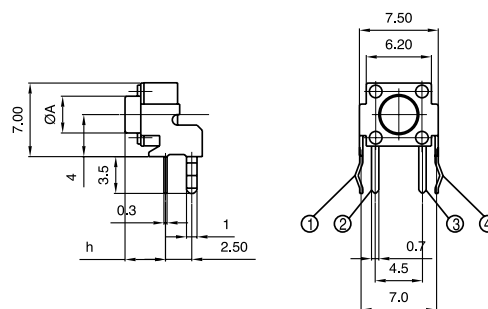
| Identification | Details | Initiator | Description |
|--|------------|-------------|---|
|  | RoHS | SCHURTER AG | Directive RoHS 2011/65/EU, Amendment (EU) 2015/863 |
|  | China RoHS | SCHURTER AG | The law SJ / T 11363-2006 (China RoHS) has been in force since 1 March 2007. It is similar to the EU directive RoHS. |
|  | REACH | SCHURTER AG | On 1 June 2007, Regulation (EC) No 1907/2006 on the Registration, Evaluation, Authorization and Restriction of Chemicals 1 (abbreviated as "REACH") entered into force. |

Dimension [mm]

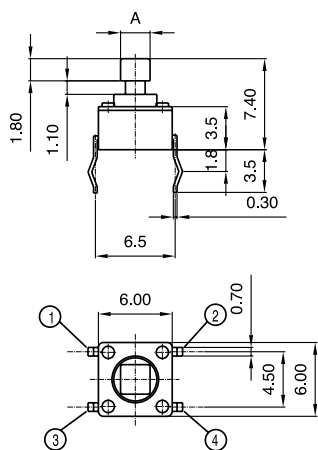
LSG Gullwing basic module



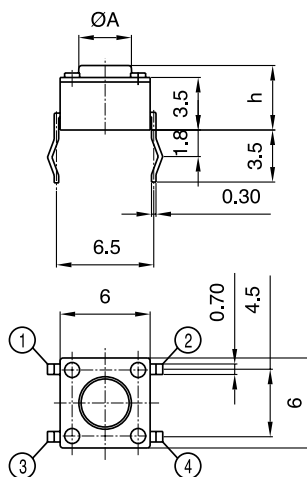
LPV PCB basic module



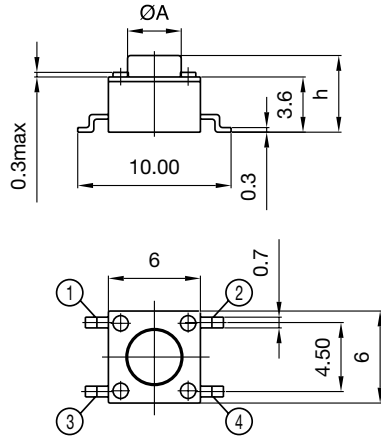
LPS PCB basic module



LPH PCB basic module

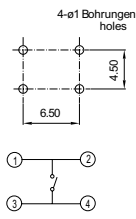


LSH Gullwing basic module

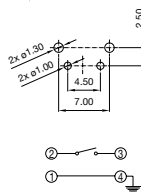


Drilling diagrams

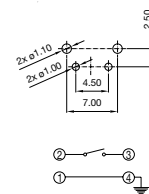
LPH / LPS PCB lead



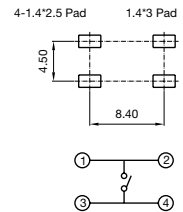
LPV PCB lead: 1301.9501,
1301.9502



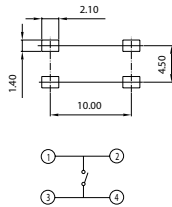
LPV PCB lead: 1301.9503



LSG: Gullwing



LSH Gullwing lead



All Variants

| Type | Terminal | Type | Actuator \varnothing A / Overall height | Packaging | Order Number |
|------|--------------|--------------------------|---|------------------------------------|------------------------------|
| LPH | Through hole | Height variable | 12.50 mm | loose in boxes(2000 pcs.) | 1301.9307 |
| LPH | Through hole | Height variable | 4.30 mm | loose in boxes(2000 pcs.) | 1301.9301 |
| LPH | Through hole | Height variable | 5.00 mm | loose in boxes(2000 pcs.) | 1301.9302 |
| LPH | Through hole | Height variable | 7.00 mm | loose in boxes(2000 pcs.) | 1301.9303 |
| LPH | Through hole | Height variable | 7.30 mm | loose in boxes(2000 pcs.) | 1301.9304 |
| LPH | Through hole | Height variable | 8.00 mm | loose in boxes(2000 pcs.) | 1301.9305 |
| LPH | Through hole | Height variable | 9.50 mm | loose in boxes(2000 pcs.) | 1301.9306 |
| LPS | Through hole | square 2.40 mm x 2.40 mm | - | loose in boxes(2000 pcs.) | 1301.9308 |
| LPS | Through hole | square 2.80 mm x 2.80 mm | - | loose in boxes(2000 pcs.) | 1301.9309 |
| LPV | Through hole | angled | 11.35 mm | loose in boxes(1000 pcs.) | 1301.9502 |
| LPV | Through hole | angled | 3.85 mm | loose in boxes(1000 pcs.) | 1301.9501 |
| LPV | Through hole | angled | 6.15 mm | loose in boxes(2000 pcs.) | 1301.9503 |
| LSG | Gullwing | - | 3.10 mm | Blister Tape 33 cm Reel(1500 pcs.) | 1301.9324.25 |
| LSH | Gullwing | Height variable | 12.50 mm | Blister Tape 33 cm Reel(250 pcs.) | 1301.9320.24 |
| LSH | Gullwing | Height variable | 12.50 mm | loose in boxes(2000 pcs.) | 1301.9320 |
| LSH | Gullwing | Height variable | 4.30 mm | Blister Tape 33 cm Reel(1000 pcs.) | 1301.9314.24 |

| Type | Terminal | Type | Actuator \varnothing A / Overall height | Packaging | Order Number | |
|------|----------|-----------------|---|------------------------------------|--------------|---|
| LSH | Gullwing | Height variable | 4.30 mm | loose in boxes(2000 pcs.) | 1301.9314 | ■ |
| LSH | Gullwing | Height variable | 5.00 mm | Blister Tape 33 cm Reel(1000 pcs.) | 1301.9315.24 | ■ |
| LSH | Gullwing | Height variable | 5.00 mm | loose in boxes(2000 pcs.) | 1301.9315 | ■ |
| LSH | Gullwing | Height variable | 7.00 mm | Blister Tape 33 cm Reel(750 pcs.) | 1301.9316.24 | ■ |
| LSH | Gullwing | Height variable | 7.00 mm | loose in boxes(2000 pcs.) | 1301.9316 | ■ |
| LSH | Gullwing | Height variable | 7.30 mm | Blister Tape 33 cm Reel(750 pcs.) | 1301.9317.24 | ■ |
| LSH | Gullwing | Height variable | 7.30 mm | loose in boxes(2000 pcs.) | 1301.9317 | ■ |
| LSH | Gullwing | Height variable | 8.00 mm | Blister Tape 33 cm Reel(500 pcs.) | 1301.9318.24 | ■ |
| LSH | Gullwing | Height variable | 8.00 mm | loose in boxes(2000 pcs.) | 1301.9318 | ■ |
| LSH | Gullwing | Height variable | 9.50 mm | Blister Tape 33 cm Reel(400 pcs.) | 1301.9319.24 | ■ |
| LSH | Gullwing | Height variable | 9.50 mm | loose in boxes(2000 pcs.) | 1301.9319 | ■ |

■ Most Popular.

Availability for all products can be searched real-time:<https://www.schurter.com/en/Stock-Check/Stock-Check-SCHURTER>

Компания «Life Electronics» занимается поставками электронных компонентов импортного и отечественного производства от производителей и со складов крупных дистрибьюторов Европы, Америки и Азии.

С конца 2013 года компания активно расширяет линейку поставок компонентов по направлению коаксиальный кабель, кварцевые генераторы и конденсаторы (керамические, пленочные, электролитические), за счёт заключения дистрибьюторских договоров

Мы предлагаем:

- Конкурентоспособные цены и скидки постоянным клиентам.
- Специальные условия для постоянных клиентов.
- Подбор аналогов.
- Поставку компонентов в любых объемах, удовлетворяющих вашим потребностям.
- Приемлемые сроки поставки, возможна ускоренная поставка.
- Доставку товара в любую точку России и стран СНГ.
- Комплексную поставку.
- Работу по проектам и поставку образцов.
- Формирование склада под заказчика.
- Сертификаты соответствия на поставляемую продукцию (по желанию клиента).
- Тестирование поставляемой продукции.
- Поставку компонентов, требующих военную и космическую приемку.
- Входной контроль качества.
- Наличие сертификата ISO.

В составе нашей компании организован Конструкторский отдел, призванный помогать разработчикам, и инженерам.

Конструкторский отдел помогает осуществить:

- Регистрацию проекта у производителя компонентов.
- Техническую поддержку проекта.
- Защиту от снятия компонента с производства.
- Оценку стоимости проекта по компонентам.
- Изготовление тестовой платы монтаж и пусконаладочные работы.



Тел: +7 (812) 336 43 04 (многоканальный)

Email: org@lifeelectronics.ru