

MODEL HS35 | INCREMENTAL OPTICAL ENCODER

Product Description

The HS35 combines the rugged, heavy-duty features usually associated with shafted encoders into a hollow shaft style. Its design includes dual bearings and shaft seals for NEMA 4, 13 and IP65 environmental ratings, a rugged metal housing, and a sealed connector or cable gland. The HS35 accommodates shafts up to 1" in diameter. With optional insulating inserts, it can be mounted on smaller diameter shafts. It can be mounted on a through shaft or a blind shaft with a closed cover to maintain its environmental rating. The HS35 is also available with a dual output option (inset) to provide redundant encoder signals, dual resolutions, or to supply two separate controllers from a single encoder. Applications include motor feedback and vector control, printing industries, robotic control, oil service industries, and web process control.



The HS35 Dual Output Encoder

SPECIFICATIONS

Mechanical Specifications

Shaft Bore	1.00", 0.875", 0.750", 0.625", 0.500". All are supplied with insulating sleeves.
Allowable Misalignments	0.005" T.I.R. on mating shaft 0.75" from shaft end
Bore Runout	0.001 T.I.R. maximum
Starting Torque at 25°C	Through shaft version (SS) = 7 in-oz (max); Blind shaft version (BS) = 4 in-oz max
Bearings	52100 SAE High carbon steel
Shaft Material	416 stainless steel
Bearing Housing	Die cast aluminum with protective finish
Cover	Die cast aluminum with protective finish
Bearing Life	7.5 X 10 ⁹ revs (50,000 hrs at 2500 RPM)
Maximum RPM	6,000 RPM (see frequency response above)
Moment of Inertia	0.019 oz-in-sec ²
Weight	18 oz. typical

Electrical Specifications

Code	Incremental
Output Format	2 channels in quadrature, 1/2 cycle index gated with negative B channel
Cycles per Shaft Turn	1 to 80,000 (See Table A). For resolutions above 5000 see interpolation options in Table A
Supply Voltage	5 to 28 VDC available (See Note 5)
Current Requirements	100 mA typical + output load, 250 mA (max)
Voltage / Output	15V/V: 5–15 VDC in, $V_{out} = V_{in}$ 28V/V: Line Driver, 5–28 VDC in, $V_{out} = V_{in}$ 28V/5: Line Driver, 5–28 VDC in, $V_{out} = 5$ VDC 28V/OC: Open Collector, 5–28 VDC in, OC_{out} (See Note 5)
Protection Level	Reverse, overvoltage and output short circuit protection (See Note 5)
Frequency Response	150 kHz (Up to 5000 cpt resolution; 300 KHz above 5000 cpt, also see Note 7)
Output Termination Pinouts	See Table 1

Notes: Consult factory for other electrical options.

Environmental Specifications

Enclosure Rating	NEMA 4 & 13 (IP65) when ordered with shaft seal (on units with an MS connector) or a cable gland (on units with cable termination)
Temperature	Operating, 0° to 70° C; extended temperature testing up to 105° C available (see Note 8); Storage, -25° to 90° C unless extended temperature option called out
Shock	50 g's for 11 msec duration
Vibration	5 to 2000 Hz @ 20 g's
Humidity	98% RH without condensation

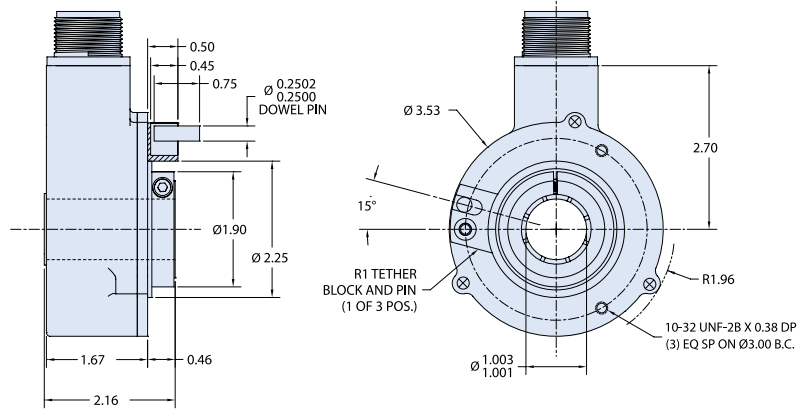
Notes and Tables: All notes and tables referred to in the text can be found in the pages that follow.



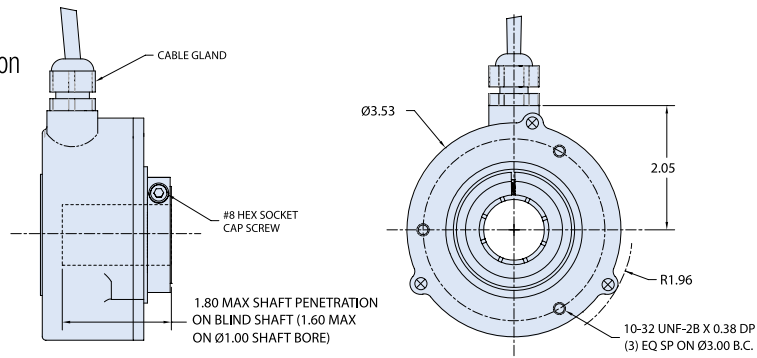
DIMENSIONS

Dimensions in mm

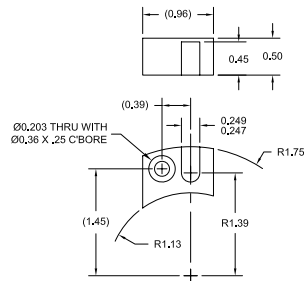
MS Connector Termination



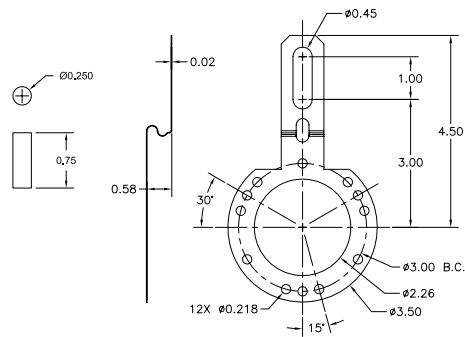
Cable Termination



R1 Tether Block and Pin



R2 Tether Arm



Dual Output

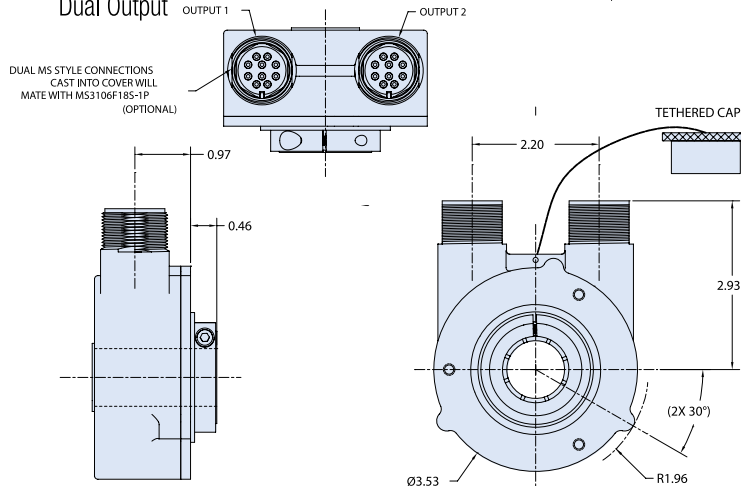


Table 1 —
Incremental Output Terminations

The connector style will determine pinouts.
For example, an encoder with ABC channels and an M18 connector uses the table below.

M18 Connector		M12 Connector		M16 Connector		Channels Designated in Model No.	
Pin	Channel	Pin	Channel	PIN	ABZ	ABC	
A	A	A	A	A	A	A	
B	B	B	B	B	B	B	
C	Z	C	Z	C	Z	\bar{A}	
D	+V	D	+V	D	+V (Supply Voltage)		
E	—	E	—	E	—	\bar{B}	
F	0V	F	0V	F	0V (Circuit Common)		
G	CG	G	CG	G	Case Ground (CG) (Except H20)		
H	\bar{A}	H	\bar{A}				
I	\bar{B}	J	\bar{B}				
J	\bar{Z}	k	\bar{Z}				

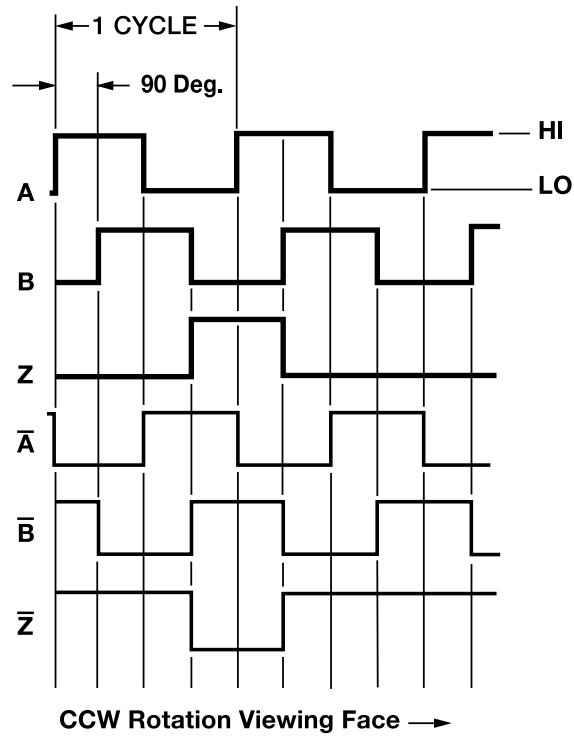
Wire Color	DA 15P Connector	Channels Designated in Model No.		
		ABZ	ABC	ABZC
YEL	13	A	A	A
BLUE	14	B	B	B
ORN	15	Z	—	Z
W-Yel	10	—	\bar{A}	\bar{A}
W-Blu	11	—	\bar{B}	\bar{B}
W-Orn	12	—	—	\bar{Z}
RED	6	+V (Supply Voltage)		
BLK	1	0V (Circuit Common)		
GRN	9	Case Ground (CG) (Except H20)		
WHITE		Shield Drain (Shielded Cable Only)		

Table A —
HS35 Disc Resolutions

32, 100, 250, 360, 420, 500, 512, 600, 635, 720, 1000, 1024, 1200, 1500, 1650, 1800, 2000, 2100, 2048, 2500, 2881, 2884, 3600, 3710, 4096, 5000

For interpolation please specify the multiplied output (up to 80,000 for the HS35) in the model number, i.e. 80,000-T16. Other resolutions available—consult factory.
NOTE: Dual resolutions available, consult factory.

Figure 1 —
Output Waveform



NOTE: Index location is displaced 180° (mechanical) on second output with dual output option.



ORDERING OPTIONS

Items highlighted in blue are standard Express Encoders and ship in one to three days.

X **HS35** **F** - **100** - **R1** - **SS** - **2048** **ABZ** **C** - **28V/V** - **SM18** - **EX** - **S**

Encoder **X**: Express Encoder

Type **HS**: Hollow Shaft
35: 3.5" Encoder Diameter

Housing Configuration **F**: Standard

Shaft Bore **100**: 1.00" **62**: 0.625"
87: 0.875" **50**: 0.50" etc.
75: 0.75" Metric bores available

Tether **R1**: Tether Block and Pin
R2: Tether Arm

Shaft Seal Configuration **SS**: Through Shaft, Rubber Seals **BFS**: Blind Shaft Felt (See Note 2)
BS: Blind Shaft, Rubber Seal
FS: Through Shaft, Felt Seals

Cycles per Turn (Enter Cycles)
(See table A on the prior pages)

No. of Channels **ABZ**
(See Note 3)

Compliments **C**: Complimentary Outputs
(See Note 4)

Voltage / Output **15V/V**: 5-15V_{in/out} **28V/5**: 5-28V_{in}/5V_{out} (See Note 5)
28V/V: 5-28V_{in/out} **28V/OC**: 5-28V_{in}/OC_{out}

Output Termination **SM12**: MS3112E12-10P
M16: MS3102R16S-1P
SM18: MS3102R18-1P
(Indicate "S" for single or "D" for Dual (i.e. DM18 = Dual))
SCS: Shielded/Jacketed Cable with Cable Seal. Length of Cable is specified in inches. (i.e. SCS18 = 18 inches)
(See Table 1 & Note 9)

Hazardous Area Ratings **Blank**: None **NI**: Non-Incendive
EX: Intrinsically Scale **Contact Factory for Voltage Options**

Special Features **S**: Special Features specified on Purchase Order.
(See Note 3)
(Consult Factory for More Information)

1. The typical hollow shaft product is supported by, and clamped to, the driving shaft. A flexible tether is used to keep the housing from rotating.
2. The rubber shaft seal is recommended in virtually all installations. The most common exceptions are applications requiring a very low starting torque or those requiring operation at both high temperature and high speed. For these exceptions, a felt shaft seal is recommended. Felt seals require very low starting torque and can virtually eliminate frictional heat. Encoders ordered with felt shaft seals will have an enclosure rating of IP50 and will have less than 1/10th the Starting Torque specified under Mechanical Configurations.
3. Non-standard index widths and multiple indices are available by special order. Consult factory.
4. Complementary outputs are recommended for use with line driver type (source/sink) outputs. When used with differential receivers, this combination provides a high degree of noise immunity.
5. **Output IC's:** Output IC's are available as either Line Driver (LD) or NPN Open Collector (OC) types. Open Collectors require pull-up resistors, resulting in higher output source impedance (sink impedance is similar to that of line drivers). In general, use of a Line Driver style output is recommended. Line Drivers source or sink current and their lower impedance mean better noise immunity and faster switching times. Warning: Do not connect any line driver outputs directly to circuit common/OV, which may damage the driver. Unused outputs should be isolated and left floating. Our applications specialists would be pleased to discuss your system requirements and the compatibility of your receiving electronics with Line Driver type outputs.
- 28V/V: Multi-Voltage Line Driver (7272*):** 100 mA source/sink. Input voltage 5 to 28 VDC \pm 5% standard (Note: $V_{out} = V_{in}$). This driver is TTL compatible when used with 5 volt supply. Supply lines are protected against overvoltage to 60 volts and reverse voltage. Outputs are short circuit protected for one minute. Supply current is 120 mA typical (plus load current). This is the recommended replacement for 3904R and 7406R open collector outputs with internal pullup resistors. It is also a direct replacement for any 4469, 88C30, 8830 or 26LS31 line driver
- 28V/5:** Multi-voltage Line Driver (7272*): 100 mA source/sink. Input voltage 5 to 28 VDC \pm 5% standard, internally regulated with 5V (TTL compatible) logic out. Supply lines are protected against overvoltage to 60 volts and reverse voltage. Outputs are short circuit protected for one minute. Supply current is 90 mA typical (plus load current).
- 28V/OC:** NPN Open Collector (3904*, 7273*). Current sink of 80 mA max. Current sourced by external pull-up resistor. Output can be pulled up to voltage other than supply voltage (30 V max). Input voltage 5 to 28 VDC \pm 5% standard. Supply current is 120 mA typical. This replaces prior IC's with designations of 3904, 7406, 3302, 681 and 689.
- 5V/OCR, 15V/OCR, 24V/OCR:** Open Collector (3904R*, 7406R*, 7273R*): Current sink of 70 mA max. Includes internal pull-ups sized at approximately 100 ohms/volt. Max current source is 10 mA. Supply current is 100 mA typical, 120 mA with internal pull-ups. The 5V/OCR, 15V/OCR and 24V/OCR are often replaced by the 28V/V in system upgrades.
- 3904, 3904R, 4469, 5V/V, 5V/OC, 5V/OCR, 9V/OC:** Intrinsically safe line driver and open collector outputs. These drivers are specific to intrinsically safe encoders, and are installed per the appropriate control drawings listed in Table 2.1 on page 48.
6. **Special** –S at the end of the model number is used to define a variety of non-standard features such as special shaft lengths, voltage options, or special testing. Please consult the factory to discuss your special requirements.
7. Higher frequency response may be available. Please consult with the factory.
8. Extended temperature ratings are available in the following ranges: -40 to 70°C, -40 to 85°C, -20 to 105°C and -40 to 105°C depending on the particular model. Some models can operate down to -55°C. Extended temperature ranges can affect other performance factors. Consult with factory for more specific information.
9. Mating straight plug receptacles may be ordered from the factory:

For M12 use MS3116F12-10S	For M14/19 use MS3116J14-19S	For M18 use MS3106F18-1S
For M14 use MS3106F14S-6S	For M16 use MS3106F16S-1S	For M20 use MS3106F20-29S



AGENCY APPROVALS & AVAILABLE CERTIFICATIONS



Agency	File Number
CE	EN 55011 and EN 61000-6-2
UL	U.S. Standards Class I, Group A,B,C, & D, Class II Group E, F, & G
cUL	Canadian Standards Class I, Zone 0, Group IIC
IEC / IECEx	UL 12.0035X UL 13.0071X
ATEX	CENELEC II 1 G Ex ia IIB/IIC T4 Ga II 3 G Ex nA IIB T3 Gc
cRUs	Class I, Div 2, Group A,B,C & D; Class II, Div 2, Group F & G

Consult factory for more details.

Revised 02/08/18

Sensata Technologies, Inc. ("Sensata") data sheets are solely intended to assist designers ("Buyers") who are developing systems that incorporate Sensata products (also referred to herein as "components"). Buyer understands and agrees that Buyer remains responsible for using its independent analysis, evaluation and judgment in designing Buyer's systems and products. Sensata data sheets have been created using standard laboratory conditions and engineering practices. Sensata has not conducted any testing other than that specifically described in the published documentation for a particular data sheet. Sensata may make corrections, enhancements, improvements and other changes to its data sheets or components without notice.

Buyers are authorized to use Sensata data sheets with the Sensata component(s) identified in each particular data sheet. HOWEVER, NO OTHER LICENSE, EXPRESS OR IMPLIED, BY ESTOPPEL OR OTHERWISE TO ANY OTHER SENSATA INTELLECTUAL PROPERTY RIGHT, AND NO LICENSE TO ANY THIRD PARTY TECHNOLOGY OR INTELLECTUAL PROPERTY RIGHT, IS GRANTED HEREIN. SENSATA DATA SHEETS ARE PROVIDED "AS IS". SENSATA MAKES NO WARRANTIES OR REPRESENTATIONS WITH REGARD TO THE DATA SHEETS OR USE OF THE DATA SHEETS, EXPRESS, IMPLIED OR STATUTORY, INCLUDING ACCURACY OR COMPLETENESS. SENSATA DISCLAIMS ANY WARRANTY OF TITLE AND ANY IMPLIED WARRANTIES OF MERCHANTABILITY, FITNESS FOR A PARTICULAR PURPOSE, QUIET ENJOYMENT, QUIET POSSESSION, AND NON-INFRINGEMENT OF ANY THIRD PARTY INTELLECTUAL PROPERTY RIGHTS WITH REGARD TO SENSATA DATA SHEETS OR USE THEREOF.

All products are sold subject to Sensata's terms and conditions of sale supplied at www.sensata.com SENSATA ASSUMES NO LIABILITY FOR APPLICATIONS ASSISTANCE OR THE DESIGN OF BUYERS' PRODUCTS. BUYER ACKNOWLEDGES AND AGREES THAT IT IS SOLELY RESPONSIBLE FOR COMPLIANCE WITH ALL LEGAL, REGULATORY AND SAFETY-RELATED REQUIREMENTS CONCERNING ITS PRODUCTS, AND ANY USE OF SENSATA COMPONENTS IN ITS APPLICATIONS, NOTWITHSTANDING ANY APPLICATIONS-RELATED INFORMATION OR SUPPORT THAT MAY BE PROVIDED BY SENSATA.

Mailing Address: Sensata Technologies, Inc., 529 Pleasant Street, Attleboro, MA 02703, USA.

CONTACT US

Americas

+1 (800) 350 2727 – Option 1
sales.beisensors@sensata.com
Europe, Middle East & Africa
+33 (3) 88 20 8080
position-info.eu@sensata.com

Asia Pacific

sales.isasia@list.sensata.com
China +86 (21) 2306 1500
Japan +81 (45) 277 7117
Korea +82 (31) 601 2004
India +91 (80) 67920890
Rest of Asia +886 (2) 27602006
ext 2808

Компания «Life Electronics» занимается поставками электронных компонентов импортного и отечественного производства от производителей и со складов крупных дистрибьюторов Европы, Америки и Азии.

С конца 2013 года компания активно расширяет линейку поставок компонентов по направлению коаксиальный кабель, кварцевые генераторы и конденсаторы (керамические, пленочные, электролитические), за счёт заключения дистрибьюторских договоров

Мы предлагаем:

- Конкурентоспособные цены и скидки постоянным клиентам.
- Специальные условия для постоянных клиентов.
- Подбор аналогов.
- Поставку компонентов в любых объемах, удовлетворяющих вашим потребностям.
- Приемлемые сроки поставки, возможна ускоренная поставка.
- Доставку товара в любую точку России и стран СНГ.
- Комплексную поставку.
- Работу по проектам и поставку образцов.
- Формирование склада под заказчика.
- Сертификаты соответствия на поставляемую продукцию (по желанию клиента).
- Тестирование поставляемой продукции.
- Поставку компонентов, требующих военную и космическую приемку.
- Входной контроль качества.
- Наличие сертификата ISO.

В составе нашей компании организован Конструкторский отдел, призванный помогать разработчикам, и инженерам.

Конструкторский отдел помогает осуществить:

- Регистрацию проекта у производителя компонентов.
- Техническую поддержку проекта.
- Защиту от снятия компонента с производства.
- Оценку стоимости проекта по компонентам.
- Изготовление тестовой платы монтаж и пусконаладочные работы.



Тел: +7 (812) 336 43 04 (многоканальный)

Email: org@lifeelectronics.ru