

# Insulated Shaft Potentiometer 12mm Size Insulated Shaft Snap-in Type

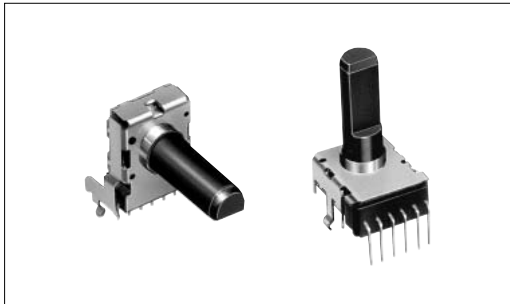
RK12L Series



High performance 12mm width type.

Rotary Potentiometers

Slide Potentiometers



## Typical Specifications

Items	Specifications
Total resistance tolerance	± 20%
Maximum operating voltage	50V AC for AC only
Total rotational angle	300 ± 5 °
Rotational torque	2 to 15mN·m
Operating life	15,000cycles
Operating temperature range	- 10 to + 70

Metal Shaft

Insulated Shaft

Knob Operating

## Product Line

Number of resistor elements	Mounting direction	Shaft type	Length of the shaft LM:( mm )	Center detent	Total resistance ( k )	Resistance taper	Application	Minimum order unit ( pcs. )	Products No.	Drawing No.
Dual-unit	Vertical type	Flat	20	Without	50	1B	For tone	1,000	RK12L1230C0K	2
			30		10	15A				
			25	With	20	1B		800	RK12L1230C1M	
			30		50					
	Horizontal type		30	Without	10	15A	For vol.	1,200	RK12L1210C0R	1
	Vertical type		15		50	15C				
			25		10	15A		800	RK12L12C0C0V	2
			30		20				RK12L12C0A0E	
		RK12L12C0A0G								
	RK12L12C0A0A									
Horizontal type	30	10	RK12L12A0C0R	1						


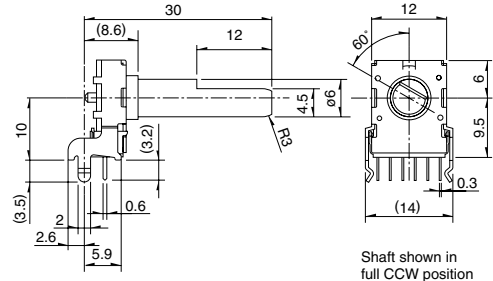
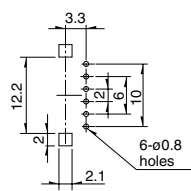

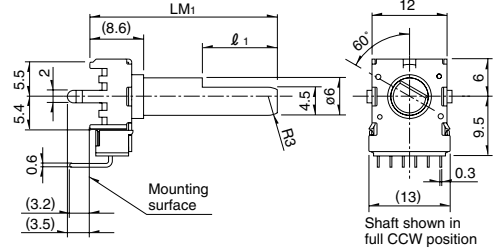
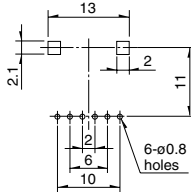
## Note

Products other than those listed in above products are also available. Please contact us for details.

Refer to P.379 for product varieties.

**Dimensions**

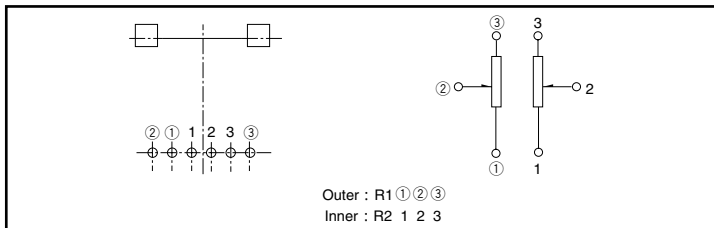
Unit:mm

No.	Photo	Style	PC board mounting hole dimensions (Viewed from mounting side)										
1	<p>Horizontal type without bushing RK12L121( For tone control ) RK12L12A( For vol. control )</p> 	 <p>Shaft shown in full CCW position</p>											
2	<p>Vertical type without bushing RK12L123( For tone control ) RK12L12C( For vol. control )</p> 	<table border="1" style="margin-bottom: 10px;"> <tr> <td>LM<sub>1</sub></td> <td>15</td> <td>20</td> <td>25</td> <td>30</td> </tr> <tr> <td>ℓ<sub>1</sub></td> <td>4.5</td> <td>7</td> <td>12</td> <td>12</td> </tr> </table>  <p>Mounting surface</p> <p>Shaft shown in full CCW position</p>	LM <sub>1</sub>	15	20	25	30	ℓ <sub>1</sub>	4.5	7	12	12	
LM <sub>1</sub>	15	20	25	30									
ℓ <sub>1</sub>	4.5	7	12	12									

Rotary Potentiometers  
Slide Potentiometers

Metal Shaft  
Insulated Shaft  
Knob Operating

**Terminal Layout/Circuit Diagram**



**Product Varieties**

In addition to the recommended products, the following specifications can also be accommodated.

**Total Resistance Variety**

Total resistance(k )	5	10	20	50	100	200
----------------------	---	----	----	----	-----	-----

**Resistance Taper**

Resistance taper	15A	1B	3B	15C
------------------	-----	----	----	-----

**Shaft Variety**

Unit:mm

Style	Vertical type		Horizontal type	
	LM <sub>1</sub>	15	20	25
ℓ <sub>1</sub>	4.5	7	12	12

**Note**

marked are specifications recommended by ALPS.

Refer to P.380, 502 for resistance taper.

# Orders Other Than Recommended Products

When ordering product varieties that are not listed in the Product Line, please specify by referring to the below example.

## Sample Part Number



### Model type

Code	Model type
1	Horizontal type for tone
3	Vertical type for tone
A	Horizontal type for vol.
C	Vertical type for vol.

### Shaft type

Code	Shaft type
F	Flat

\* Only available in flat format.

### Length of the shaft (LM<sub>1</sub> X mm)

Code	Length of the shaft	Code	Length of the shaft
15	15	25	25
20	20	30	30

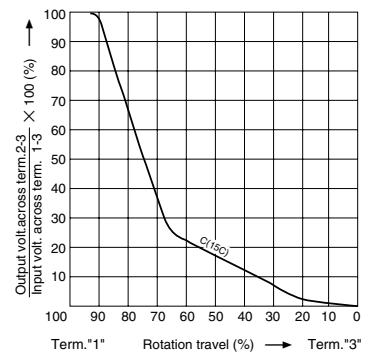
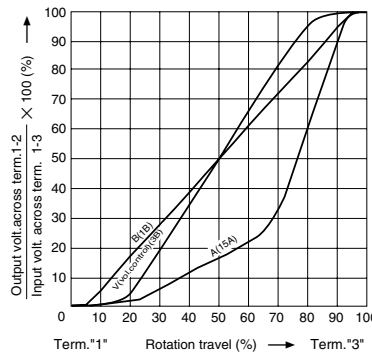
### Detent

Code	Center detent
C0	Without
C1	With

### Resistance taper

Code	Resistance taper	Code	Resistance taper
A	15A	C	15C
B	1B	V	3B

B: For tone & general ( Model type : 1,3 )  
 V: For vol. ( Model type : A,C )



### Total resistance

Code	Total resistance (kΩ)	Code	Total resistance (kΩ)
502	5	503	50
103	10	104	100
203	20	204	200






### Note

marked are specifications recommended by ALPS.

Rotary Potentiometers  
Slide Potentiometers

Metal Shaft  
Insulated Shaft  
Knob Operating

## List of Varieties

Items	Type		9mm Size Insulated Shaft Snap-in	11mm Size Insulated Shaft Snap-in	12mm Size Insulated Shaft Snap-in	14mm Size Insulated Shaft Snap-in	9mm Size Insulated shaft Long-life	
	Model		RK09K11 RK09D11	RK09K12	RK11K11	RK12L12	RK14K12	RK09Y11L
			Single-unit	Dual-unit	Single-unit	Dual-unit		Single-unit
Photo								
Bushing		Without		With/Without	Without	With/Without	Without	
Electrical performance	Total resistance tolerance		± 20%	± 30%	± 20%		± 30%	
	Maximum operating voltage		50V AC 20V DC	50V AC For AC only	50V AC 20V DC	50V AC For AC only		50V AC 5V DC
	Insulation resistance		100M min. 250V DC		100M min. 500V DC	100M min. 250V DC		
	Voltage proof		250V AC for 1minute		500V AC for 1minute	300V AC for 1minute		250V AC for 1minute
	Gang error		—	- 40dB to 0dB 3dB max.	—	Volume control -40dB to 0dB 3dB max. For tone control within 2dB at center		—
Mechanical performance	Strength of the actuator	Stopper strength	0.3N·m		Without bushing 0.5N·m With bushing 0.6N·m	0.5N·m	0.6N·m	—
		Push-pull strength	50N max.		80N max.		30N max.	
	Vibration		10 to 55 to 10Hz/min., the amplitude is 1.5mm for all the frequencies, in the 3 direction of X, Y and Z and for 2 hours respectively					
	Resistance to soldering heat	Manual soldering	350 max. 3s max.					
		Dip Soldering	—			260 max. 5s max.	—	
Environmental performance	Cold		- 30 ± 2 for 96h				- 30 ± 2 for 240h	
	Dry heat		70 ± 2 for 96h		70 ± 2 for 240h	70 ± 2 for 96h	70 ± 2 for 240h	
	Damp heat		40 ± 2 , 90 to 95% RH for 96h				40 , 90 to 95% RH for 240h	
Page		368		374	378	381	385	

Rotary Potentiometers

Slide Potentiometers

Metal Shaft

Insulated Shaft

Knob Operating

Insulated Shaft Potentiometers Cautions .....386, 387

Компания «Life Electronics» занимается поставками электронных компонентов импортного и отечественного производства от производителей и со складов крупных дистрибьюторов Европы, Америки и Азии.

С конца 2013 года компания активно расширяет линейку поставок компонентов по направлению коаксиальный кабель, кварцевые генераторы и конденсаторы (керамические, пленочные, электролитические), за счёт заключения дистрибьюторских договоров

Мы предлагаем:

- Конкурентоспособные цены и скидки постоянным клиентам.
- Специальные условия для постоянных клиентов.
- Подбор аналогов.
- Поставку компонентов в любых объемах, удовлетворяющих вашим потребностям.
- Приемлемые сроки поставки, возможна ускоренная поставка.
- Доставку товара в любую точку России и стран СНГ.
- Комплексную поставку.
- Работу по проектам и поставку образцов.
- Формирование склада под заказчика.
- Сертификаты соответствия на поставляемую продукцию (по желанию клиента).
- Тестирование поставляемой продукции.
- Поставку компонентов, требующих военную и космическую приемку.
- Входной контроль качества.
- Наличие сертификата ISO.

В составе нашей компании организован Конструкторский отдел, призванный помогать разработчикам, и инженерам.

Конструкторский отдел помогает осуществить:

- Регистрацию проекта у производителя компонентов.
- Техническую поддержку проекта.
- Защиту от снятия компонента с производства.
- Оценку стоимости проекта по компонентам.
- Изготовление тестовой платы монтаж и пусконаладочные работы.



Тел: +7 (812) 336 43 04 (многоканальный)

Email: [org@lifeelectronics.ru](mailto:org@lifeelectronics.ru)