



# W6/W9 series

## Magnetic Hydraulic Circuit Breakers



### Features

- Designed for the international market. UL Recognized, CSA Certified, and VDE approved.
- Ratings to 50 amps.
- Heavy duty #10-32 stud connections. (W9)
- Optional 10 amp auxiliary switch.
- Optional snap-in mounting. (W6)
- Several delay curve options.
- Trip-free operation.

### Agency Approvals

- UL:** Recognized as Supplementary Protector under UL 1077. File E69543.
- CSA:** Certified as a Supplementary Protector. File LR15734.
- VDE:** Approved to VDE 0642/EN 60 934 (Circuit Breakers for Equipment) License No. 73782.

### Electrical Data

- Auxiliary Switch:** See Auxiliary Switch Ratings Table 2 for details.
- Calibration:** Breakers will hold 100% of rated current. Breakers may trip between 101% and 124% of rated load (149% for 400 Hz. units and 134% for AC/DC units). Breakers must trip at 125% of rated load and above (150% for 400 Hz. units and 135% for AC/DC units).
- Dielectric Strength:** 50/60 or 400 Hz., 1500V: DC, 1100V.
- Insulation Resistance:** 100 Megohms at 500VDC.
- Endurance:** 10,000 on/off cycles - 6000 at rated load, 4000 at no load. Units tested at six cycles per minute, 1 second on and 9 seconds off at 25°C ambient.

### Typical Resistance and Impedance

| Current (Amps) | DC Resistance (Ohms) | 50/60 Hz. Impedance (Ohms) | 400 Hz. Impedance (Ohms) |
|----------------|----------------------|----------------------------|--------------------------|
| 0.2            | 90                   | 90                         | 180                      |
| 1.0            | 1.2                  | 1.2                        | 2.0                      |
| 2.0            | 0.28                 | 0.28                       | 0.50                     |
| 5.0            | 0.04                 | 0.04                       | 0.05                     |
| 10.0           | 0.013                | 0.013                      | 0.025                    |
| 20.0           | 0.004                | 0.005                      | 0.0065                   |
| 30.0           | 0.0027               | 0.004                      | 0.004                    |
| 40.0           | 0.002                | 0.002                      | 0.003                    |
| 50.0           | 0.0015               | 0.0015                     | 0.0025                   |

Tolerance: 0.1 - 4.99 ± 15%; 5 - 9.99 ± 20%; 10 - 15 ± 25%; 16 - 30 ± 50%.

### Mechanical/Environmental Data

- Operating Temperature:** -40°C to +85°C.
- Humidity:** Meets requirements of Mil-STD-202 method 103.
- Shock:** Tested per Mil-STD-202, method 213, test condition C (100g @ 6 ms).
- Vibration:** Tested per Mil-STD-202, method 201, 10-55 Hz., 0.06" (1.52mm) total excursion in 2 planes.
- Fungus And Moisture Resistance:** Special moisture resistant finish applied to all ferrous parts. Plastic parts are made of inherently fungus resistant material.
- Marking:** W6 units have ON and OFF molded on the rocker of rocker actuated units (rocker actuated VDE units have international "1" and "0"). W9 units have ON and OFF molded into the area at the base of the toggle. International "1" and "0" symbols are marked on the toggle for both W6 and W9.
- Mounting:** Panel mounted units are mounted with two #6-32 screws from the front of the panel. Metric models for use with M3 x 0.5 screws are available. Units with snap-in mounting option snap through the front of the panel. To maintain published performance specifications, units should not be mounted more than 90° from their normal upright position.
- Weight:** Approximately 2.5 ounces per pole.

### Approvals and Ratings Table 1

| Maximum Voltage | Frequency (Hz) | Current Phase | Interrupting Rating (Amps) | Capacity (Amps) |
|-----------------|----------------|---------------|----------------------------|-----------------|
| 65              | DC             | -             | 0.2 - 50                   | 2,000           |
| 277             | 50/60          | 1             | 0.2 - 20                   | 5,000           |
| 277             | 50/60          | 1             | 21 - 50                    | 2,500           |
| 277/480         | 50/60          | 3Ø-Wye        | 0.2 - 20                   | 5,000           |
| 250             | 400            | 1             | 0.2 - 20                   | 2,500           |
| 250             | 400            | 1             | 21 - 50                    | 1,250           |
| 250             | 400            | 3Ø-Wye        | 0.2 - 20                   | 2,500           |

| Maximum Voltage | Frequency (Hz) | Current Phase | Interrupting Rating (Amps) | Capacity (Amps) |
|-----------------|----------------|---------------|----------------------------|-----------------|
| 65              | DC             | -             | 0.2 - 50                   | 2,000           |
| 277             | 50/60          | 1             | 0.2 - 50                   | 5,000           |
| 277/480         | 50/60          | 3Ø-Wye        | 0.2 - 20                   | 5,000           |
| 250             | 400            | 1             | 0.2 - 50                   | 2,500           |
| 250             | 400            | 3Ø-Wye        | 0.2 - 50                   | 2,500           |

| Maximum Voltage | Frequency (Hz) | Current Phase | Interrupting Rating (Amps) | Capacity (Amps) |
|-----------------|----------------|---------------|----------------------------|-----------------|
| 65              | DC             | -             | 0.2-50                     | 2,000           |
| 250             | 50/60          | 1             | 0.2-30                     | 5,000           |
| 250             | 50/60          | 1             | 31-50                      | 2,000           |
| 415/240         | 50/60          | 3Ø            | 0.2-30                     | 5,000           |

| Maximum Voltage | Frequency (Hz) | Current Phase | Interrupting Rating (Amps) | Capacity (Amps) |
|-----------------|----------------|---------------|----------------------------|-----------------|
| 65              | DC             | -             | 0.2-50                     | 2,000           |
| 250             | 50/60          | 1             | 0.2-30                     | 5,000           |
| 250             | 50/60          | 1             | 31-50                      | 2,000           |
| 415/240         | 50/60          | 3Ø            | 0.2-30                     | 5,000           |

### Approvals and Ratings Table 2

| Switch Number | Voltage 50/60 Hz. | Current (Amps) | Terminals WxTxL                           |
|---------------|-------------------|----------------|---|
| A             | 125               | 10             | .093 x .020 x .250<br>(2.36 x .51 x 6.40) |

| Switch Number | Voltage 50/60 Hz. | Current (Amps) | Terminals WxTxL     |
|---------------|-------------------|----------------|---------------------|
| V1            | 250               | 10             | .110 x .020 x .280  |
| V2            | 250               | 5              | (2.79 x .51 x 7.11) |
| V3            | 250               | 0.1            |                     |

Time vs. Current Trip Curves For W6 Series and W9 Series

AC 50/60 Hz.



DC



AC/DC



AC 400 Hz.



Note:

For instantaneous curves for all voltages refer to Curve 0 Non-Time Delay under the AC 50/60 Hz. heading.

Pulse Tolerance Specifications

Pulse tolerance is defined as a single pulse of a half sine wave (1/2 cycle or 8 milliseconds) that will not trip the breaker. An inertia wheel for increased pulse tolerance is available by specifying "P" after the time delay curve number in the ordering information. The table at right lists pulse tolerance values of standard and inertia delay models.

| Voltage         | Time Delay Curve | Pulse Tolerance Value |               |
|-----------------|------------------|-----------------------|---------------|
|                 |                  | Standard              | Inertia Delay |
| AC<br>50/60 Hz. | 2                | 7.5                   | 18            |
|                 | 3                | 6                     | 18            |
|                 | 10               | 18                    | 30            |
|                 | 12               | 18                    | 30            |
| AC<br>400 Hz.   | 13               | 18                    | 30            |
|                 | 2                | 6.5                   | 18            |
|                 | 3                | 5.5                   | 18            |

To determine pulse tolerance multiply breaker rating by value in table. For example, a 2A breaker with time delay curve 3 has a standard pulse tolerance of 12A (2A x 6). The same breaker with an inertia delay has a pulse tolerance of 36A (2A x 18).

**Ordering Information**

**W6 Series**

| Typical Part No. ▶  |                                     | W                | 67-                                 | X   | 2   | Q   | 1   | 2-   | 20   |                     |                       |                  |                        |                                   |             |     |           |     |                     |      |                                     |      |           |                                   |                                     |      |                           |     |     |     |                                     |     |      |      |      |      |      |      |
|---|-------------------------------------|------------------|-------------------------------------|-----|-----|-----|-----|------|------|---------------------|-----------------------|------------------|------------------------|-----------------------------------|-------------|-----|-----------|-----|---------------------|------|-------------------------------------|------|-----------|-----------------------------------|-------------------------------------|------|---------------------------|-----|-----|-----|-------------------------------------|-----|------|------|------|------|------|------|
| <b>1. Circuit Breaker Mounting:</b><br>W = #6-32 mounting threads.<br>M = M3.0 x 0.5 mounting threads.<br>X = Snap-in mounting. (Not available in rocker actuated models.)  |                                     |                  |                                     |     |     |     |     |      |      |                     |                       |                  |                        |                                   |             |     |           |     |                     |      |                                     |      |           |                                   |                                     |      |                           |     |     |     |                                     |     |      |      |      |      |      |      |
| <b>2. Number of Poles:</b><br>67 = Single pole      68 = Two pole      69 = Three pole      70 = Four pole  |                                     |                  |                                     |     |     |     |     |      |      |                     |                       |                  |                        |                                   |             |     |           |     |                     |      |                                     |      |           |                                   |                                     |      |                           |     |     |     |                                     |     |      |      |      |      |      |      |
| <b>3. Circuit Function: (Only X is VDE approved)</b><br>A = Series trip with auxiliary switch (.093" QC)      X = Series trip   |                                     |                  |                                     |     |     |     |     |      |      |                     |                       |                  |                        |                                   |             |     |           |     |                     |      |                                     |      |           |                                   |                                     |      |                           |     |     |     |                                     |     |      |      |      |      |      |      |
| <b>4. Actuator: (One actuator per pole)</b><br>1 = Black toggle    3 = Black rocker    5 = Red rocker    9 = Red toggle<br>2 = White toggle    4 = White rocker    6 = Grey rocker  |                                     |                  |                                     |     |     |     |     |      |      |                     |                       |                  |                        |                                   |             |     |           |     |                     |      |                                     |      |           |                                   |                                     |      |                           |     |     |     |                                     |     |      |      |      |      |      |      |
| <b>5. Termination:</b><br>Q = .250" QC (DIN 46 244) 25A Max. VDE      S = #8-32 screw      T = #10-32 screw<br>Note: "T" termination must be used for all ratings of 31 amps or above.  |                                     |                  |                                     |     |     |     |     |      |      |                     |                       |                  |                        |                                   |             |     |           |     |                     |      |                                     |      |           |                                   |                                     |      |                           |     |     |     |                                     |     |      |      |      |      |      |      |
| <b>6. Maximum Line Voltage: (See Table 1 for current ranges)</b><br><table border="0"> <tr> <td><b>UL/CSA TYPES</b></td> <td>1 = 277VAC, 50/60 Hz.</td> <td><b>VDE TYPES</b></td> <td>1 = 250VAC, 415/240VAC</td> </tr> <tr> <td></td> <td>2 = 277/480</td> <td></td> <td>5 = 65VDC</td> </tr> <tr> <td></td> <td>3 = 250VAC, 400 Hz.</td> <td></td> <td>7 = AC/DC 250VAC, 415/240VAC, 65VDC</td> </tr> <tr> <td></td> <td>5 = 65VDC</td> <td></td> <td>(Delay curve 34 must be specified.)</td> </tr> <tr> <td></td> <td>7 = AC/DC 277VAC or 65VDC</td> <td></td> <td></td> </tr> <tr> <td></td> <td>(Delay curve 34 must be specified.)</td> <td></td> <td></td> </tr> </table> |                                     |                  |                                     |     |     |     |     |      |      | <b>UL/CSA TYPES</b> | 1 = 277VAC, 50/60 Hz. | <b>VDE TYPES</b> | 1 = 250VAC, 415/240VAC |                                   | 2 = 277/480 |     | 5 = 65VDC |     | 3 = 250VAC, 400 Hz. |      | 7 = AC/DC 250VAC, 415/240VAC, 65VDC |      | 5 = 65VDC |                                   | (Delay curve 34 must be specified.) |      | 7 = AC/DC 277VAC or 65VDC |     |     |     | (Delay curve 34 must be specified.) |     |      |      |      |      |      |      |
| <b>UL/CSA TYPES</b>   | 1 = 277VAC, 50/60 Hz.               | <b>VDE TYPES</b> | 1 = 250VAC, 415/240VAC              |     |     |     |     |      |      |                     |                       |                  |                        |                                   |             |     |           |     |                     |      |                                     |      |           |                                   |                                     |      |                           |     |     |     |                                     |     |      |      |      |      |      |      |
|   | 2 = 277/480                         |                  | 5 = 65VDC                           |     |     |     |     |      |      |                     |                       |                  |                        |                                   |             |     |           |     |                     |      |                                     |      |           |                                   |                                     |      |                           |     |     |     |                                     |     |      |      |      |      |      |      |
|   | 3 = 250VAC, 400 Hz.                 |                  | 7 = AC/DC 250VAC, 415/240VAC, 65VDC |     |     |     |     |      |      |                     |                       |                  |                        |                                   |             |     |           |     |                     |      |                                     |      |           |                                   |                                     |      |                           |     |     |     |                                     |     |      |      |      |      |      |      |
|   | 5 = 65VDC                           |                  | (Delay curve 34 must be specified.) |     |     |     |     |      |      |                     |                       |                  |                        |                                   |             |     |           |     |                     |      |                                     |      |           |                                   |                                     |      |                           |     |     |     |                                     |     |      |      |      |      |      |      |
|   | 7 = AC/DC 277VAC or 65VDC           |                  |                                     |     |     |     |     |      |      |                     |                       |                  |                        |                                   |             |     |           |     |                     |      |                                     |      |           |                                   |                                     |      |                           |     |     |     |                                     |     |      |      |      |      |      |      |
|   | (Delay curve 34 must be specified.) |                  |                                     |     |     |     |     |      |      |                     |                       |                  |                        |                                   |             |     |           |     |                     |      |                                     |      |           |                                   |                                     |      |                           |     |     |     |                                     |     |      |      |      |      |      |      |
| <b>7. Time Delay Curve:</b><br>0 = Instantaneous      10 = AC high inrush (Motor start) <b>Notes:</b> Curves may be specified with increased pulse tolerance for 1/2 cycle by adding "P" after curve. See delay curve section for availability and details.<br>2 = Standard delay      12 = AC high inrush version of #2<br>3 = Short delay      13 = AC high inrush version of #3<br>53 = DC high inrush      34 = Combination AC/DC standard delay  |                                     |                  |                                     |     |     |     |     |      |      |                     |                       |                  |                        |                                   |             |     |           |     |                     |      |                                     |      |           |                                   |                                     |      |                           |     |     |     |                                     |     |      |      |      |      |      |      |
| <b>8. Amp Rating:</b><br><table border="0"> <tr> <td>0.20</td><td>0.50</td><td>1.0</td><td>2.0</td><td>3.0</td><td>4.0</td><td>6.0</td><td>7.5</td><td>9.0</td><td>11.0</td><td>15.0</td><td>25.0</td><td>35.0</td><td>45.0</td><td rowspan="2">Consult factory for other values.</td> </tr> <tr> <td>0.25</td><td>0.75</td><td>1.5</td><td>2.5</td><td>3.5</td><td>5.0</td><td>7.0</td><td>8.0</td><td>10.0</td><td>12.0</td><td>20.0</td><td>30.0</td><td>40.0</td><td>50.0</td> </tr> </table>   |                                     |                  |                                     |     |     |     |     |      |      | 0.20                | 0.50                  | 1.0              | 2.0                    | 3.0                               | 4.0         | 6.0 | 7.5       | 9.0 | 11.0                | 15.0 | 25.0                                | 35.0 | 45.0      | Consult factory for other values. | 0.25                                | 0.75 | 1.5                       | 2.5 | 3.5 | 5.0 | 7.0                                 | 8.0 | 10.0 | 12.0 | 20.0 | 30.0 | 40.0 | 50.0 |
| 0.20  | 0.50                                | 1.0              | 2.0                                 | 3.0 | 4.0 | 6.0 | 7.5 | 9.0  | 11.0 | 15.0                | 25.0                  | 35.0             | 45.0                   | Consult factory for other values. |             |     |           |     |                     |      |                                     |      |           |                                   |                                     |      |                           |     |     |     |                                     |     |      |      |      |      |      |      |
| 0.25  | 0.75                                | 1.5              | 2.5                                 | 3.5 | 5.0 | 7.0 | 8.0 | 10.0 | 12.0 | 20.0                | 30.0                  | 40.0             | 50.0                   |                                   |             |     |           |     |                     |      |                                     |      |           |                                   |                                     |      |                           |     |     |     |                                     |     |      |      |      |      |      |      |
| <b>9. VDE Approval: (See Table 2 for auxiliary switch ratings)</b><br>Blank = UL/CSA approved breaker      V2 = VDE approved breaker with 5 amp VDE auxiliary switch<br>V = VDE approved breaker without auxiliary switch      V3 = VDE approved breaker with 0.1 amp VDE auxiliary switch<br>V1 = VDE approved breaker with 10 amp VDE auxiliary switch  |                                     |                  |                                     |     |     |     |     |      |      |                     |                       |                  |                        |                                   |             |     |           |     |                     |      |                                     |      |           |                                   |                                     |      |                           |     |     |     |                                     |     |      |      |      |      |      |      |

**Stock Items - We recommend that our authorized distributors stock the following items for immediate delivery.**

|              |              |              |              |               |              |               |               |
|--------------|--------------|--------------|--------------|---------------|--------------|---------------|---------------|
| W67-A2Q12-5  | W67-X2Q12-5  | W67-X2Q13-1  | W67-X2Q13-25 | W67-X2Q52-15  | W68-X2Q12-5  | W68-X2Q12-30  | W69-X2Q12-15  |
| W67-A2Q12-10 | W67-X2Q12-7  | W67-X2Q13-2  | W67-X2Q13-30 | W67-X2Q52-20  | W68-X2Q12-7  | W68-X2Q13-15  | W69-X2Q12-20  |
| W67-X2Q10-3  | W67-X2Q12-10 | W67-X2Q13-3  | W67-X2Q50-5  | W67-X2Q52-30  | W68-X2Q12-10 | W68-X2Q110-10 | W69-X2Q12-25  |
| W67-X2Q10-5  | W67-X2Q12-15 | W67-X2Q13-10 | W67-X2Q50-10 | W67-X2Q110-15 | W68-X2Q12-15 | W68-X2Q110-20 | W69-X2Q12-30  |
| W67-X2Q12-2  | W67-X2Q12-20 | W67-X2Q13-15 | W67-X2Q52-5  | W67-X2Q110-20 | W68-X2Q12-20 | W69-X2Q12-5   | W69-X2Q110-20 |
| W67-X2Q12-3  | W67-X2Q12-30 | W67-X2Q13-20 | W67-X2Q52-10 | W68-X2Q12-3   | W68-X2Q12-25 | W69-X2Q12-10  | W69-X2Q110-30 |

**Ordering Information**

**W9 Series**

| Typical Part No. ▶  |                                     | W                | 91-                                 | X   | 1    | 1    | 2-   | 20   |                     |                                   |                  |                        |     |             |      |           |      |                     |                                   |                                     |     |           |     |                                     |     |                           |      |      |  |                                     |     |     |     |     |      |      |      |      |  |
|---|-------------------------------------|------------------|-------------------------------------|-----|------|------|------|------|---------------------|-----------------------------------|------------------|------------------------|-----|-------------|------|-----------|------|---------------------|-----------------------------------|-------------------------------------|-----|-----------|-----|-------------------------------------|-----|---------------------------|------|------|--|-------------------------------------|-----|-----|-----|-----|------|------|------|------|--|
| <b>1. Circuit Breaker Mounting:</b><br>W = #6-32 mounting threads.      M = M3.0 x 0.5 mounting threads.  |                                     |                  |                                     |     |      |      |      |      |                     |                                   |                  |                        |     |             |      |           |      |                     |                                   |                                     |     |           |     |                                     |     |                           |      |      |  |                                     |     |     |     |     |      |      |      |      |  |
| <b>2. Number of Poles:</b><br>91 = Single pole      92 = Two pole      93 = Three pole      94 = Four pole  |                                     |                  |                                     |     |      |      |      |      |                     |                                   |                  |                        |     |             |      |           |      |                     |                                   |                                     |     |           |     |                                     |     |                           |      |      |  |                                     |     |     |     |     |      |      |      |      |  |
| <b>3. Circuit Function: (Only X is VDE approved)</b><br>A = Series trip with auxiliary switch (.093" QC)      X = Series trip   |                                     |                  |                                     |     |      |      |      |      |                     |                                   |                  |                        |     |             |      |           |      |                     |                                   |                                     |     |           |     |                                     |     |                           |      |      |  |                                     |     |     |     |     |      |      |      |      |  |
| <b>4. Actuator: (One actuator per pole):</b><br>1 = Black toggle      2 = White toggle  |                                     |                  |                                     |     |      |      |      |      |                     |                                   |                  |                        |     |             |      |           |      |                     |                                   |                                     |     |           |     |                                     |     |                           |      |      |  |                                     |     |     |     |     |      |      |      |      |  |
| <b>5. Maximum Line Voltage: (See Table 1 for current ranges)</b><br><table border="0"> <tr> <td><b>UL/CSA TYPES</b></td> <td>1 = 277VAC, 50/60 Hz.</td> <td><b>VDE TYPES</b></td> <td>1 = 250VAC, 415/240VAC</td> </tr> <tr> <td></td> <td>2 = 277/480</td> <td></td> <td>5 = 65VDC</td> </tr> <tr> <td></td> <td>3 = 250VAC, 400 Hz.</td> <td></td> <td>7 = AC/DC 250VAC, 415/240VAC, 65VDC</td> </tr> <tr> <td></td> <td>5 = 65VDC</td> <td></td> <td>(Delay curve 34 must be specified.)</td> </tr> <tr> <td></td> <td>7 = AC/DC 277VAC or 65VDC</td> <td></td> <td></td> </tr> <tr> <td></td> <td>(Delay curve 34 must be specified.)</td> <td></td> <td></td> </tr> </table> |                                     |                  |                                     |     |      |      |      |      | <b>UL/CSA TYPES</b> | 1 = 277VAC, 50/60 Hz.             | <b>VDE TYPES</b> | 1 = 250VAC, 415/240VAC |     | 2 = 277/480 |      | 5 = 65VDC |      | 3 = 250VAC, 400 Hz. |                                   | 7 = AC/DC 250VAC, 415/240VAC, 65VDC |     | 5 = 65VDC |     | (Delay curve 34 must be specified.) |     | 7 = AC/DC 277VAC or 65VDC |      |      |  | (Delay curve 34 must be specified.) |     |     |     |     |      |      |      |      |  |
| <b>UL/CSA TYPES</b>   | 1 = 277VAC, 50/60 Hz.               | <b>VDE TYPES</b> | 1 = 250VAC, 415/240VAC              |     |      |      |      |      |                     |                                   |                  |                        |     |             |      |           |      |                     |                                   |                                     |     |           |     |                                     |     |                           |      |      |  |                                     |     |     |     |     |      |      |      |      |  |
|   | 2 = 277/480                         |                  | 5 = 65VDC                           |     |      |      |      |      |                     |                                   |                  |                        |     |             |      |           |      |                     |                                   |                                     |     |           |     |                                     |     |                           |      |      |  |                                     |     |     |     |     |      |      |      |      |  |
|   | 3 = 250VAC, 400 Hz.                 |                  | 7 = AC/DC 250VAC, 415/240VAC, 65VDC |     |      |      |      |      |                     |                                   |                  |                        |     |             |      |           |      |                     |                                   |                                     |     |           |     |                                     |     |                           |      |      |  |                                     |     |     |     |     |      |      |      |      |  |
|   | 5 = 65VDC                           |                  | (Delay curve 34 must be specified.) |     |      |      |      |      |                     |                                   |                  |                        |     |             |      |           |      |                     |                                   |                                     |     |           |     |                                     |     |                           |      |      |  |                                     |     |     |     |     |      |      |      |      |  |
|   | 7 = AC/DC 277VAC or 65VDC           |                  |                                     |     |      |      |      |      |                     |                                   |                  |                        |     |             |      |           |      |                     |                                   |                                     |     |           |     |                                     |     |                           |      |      |  |                                     |     |     |     |     |      |      |      |      |  |
|   | (Delay curve 34 must be specified.) |                  |                                     |     |      |      |      |      |                     |                                   |                  |                        |     |             |      |           |      |                     |                                   |                                     |     |           |     |                                     |     |                           |      |      |  |                                     |     |     |     |     |      |      |      |      |  |
| <b>6. Time Delay Curve:</b><br>0 = Instantaneous      10 = AC high inrush (Motor start) <b>Notes:</b> Curves may be specified with increased pulse tolerance for 1/2 cycle by adding "P" after curve. See delay curve section for availability and details.<br>2 = Standard delay      12 = AC high inrush version of #2<br>3 = Short delay      13 = AC high inrush version of #3<br>53 = DC high inrush      34 = Combination AC/DC standard delay  |                                     |                  |                                     |     |      |      |      |      |                     |                                   |                  |                        |     |             |      |           |      |                     |                                   |                                     |     |           |     |                                     |     |                           |      |      |  |                                     |     |     |     |     |      |      |      |      |  |
| <b>7. Amp Rating:</b><br><table border="0"> <tr> <td>0.20</td><td>0.75</td><td>2.0</td><td>3.5</td><td>6.0</td><td>8.0</td><td>11.0</td><td>20.0</td><td>35.0</td><td>50.0</td><td rowspan="3">Consult factory for other values.</td> </tr> <tr> <td>0.25</td><td>1.0</td><td>2.5</td><td>4.0</td><td>7.0</td><td>9.0</td><td>12.0</td><td>25.0</td><td>40.0</td><td></td> </tr> <tr> <td>0.50</td><td>1.5</td><td>3.0</td><td>5.0</td><td>7.5</td><td>10.0</td><td>15.0</td><td>30.0</td><td>45.0</td><td></td> </tr> </table>   |                                     |                  |                                     |     |      |      |      |      | 0.20                | 0.75                              | 2.0              | 3.5                    | 6.0 | 8.0         | 11.0 | 20.0      | 35.0 | 50.0                | Consult factory for other values. | 0.25                                | 1.0 | 2.5       | 4.0 | 7.0                                 | 9.0 | 12.0                      | 25.0 | 40.0 |  | 0.50                                | 1.5 | 3.0 | 5.0 | 7.5 | 10.0 | 15.0 | 30.0 | 45.0 |  |
| 0.20  | 0.75                                | 2.0              | 3.5                                 | 6.0 | 8.0  | 11.0 | 20.0 | 35.0 | 50.0                | Consult factory for other values. |                  |                        |     |             |      |           |      |                     |                                   |                                     |     |           |     |                                     |     |                           |      |      |  |                                     |     |     |     |     |      |      |      |      |  |
| 0.25  | 1.0                                 | 2.5              | 4.0                                 | 7.0 | 9.0  | 12.0 | 25.0 | 40.0 |                     |                                   |                  |                        |     |             |      |           |      |                     |                                   |                                     |     |           |     |                                     |     |                           |      |      |  |                                     |     |     |     |     |      |      |      |      |  |
| 0.50  | 1.5                                 | 3.0              | 5.0                                 | 7.5 | 10.0 | 15.0 | 30.0 | 45.0 |                     |                                   |                  |                        |     |             |      |           |      |                     |                                   |                                     |     |           |     |                                     |     |                           |      |      |  |                                     |     |     |     |     |      |      |      |      |  |
| <b>8. VDE Approval: (See Table 2 for auxiliary switch ratings)</b><br>Blank = UL/CSA approved breaker      V2 = VDE approved breaker with 5 amp VDE auxiliary switch<br>V = VDE approved breaker without auxiliary switch      V3 = VDE approved breaker with 0.1 amp VDE auxiliary switch<br>V1 = VDE approved breaker with 10 amp VDE auxiliary switch  |                                     |                  |                                     |     |      |      |      |      |                     |                                   |                  |                        |     |             |      |           |      |                     |                                   |                                     |     |           |     |                                     |     |                           |      |      |  |                                     |     |     |     |     |      |      |      |      |  |

**Stock Items - We recommend that our authorized distributors stock the following items for immediate delivery.**

|             |             |             |              |             |              |              |              |
|-------------|-------------|-------------|--------------|-------------|--------------|--------------|--------------|
| W91-X112-1  | W91-X112-15 | W91-X113-15 | W91-X152-40  | W92-X112-5  | W92-X112-30  | W92-X1110-30 | W93-X112-30  |
| W91-X112-2  | W91-X112-20 | W91-X150-5  | W91-X152-50  | W92-X112-7  | W92-X112-40  | W93-X112-5   | W93-X112-40  |
| W91-X112-3  | W91-X112-40 | W91-X152-10 | W91-X1110-20 | W92-X112-10 | W92-X112-50  | W93-X112-10  | W93-X112-50  |
| W91-X112-5  | W91-X112-50 | W91-X152-15 | W92-X112-1   | W92-X112-15 | W92-X113-15  | W93-X112-15  | W93-X1110-20 |
| W91-X112-7  | W91-X113-5  | W91-X152-20 | W92-X112-2   | W92-X112-20 | W92-X113-20  | W93-X112-20  | W93-X1110-30 |
| W91-X112-10 | W91-X113-10 | W91-X152-30 | W92-X112-3   | W92-X112-25 | W92-X1110-20 | W93-X112-25  |              |

**Outline Dimensions - Toggle Actuator Models.**

**W6 Series**



**Panel Mounting Cutout**

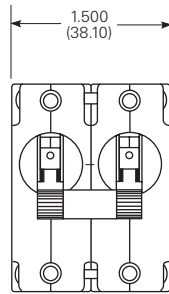


**W6 Series**

**1 Pole**



**2 Pole**



**3 Pole**



**4 Pole**



**Note:**  
Multi-pole models furnished with separate handle tie hardware.

**VDE Models W/Screw Terminals**

**UL/CSA Models W/Screw Terminals**

**UL/CSA/VDE Models W/Aux. Switch**

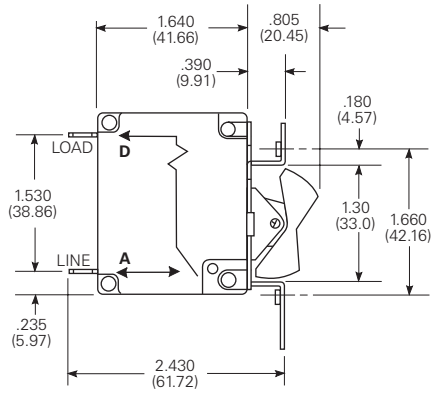


**Notes:**

- Terminal protrusion dimensions are referenced from back of mounting panel.
- Main terminals are male quick connect type .250 (6.35) wide x .031 (.79) thick x .377 (9.58) long. Optional 8-32 x .250 (6.35) or 10-32 x .250 (6.35) screw type.
- Panel mounting cutout detail mtg. detail tol.: ± .005 (.13) unless noted. Add additional cutouts to correspond to number of poles. Outline drawing tolerance ± .015 (.38) unless noted. Dimensions in brackets ( ) are in millimeters.

**Outline Dimensions - Rocker Actuator Models**

**W6 Series**



**Panel Mounting Cutout**



**VDE Rocker Marking**



**Notes:**

1. Outline drawing tolerance  $\pm .015 (.38)$  unless noted. Dimensions in brackets ( ) are in millimeters.
2. Mounting Detail Tol.:  $\pm .005 (.13)$  unless noted

**Outline Dimensions - Snap-in Mounted Models**

**W6 Series**



**Panel Mounting Cutout**



**Notes:**

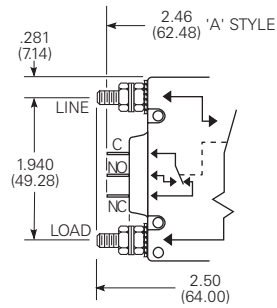
- Mounting Detail Tol.:  $\pm .005 (.13)$  unless noted  
 Panel Thickness: .047 (1.2) to .110 (2.8)

**Outline Dimensions**

**W9 Series  
Series Trip Model**



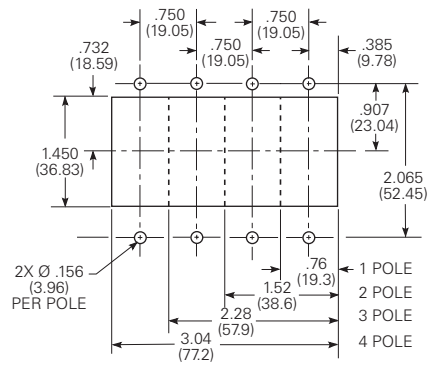
**Series Trip Model  
With Common Enclosed Auxiliary Switch**



**Series Trip Model**



**Panel Mounting Cutout Detail**



**Notes:**

1. Terminal protrusion dimensions are referenced from the back of the mounting panel.
2. Mounting detail tolerance ±.005 (13) unless noted.
3. Outline drawing tolerance ±.015 (.38) unless noted. Dimensions in brackets ( ) are in millimeters.

Компания «Life Electronics» занимается поставками электронных компонентов импортного и отечественного производства от производителей и со складов крупных дистрибьюторов Европы, Америки и Азии.

С конца 2013 года компания активно расширяет линейку поставок компонентов по направлению коаксиальный кабель, кварцевые генераторы и конденсаторы (керамические, пленочные, электролитические), за счёт заключения дистрибьюторских договоров

Мы предлагаем:

- Конкурентоспособные цены и скидки постоянным клиентам.
- Специальные условия для постоянных клиентов.
- Подбор аналогов.
- Поставку компонентов в любых объемах, удовлетворяющих вашим потребностям.
- Приемлемые сроки поставки, возможна ускоренная поставка.
- Доставку товара в любую точку России и стран СНГ.
- Комплексную поставку.
- Работу по проектам и поставку образцов.
- Формирование склада под заказчика.
- Сертификаты соответствия на поставляемую продукцию (по желанию клиента).
- Тестирование поставляемой продукции.
- Поставку компонентов, требующих военную и космическую приемку.
- Входной контроль качества.
- Наличие сертификата ISO.

В составе нашей компании организован Конструкторский отдел, призванный помогать разработчикам, и инженерам.

Конструкторский отдел помогает осуществить:

- Регистрацию проекта у производителя компонентов.
- Техническую поддержку проекта.
- Защиту от снятия компонента с производства.
- Оценку стоимости проекта по компонентам.
- Изготовление тестовой платы монтаж и пусконаладочные работы.



Тел: +7 (812) 336 43 04 (многоканальный)

Email: [org@lifeelectronics.ru](mailto:org@lifeelectronics.ru)