



# **MCP9700 Thermistor Demo Board User's Guide**

---

**Note the following details of the code protection feature on Microchip devices:**

- Microchip products meet the specification contained in their particular Microchip Data Sheet.
- Microchip believes that its family of products is one of the most secure families of its kind on the market today, when used in the intended manner and under normal conditions.
- There are dishonest and possibly illegal methods used to breach the code protection feature. All of these methods, to our knowledge, require using the Microchip products in a manner outside the operating specifications contained in Microchip's Data Sheets. Most likely, the person doing so is engaged in theft of intellectual property.
- Microchip is willing to work with the customer who is concerned about the integrity of their code.
- Neither Microchip nor any other semiconductor manufacturer can guarantee the security of their code. Code protection does not mean that we are guaranteeing the product as "unbreakable."

Code protection is constantly evolving. We at Microchip are committed to continuously improving the code protection features of our products. Attempts to break Microchip's code protection feature may be a violation of the Digital Millennium Copyright Act. If such acts allow unauthorized access to your software or other copyrighted work, you may have a right to sue for relief under that Act.

---

Information contained in this publication regarding device applications and the like is provided only for your convenience and may be superseded by updates. It is your responsibility to ensure that your application meets with your specifications. MICROCHIP MAKES NO REPRESENTATIONS OR WARRANTIES OF ANY KIND WHETHER EXPRESS OR IMPLIED, WRITTEN OR ORAL, STATUTORY OR OTHERWISE, RELATED TO THE INFORMATION, INCLUDING BUT NOT LIMITED TO ITS CONDITION, QUALITY, PERFORMANCE, MERCHANTABILITY OR FITNESS FOR PURPOSE. Microchip disclaims all liability arising from this information and its use. Use of Microchip devices in life support and/or safety applications is entirely at the buyer's risk, and the buyer agrees to defend, indemnify and hold harmless Microchip from any and all damages, claims, suits, or expenses resulting from such use. No licenses are conveyed, implicitly or otherwise, under any Microchip intellectual property rights.

**Trademarks**

The Microchip name and logo, the Microchip logo, Accuron, dsPIC, KEELOQ, KEELOQ logo, MPLAB, PIC, PICmicro, PICSTART, rPIC and SmartShunt are registered trademarks of Microchip Technology Incorporated in the U.S.A. and other countries.

FilterLab, Linear Active Thermistor, MXDEV, MXLAB, SEEVAL, SmartSensor and The Embedded Control Solutions Company are registered trademarks of Microchip Technology Incorporated in the U.S.A.

Analog-for-the-Digital Age, Application Maestro, CodeGuard, dsPICDEM, dsPICDEM.net, dsPICworks, dsSPEAK, ECAN, ECONOMONITOR, FanSense, In-Circuit Serial Programming, ICSP, ICEPIC, Mindi, MiWi, MPASM, MPLAB Certified logo, MPLIB, MPLINK, mTouch, PICkit, PICDEM, PICDEM.net, PICTail, PIC<sup>32</sup> logo, PowerCal, PowerInfo, PowerMate, PowerTool, REAL ICE, rLAB, Select Mode, Total Endurance, UNI/O, WiperLock and ZENA are trademarks of Microchip Technology Incorporated in the U.S.A. and other countries.

SQTP is a service mark of Microchip Technology Incorporated in the U.S.A.

All other trademarks mentioned herein are property of their respective companies.

© 2008, Microchip Technology Incorporated, Printed in the U.S.A., All Rights Reserved.

 Printed on recycled paper.

**QUALITY MANAGEMENT SYSTEM**  
**CERTIFIED BY DNV**  
**== ISO/TS 16949:2002 ==**

*Microchip received ISO/TS-16949:2002 certification for its worldwide headquarters, design and wafer fabrication facilities in Chandler and Tempe, Arizona; Gresham, Oregon and design centers in California and India. The Company's quality system processes and procedures are for its PIC<sup>®</sup> MCUs and dsPIC<sup>®</sup> DSCs, KEELOQ<sup>®</sup> code hopping devices, Serial EEPROMs, microperipherals, nonvolatile memory and analog products. In addition, Microchip's quality system for the design and manufacture of development systems is ISO 9001:2000 certified.*



# MCP9700 THERMISTOR DEMO BOARD USER'S GUIDE

---

---

## Table of Contents

---

---

<b>Preface</b> .....	<b>1</b>
Introduction.....	1
Document Layout .....	1
Conventions Used in this Guide .....	2
Recommended Reading.....	3
The Microchip Web Site .....	3
Customer Support .....	3
Document Revision History .....	4
<b>Chapter 1. Product Overview</b>	
1.1 Introduction .....	5
1.2 What is the MCP9700 Thermistor Demo Board? .....	5
1.3 What the MCP9700 Thermistor Demo Board Kit Includes .....	5
<b>Chapter 2. Installation and Operation</b>	
2.1 Introduction .....	7
2.2 Getting Started .....	7
2.3 Configuring Board .....	9
<b>Appendix A. Schematic and Layouts</b>	
A.1 Introduction .....	13
A.2 Board Schematic - Page 1 .....	14
A.3 Board - Top Silk-screen Layer .....	15
A.4 Board - Top Layer .....	15
A.5 Board - Bottom Silk .....	16
A.6 Board - Bottom Layer .....	16
<b>Appendix B. Bill Of Materials (BOM)</b>	
<b>Worldwide Sales and Service</b> .....	<b>20</b>

# MCP9700 Thermistor Demo Board User's Guide

---

NOTES:

---

---

## Preface

---

---

### NOTICE TO CUSTOMERS

All documentation becomes dated, and this manual is no exception. Microchip tools and documentation are constantly evolving to meet customer needs, so some actual dialogs and/or tool descriptions may differ from those in this document. Please refer to our web site ([www.microchip.com](http://www.microchip.com)) to obtain the latest documentation available.

Documents are identified with a “DS” number. This number is located on the bottom of each page, in front of the page number. The numbering convention for the DS number is “DSXXXXA”, where “XXXX” is the document number and “A” is the revision level of the document.

For the most up-to-date information on development tools, see the MPLAB® IDE on-line help. Select the Help menu, and then Topics to open a list of available on-line help files.

## INTRODUCTION

This chapter contains general information that will be useful to know before using the MCP9700 Thermistor Demo Board. Items discussed in this chapter include:

- Document Layout
- Conventions Used in this Guide
- Recommended Reading
- The Microchip Web Site
- Customer Support
- Document Revision History

## DOCUMENT LAYOUT

This document describes how to use the MCP9700 Thermistor Demo Board as a development tool. The manual layout is as follows:

- **Chapter 1. “Product Overview”** – Important information about the MCP9700 Thermistor Demo Board.
- **Chapter 2. “Installation and Operation”** – This chapter includes a detailed description of each function of the demo board and instructions for how to begin using the board.
- **Appendix A. “Schematic and Layouts”** – Shows the schematic and layout diagrams for the MCP9700 Thermistor Demo Board.
- **Appendix B. “Bill Of Materials (BOM)”** – Lists the parts used to build the MCP9700 Thermistor Demo Board.

# MCP9700 Thermistor Demo Board User's Guide

## CONVENTIONS USED IN THIS GUIDE

This manual uses the following documentation conventions:

### DOCUMENTATION CONVENTIONS

Description	Represents	Examples
<b>Arial font:</b>		
Italic characters	Referenced books	<i>MPLAB<sup>®</sup> IDE User's Guide</i>
	Emphasized text	...is the <i>only</i> compiler...
Initial caps	A window	the Output window
	A dialog	the Settings dialog
	A menu selection	select Enable Programmer
Quotes	A field name in a window or dialog	"Save project before build"
Underlined, italic text with right angle bracket	A menu path	<u><i>File&gt;Save</i></u>
Bold characters	A dialog button	Click <b>OK</b>
	A tab	Click the <b>Power</b> tab
N'Rnnnn	A number in verilog format, where N is the total number of digits, R is the radix and n is a digit.	4'b0010, 2'hF1
Text in angle brackets < >	A key on the keyboard	Press <Enter>, <F1>
<b>Courier New font:</b>		
Plain Courier New	Sample source code	#define START
	Filenames	autoexec.bat
	File paths	c:\mcc18\h
	Keywords	_asm, _endasm, static
	Command-line options	-Opa+, -Opa-
	Bit values	0, 1
	Constants	0xFF, 'A'
Italic Courier New	A variable argument	<i>file.o</i> , where <i>file</i> can be any valid filename
Square brackets [ ]	Optional arguments	mcc18 [options] <i>file</i> [options]
Curly brackets and pipe character: {   }	Choice of mutually exclusive arguments; an OR selection	errorlevel {0 1}
Ellipses...	Replaces repeated text	var_name [, var_name...]
	Represents code supplied by user	void main (void) { ... }

## RECOMMENDED READING

This user's guide describes how to use the MCP9700 Thermistor Demo Board. The following Microchip documents are available on our web site ([www.microchip.com](http://www.microchip.com)) and recommended as supplemental reference resources.

**AN897, “Thermistor Temperature Sensing with MCP6SX2 PGAs”, DS00897**

Explains the functionality and design of this board's circuit. Contains measurement results.

**MCP9700 Data Sheet, “Low-Power Linear Active Thermistor™”, DS21942**

This data sheet provides detailed information regarding the MCP9700 product family.

**MCP6S21/2/6/8 Data Sheet, “Single-Ended, Rail-to-Rail I/O, Low Gain PGA”, DS21117**

Gives detailed information on the MCP6S21/2/3/6/8 Programmable Gain Amplifiers (PGA).

**MCP6S91/2/3 Data Sheet, “Single-Ended, Rail-to-Rail I/O, Low Gain PGA”, DS21908**

Gives detailed information on the MCP6S91/2/3 PGAs.

**PIC18F2455/2550/4455/4550 Data Sheet, “28/40/44-Pin, High-Performance, Enhanced Flash, USB Microcontrollers with nanoWatt Technology”, DS39632**

This data sheet provides detailed information regarding the PIC18F2455/2550/4455/4550 devices.

## THE MICROCHIP WEB SITE

Microchip provides online support via our web site at [www.microchip.com](http://www.microchip.com). This web site is used as a means to make files and information easily available to customers. Accessible by using your favorite internet browser, the web site contains the following information:

- **Product Support** – Data sheets and errata, application notes and sample programs, design resources, user's guides and hardware support documents, latest software releases and archived software
- **General Technical Support** – Frequently Asked Questions (FAQs), technical support requests, online discussion groups, Microchip consultant program member listing
- **Business of Microchip** – Product selector and ordering guides, latest Microchip press releases, listing of seminars and events, listings of Microchip sales offices, distributors and factory representatives

## CUSTOMER SUPPORT

Users of Microchip products can receive assistance through several channels:

- Distributor or Representative
- Local Sales Office
- Field Application Engineer (FAE)
- Technical Support
- Development Systems Information Line

Customers should contact their distributor, representative or field application engineer for support. Local sales offices are also available to help customers. A listing of sales offices and locations is included in the back of this document.

Technical support is available through the web site at: <http://support.microchip.com>

## DOCUMENT REVISION HISTORY

### Revision A (August 2008)

- Initial Release of this Document



---

---

## Chapter 1. Product Overview

---

---

### 1.1 INTRODUCTION

The following name and assembly number are found on the MCP9700 Thermistor Demo Board's Printed Circuit Board (PCB):

- 102-00156

This PCB goes by the following title:

- MCP9700 Thermistor Demo Board

This board is supported by AN897, "*Thermistor Temperature-Sensing with MCP6SX2 PGAs*", (DS00897). It uses a BC Components® 2322 640 55103 NTC thermistor to detect temperature. The circuit also includes a voltage divider and a MCP6S22 Programmable Gain Amplifier (PGA) and the MCP9700 Linear Active Thermistor.

- Kit Contents
- MCP9700 Thermistor Demo Board
- Associated Tools
- Initial Set-up

### 1.2 WHAT IS THE MCP9700 THERMISTOR DEMO BOARD?

The MCP9700 Thermistor Demo Board contains the analog circuitry to measure temperature. It uses BC Components' 2322 640 55103 NTC thermistor to convert temperature to resistance. The thermistor is placed in a voltage divider which converts resistance to voltage. This voltage is filtered and placed at the MCP6S22 Programmable Gain Amplifier's (PGA) CH0 input. The PGA gains and buffers the thermistor.

In addition, the board includes the MCP9700 Linear Active Thermistor. The MCP9700 outputs voltage proportional to temperature. A PIC18F2550 is used to both measure the voltage output of the MCP9700 and the MCP6S22 using an integrated 10-bit Analog to Digital Converter and communicate to a PC via USB interface.

Temperature can be datalogged using Microchip Thermal Management Software Graphical User Interface (GUI).

### 1.3 WHAT THE MCP9700 THERMISTOR DEMO BOARD KIT INCLUDES

- MCP9700 Thermistor Demo Board – An assembled and tested PCB (102-00156)
- Microchip Thermal Management Graphical User Interface
- Analog and Interface Products Demonstration Boards CD-ROM (DS21912)
  - MCP9700 Thermistor Demo Board User's Guide, (DS51753)

# MCP9700 Thermistor Demo Board User's Guide

---

---

NOTES:

---

---

## Chapter 2. Installation and Operation

---

---

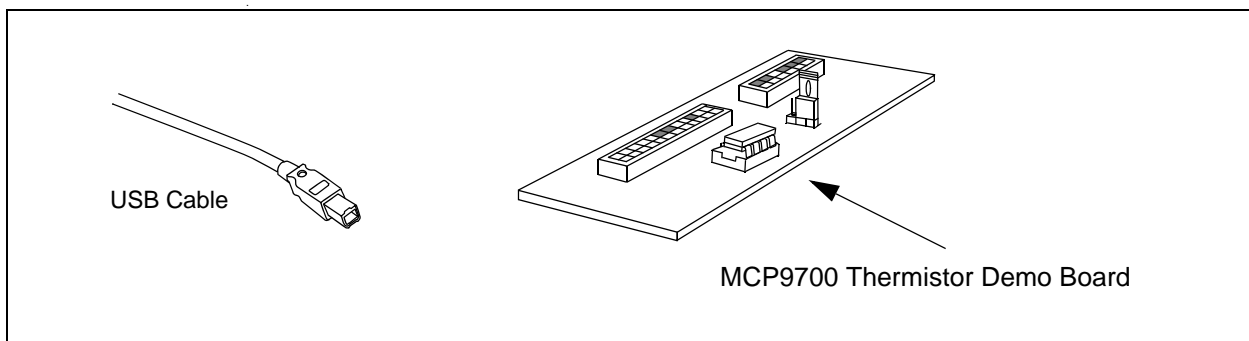
### 2.1 INTRODUCTION

The MCP9700 Thermistor Demo Board makes it easy to explore the operation of two thermistor applications using the MCP6S22 PGA and the MCP9700 Linear Active Thermistor. Items discussed in this chapter include:

- Configuring the MCP9700 Thermistor Demo Board
- Using the MCP9700 Thermistor Demo Board
- Using the Microchip Thermal Management GUI

### 2.2 GETTING STARTED

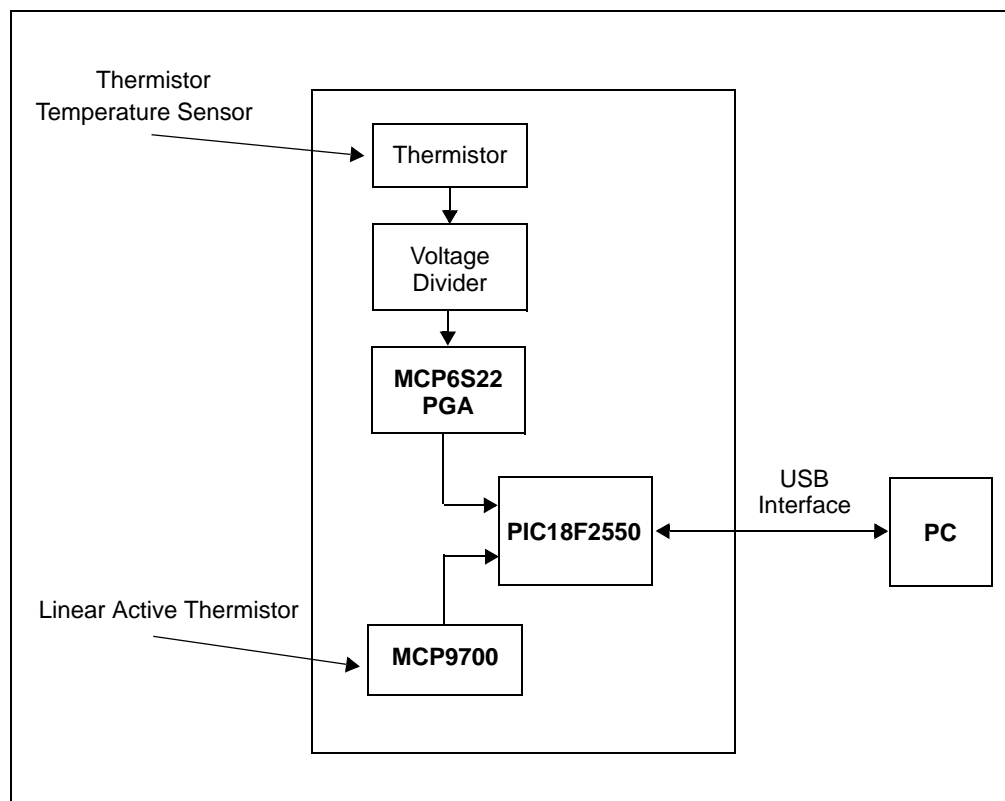
This section describes how to power up and interface with the MCP9700 Thermistor Demo Board, [Figure 2-1](#).



**FIGURE 2-1:** MCP9700 Thermistor Demo Board Block Diagram.

#### 2.2.1 Hardware Setup

1. The MCP9700 Thermistor Demo Board has a mini-USB connector for a PC interface. Connect the USB cable from the MCP9700 Thermistor Demo Board to a PC. The MCP9700 Thermistor Demo Board is fully powered and temperature can be measured.
2. Start the Thermal Management Software GUI for data logging or to evaluate the MCP9700 Thermistor Demo Board features.



**FIGURE 2-2:** MCP9700 Thermistor Demo Board Circuit Block Diagram.

The MCP9700 Thermistor Demo Board includes a Thermistor and Microchip's MCP9700 Linear Active Thermistor temperature sensors. The thermistor is biased using a resistive stack which can be adjusted using the user settable dip switches. The voltage across the thermistor is proportional to change in temperature. The thermistor output is gained and buffered using Microchip's MCP6S22 Programmable Gain Amplifier (PGA). The output of the PGA is directly connected to an Analog to Digital Converter. The MCP9700 output voltage is also directly connected to an ADC. The data from the ADC is sent to the PC using the USB interface.

The user can compare and evaluate both the standard thermistor solution and Microchip's Linear Active Thermistor solution using this MCP9700 Thermistor Demo Board.

## 2.3 CONFIGURING BOARD

### 2.3.1 Configuring Jumper JMP1 (select Thermistor or Rvar)

Figure 2-3 shows how jumper JMP1 configures the circuit. When the shorting bar is on the right side of jumper JMP1, the thermistor  $R_{TH}$  is connected to the circuit. When it is on the left side of jumper JMP1, the thermistor emulator  $R_{var}$  is connected to the circuit. Refer to Figure A.3 for the complete schematic.

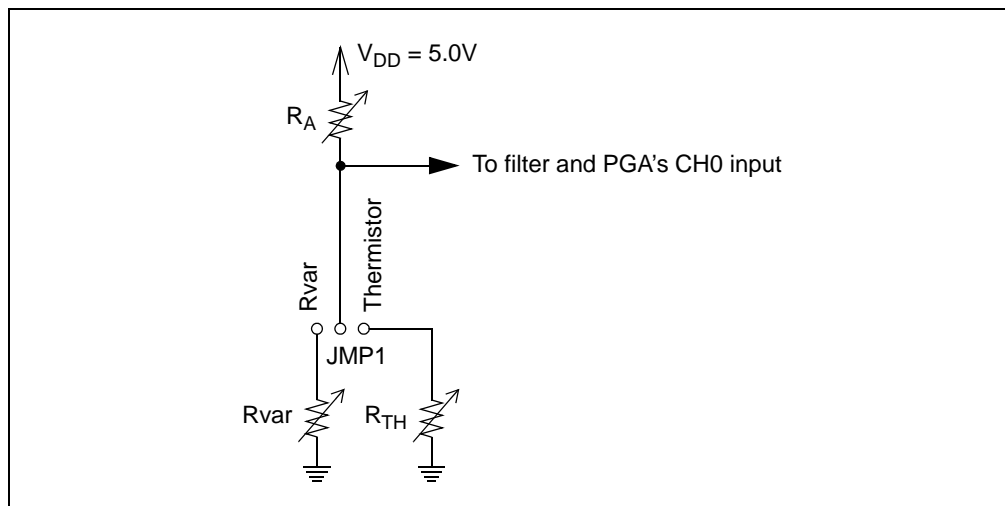


FIGURE 2-3: Simplified Jumper Circuit.

### 2.3.2 Configuring DIP Switch SW1 ( $R_A$ )

DIP switch  $SW_1$  and resistors  $R_1 - R_7$  in Figure 2-4 emulate the voltage divider resistor ( $R_A$  in Figure 2-3).  $R_1$  is placed in series with the others to prevent shorting the supplies together. These resistors produce a binary sequence of values between  $0.5\text{ k}\Omega$  and  $32.0\text{ k}\Omega$ .

Refer to Figure A.3 for the complete schematic.

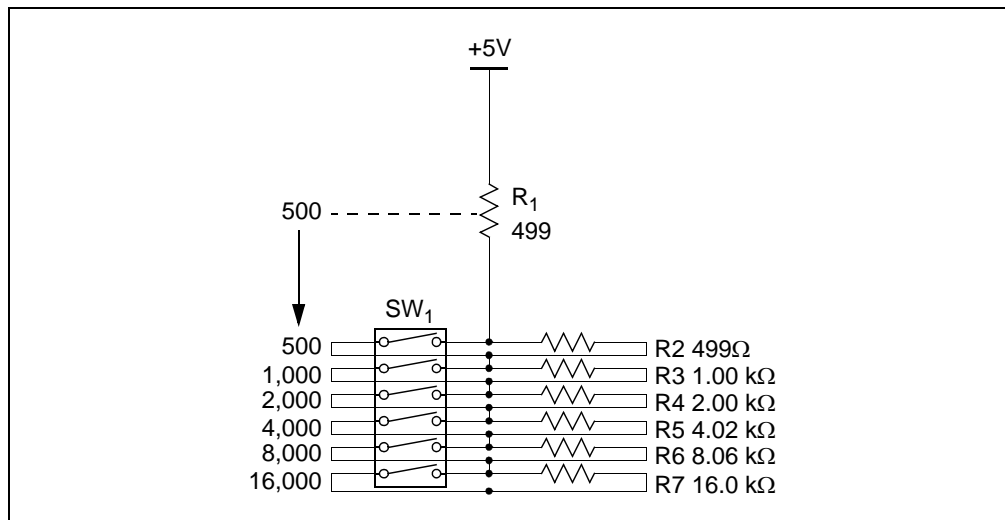


FIGURE 2-4:  $R_A$  Emulator.

Each resistor with its switch (in SW1) pointing to the right, away from the silk screen resistor values, is not added into the total for  $R_A$  (it shorts that resistor).

Each resistor with its switch (in SW1) pointing to the left, towards the silk screen resistor values, is added into the total for  $R_A$ .

As an example, if the top four switches are to the right, and the bottom two are to the left, then  $R_A$  is calculated as  $500 + 0 + 0 + 0 + 0 + 8,000 + 16,000 = 24,500\Omega$ .

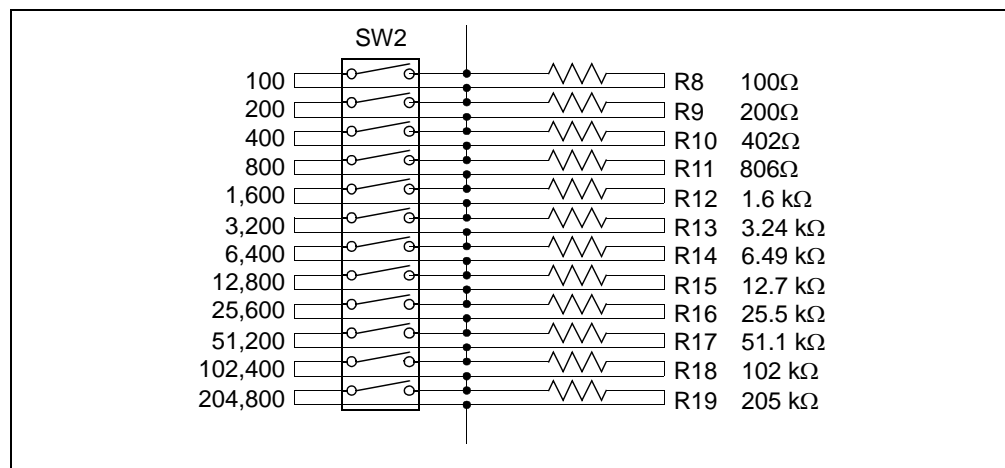
### 2.3.3 Using the Thermistor ( $R_{TH}$ )

In **Appendix A. "Schematic and Layouts"**,  $R_{21}$  is the thermistor ( $R_{TH}$  in [Figure 2-3](#)). The resistance changes depending on temperature; see AN897, "Thermistor Temperature Sensing with MCP6SX2 PGAs" (DS00897).

### 2.3.4 Configuring DIP Switch SW2 ( $R_{TH}$ Emulator, $R_{var}$ )

DIP switch SW2 and resistors  $R_8 - R_{19}$  in [Figure 2-5](#) comprise the thermistor emulator ( $R_{var}$  in [Figure 2-3](#)).  $R_{var}$  produces a binary sequence of resistances between  $0\Omega$  and  $409.5\text{ k}\Omega$ .

Refer to [Figure A.3](#) for the complete schematic.



**FIGURE 2-5:**  $R_{TH}$  Emulator ( $R_{var}$ ).

Each resistor with its switch (in SW2) pointing to the right, away from the silk screen resistor values, is not added into the total for  $R_A$  (it shorts that resistor).

Each resistor with its switch (in SW) pointing to the left, towards the silk screen resistor values, is added into the total for  $R_A$ .

As an example, if the top ten switches are to the right, and the bottom two are to the left, then  $R_{var}$  is calculated as  $0 + 0 + \dots + 0 + 102,400 + 204,800 = 307,200\Omega$ .

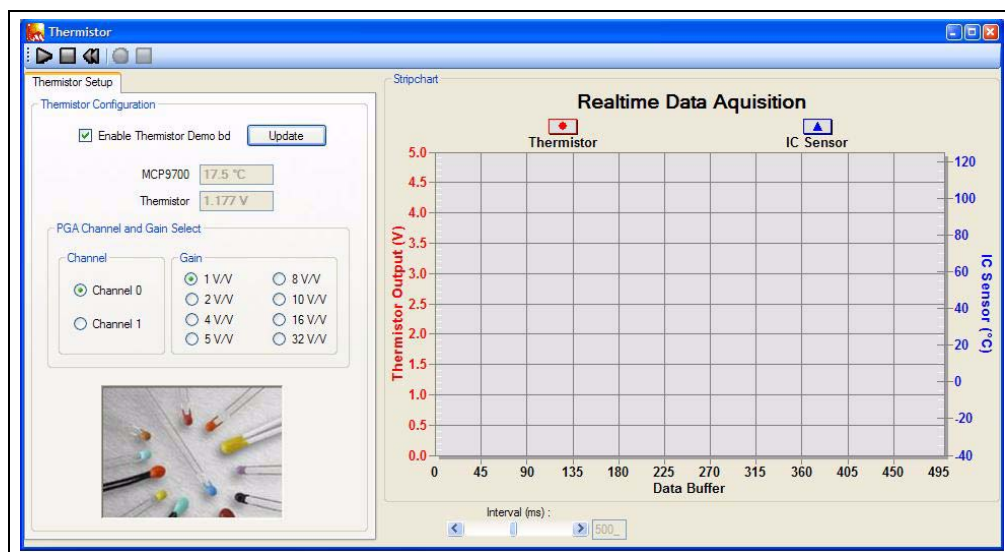
AN897, "Thermistor Temperature Sensing with MCP6SX2 PGAs" (DS00897) contains information on converting this resistance to the equivalent, nominal thermistor temperature, and vice versa.

### 2.3.5 Using the MCP9700

The MCP9700 Linear Active Thermistor is a temperature sensor which outputs voltage directly proportional to change in temperature. This sensor provides a 10 mV per degree Celsius temperature coefficient and it measures temperature from  $-40^{\circ}\text{C}$  to  $+125^{\circ}\text{C}$ , see datasheet (DS21942) for details.

## 2.3.6 Microchip Thermal Management GUI

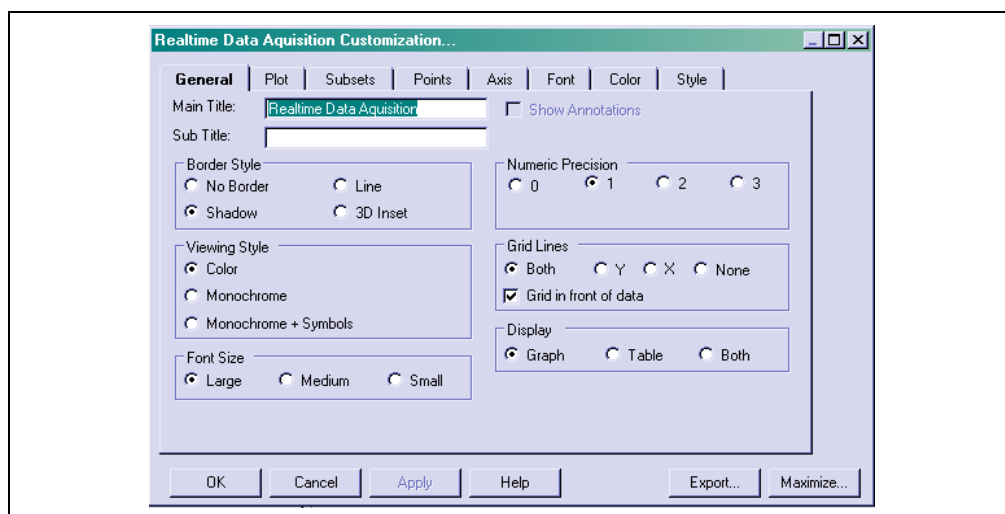
The Microchip Thermal Management Graphical User Interface is an easy to use software tool which allows users to evaluate the MCP9700 Thermistor Demo Board and sensor features, as displayed in [Figure 2-6](#).



**FIGURE 2-6:** Microchip Thermal Management GUI.

Once the hardware is connected, the software recognizes the device ID and displays the corresponding GUI for the MCP9700 Thermistor Demo Board. This tool enables the user to evaluate the demo board features and perform temperature datalog. The black “Play”, “Stop”, and “Reset” icons can be used to perform continuous datalog. And the red “Record” icon enables the user to datalog to an external file. The logging interval can be adjusted using the Interval Scroll bar from 100 ms to 1000 ms.

The Real-time Data Acquisition charting tool can be customized by double clicking the chart, as shown in [Figure 2-7](#). Additional options are available by right clicking the chart. The users can also zoom into a specific plot range by clicking and dragging the section.



**FIGURE 2-7:** Chart Setup Options.

# MCP9700 Thermistor Demo Board User's Guide

---

---

NOTES:





# MCP9700 THERMISTOR DEMO BOARD USER'S GUIDE

---

---

## Appendix A. Schematic and Layouts

---

---

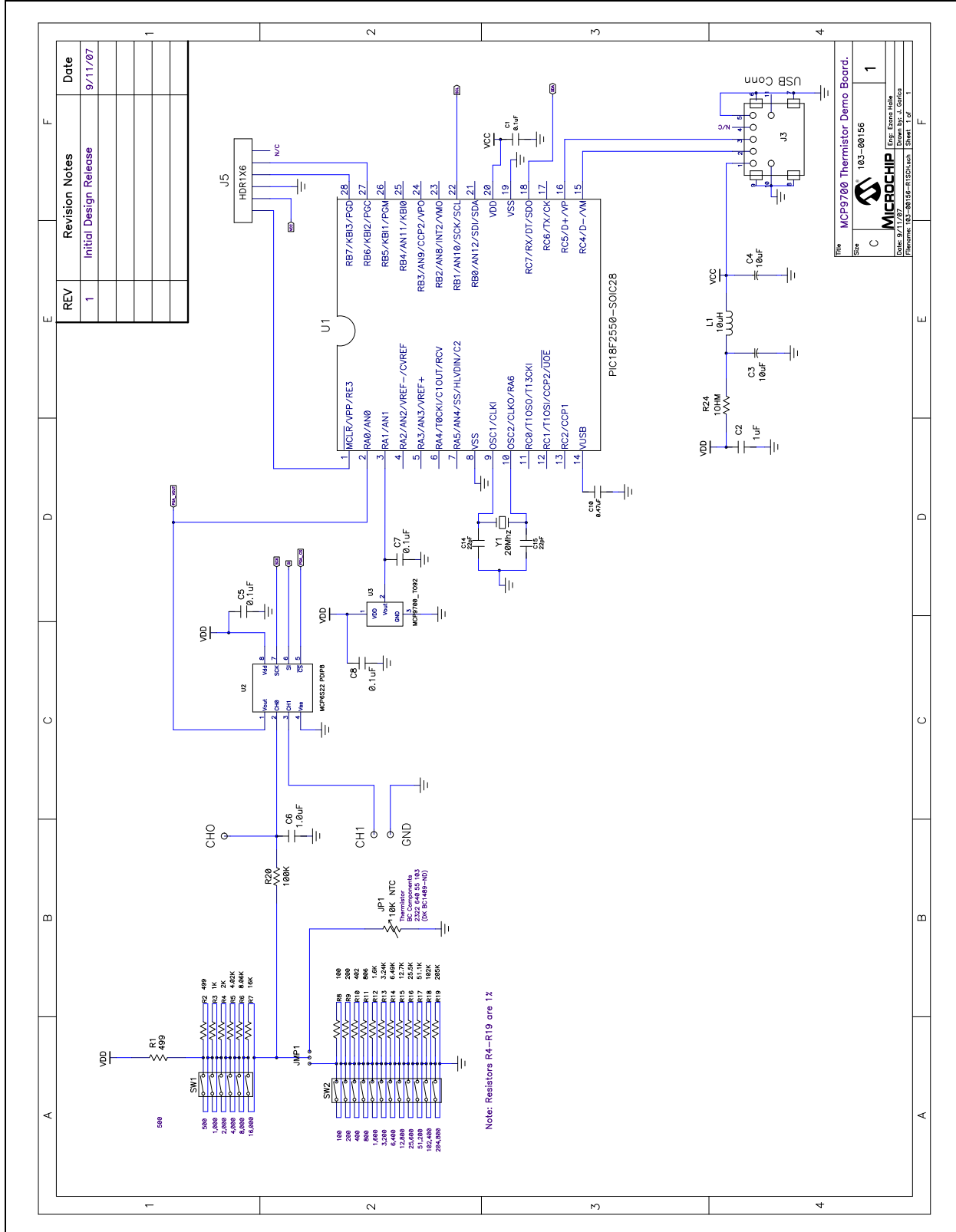
### A.1 INTRODUCTION

This appendix contains the following schematics and layouts for the MCP9700 Thermistor Demo Board:

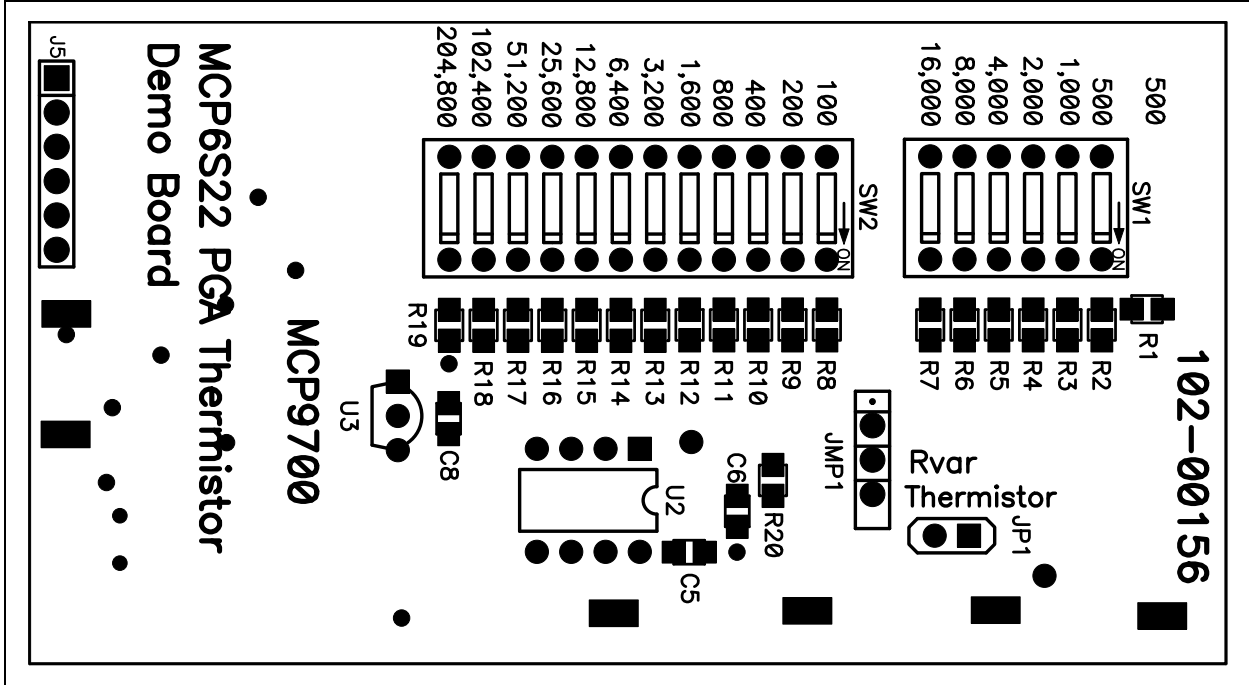
- Board Schematic
- Board - Top Layer
- Board - Silk-screen Layer
- Board - Bottom Layer

# MCP9700 Thermistor Demo Board User's Guide

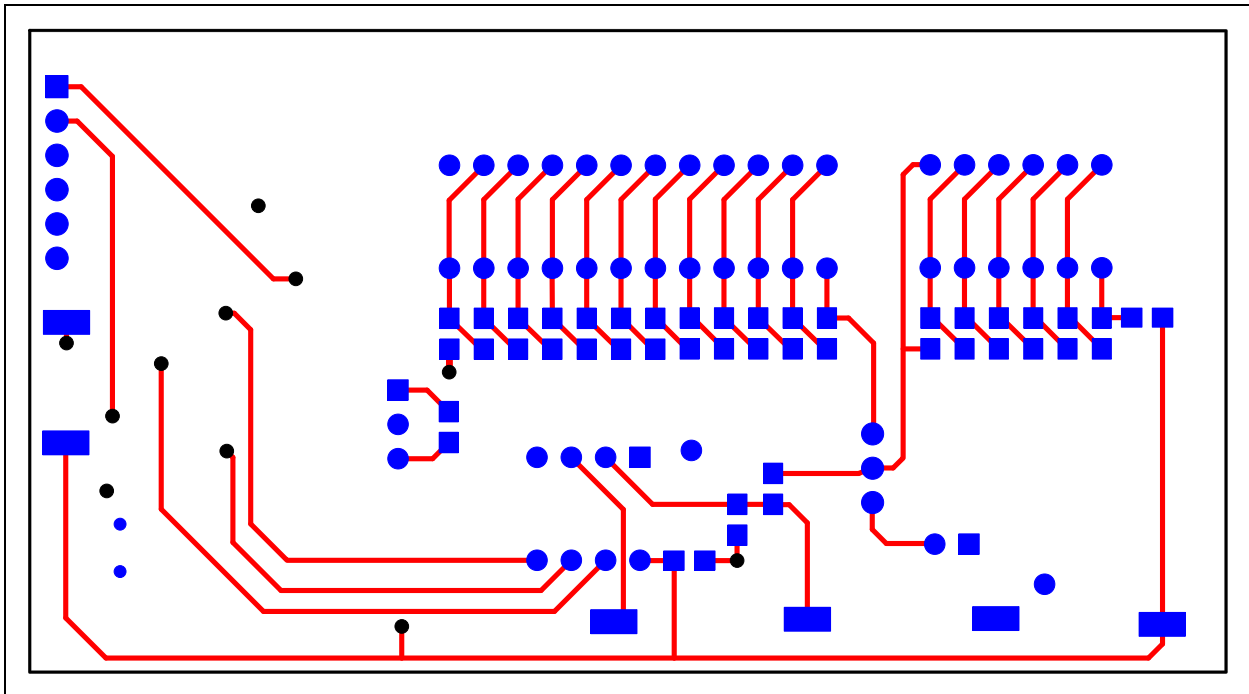
## A.2 BOARD SCHEMATIC - PAGE 1



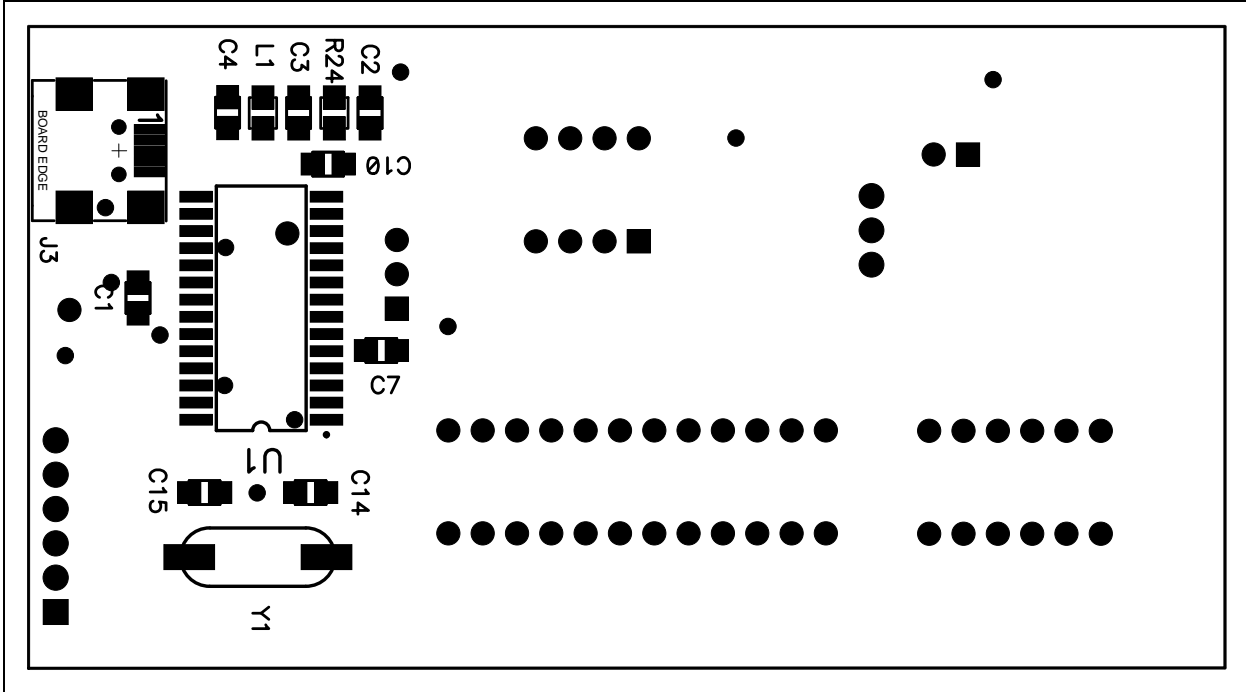
## A.3 BOARD - TOP SILK-SCREEN LAYER



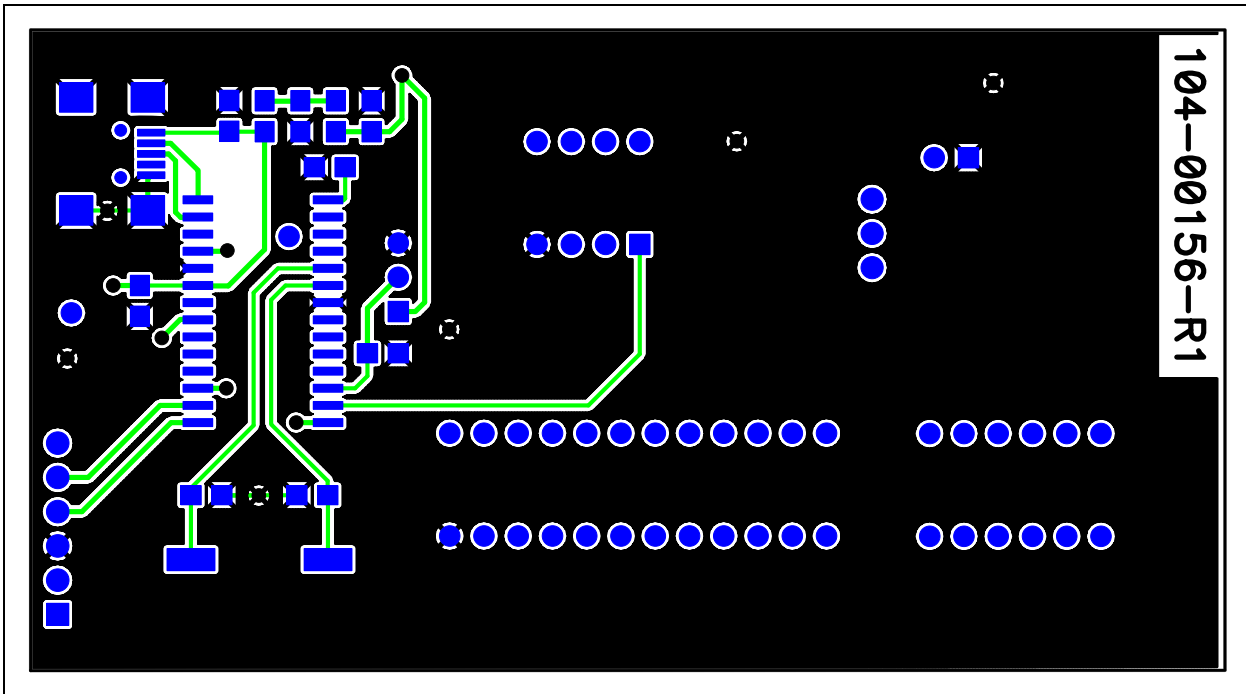
## A.4 BOARD - TOP LAYER



A.5 BOARD - BOTTOM SILK



A.6 BOARD - BOTTOM LAYER



## Appendix B. Bill Of Materials (BOM)

**TABLE B-1: BILL OF MATERIALS**

Qty	Reference	Description	Manufacturer	Part Number
1	(for JMP1)	Shunt - SOCKET, SHORT BLKS W TAB BLK	AMP <sup>®</sup> /Tyco Electronics	881545-2
1	(for U1)	CONN IC SOCKET 8POS DIP TIN	AMP/Tyco Electronics	2-641260-1
4	C1,C5,C7,C8	CAP .1UF 25V CERAMIC X7R 0805	Panasonic <sup>®</sup> - ECG	ECJ-2VB1E104K
1	C10	CAP .47UF 16V CERAMIC X7R 0805	Panasonic - ECG	ECJ-2YB1C474K
2	C14,C15	CAP 22PF 50V CERM CHIP 0805 SMD	Panasonic - ECG	ECJ-2VC1H220J
2	C2,C6	CAP 1.0UF 16V CERAMIC X7R 0805	Kemet <sup>®</sup> Electronics Corp	C0805C105K4RACTU
2	C3,C4	CAP 10UF 10V CERAMIC F 0805	Panasonic - ECG	ECJ-2FF1A106Z
6	CH0,CH1,GND, VDD	PC TEST POINT COMPACT SMT	Keystone Electronics <sup>®</sup>	5016
4	EA. Corner	BUMPON TALL TAPER SQ .50X.23 BK (Package comes in 64pcs per unit )	3M	SJ-5518 (BLACK)
1	J3	CONN RECEPT MINI USB2.0 5POS (mini USB)	Hirose Electronic Co Ltd	UX60-MB-5ST
	J5	"DO NOT POPULATE" CONN HEADER VERT 6POS .100 TIN	Tyco <sup>®</sup> Electronics/Amp	3-644695-6
1	JMP1	CONN HEADER 3POS 0.100 VERT TIN	AMP/Tyco Electronics	3-644456-3
1	JP1	THERMISTOR 10K OHM NTC LEADED	BC Components	2381 640 55103
1	L1	INDUCTOR 10UH 100MA 0805	Murata Electronics <sup>®</sup> - North America	LQM21FN100M70L
1	PCB	MCP9700 Thermistor Demo Board	Microchip Techgology Inc.	113-00156
2	R1,R2	RES 499 OHM 1/8W 1% 0805 SMD	Panasonic - ECG	ERJ-6ENF4990V
1	R10	RES 402 OHM 1/8W 1% 0805 SMD	Panasonic - ECG	ERJ-6ENF4020V
1	R11	RES 806 OHM 1/8W 1% 0805 SMD	Panasonic - ECG	ERJ-6ENF8060V
1	R12	RES 1.62K OHM 1/8W 1% 0805 SMD	Panasonic - ECG	ERJ-6ENF1621V
1	R13	RES 3.24K OHM 1/8W 1% 0805 SMD	Panasonic - ECG	ERJ-6ENF3241V
1	R14.	RES 6.49K OHM 1/8W 1% 0805 SMD	Panasonic - ECG	ERJ-6ENF6491V
1	R15	RES 12.7K OHM 1/8W 1% 0805 SMD	Panasonic - ECG	ERJ-6ENF1272V
1	R16	RES 25.5K OHM 1/8W 1% 0805 SMD	Panasonic - ECG	ERJ-6ENF2552V
1	R17	RES 51.1K OHM 1/8W 1% 0805 SMD	Panasonic - ECG	ERJ-6ENF5112V
1	R18	RES 102K OHM 1/8W 1% 0805 SMD	Panasonic - ECG	ERJ-6ENF1023V
1	R19	RES 205K OHM 1/8W 1% 0805 SMD	Panasonic - ECG	ERJ-6ENF2053V
1	R20	RES 100K OHM 1/8W 1% 0805 SMD	Panasonic - ECG	ERJ-6ENF1003V
1	R24	RES 10.0 OHM 1/8W 1% 0805 SMD	Panasonic - ECG	ERJ-6ENF10R0V

**Note:** The components listed in this Bill of Materials are representative of the PCB assembly. The released BOM used in manufacturing uses all RoHS-compliant components.

# MCP9700 Thermistor Demo Board User's Guide

**TABLE B-1: BILL OF MATERIALS (CONTINUED)**

Qty	Reference	Description	Manufacturer	Part Number
1	R3	RES 1.00K OHM 1/8W 1% 0805 SMD	Panasonic - ECG	ERJ-6ENF1001V
1	R4	RES 2.00K OHM 1/8W 1% 0805 SMD	Panasonic - ECG	ERJ-6ENF2001V
1	R5	RES 4.02K OHM 1/8W 1% 0805 SMD	Panasonic - ECG	ERJ-6ENF4021V
1	R6	RES 8.06K OHM 1/8W 1% 0805 SMD	Panasonic - ECG	ERJ-6ENF8061V
1	R7	RES 16.2K OHM 1/8W 1% 0805 SMD	Panasonic - ECG	ERJ-6ENF1622V
1	R8	RES 100 OHM 1/8W 1% 0805 SMD	Panasonic - ECG	ERJ-6ENF1000V
1	R9	RES 200 OHM 1/8W 1% 0805 SMD	Panasonic - ECG	ERJ-6ENF2000V
1	SW1	SWITCH 6 POS DIP EXTENDED SEALED	Grayhill, Inc	78B06ST
1	SW2	SWITCH 12 POS DIP EXTENDED UNSLD	Grayhill, Inc	78B12ST
1	U1	28/40/44-Pin, High-Performance, Enhanced Flash, USB Microcontrollers with nanoWatt Technology	Microchip Technology Inc.	PIC18F2550-I/SO
1	U2	PGA, Rail-to-Rail I/O, Digital control	Microchip Technology Inc.	MCP6S22-I/P
1	U3	Low-Power Linear Active Thermistor™ Ics	Microchip Technology Inc.	MCP9700-E/TO
1	Y1	CRYSTAL 20.0000 MHZ SERIES SMT	CTS-Frequency Controls	ATS200SM

**Note:** The components listed in this Bill of Materials are representative of the PCB assembly. The released BOM used in manufacturing uses all RoHS-compliant components.

# Bill Of Materials (BOM)

---

---

NOTES:



## WORLDWIDE SALES AND SERVICE

### AMERICAS

**Corporate Office**  
2355 West Chandler Blvd.  
Chandler, AZ 85224-6199  
Tel: 480-792-7200  
Fax: 480-792-7277  
Technical Support:  
<http://support.microchip.com>  
Web Address:  
[www.microchip.com](http://www.microchip.com)

**Atlanta**  
Duluth, GA  
Tel: 678-957-9614  
Fax: 678-957-1455

**Boston**  
Westborough, MA  
Tel: 774-760-0087  
Fax: 774-760-0088

**Chicago**  
Itasca, IL  
Tel: 630-285-0071  
Fax: 630-285-0075

**Dallas**  
Addison, TX  
Tel: 972-818-7423  
Fax: 972-818-2924

**Detroit**  
Farmington Hills, MI  
Tel: 248-538-2250  
Fax: 248-538-2260

**Kokomo**  
Kokomo, IN  
Tel: 765-864-8360  
Fax: 765-864-8387

**Los Angeles**  
Mission Viejo, CA  
Tel: 949-462-9523  
Fax: 949-462-9608

**Santa Clara**  
Santa Clara, CA  
Tel: 408-961-6444  
Fax: 408-961-6445

**Toronto**  
Mississauga, Ontario,  
Canada  
Tel: 905-673-0699  
Fax: 905-673-6509

### ASIA/PACIFIC

**Asia Pacific Office**  
Suites 3707-14, 37th Floor  
Tower 6, The Gateway  
Harbour City, Kowloon  
Hong Kong  
Tel: 852-2401-1200  
Fax: 852-2401-3431

**Australia - Sydney**  
Tel: 61-2-9868-6733  
Fax: 61-2-9868-6755

**China - Beijing**  
Tel: 86-10-8528-2100  
Fax: 86-10-8528-2104

**China - Chengdu**  
Tel: 86-28-8665-5511  
Fax: 86-28-8665-7889

**China - Hong Kong SAR**  
Tel: 852-2401-1200  
Fax: 852-2401-3431

**China - Nanjing**  
Tel: 86-25-8473-2460  
Fax: 86-25-8473-2470

**China - Qingdao**  
Tel: 86-532-8502-7355  
Fax: 86-532-8502-7205

**China - Shanghai**  
Tel: 86-21-5407-5533  
Fax: 86-21-5407-5066

**China - Shenyang**  
Tel: 86-24-2334-2829  
Fax: 86-24-2334-2393

**China - Shenzhen**  
Tel: 86-755-8203-2660  
Fax: 86-755-8203-1760

**China - Wuhan**  
Tel: 86-27-5980-5300  
Fax: 86-27-5980-5118

**China - Xiamen**  
Tel: 86-592-2388138  
Fax: 86-592-2388130

**China - Xian**  
Tel: 86-29-8833-7252  
Fax: 86-29-8833-7256

**China - Zhuhai**  
Tel: 86-756-3210040  
Fax: 86-756-3210049

### ASIA/PACIFIC

**India - Bangalore**  
Tel: 91-80-4182-8400  
Fax: 91-80-4182-8422

**India - New Delhi**  
Tel: 91-11-4160-8631  
Fax: 91-11-4160-8632

**India - Pune**  
Tel: 91-20-2566-1512  
Fax: 91-20-2566-1513

**Japan - Yokohama**  
Tel: 81-45-471- 6166  
Fax: 81-45-471-6122

**Korea - Daegu**  
Tel: 82-53-744-4301  
Fax: 82-53-744-4302

**Korea - Seoul**  
Tel: 82-2-554-7200  
Fax: 82-2-558-5932 or  
82-2-558-5934

**Malaysia - Kuala Lumpur**  
Tel: 60-3-6201-9857  
Fax: 60-3-6201-9859

**Malaysia - Penang**  
Tel: 60-4-227-8870  
Fax: 60-4-227-4068

**Philippines - Manila**  
Tel: 63-2-634-9065  
Fax: 63-2-634-9069

**Singapore**  
Tel: 65-6334-8870  
Fax: 65-6334-8850

**Taiwan - Hsin Chu**  
Tel: 886-3-572-9526  
Fax: 886-3-572-6459

**Taiwan - Kaohsiung**  
Tel: 886-7-536-4818  
Fax: 886-7-536-4803

**Taiwan - Taipei**  
Tel: 886-2-2500-6610  
Fax: 886-2-2508-0102

**Thailand - Bangkok**  
Tel: 66-2-694-1351  
Fax: 66-2-694-1350

### EUROPE

**Austria - Wels**  
Tel: 43-7242-2244-39  
Fax: 43-7242-2244-393

**Denmark - Copenhagen**  
Tel: 45-4450-2828  
Fax: 45-4485-2829

**France - Paris**  
Tel: 33-1-69-53-63-20  
Fax: 33-1-69-30-90-79

**Germany - Munich**  
Tel: 49-89-627-144-0  
Fax: 49-89-627-144-44

**Italy - Milan**  
Tel: 39-0331-742611  
Fax: 39-0331-466781

**Netherlands - Drunen**  
Tel: 31-416-690399  
Fax: 31-416-690340

**Spain - Madrid**  
Tel: 34-91-708-08-90  
Fax: 34-91-708-08-91

**UK - Wokingham**  
Tel: 44-118-921-5869  
Fax: 44-118-921-5820



Компания «Life Electronics» занимается поставками электронных компонентов импортного и отечественного производства от производителей и со складов крупных дистрибьюторов Европы, Америки и Азии.

С конца 2013 года компания активно расширяет линейку поставок компонентов по направлению коаксиальный кабель, кварцевые генераторы и конденсаторы (керамические, пленочные, электролитические), за счёт заключения дистрибьюторских договоров

Мы предлагаем:

- Конкурентоспособные цены и скидки постоянным клиентам.
- Специальные условия для постоянных клиентов.
- Подбор аналогов.
- Поставку компонентов в любых объемах, удовлетворяющих вашим потребностям.
- Приемлемые сроки поставки, возможна ускоренная поставка.
- Доставку товара в любую точку России и стран СНГ.
- Комплексную поставку.
- Работу по проектам и поставку образцов.
- Формирование склада под заказчика.
- Сертификаты соответствия на поставляемую продукцию (по желанию клиента).
- Тестирование поставляемой продукции.
- Поставку компонентов, требующих военную и космическую приемку.
- Входной контроль качества.
- Наличие сертификата ISO.

В составе нашей компании организован Конструкторский отдел, призванный помогать разработчикам, и инженерам.

Конструкторский отдел помогает осуществить:

- Регистрацию проекта у производителя компонентов.
- Техническую поддержку проекта.
- Защиту от снятия компонента с производства.
- Оценку стоимости проекта по компонентам.
- Изготовление тестовой платы монтаж и пусконаладочные работы.



Тел: +7 (812) 336 43 04 (многоканальный)

Email: [org@lifeelectronics.ru](mailto:org@lifeelectronics.ru)