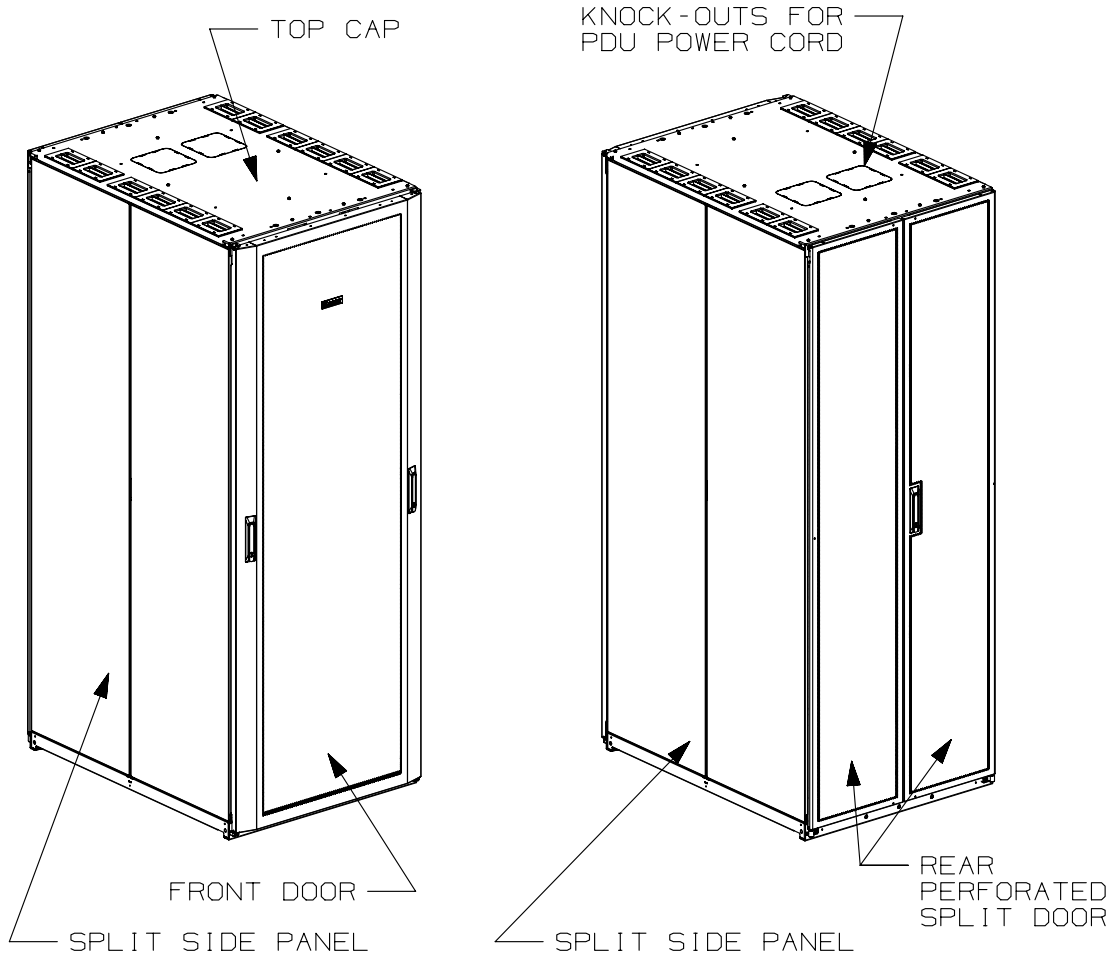


THIS COPY IS PROVIDED ON A RESTRICTED BASIS AND IS NOT TO BE USED IN ANY WAY DETRIMENTAL TO THE INTERESTS OF PANDUIT CORP.



1. VISIT OUR ON-LINE CATALOG AT WWW.PANDUIT.COM FOR A LIST OF CURRENT PARTS APPLICABLE FOR USE WITH THIS PRODUCT.
2. PRIMARY DIMENSIONS ARE IN MILLIMETERS.
3. INDEPENDENT ADJUSTABLE REAR EQUIPMENT MOUNTING RAILS (EIA) ADJUST FROM 130mm [5.1in] TO 327mm [12.87in] AND FROM 412mm [16.22in] TO 599mm [23.58in]. WITH NO FINGERS OR PDU'S, 761mm [29.96in] TO 812mm [31.96in].
4. CAN BE USED WITH ANY 19" EIA STANDARD COMPONENT IN ADDITION TO ALL PANDUIT HORIZONTAL CABLE MANAGEMENT AND PATCH PANEL PRODUCTS.
5. EIA UNIVERSAL STANDARD HOLE PROGRESSION ON EQUIPMENT RAILS 15.88mm [.625in], 15.88mm [.625in], 12.70mm [.5in], 15.88mm [.625in], 15.88mm [.625in], 12.7mm [.5in]...ETC.
6. PARTS SUPPLIED:
 -BASE CABINET
 OPTIONAL COMPONENTS:
 -FRONT DOOR (SEE CHART ON SHEETS 2,3&4)
 -REAR PERFORATED SPLIT DOOR (SEE CHART ON SHEETS 2,3&4)
 -EQUIPMENT RAILS FRONT & REAR (SEE CHART ON SHEETS 2,3&4)
 -SPLIT SIDE PANELS (SEE CHART ON SHEETS 2,3&4)
 -VERTICAL CABLE MANAGEMENT FINGERS (SEE CHART ON SHEETS 2,3&4)
 -CABINET HARDWARE KIT
 -INSTRUCTION SHEET
7. RACK UNIT SPACING NUMERALS ARE CLEARLY PRINTED ON EQUIPMENT MOUNTING RAILS.
8. FULLY BONDED STRUCTURE WHEN ASSEMBLED PER INSTRUCTIONS.
9. STATIC LOAD RATING. 1360 Kg (3000 LBS)
10. ROLLING LOAD RATING. 1133 Kg (2500 LBS)
11. SINGLE POINT GROUND LOCATIONS AT TOP AND BOTTOM OF CABINET.
12. ALL CABINET RAILS ARE INSTALLED NUMBERS UP.
13. MAXIMUM EQUIPMENT DEPTH, 840mm [33.06].

REV	DATE	BY	CHK	APR	DESCRIPTION	ECN
01A	12-12-14	PBS	ADP	TCN	FLOOR MOUNT DIMENSIONS UPDATED	V09000BX
00D	1-09-14	MDCA	ROJC	JDWE	REVISED CHART	12V305LU-DC
00C	12-10-13	MDCA	NAGL	JDWE	REVISED SHEET 5	12V305LU-DC
00B	5-20-13	PBS	NAGL	JDWE	UPDATED CHART	12V305LU-DC
00A	8-9-12	TWV	JDW	JDWE	RELEASED TO PRODUCTION	12V305LU-DC

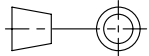
TITLE		NET-ACCESS N TYPE CABINET 800mm WIDE X 1070mm DEEP FAMILY	
		CUSTOMER DRAWING	
ITEM REVISION NAME		12V305LU/01.PRT	
DATASET FILE NAME		12V305LU_DC/01A.PRT	
MATERIAL:		N/A	
DRAWING NUMBER:		12V305LU-DC	
DRAWN BY		DATE	CHK
TWW		8-9-12	JDW
SCALE		NONE	
THIRD ANGLE PROJECTION			
SHT 1 OF 7		SIZE	
		A	

THIS COPY IS PROVIDED ON A RESTRICTED BASIS AND IS NOT TO BE USED IN ANY WAY DETRIMENTAL TO THE INTERESTS OF PANDUIT CORP.

PART NO.	DESCRIPTION	DUAL HINGE DOOR	SPLIT DOOR	SINGLE HINGE DOOR	SPLIT SIDE PANEL	CAGE NUT E-RAIL (2-SETS)	TAPPED E-RAIL (2-SETS)	VERTICAL BLANKING PANELS	CABLE MANAGEMENT	CABINET WEIGHT FULLY UNPACKAGED	CABINET WEIGHT SHIPPING WEIGHT
N8212*	NET-ACCESS N-TYPE CABINET 42RUX1070mm DEEP	01	01	00	02	00	01	00	02	136 Kg/EACH 300 LBS/EACH	156 Kg/EACH 345 LBS/EACH
N8512*	NET-ACCESS N-TYPE CABINET 45RUX1070mm DEEP	01	01	00	02	00	01	00	02	143 Kg/EACH 315 LBS/EACH	163 Kg/EACH 360 LBS/EACH
N8812*	NET-ACCESS N-TYPE CABINET 48RUX1070mm DEEP	01	01	00	02	00	01	00	02	150 Kg/EACH 330 LBS/EACH	170 Kg/EACH 375 LBS/EACH
N8219*	NET-ACCESS N-TYPE CABINET 42RUX1070mm DEEP	01	01	00	00	00	01	00	02	101 Kg/EACH 222 LBS/EACH	121 Kg/EACH 267 LBS/EACH
N8519*	NET-ACCESS N-TYPE CABINET 45RUX1070mm DEEP	01	01	00	00	00	01	00	02	107 Kg/EACH 237 LBS/EACH	128 Kg/EACH 282 LBS/EACH
N8819*	NET-ACCESS N-TYPE CABINET 48RUX1070mm DEEP	01	01	00	00	00	01	00	02	114 Kg/EACH 252 LBS/EACH	135 Kg/EACH 297 LBS/EACH
N8212*C	NET-ACCESS N-TYPE CABINET 42RUX1070mm DEEP	01	01	00	02	01	00	00	02	133 Kg/EACH 294 LBS/EACH	154 Kg/EACH 339 LBS/EACH
N8512*C	NET-ACCESS N-TYPE CABINET 45RUX1070mm DEEP	01	01	00	02	01	00	00	02	140 Kg/EACH 309 LBS/EACH	160 Kg/EACH 354 LBS/EACH
N8812*C	NET-ACCESS N-TYPE CABINET 48RUX1070mm DEEP	01	01	00	02	01	00	00	02	147 Kg/EACH 324 LBS/EACH	167 Kg/EACH 369 LBS/EACH
N8219*C	NET-ACCESS N-TYPE CABINET 42RUX1070mm DEEP	01	01	00	00	01	00	00	02	99 Kg/EACH 218 LBS/EACH	119 Kg/EACH 263 LBS/EACH
N8519*C	NET-ACCESS N-TYPE CABINET 45RUX1070mm DEEP	01	01	00	00	01	00	00	02	104 Kg/EACH 230 LBS/EACH	125 Kg/EACH 275 LBS/EACH
N8819*C	NET-ACCESS N-TYPE CABINET 48RUX1070mm DEEP	01	01	00	00	01	00	00	02	111 Kg/EACH 245 LBS/EACH	131 Kg/EACH 290 LBS/EACH
N8212*E	NET-ACCESS N-TYPE CABINET 42RUX1070mm DEEP	00	01	01	02	01	00	00	02	136 Kg/EACH 300 LBS/EACH	156 Kg/EACH 345 LBS/EACH
N8512*E	NET-ACCESS N-TYPE CABINET 45RUX1070mm DEEP	00	01	01	02	01	00	00	02	143 Kg/EACH 315 LBS/EACH	163 Kg/EACH 360 LBS/EACH
N8812*E	NET-ACCESS N-TYPE CABINET 48RUX1070mm DEEP	00	01	01	02	01	00	00	02	150 Kg/EACH 330 LBS/EACH	170 Kg/EACH 375 LBS/EACH
N8219*E	NET-ACCESS N-TYPE CABINET 42RUX1070mm DEEP	00	01	01	00	01	00	00	02	100 Kg/EACH 220 LBS/EACH	120 Kg/EACH 265 LBS/EACH
N8519*E	NET-ACCESS N-TYPE CABINET 45RUX1070mm DEEP	00	01	01	00	01	00	00	02	105 Kg/EACH 232 LBS/EACH	126 Kg/EACH 277 LBS/EACH
N8819*E	NET-ACCESS N-TYPE CABINET 48RUX1070mm DEEP	00	01	01	00	01	00	00	02	111 Kg/EACH 244 LBS/EACH	131 Kg/EACH 289 LBS/EACH
N8219*G	NET-ACCESS N-TYPE CABINET 42RUX1070mm DEEP	00	00	00	00	00	01	00	00	78 Kg/EACH 172 LBS/EACH	98 Kg/EACH 217 LBS/EACH
N8519*G	NET-ACCESS N-TYPE CABINET 45RUX1070mm DEEP	00	00	00	00	00	01	00	00	82 Kg/EACH 181 LBS/EACH	102 Kg/EACH 226 LBS/EACH
N8819*G	NET-ACCESS N-TYPE CABINET 48RUX1070mm DEEP	00	00	00	00	00	01	00	00	86 Kg/EACH 190 LBS/EACH	106 Kg/EACH 235 LBS/EACH

* DENOTES COLOR
 "B" = BLACK
 "W" = WHITE

TABLE CONTINUED ON SHEET 3

REV	DATE	BY	CHK	APR	DESCRIPTION	ECN	TITLE	DRAWN BY	DATE	CHK	SCALE	SHT	SIZE
							NET-ACCESS N TYPE CABINET 800mm WIDE X 1070mm DEEP FAMILY CUSTOMER DRAWING						
							ITEM REVISION NAME 12V305LU/01.PRT						
							DATASET FILE NAME 12V305LU_DC/01A.PRT						
							MATERIAL: N/A						
							DRAWING NUMBER: 12V305LU-DC						
													
							THIRD ANGLE PROJECTION						
								TWV	8-9-12	JDW	NONE	SHT 2 OF 7	A

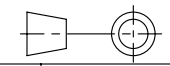
THIS COPY IS PROVIDED ON A RESTRICTED BASIS AND IS NOT TO BE USED IN ANY WAY DETRIMENTAL TO THE INTERESTS OF PANDUIT CORP.

PART NO.	DESCRIPTION	DUAL HINGE DOOR	SPLIT DOOR	SINGLE HINGE DOOR	SPLIT SIDE PANEL	CAGE NUT E-RAIL (2-SETS)	TAPPED E-RAIL (2-SETS)	VERTICAL BLANKING PANELS	CABLE MANAGEMENT	CABINET WEIGHT FULLY UNPACKAGED	CABINET WEIGHT SHIPPING WEIGHT
N8219*L	NET-ACCESS N-TYPE CABINET 42RUX1070mm DEEP	00	02	00	00	01	00	00	02	92 Kg/EACH 203 LBS/EACH	112 Kg/EACH 248 LBS/EACH
N8519*L	NET-ACCESS N-TYPE CABINET 45RUX1070mm DEEP	00	02	00	00	01	00	00	02	97 Kg/EACH 214 LBS/EACH	117 Kg/EACH 259 LBS/EACH
N8819*L	NET-ACCESS N-TYPE CABINET 48RUX1070mm DEEP	00	02	00	00	01	00	00	02	108 Kg/EACH 238 LBS/EACH	128 Kg/EACH 283 LBS/EACH
N8219*Q	NET-ACCESS N-TYPE CABINET 42RUX1070mm DEEP	00	00	00	00	01	00	00	02	72 Kg/EACH 159 LBS/EACH	92 Kg/EACH 204 LBS/EACH
N8519*Q	NET-ACCESS N-TYPE CABINET 45RUX1070mm DEEP	00	00	00	00	01	00	00	02	76 Kg/EACH 168 LBS/EACH	96 Kg/EACH 213 LBS/EACH
N8819*Q	NET-ACCESS N-TYPE CABINET 48RUX1070mm DEEP	00	00	00	00	01	00	00	02	80 Kg/EACH 177 LBS/EACH	101 Kg/EACH 202 LBS/EACH
N8212*S	NET-ACCESS N-TYPE CABINET 42RUX1070mm DEEP	00	00	00	02	00	01	00	02	111 Kg/EACH 245 LBS/EACH	131 Kg/EACH 290 LBS/EACH
N8512*S	NET-ACCESS N-TYPE CABINET 45RUX1070mm DEEP	00	00	00	02	00	01	00	02	118 Kg/EACH 260 LBS/EACH	138 Kg/EACH 305 LBS/EACH
N8812*S	NET-ACCESS N-TYPE CABINET 48RUX1070mm DEEP	00	00	00	02	00	01	00	02	125 Kg/EACH 275 LBS/EACH	145 Kg/EACH 320 LBS/EACH
N8219*S	NET-ACCESS N-TYPE CABINET 42RUX1070mm DEEP	00	00	00	00	00	01	00	02	76 Kg/EACH 167 LBS/EACH	96 Kg/EACH 212 LBS/EACH
N8519*S	NET-ACCESS N-TYPE CABINET 45RUX1070mm DEEP	00	00	00	00	00	01	00	02	80 Kg/EACH 176 LBS/EACH	100 Kg/EACH 221 LBS/EACH
N8819*S	NET-ACCESS N-TYPE CABINET 48RUX1070mm DEEP	00	00	00	00	00	01	00	02	84 Kg/EACH 185 LBS/EACH	104 Kg/EACH 230 LBS/EACH
N8212*U	NET-ACCESS N-TYPE CABINET 42RUX1070mm DEEP	01	01	00	02	01	00	01	02	136 Kg/EACH 300 LBS/EACH	156 Kg/EACH 345 LBS/EACH
N8512*U	NET-ACCESS N-TYPE CABINET 45RUX1070mm DEEP	01	01	00	02	01	00	01	02	143 Kg/EACH 315 LBS/EACH	163 Kg/EACH 360 LBS/EACH
N8812*U	NET-ACCESS N-TYPE CABINET 48RUX1070mm DEEP	01	01	00	02	01	00	01	02	150 Kg/EACH 330 LBS/EACH	170 Kg/EACH 375 LBS/EACH
N8219*U	NET-ACCESS N-TYPE CABINET 42RUX1070mm DEEP	01	01	00	00	01	00	01	02	101 Kg/EACH 222 LBS/EACH	121 Kg/EACH 267 LBS/EACH
N8519*U	NET-ACCESS N-TYPE CABINET 45RUX1070mm DEEP	01	01	00	00	01	00	01	02	107 Kg/EACH 237 LBS/EACH	128 Kg/EACH 282 LBS/EACH
N8819*U	NET-ACCESS N-TYPE CABINET 48RUX1070mm DEEP	01	01	00	00	01	00	01	02	114 Kg/EACH 252 LBS/EACH	135 Kg/EACH 297 LBS/EACH

* DENOTES COLOR
 "B" = BLACK
 "W" = WHITE

TABLE CONTINUED ON SHEET 4

REV	DATE	BY	CHK	APR	DESCRIPTION	ECN	TITLE	ITEM REVISION NAME	DATASET FILE NAME	MATERIAL	DRAWING NUMBER	DRAWN BY	DATE	CHK	SCALE	SHT	OF	SIZE
							NET-ACCESS N TYPE CABINET 800mm WIDE X 1070mm DEEP FAMILY	12V305LU/01.PRT	12V305LU_DC/01A.PRT	N/A	12V305LU-DC	TWV	8-9-12	JDW	NONE	3	7	A
01A	12-12-14	PBS	ADP	TCN	SEE SHEET 1 OF 7 FOR REVISIONS	V09000BX	CUSTOMER DRAWING											
00D	1-09-14	MDCA	ROJC	JDWE	SEE SHEET 1 OF 7 FOR REVISIONS	12V305LU-DC												
00C	12-10-13	MDCA	NAGL	JDWE	SEE SHEET 1 OF 6 FOR REVISIONS	12V305LU-DC												
00B	5-20-13	PBS	NAGL	JDWE	SEE SHEET 1 OF 6 FOR REVISIONS	12V305LU-DC												
00A	8-9-12	TWV	JDW	JDWE	SEE SHEET 1 OF 6 FOR REVISIONS	12V305LU-DC												



THIRD ANGLE PROJECTION

THIS COPY IS PROVIDED ON A RESTRICTED BASIS AND IS NOT TO BE USED IN ANY WAY DETRIMENTAL TO THE INTERESTS OF PANDUIT CORP.

PART NO.	DESCRIPTION	DUAL HINGE DOOR	SPLIT DOOR	SINGLE HINGE DOOR	SPLIT SIDE PANEL	CAGE NUT E-RAIL (2-SETS)	TAPPED E-RAIL (2-SETS)	VERTICAL BLANKING PANELS	CABLE MANAGEMENT	CABINET WEIGHT FULLY UNPACKAGED	CABINET WEIGHT SHIPPING WEIGHT
N8212*J	NET-ACCESS N-TYPE CABINET 42RUX1070mm DEEP	00	02	00	02	00	01	00	02	132 Kg/EACH 290 LBS/EACH	152 Kg/EACH 335 LBS/EACH
N8512*J	NET-ACCESS N-TYPE CABINET 45RUX1070mm DEEP	00	02	00	02	00	01	00	02	138 Kg/EACH 305 LBS/EACH	159 Kg/EACH 350 LBS/EACH
N8812*J	NET-ACCESS N-TYPE CABINET 48RUX1070mm DEEP	00	02	00	02	00	01	00	02	145 Kg/EACH 320 LBS/EACH	166 Kg/EACH 365 LBS/EACH
N8219*J	NET-ACCESS N-TYPE CABINET 42RUX1070mm DEEP	00	02	00	00	00	01	00	02	95 Kg/EACH 210 LBS/EACH	116 Kg/EACH 255 LBS/EACH
N8519*J	NET-ACCESS N-TYPE CABINET 45RUX1070mm DEEP	00	02	00	00	00	01	00	02	102 Kg/EACH 225 LBS/EACH	122 Kg/EACH 270 LBS/EACH
N8819*J	NET-ACCESS N-TYPE CABINET 48RUX1070mm DEEP	00	02	00	00	00	01	00	02	109 Kg/EACH 240 LBS/EACH	129 Kg/EACH 285 LBS/EACH
N8212*M	NET-ACCESS N-TYPE CABINET 42RUX1070mm DEEP	01	01	00	02	00	01	01	02	140 Kg/EACH 309 LBS/EACH	161 Kg/EACH 354 LBS/EACH
N8512*M	NET-ACCESS N-TYPE CABINET 45RUX1070mm DEEP	01	01	00	02	00	01	01	02	150 Kg/EACH 331 LBS/EACH	171 Kg/EACH 376 LBS/EACH
N8812*M	NET-ACCESS N-TYPE CABINET 48RUX1070mm DEEP	01	01	00	02	00	01	01	02	160 Kg/EACH 353 LBS/EACH	181 Kg/EACH 398 LBS/EACH
N8219*M	NET-ACCESS N-TYPE CABINET 42RUX1070mm DEEP	01	01	00	00	00	01	01	02	104 Kg/EACH 229 LBS/EACH	124 Kg/EACH 274 LBS/EACH
N8519*M	NET-ACCESS N-TYPE CABINET 45RUX1070mm DEEP	01	01	00	00	00	01	01	02	113 Kg/EACH 251 LBS/EACH	134 Kg/EACH 296 LBS/EACH
N8819*M	NET-ACCESS N-TYPE CABINET 48RUX1070mm DEEP	01	01	00	00	00	01	01	02	124 Kg/EACH 273 LBS/EACH	144 Kg/EACH 318 LBS/EACH

* DENOTES COLOR
 "B" = BLACK
 "W" = WHITE

REV	DATE	BY	CHK	APR	DESCRIPTION	ECN	DRAWN BY	DATE	CHK	SCALE	SHT	OF	SIZE
01A	12-12-14	PBS	ADP	TCN	SEE SHEET 1 OF 7 FOR REVISIONS	V09000BX	TWV	8-9-12	JDW	NONE	4	7	A
00D	1-09-14	MDCA	ROJC	JDWE	SEE SHEET 1 OF 7 FOR REVISIONS	12V305LU-DC							
00C	12-10-13	MDCA	NAGL	JDWE	SEE SHEET 1 OF 6 FOR REVISIONS	12V305LU-DC							
00B	5-20-13	PBS	NAGL	JDWE	SEE SHEET 1 OF 6 FOR REVISIONS	12V305LU-DC							
00A	8-9-12	TWV	JDW	JDWE	SEE SHEET 1 OF 6 FOR REVISIONS	12V305LU-DC							

TITLE
 NET-ACCESS N TYPE CABINET
 800mm WIDE X 1070mm DEEP FAMILY
 CUSTOMER DRAWING

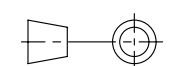
ITEM REVISION NAME
 12V305LU/01.PRT

DATASET FILE NAME
 12V305LU_DC/01A.PRT

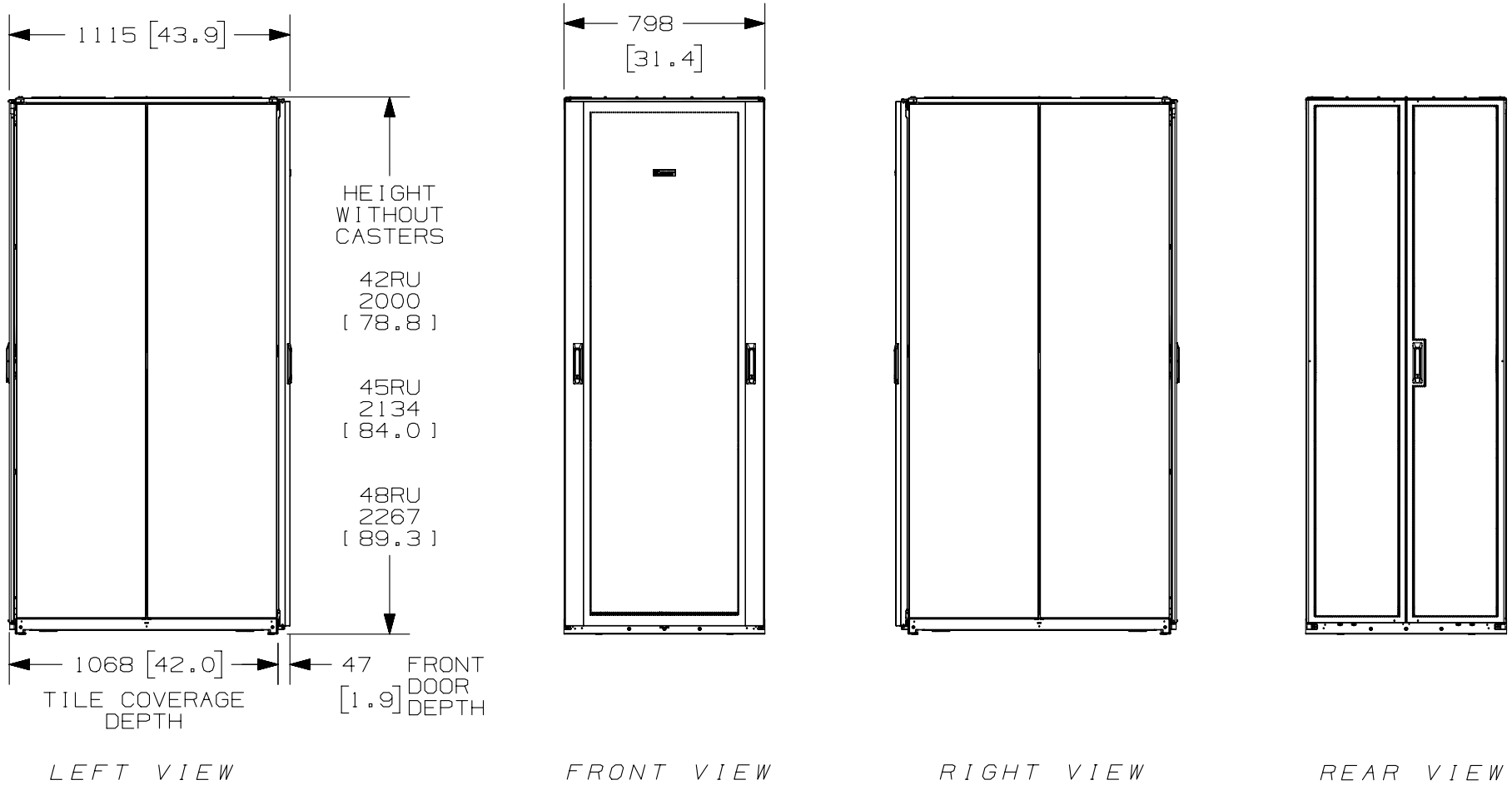
MATERIAL:
 N/A

DRAWING NUMBER:
 12V305LU-DC

THIRD ANGLE PROJECTION



THIS COPY IS PROVIDED ON A RESTRICTED BASIS AND IS NOT TO BE USED IN ANY WAY DETRIMENTAL TO THE INTERESTS OF PANDUIT CORP.

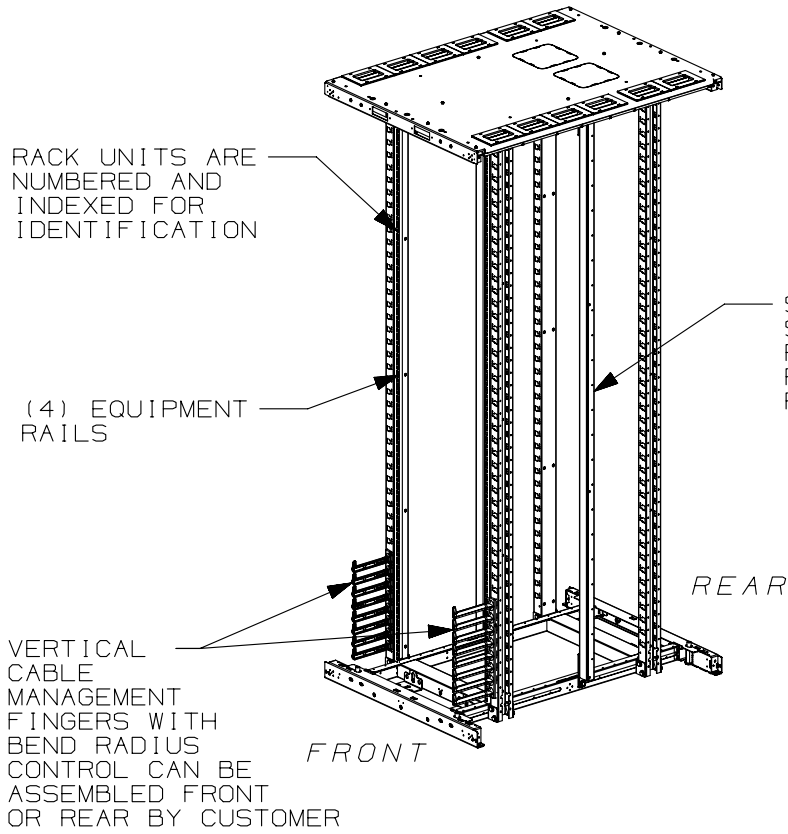


REV	DATE	BY	CHK	APR	DESCRIPTION	ECN
01A	12-12-14	PBS	ADP	TCN	SEE SHEET 1 OF 7 FOR REVISIONS	V09000BX
00D	1-09-14	MDCA	ROJC	JDWE	SEE SHEET 1 OF 7 FOR REVISIONS	12V305LU-DC
00C	12-10-13	MDCA	NAGL	JDWE	SEE SHEET 1 OF 6 FOR REVISIONS	12V305LU-DC
00B	5-20-13	PBS	NAGL	JDWE	SEE SHEET 1 OF 6 FOR REVISIONS	12V305LU-DC
00A	8-9-12	TWV	JDW	JDWE	SEE SHEET 1 OF 6 FOR REVISIONS	12V305LU-DC

TITLE		NET-ACCESS N TYPE CABINET 800mm WIDE X 1070mm DEEP FAMILY CUSTOMER DRAWING	
ITEM REVISION NAME		12V305LU/01.PRT	
DATASET FILE NAME		12V305LU_DC/01A.PRT	
MATERIAL:		N/A	
DRAWING NUMBER:		12V305LU-DC	
DRAWN BY		DATE	CHK
T WV		8-9-12	JDW
SCALE		NONE	
SHT 5 OF 7		SIZE A	

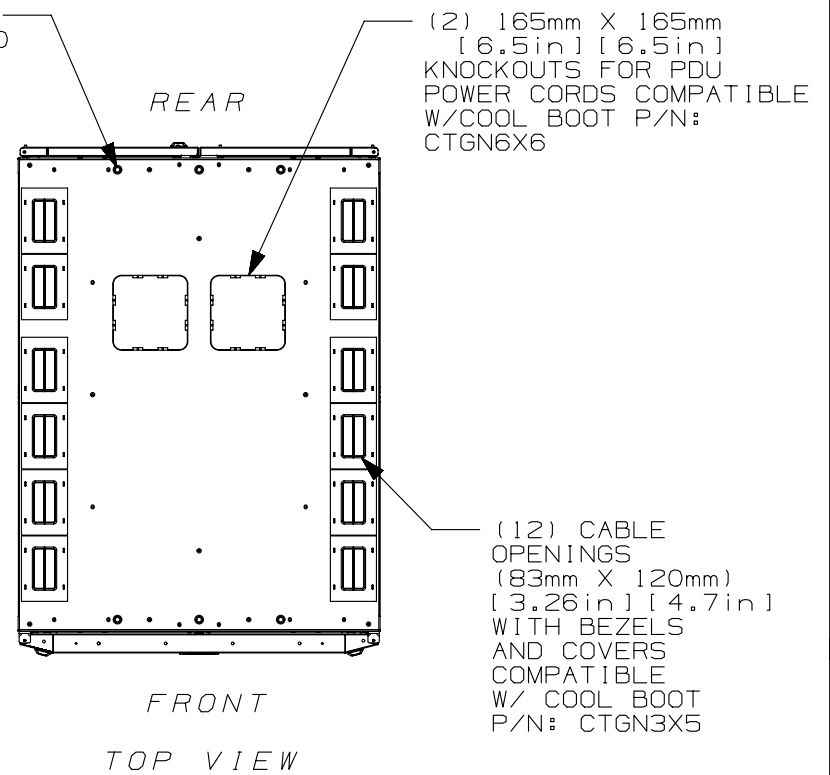
THIRD ANGLE PROJECTION

THIS COPY IS PROVIDED ON A RESTRICTED BASIS AND IS NOT TO BE USED IN ANY WAY DETRIMENTAL TO THE INTERESTS OF PANDUIT CORP.



SEE NOTES ON SHEET 1 FOR REAR EQUIPMENT RAIL ADJUSTMENT RANGE

(6) LOCATIONS TAPPED FOR M10 THREADED ROD

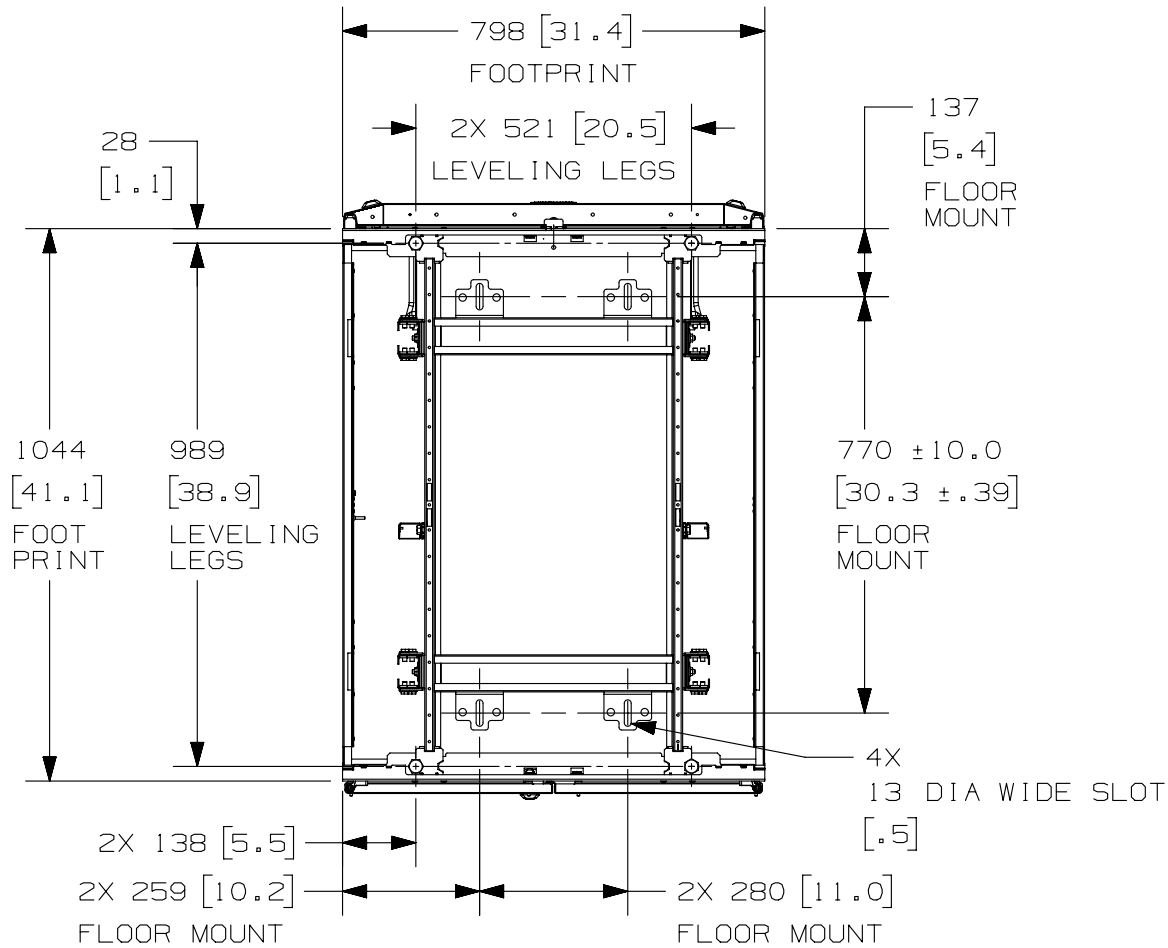


FRONT DOOR, REAR DOOR, AND SIDE PANELS NOT SHOWN

REV	DATE	BY	CHK	APR	DESCRIPTION	ECN
01A	12-12-14	PBS	ADP	TCN	SEE SHEET 1 OF 7 FOR REVISIONS	V09000BX
00D	1-09-14	MDCA	ROJC	JDWE	SEE SHEET 1 OF 7 FOR REVISIONS	12V305LU-DC
00C	12-10-13	MDCA	NAGL	JDWE	SEE SHEET 1 OF 6 FOR REVISIONS	12V305LU-DC
00B	5-20-13	PBS	NAGL	JDWE	SEE SHEET 1 OF 6 FOR REVISIONS	12V305LU-DC
00A	8-9-12	TWV	JDW	JDWE	SEE SHEET 1 OF 6 FOR REVISIONS	12V305LU-DC

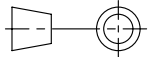
TITLE		NET-ACCESS N TYPE CABINET 800mm WIDE X 1070mm DEEP FAMILY	
		CUSTOMER DRAWING	
ITEM REVISION NAME		12V305LU/01.PRT	
DATASET FILE NAME		12V305LU_DC/01A.PRT	
MATERIAL:		N/A	
DRAWING NUMBER:		12V305LU-DC	
THIRD ANGLE PROJECTION			
DRAWN BY	DATE	CHK	SCALE
TWV	8-9-12	JDW	NONE
SHT 6 OF 7	A		

THIS COPY IS PROVIDED ON A RESTRICTED BASIS AND IS NOT TO BE USED IN ANY WAY DETRIMENTAL TO THE INTERESTS OF PANDUIT CORP.



REAR OF CABINET
BOTTOM VIEW

FLOOR MOUNTING HOLE LOCATIONS -
SOME PARTS REMOVED FOR CLARITY

REV	DATE	BY	CHK	APR	DESCRIPTION	ECN	TITLE					
							NET-ACCESS N TYPE CABINET 800mm WIDE X 1070mm DEEP FAMILY CUSTOMER DRAWING					
							ITEM REVISION NAME 12V305LU/01.PRT		PANDUIT			
							DATASET FILE NAME 12V305LU_DC/01A.PRT					
									MATERIAL: N/A			
									DRAWING NUMBER: 12V305LU-DC			
							 THIRD ANGLE PROJECTION					
							DRAWN BY TWV	DATE 8-9-12	CHK JDW	SCALE NONE	SHT 7 OF 7	SIZE A

Компания «Life Electronics» занимается поставками электронных компонентов импортного и отечественного производства от производителей и со складов крупных дистрибьюторов Европы, Америки и Азии.

С конца 2013 года компания активно расширяет линейку поставок компонентов по направлению коаксиальный кабель, кварцевые генераторы и конденсаторы (керамические, пленочные, электролитические), за счёт заключения дистрибьюторских договоров

Мы предлагаем:

- Конкуренспособные цены и скидки постоянным клиентам.
- Специальные условия для постоянных клиентов.
- Подбор аналогов.
- Поставку компонентов в любых объемах, удовлетворяющих вашим потребностям.
- Приемлемые сроки поставки, возможна ускоренная поставка.
- Доставку товара в любую точку России и стран СНГ.
- Комплексную поставку.
- Работу по проектам и поставку образцов.
- Формирование склада под заказчика.
- Сертификаты соответствия на поставляемую продукцию (по желанию клиента).
- Тестирование поставляемой продукции.
- Поставку компонентов, требующих военную и космическую приемку.
- Входной контроль качества.
- Наличие сертификата ISO.

В составе нашей компании организован Конструкторский отдел, призванный помогать разработчикам, и инженерам.

Конструкторский отдел помогает осуществить:

- Регистрацию проекта у производителя компонентов.
- Техническую поддержку проекта.
- Защиту от снятия компонента с производства.
- Оценку стоимости проекта по компонентам.
- Изготовление тестовой платы монтаж и пусконаладочные работы.



Тел: +7 (812) 336 43 04 (многоканальный)

Email: org@lifeelectronics.ru