

3 V SILICON RFIC FREQUENCY UPCONVERTER

FEATURES

- **RECOMMENDED OPERATING FREQUENCY:**
 $f_{RFout} = 0.4 \text{ GHz to } 2.0 \text{ GHz}$
 $f_{Fin} = 100 \text{ MHz to } 400 \text{ MHz}$
- **SUPPLY VOLTAGE:**
 $V_{CC} = 2.7 \text{ to } 5.5 \text{ V}$
- **HIGH DENSITY SURFACE MOUNTING:**
 6 pin super mini mold package
- **LOW CARRIER LEAKAGE:**
 Due to double balanced mixer
- **BUILT-IN POWER SAVE FUNCTION**

DESCRIPTION

The UPC8106TB is a silicon RFIC designed as a frequency upconverter for cellular/cordless telephone transmitter stages and features improved intermodulation. This device is housed in a 6 pin super mini mold or SOT-363 package making it ideal for reducing system size. The UPC8106TB is manufactured using the 20 GHz ft NESAT™ III silicon bipolar process.

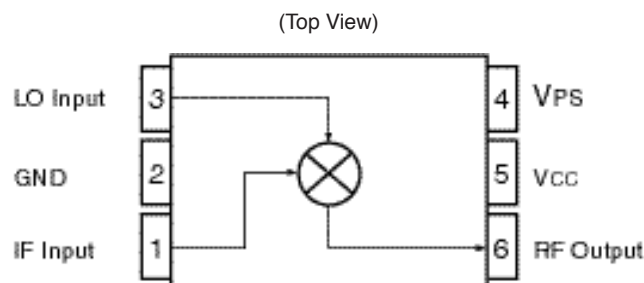
Stringent quality assurance and test procedures ensure the highest reliability and performance.

ELECTRICAL CHARACTERISTICS

($T_A = 25^\circ\text{C}$, $V_{CC} = V_{RFout} = 3 \text{ V}$, $f_{Fin} = 240 \text{ MHz}$, $PL_{Oin} = -5 \text{ dBm}$, $V_{PS} \geq 2.7 \text{ V}$ unless otherwise specified)

PART NUMBER PACKAGE OUTLINE			UPC8106TB S06		
SYMBOLS	PARAMETERS AND CONDITIONS	UNITS	MIN	TYP	MAX
I_{CC}	Circuit Current at $V_{PS} \geq 2.7 \text{ V}$ $V_{PS} = 0 \text{ V}$	mA μA	4.5	9	13.5 10
CG	Conversion Gain at $f_{RFout} = 0.9 \text{ GHz}$, $PI_{Fin} = -30 \text{ dBm}$ $f_{RFout} = 1.9 \text{ GHz}$, $PI_{Fin} = -30 \text{ dBm}$	dB dB	6 4	9 7	12 10
PSAT	Saturated Output Power at $f_{RFout} = 0.9 \text{ GHz}$, $PI_{Fin} = 0 \text{ dBm}$ $f_{RFout} = 1.9 \text{ GHz}$, $PI_{Fin} = 0 \text{ dBm}$	dBm dBm	-4 -6.5	-2 -4	
OIP ₃	Output Third-Order Intercept Point at $f_{Fin1} = 240.0 \text{ MHz}$ $f_{Fin2} = 240.4 \text{ MHz}$ $PI_{Fin} = -20 \text{ dBm}$	dBm dBm		+5.5 +2.0	
IM ₃	Third-Order Intermodulation Level at $f_{Fin1} = 240 \text{ MHz}$ $f_{Fin2} = 240.4 \text{ MHz}$ $PI_{Fin} = -20 \text{ dBm}$	dBc dBc		-31 -30	
NF	SSB Noise Figure, $f_{RFout} = 0.9 \text{ GHz}$	dB		8.5	
TPS(RISE)	Power Save Rise Time at $V_{PS}: \text{GND} \rightarrow \text{VCC}$	μs		2.0	
TPS(FALL)	Power Save Fall Time at $V_{PS}: \text{VCC} \rightarrow \text{GND}$	μs		2.0	

INTERNAL BLOCK DIAGRAM



APPLICATION

- **CELLULAR/CORDLESS TELEPHONE**

ABSOLUTE MAXIMUM RATINGS¹ (T_A = 25°C)

SYMBOLS	PARAMETERS	UNITS	RATINGS
V _{CC}	Supply Voltage Pins 5 & 6	V	6.0
V _{PS}	Power Save Voltage	V	6.0
P _T	Total Power Dissipation ²	mW	200
T _{OP}	Operating Temperature	°C	-40 to +85
T _{STG}	Storage Temperature	°C	-55 to +150
P _{IN}	Input Power	dBm	+10

Notes:

1. Operation in excess of any one of these parameters may result in permanent damage.
2. Mounted on a 50 x 50 x 1.6 mm epoxy glass PWB (T_A = +85°C).

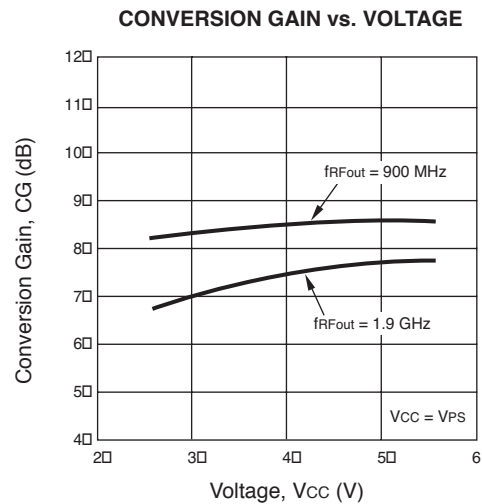
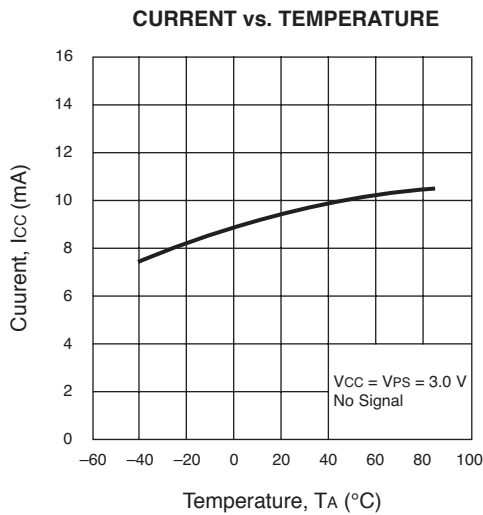
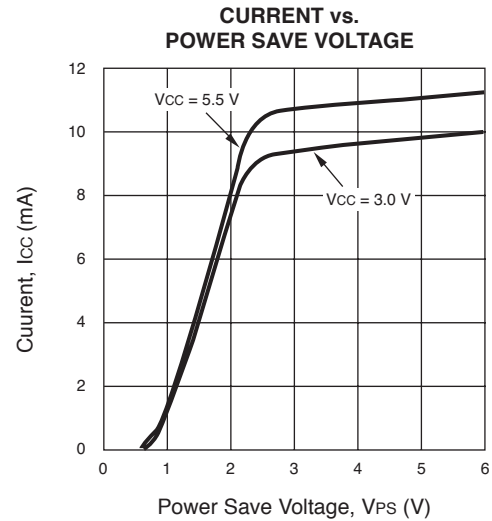
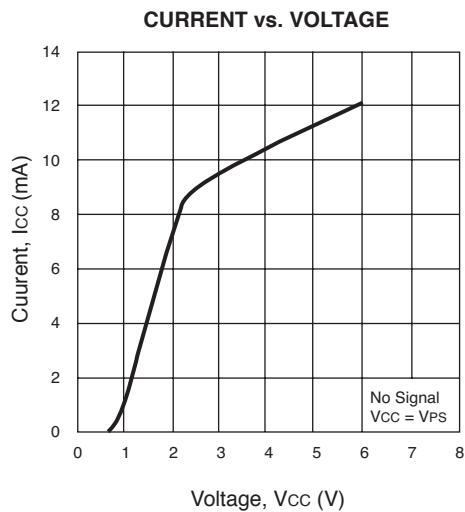
RECOMMENDED OPERATING CONDITIONS

SYMBOLS	PARAMETERS	UNITS	MIN	TYP	MAX
V _{CC}	Supply Voltage ¹	V	2.7	3.0	5.5
T _{OP}	Operating Temperature	°C	-40	+25	+85
P _{LO}	LO Input Level ²	dBm	-10	-5	0
f _{RFout}	RF Output Frequency ³	GHz	0.4		2.5
f _{IFin}	IF Input Frequency	MHz	100		400

Notes:

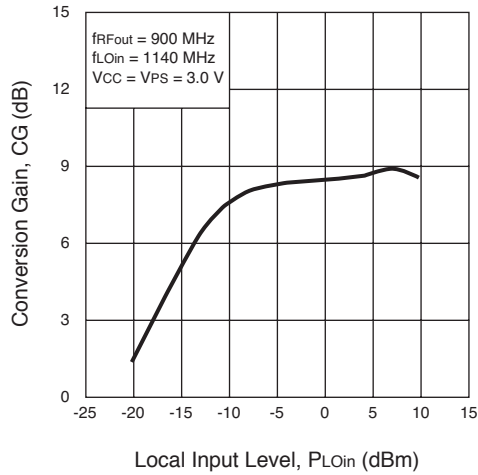
1. The same voltage should be supplied to pin 5 and 6.
2. Z_S = 50 Ω (without matching).
3. With external matching circuit.

TYPICAL PERFORMANCE CURVES (T_A = +25°C, V_{CC} = V_{RFout})

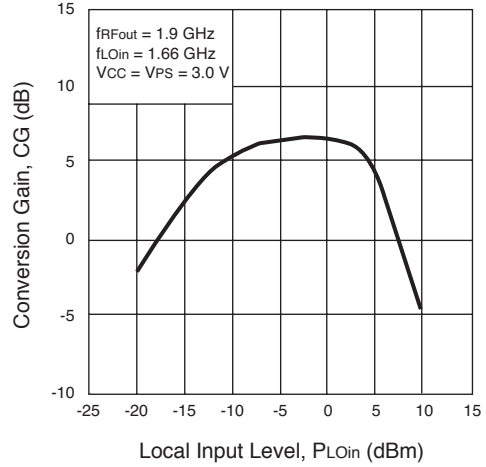


TYPICAL PERFORMANCE CURVES ($T_A = +25^\circ\text{C}$, $V_{CC} = V_{RFout}$)

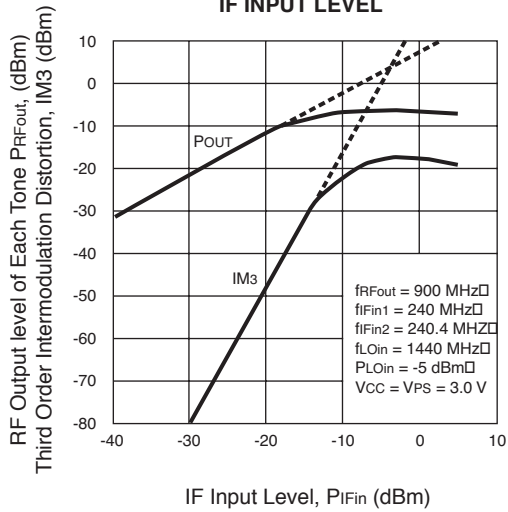
CONVERSION GAIN vs. LOCAL INPUT LEVEL



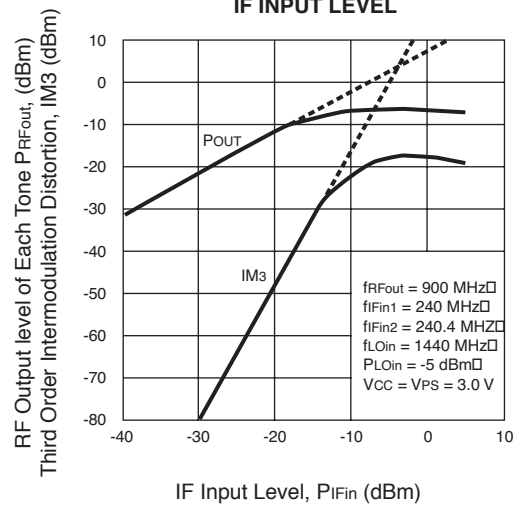
CONVERSION GAIN vs. LOCAL INPUT LEVEL



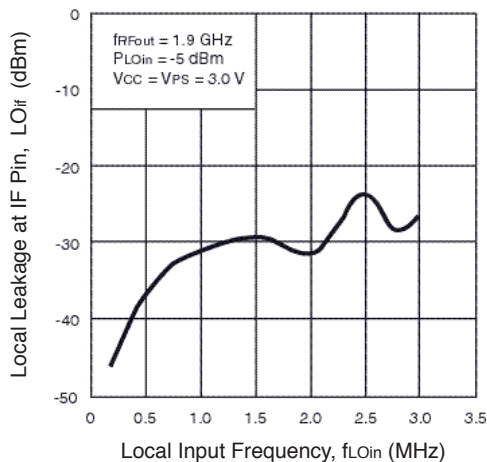
RF OUTPUT LEVEL AND IM3 vs. IF INPUT LEVEL



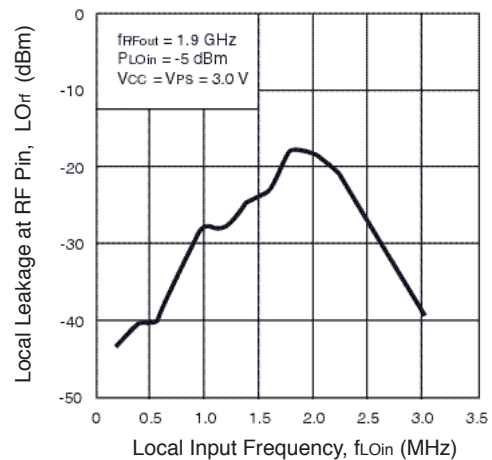
RF OUTPUT LEVEL AND IM3 vs. IF INPUT LEVEL



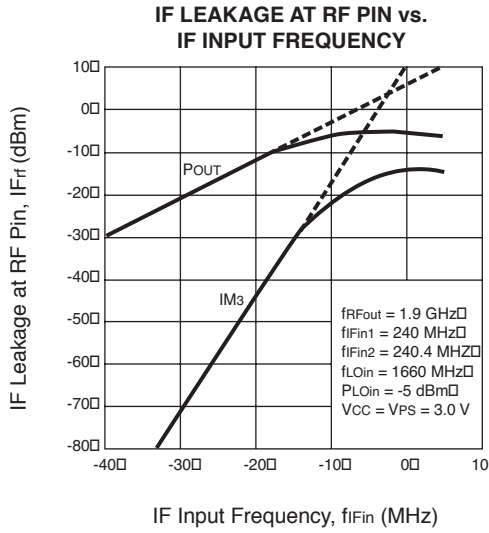
LOCAL LEAKAGE AT IF PIN vs. LOCAL INPUT FREQUENCY



LOCAL LEAKAGE AT RF PIN vs. LOCAL INPUT FREQUENCY



TYPICAL PERFORMANCE CURVES ($T_A = +25^\circ\text{C}$, $V_{CC} = V_{RFout}$)

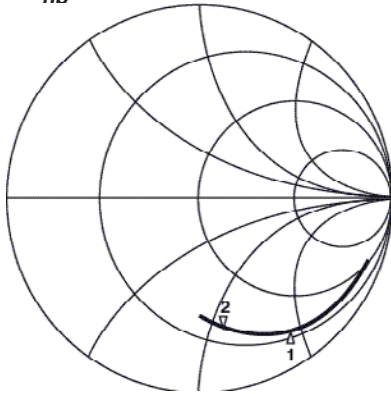


S-PARAMETERS FOR EACH PORT ($V_{CC} = V_{PS} = V_{RFout} = 3.0 \text{ V}$)

LO port

S_{11} Z
 REF 1.0 Units
 2 200.0 mUnits/
 ▽ 21.201 Ω -53.748 Ω
hp

MARKER 1
 1.15 GHz
 MARKER 2
 1.65 GHz



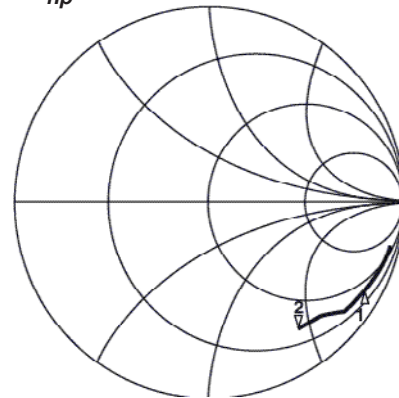
START 0.4 GHz

STOP 1.9 GHz

RF port

S_{22} Z
 REF 1.0 Units
 2 200.0 mUnits/
 ▽ 26.961 Ω -87.312 Ω
hp

MARKER 1
 900 MHz
 MARKER 2
 1.9 GHz



START 0.4 GHz

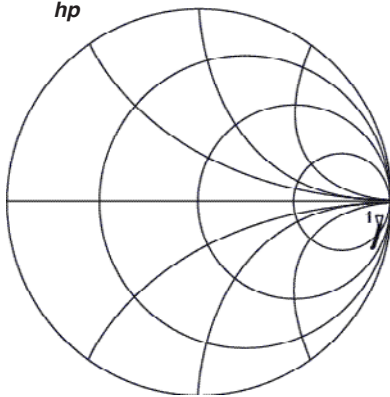
STOP 1.9 GHz

S-PARAMETERS FOR EACH PORT ($V_{CC} = V_{PS} = V_{RFout} = 3.0\text{ V}$)

IF port

S11 Z
 REF 1.0 Units
 1 200.0 mUnits/
 ∇ 194.16 Ω -579.53 Ω
hp

MARKER 1
 240 MHz



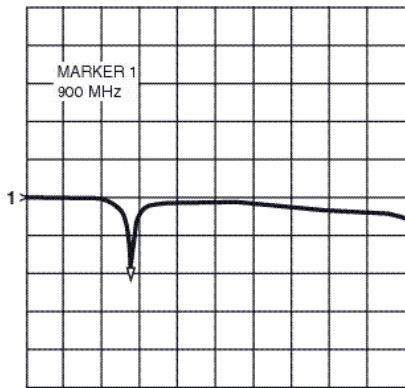
START 0.1 GHz STOP 0.4 GHz

S-PARAMETERS FOR MATCHED RF OUTPUT

($V_{CC} = V_{PS} = V_{RFout} = 3.0\text{ V}$) - with TEST CIRCUITS 1 and 2 - (S_{22} data is monitored at RF connector on board.)

900 MHz (LC-matched) in test circuit

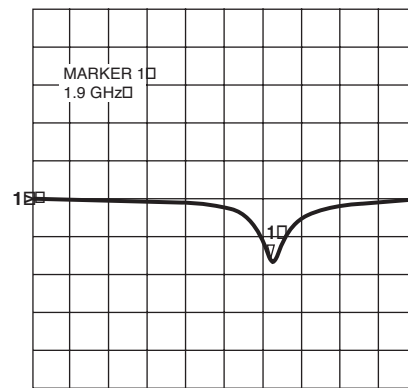
S11 log MAG
 REF 0.0 dB
 1 10.0 dB/
 ∇ -19.567 dB
hp



START 100 MHz STOP 3000 MHz

1.9 GHz (LC-matched) in test circuit

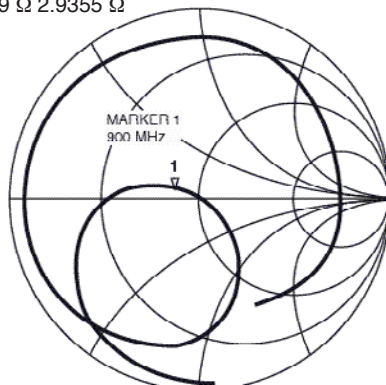
S22 log MAG
 REF 0.0 dB
 1 10.0 dB/
 ∇ -15.213 dB
hp



START 100 MHz STOP 3000 MHz

S22

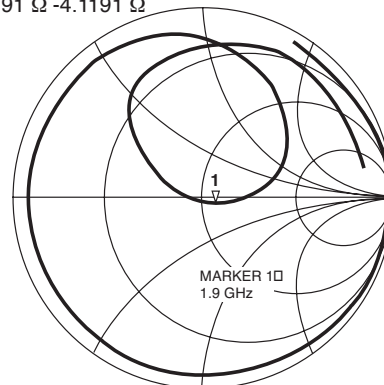
REF 1.0 Units
 1 200.0 mUnits/
 ∇ 36.59 Ω 2.9355 Ω
hp



START 100 MHz STOP 3000 MHz

S22

REF 1.0 Units
 1 200.0 mUnits/
 ∇ 58.191 Ω -4.1191 Ω
hp



START 100 MHz STOP 3000 MHz

PIN FUNCTIONS

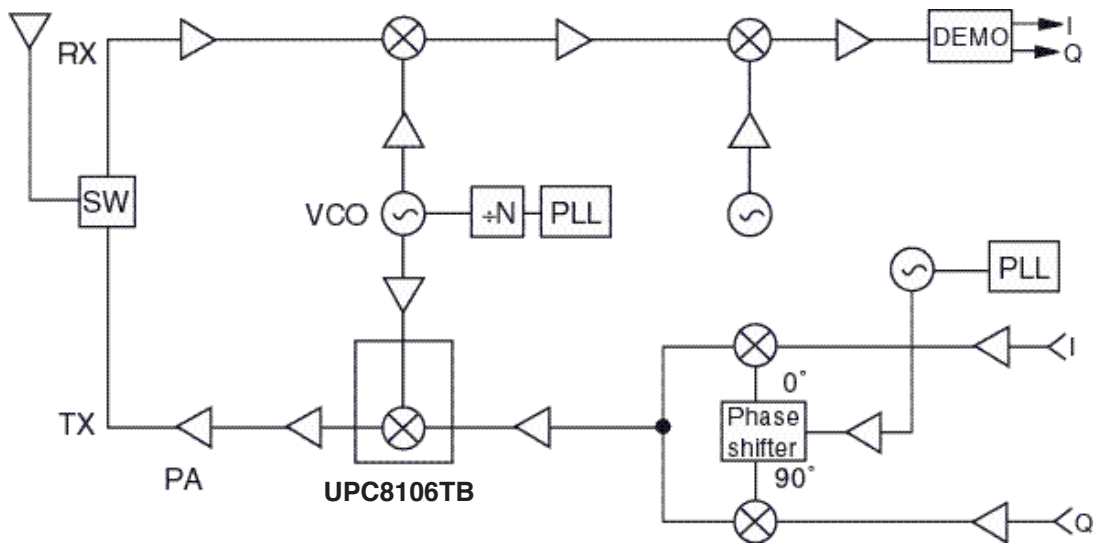
Pin No.	Symbol	Supply Voltage (V)	Pin ¹ Voltage (V)	Description	Equivalent Circuit						
1	IF Input	–	1.3	This pin is the IF input to the double balanced mixer. The input is a high impedance.							
2	GND	0	–	GND pin. Ground pattern on the board should be as wide as possible. Trace length should be kept as short as possible to minimize ground impedance.							
3	LOIN	–	2.4	LO input pin. Recommended input level is -10 to 0 dBm.							
5	Vcc	2.7 to 5.5	–	Supply voltage pin.							
6	RF Output	2.7 to 3.6	–	This pin is the RF output. This pin is designed as an open collector. Due to the high impedance output, this pin requires an external LC matching circuit.							
4	Vps	Vcc/GND	–	Power save control pin. Bias controls operation as follows: <table border="1" style="margin: 10px auto;"> <thead> <tr> <th>Pin Bias</th> <th>Control</th> </tr> </thead> <tbody> <tr> <td>Vcc</td> <td>ON</td> </tr> <tr> <td>GND</td> <td>Power Save</td> </tr> </tbody> </table>	Pin Bias	Control	Vcc	ON	GND	Power Save	
Pin Bias	Control										
Vcc	ON										
GND	Power Save										

Note:

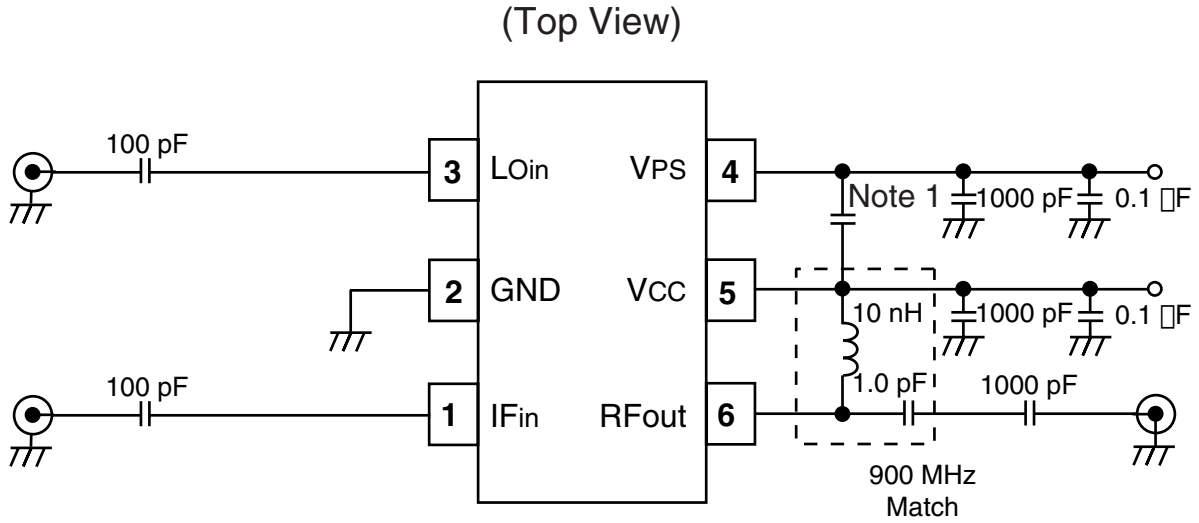
1. Each pin voltage is measured with Vcc = Vps = VRFout = 3.0 V

SYSTEM APPLICATION EXAMPLE

EXAMPLE OF DECT 900 MHz Cordless Phone



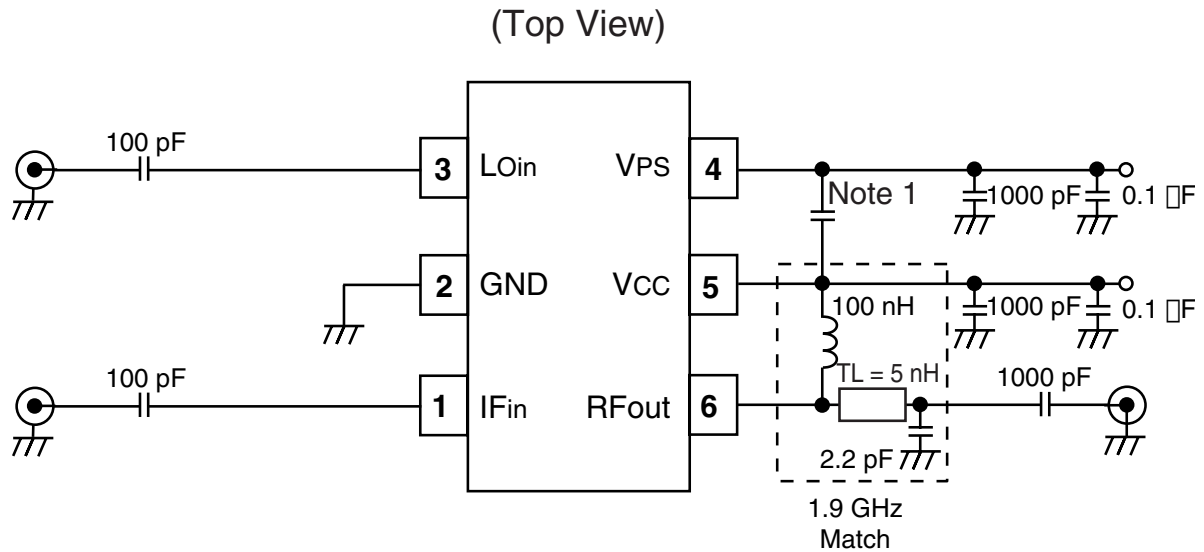
TEST CIRCUIT 1 (RF_{OUT} = 900 MHz)



Note:

1. In case of unstable operation, connect 100 pF capacitor between pins 4 and 5.

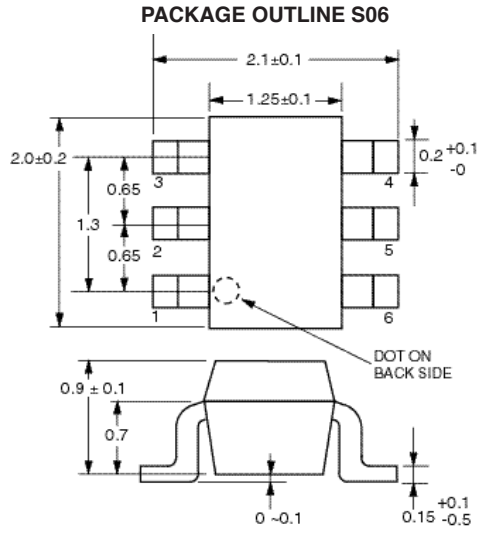
TEST CIRCUIT 2 (RF_{OUT} = 1.9 GHz)



Note:

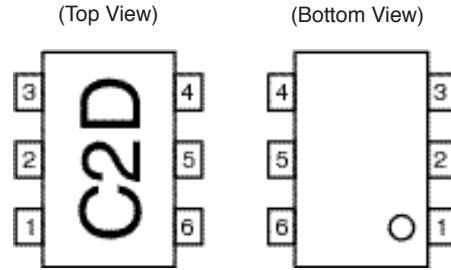
1. In case of unstable operation, connect 100 pF capacitor between pins 4 and 5.

OUTLINE DIMENSIONS (Units in mm)



Note:
All dimensions are typical unless otherwise specified.

LEAD CONNECTIONS



- 1. IF INPUT
- 2. GND
- 3. LO INPUT
- 4. POWER SAVE
- 5. V_{CC}
- 6. RF OUTPUT

ORDERING INFORMATION

PART NUMBER	QTY
UPC8106TB-E3-A	3K/Reel

Note:
Embossed Tape, 8 mm wide,
Pins 1, 2, and 3 face tape perforation side.

Компания «Life Electronics» занимается поставками электронных компонентов импортного и отечественного производства от производителей и со складов крупных дистрибьюторов Европы, Америки и Азии.

С конца 2013 года компания активно расширяет линейку поставок компонентов по направлению коаксиальный кабель, кварцевые генераторы и конденсаторы (керамические, пленочные, электролитические), за счёт заключения дистрибьюторских договоров

Мы предлагаем:

- Конкурентоспособные цены и скидки постоянным клиентам.
- Специальные условия для постоянных клиентов.
- Подбор аналогов.
- Поставку компонентов в любых объемах, удовлетворяющих вашим потребностям.
- Приемлемые сроки поставки, возможна ускоренная поставка.
- Доставку товара в любую точку России и стран СНГ.
- Комплексную поставку.
- Работу по проектам и поставку образцов.
- Формирование склада под заказчика.
- Сертификаты соответствия на поставляемую продукцию (по желанию клиента).
- Тестирование поставляемой продукции.
- Поставку компонентов, требующих военную и космическую приемку.
- Входной контроль качества.
- Наличие сертификата ISO.

В составе нашей компании организован Конструкторский отдел, призванный помогать разработчикам, и инженерам.

Конструкторский отдел помогает осуществить:

- Регистрацию проекта у производителя компонентов.
- Техническую поддержку проекта.
- Защиту от снятия компонента с производства.
- Оценку стоимости проекта по компонентам.
- Изготовление тестовой платы монтаж и пусконаладочные работы.



Тел: +7 (812) 336 43 04 (многоканальный)

Email: org@lifeelectronics.ru