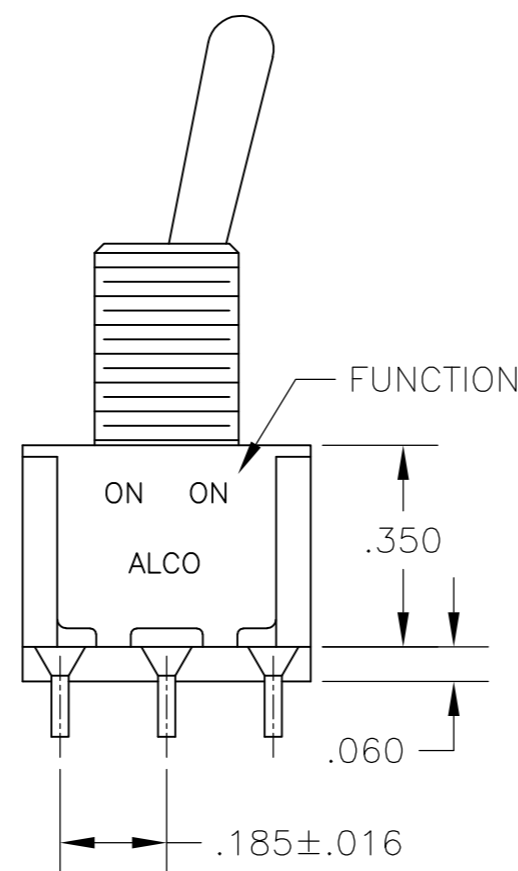
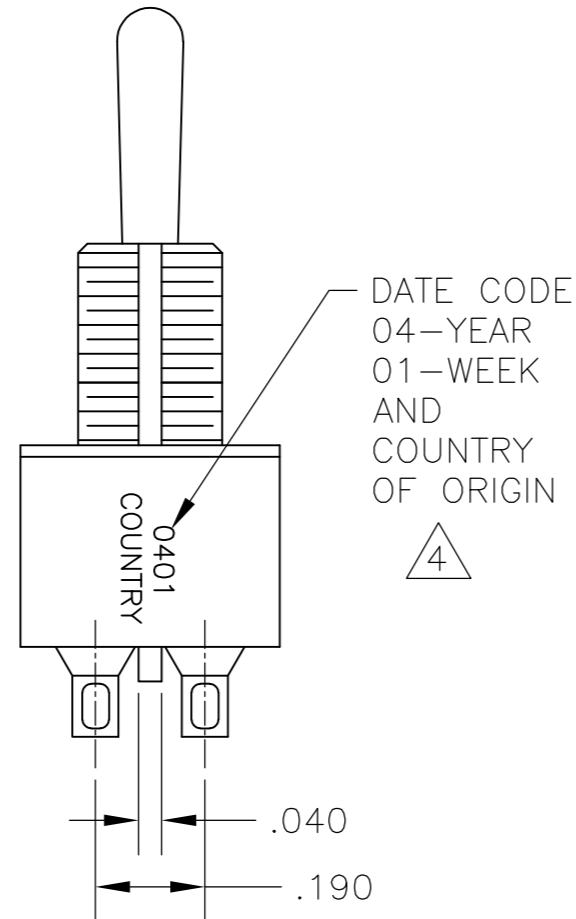
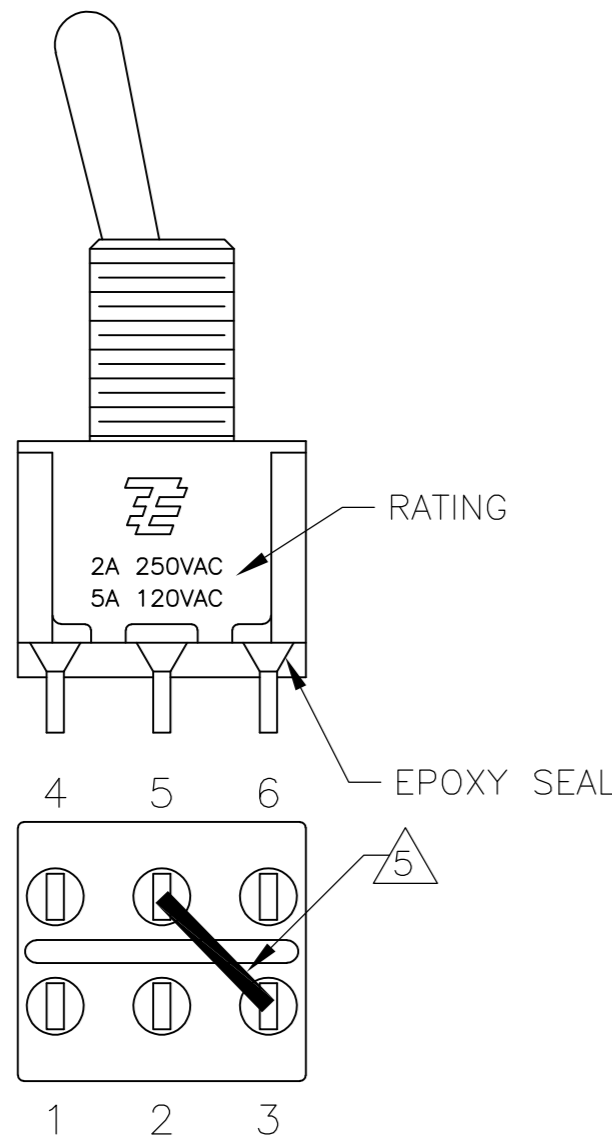
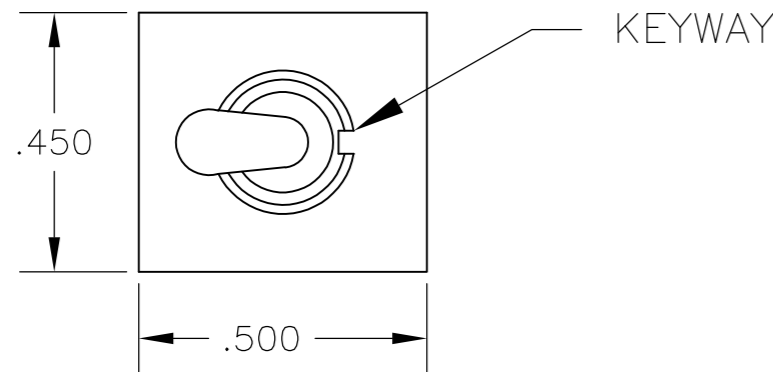


THIS DRAWING IS UNPUBLISHED. RELEASED FOR PUBLICATION
 © COPYRIGHT - By - ALL RIGHTS RESERVED.

| LOC | | DIST | | REVISIONS | | | |
|-----|-----|---------------------------|-----------|-----------|------|--|--|
| P | LTR | DESCRIPTION | DATE | DWN | APVD | | |
| AD | 00 | | | | | | |
| | A4 | REVISED PER ECO-14-005988 | 23APR2014 | NK | RH | | |



- ALL MATERIALS AND FINISHES SHALL COMPLY WITH EU DIRECTIVE 2002/95/EC OF 27JAN2003 (ROHS).
 - EACH SWITCH WITH THREADED BUSHINGS SUPPLIED WITH THE FOLLWING MOUNTING HARDWARE:
 (2) HEX NUTS
 (1) INTERNAL TOOTH LOCKWASHER
 (1) LOCATING RING.
 - G CONTACT OPTION CAN BE USED FOR SIGNAL OR POWER LEVEL SWITCHING. IF SWITCH IS USED AT LEVELS EXCEEDING .4VA @ 20V AC/DC, SWITCH IS RENDERED FOR POWER SWITCHING ONLY DUE TO ARC REMOVAL OF GOLD PLATING. RATING MARKED ON FRAME IS 2A 250VAC, 5A 120VAC.
- △4 DATE CODE AND COUNTRY OF ORIGIN MAY APPEAR ON EITHER SIDE OF SWITCH.
- △5 SP3T FUNCTION ACHIEVED WITH FUNCTIONS 11, 13 & 15 BY CUSTOMER APPLIED JUMPER BETWEEN TERMINALS 3 AND 5.
- △6 LENGTH OF TOGGLE REDUCED BY .020 WITH A, AV2, V30 OR V40 VERTICAL SUPPORT BRACKET.
- 7 ALL LOGO, RATING, DATE CODE, AND FUNCTION MARKINGS TO BE LASER MARKED.

| SPECIFICATIONS CHART | |
|---------------------------------|--|
| RATING, B CONTACTS | .4VA MAX @20V MAX. AC OR DC |
| RATING, G CONTACTS—SEE NOTE 3 | .4VA MAX @20V MAX. AC OR DC OR 5A @120 VAC OR 28 VDC (RESISTIVE) |
| | 2A @250 VAC (RESISTIVE) |
| RATING, Q CONTACTS | 5A @120 VAC OR 28 VDC (RESISTIVE) |
| | 2A @250 VAC (RESISTIVE) |
| ELECTRICAL LIFE | 6,000 CYCLES AT RATED LOAD |
| CONTACT RESISTANCE | 10 MILLIOHMS MAX INITIAL @ 2-4VDC, 100ma |
| INSULATION RESISTANCE | 1,000 MEGOHMS MIN |
| DIELECTRIC WITHSTANDING VOLTAGE | 1,000 V RMS AT SEA LEVEL |
| OPERATING TEMPRATURE | -30C TO 85C |

| FUNCTION CHART | | | |
|--|-------------------------|-------------------------|-------------------------|
| FUNCTION | 1 2 3 4 5 6 | 1 2 3 4 5 6 | 1 2 3 4 5 6 |
| 03 | ON | OFF | ON |
| 05 | (ON) | OFF | (ON) |
| 07 | ON | OFF | (ON) |
| TERMINALS CONNECTED | 2-3, 5-6 | --- | 1-2, 4-5 |
| 11 | ON | ON | ON |
| 13 | ON | ON | (ON) |
| 15 | (ON) | ON | (ON) |
| TERMINALS CONNECTED | 2-3, 5-6 | 2-3, 4-5 | 1-2, 4-5 |
| SP3T SCHEMATIC (11, 13 & 15 ONLY) SEE NOTE 5 | 6 • 3 5 • 2 4 • 1 | 6 • 3 5 • 2 4 • 1 | 6 • 3 5 • 2 4 • 1 |
| | IN 2, OUT 6 | IN 2, OUT 4 | IN 2, OUT 1 |
| None: No mechanical position Off: Mechanical position with no electrical connection (On): Momentary action | | | |

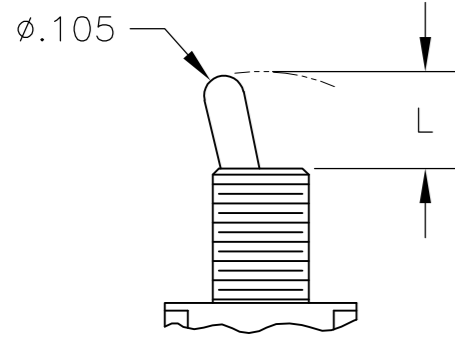
| PART NUMBER SEQUENCE CHART | | | | | | |
|----------------------------|----------|--------|---------|----------|---------|------|
| MODEL | FUNCTION | TOGGLE | BUSHING | TERMINAL | CONTACT | RoHS |
| A2 | 03 | K | CW | A | B | 04 |
| | 05 | K1 | D | AV2 | G | |
| | 07 | L | D9 | C | Q | |
| | 11 | L1 | H | V30 | | |
| | 13 | L2 | Y | V40 | | |
| | 15 | M | Y9 | V70 | | |
| | | P3 | | W | | |
| | | S | | W4 | | |
| | | T | | Z | | |
| | | T1 | | Z3 | | |

EXAMPLE: A207SYZQ04

| | | | | | | |
|--|--|----------------------|---|-----------------|----------------------|-----------------|
| THIS DRAWING IS A CONTROLLED DOCUMENT. | | DWN M. ZITTO 18MAY05 | TE Connectivity | | | |
| DIMENSIONS: INCHES | | CHK M. ZITTO | | | | |
| TOLERANCES UNLESS OTHERWISE SPECIFIED: | | APVD M. ZITTO | NAME GEMINI A SERIES TOGGLE SWITCH, DOUBLE POLE, 3 POSITION FUNCTIONS (03, 05, 07, 11, 13 & 15) | | | |
| 0 PLC ± - | | PRODUCT SPEC | | | | |
| 1 PLC ± - | | APPLICATION SPEC | SIZE A2 | CAGE CODE 00779 | DRAWING NO C=1825139 | RESTRICTED TO - |
| 2 PLC ± - | | | SCALE 3:1 | | SHEET 1 of 4 | REV A4 |
| 3 PLC ± .010 | | | CUSTOMER DRAWING | | | |
| 4 PLC ± - | | | | | | |
| ANGLES ± 2° | | | | | | |
| FINISH - | | | | | | |

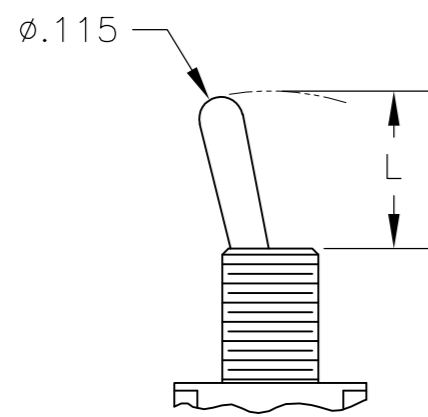
THIS DRAWING IS UNPUBLISHED. RELEASED FOR PUBLICATION
 © COPYRIGHT - By - ALL RIGHTS RESERVED.

TOGGLES



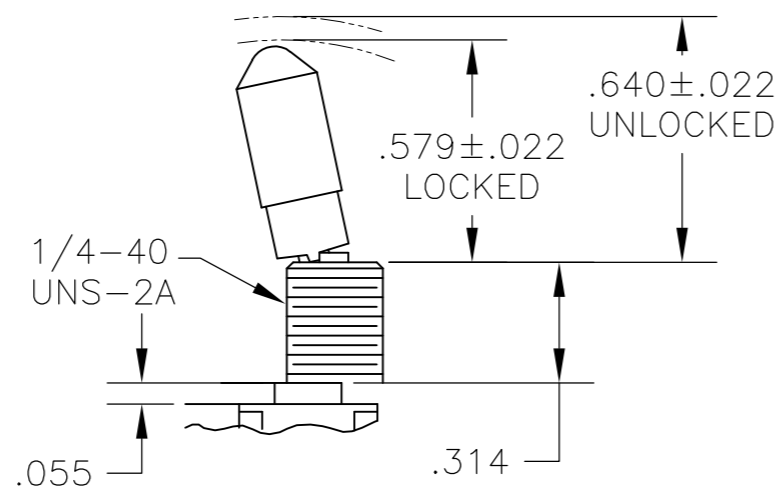
M SHORT

| DIM L | BUSHING TYPE |
|-------|--------------|
| .200 | Y, H |
| .270 | D, D9 |



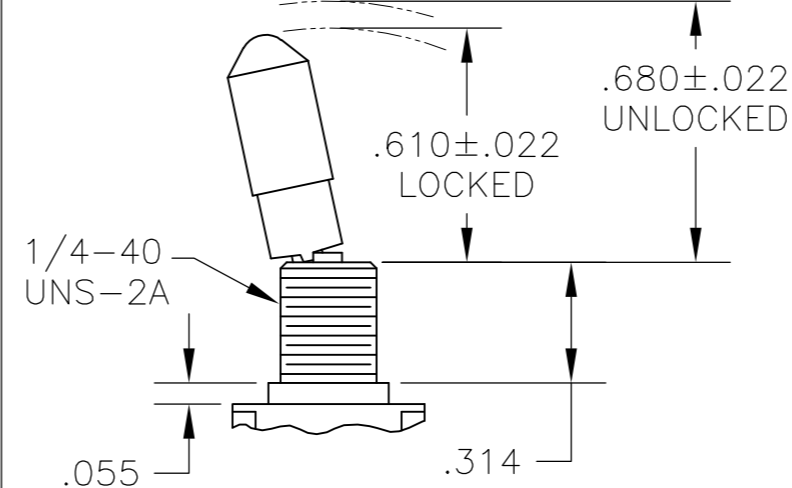
S STANDARD

| DIM L | BUSHING TYPE |
|-------|--------------|
| .410 | Y, H |
| .480 | D, D9 |



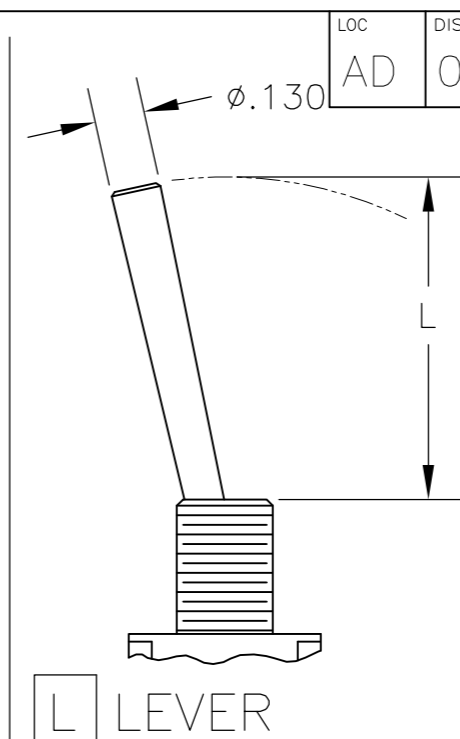
K

NO BUSHING OPTION NEEDED



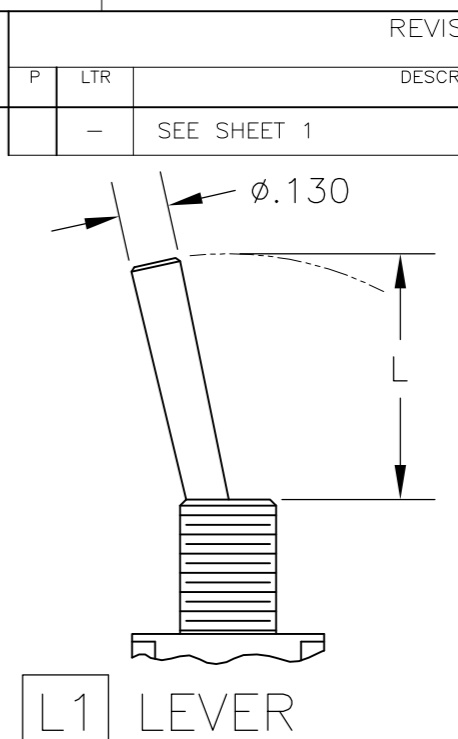
K1

NO BUSHING OPTION NEEDED



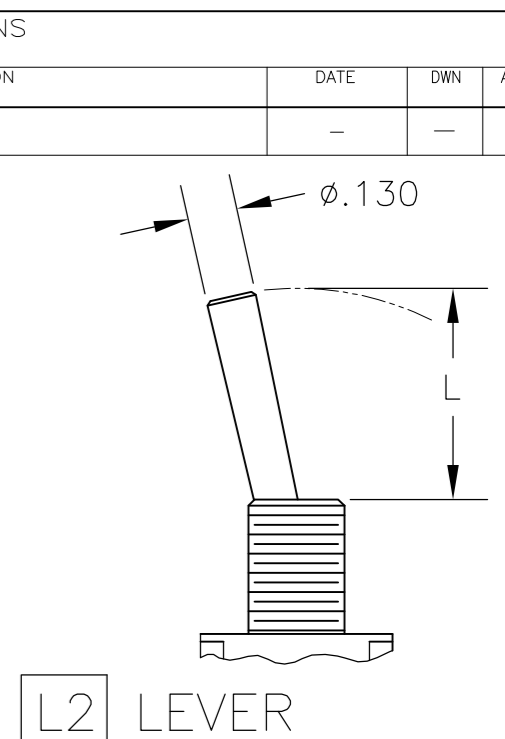
L LEVER

| DIM L | BUSHING TYPE |
|-------|--------------|
| .840 | Y, H |
| .910 | D, D9 |



L1 LEVER

| DIM L | BUSHING TYPE |
|-------|--------------|
| .640 | Y, H |
| .710 | D, D9 |

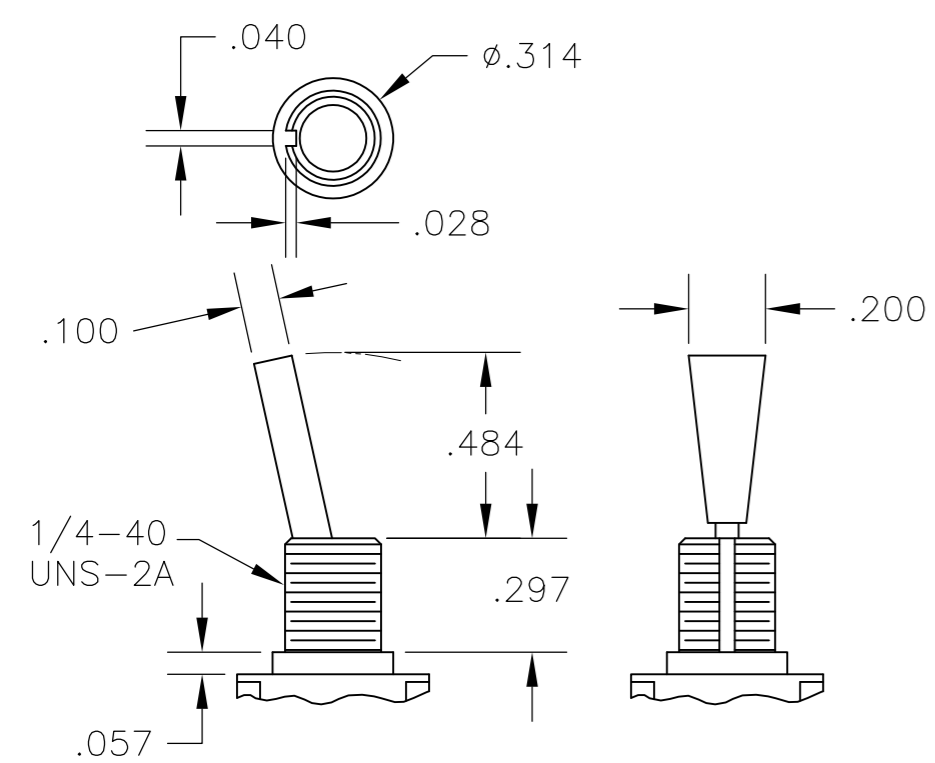


L2 LEVER

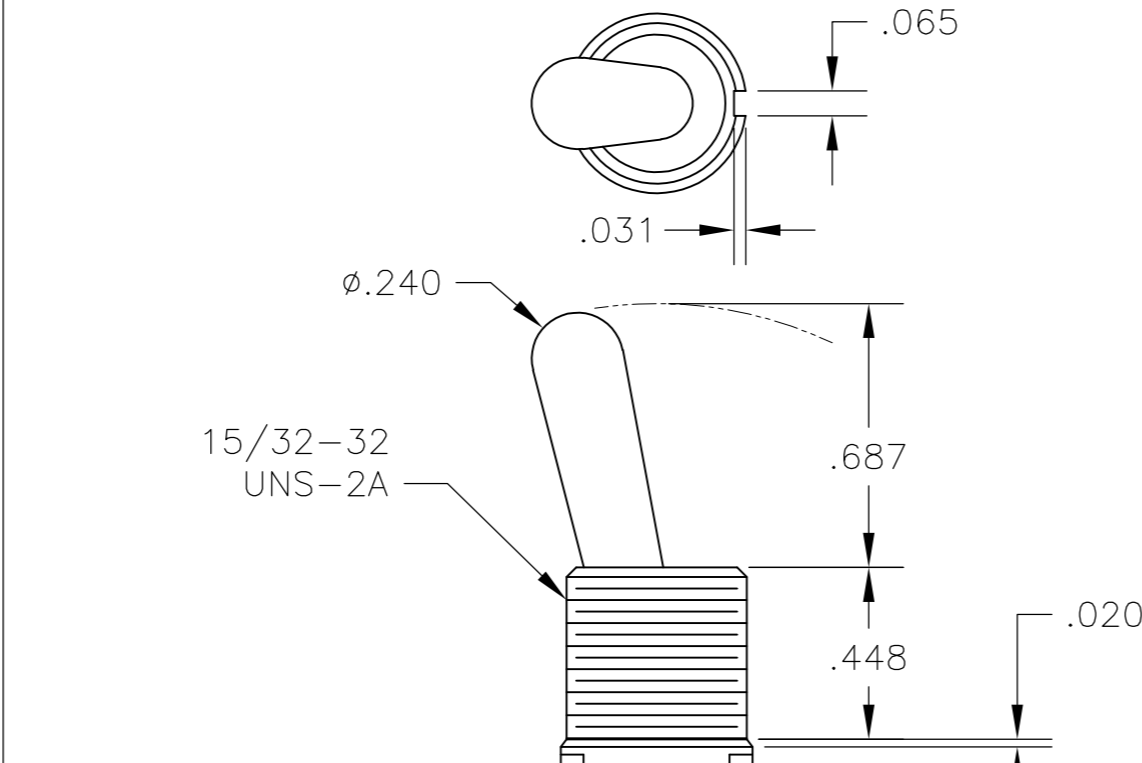
| DIM L | BUSHING TYPE |
|-------|--------------|
| .550 | Y, H |
| .620 | D, D9 |

| REVISIONS | | | |
|-----------|-----|-------------|------|
| P | LTR | DESCRIPTION | DATE |
| - | - | SEE SHEET 1 | - |

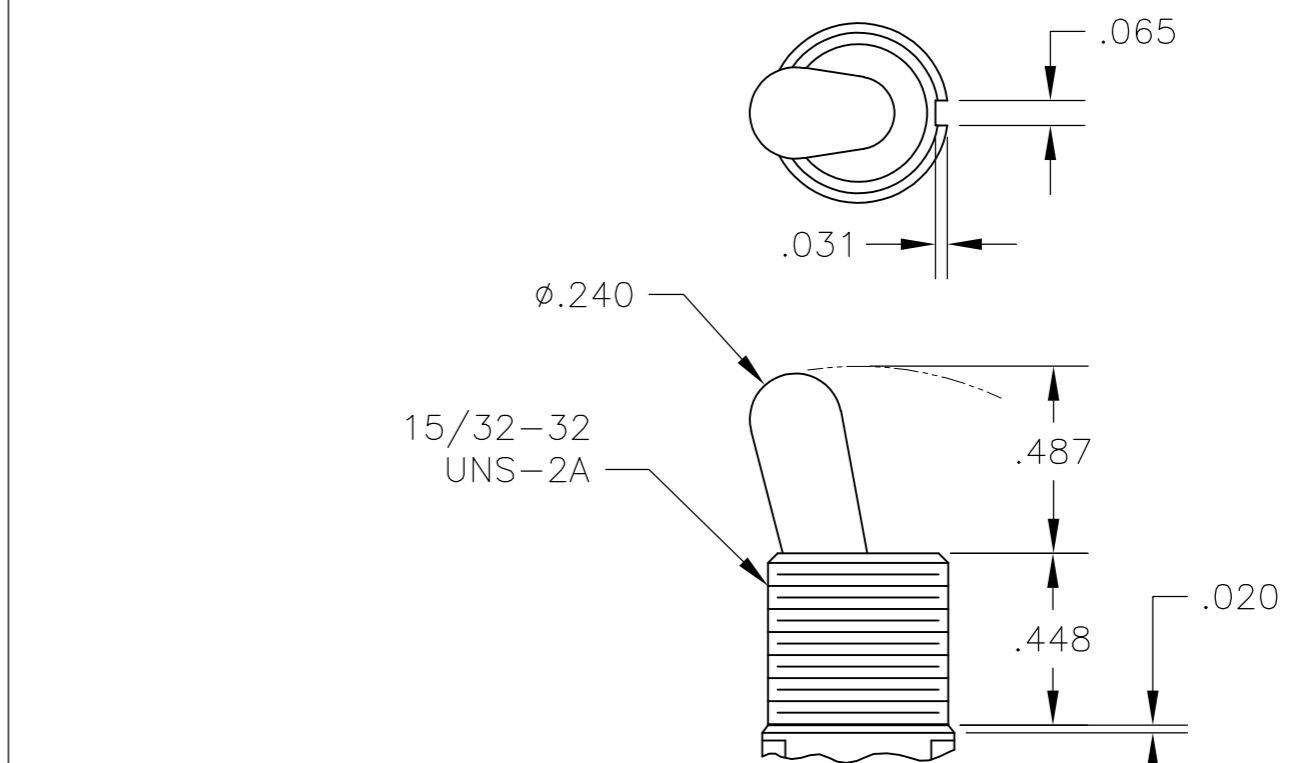
Loc AD DIST 00



P3 NO BUSHING OPTION NEEDED

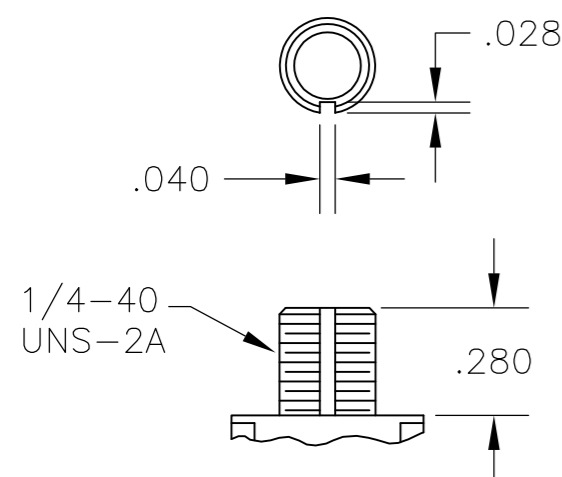


T NO BUSHING OPTION NEEDED

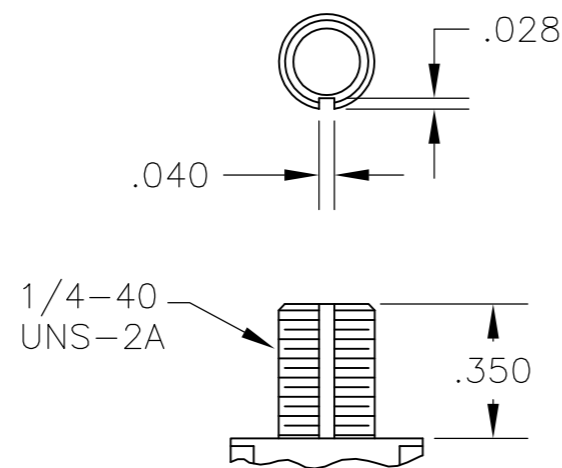


T1 NO BUSHING OPTION NEEDED

BUSHINGS

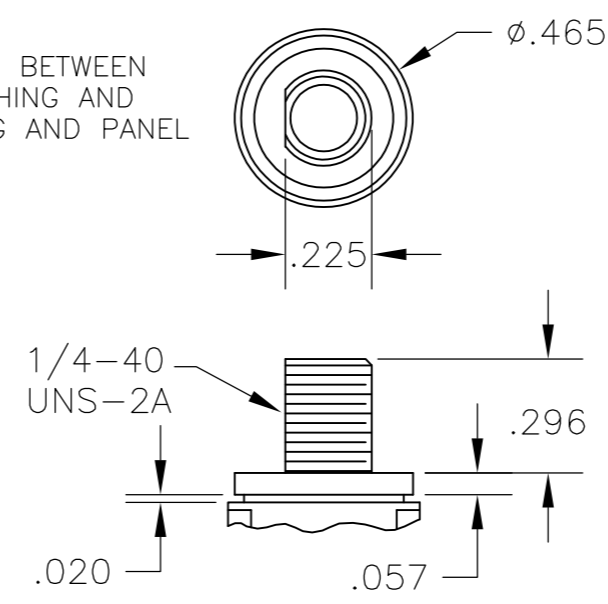


D THREADED
D9 UNTHREADED

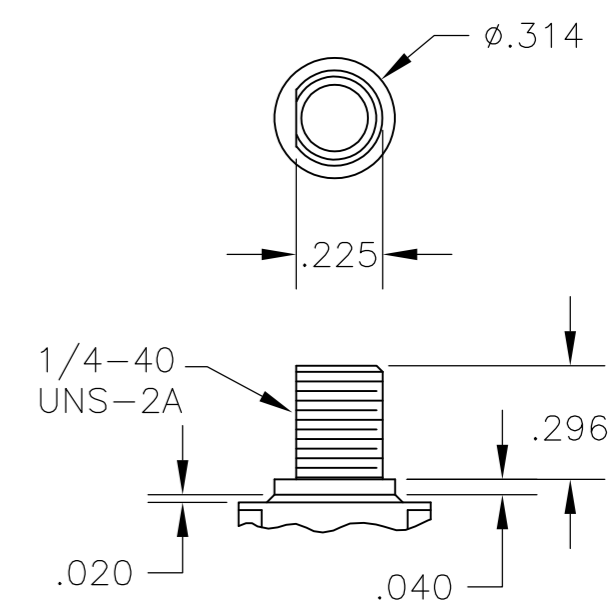


Y THREADED
Y9 UNTHREADED

CONTAINS O-RING BETWEEN TOGGLE AND BUSHING AND BETWEEN BUSHING AND PANEL



CW THREADED SPLASHPROOF

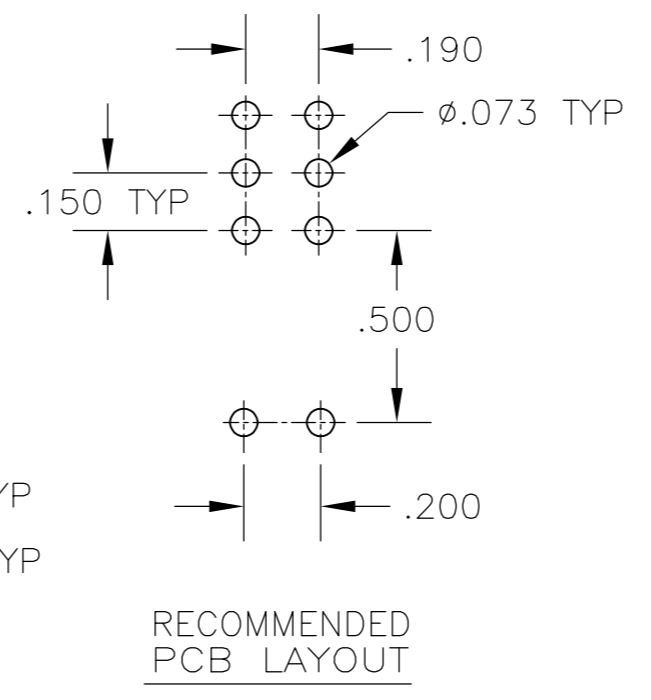
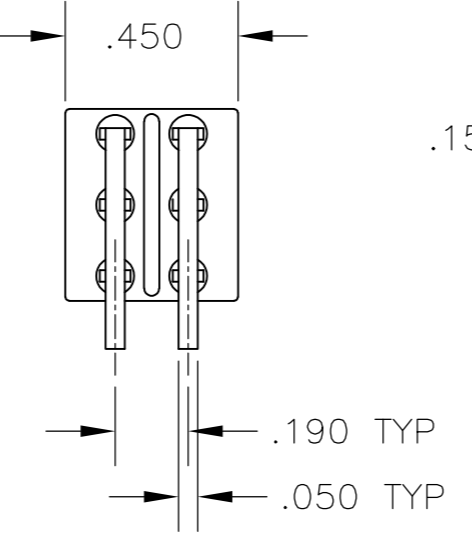
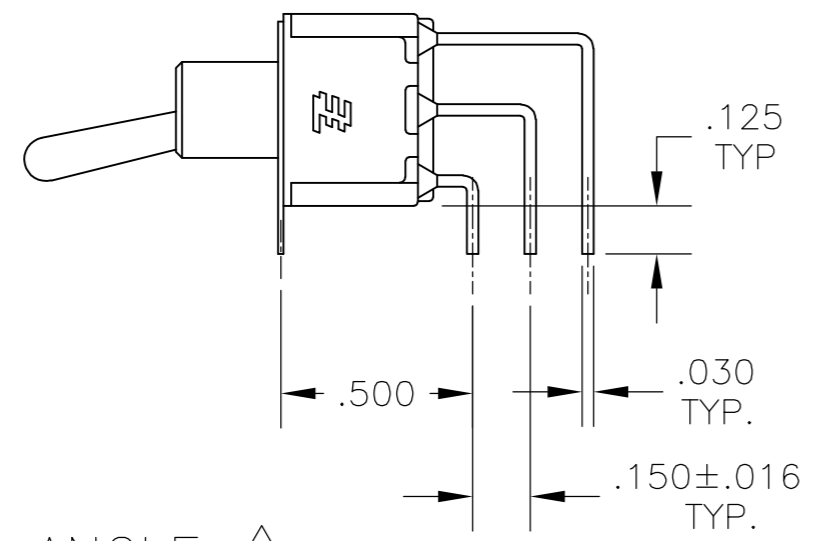
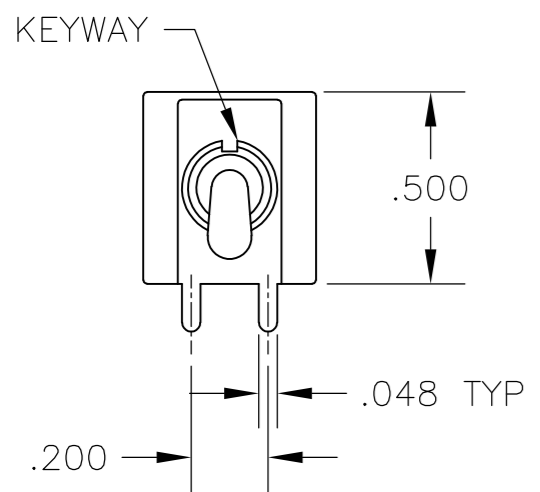


H HIGH TORQUE

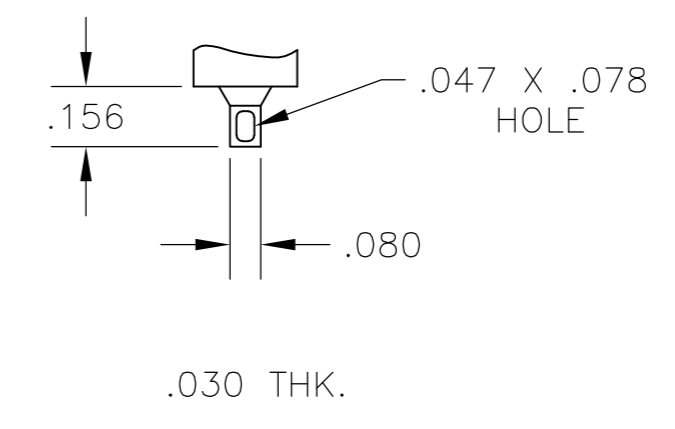
| | | | | | |
|---|--|----------------------|--|---|--------|
| THIS DRAWING IS A CONTROLLED DOCUMENT. | | DWN M. ZITTO 14APR05 | | TE Connectivity | |
| DIMENSIONS: INCHES | | CHK M. ZITTO | | NAME GEMINI A SERIES TOGGLE SWITCH, DOUBLE POLE, 3 POSITION FUNCTIONS (03, 05, 07, 11, 13 & 15) | |
| TOLERANCES UNLESS OTHERWISE SPECIFIED: | | APVD M. ZITTO | PRODUCT SPEC | | |
| 0 PLC ± - 1 PLC ± - 2 PLC ± - 3 PLC ± .010 4 PLC ± - ANGLES ± 2° | | APPLICATION SPEC | SIZE A2 CAGE CODE 00779 DRAWING NO C=1825139 | | |
| MATERIAL | | WEIGHT | RESTRICTED TO | | |
| FINISH | | CUSTOMER DRAWING | SCALE 2:1 SHEET 2 of 4 | | REV A4 |

THIS DRAWING IS UNPUBLISHED. RELEASED FOR PUBLICATION
 © COPYRIGHT - By - ALL RIGHTS RESERVED.

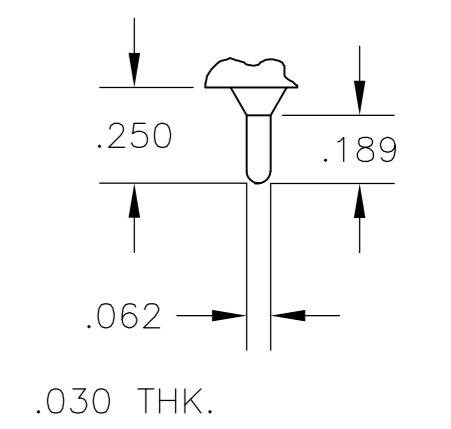
| LOC | DIST | REVISIONS | | | | |
|-----|------|-------------|------|-----|------|--|
| P | LTR | DESCRIPTION | DATE | DWN | APVD | |
| AD | 00 | SEE SHEET 1 | - | - | - | |



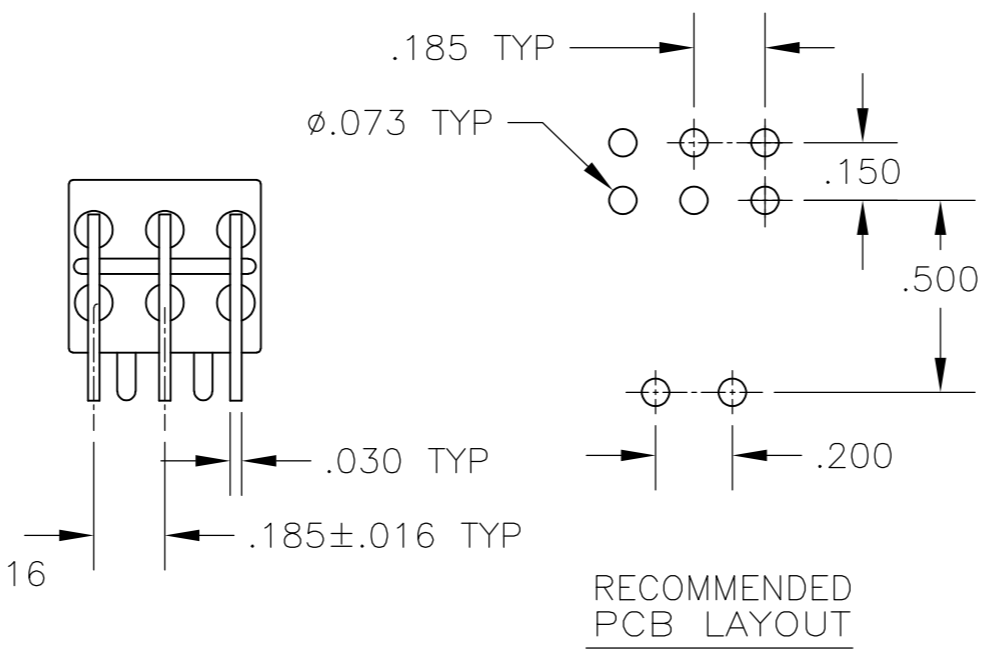
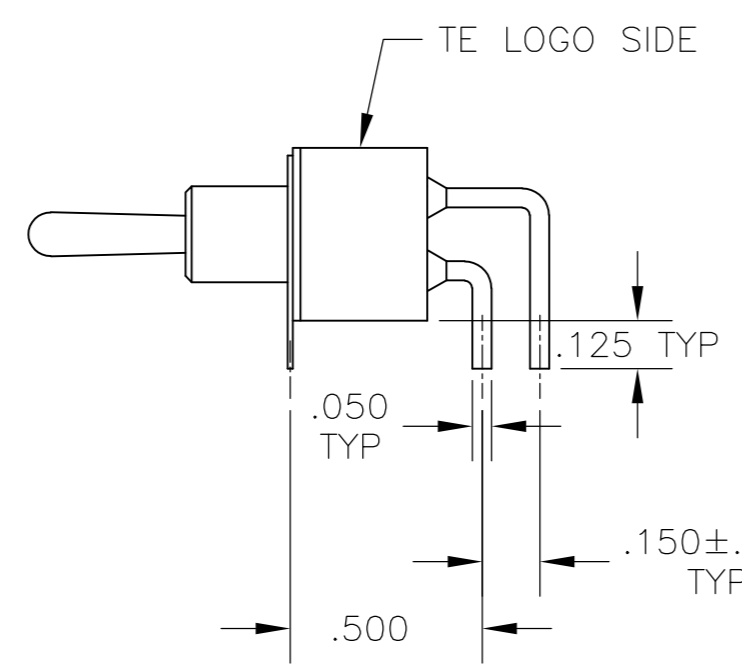
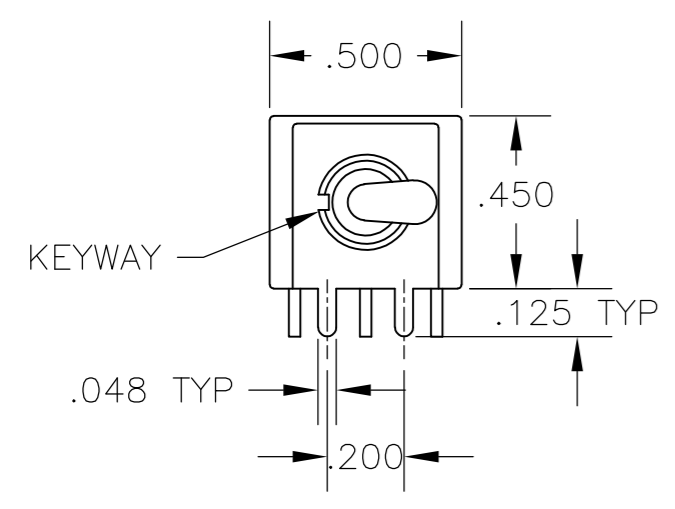
AV2 VERTICAL RIGHT ANGLE



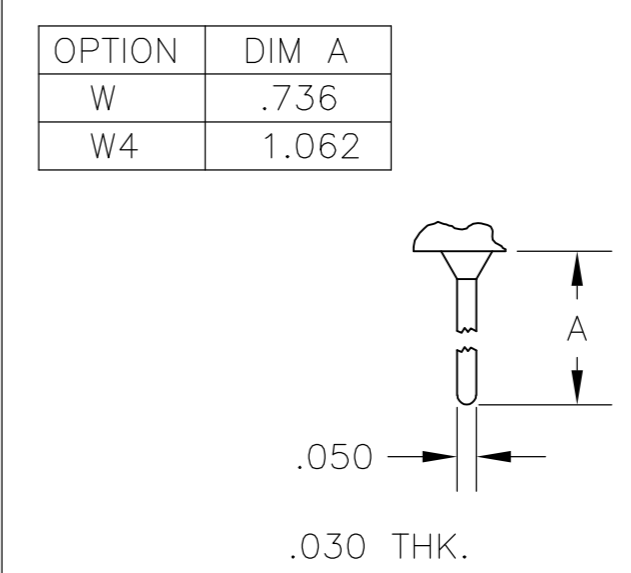
Z WIRE LUG



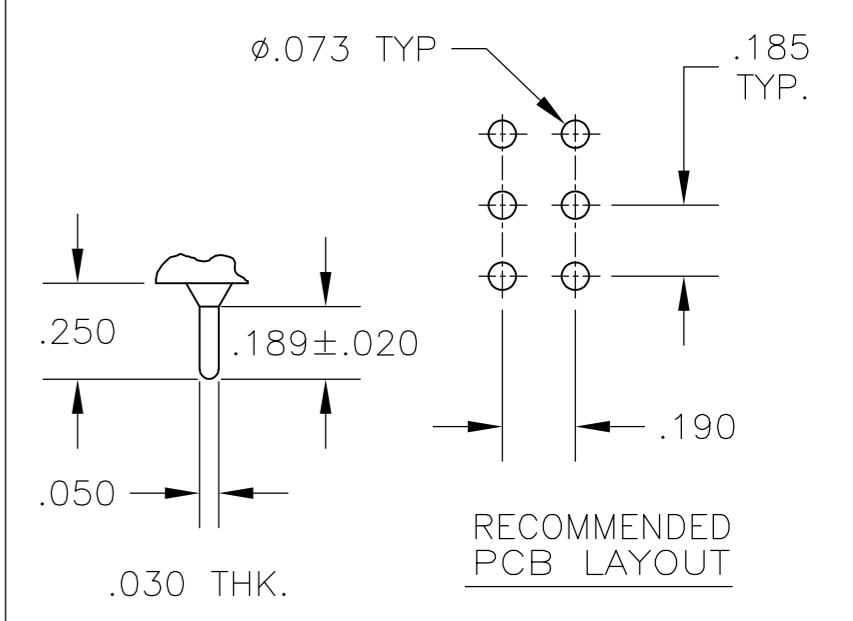
Z3 QUICK CONNECT



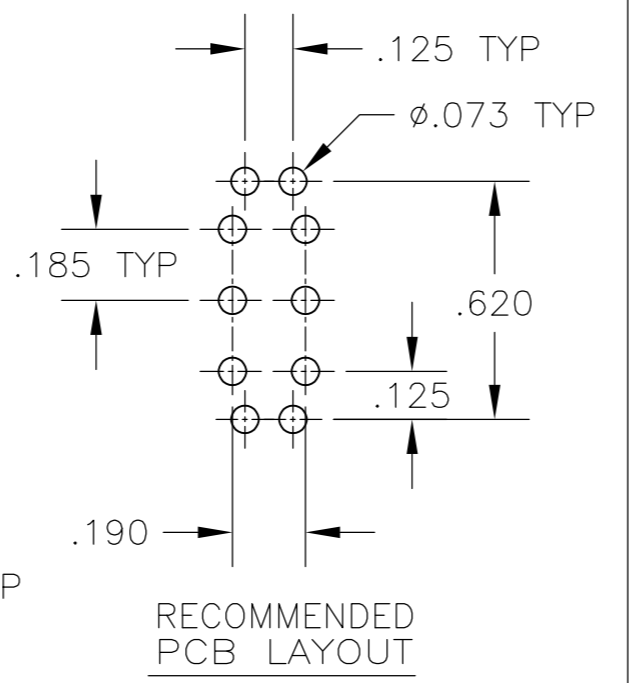
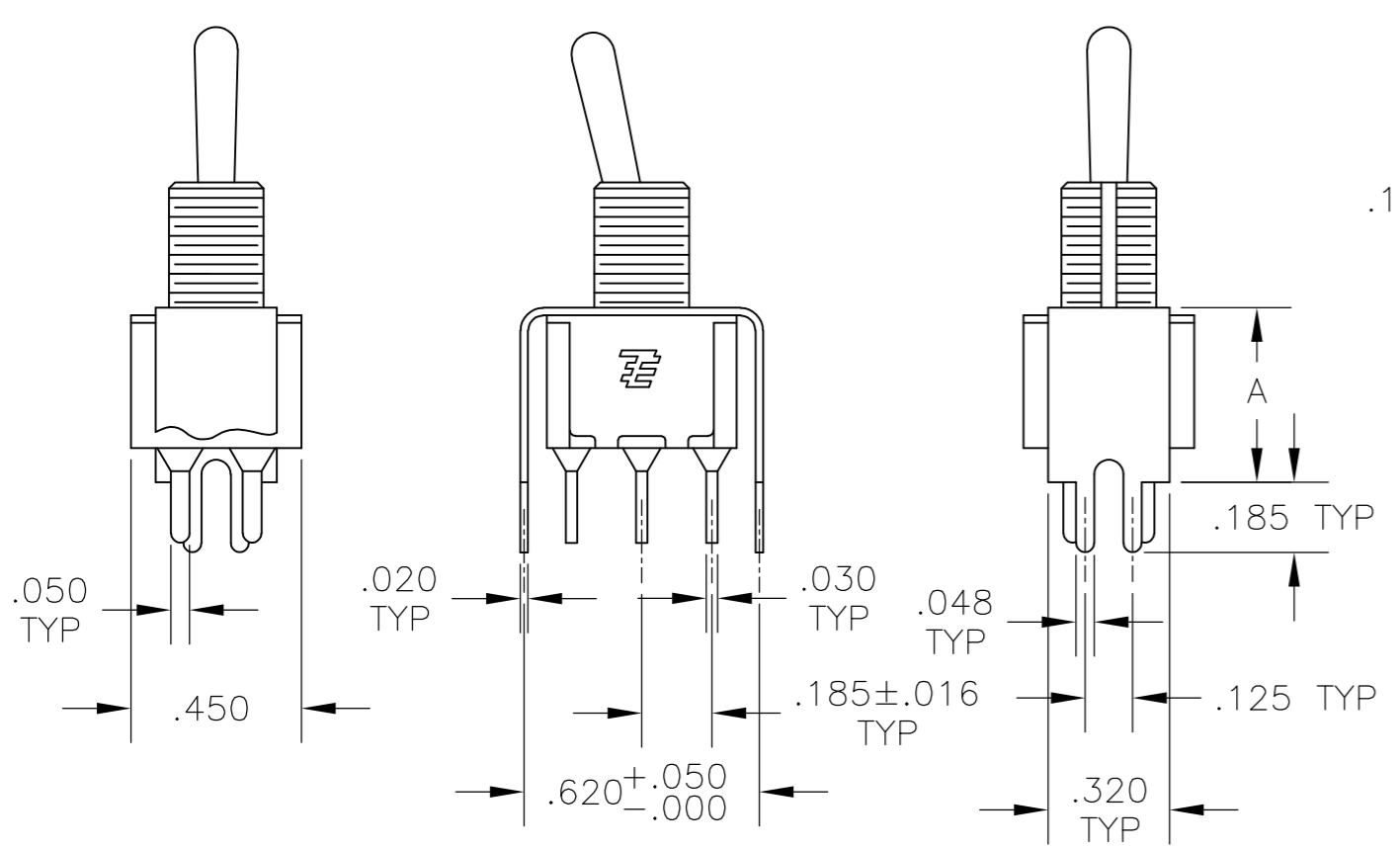
A RIGHT ANGLE



W W4 WIRE WRAP

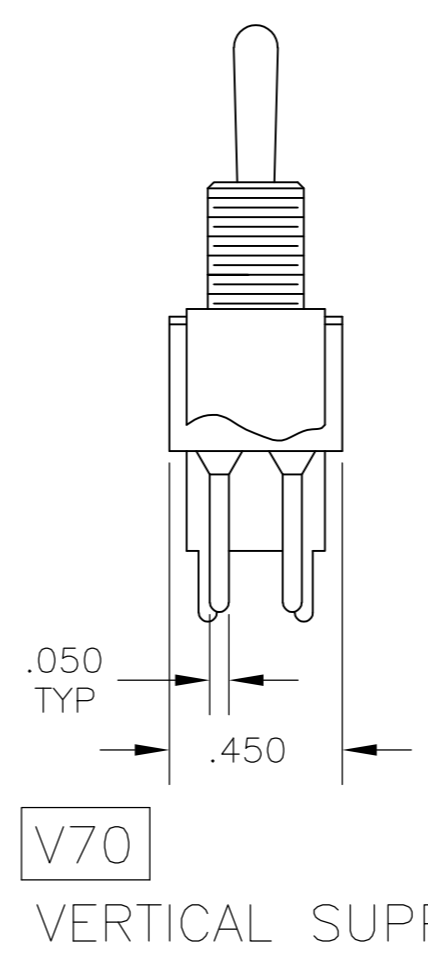


C PRINTED CIRCUIT

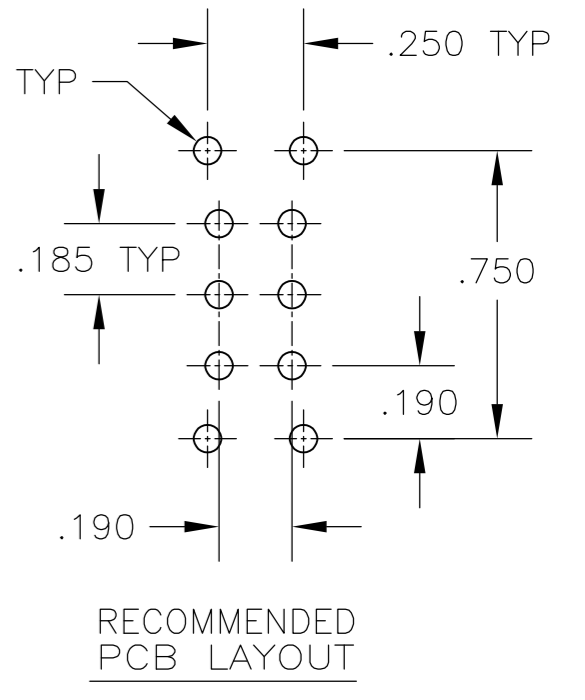
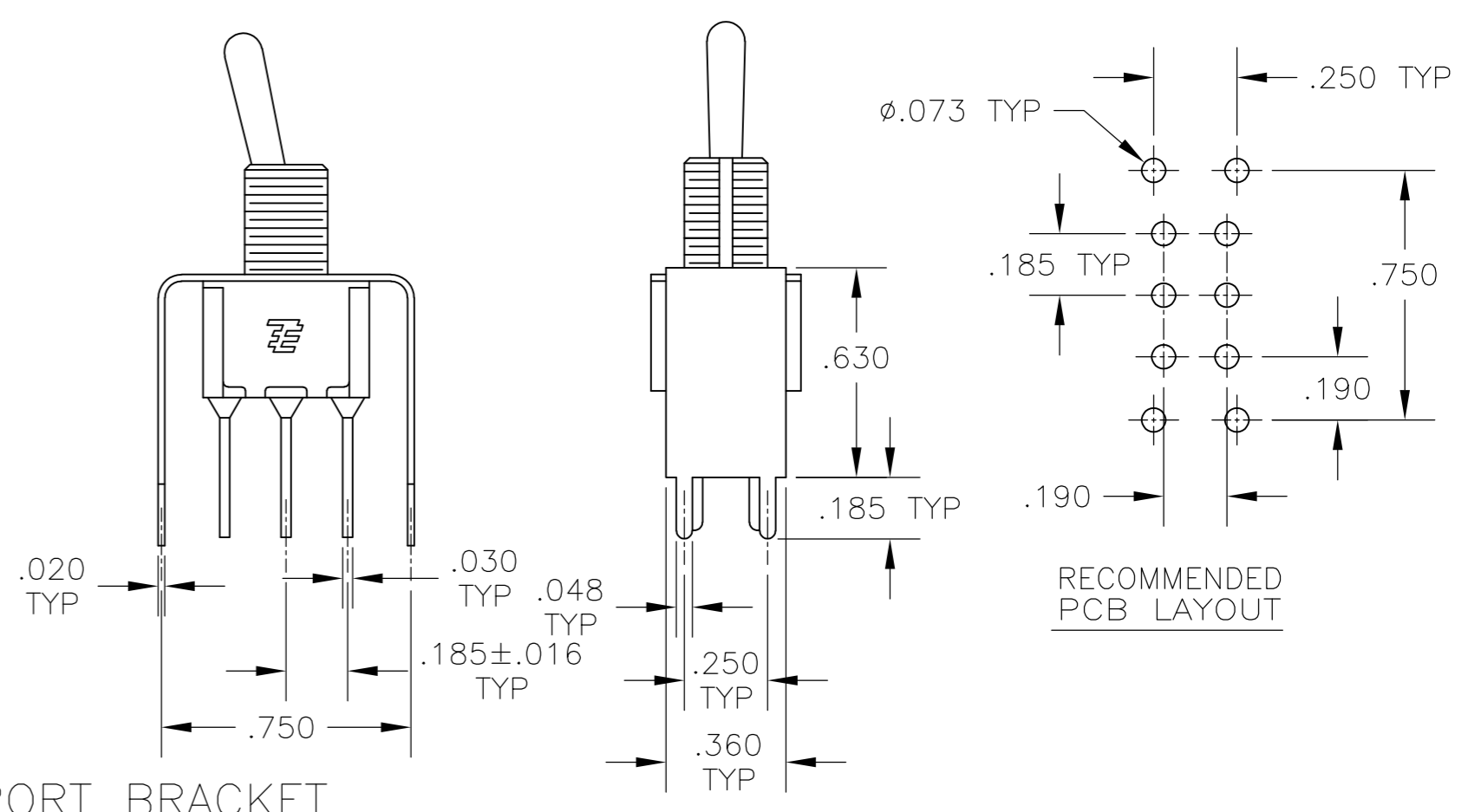


| OPTION | DIM A |
|--------|-------|
| V30 | .460 |
| V40 | .630 |

V30 V40 VERTICAL SUPPORT BRACKET



V70 VERTICAL SUPPORT BRACKET



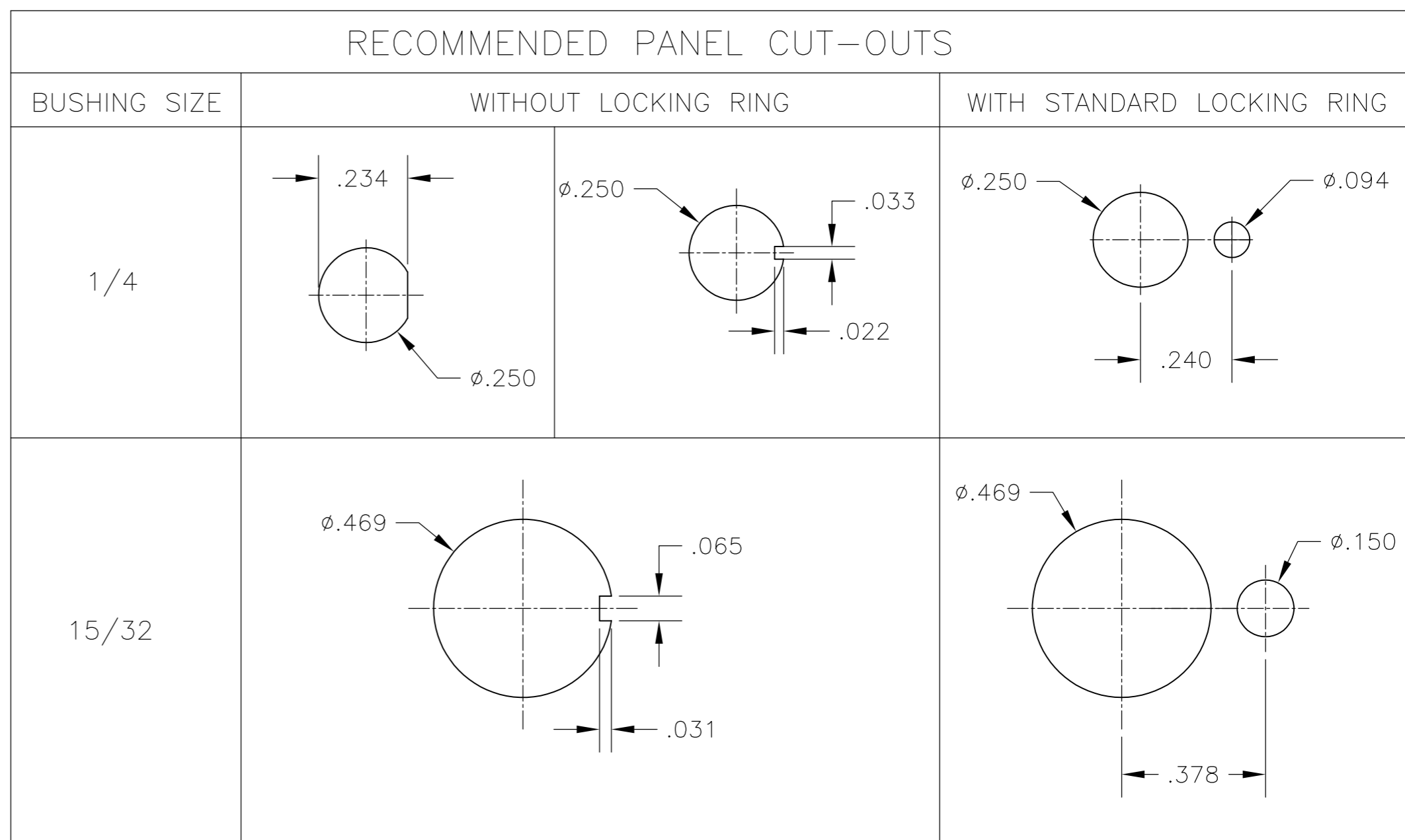
THIS DRAWING IS A CONTROLLED DOCUMENT.

| | | | | |
|--------------------|--|------------------|---------|---|
| DIMENSIONS: INCHES | TOLERANCES UNLESS OTHERWISE SPECIFIED: | DWN: M. ZITTO | 14APR05 | TE Connectivity |
| | 0 PLC ± - | CHK: M. ZITTO | - | |
| | 1 PLC ± - | APVD: M. ZITTO | - | |
| | 2 PLC ± - | PRODUCT SPEC | - | |
| | 3 PLC ± .010 | APPLICATION SPEC | - | |
| MATERIAL | FINISH | WEIGHT | - | NAME: GEMINI A SERIES TOGGLE SWITCH, DOUBLE POLE, 3 POSITION FUNCTIONS (03, 05, 07, 11, 13 & 15) SIZE: A2 CAGE CODE: 00779 DRAWING NO: 1825139 RESTRICTED TO: - CUSTOMER DRAWING SCALE: 2:1 SHEET: 3 of 4 REV: A4 |

THIS DRAWING IS UNPUBLISHED. RELEASED FOR PUBLICATION
 © COPYRIGHT - By - ALL RIGHTS RESERVED.

| LOC | | DIST | | REVISIONS | | | |
|-------------|-----|-------------|------|-----------|------|--|--|
| P | LTR | DESCRIPTION | DATE | DWN | APVD | | |
| AD | 00 | | | | | | |
| SEE SHEET 1 | | | | | | | |

| Alco P/N | P/N |
|---------------|-------------|
| A203KZQ04 | 1825139-1 |
| A203MD9AB04 | 1825139-2 |
| A203P3AV2Q04 | 1825139-3 |
| A203P3ZQ04 | 1825139-4 |
| A203SD9AV2B04 | 1825139-5 |
| A203SD9AV2Q04 | 1825139-6 |
| A203SDZQ04 | 1825139-7 |
| A203SYCB04 | 1825139-8 |
| A203SYCQ04 | 1825139-9 |
| A203SYZQ04 | 1-1825139-0 |
| A203T1ZQ04 | 1-1825139-1 |
| A203TZQ04 | 1-1825139-2 |
| A205KZB04 | 1-1825139-3 |
| A205P3ZQ04 | 1-1825139-4 |
| A205SD9AB04 | 1-1825139-5 |
| A205SYCB04 | 1-1825139-6 |
| A205SYCQ04 | 1-1825139-7 |
| A205SYZQ04 | 1-1825139-8 |
| A205T1ZQ04 | 1-1825139-9 |
| A205TZQ04 | 2-1825139-0 |
| A207P3ZQ04 | 2-1825139-1 |
| A207SYCB04 | 2-1825139-2 |
| A207SYCQ04 | 2-1825139-3 |
| A207SYZQ04 | 2-1825139-4 |
| A207T1ZQ04 | 2-1825139-5 |
| A207TZQ04 | 2-1825139-6 |
| A211KZB04 | 2-1825139-7 |
| A211MD9AQ04 | 2-1825139-8 |
| A211MYCQ04 | 2-1825139-9 |
| A211P3CQ04 | 3-1825139-0 |
| A211P3V40G04 | 3-1825139-1 |
| A211P3ZQ04 | 3-1825139-2 |
| A211SCWCQ004 | 3-1825139-3 |
| A211SDZQ04 | 3-1825139-4 |
| A211SHZQ04 | 3-1825139-5 |
| A211SY9AQ04 | 3-1825139-6 |
| A211SYCQ04 | 3-1825139-7 |
| A211SYZB04 | 3-1825139-8 |
| A211SYZQ04 | 3-1825139-9 |
| A211T1ZQ04 | 4-1825139-0 |
| not assigned | 4-1825139-1 |
| A213SYZQ04 | 4-1825139-2 |
| A215SD9V30B04 | 4-1825139-3 |
| A215SY9AQ04 | 4-1825139-4 |
| A215SYZQ04 | 4-1825139-5 |



MATERIALS CHART

| COMPONENT NAME | BASE MATERIAL | FINISH |
|------------------------|---------------------------|------------------|
| CASE | DAP, RED, UL94 V-0 | |
| FRAME | STAINLESS STEEL | |
| B TERMINALS & CONTACTS | COPPER | GOLD OVER NICKEL |
| G TERMINALS & CONTACTS | COPPER | GOLD OVER SILVER |
| Q TERMINALS & CONTACTS | COPPER | .000400 SILVER |
| ACTUATOR | PHENOLIC, BLACK, UL94 V-1 | |
| LEVER | BRASS | CHROME |
| BUSHING | BRASS | NICKEL |
| SPRING | MUSIC WIRE | |
| SUPPORT BRACKET | BRASS | TIN |
| PIVOT PIN | STEEL | NICKEL |
| LOCK WASHER | STAINLESS STEEL | |
| LOCKING RING | STAINLESS STEEL | |
| NUTS | C3604BD BRASS | NICKEL |
| TERMINAL SEAL | EPOXY | |

| | | | | | |
|---|--|------------------|------------------|---|---------------|
| THIS DRAWING IS A CONTROLLED DOCUMENT. | | DWN M. ZITTO | 14APR05 | TE TE Connectivity | |
| DIMENSIONS: INCHES | | CHK M. ZITTO | APVD M. ZITTO | | |
| TOLERANCES UNLESS OTHERWISE SPECIFIED: | | PRODUCT SPEC | | NAME GEMINI A SERIES TOGGLE SWITCH, DOUBLE POLE, 3 POSITION FUNCTIONS (03, 05, 07, 11, 13 & 15) | |
| 0 PLC ± - 1 PLC ± - 2 PLC ± - 3 PLC ± .010 4 PLC ± - ANGLES ± 2° | | APPLICATION SPEC | | SIZE | RESTRICTED TO |
| MATERIAL | | WEIGHT | | A2 00779 | |
| FINISH | | CUSTOMER DRAWING | | C=1825139 | |
| | | SCALE 3:1 | | SHEET 4 OF 4 | REV A4 |

Компания «Life Electronics» занимается поставками электронных компонентов импортного и отечественного производства от производителей и со складов крупных дистрибьюторов Европы, Америки и Азии.

С конца 2013 года компания активно расширяет линейку поставок компонентов по направлению коаксиальный кабель, кварцевые генераторы и конденсаторы (керамические, пленочные, электролитические), за счёт заключения дистрибьюторских договоров

Мы предлагаем:

- Конкурентоспособные цены и скидки постоянным клиентам.
- Специальные условия для постоянных клиентов.
- Подбор аналогов.
- Поставку компонентов в любых объемах, удовлетворяющих вашим потребностям.
- Приемлемые сроки поставки, возможна ускоренная поставка.
- Доставку товара в любую точку России и стран СНГ.
- Комплексную поставку.
- Работу по проектам и поставку образцов.
- Формирование склада под заказчика.
- Сертификаты соответствия на поставляемую продукцию (по желанию клиента).
- Тестирование поставляемой продукции.
- Поставку компонентов, требующих военную и космическую приемку.
- Входной контроль качества.
- Наличие сертификата ISO.

В составе нашей компании организован Конструкторский отдел, призванный помогать разработчикам, и инженерам.

Конструкторский отдел помогает осуществить:

- Регистрацию проекта у производителя компонентов.
- Техническую поддержку проекта.
- Защиту от снятия компонента с производства.
- Оценку стоимости проекта по компонентам.
- Изготовление тестовой платы монтаж и пусконаладочные работы.



Тел: +7 (812) 336 43 04 (многоканальный)

Email: org@lifeelectronics.ru