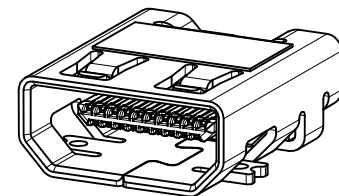
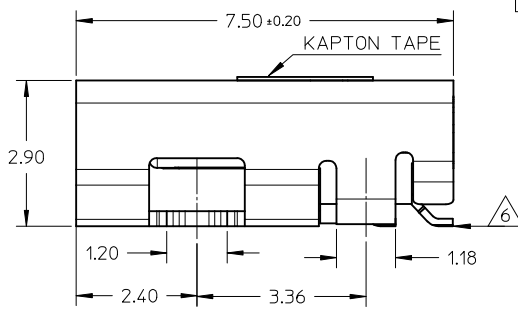
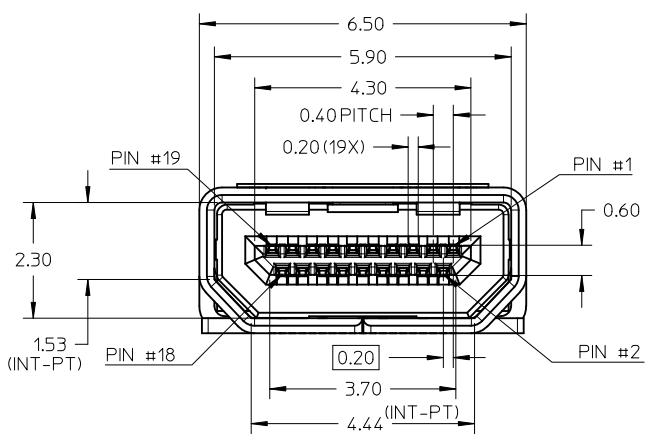
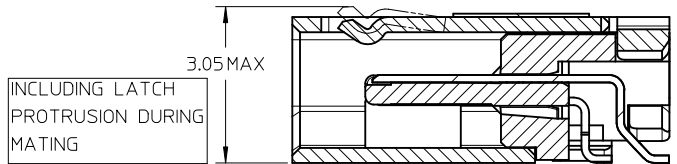
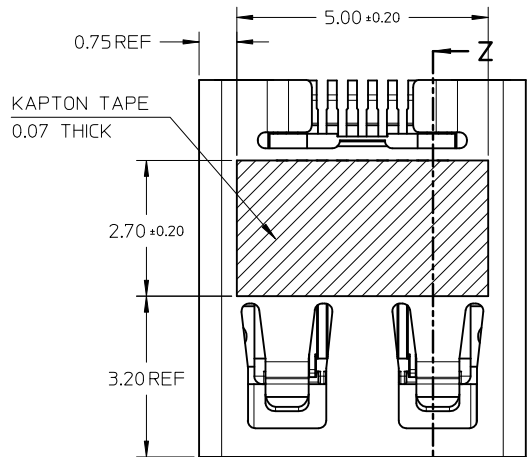
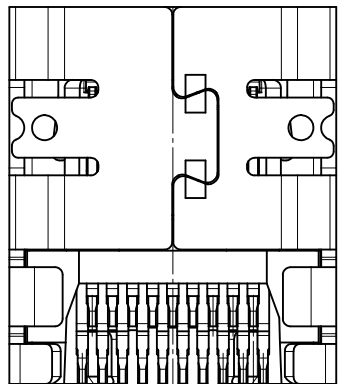


D	PG4/5,modify keepout zone.pg1,2,3/5 add blackhsg p/n	28.Nov.2011
REV NO	DESCRIPTION	DATE



MICRO HDMI-SMT TYPE MOUNTING
ISOMETRIC VIEW



SECTION Z-Z

SELECTIVE GOLD FLASH
ON SOLDERING FACE ONLY

- NOTES:
- MATERIALS:
HOUSING: LCP, 30% GLASS FILLED, UL94V-0
TERMINALS: COPPER ALLOY
SHIELD: STAINLESS STEEL
 - FINISHES:
TERMINALS: GOLD ON CONTACT AREA (Refer Table),
0.05UM MIN GOLD FLASH ON SOLDER TAILS,
AND 2.0UM MIN NICKEL UNDERPLATE OVERALL
SHIELD: MATTE TIN (Refer Table) OVER 1.27UM MIN NICKEL
 - PRODUCT SPECIFICATION: PS-46765-001
 - PACKAGING SPECIFICATION: PACKED IN TAPE & REEL
 - SEE SHEET 4 OF 5 FOR RECOMMENDED PCB LAYOUT
 - TERMINAL SOLDER-TAIL COPLANARITY 0.08 MAX

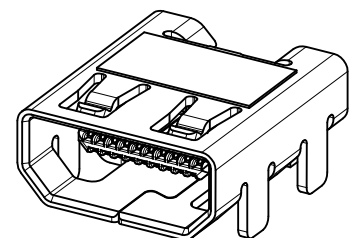
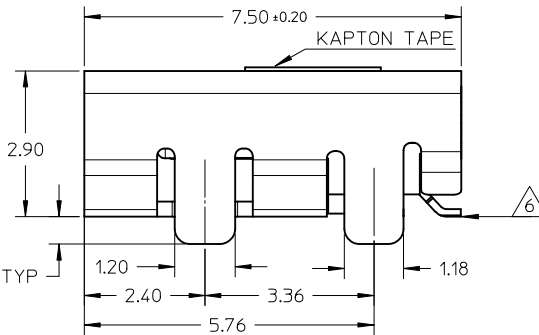
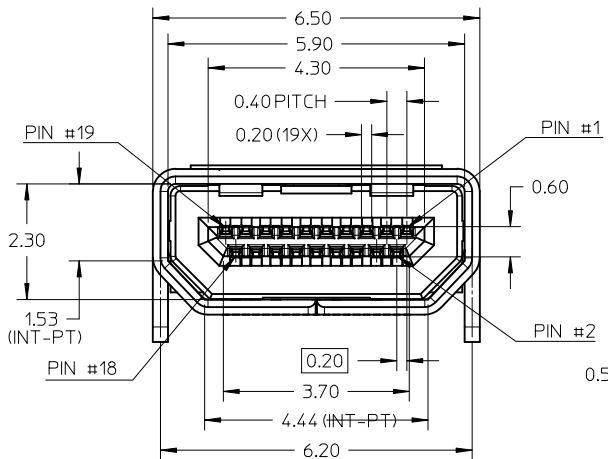
DESCRIPTION	Contact: 0.76µM Gold Min Shield: 3.8µM Tin Min PART NUMBER	Contact: 0.38µM Gold Min Shield: 2.0µM Tin Min PART NUMBER
SMT TYPE+KAPTON TAPE	46765-0001	46765-0301
SMT TYPE+BLACK HSG+KAPTON TAPE	--	46765-0302
SMT TYPE	46765-0011	46765-0311
SMT TYPE+BLACK HSG	--	46765-0312

RELEASED	EC NO: S2012-0444	2011/10/24
DRWN: CWANG25	2011/12/02	
CHKD: JKOH	2011/12/02	
APPR: NAGESHKN	2011/12/02	
REV	DESCRIPTION	

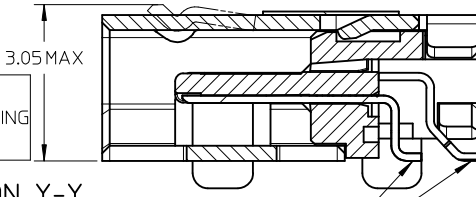
QUALITY SYMBOLS	GENERAL TOLERANCES (UNLESS SPECIFIED)
▽=0	mm INCH
∇=0	4 PLACES ± --- ± ---
	3 PLACES ± --- ± ---
	2 PLACES ± 0.1 ± ---
	1 PLACE ± --- ± ---
	ANGULAR ± 2 °
	DRAFT WHERE APPLICABLE MUST REMAIN WITHIN DIMENSIONS

DIMENSION STYLE	SCALE	DESIGN UNITS
MM ONLY	NTS	METRIC
DRAWN BY	DATE	TITLE
MKAMARAU	2008/10/14	MICRO HDMI, TYPE-D
CHECKED BY	DATE	0.4MM PITCH, 19CKT
MKAMARAU	2008/10/14	RECEPTACLE CONNECTOR
APPROVED BY	DATE	
NAGESHKN	2010/11/19	
MATERIAL NO.	DOCUMENT NO.	
SEE TABLE	SD-46765-001	

THIRD ANGLE PROJECTION
MOLEX INCORPORATED
SHEET NO. 1 OF 5
THIS DRAWING CONTAINS INFORMATION THAT IS PROPRIETARY TO MOLEX INCORPORATED AND SHOULD NOT BE USED WITHOUT WRITTEN PERMISSION



MICRO HDMI-THRU HOLE TYPE MOUNTING ISOMETRIC VIEW

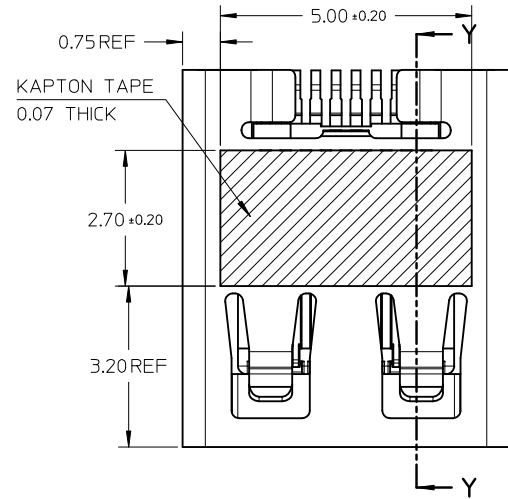
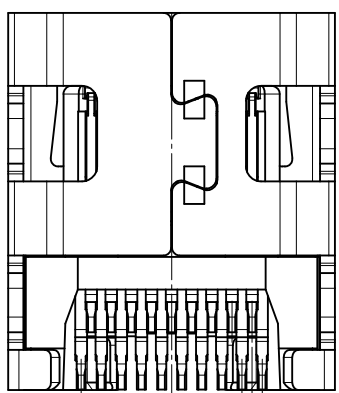


SECTION Y-Y

SELECTIVE GOLD FLASH ON SOLDERING FACE ONLY

NOTES:

1. MATERIALS:
HOUSING: LCP, 30% GLASS FILLED, UL94V-0
TERMINALS: COPPER ALLOY
SHIELD: STAINLESS STEEL
2. FINISHES:
TERMINALS: GOLD ON CONTACT AREA (Refer Table),
0.05UM MIN GOLD FLASH ON SOLDER TAILS,
AND 2.0UM MIN NICKEL UNDERPLATE OVERALL
SHIELD: MATTE TIN (Refer Table) OVER 1.27UM MIN NICKEL
3. PRODUCT SPECIFICATION: PS-46765-001
4. PACKAGING SPECIFICATION: PACKED IN TAPE & REEL
5. SEE SHEET 4 OF 5 FOR RECOMMENDED PCB LAYOUT
6. TERMINAL SOLDER-TAIL COPLANARITY 0.08 MAX



DESCRIPTION	Contact: 0.76µM Gold Min Shield: 3.8µM Tin Min PART NUMBER	Contact: 0.38µM Gold Min Shield: 2.0µM Tin Min PART NUMBER
THRU HOLE TYPE+KAPTON TAPE	46765-1001	46765-1301
THRU HOLE TYPE+BLACK HSG+KAPTON TAPE	--	46765-1302
THRU HOLE TYPE	46765-1011	46765-1311
THRU HOLE TYPE+BLACK HSG	--	46765-1312

RELEASED
EC NO: S2012-0444
DRWN: CWANG25 2011/10/24
CHKDK: JKOH 2011/12/02
APPR: NAGESHK 2011/12/02

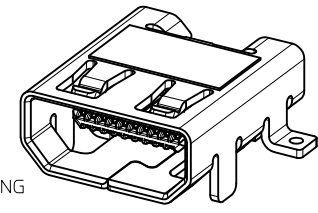
QUALITY SYMBOLS
▽=0
◻=0

	GENERAL TOLERANCES (UNLESS SPECIFIED)	
	mm	INCH
4 PLACES	± ---	± ---
3 PLACES	± ---	± ---
2 PLACES	± 0.1	± ---
1 PLACE	± ---	± ---
ANGULAR ± 2 °		
DRAFT WHERE APPLICABLE MUST REMAIN WITHIN DIMENSIONS		

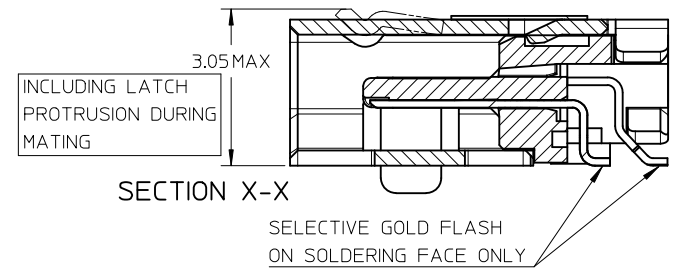
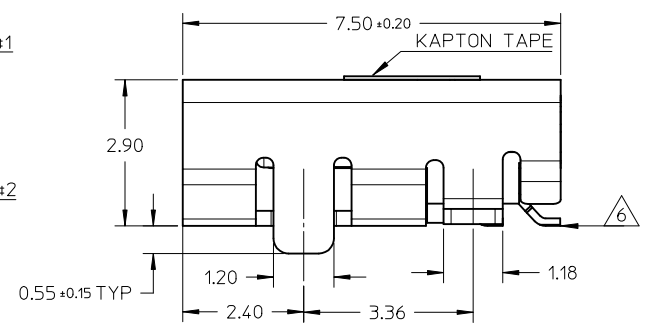
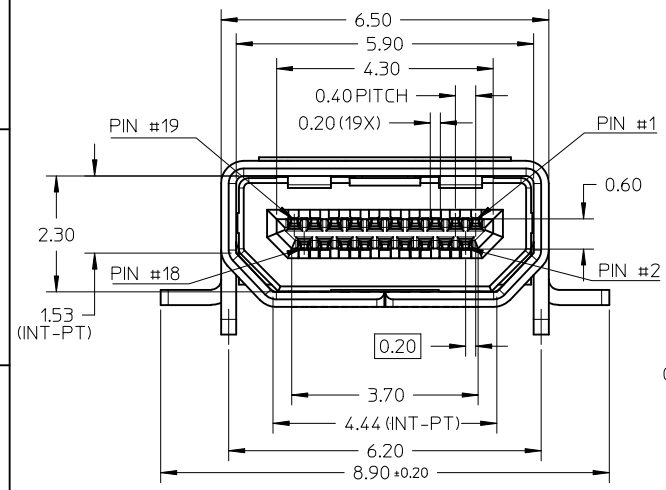
DIMENSION STYLE		SCALE	DESIGN UNITS	THIRD ANGLE PROJECTION
MM ONLY		NTS	METRIC	⊙
DRAWN BY	DATE	TITLE		
MKAMARAU	2008/10/14	MICRO HDMI, TYPE-D 0.4MM PITCH, 19CKT RECEPTACLE CONNECTOR		
CHECKED BY	DATE			
MKAMARAU	2008/10/14	MOLEX INCORPORATED		
APPROVED BY	DATE			
NAGESHK	2010/11/19	SD-46765-001		
MATERIAL NO.	DOCUMENT NO.			
SEE TABLE		SHEET NO. 2 OF 5		

DRAWN BY		DATE	TITLE	
MKAMARAU	2008/10/14	MICRO HDMI, TYPE-D 0.4MM PITCH, 19CKT RECEPTACLE CONNECTOR		
CHECKED BY	DATE			
MKAMARAU	2008/10/14	MOLEX INCORPORATED		
APPROVED BY	DATE			
NAGESHK	2010/11/19	SD-46765-001		
MATERIAL NO.	DOCUMENT NO.			
SEE TABLE		SHEET NO. 2 OF 5		

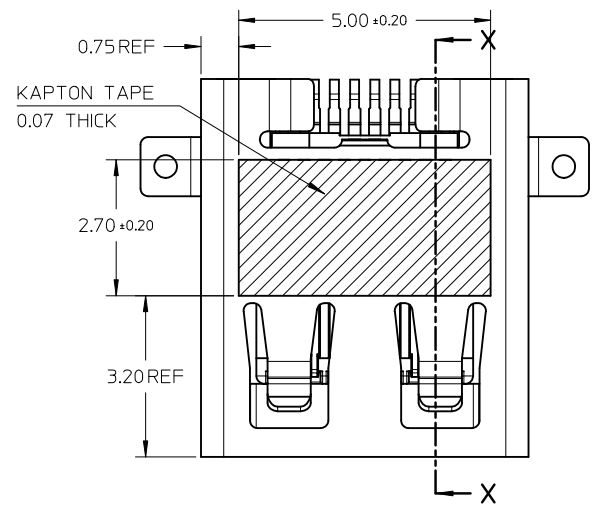
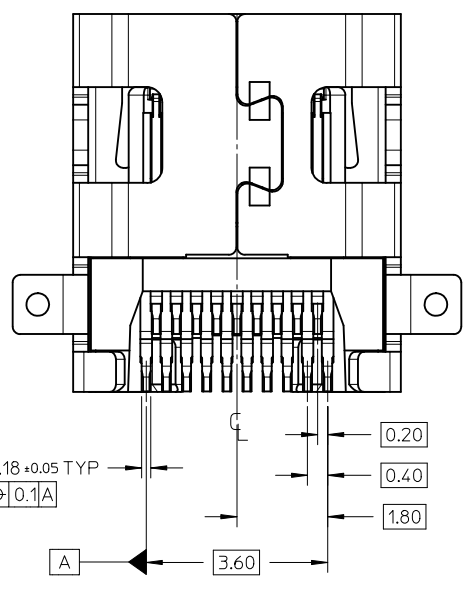
THIS DRAWING CONTAINS INFORMATION THAT IS PROPRIETARY TO MOLEX INCORPORATED AND SHOULD NOT BE USED WITHOUT WRITTEN PERMISSION



MICRO HDMI
HYBRID TYPE MOUNTING

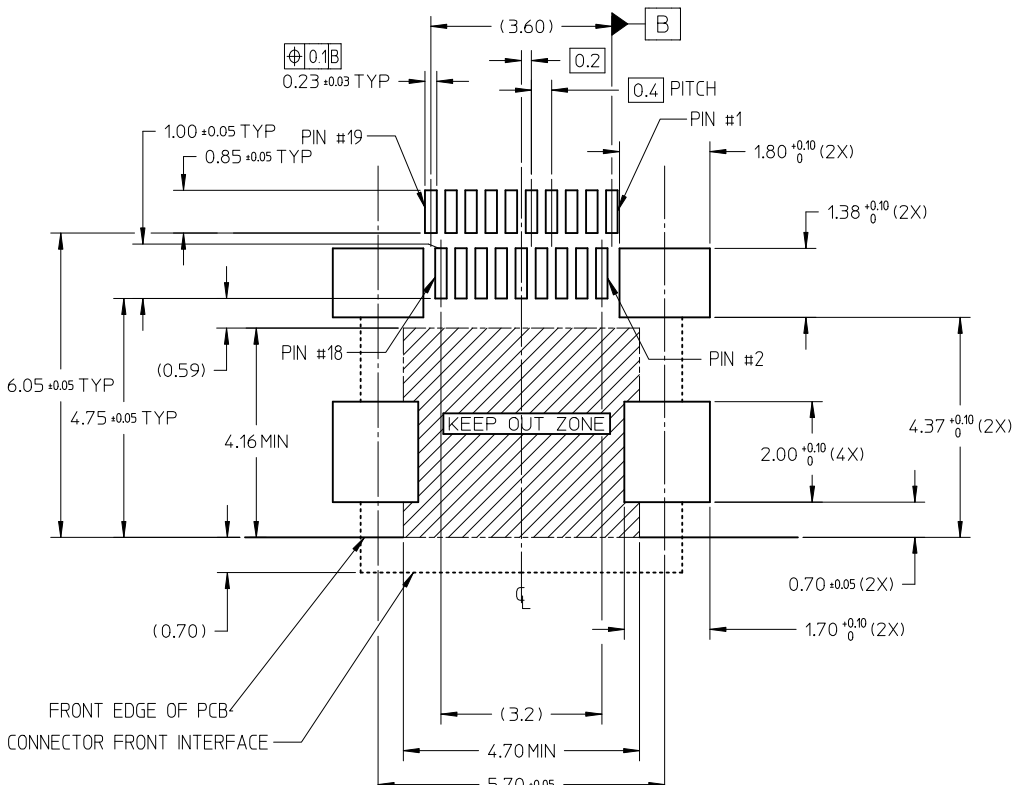


- NOTES:
- MATERIALS:
HOUSING: LCP, 30% GLASS FILLED, UL94V-0
TERMINALS: COPPER ALLOY
SHIELD: STAINLESS STEEL
 - FINISHES:
TERMINALS: GOLD ON CONTACT AREA (Refer Table),
0.05UM MIN GOLD FLASH ON SOLDER TAILS,
AND 2.0UM MIN NICKEL UNDERPLATE OVERALL
SHIELD: MATTE TIN (Refer Table) OVER 1.27UM MIN NICKEL
 - PRODUCT SPECIFICATION: PS-46765-001
 - PACKAGING SPECIFICATION: PACKED IN TAPE & REEL
 - SEE SHEET 4 OF 5 FOR RECOMMENDED PCB LAYOUT
 - TERMINAL SOLDER-TAIL COPLANARITY 0.08 MAX



DESCRIPTION	Contact: 0.764M Gold Min Shield: 3.84M Tin Min PART NUMBER	Contact: 0.384M Gold Min Shield: 2.04M Tin Min PART NUMBER
HYBRID TYPE+KAPTON TAPE	46765-2001	46765-2301
HYBRID TYPE+BLACK HOUSING+KAPTON TAPE	46765-2021	46765-2302
HYBRID TYPE	46765-2011	46765-2311
HYBRID TYPE+BLACK HSG	--	46765-2312

RELEASED EC NO: S2012-0444 DRWN: CWANG25 2011/10/24 CHYKDKJKOH 2011/12/02 APPR: NAGESHKIN 2011/12/02	QUALITY SYMBOLS	GENERAL TOLERANCES (UNLESS SPECIFIED)	DIMENSION STYLE	SCALE	DESIGN UNITS	THIRD ANGLE PROJECTION
	▼ = 0 ◻ = 0	mm INCH 4 PLACES ± --- ± --- 3 PLACES ± --- ± --- 2 PLACES ± 0.1 ± --- 1 PLACE ± --- ± --- ANGULAR ± 2 °	MM ONLY	NTS	METRIC	
	DESCRIPTION	DRAFT WHERE APPLICABLE MUST REMAIN WITHIN DIMENSIONS	DRAWN BY DATE	TITLE		
	REV		CHECKED BY DATE			
			APPROVED BY DATE	MICRO HDMI, TYPE-D 0.4MM PITCH, 19CKT RECEPTACLE CONNECTOR		
			MATERIAL NO.	MOLEX INCORPORATED		
			SIZE	DOCUMENT NO.	SD-46765-001	
			A3	THIS DRAWING CONTAINS INFORMATION THAT IS PROPRIETARY TO MOLEX INCORPORATED AND SHOULD NOT BE USED WITHOUT WRITTEN PERMISSION		SHEET NO. 3 OF 5

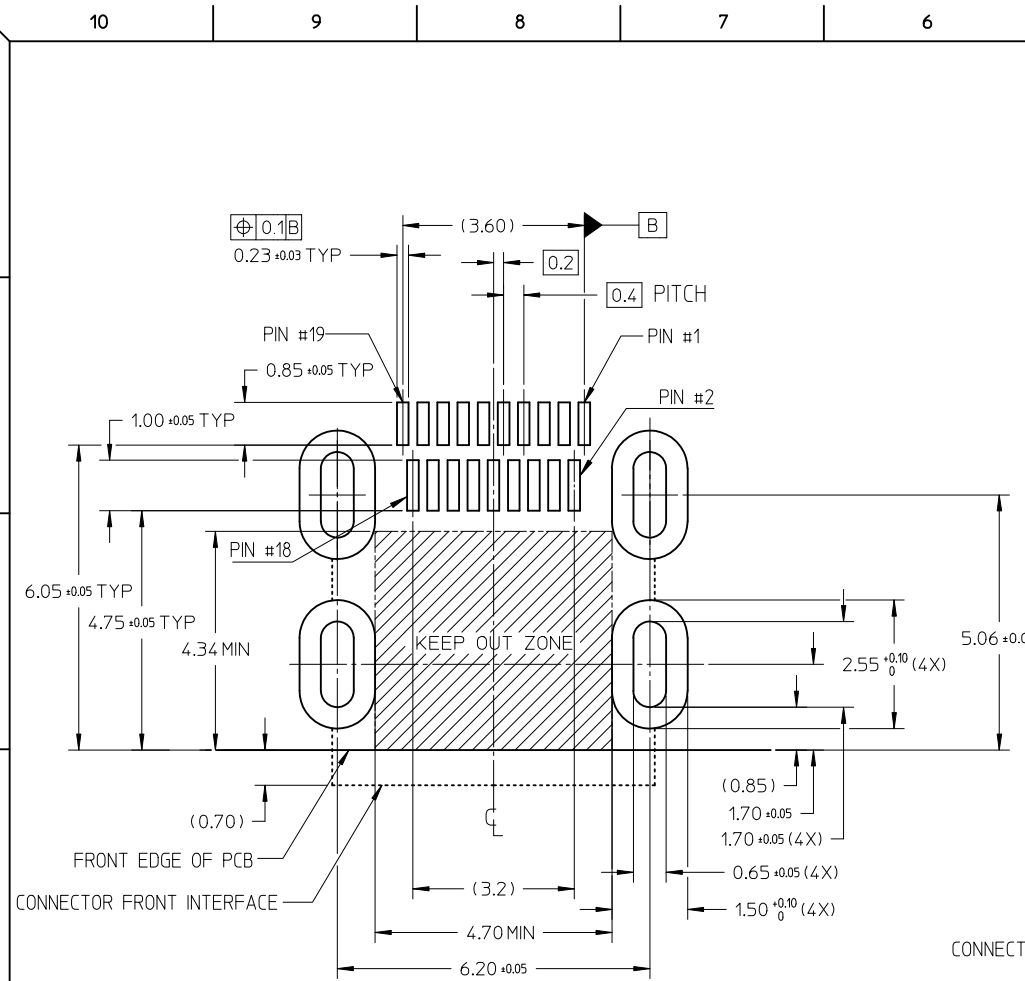


RECOMMENDED PCB LAYOUT
 COMPONENT SIDE OF BOARD
 SHEET 1 OF 5

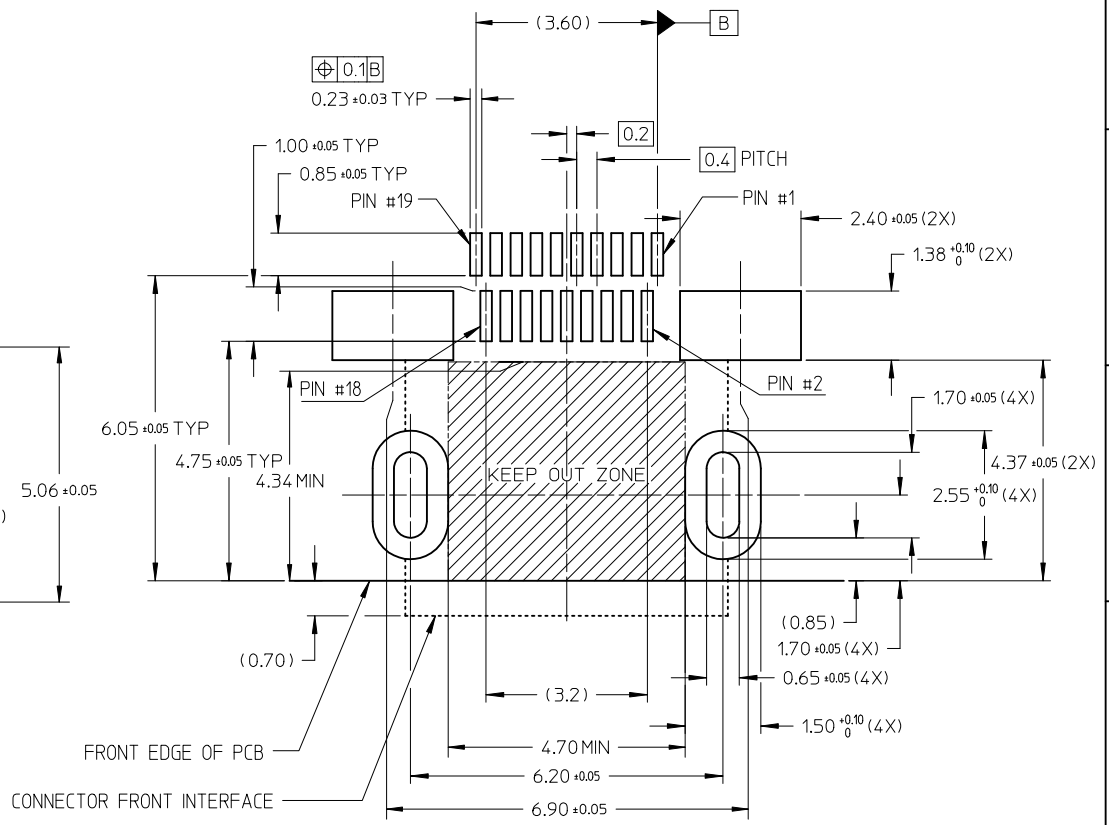
PIN	SIGNAL ASSIGNMENT
1	Hot Plug Detect
2	Utility
3	TMDS Data2+
4	TMDS Data2- Shield
5	TMDS Data2-
6	TMDS Data1+
7	TMDS Data1- Shield
8	TMDS Data1-
9	TMDS Data0+
10	TMDS Data0- Shield
11	TMDS Data0-
12	TMDS Clock+
13	TMDS Clock- Shield
14	TMDS Clock-
15	CEC
16	DDC/CEC Ground
17	SCL
18	SDA
19	+5V Power

CONNECTION	SIGNALS
	TYPE D CONNECTOR
FIRST MAKE	CONNECTOR SHELL
SECOND MAKE	PINS 1 - 18
THIRD MAKE	PIN 19 (+5V POWER)

RELEASED EC NO: S2012-0444 DRWN: CWANG25 CHKD: KJKOH APPR: NAGESHKN	2011/10/24 2011/12/02 2011/12/02	DESCRIPTION REV	QUALITY SYMBOLS ▽=0 ⊕=0	GENERAL TOLERANCES (UNLESS SPECIFIED)		DIMENSION STYLE MM ONLY		SCALE NTS	DESIGN UNITS METRIC	THIRD ANGLE PROJECTION			
						DRAWN BY MKAMARAU	DATE 2008/10/14	TITLE MICRO HDMI, TYPE-D 0.4MM PITCH, 19CKT RECEPTACLE CONNECTOR					
						CHECKED BY MKAMARAU	DATE 2008/10/14	MOLEX INCORPORATED					
						APPROVED BY NAGESHKN	DATE 2010/11/19	DOCUMENT NO. SD-46765-001					
				MATERIAL NO.	SHEET NO. 4 OF 5								
DRAFT WHERE APPLICABLE MUST REMAIN WITHIN DIMENSIONS				SEE TABLE		THIS DRAWING CONTAINS INFORMATION THAT IS PROPRIETARY TO MOLEX INCORPORATED AND SHOULD NOT BE USED WITHOUT WRITTEN PERMISSION							



RECOMMENDED PCB LAYOUT
COMPONENT SIDE OF BOARD
SHEET 2 OF 5



RECOMMENDED PCB LAYOUT
COMPONENT SIDE OF BOARD
SHEET 3 OF 5

RELEASED EC NO: S2012-0444 DRWN: CWANG25 CHKD: KJKOH APPR: NAGESHKN	2011/10/24 2011/12/02 2011/12/02	DESCRIPTION REV	QUALITY SYMBOLS	GENERAL TOLERANCES (UNLESS SPECIFIED)	DIMENSION STYLE	SCALE	DESIGN UNITS	THIRD ANGLE PROJECTION
			$\nabla = 0$ $\square = 0$	mm INCH 4 PLACES ± --- ± --- 3 PLACES ± --- ± --- 2 PLACES ± 0.1 ± --- 1 PLACE ± --- ± --- ANGULAR ± 2 °	MM ONLY	NTS	METRIC	
				DRAFT WHERE APPLICABLE MUST REMAIN WITHIN DIMENSIONS	DRAWN BY: MKAMARAU CHECKED BY: MKAMARAU APPROVED BY: NAGESHKN MATERIAL NO.: SEE TABLE	DATE: 2008/10/14 DATE: 2008/10/14 DATE: 2010/11/19	TITLE	MICRO HDMI, TYPE-D 0.4MM PITCH, 19CKT RECEPTACLE CONNECTOR MOLEX INCORPORATED
							DOCUMENT NO.: SD-46765-001 SHEET NO.: 5 OF 5	

Компания «Life Electronics» занимается поставками электронных компонентов импортного и отечественного производства от производителей и со складов крупных дистрибьюторов Европы, Америки и Азии.

С конца 2013 года компания активно расширяет линейку поставок компонентов по направлению коаксиальный кабель, кварцевые генераторы и конденсаторы (керамические, пленочные, электролитические), за счёт заключения дистрибьюторских договоров

Мы предлагаем:

- Конкурентоспособные цены и скидки постоянным клиентам.
- Специальные условия для постоянных клиентов.
- Подбор аналогов.
- Поставку компонентов в любых объемах, удовлетворяющих вашим потребностям.
- Приемлемые сроки поставки, возможна ускоренная поставка.
- Доставку товара в любую точку России и стран СНГ.
- Комплексную поставку.
- Работу по проектам и поставку образцов.
- Формирование склада под заказчика.
- Сертификаты соответствия на поставляемую продукцию (по желанию клиента).
- Тестирование поставляемой продукции.
- Поставку компонентов, требующих военную и космическую приемку.
- Входной контроль качества.
- Наличие сертификата ISO.

В составе нашей компании организован Конструкторский отдел, призванный помогать разработчикам, и инженерам.

Конструкторский отдел помогает осуществить:

- Регистрацию проекта у производителя компонентов.
- Техническую поддержку проекта.
- Защиту от снятия компонента с производства.
- Оценку стоимости проекта по компонентам.
- Изготовление тестовой платы монтаж и пусконаладочные работы.



Тел: +7 (812) 336 43 04 (многоканальный)

Email: org@lifeelectronics.ru

www.lifeelectronics.ru