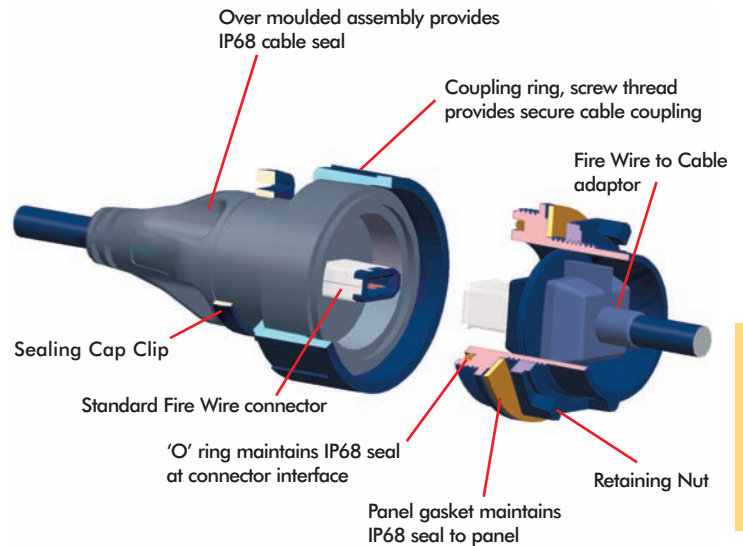


FireWire Buccaneer®

IP68



BUCCANEER DATA

- IP68 rated
- IEEE1394a performance to 400Mbs
- 4 & 6 pole interfaces
- Shielded system
- Overmoulded cables
- Screw coupling
- Panel Adaptor leads to PCB
- ▶ Dust and waterproof sealing when mated
- ▶ 'Real Time' performance
- ▶ Industry standard connection
- ▶ High noise immunity and EMI protection
- ▶ Secure tamperproof connection
- ▶ Secure, proven locking system
- ▶ For use on PCBs

Fire Wire Buccaneer®

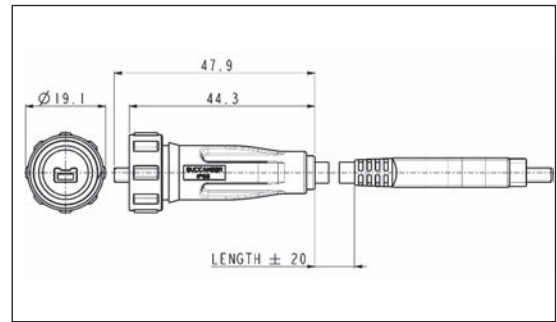
SEALED FIRE WIRE CABLES - SINGLE ENDED



PX0417

Single ended sealed cable assembly

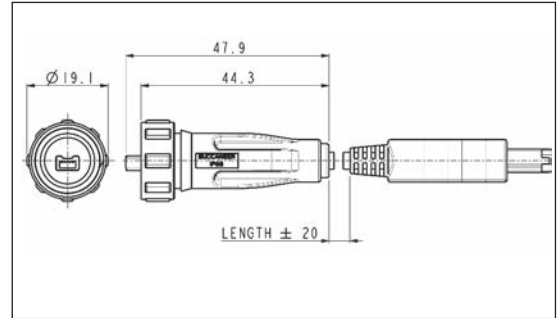
- IP68 4 pole sealed connector to standard 4 pole FireWire
- Overmoulded construction
- Available in 2m and 4m lengths (other lengths and sealed double ended cables available on request)



PX0418

Single ended sealed cable assembly

- IP68 4 pole sealed connector to standard 6 pole FireWire
- Overmoulded construction
- Available in 2m and 4m lengths (other lengths and sealed double ended cables available on request)



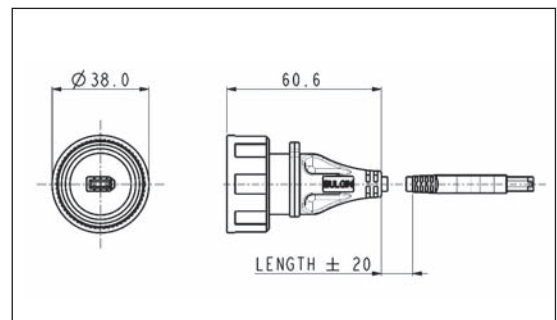
| Part No. | Length | Description |
|-------------|--------|---|
| PX0417/2M00 | 2m | IP68 4 pole to standard 4 pole FireWire |
| PX0417/4M00 | 4m | IP68 4 pole to standard 4 pole FireWire |
| PX0418/2M00 | 2m | IP68 4 pole to standard 6 pole FireWire |
| PX0418/4M00 | 4m | IP68 4 pole to standard 6 pole FireWire |



PX0846

Single ended sealed cable assembly

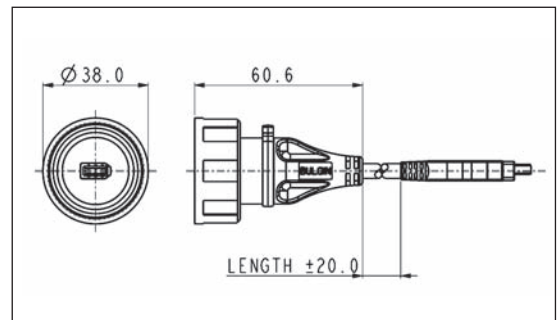
- IP68 6 pole sealed connector to standard 6 pole FireWire
- Overmoulded construction
- Available in 2m and 4m lengths (other lengths and sealed double ended cables available on request)



PX0851

Single ended sealed cable assembly

- IP68 6 pole sealed connector to standard 4 pole FireWire
- Overmoulded construction
- Available in 2m and 4m lengths (other lengths and sealed double ended cables available on request)



| Part No. | Length | Description |
|-------------|--------|---|
| PX0846/2M00 | 2m | IP68 6 pole to standard 6 pole FireWire |
| PX0846/4M00 | 4m | IP68 6 pole to standard 6 pole FireWire |
| PX0851/2M00 | 2m | IP68 6 pole to standard 4 pole FireWire |
| PX0851/4M00 | 4m | IP68 6 pole to standard 4 pole FireWire |

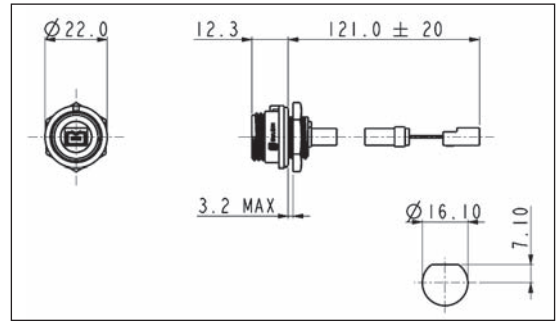
Fire Wire Buccaneer®

PANEL MOUNTING CONNECTOR



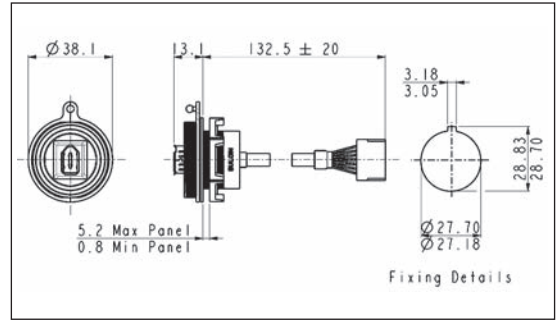
PX0419

- Front of panel mounted 4 pole IP68 FireWire
- Cable to rear with 5 way crimp for use with PCB header
- Mates with PX0417 & PX0418



PX0847

- Front of panel mounted 6 pole IP68 FireWire
- Cable to rear with 7 way crimp for use with PCB header
- Mates with PX0846 & PX0851



| Part No. | Description |
|----------|--|
| PX0419 | IP68 4 pole, panel mounted, with 5 way crimp at rear |
| PX0847 | IP68 6 pole, panel mounted, with 7 way crimp at rear |

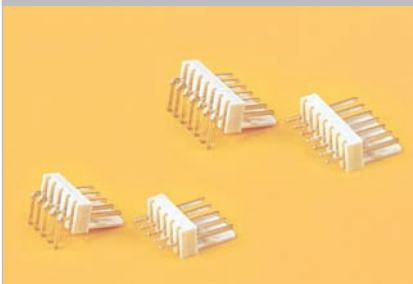
SEALING CAPS



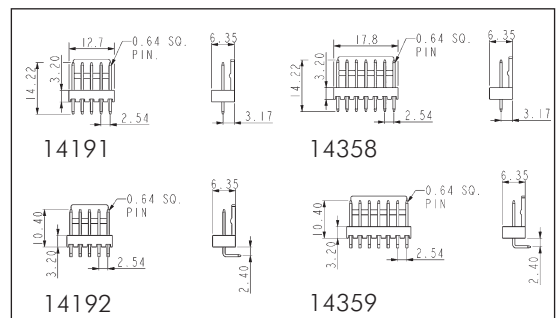
- Sealing caps to maintain IP rating when connectors are not in use
- Chassis mounting & cable mounting versions

| Part No. | Description |
|-----------|--|
| PX0485/BK | Sealing cap for 4 pole cable connectors (PX0417, PX0418) |
| PX0480/BK | Sealing cap for 4 pole chassis connector (PX0419) |
| PX0835 | Sealing cap for 6 pole cable connectors (PX0846, PX0851) |
| PX0733 | Sealing cap for 6 pole cable connector (PX0847) |

ACCESSORIES



- PCB headers
- 2.54mm pitch, horizontal or vertical mounting
- 5 way headers for use with PX0419
- 7 way headers for use with PX0847



| Part No. | Description |
|----------|------------------------------|
| 14191 | 5 way PCB header straight |
| 14192 | 5 way PCB header right angle |
| 14358 | 7 way PCB header straight |
| 14359 | 7 way PCB header right angle |

Fire Wire Buccaneer®

SPECIFICATION

Mechanical:

| | | |
|------------------------|---------------|---------------|
| Sealing | IP68, EN60529 | IP68, EN60529 |
| Operating Temperature: | 0°C to +70°C | 0°C to +70°C |

Electrical:

| | | |
|------------------------------|--------------------|--------------------|
| No. Poles: | 4 | 6 |
| Current Rating: | 1A | 1A |
| Voltage Rating: | 30V a.c. | 30V a.c. |
| Contact plating: | 30 micro inch gold | 30 micro inch gold |
| Operating Temperature Range: | 0°C to +70°C | 0°C to +70°C |
| Performance: | IEEE1394a | IEEE1394a |

Materials - connectors:

| | | |
|----------------------|--------------------|--------------------|
| Poles: | 4 | 6 |
| Connectors | | |
| Shell material: | Steel | Steel |
| Shell plating: | Nickel | Nickel |
| Insulation moulding: | Glass filled PBT | Glass filled PBT |
| Flammability rating: | UL94V-0 rated | UL94V-0 rated |
| Contact material: | Copper alloy | Copper alloy |
| Contact plating: | 30 micro inch gold | 30 micro inch gold |
| Mating cycles: | 1,000 | 1,000 |
| Cable Connectors | | |
| Overmould material: | PVC (black) | PVC (black) |
| Flammability rating: | UL94V-0 rated | UL94V-0 rated |
| Panel Connectors | | |
| Body Mouldings: | Polyamide | Polyamide |
| Flammability rating: | UL94V-0 rated | UL94V-0 rated |
| UV Resistance | to EN50021:1999 | to EN50021:1999 |
| O Rings | Nitrile | Nitrile |
| RoHS | Compliant | Compliant |

Materials - cables:

| | | |
|----------------------|---------------|---------------|
| Poles: | 4 | 6 |
| Cable jacket: | PVC (black) | PVC (black) |
| Flammability rating: | UL94V-0 rated | UL94V-0 rated |
| RoHS | Compliant | Compliant |

| Product type | Length | Dia. | Conductor |
|----------------|---------|-------|-----------|
| 4 pole chassis | 100mm | 5.0mm | 30AWG |
| 6 pole chassis | 100mm | 5.8mm | 28AWG |
| 4 pole flex | 2m & 4m | 5.5mm | 28AWG |
| 6 pole flex | 2m & 4m | 5.8mm | 28AWG |

Компания «Life Electronics» занимается поставками электронных компонентов импортного и отечественного производства от производителей и со складов крупных дистрибьюторов Европы, Америки и Азии.

С конца 2013 года компания активно расширяет линейку поставок компонентов по направлению коаксиальный кабель, кварцевые генераторы и конденсаторы (керамические, пленочные, электролитические), за счёт заключения дистрибьюторских договоров

Мы предлагаем:

- Конкуренспособные цены и скидки постоянным клиентам.
- Специальные условия для постоянных клиентов.
- Подбор аналогов.
- Поставку компонентов в любых объемах, удовлетворяющих вашим потребностям.
- Приемлемые сроки поставки, возможна ускоренная поставка.
- Доставку товара в любую точку России и стран СНГ.
- Комплексную поставку.
- Работу по проектам и поставку образцов.
- Формирование склада под заказчика.
- Сертификаты соответствия на поставляемую продукцию (по желанию клиента).
- Тестирование поставляемой продукции.
- Поставку компонентов, требующих военную и космическую приемку.
- Входной контроль качества.
- Наличие сертификата ISO.

В составе нашей компании организован Конструкторский отдел, призванный помогать разработчикам, и инженерам.

Конструкторский отдел помогает осуществить:

- Регистрацию проекта у производителя компонентов.
- Техническую поддержку проекта.
- Защиту от снятия компонента с производства.
- Оценку стоимости проекта по компонентам.
- Изготовление тестовой платы монтаж и пусконаладочные работы.



Тел: +7 (812) 336 43 04 (многоканальный)

Email: org@lifeelectronics.ru