

Optocoupler, Phototransistor Output (Dual, Quad Channel)

Dual Channel



Quad Channel



I179052



FEATURES

- Identical channel to channel footprint
- Dual and quad packages feature:
 - Reduced board space
 - Lower pin and parts count
 - Better channel to channel CTR match
 - Improved common mode rejection
- Isolation test voltage from double molded package, 5300 V_{RMS}
- Lead (Pb)-free component
- Component in accordance to RoHS 2002/95/EC and WEEE 2002/96/EC


RoHS
COMPLIANT

AGENCY APPROVALS

- UL1577, file no. E52744 system code H or J, double protection
- CSA 93751
- BSI IEC 60950; IEC 60065
- DIN EN 60747-5-2 (VDE 0884)/DIN EN 60747-5-5 pending available with option 1

DESCRIPTION

The ILD615/ILQ615 are multi-channel phototransistor optocouplers that use GaAs IRLED emitters and high gain NPN phototransistors. These devices are constructed using over/under leadframe optical coupling and double molded insulation technology resulting a withstand test voltage of 7500 V_{AC PEAK} and a working voltage of 1700 V_{RMS}.

The binned min./max. and linear CTR characteristics make these devices well suited for DC or AC voltage detection. Eliminating the phototransistor base connection provides added electrical noise immunity from the transients found in many industrial control environments.

Because of guaranteed maximum non-saturated and saturated switching characteristics, the ILD615/ILQ615 can be used in medium speed data I/O and control systems. The binned min./max. CTR specification allow easy worst case interface calculations for both level detection and switching applications. Interfacing with a CMOS logic is enhanced by the guaranteed CTR at I_F = 1.0 mA.

| ORDER INFORMATION | |
|-------------------|---|
| PART | REMARKS |
| ILD615-1 | CTR 40 to 80 %, dual channel, DIP-8 |
| ILD615-2 | CTR 63 to 125 %, dual channel, DIP-8 |
| ILD615-3 | CTR 100 to 200 %, dual channel, DIP-8 |
| ILD615-4 | CTR 160 to 320 %, dual channel, DIP-8 |
| ILQ615-1 | CTR 40 to 80 %, quad channel, DIP-16 |
| ILQ615-2 | CTR 63 to 125 %, quad channel, DIP-16 |
| ILQ615-3 | CTR 100 to 200 %, quad channel, DIP-16 |
| ILQ615-4 | CTR 160 to 320 %, quad channel, DIP-16 |
| ILD615-1X007 | CTR 40 to 80 %, dual channel, SMD-8 (option 7) |
| ILD615-2X006 | CTR 63 to 125 %, dual channel, DIP-8 400 mil (option 6) |
| ILD615-2X009 | CTR 63 to 125 %, dual channel, SMD-8 (option 9) |
| ILD615-3X006 | CTR 100 to 200 %, dual channel, DIP-8 400 mil (option 6) |
| ILD615-3X007 | CTR 100 to 200 %, dual channel, SMD-8 (option 7) |
| ILD615-3X009 | CTR 100 to 200 %, dual channel, SMD-8 (option 9) |
| ILD615-4X006 | CTR 160 to 320 %, dual channel, DIP-8 400 mil (option 6) |
| ILD615-4X009 | CTR 160 to 320 %, dual channel, SMD-8 400 mil (option 9) |
| ILQ615-1X009 | CTR 40 to 80 %, quad channel, SMD-16 (option 9) |
| ILQ615-2X007 | CTR 63 to 125 %, quad channel, SMD-16 (option 7) |
| ILQ615-3X006 | CTR 100 to 200 %, quad channel, DIP-16 400 mil (option 6) |
| ILQ615-3X009 | CTR 100 to 200 %, quad channel, SMD-16 (option 9) |
| ILQ615-4X007 | CTR 160 to 320 %, quad channel, SMD-16 (option 7) |
| ILQ615-4X009 | CTR 160 to 320 %, quad channel, SMD-16 (option 9) |

Note

For additional information on the available options refer to option information.

| ABSOLUTE MAXIMUM RATINGS (1) | | | | |
|-------------------------------------|----------------|------------|-------|-------|
| PARAMETER | TEST CONDITION | SYMBOL | VALUE | UNIT |
| INPUT | | | | |
| Reverse voltage | | V_R | 6.0 | V |
| Forward current | | I_F | 60 | mA |
| Surge current | | I_{FSM} | 1.5 | A |
| Power dissipation | | P_{diss} | 100 | mW |
| Derate linearly from 25 °C | | | 1.33 | mW/°C |
| OUTPUT | | | | |
| Collector emitter breakdown voltage | | BV_{CEO} | 70 | V |
| Emitter collector breakdown voltage | | BV_{ECO} | 7.0 | V |
| Collector current | | I_C | 50 | mA |
| | t < 1.0 ms | I_C | 100 | mA |
| Power dissipation | | P_{diss} | 150 | mW |
| Derate linearly from 25 °C | | | 2.0 | mW/°C |



| ABSOLUTE MAXIMUM RATINGS ⁽¹⁾ | | | | |
|---|--|-----------|---------------|-----------|
| PARAMETER | TEST CONDITION | SYMBOL | VALUE | UNIT |
| COUPLER | | | | |
| Storage temperature | | T_{stg} | - 55 to + 150 | °C |
| Operating temperature | | T_{amb} | - 55 to + 100 | °C |
| Junction temperature | | T_j | 100 | °C |
| Soldering temperature ⁽²⁾ | 2.0 mm distance from case bottom | T_{sld} | 260 | °C |
| Package power dissipation ILD615 | | | 400 | mW |
| Derate linearly from 25 °C | | | 5.33 | mW/°C |
| Package power dissipation ILQ615 | | | 500 | mW |
| Derate linearly from 25 °C | | | 6.67 | mW/°C |
| Isolation test voltage | t = 1.0 s | V_{ISO} | 5300 | V_{RMS} |
| Creepage distance | | | ≥ 7.0 | mm |
| Clearance distance | | | ≥ 7.0 | mm |
| Isolation resistance | $V_{IO} = 500\text{ V}, T_{amb} = 25\text{ °C}$ | R_{IO} | ≥ 10^{12} | Ω |
| | $V_{IO} = 500\text{ V}, T_{amb} = 100\text{ °C}$ | R_{IO} | ≥ 10^{11} | Ω |

Notes(1) $T_{amb} = 25\text{ °C}$, unless otherwise specified.

Stresses in excess of the absolute maximum ratings can cause permanent damage to the device. Functional operation of the device is not implied at these or any other conditions in excess of those given in the operational sections of this document. Exposure to absolute maximum ratings for extended periods of the time can adversely affect reliability.

(2) Refer to reflow profile for soldering conditions for surface mounted devices (SMD). Refer to wave profile for soldering conditions for through hole devices (DIP).

| ELECTRICAL CHARACTERISTICS | | | | | | |
|---|---|------------------------------------|-----------|-----------|--------|------|
| PARAMETER | TEST CONDITION | SYMBOL | MIN. | TYP. | MAX. | UNIT |
| INPUT | | | | | | |
| Forward voltage | $I_F = 10\text{ mA}$ | V_F | 1.0 | 1.15 | 1.3 | V |
| Breakdown voltage | $I_R = 10\text{ }\mu\text{A}$ | V_{BR} | 6.0 | 30 | | V |
| Reverse current | $V_R = 6.0\text{ V}$ | I_R | | 0.01 | 10 | μA |
| Capacitance | $V_R = 0\text{ V}, f = 1.0\text{ MHz}$ | C_O | | 25 | | pF |
| Thermal resistance, junction to lead | | R_{THJL} | | 750 | | K/W |
| OUTPUT | | | | | | |
| Collector emitter capacitance | $V_{CE} = 5.0\text{ V}, f = 1.0\text{ MHz}$ | C_{CE} | | 6.8 | | pF |
| Collector emitter leakage current, -1, -2 | $V_{CE} = 10\text{ V}$ | I_{CEO} | | 2.0 | 50 | nA |
| Collector emitter leakage current, -3, -4 | $V_{CE} = 10\text{ V}$ | I_{CEO} | | 5.0 | 100 | nA |
| Collector emitter breakdown voltage | $I_{CE} = 0.5\text{ mA}$ | BV_{CEO} | 70 | | | V |
| Emitter collector breakdown voltage | $I_E = 0.1\text{ mA}$ | BV_{ECO} | 7.0 | | | V |
| Thermal resistance, junction to lead | | R_{THJL} | | 500 | | K/W |
| PACKAGE TRANSFER CHARACTERISTICS | | | | | | |
| Channel/channel CTR match | $I_F = 10\text{ mA}, V_{CE} = 5.0\text{ V}$ | CTR _X /CTR _Y | 1 to 1 | | 2 to 1 | |
| COUPLER | | | | | | |
| Capacitance (input to output) | $V_{IO} = 0\text{ V}, f = 1.0\text{ MHz}$ | C_{IO} | | 0.8 | | pF |
| Insulation resistance | $V_{IO} = 500\text{ V}, T_A = 25\text{ °C}$ | R_S | 10^{12} | 10^{14} | | Ω |
| Channel to channel isolation | | | 500 | | | VAC |

Note $T_{amb} = 25\text{ °C}$, unless otherwise specified.

Minimum and maximum values are tested requirements. Typical values are characteristics of the device and are the result of engineering evaluations. Typical values are for information only and are not part of the testing requirements.

| CURRENT TRANSFER RATIO | | | | | | | | | | | | | | | |
|---|--|------------|---------------|------------|----------|------------|------|----|------------|-----|-----|----|---|---|---|
| PARAMETER | TEST CONDITION | PART | SYMBOL | MIN. | TYP. | MAX. | UNIT | | | | | | | | |
| Current transfer ratio (collector emitter saturated) | $I_F = 10 \text{ mA}, V_{CE} = 0.4 \text{ V}$ | ILD615-1 | CTR_{CEsat} | | 25 | | % | | | | | | | | |
| | | ILQ615-1 | | | | | | | | | | | | | |
| | | ILD615-2 | CTR_{CEsat} | | | | | 40 | | % | | | | | |
| | | ILQ615-2 | | | | | | | | | | | | | |
| | | ILD615-3 | CTR_{CEsat} | | | | | | | | 60 | | % | | |
| | | ILQ615-3 | | | | | | | | | | | | | |
| ILD615-4 | CTR_{CEsat} | | 100 | | % | | | | | | | | | | |
| ILQ615-4 | | | | | | | | | | | | | | | |
| Current transfer ratio (collector emitter) | $I_F = 1.0 \text{ mA}, V_{CE} = 5.0 \text{ V}$ | | | | ILD615-1 | CTR_{CE} | 13 | 30 | | | | | % | | |
| | | | | | ILQ615-1 | | | | | | | | | | |
| | | | | | ILD615-2 | CTR_{CE} | | | | 22 | 45 | | % | | |
| | | | | | ILQ615-2 | | | | | | | | | | |
| | | ILD615-3 | CTR_{CE} | 34 | 70 | | | | | | | | % | | |
| | | ILQ615-3 | | | | | | | | | | | | | |
| | ILD615-4 | CTR_{CE} | 56 | | | | 90 | | % | | | | | | |
| | ILQ615-4 | | | | | | | | | | | | | | |
| | $I_F = 10 \text{ mA}, V_{CE} = 5.0 \text{ V}$ | ILD615-1 | | | | | | | CTR_{CE} | 40 | 60 | 80 | | % | |
| | | ILQ615-1 | | | | | | | | | | | | | |
| | | ILD615-2 | | CTR_{CE} | 63 | 80 | | | 125 | | | | | | % |
| | | ILQ615-2 | | | | | | | | | | | | | |
| ILD615-3 | | CTR_{CE} | 100 | 150 | | | 200 | | | | | | | | % |
| ILQ615-3 | | | | | | | | | | | | | | | |
| ILD615-4 | CTR_{CE} | 160 | | | | | | | | 200 | 320 | | % | | |
| ILQ615-4 | | | | | | | | | | | | | | | |

| SWITCHING CHARACTERISTICS | | | | | | | | | | | | | |
|---------------------------|---|----------|-----------|------|------|------|---------------|----|--|----|----|--|----|
| PARAMETER | TEST CONDITION | PART | SYMBOL | MIN. | TYP. | MAX. | UNIT | | | | | | |
| NON-SATURATED | | | | | | | | | | | | | |
| Current | $V_{CC} = 5.0 \text{ V}, R_L = 75 \Omega, 50 \% \text{ of } V_{PP}$ | | I_F | | 10 | | mA | | | | | | |
| Turn-on time | $V_{CC} = 5.0 \text{ V}, R_L = 75 \Omega, 50 \% \text{ of } V_{PP}$ | | t_{on} | | 3.0 | | μs | | | | | | |
| Rise time | $V_{CC} = 5.0 \text{ V}, R_L = 75 \Omega, 50 \% \text{ of } V_{PP}$ | | t_r | | 2.0 | | μs | | | | | | |
| Turn-off time | $V_{CC} = 5.0 \text{ V}, R_L = 75 \Omega, 50 \% \text{ of } V_{PP}$ | | t_{off} | | 2.3 | | μs | | | | | | |
| Fall time | $V_{CC} = 5.0 \text{ V}, R_L = 75 \Omega, 50 \% \text{ of } V_{PP}$ | | t_f | | 2.0 | | μs | | | | | | |
| Propagation H to L | $V_{CC} = 5.0 \text{ V}, R_L = 75 \Omega, 50 \% \text{ of } V_{PP}$ | | t_{PHL} | | 1.1 | | μs | | | | | | |
| Propagation L to H | $V_{CC} = 5.0 \text{ V}, R_L = 75 \Omega, 50 \% \text{ of } V_{PP}$ | | t_{PLH} | | 2.5 | | μs | | | | | | |
| SATURATED | | | | | | | | | | | | | |
| Current | $V_{CC} = 5.0 \text{ V}, R_L = 1.0 \text{ k}\Omega, V_{TH} = 1.5 \text{ V}$ | ILD615-1 | I_F | | 20 | | mA | | | | | | |
| | | ILQ615-1 | | | | | | | | | | | |
| | | ILD615-2 | I_F | | | | | 10 | | mA | | | |
| | | ILQ615-2 | | | | | | | | | | | |
| | | ILD615-3 | I_F | | | | | | | | 10 | | mA |
| | | ILQ615-3 | | | | | | | | | | | |
| ILD615-4 | I_F | | 5.0 | | mA | | | | | | | | |
| ILQ615-4 | | | | | | | | | | | | | |



| SWITCHING CHARACTERISTICS | | | | | | | |
|----------------------------------|---|-----------|-----------|------|---------------|------|---------------|
| PARAMETER | TEST CONDITION | PART | SYMBOL | MIN. | TYP. | MAX. | UNIT |
| SATURATED | | | | | | | |
| Turn-on time | $V_{CC} = 5.0\text{ V}, R_L = 1.0\text{ k}\Omega,$ $V_{TH} = 1.5\text{ V}$ | ILD615-1 | t_{on} | | 3.0 | | μs |
| | | ILQ615-1 | | | | | |
| | | ILD615-2 | t_{on} | | 4.3 | | μs |
| | | ILQ615-2 | | | | | |
| | | ILD615-3 | t_{on} | | 4.3 | | μs |
| | | ILQ615-3 | | | | | |
| ILD615-4 | t_{on} | | 6.0 | | μs | | |
| ILQ615-4 | | | | | | | |
| Rise time | $V_{CC} = 5.0\text{ V}, R_L = 1.0\text{ k}\Omega,$ $V_{TH} = 1.5\text{ V}$ | ILD615-1 | t_r | | 2.0 | | μs |
| | | ILQ1615-1 | | | | | |
| | | ILD615-2 | t_r | | 2.8 | | μs |
| | | ILQ615-2 | | | | | |
| | | ILD615-3 | t_r | | 2.8 | | μs |
| | | ILQ615-3 | | | | | |
| ILD615-4 | t_r | | 4.6 | | μs | | |
| ILQ615-4 | | | | | | | |
| Turn-off time | $V_{CC} = 5.0\text{ V}, R_L = 1.0\text{ k}\Omega,$ $V_{TH} = 1.5\text{ V}$ | ILD615-1 | t_{off} | | 18 | | μs |
| | | ILQ615-1 | | | | | |
| | | ILD615-2 | t_{off} | | 25 | | μs |
| | | ILQ615-2 | | | | | |
| | | ILD615-3 | t_{off} | | 25 | | μs |
| | | ILQ615-3 | | | | | |
| ILD615-4 | t_{off} | | 25 | | μs | | |
| ILQ615-4 | | | | | | | |
| Fall time | $V_{CC} = 5.0\text{ V}, R_L = 1.0\text{ k}\Omega,$ $V_{TH} = 1.5\text{ V}$ | ILD615-1 | t_f | | 11 | | μs |
| | | ILQ615-1 | | | | | |
| | | ILD615-2 | t_f | | 14 | | μs |
| | | ILQ615-2 | | | | | |
| | | ILD615-3 | t_f | | 14 | | μs |
| | | ILQ615-3 | | | | | |
| ILD615-4 | t_f | | 15 | | μs | | |
| ILQ615-4 | | | | | | | |
| Propagation H to L | $V_{CC} = 5.0\text{ V}, R_L = 1.0\text{ k}\Omega,$ $V_{TH} = 1.5\text{ V}$ | ILD615-1 | t_{PHL} | | 1.6 | | μs |
| | | ILQ615-1 | | | | | |
| | | ILD615-2 | t_{PHL} | | 2.6 | | μs |
| | | ILQ615-2 | | | | | |
| | | ILD615-3 | t_{PHL} | | 2.6 | | μs |
| | | ILQ615-3 | | | | | |
| ILD615-4 | t_{PHL} | | 5.4 | | μs | | |
| ILQ615-4 | | | | | | | |

| SWITCHING CHARACTERISTICS | | | | | | | |
|---------------------------|---|----------|-----------|------|---------------|------|---------------|
| PARAMETER | TEST CONDITION | PART | SYMBOL | MIN. | TYP. | MAX. | UNIT |
| SATURATED | | | | | | | |
| Propagation L to H | $V_{CC} = 5.0\text{ V}$, $R_L = 1.0\text{ k}\Omega$, $V_{TH} = 1.5\text{ V}$ | ILD615-1 | t_{PLH} | | 8.6 | | μs |
| | | ILQ615-1 | | | | | |
| | | ILD615-2 | t_{PLH} | | 7.2 | | μs |
| | | ILQ615-2 | | | | | |
| | | ILD615-3 | t_{PLH} | | 7.2 | | μs |
| | | ILQ615-3 | | | | | |
| ILD615-4 | t_{PLH} | | 7.4 | | μs | | |
| ILQ615-4 | | | | | | | |

| COMMON MODE TRANSIENT IMMUNITY | | | | | | | |
|-----------------------------------|---|----------|------|------|------|------------------------|--|
| PARAMETER | TEST CONDITION | SYMBOL | MIN. | TYP. | MAX. | UNIT | |
| Common mode rejection output high | $V_{CM} = 50\text{ V}_{P-P}$, $R_L = 1.0\text{ k}\Omega$, $I_F = 0\text{ mA}$ | CM_H | | 5000 | | $\text{V}/\mu\text{s}$ | |
| Common mode rejection output low | $V_{CM} = 50\text{ V}_{P-P}$, $R_L = 1.0\text{ k}\Omega$, $I_F = 0\text{ mA}$ | CM_L | | 5000 | | $\text{V}/\mu\text{s}$ | |
| Common mode coupling capacitance | | C_{CM} | | 0.01 | | pF | |

TYPICAL CHARACTERISTICS

$T_{amb} = 25\text{ }^\circ\text{C}$, unless otherwise specified

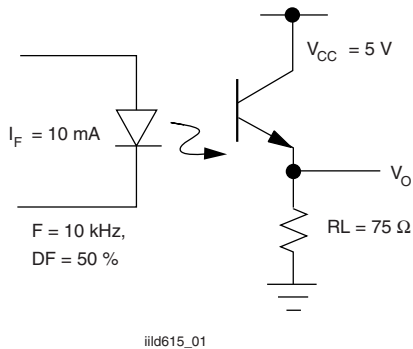


Fig. 1 - Non-Saturated Switching Timing

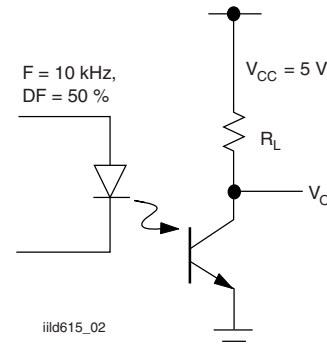


Fig. 2 - Saturated Switching Timing



Fig. 3 - Non-Saturated Switching Timing



Fig. 6 - Maximum LED Power Dissipation

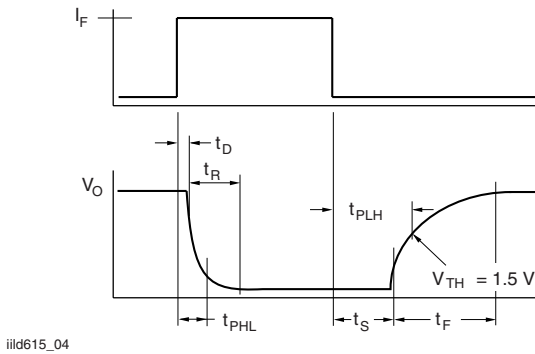


Fig. 4 - Saturated Switching Timing



Fig. 7 - Forward Voltage vs. Forward Current

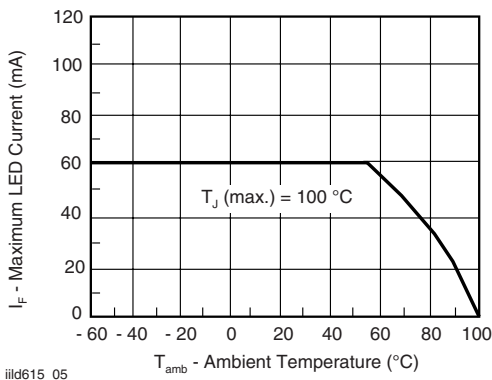


Fig. 5 - Maximum LED Current vs. Ambient Temperature

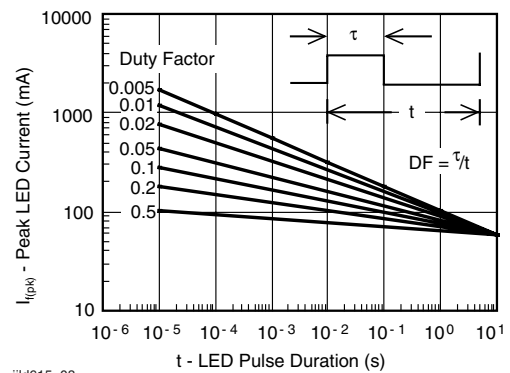


Fig. 8 - Peak LED Current vs. Pulse Duration, τ



iiid615_09

Fig. 9 - Maximum Detector Power Dissipation



iiid615_12

Fig. 12 - Normalization Factor for Non-Saturated and Saturated CTR vs. I_F



iiid615_10

Fig. 10 - Maximum Collector Current vs. Collector Voltage



iiid615_13

Fig. 13 - Normalization Factor for Non-Saturated and Saturated CTR vs. I_F



iiid615_11

Fig. 11 - Normalization Factor for Non-Saturated and Saturated CTR vs. I_F



iiid615_14

Fig. 14 - Normalization Factor for Non-Saturated and Saturated CTR vs. I_F



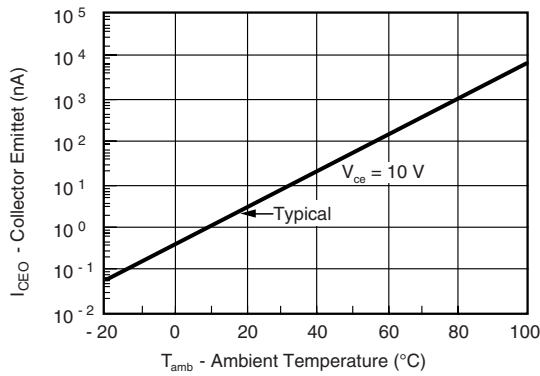
iiid615_15

Fig. 15 - Collector Emitter Current vs. Temperature and LED Current



iiid615_18

Fig. 18 - -2, -3, Propagation Delay vs. Collector Load Resistor



iiid615_16

Fig. 16 - Collector Emitter Leakage vs. Temperature



iiid615_19

Fig. 19 - -4, Propagation Delay vs. Collector Load Resistor



iiid615_17

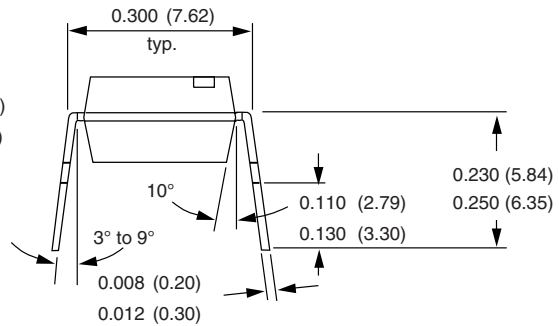
Fig. 17 - -1, Propagation Delay vs. Collector Load Resistor

ILD615/ILQ615

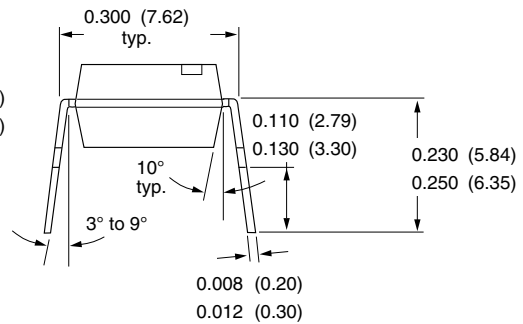
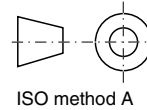


Vishay Semiconductors Optocoupler, Phototransistor Output
(Dual, Quad Channel)

PACKAGE DIMENSIONS in inches (millimeters)



i178006



i178007



Option 6



Option 7



Option 9



18450



OZONE DEPLETING SUBSTANCES POLICY STATEMENT

It is the policy of Vishay Semiconductor GmbH to

1. Meet all present and future national and international statutory requirements.
2. Regularly and continuously improve the performance of our products, processes, distribution and operating systems with respect to their impact on the health and safety of our employees and the public, as well as their impact on the environment.

It is particular concern to control or eliminate releases of those substances into the atmosphere which are known as ozone depleting substances (ODSs).

The Montreal Protocol (1987) and its London Amendments (1990) intend to severely restrict the use of ODSs and forbid their use within the next ten years. Various national and international initiatives are pressing for an earlier ban on these substances.

Vishay Semiconductor GmbH has been able to use its policy of continuous improvements to eliminate the use of ODSs listed in the following documents.

1. Annex A, B and list of transitional substances of the Montreal Protocol and the London Amendments respectively.
2. Class I and II ozone depleting substances in the Clean Air Act Amendments of 1990 by the Environmental Protection Agency (EPA) in the USA.
3. Council Decision 88/540/EEC and 91/690/EEC Annex A, B and C (transitional substances) respectively.

Vishay Semiconductor GmbH can certify that our semiconductors are not manufactured with ozone depleting substances and do not contain such substances.

We reserve the right to make changes to improve technical design
and may do so without further notice.

Parameters can vary in different applications. All operating parameters must be validated for each customer application by the customer. Should the buyer use Vishay Semiconductors products for any unintended or unauthorized application, the buyer shall indemnify Vishay Semiconductors against all claims, costs, damages, and expenses, arising out of, directly or indirectly, any claim of personal damage, injury or death associated with such unintended or unauthorized use.

Vishay Semiconductor GmbH, P.O.B. 3535, D-74025 Heilbronn, Germany



Disclaimer

All product specifications and data are subject to change without notice.

Vishay Intertechnology, Inc., its affiliates, agents, and employees, and all persons acting on its or their behalf (collectively, "Vishay"), disclaim any and all liability for any errors, inaccuracies or incompleteness contained herein or in any other disclosure relating to any product.

Vishay disclaims any and all liability arising out of the use or application of any product described herein or of any information provided herein to the maximum extent permitted by law. The product specifications do not expand or otherwise modify Vishay's terms and conditions of purchase, including but not limited to the warranty expressed therein, which apply to these products.

No license, express or implied, by estoppel or otherwise, to any intellectual property rights is granted by this document or by any conduct of Vishay.

The products shown herein are not designed for use in medical, life-saving, or life-sustaining applications unless otherwise expressly indicated. Customers using or selling Vishay products not expressly indicated for use in such applications do so entirely at their own risk and agree to fully indemnify Vishay for any damages arising or resulting from such use or sale. Please contact authorized Vishay personnel to obtain written terms and conditions regarding products designed for such applications.

Product names and markings noted herein may be trademarks of their respective owners.

Компания «Life Electronics» занимается поставками электронных компонентов импортного и отечественного производства от производителей и со складов крупных дистрибьюторов Европы, Америки и Азии.

С конца 2013 года компания активно расширяет линейку поставок компонентов по направлению коаксиальный кабель, кварцевые генераторы и конденсаторы (керамические, пленочные, электролитические), за счёт заключения дистрибьюторских договоров

Мы предлагаем:

- Конкурентоспособные цены и скидки постоянным клиентам.
- Специальные условия для постоянных клиентов.
- Подбор аналогов.
- Поставку компонентов в любых объемах, удовлетворяющих вашим потребностям.
- Приемлемые сроки поставки, возможна ускоренная поставка.
- Доставку товара в любую точку России и стран СНГ.
- Комплексную поставку.
- Работу по проектам и поставку образцов.
- Формирование склада под заказчика.
- Сертификаты соответствия на поставляемую продукцию (по желанию клиента).
- Тестирование поставляемой продукции.
- Поставку компонентов, требующих военную и космическую приемку.
- Входной контроль качества.
- Наличие сертификата ISO.

В составе нашей компании организован Конструкторский отдел, призванный помогать разработчикам, и инженерам.

Конструкторский отдел помогает осуществить:

- Регистрацию проекта у производителя компонентов.
- Техническую поддержку проекта.
- Защиту от снятия компонента с производства.
- Оценку стоимости проекта по компонентам.
- Изготовление тестовой платы монтаж и пусконаладочные работы.



Тел: +7 (812) 336 43 04 (многоканальный)

Email: org@lifeelectronics.ru