

## Wireless module - RAD-2400-IFS - 2901541

Please be informed that the data shown in this PDF Document is generated from our Online Catalog. Please find the complete data in the user's documentation. Our General Terms of Use for Downloads are valid (<http://phoenixcontact.com/download>)



2400 MHz wireless transceiver with RS-232, RS-485 2-wire interface, expandable with I/O extension modules, with screw connection, antenna connection:RSMA (female), including DIN rail connector, without antenna

### Product Description

Radioline is the new wireless system for large systems. Special features include extremely easy assignment of inputs and outputs by simply turning the thumbwheel - without any programming. Radioline transmits I/O signals (I/O mode) or serial data (serial mode) and is therefore very versatile. Alternatively, I/O signals can now also be connected to controllers directly using the Modbus protocol (PLC/Modbus RTU mode). In addition, you can implement various network structures: from a simple point-to-point connection to complex mesh networks. Thanks to the latest Trusted Wireless technology, Radioline is the ideal choice for industrial use.

### Product Features

- ✓ License-free 2.4 GHz frequency band
- ✓ Extended temperature range, -40°C ... +70°C
- ✓ Range of several kilometers thanks to adjustable data rates for the wireless interface (16 ... 500 kbps)
- ✓ Integrated RS-232/RS-485 interface
- ✓ Quick and easy startup without programming
- ✓ High degree of reliability due to Trusted Wireless 2.0 technology (AES encryption, frequency hopping method, and coexistence management)
- ✓ Suitable for ATEX zone 2
- ✓ Mesh networks of up to 250 devices



### Key Commercial Data

Packing unit	1 pc
Weight per Piece (excluding packing)	220.0 g
Custom tariff number	85176200
Country of origin	Germany

### Technical data

#### Note

# Wireless module - RAD-2400-IFS - 2901541

## Technical data

### Note

Utilization restriction	EMC: class A product, see manufacturer's declaration in the download area
-------------------------	---

### Dimensions

Width	17.5 mm
Height	99 mm
Depth	114.5 mm

### Ambient conditions

Degree of protection	IP20
Ambient temperature (operation)	-40 °C ... 70 °C (>55°C derating) -40 °F ... 158 °F (>131°F derating)
Ambient temperature (storage/transport)	-40 °C ... 85 °C -40 °F ... 185 °F
Permissible humidity (operation)	20 % ... 85 %
Permissible humidity (storage/transport)	20 % ... 85 %
Altitude	2000 m
Vibration (operation)	in accordance with IEC 60068-2-6: 5g, 10 Hz ... 150 Hz
Shock	16g, 11 ms

### General

Operating mode	I/O data (Default setting, configuration via thumbwheel) Serial data (Activation and configuration via PSI-CONF software) PLC/Modbus RTU mode (Activation and configuration via PSI-CONF software)
Overvoltage category	II
Assembly instructions	on standard DIN rail NS 35 in accordance with EN 60715
Pollution degree	2
Housing material	PA 6.6-FR
Flammability rating according to UL 94	V0
MTTF	778 Years (Telcordia standard, 25°C temperature, 21% operating cycle (5 days a week, 8 hours a day)) 358 Years (Telcordia standard, 40°C temperature, 34.25% operating cycle (5 days a week, 12 hours a day)) 142 Years (Telcordia standard, temperature 40 °C, operating cycle 100 % (7 days a week, 24 hours a day))
Wireless licences	Australia Belgium Bulgaria Denmark Germany

# Wireless module - RAD-2400-IFS - 2901541

## Technical data

### General

	Estonia
	France
	Finland
	Greece
	Great Britain
	Italy
	Ireland
	Iceland
	Canada
	Croatia
	Liechtenstein
	Luxembourg
	Latvia
	Lithuania
	Malta
	Morocco
	Netherlands
	Norway (The device may not be operated within 20 km of Ny Ålesund town center.)
	Austria
	Poland
	Portugal
	Romania
	Russia
	Sweden
	Switzerland
	Slovakia
	Slovenia
	Singapore
	Spain
	South Africa
	Thailand
	Czech Republic
	Turkey (The device may only be operated with Phoenix Contact antennas in accordance with the "Short Range Radio Devices (SRD) Regulations" Gazette No. 26464 dated March 16, 2007.)
	Hungary
	USA

# Wireless module - RAD-2400-IFS - 2901541

## Technical data

### General

	Ukraine
	United Arab Emirates
	Cyprus (rep.)
Export note	*The range may be considerably above or below that stated. It is dependent on the environment, antenna technology, transmission power, and the product used.

### Supply

Supply voltage range	19.2 V DC ... 30.5 V DC
Max. current consumption	≤ 65 mA (@ 24 V DC, @ 25°C, stand-alone)
Transient surge protection	Yes

### Wireless interface

Antenna connection	RSMA (female)
Direction	Bi-directional
Frequency	2400 MHz
Frequency range	2.4002 GHz ... 2.4785 GHz
Number of channel groups	8
Number of channels per group	55
Channel distance	1.3 MHz
Data rate	16 kbps (adjustable)
	125 kbps (Default setting, adjustable)
	250 kbps (adjustable)
Receiver sensitivity	-106 dBm (16 kbps)
	-96 dBm (125 kbps)
	-93 dBm (250 kbps)
Transmit capacity, minimum	0 dBm
Transmit capacity, maximum	≤ 20 dBm (Outside of Europe, adjustable via software)
	≤ 19 dBm (Europe, can be set via software, depends on the data rate)
	18 dBm (Default setting, adjustable)
Range	± 5 km (The range may be considerably above or below that stated, and depends on the environment, antenna technology, and the product used)
Security	128-bit data encryption

### Serial interface

Interface 1	RS-232
Connection method	COMBICON plug-in screw terminal block
	3-conductor
Transmission length	≤ 15 m
Transmission speed	0,3 ... 115,2 kbit/s

# Wireless module - RAD-2400-IFS - 2901541

## Technical data

### Serial interface

Interface 2	RS-485
Connection method	COMBICON plug-in screw terminal block
	2-wire
Transmission length	≤ 1200 m
Termination resistor	390 Ω (switchable via DIP switches)
	150 Ω (switchable via DIP switches)
	390 Ω (switchable via DIP switches)
Transmission speed	0,3 ... 187,5 kbit/s
Interface 3	Configuration interface
Connection method	S-PORT (socket)

### System limits

Designation	Wireless module
Number of supported devices	≤ 250 (Addressing via PSI-CONF software)
	≤ 99 (Addressing via thumbwheel)
Number of possible extension modules	≤ 32 (per wireless module)
Designation	Wireless network
I/O data mode	≤ 99 (I/O extension modules per wireless network, serial interfaces deactivated)
Serial data mode	0 (no I/O extension modules can be used)
PLC/Modbus RTU mode	≤ 99 (I/O extension modules per wireless network, access to extension modules via Modbus RTU protocol)

### RSSI output

Number of outputs	1
Voltage output signal	0 V ... 3 V

### RF link relay output

Number of outputs	1
Contact type	PDT
Contact material	PdRu, gold-plated
Maximum switching voltage	30 V AC/DC
	60 V DC
Max. switching current	500 mA (30 V AC/DC)
Electrical service life	5 x 10 <sup>5</sup> cycles with 0.5 A @ 30 V DC

### Connection data

Connection method	Screw connection
Conductor cross section solid min.	0.2 mm <sup>2</sup>
Conductor cross section solid max.	2.5 mm <sup>2</sup>

# Wireless module - RAD-2400-IFS - 2901541

## Technical data

### Connection data

Conductor cross section flexible min.	0.2 mm <sup>2</sup>
Conductor cross section flexible max.	2.5 mm <sup>2</sup>
Conductor cross section AWG min.	24
Conductor cross section AWG max.	14
Stripping length	7 mm
Tightening torque	0.6 Nm
Screw thread	M3

### Status indicator

Status display	Green LED (supply voltage, PWR)
	Green LED (bus communication, DAT)
	Red LED (periphery error, ERR)
	3 x green, 1 x yellow LED (LED bar graph receive quality, RSSI)
	Green LED (receive data, RX)
	Green LED (transmit data, TX)

### Approvals and conformance

Conformance	CE compliance (R&TTE directive 1999/5/EC)
IECEX	Ex nA nC IIC T4 Gc
UL, USA / Canada	UL 508 Listed
Standard designation	Ex Directive (ATEX)
Standards/regulations	EN 60079-0
Standard designation	Ex Directive (ATEX)
Standards/regulations	EN-60079-15
Standard designation	R&TTE Directive 1999/5/EC
Standards/regulations	EN 300328
	EN 61000-6-4
	EN 61000-6-2
	EN 50371
	EN 60950-1

### Standards and Regulations

Electromagnetic compatibility	Conformance with EMC Directive 2004/108/EC (valid until 19.04.2016) / 2014/30/EU (valid from 20.04.2016)
Standard designation	Ex Directive (ATEX)
Standards/regulations	EN 60079-0
Standard designation	Ex Directive (ATEX)
Standards/regulations	EN-60079-15
Standard designation	R&TTE Directive 1999/5/EC

# Wireless module - RAD-2400-IFS - 2901541

## Technical data

### Standards and Regulations

Standards/regulations	EN 300328
	EN 61000-6-4
	EN 61000-6-2
	EN 50371
	EN 60950-1
Shock	16g, 11 ms
Flammability rating according to UL 94	V0
Interface description	Trusted Wireless
Channel distance	1.3 MHz
Security	128-bit data encryption
Vibration (operation)	in accordance with IEC 60068-2-6: 5g, 10 Hz ... 150 Hz
Conformance	CE compliance (R&TTE directive 1999/5/EC)
	FCC Directive, Part 15.247
	ISC Directive RSS 210
ATEX	# II 3 G Ex nA nC IIC T4 Gc X
IECEX	Ex nA nC IIC T4 Gc
UL, USA / Canada	UL 508 Listed
	Class I, Div. 2, Groups A, B, C, D T4A
	Class I, Zone 2, IIC T4

## Classifications

### eCl@ss

eCl@ss 4.0	27230207
eCl@ss 4.1	27230207
eCl@ss 5.0	27230207
eCl@ss 5.1	27242208
eCl@ss 6.0	27242208
eCl@ss 7.0	27242208
eCl@ss 8.0	19179290

### ETIM

ETIM 3.0	EC001423
ETIM 4.0	EC000310
ETIM 5.0	EC000310

### UNSPSC

UNSPSC 6.01	30211506
-------------	----------

# Wireless module - RAD-2400-IFS - 2901541

## Classifications

### UNSPSC

UNSPSC 7.0901	43223108
UNSPSC 11	39121008
UNSPSC 12.01	43223108
UNSPSC 13.2	43223108

## Approvals

### Approvals

Approvals

UL Listed / cUL Listed / EAC / EAC / cULus Listed

Ex Approvals

ATEX / IECEx / UL Listed / cUL Listed / cULus Listed

Approvals submitted


### Approval details

UL Listed 

cUL Listed 

EAC

EAC

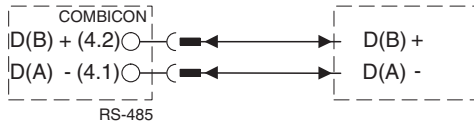
cULus Listed 

## Drawings



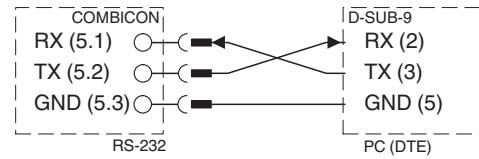
# Wireless module - RAD-2400-IFS - 2901541

Connection diagram



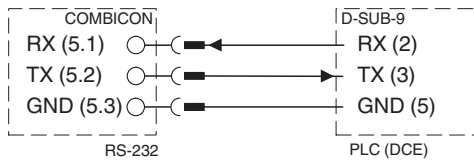
RS-485 connection

Connection diagram



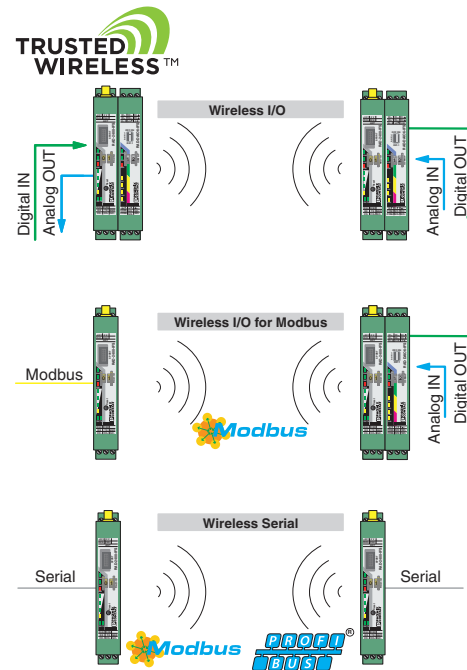
RS-232 connection

Connection diagram



RS-232 connection

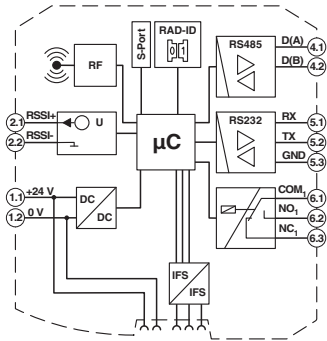
Application drawing



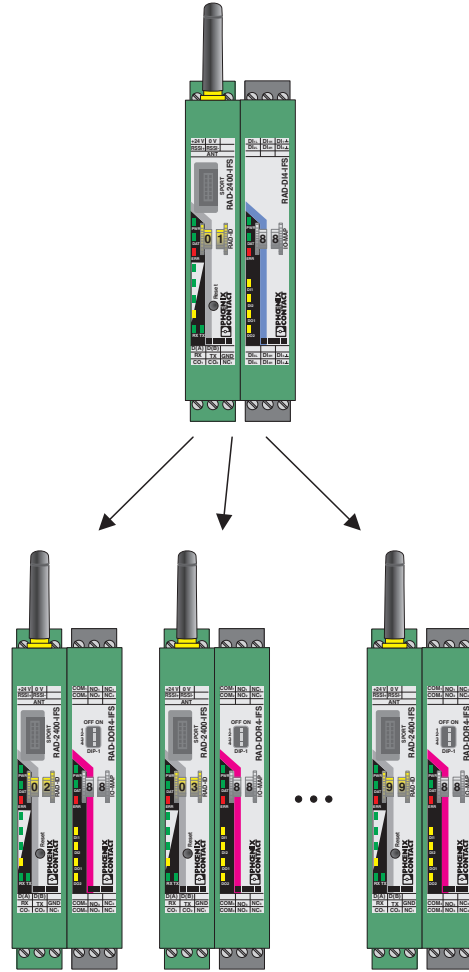
Trusted Wireless

# Wireless module - RAD-2400-IFS - 2901541

Block diagram



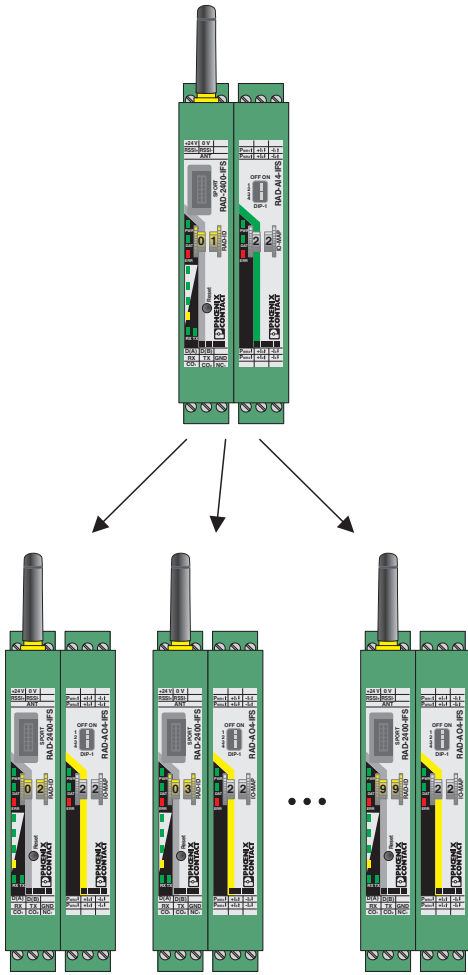
Functional drawing



Assignment of digital inputs and digital outputs

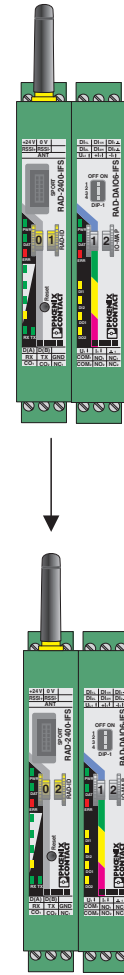
# Wireless module - RAD-2400-IFS - 2901541

Functional drawing



Assignment of analog inputs and analog outputs

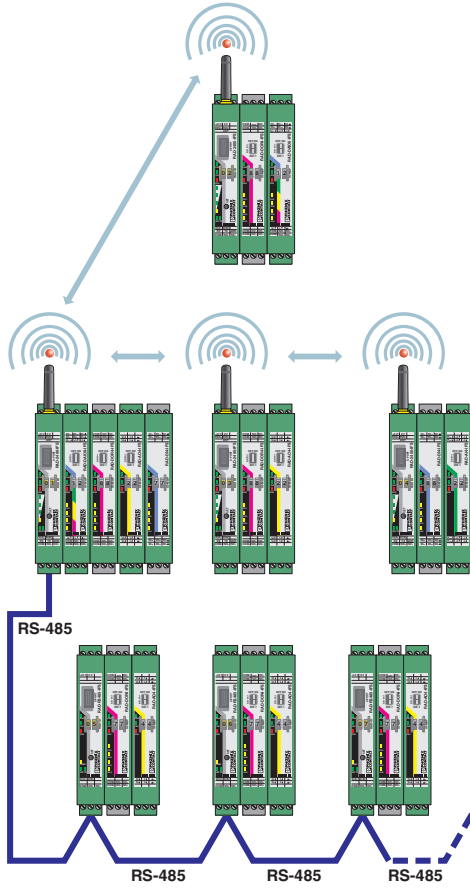
Functional drawing



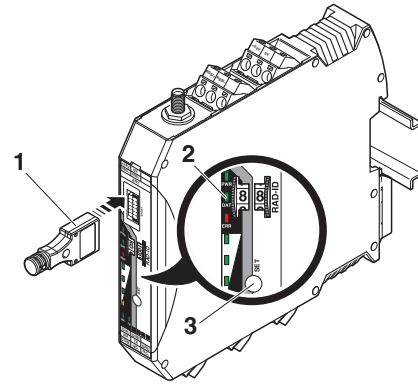
RAD-DAIO6-IFS assignment: analog/digital inputs and outputs

# Wireless module - RAD-2400-IFS - 2901541

Functional drawing



Schematic diagram

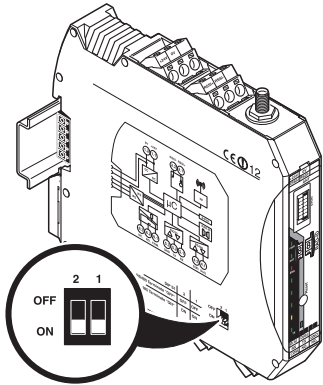


Configuration via CONFSTICK

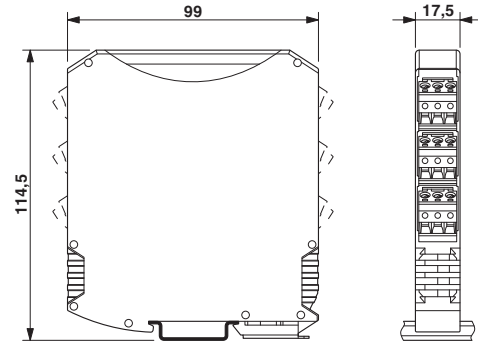
I/O-to-I/O, wireless, and RS-485

# Wireless module - RAD-2400-IFS - 2901541

Schematic diagram



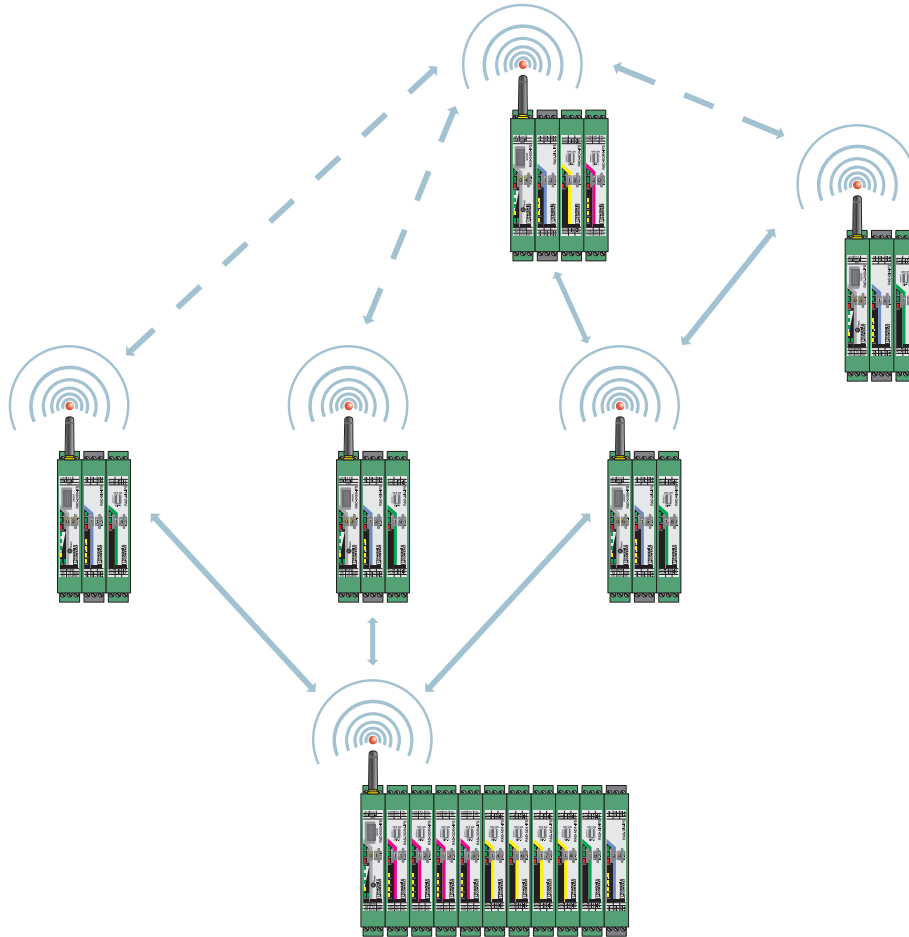
Dimensional drawing



DIP switches

# Wireless module - RAD-2400-IFS - 2901541

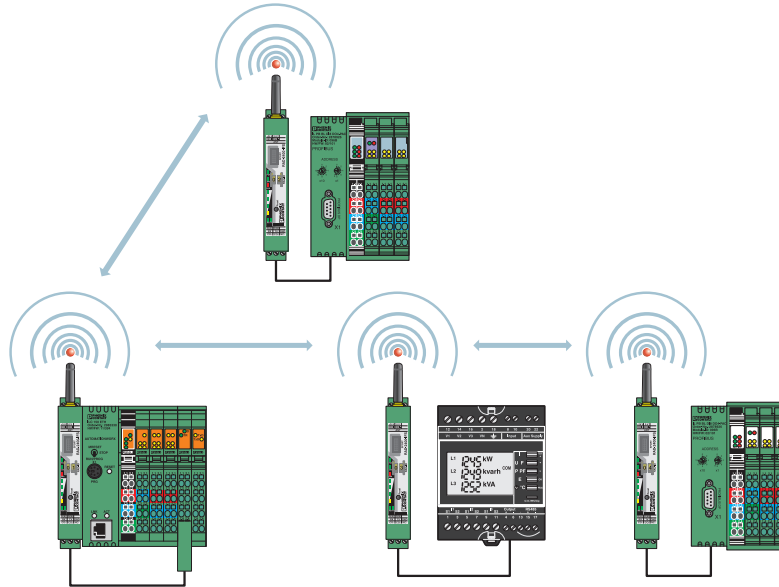
Application drawing



Wireless module in I/O data mode

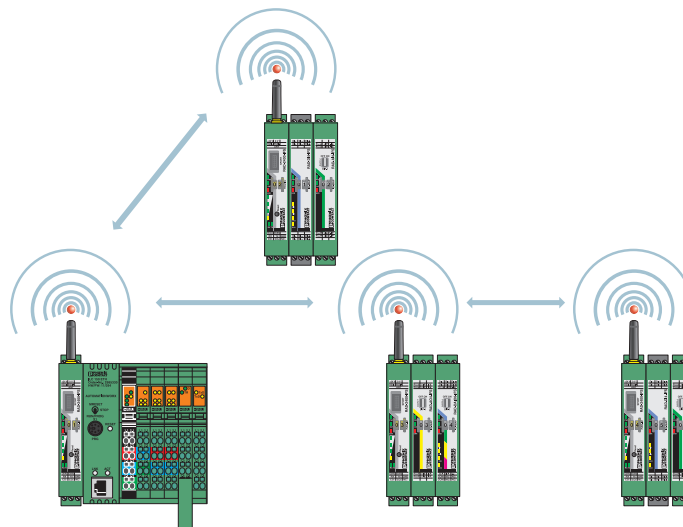
# Wireless module - RAD-2400-IFS - 2901541

Application drawing



Serial data mode

Application drawing



Wireless module in PLC/Modbus RTU mode





Компания «Life Electronics» занимается поставками электронных компонентов импортного и отечественного производства от производителей и со складов крупных дистрибьюторов Европы, Америки и Азии.

С конца 2013 года компания активно расширяет линейку поставок компонентов по направлению коаксиальный кабель, кварцевые генераторы и конденсаторы (керамические, пленочные, электролитические), за счёт заключения дистрибьюторских договоров

Мы предлагаем:

- Конкуренспособные цены и скидки постоянным клиентам.
- Специальные условия для постоянных клиентов.
- Подбор аналогов.
- Поставку компонентов в любых объемах, удовлетворяющих вашим потребностям.
- Приемлемые сроки поставки, возможна ускоренная поставка.
- Доставку товара в любую точку России и стран СНГ.
- Комплексную поставку.
- Работу по проектам и поставку образцов.
- Формирование склада под заказчика.
- Сертификаты соответствия на поставляемую продукцию (по желанию клиента).
- Тестирование поставляемой продукции.
- Поставку компонентов, требующих военную и космическую приемку.
- Входной контроль качества.
- Наличие сертификата ISO.

В составе нашей компании организован Конструкторский отдел, призванный помогать разработчикам, и инженерам.

Конструкторский отдел помогает осуществить:

- Регистрацию проекта у производителя компонентов.
- Техническую поддержку проекта.
- Защиту от снятия компонента с производства.
- Оценку стоимости проекта по компонентам.
- Изготовление тестовой платы монтаж и пусконаладочные работы.



Тел: +7 (812) 336 43 04 (многоканальный)

Email: [org@lifeelectronics.ru](mailto:org@lifeelectronics.ru)