

NX-series Digital Output Units

NX-OD/OC

CSM_NX-OD_OC_DS_E_5_1

A Wide Range of Digital Output Units from General Purpose use to High-Speed Synchronous Control

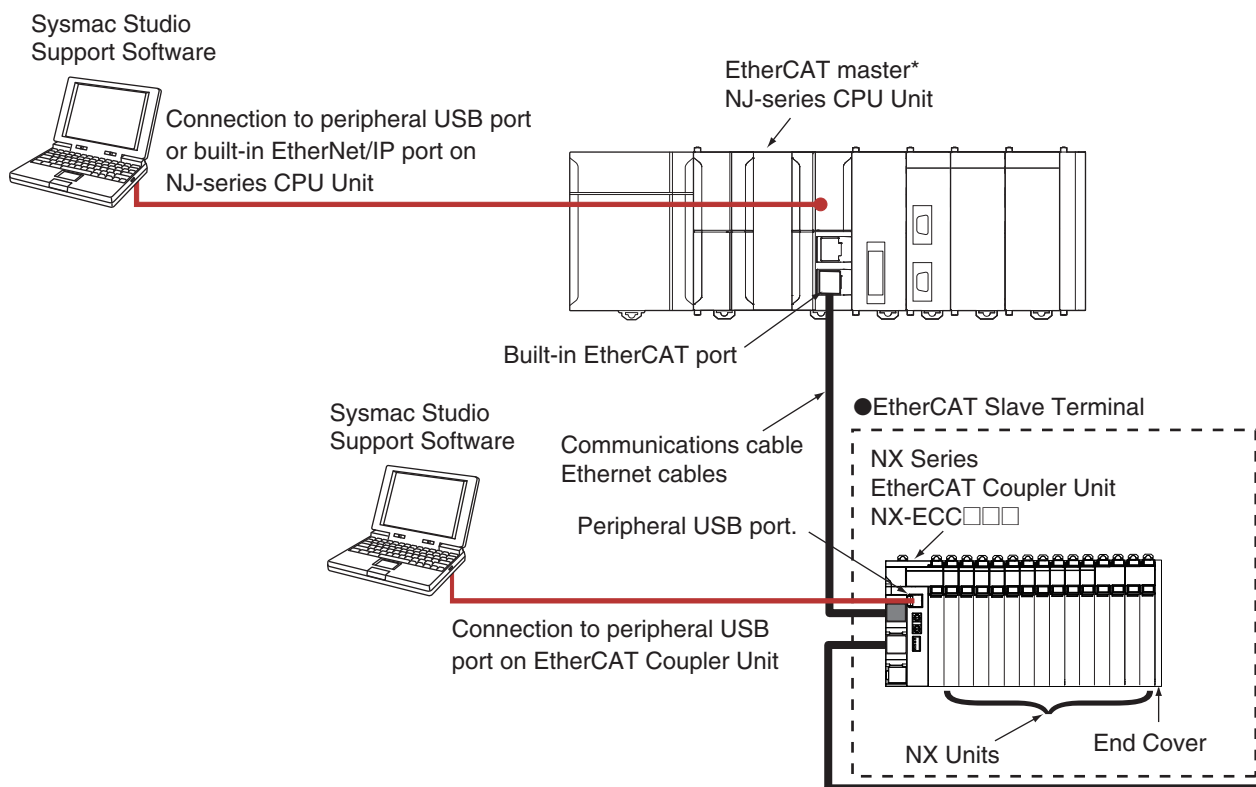
- Transistor and relay Output Units for the NX-series modular I/O system.
- Connect to other NX-series I/O Units and EtherCAT Coupler units using the high-speed NX-bus.
- Synchronous Units update their output status according to the controller's instructions every EtherCAT cycle.



Features

- High-speed I/O refreshing is possible by connecting with the NX-series EtherCAT Coupler.
- Output refreshing can be synchronized with the control cycle of the Controller. (Synchronous refreshing)
- ON/OFF response time of the high-speed model is 300 ns max, which enables high-speed, high-precision control.
- The screwless terminal block is detachable for easy commissioning and maintenance.
- Screwless clamp terminal block and Connector types are significantly reduces wiring work.
- Up to 16 digital outputs in a space-saving 12 mm width. (Connector Types 30 mm width)
- The lineup includes 2-point, 4-point, 8-point, 16-point, and 32-point types with 3-wire, 2-wire and 1-wire connection methods.
- With output refreshing with specified time stamp, the Output Unit refreshes outputs at the time specified by the program. This enables high-precision output control independent of the control cycle of the Controller.

System Configuration



* OMRON CJ1W-NC□81/□82 Position Control Units cannot be connected to the EtherCAT Slave Terminal even though they support EtherCAT.

Sysmac® is a trademark or registered trademark of OMRON Corporation in Japan and other countries for OMRON factory automation products. EtherCAT® is a registered trademark of Beckhoff Automation GmbH for their patented technology. Other company names and product names in this document are the trademarks or registered trademarks of their respective companies.

Ordering Information

International Standards

- The standards are abbreviated as follows: U: UL, U1: UL (Class I Division 2 Products for Hazardous Locations), C: CSA, UC: cULus, UC1: cULus (Class I Division 2 Products for Hazardous Locations), CU: cUL, N: NK, L: Lloyd, CE: EC Directives, and KC: KC Registration.
- Contact your OMRON representative for further details and applicable conditions for these standards.

Transistor Output Unit (Screwless Clamping Terminal Block, 12 mm Width)

| Unit type | Product Name | Specification | | | | | | Model | Standards | | | |
|--------------------------------|---|------------------|---------------------|-------------------------------|---------------|--|--------------------------|-----------------------|-------------------|--------------|--------------------------|-----------|
| | | Number of points | Internal I/O common | Maximum value of load current | Rated voltage | I/O refreshing method | ON/OFF response time | | | | | |
| NX Series Digital output Units |  | 2 points | NPN | 0.5 A/point, 1 A/Unit | 24 VDC | Output refreshing with specified time stamp only* | 300 ns max./ 300 ns max. | NX-OD2154 | UC1, N, L, CE, KC | | | |
| | | | PNP | | | | | NX-OD2258 | | | | |
| | | 4 points | NPN | 0.5 A/point, 2 A/Unit | 12 to 24 VDC | Switching Synchronous I/O refreshing and Free-Run refreshing | 300 ns max./ 300 ns max. | NX-OD3121 | | | | |
| | | | PNP | | | | | 24 VDC | | NX-OD3153 | | |
| | | | 8 points | | NPN | | | 0.5 A/point, 4 A/Unit | | 12 to 24 VDC | 0.1 ms max./ 0.8 ms max. | NX-OD4121 |
| | | | | | PNP | | | | | 24 VDC | 0.5 ms max./ 1.0 ms max. | NX-OD4256 |
| | | 16 points | NPN | 0.5 A/point, 4 A/Unit | 12 to 24 VDC | 0.1 ms max./ 0.8 ms max. | NX-OD5121 | | | | | |
| | | | PNP | | 24 VDC | 0.5 ms max./ 1.0 ms max. | NX-OD5256 | | | | | |

* To use output refreshing with specified time stamp, NJ CPU Unit with unit version 1.06 or later, EtherCAT Coupler Unit with unit version 1.1 or later, and Sysmac Studio version 1.07 or higher are required.

Transistor Output Units (MIL Connector, 30 mm Width)

| Unit type | Product Name | Specification | | | | | | Model | Standards |
|--------------------------------|---|------------------|---------------------|-----------------------------------|---------------|--|--------------------------|-------------|-------------|
| | | Number of points | Internal I/O common | Maximum value of load current | Rated voltage | I/O refreshing method | ON/OFF response time | | |
| NX Series Digital output Units |  | 16 points | NPN | 0.5 A/point, 2 A/Unit | 12 to 24 VDC | Switching Synchronous I/O refreshing and Free-Run refreshing | 0.1 ms max./ 0.8 ms max. | NX-OD5121-5 | UC1, CE, KC |
| | | | PNP | | 24 VDC | | 0.5 ms max./ 1.0 ms max. | NX-OD5256-5 | |
| | | 32 points | NPN | 0.5 A/point, 2 A/common, 4 A/Unit | 12 to 24 VDC | | 0.1 ms max./ 0.8 ms max. | NX-OD6121-5 | |
| | | | PNP | | 24 VDC | | 0.5 ms max./ 1.0 ms max. | NX-OD6256-5 | |

Relay Output Unit (Screwless Clamping Terminal Block, 12 mm Width)

| Unit type | Product Name | Specification | | | | | Model | Standards |
|--------------------------------|---|---------------|------------|--|-----------------------|----------------------|-----------|-------------------|
| | | Capacity | Relay type | Maximum switching capacity | I/O refreshing method | ON/OFF response time | | |
| NX Series Digital output Units |  | 2 points | N.O. | AC250V/2A (cosφ=1) AC250V/2A (cosφ=0.4) DC24V/2A 4A/NX Unit | Free-Run refreshing | 15ms max./ 15ms max. | NX-OC2633 | UC1, N, L, CE, KC |
| | | | NO+NC | | | | NX-OC2733 | UC1, N, CE, KC |

Option

| Product Name | Specification | | | | Model | Standards |
|---------------------------------|--|-----------------------------|----------------------|---------------------------|-----------|-----------|
| Unit/Terminal Block Coding Pins | For 10 Units (Terminal Block: 30 pins, Unit: 30 pins) | | | | NX-AUX02 | --- |
| Product Name | Specification | | | | Model | Standards |
| | No. of terminals | Terminal number indications | Ground terminal mark | Terminal current capacity | | |
| Terminal Block | 8 | A/B | None | 10 A | NX-TBA082 | --- |
| | 12 | | | | NX-TBA122 | |
| | 16 | | | | NX-TBA162 | |

Accessories

Not included.


General Specification

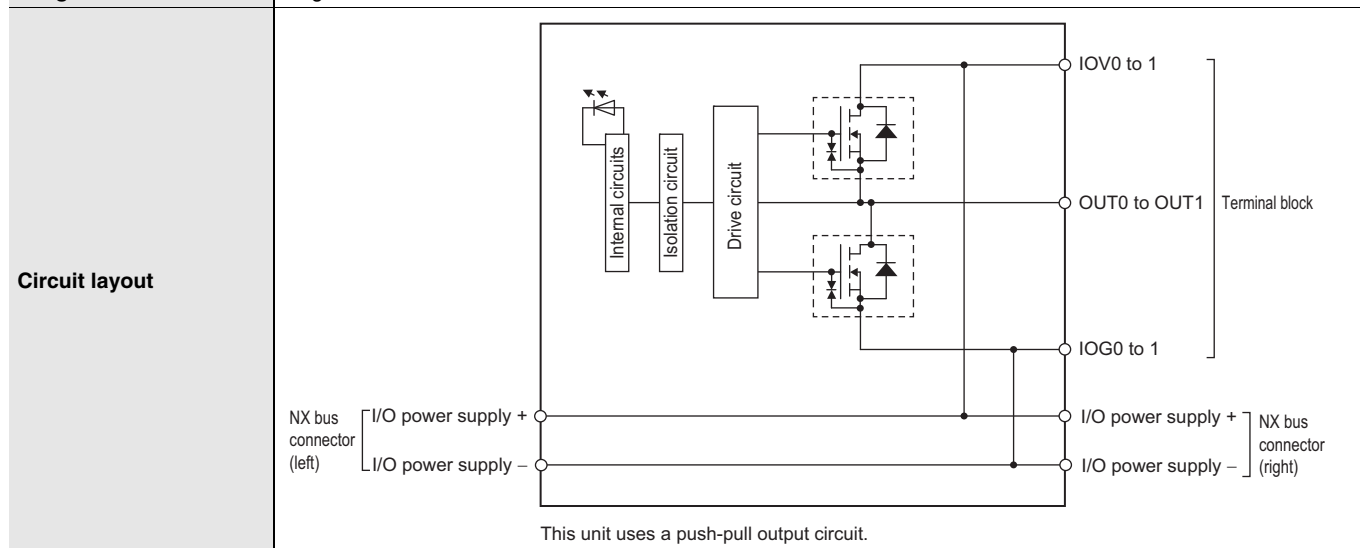
| Item | | Specification |
|------------------------------|---|---|
| Enclosure | | Mounted in a panel |
| Grounding method | | Ground to 100 Ω or less |
| Operating environment | Ambient operating temperature | 0 to 55°C |
| | Ambient operating humidity | 10% to 95% (with no condensation or icing) |
| | Atmosphere | Must be free from corrosive gases. |
| | Ambient storage temperature | -25 to 70°C (with no condensation or icing) |
| | Altitude | 2,000 m max. |
| | Pollution degree | 2 or less: Conforms to JIS B3502 and IEC 61131-2. |
| | Noise immunity | 2 kV on power supply line (Conforms to IEC61000-4-4.) |
| | Overvoltage category | Category II: Conforms to JIS B3502 and IEC 61131-2. |
| | EMC immunity level | Zone B |
| | Vibration resistance* | Conforms to IEC 60068-2-6. 5 to 8.4 Hz with 3.5-mm amplitude, 8.4 to 150 Hz, acceleration of 9.8 m/s ² , 100 min each in X, Y, and Z directions (10 sweeps of 10 min each = 100 min total) |
| Shock resistance* | Conforms to IEC 60068-2-27. 147 m/s ² , 3 times each in X, Y, and Z directions | |
| Applicable standards | | cULus: Listed UL508 and ANSI/ISA 12.12.01 EC: EN 61131-2 and C-Tick, KC: KC Registration, NK, LR |

* For the Relay Output Unit, refer to the Digital Input Unit Specifications.

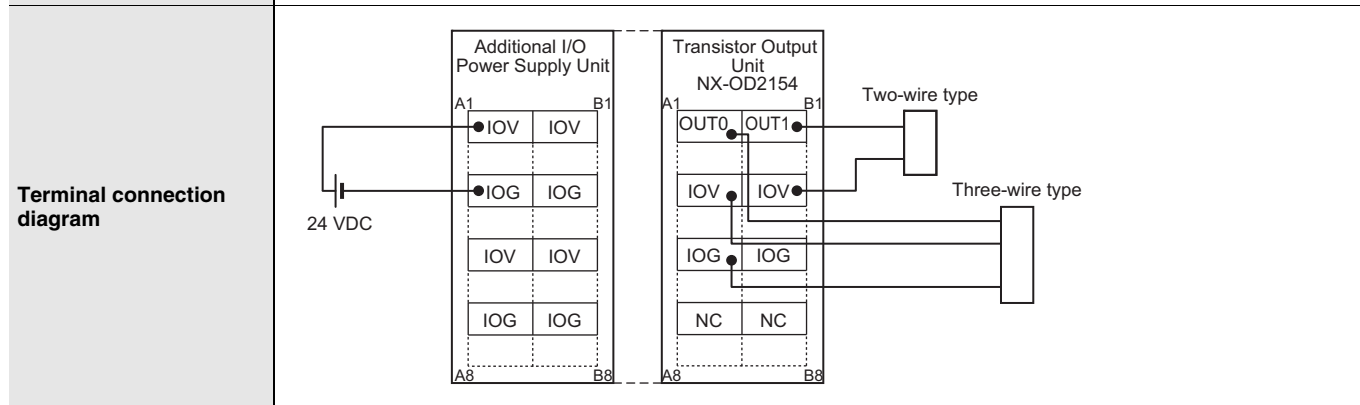
Digital Output Unit Specifications

● Transistor Output Unit (Screwless Clamping Terminal Block 12 mm, Width) NX-OD2154

| | | | |
|----------------------------------|---|--|--|
| Unit name | Transistor Output Unit | Model | NX-OD2154 |
| Capacity | 2 points | External connection terminals | Screwless clamping terminal block (8 terminals) |
| I/O refreshing method | Output refreshing with specified time stamp | | |
| Indicators | TS indicator, output indicator  | Internal I/O common | NPN |
| | | Rated voltage | 24 VDC |
| | | Operating load voltage range | 15 to 28.8 VDC |
| | | Maximum value of load current | 0.5 A/point, 1 A/NX Unit |
| | | Maximum inrush current | 4.0 A/point, 10 ms max. |
| | | Leakage current | 0.1 mA max. |
| | | Residual voltage | 1.5 V max. |
| | | ON/OFF response time | 300 ns max./300 ns max. |
| Dimensions | 12 (W) x 100 (H) x 71 (D) | Isolation method | Digital isolator isolation |
| Insulation resistance | 20 MΩ min. between isolated circuits (at 100 VDC) | Dielectric strength | 510 VAC between isolated circuits for 1 minute at a leakage current of 5 mA max. |
| I/O power supply method | Supply from the NX bus | Current capacity of I/O power supply terminal | IOV: 0.5 A/terminal max., IOG: 0.5 A/terminal max. |
| NX Unit power consumption | 0.50 W max. | I/O current consumption | 30 mA max. |
| Weight | 70 g max. | | |




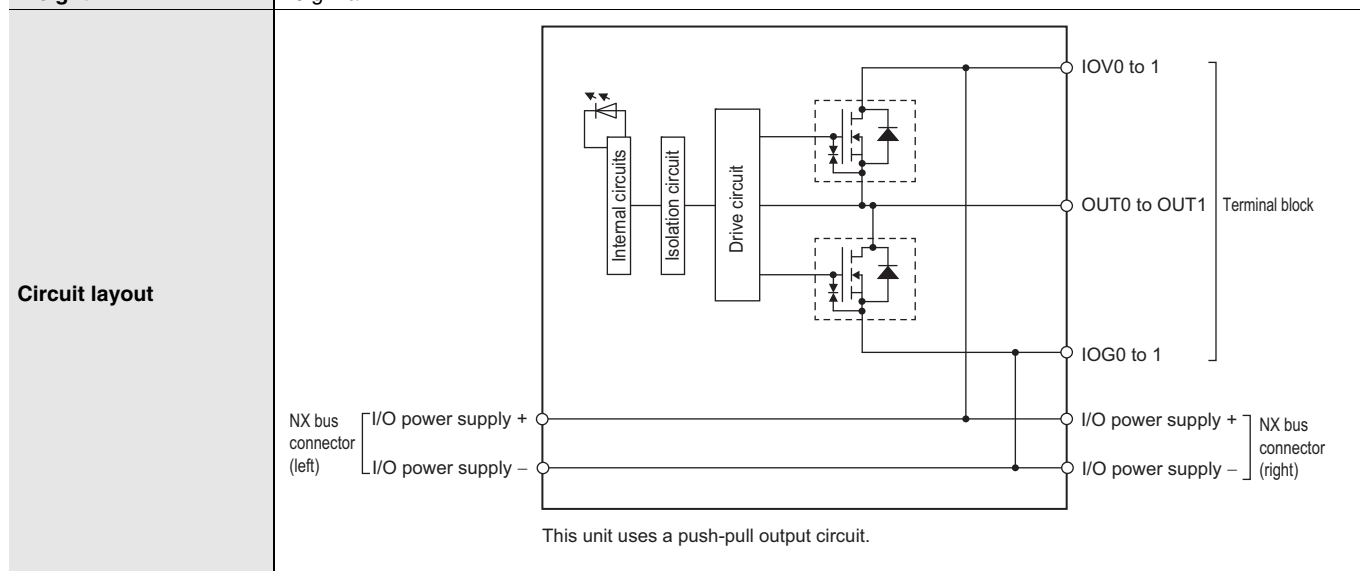
Installation orientation and restrictions
 Installation orientation: Possible in 6 orientations.
 Restrictions: No restrictions



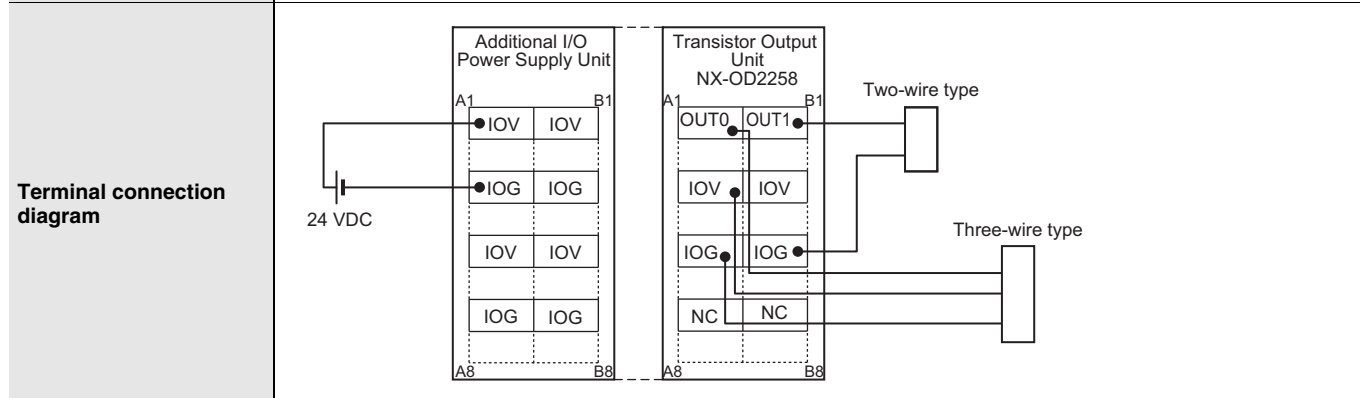
| | | | |
|--|----------------|----------------------------|----------------|
| Disconnection/Short-circuit detection | Not supported. | Protective function | Not supported. |
|--|----------------|----------------------------|----------------|

NX-OD2258

| | | | |
|----------------------------------|---|--|--|
| Unit name | Transistor Output Unit | Model | NX-OD2258 |
| Capacity | 2 points | External connection terminals | Screwless clamping terminal block (8 terminals) |
| I/O refreshing method | Output refreshing with specified time stamp | | |
| Indicators |  | Internal I/O common | PNP |
| | | Rated voltage | 24 VDC |
| | | Operating load voltage range | 15 to 28.8 VDC |
| | | Maximum value of load current | 0.5 A/point, 1 A/NX Unit |
| | | Maximum inrush current | 4.0 A/point, 10 ms max. |
| | | Leakage current | 0.1 mA max. |
| | | Residual voltage | 1.5 V max. |
| | | ON/OFF response time | 300 ns max./300 ns max. |
| Dimensions | 12 (W) x 100 (H) x 71 (D) | Isolation method | Digital isolator isolation |
| Insulation resistance | 20 MΩ min. between isolated circuits (at 100 VDC) | Dielectric strength | 510 VAC between isolated circuits for 1 minute at a leakage current of 5 mA max. |
| I/O power supply method | Supply from the NX bus | Current capacity of I/O power supply terminal | IOV: 0.5 A/terminal max., IOG: 0.5 A/terminal max. |
| NX Unit power consumption | 0.50 W max. | I/O current consumption | 40 mA max. |
| Weight | 70 g max. | | |



Installation orientation and restrictions
 Installation orientation: Possible in 6 orientations.
 Restrictions: No restrictions



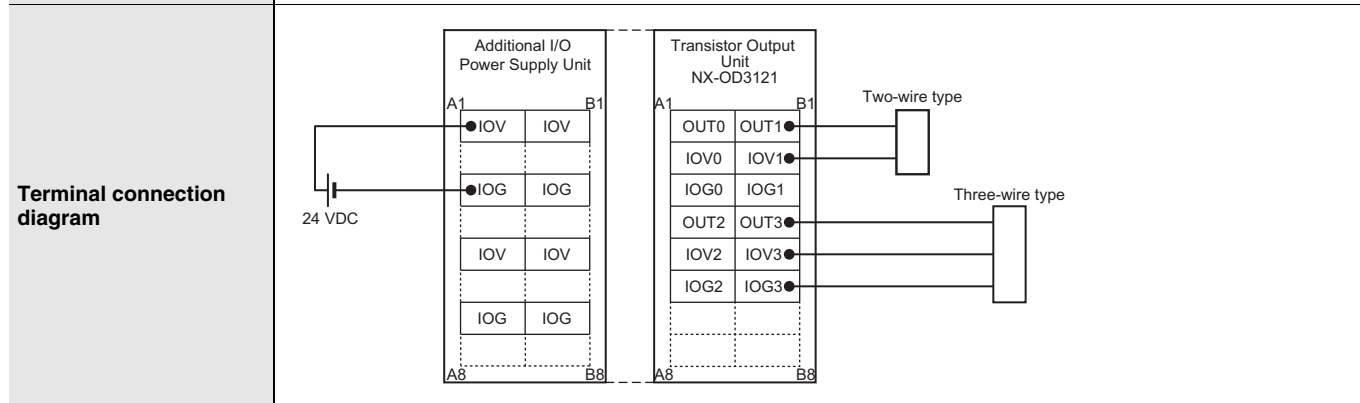
| | | | |
|---|----------------|----------------------------|-------------------------------------|
| Disconnection/ Short-circuit detection | Not supported. | Protective function | With load short-circuit protection. |
|---|----------------|----------------------------|-------------------------------------|

NX-OD3121

| | | | |
|----------------------------------|---|--|--|
| Unit name | Transistor Output Unit | Model | NX-OD3121 |
| Capacity | 4 points | External connection terminals | Screwless clamping terminal block (12 terminals) |
| I/O refreshing method | Selectable Synchronous I/O refreshing or Free-Run refreshing | | |
| Indicators | TS indicator, output indicator  | Internal I/O common | NPN |
| | | Rated voltage | 12 to 24 VDC |
| | | Operating load voltage range | 10.2 to 28.8 VDC |
| | | Maximum value of load current | 0.5 A/point, 2 A/NX Unit |
| | | Maximum inrush current | 4.0 A/point, 10 ms max. |
| | | Leakage current | 0.1 mA max. |
| | | Residual voltage | 1.5 V max. |
| | | ON/OFF response time | 0.1 ms max./0.8 ms max. |
| Dimensions | 12 (W) x 100 (H) x 71 (D) | Isolation method | Photocoupler isolation |
| Insulation resistance | 20 MΩ min. between isolated circuits (at 100 VDC) | Dielectric strength | 510 VAC between isolated circuits for 1 minute at a leakage current of 5 mA max. |
| I/O power supply method | Supply from the NX bus | Current capacity of I/O power supply terminal | IOV: 0.5 A/terminal max., IOG: 0.5 A/terminal max. |
| NX Unit power consumption | 0.55 W max. | I/O current consumption | 10 mA max. |
| Weight | 70 g max. | | |




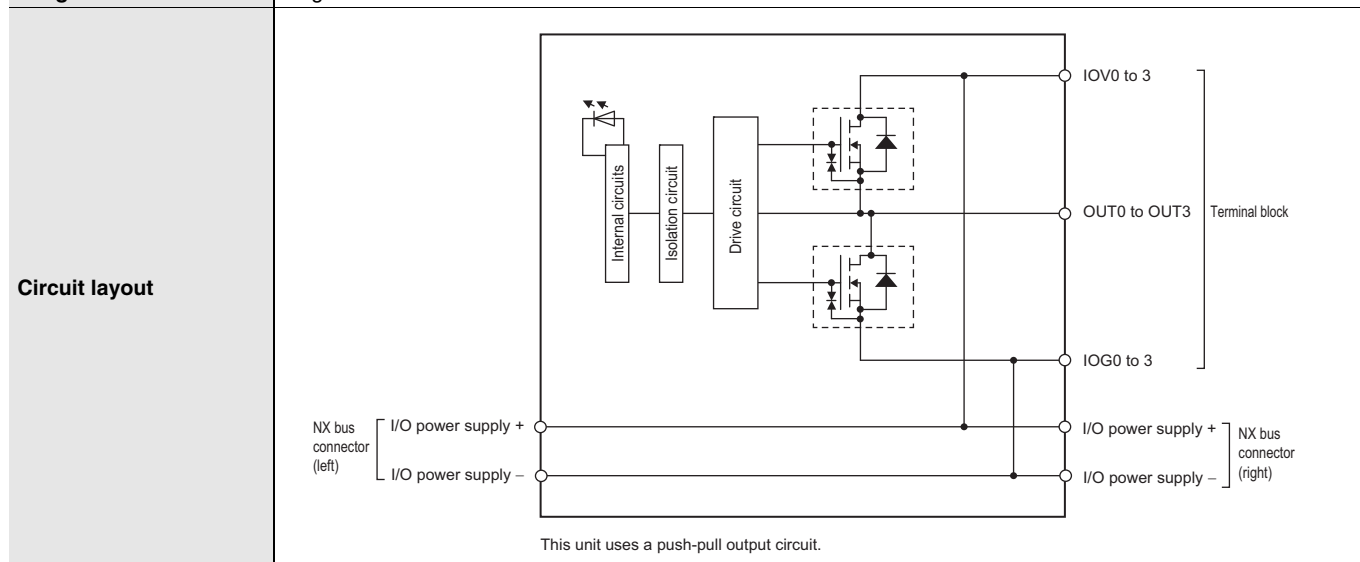
| | |
|--|--|
| Installation orientation and restrictions | Installation orientation: Possible in 6 orientations. Restrictions: No restrictions |
|--|--|



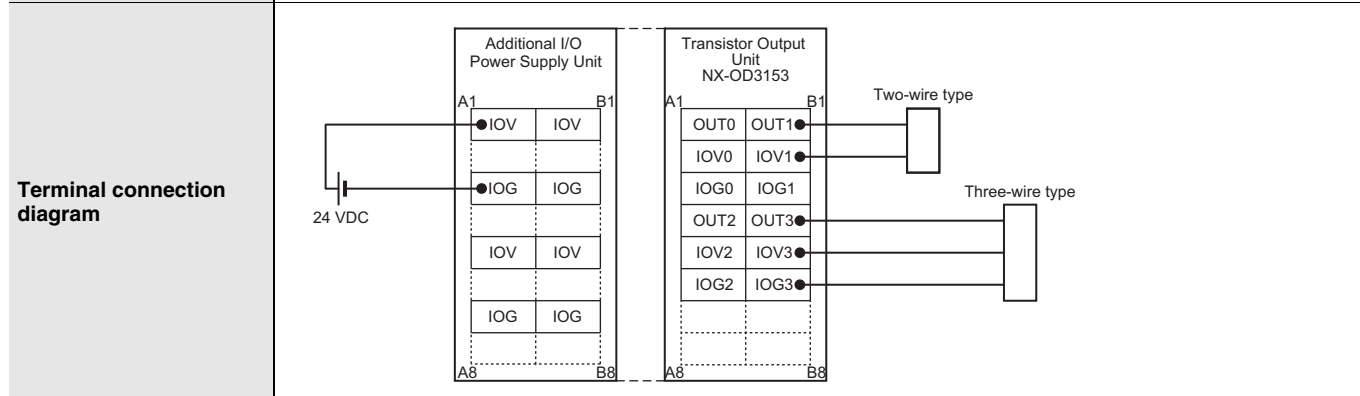
| | | | |
|--|----------------|----------------------------|----------------|
| Disconnection/Short-circuit detection | Not supported. | Protective function | Not supported. |
|--|----------------|----------------------------|----------------|

NX-OD3153

| | | | |
|----------------------------------|---|--|--|
| Unit name | Transistor Output Unit | Model | NX-OD3153 |
| Capacity | 4 points | External connection terminals | Screwless clamping terminal block (12 terminals) |
| I/O refreshing method | Selectable Synchronous I/O refreshing or Free-Run refreshing | | |
| Indicators |  | Internal I/O common | NPN |
| | | Rated voltage | 24 VDC |
| | | Operating load voltage range | 15 to 28.8 VDC |
| | | Maximum value of load current | 0.5 A/point, 2 A/NX Unit |
| | | Maximum inrush current | 4.0 A/point, 10 ms max. |
| | | Leakage current | 0.1 mA max. |
| | | Residual voltage | 1.5 V max. |
| | | ON/OFF response time | 300 ns max./300 ns max. |
| Dimensions | 12 (W) x 100 (H) x 71 (D) | Isolation method | Digital isolator isolation |
| Insulation resistance | 20 MΩ min. between isolated circuits (at 100 VDC) | Dielectric strength | 510 VAC between isolated circuits for 1 minute at a leakage current of 5 mA max. |
| I/O power supply method | Supply from the NX bus | Current capacity of I/O power supply terminal | IOV: 0.5 A/terminal max., IOG: 0.5 A/terminal max. |
| NX Unit power consumption | 0.50 W max. | I/O current consumption | 30 mA max. |
| Weight | 70 g max. | | |




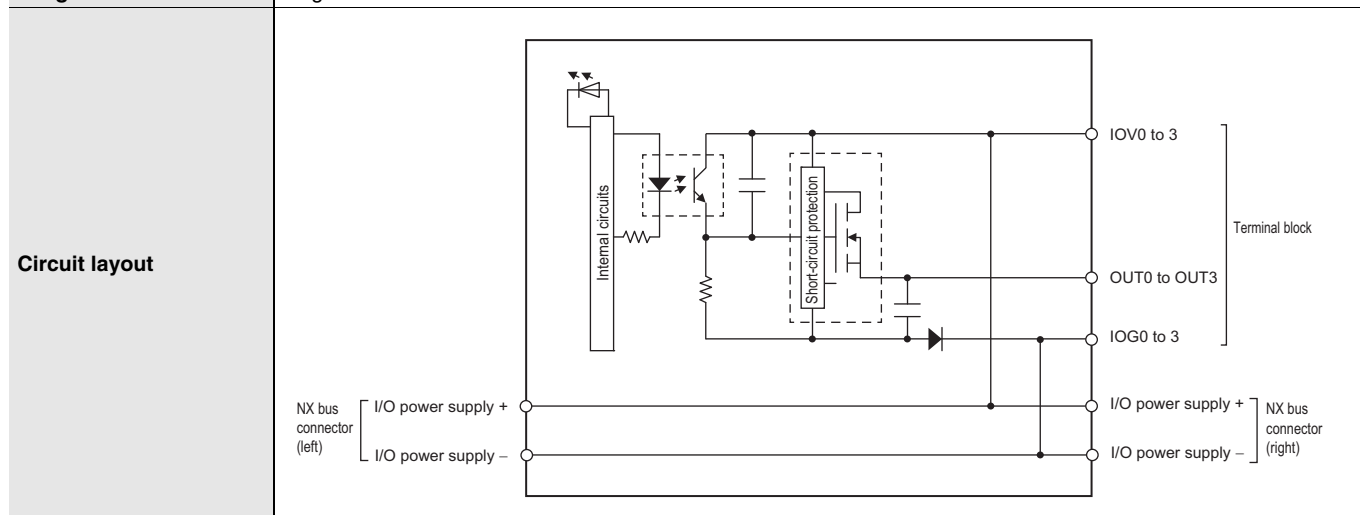
Installation orientation and restrictions
 Installation orientation: Possible in 6 orientations.
 Restrictions: No restrictions



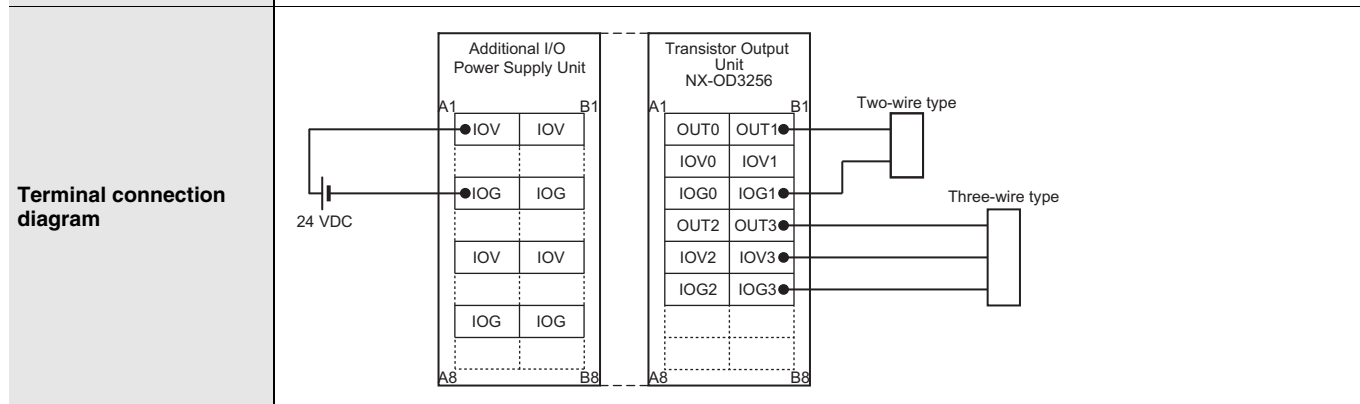
| | | | |
|--|----------------|----------------------------|----------------|
| Disconnection/Short-circuit detection | Not supported. | Protective function | Not supported. |
|--|----------------|----------------------------|----------------|

NX-OD3256

| | | | |
|----------------------------------|---|--|--|
| Unit name | Transistor Output Unit | Model | NX-OD3256 |
| Capacity | 4 points | External connection terminals | Screwless clamping terminal block (12 terminals) |
| I/O refreshing method | Selectable Synchronous I/O refreshing or Free-Run refreshing | | |
| Indicators |  | Internal I/O common | PNP |
| | | Rated voltage | 24 VDC |
| | | Operating load voltage range | 15 to 28.8 VDC |
| | | Maximum value of load current | 0.5 A/point, 2 A/NX Unit |
| | | Maximum inrush current | 4.0 A/point, 10 ms max. |
| | | Leakage current | 0.1 mA max. |
| | | Residual voltage | 1.5 V max. |
| | | ON/OFF response time | 0.5 ms max./1.0 ms max. |
| Dimensions | 12 (W) x 100 (H) x 71 (D) | Isolation method | Photocoupler isolation |
| Insulation resistance | 20 MΩ min. between isolated circuits (at 100 VDC) | Dielectric strength | 510 VAC between isolated circuits for 1 minute at a leakage current of 5 mA max. |
| I/O power supply method | Supply from the NX bus | Current capacity of I/O power supply terminal | IOV: 0.5 A/terminal max., IOG: 0.5 A/terminal max. |
| NX Unit power consumption | 0.55 W max. | I/O current consumption | 20 mA max. |
| Weight | 70 g max. | | |



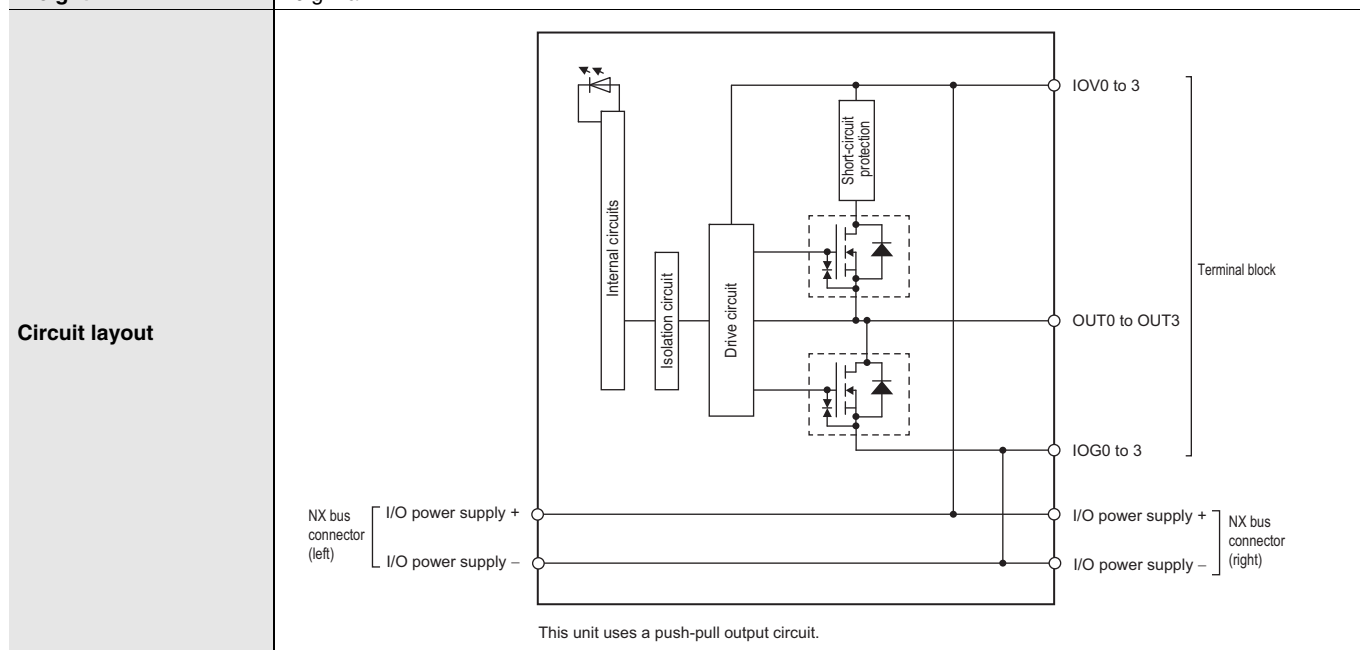
Installation orientation and restrictions
 Installation orientation: Possible in 6 orientations.
 Restrictions: No restrictions



| | | | |
|--|----------------|----------------------------|-------------------------------------|
| Disconnection/Short-circuit detection | Not supported. | Protective function | With load short-circuit protection. |
|--|----------------|----------------------------|-------------------------------------|

NX-OD3257

| | | | |
|----------------------------------|---|--|--|
| Unit name | Transistor Output Unit | Model | NX-OD3257 |
| Capacity | 4 points | External connection terminals | Screwless clamping terminal block (12 terminals) |
| I/O refreshing method | Selectable Synchronous I/O refreshing or Free-Run refreshing | | |
| Indicators |  | Internal I/O common | PNP |
| | | Rated voltage | 24 VDC |
| | | Operating load voltage range | 15 to 28.8 VDC |
| | | Maximum value of load current | 0.5 A/point, 2 A/NX Unit |
| | | Maximum inrush current | 4.0 A/point, 10 ms max. |
| | | Leakage current | 0.1 mA max. |
| | | Residual voltage | 1.5 V max. |
| | | ON/OFF response time | 300 ns max./300 ns max. |
| Dimensions | 12 (W) x 100 (H) x 71 (D) | Isolation method | Digital isolator isolation |
| Insulation resistance | 20 MΩ min. between isolated circuits (at 100 VDC) | Dielectric strength | 510 VAC between isolated circuits for 1 minute at a leakage current of 5 mA max. |
| I/O power supply method | Supply from the NX bus | Current capacity of I/O power supply terminal | IOV: 0.5 A/terminal max., IOG: 0.5 A/terminal max. |
| NX Unit power consumption | 0.50 W max. | I/O current consumption | 40 mA max. |
| Weight | 70 g max. | | |

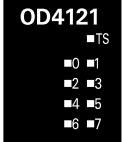


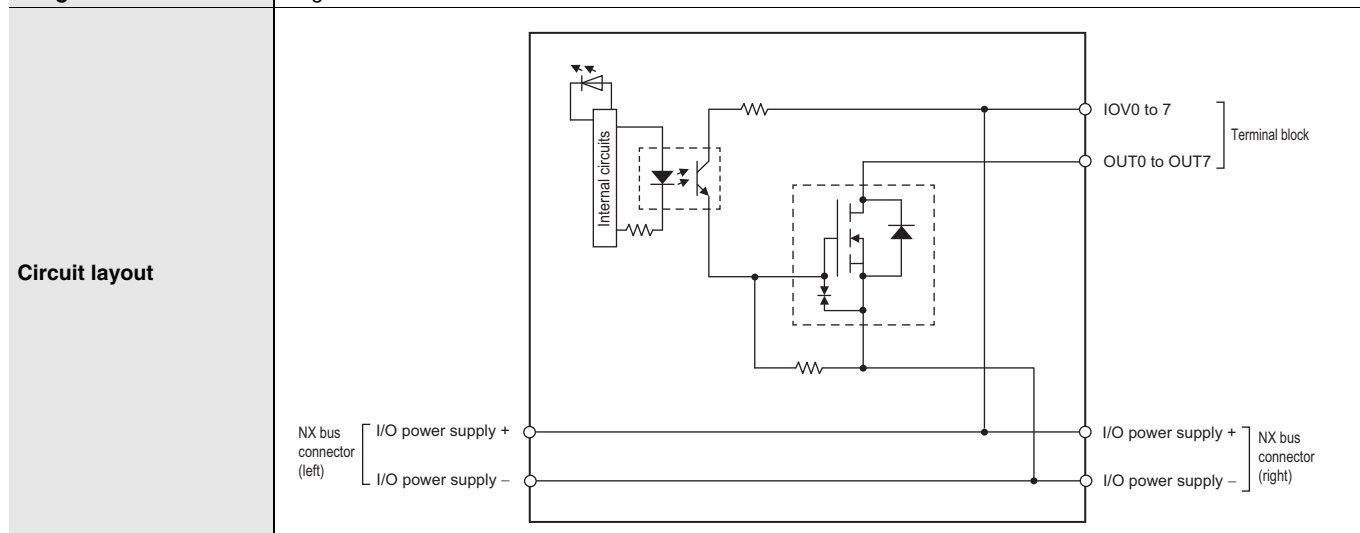
Installation orientation and restrictions
 Installation orientation: Possible in 6 orientations.
 Restrictions: No restrictions



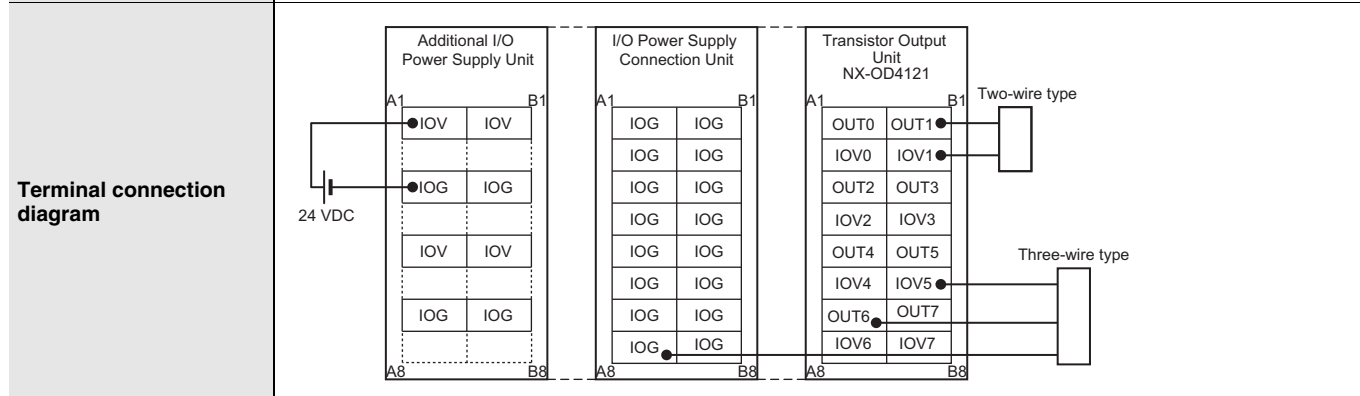
| | | | |
|--|----------------|----------------------------|-------------------------------------|
| Disconnection/Short-circuit detection | Not supported. | Protective function | With load short-circuit protection. |
|--|----------------|----------------------------|-------------------------------------|

NX-OD4121

| | | | |
|----------------------------------|---|--|--|
| Unit name | Transistor Output Unit | Model | NX-OD4121 |
| Capacity | 8 points | External connection terminals | Screwless clamping terminal block (16 terminals) |
| I/O refreshing method | Selectable Synchronous I/O refreshing or Free-Run refreshing | | |
| Indicators |  | Internal I/O common | NPN |
| | | Rated voltage | 12 to 24 VDC |
| | | Operating load voltage range | 10.2 to 28.8 VDC |
| | | Maximum value of load current | 0.5 A/point, 4 A/NX Unit |
| | | Maximum inrush current | 4.0 A/point, 10 ms max. |
| | | Leakage current | 0.1 mA |
| | | Residual voltage | 1.5 V max. |
| | | ON/OFF response time | 0.1 ms max./0.8 ms max. |
| Dimensions | 12 (W) x 100 (H) x 71 (D) | Isolation method | Photocoupler isolation |
| Insulation resistance | 20 MΩ min. between isolated circuits (at 100 VDC) | Dielectric strength | 510 VAC between isolated circuits for 1 minute at a leakage current of 5 mA max. |
| I/O power supply method | Supply from the NX bus | Current capacity of I/O power supply terminal | IOV: 0.5 A/terminal max. |
| NX Unit power consumption | 0.55 W max. | I/O current consumption | 10 mA max. |
| Weight | 70 g max. | | |



Installation orientation and restrictions
 Installation orientation: Possible in 6 orientations.
 Restrictions: No restrictions



| | | | |
|--|----------------|----------------------------|----------------|
| Disconnection/Short-circuit detection | Not supported. | Protective function | Not supported. |
|--|----------------|----------------------------|----------------|

NX-OD4256

| | | | |
|----------------------------------|---|--|--|
| Unit name | Transistor Output Unit | Model | NX-OD4256 |
| Capacity | 8 points | External connection terminals | Screwless clamping terminal block (16 terminals) |
| I/O refreshing method | Selectable Synchronous I/O refreshing or Free-Run refreshing | | |
| Indicators |  | Internal I/O common | PNP |
| | | Rated voltage | 24 VDC |
| | | Operating load voltage range | 15 to 28.8 VDC |
| | | Maximum value of load current | 0.5 A/point, 4 A/NX Unit |
| | | Maximum inrush current | 4.0 A/point, 10 ms max. |
| | | Leakage current | 0.1 mA |
| | | Residual voltage | 1.5 V max. |
| | | ON/OFF response time | 0.5 ms max./1.0 ms max. |
| Dimensions | 12 (W) x 100 (H) x 71 (D) | Isolation method | Photocoupler isolation |
| Insulation resistance | 20 MΩ min. between isolated circuits (at 100 VDC) | Dielectric strength | 510 VAC between isolated circuits for 1 minute at a leakage current of 5 mA max. |
| I/O power supply method | Supply from the NX bus | Current capacity of I/O power supply terminal | I/O: 0.5 A/terminal max. |
| NX Unit power consumption | 0.65 W max. | I/O current consumption | 30 mA max. |
| Weight | 70 g max. | | |

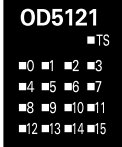


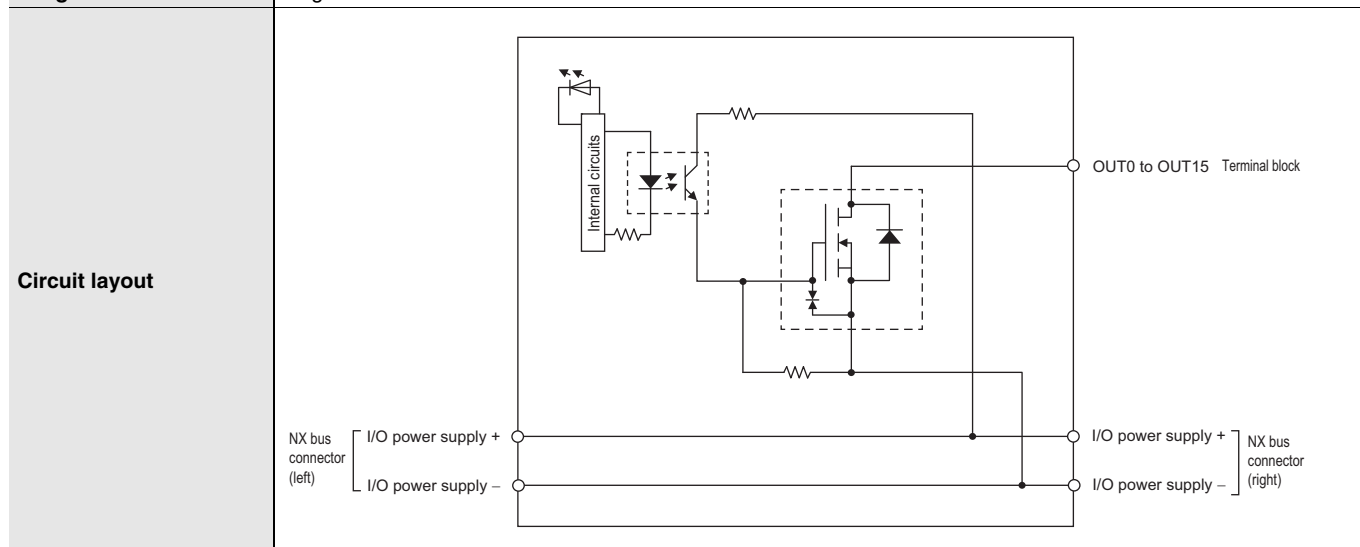
| | |
|--|--|
| Installation orientation and restrictions | Installation orientation: Possible in 6 orientations. Restrictions: No restrictions |
|--|--|



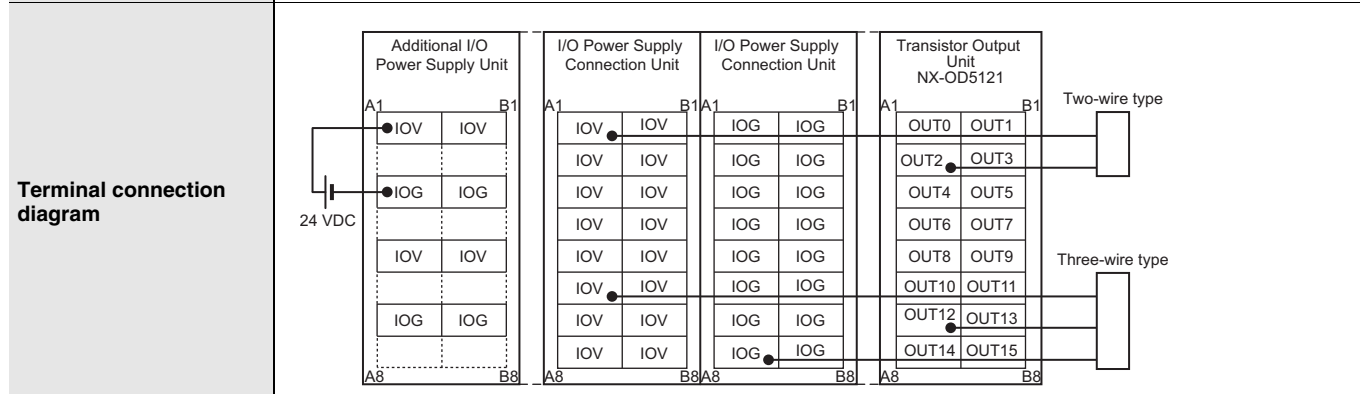
| | | | |
|--|----------------|----------------------------|-------------------------------------|
| Disconnection/Short-circuit detection | Not supported. | Protective function | With load short-circuit protection. |
|--|----------------|----------------------------|-------------------------------------|

NX-OD5121

| | | | |
|----------------------------------|---|--|--|
| Unit name | Transistor Output Unit | Model | NX-OD5121 |
| Capacity | 16 points | External connection terminals | Screwless clamping terminal block (16 terminals) |
| I/O refreshing method | Selectable Synchronous I/O refreshing or Free-Run refreshing | | |
| Indicators |  | Internal I/O common | NPN |
| | | Rated voltage | 12 to 24 VDC |
| | | Operating load voltage range | 10.2 to 28.8 VDC |
| | | Maximum value of load current | 0.5 A/point, 4 A/NX Unit |
| | | Maximum inrush current | 4.0 A/point, 10 ms max. |
| | | Leakage current | 0.1 mA max. |
| | | Residual voltage | 1.5 V max. |
| | | ON/OFF response time | 0.1 ms max./0.8 ms max. |
| Dimensions | 12 (W) x 100 (H) x 71 (D) | Isolation method | Photocoupler isolation |
| Insulation resistance | 20 MΩ min. between isolated circuits (at 100 VDC) | Dielectric strength | 510 VAC between isolated circuits for 1 minute at a leakage current of 5 mA max. |
| I/O power supply method | Supply from the NX bus | Current capacity of I/O power supply terminal | Without I/O power supply terminals |
| NX Unit power consumption | 0.65 W max. | I/O current consumption | 20 mA max. |
| Weight | 70 g max. | | |

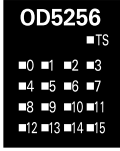


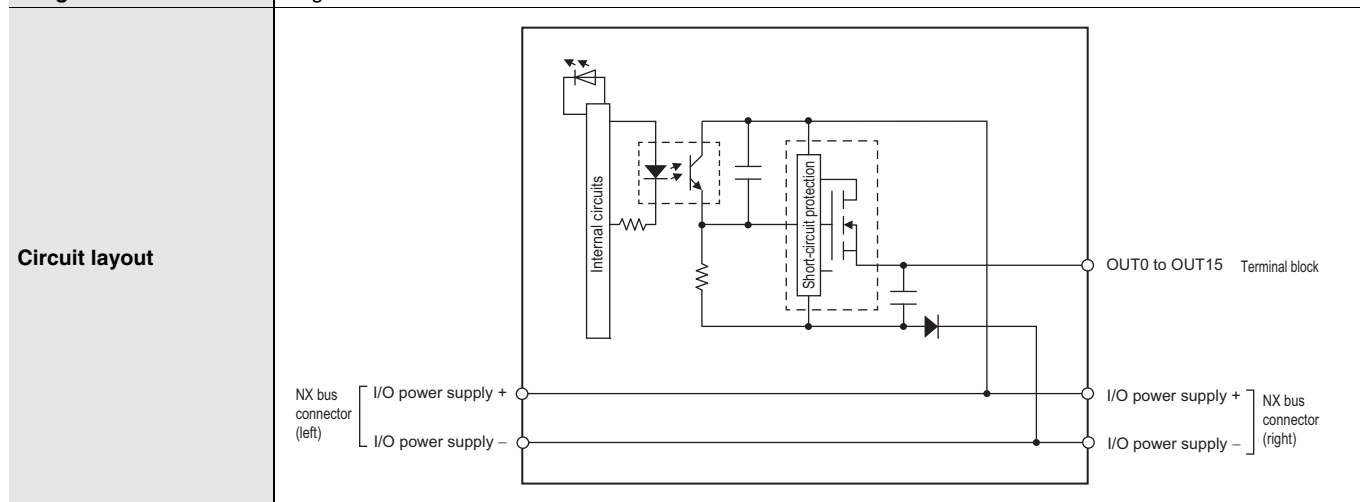
Installation orientation and restrictions
 Installation orientation: Possible in 6 orientations.
 Restrictions: No restrictions



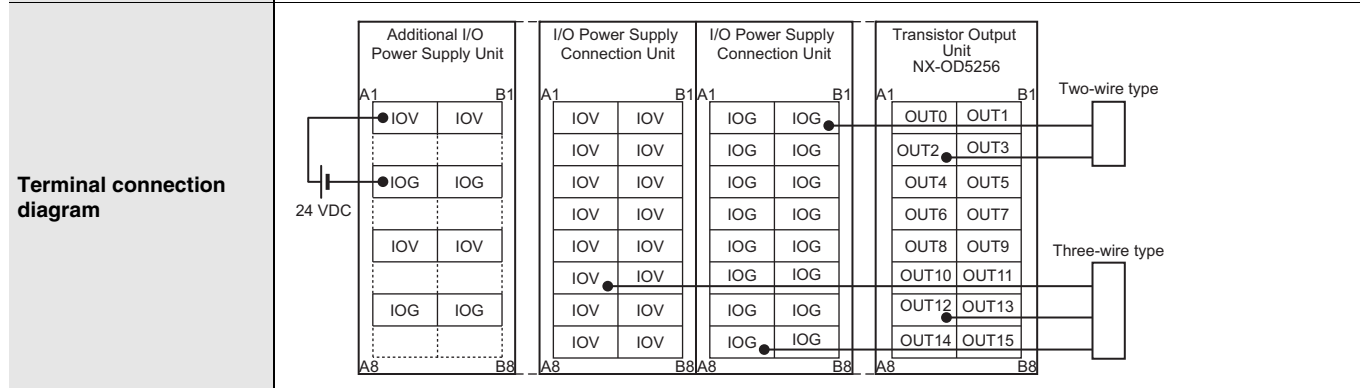
| | | | |
|--|----------------|----------------------------|----------------|
| Disconnection/Short-circuit detection | Not supported. | Protective function | Not supported. |
|--|----------------|----------------------------|----------------|

NX-OD5256

| | | | |
|----------------------------------|---|--|--|
| Unit name | Transistor Output Unit | Model | NX-OD5256 |
| Capacity | 16 points | External connection terminals | Screwless clamping terminal block (16 terminals) |
| I/O refreshing method | Selectable Synchronous I/O refreshing or Free-Run refreshing | | |
| Indicators |  | Internal I/O common | PNP |
| | | Rated voltage | 24 VDC |
| | | Operating load voltage range | 15 to 28.8 VDC |
| | | Maximum value of load current | 0.5 A/point, 4 A/NX Unit |
| | | Maximum inrush current | 4.0 A/point, 10 ms max. |
| | | Leakage current | 0.1 mA max. |
| | | Residual voltage | 1.5 V max. |
| | | ON/OFF response time | 0.5 ms max./1.0 ms max. |
| Dimensions | 12 (W) x 100 (H) x 71 (D) | Isolation method | Photocoupler isolation |
| Insulation resistance | 20 MΩ min. between isolated circuits (at 100 VDC) | Dielectric strength | 510 VAC between isolated circuits for 1 minute at a leakage current of 5 mA max. |
| I/O power supply method | Supply from the NX bus | Current capacity of I/O power supply terminal | Without I/O power supply terminals |
| NX Unit power consumption | 0.70 W max. | I/O current consumption | 40 mA max. |
| Weight | 70 g max. | | |

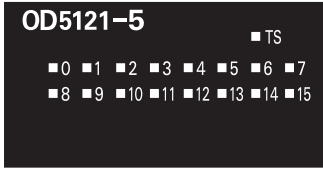


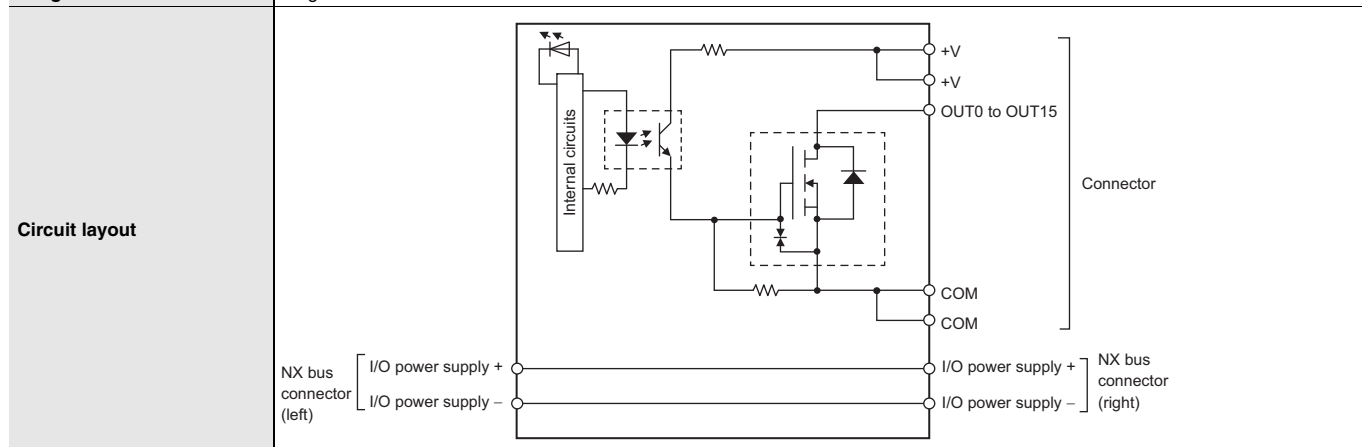
Installation orientation and restrictions
 Installation orientation: Possible in 6 orientations.
 Restrictions: No restrictions



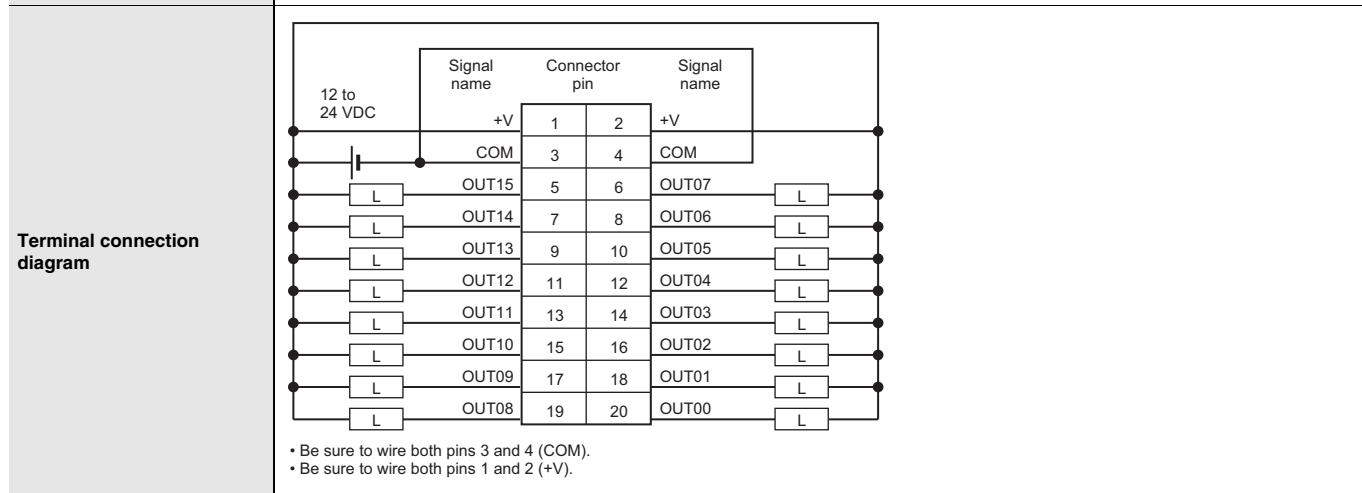
| | | | |
|--|----------------|----------------------------|-------------------------------------|
| Disconnection/Short-circuit detection | Not supported. | Protective function | With load short-circuit protection. |
|--|----------------|----------------------------|-------------------------------------|

● Transistor Output Units (MIL Connector, 30 mm Width)
NX-OD5121-5

| | | | |
|----------------------------------|---|--|--|
| Unit name | Transistor Output Unit | Model | NX-OD5121-5 |
| Number of points | 16 points | External connection terminals | MIL connector (20 terminals) |
| I/O refreshing method | Switching Synchronous I/O refreshing and Free-Run refreshing | | |
| Indicators |  | Internal I/O common | NPN |
| | | Rated voltage | 12 to 24 VDC |
| | | Operating load voltage range | 10.2 to 28.8 VDC |
| | | Maximum value of load current | 0.5 A/point, 2 A/NX Unit |
| | | Maximum inrush current | 4.0 A/point, 10 ms max. |
| | | Leakage current | 0.1 mA max. |
| | | Residual voltage | 1.5 V max. |
| | | ON/OFF response time | 0.1 ms max./0.8 ms max. |
| Dimensions | 30 (W) x 100 (H) x 71 (D) | Isolation method | Photocoupler isolation |
| Insulation resistance | 20 MΩ min. between isolated circuits (at 100 VDC) | Dielectric strength | 510 VAC between isolated circuits for 1 minute at a leakage current of 5 mA max. |
| I/O power supply method | Supply from external source | Current capacity of I/O power supply terminal | Without I/O power supply terminals |
| NX Unit power consumption | 0.60 W max. | Current consumption from I/O power supply | 30 mA max. |
| Weight | 80 g max. | | |

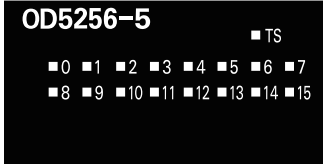


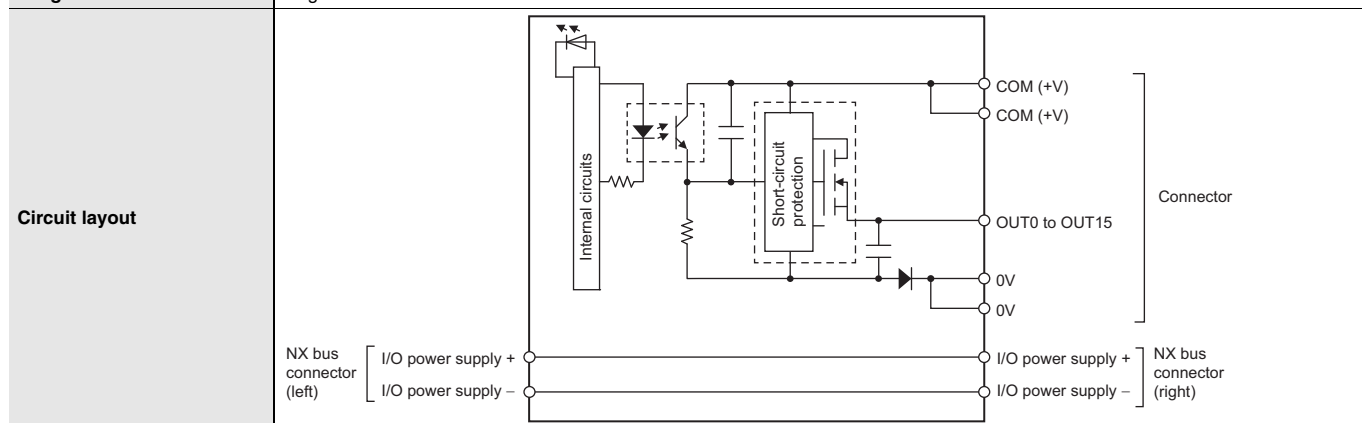
Installation orientation and restrictions
 Installation orientation: Possible in 6 orientations.
 Restrictions: No restrictions



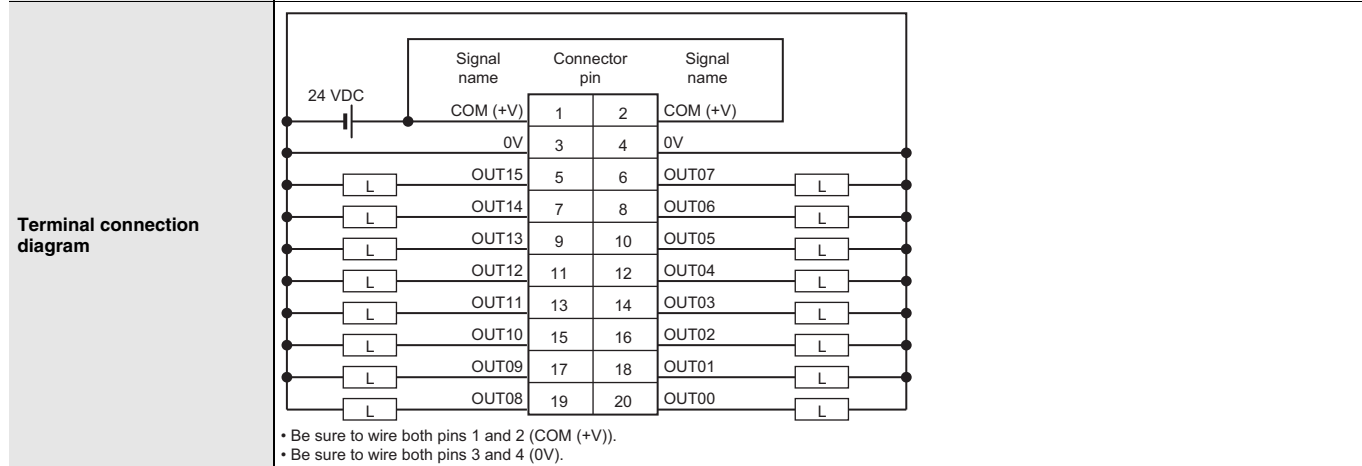
| | | | |
|--|----------------|----------------------------|----------------|
| Disconnection/Short-circuit detection | Not supported. | Protective function | Not supported. |
|--|----------------|----------------------------|----------------|

NX-OD5256-5

| | | | |
|----------------------------------|---|--|--|
| Unit name | Transistor Output Unit | Model | NX-OD5256-5 |
| Number of points | 16 points | External connection terminals | MIL connector (20 terminals) |
| I/O refreshing method | Switching Synchronous I/O refreshing and Free-Run refreshing | | |
| Indicators | TS indicator, output indicator | Internal I/O common | PNP |
| |  | Rated voltage | 24 VDC |
| | | Operating load voltage range | 20.4 to 28.8 VDC |
| | | Maximum value of load current | 0.5 A/point, 2 A/NX Unit |
| | | Maximum inrush current | 4.0 A/point, 10 ms max. |
| | | Leakage current | 0.1 mA max. |
| | | Residual voltage | 1.5 V max. |
| | | ON/OFF response time | 0.5 ms max./1.0 ms max. |
| Dimensions | 30 (W) x 100 (H) x 71 (D) | Isolation method | Photocoupler isolation |
| Insulation resistance | 20 MΩ min. between isolated circuits (at 100 VDC) | Dielectric strength | 510 VAC between isolated circuits for 1 minute at a leakage current of 5 mA max. |
| I/O power supply method | Supplied from external source. | Current capacity of I/O power supply terminal | Without I/O power supply terminals |
| NX Unit power consumption | 0.70 W max. | Current consumption from I/O power supply | 40 mA max. |
| Weight | 85 g max. | | |

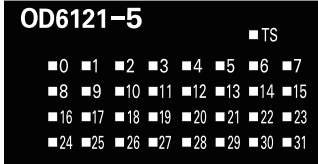
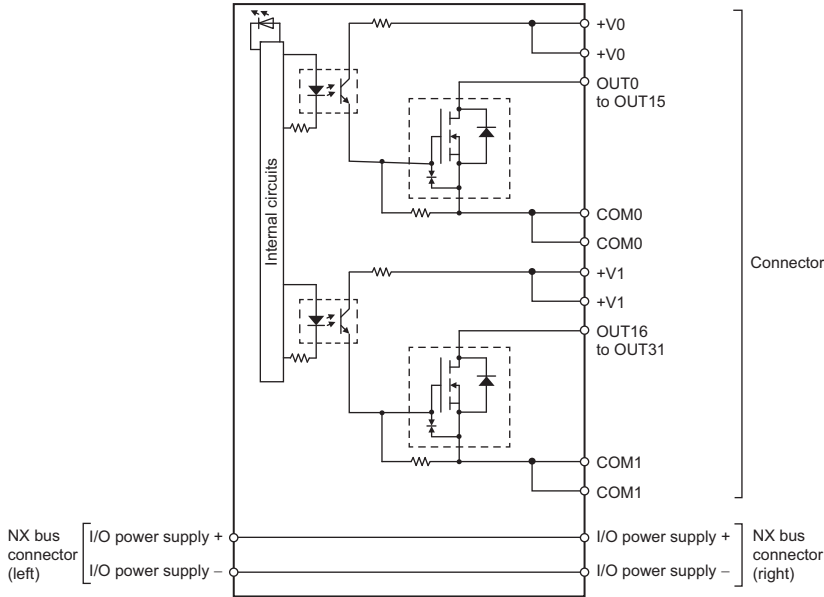


Installation orientation and restrictions
 Installation orientation: Possible in 6 orientations.
 Restrictions: No restrictions



| | | | |
|--|----------------|----------------------------|-------------------------------------|
| Disconnection/Short-circuit detection | Not supported. | Protective function | With load short-circuit protection. |
|--|----------------|----------------------------|-------------------------------------|

NX-OD6121-5

| | | | |
|--|--|--|--|
| Unit name | Transistor Output Unit | Model | NX-OD6121-5 |
| Number of points | 32 points | External connection terminals | MIL connector (40 terminals) |
| I/O refreshing method | Switching Synchronous I/O refreshing and Free-Run refreshing | | |
| Indicators | TS indicator, output indicator | Internal I/O common | NPN |
| |  | Rated voltage | 12 to 24 VDC |
| | | Operating load voltage range | 10.2 to 28.8 VDC |
| | | Maximum value of load current | 0.5 A/point, 2 A/common, 4 A/NX Unit |
| | | Maximum inrush current | 4.0 A/point, 10 ms max. |
| | | Leakage current | 0.1 mA max. |
| | | Residual voltage | 1.5 V max. |
| | | ON/OFF response time | 0.1 ms max./0.8 ms max. |
| Dimensions | 30 (W) x 100 (H) x 71 (D) | Isolation method | Photocoupler isolation |
| Insulation resistance | 20 MΩ min. between isolated circuits (at 100 VDC) | Dielectric strength | 510 VAC between isolated circuits for 1 minute at a leakage current of 5 mA max. |
| I/O power supply method | Supply from external source | Current capacity of I/O power supply terminal | Without I/O power supply terminals |
| NX Unit power consumption | 0.80 W max. | Current consumption from I/O power supply | 50 mA max. |
| Weight | 90 g max. | | |
| Circuit layout |  | | |
| Installation orientation and restrictions | Installation orientation: Possible in 6 orientations. Restrictions: No restrictions | | |

Terminal connection diagram



- Be sure to wire both pins 21 and 22 (+V0).
- Be sure to wire both pins 23 and 24 (COM0).
- Be sure to wire both pins 1 and 2 (+V1).
- Be sure to wire both pins 3 and 4 (COM1).

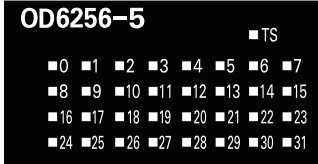
Disconnection/Short-circuit detection

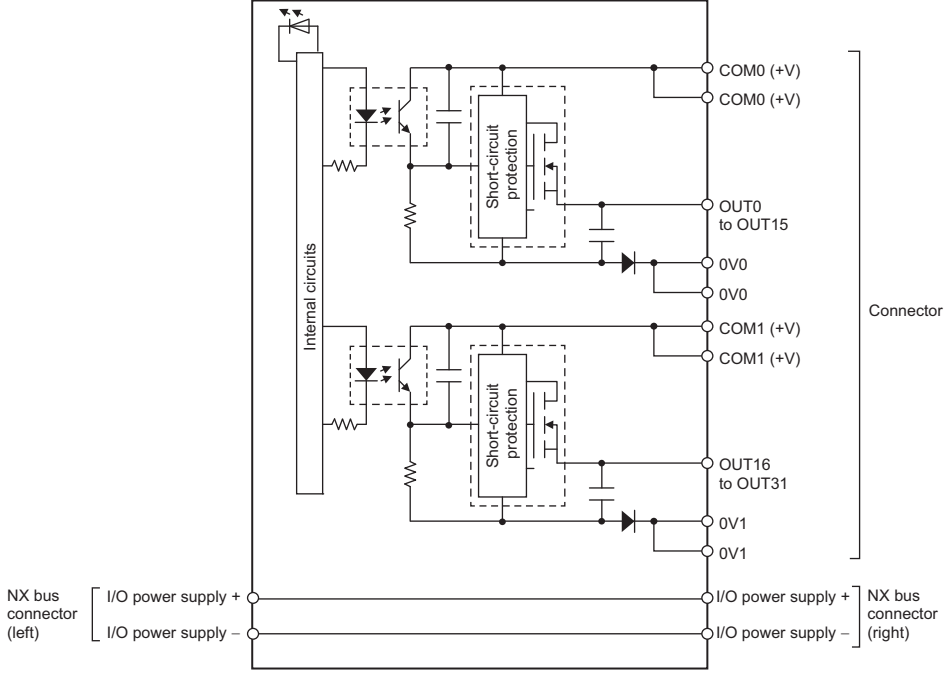
Not supported.

Protective function

Not supported.

NX-OD6256-5

| | | | |
|----------------------------------|---|--|--|
| Unit name | Transistor Output Unit | Model | NX-OD6256-5 |
| Number of points | 32 points | External connection terminals | MIL connector (40 terminals) |
| I/O refreshing method | Switching Synchronous I/O refreshing and Free-Run refreshing | | |
| Indicators | TS indicator, output indicator | Internal I/O common | PNP |
| |  | Rated voltage | 24 VDC |
| | | Operating load voltage range | 20.4 to 28.8 VDC |
| | | Maximum value of load current | 0.5 A/point, 2 A/common, 4 A/NX Unit |
| | | Maximum inrush current | 4.0 A/point, 10 ms max. |
| | | Leakage current | 0.1 mA max. |
| | | Residual voltage | 1.5 V max. |
| | | ON/OFF response time | 0.5 ms max./1.0 ms max. |
| Dimensions | 30 (W) x 100 (H) x 71 (D) | Isolation method | Photocoupler isolation |
| Insulation resistance | 20 MΩ min. between isolated circuits (at 100 VDC) | Dielectric strength | 510 VAC between isolated circuits for 1 minute at a leakage current of 5 mA max. |
| I/O power supply method | Supply from external source | Current capacity of I/O power supply terminal | Without I/O power supply terminals |
| NX Unit power consumption | 1.00 W max. | Current consumption from I/O power supply | 80 mA max. |
| Weight | 95 g max. | | |

| | | | |
|--|---|--|--|
| Circuit layout |  <p>The diagram illustrates the internal circuitry of the NX-OD6256-5. It shows two channels of internal circuits, each with a short-circuit protection section. The output terminals are labeled as COM0 (+V), COM0 (+V), OUT0 to OUT15, 0V0, 0V0, COM1 (+V), COM1 (+V), OUT16 to OUT31, 0V1, and 0V1. Power is supplied from an I/O power supply connector on the left (+ and -) and an NX bus connector on the right (+ and -).</p> | | |
| Installation orientation and restrictions | Installation orientation: Possible in 6 orientations. Restrictions: No restrictions | | |

Terminal connection diagram



- Be sure to wire both pins 21 and 22 (COM0 (+V)).
- Be sure to wire both pins 1 and 2 (COM1 (+V)).
- Be sure to wire both pins 23 and 24 (0V0).
- Be sure to wire both pins 3 and 4 (0V1).


Disconnection/Short-circuit detection

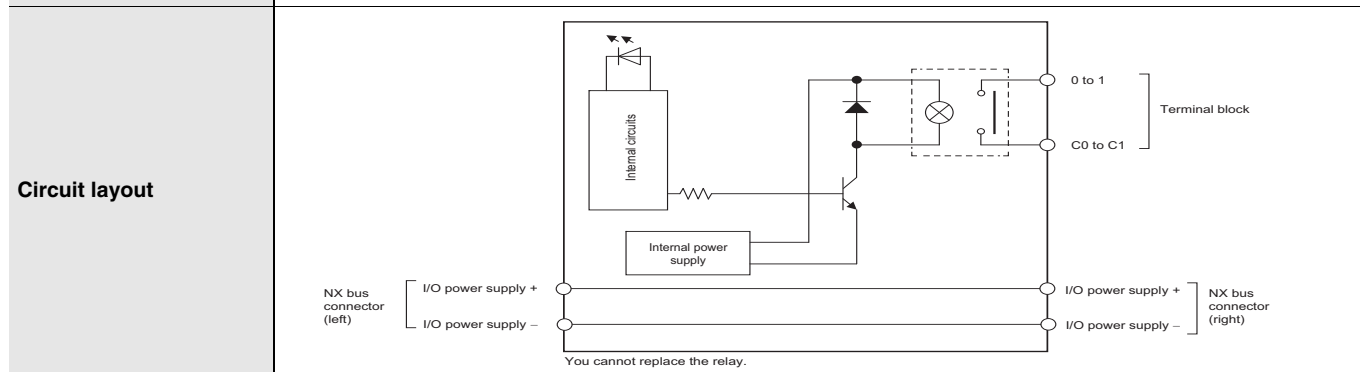
Not supported.

Protective function

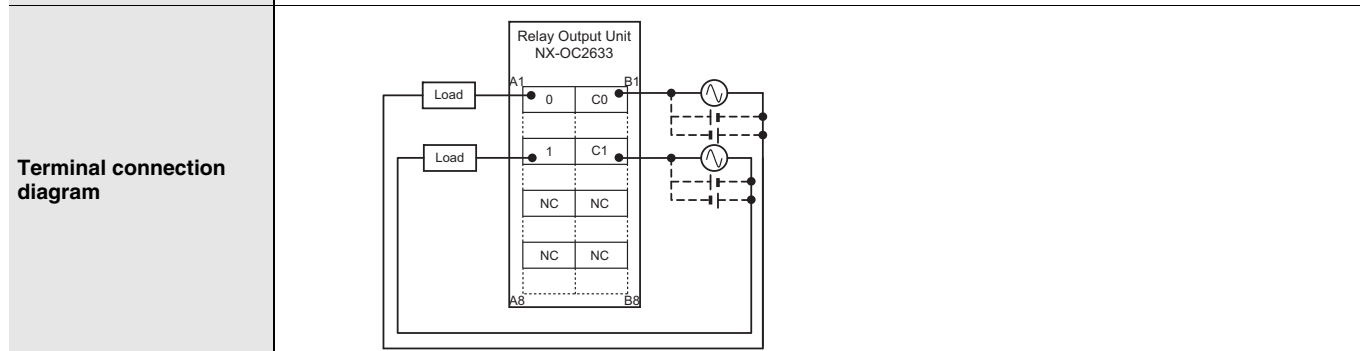
With load short-circuit protection.

● Relay Output Unit (Screwless Clamping Terminal Block 12 mm, Width) NX-OC2633

| | | | |
|----------------------------------|---|--|--|
| Unit name | Relay Output Units | Model | NX-OC2633 |
| Capacity | 2 points, independent contacts | External connection terminals | Screwless clamping terminal block (8 terminals) |
| I/O refreshing method | Free-Run refreshing | | |
| Indicators |  | Relay type | N.O. contact |
| | | Maximum switching capacity | 250 VAC/2 A (cosφ = 1), 250 VAC/2 A (cosφ = 0.4), 24 VDC/2 A, 4 A/Unit |
| | | Minimum switching capacity | 5 VDC, 1 mA |
| Relay service life | Electrical: 100,000 operations* Mechanical: 20,000,000 operations | ON/OFF response time | 15 ms max./15 ms max. |
| Dimensions | 12 (W) x 100 (H) x 71 (D) | Isolation method | Relay isolation |
| Insulation resistance | Between A1/B1 terminals and A3/B3 terminals: 20 MΩ min. (500 VDC) Between the external terminals and internal circuits: 20 MΩ min. (500 VDC) Between the internal circuit and GR terminal: 20 MΩ min. (100 VDC) Between the external terminals and GR terminal: 20 MΩ min. (500 VDC) | Dielectric strength | Between A1/B1 terminals and A3/B3 terminals: 2300 VAC for 1 min at a leakage current of 5 mA max. Between the external terminals and GR terminal: 2300 VAC for 1 min at a leakage current of 5 mA max. Between the external terminals and internal circuits: 2300 VAC for 1 min at a leakage current of 5 mA max. Between the internal circuit and GR terminal: 510 VAC for 1 min at a leakage current of 5 mA max. |
| Vibration resistance | Conforms to IEC60068-2-6. 5 to 8.4 Hz with amplitude of 3.5 mm, 8.4 to 150 Hz, acceleration of 9.8 m/s ² 100 min each in X, Y, and Z directions (10 sweeps of 10 min each = 100 min total) | Shock resistance | 100 m/s ² , 3 times each in X, Y, and Z directions |
| I/O power supply method | Supply from external source | Current capacity of I/O power supply terminal | Without I/O power supply terminals |
| NX Unit power consumption | 0.80 W max. | I/O current consumption | No consumption |
| Weight | 65 g max. | | |



Installation orientation and restrictions
 Installation orientation: Possible in 6 orientations.
 Restrictions: No restrictions



| | | | |
|--|----------------|----------------------------|----------------|
| Disconnection/Short-circuit detection | Not supported. | Protective function | Not supported. |
|--|----------------|----------------------------|----------------|

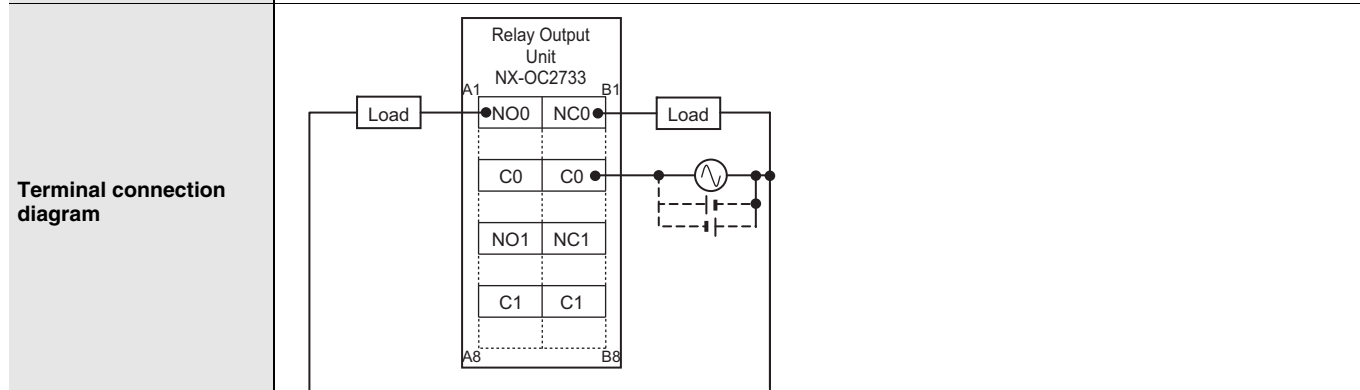
* Electrical service life will vary depending on the current value. Refer to "NX-series Digital I/O Units User's Manual" for details.

● Relay Output Unit
NX-OC2733

| | | | |
|----------------------------------|---|--|--|
| Unit name | Relay Output Unit | Model | NX-OC2733 |
| Number of points | 2 points, independent contacts | External connection terminals | Screwless clamping terminal block (8 terminals) |
| Capacity | Free-Run refreshing | | |
| Indicators | TS indicator, output indicator  | Maximum switching capacity | 250 VAC/2 A ($\cos\phi = 1$), 250 VAC/2 A ($\cos\phi = 0.4$), 24 VDC/2 A, 4 A/NX Unit |
| | | Minimum switching capacity | 5 VDC, 10 mA |
| Relay service life | Electrical: 100,000 operations Mechanical: 20,000,000 operations | ON/OFF response time | 15 ms max./15 ms max. |
| Dimensions | 12 (W) x 100 (H) x 71 (D) | Isolation method | Relay isolation |
| Insulation resistance | Between A1/3, B1/3 terminals and A5/7, B5/7 terminals: 20 M Ω min. (at 500 VDC) Between the external terminals and functional ground terminal: 20 M Ω min. (at 500 VDC) Between the external terminals and internal circuits: 20 M Ω min. (at 500 VDC) Between the internal circuit and the functional ground terminal: 20 M Ω min. (at 100 VDC) | Dielectric strength | Between A1/3, B1/3 terminals and A5/7, B5/7 terminals: 2300 VAC for 1 min at a leakage current of 5 mA max. Between the external terminals and the functional ground terminal: 2300 VAC for 1 min at a leakage current of 5 mA max. Between the external terminals and internal circuits: 2300 VAC for 1 min at a leakage current of 5 mA max. Between the internal circuit and the functional ground terminal: 510 VAC for 1 min at a leakage current of 5 mA max. |
| I/O power supply method | Supply from external source | Current capacity of I/O power supply terminal | Without I/O power supply terminals |
| NX Unit power consumption | 0.95 W max. | Current consumption from I/O power supply | No consumption |
| Weight | 70 g max. | | |



Installation orientation and restrictions
 Installation orientation: Possible in 6 orientations.
 Restrictions: No restrictions



| | | | |
|--|----------------|----------------------------|----------------|
| Disconnection/Short-circuit detection | Not supported. | Protective function | Not supported. |
|--|----------------|----------------------------|----------------|

Version Information

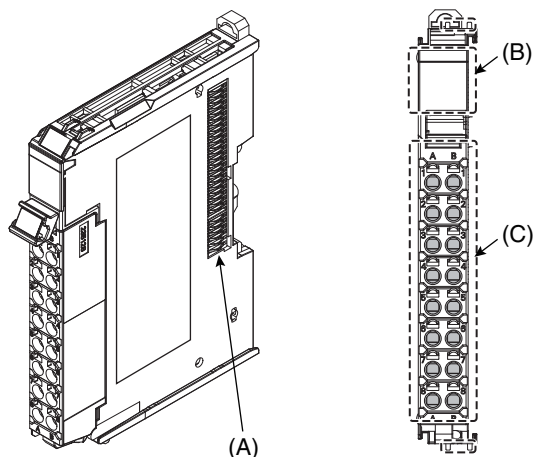
| NX Units | | Corresponding unit versions/versions | | |
|-------------|--------------|---|--|--------------------|
| Model | Unit Version | EtherCAT Coupler Units NX-ECC201/ECC202* | NJ-series CPU Units NJ501-□□□□/NJ301-□□□□ | Sysmac Studio |
| NX-OD2154 | Ver.1.0 | Ver.1.1 or later | Ver.1.06 or later | Ver.1.07 or higher |
| NX-OD2158 | | | | |
| NX-OD3121 | | Ver.1.0 or later | Ver.1.05 or later | Ver.1.06 or higher |
| NX-OD3153 | | | | |
| NX-OD3256 | | | | |
| NX-OD3257 | | | | |
| NX-OD4121 | | | | |
| NX-OD4256 | | | | |
| NX-OD5121 | | | | |
| NX-OD5121-5 | | | | |
| NX-OD5256 | | | | |
| NX-OD5256-5 | | | | |
| NX-OD6121-5 | | | | |
| NX-OD6256-5 | | | | |
| NX-OC2633 | | Ver.1.06 or higher | | |
| NX-OC2733 | | | Ver.1.08 or higher | |

* For the NX-ECC202, there is no unit version of 1.1 or earlier.

External Interface

Screwless Clamping Terminal Block Type

● 12mm Width



| Symbol | Name | Function |
|--------|------------------|--|
| (A) | NX bus connector | This connector is used to connect each Unit. |
| (B) | Indicators | The indicators show the current operating status of the Unit. |
| (C) | Terminal block | The terminal block is used to connect external devices. The number of terminals depends on the type of Unit. |

Terminal Blocks



| Symbol | Name | Function |
|--------|-----------------------------|---|
| (A) | Terminal number indications | Terminal numbers for which A to D indicate the column, and 1 to 8 indicate the line are displayed. The terminal number is a combination of column and line, so A1 to A8 and B1 to B8 are displayed. The terminal number indications are the same regardless of the number of terminals on the terminal block. |
| (B) | Release holes | Insert a flat-blade screwdriver into these holes to connect and remove the wires. |
| (C) | Terminal holes | The wires are inserted into these holes. |

Applicable Terminal Blocks for Each Unit Model

| Unit model | Terminal Blocks | | | | |
|------------|-----------------|------------------|-----------------------------|----------------------|---------------------------|
| | Model | No. of terminals | Terminal number indications | Ground terminal mark | Terminal current capacity |
| NX-OD2□□□ | NX-TBA082 | 8 | A/B | None | 10 A |
| NX-OD3□□□ | NX-TBA122 | 12 | A/B | None | 10 A |
| NX-OD4□□□ | NX-TBA162 | 16 | A/B | None | 10 A |
| NX-OD5□□□ | NX-TBA162 | 16 | A/B | None | 10 A |
| NX-OC2□□□ | NX-TBA082 | 8 | A/B | None | 10 A |

Applicable Wires

Using Ferrules

If you use ferrules, attach the twisted wires to them.

Observe the application instructions for your ferrules for the wire stripping length when attaching ferrules.

Always use one-pin ferrules. Do not use two-pin ferrules.

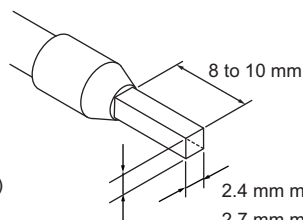
The applicable ferrules, wires, and crimping tool are given in the following table.

| Terminal types | Manufacturer | Ferrule model number | Applicable wire (mm ² (AWG)) | Crimping tool | |
|---------------------------------------|-----------------|----------------------|---|--|--|
| Terminals other than ground terminals | Phoenix Contact | AI0,34-8 | 0.34 (#22) | Phoenix Contact (The figure in parentheses is the applicable wire size.) CRIMPFOX 6 (0.25 to 6 mm ² , AWG24 to 10) | |
| | | AI0,5-8 | 0.5 (#20) | | |
| | | AI0,5-10 | | | |
| | | AI0,75-8 | 0.75 (#18) | | |
| | | AI0,75-10 | | | |
| | | AI1,0-8 | 1.0 (#18) | | |
| | | AI1,0-10 | | | |
| | | AI1,5-8 | 1.5 (#16) | | |
| AI1,5-10 | | | | | |
| Ground terminals | | AI2,5-10 | 2.0 * | | |
| Terminals other than ground terminals | Weidmuller | H0.14/12 | 0.14 (#26) | | Weidmuller (The figure in parentheses is the applicable wire size.) PZ6 Roto (0.14 to 6 mm ² , AWG 26 to 10) |
| | | H0.25/12 | 0.25 (#24) | | |
| | | H0.34/12 | 0.34 (#22) | | |
| | | H0.5/14 | 0.5 (#20) | | |
| | | H0.5/16 | | | |
| | | H0.75/14 | 0.75 (#18) | | |
| | | H0.75/16 | | | |
| | | H1.0/14 | 1.0 (#18) | | |
| | | H1.0/16 | | | |
| | | H1.5/14 | 1.5 (#16) | | |
| | | H1.5/16 | | | |

* Some AWG 14 wires exceed 2.0 mm² and cannot be used in the screwless clamping terminal block.

When you use any ferrules other than those in the above table, crimp them to the twisted wires so that the following processed dimensions are achieved.

Finished Dimensions of Ferrules



1.6 mm max. (except ground terminals)

2.0 mm max. (ground terminals)

2.4 mm max. (except ground terminals)

2.7 mm max. (ground terminals)

Using Twisted Wires/Solid Wires

If you use the twisted wires or the solid wires, the applicable wire range and conductor length (stripping length) are as follows.

| Terminal types | Applicable wires | Conductor length (stripping length) |
|---------------------------------------|--|-------------------------------------|
| Ground terminals | 2.0 mm ² | 9 to 10 mm |
| Terminals other than ground terminals | 0.08 to 1.5 mm ² AWG28 to 16 | 8 to 10 mm |



Conductor length (stripping length)

Units with MIL Connectors

● 1 Connector with 20 Terminals



| Letter | Name | Function |
|--------|------------------|---|
| (A) | NX bus connector | This connector is used to connect each Unit. |
| (B) | Indicators | The indicators show the current operating status of the Unit. |
| (C) | Connectors | The connectors are used to connect to external devices. |

● 1 Connector with 40 Terminals

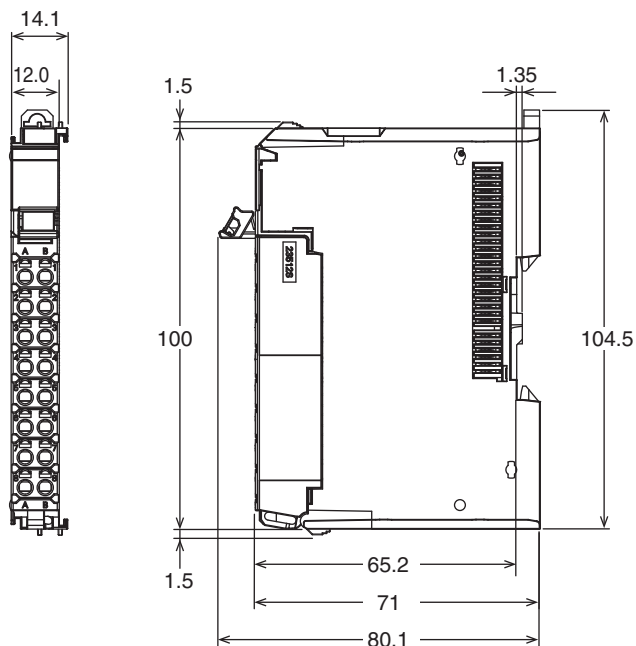


| Letter | Name | Function |
|--------|------------------|---|
| (A) | NX bus connector | This connector is used to connect each Unit. |
| (B) | Indicators | The indicators show the current operating status of the Unit. |
| (C) | Connectors | The connectors are used to connect to external devices. |

Dimensions

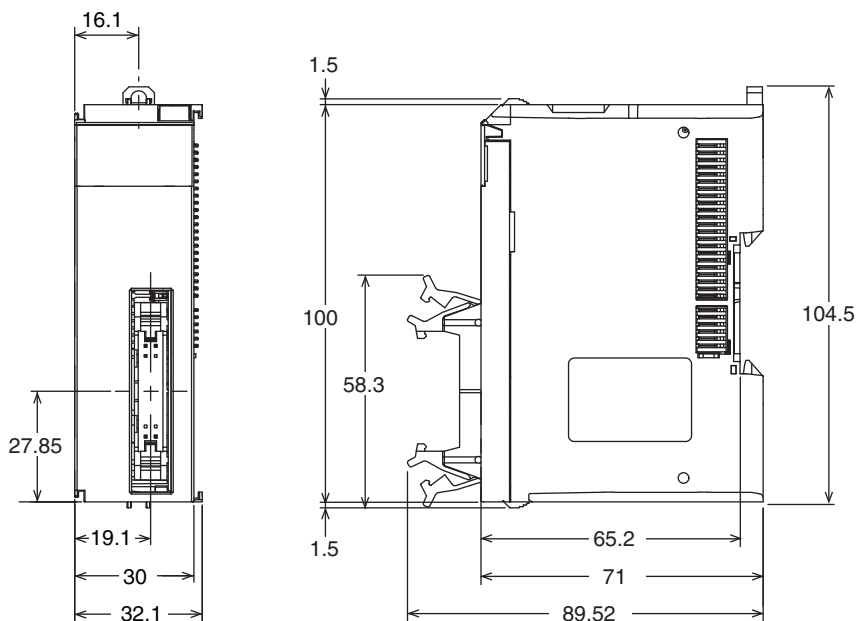
Screwless Clamping Terminal Block Type

- 12 mm Width



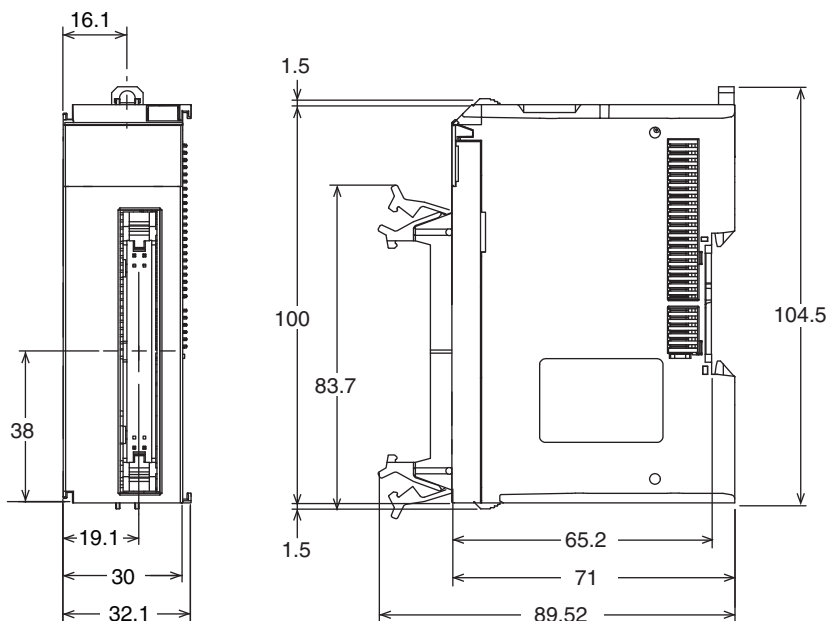
Units with MIL Connectors (1 Connector with 20 terminals)

- 30 mm Width



Units with MIL Connectors (1 Connector with 40 terminals)

● 30 mm Width



Related Manuals

| Cat. No. | Model number | Manual name | Application | Description |
|----------|---|---|---|--|
| W521 | NX-IA□□□□ NX-ID□□□□ NX-OD□□□□ NX-OC□□□□ NX-MD□□□□ | NX-series Digital I/O Units User's Manual | Learning how to use NX-series Digital I/O Units | The hardware, setup methods, and functions of the NX-series Digital I/O Units are described. |

Terms and Conditions Agreement

Read and understand this catalog.

Please read and understand this catalog before purchasing the products. Please consult your OMRON representative if you have any questions or comments.

Warranties.

(a) Exclusive Warranty. Omron's exclusive warranty is that the Products will be free from defects in materials and workmanship for a period of twelve months from the date of sale by Omron (or such other period expressed in writing by Omron). Omron disclaims all other warranties, express or implied.

(b) Limitations. OMRON MAKES NO WARRANTY OR REPRESENTATION, EXPRESS OR IMPLIED, ABOUT NON-INFRINGEMENT, MERCHANTABILITY OR FITNESS FOR A PARTICULAR PURPOSE OF THE PRODUCTS. BUYER ACKNOWLEDGES THAT IT ALONE HAS DETERMINED THAT THE PRODUCTS WILL SUITABLY MEET THE REQUIREMENTS OF THEIR INTENDED USE.

Omron further disclaims all warranties and responsibility of any type for claims or expenses based on infringement by the Products or otherwise of any intellectual property right. (c) Buyer Remedy. Omron's sole obligation hereunder shall be, at Omron's election, to (i) replace (in the form originally shipped with Buyer responsible for labor charges for removal or replacement thereof) the non-complying Product, (ii) repair the non-complying Product, or (iii) repay or credit Buyer an amount equal to the purchase price of the non-complying Product; provided that in no event shall Omron be responsible for warranty, repair, indemnity or any other claims or expenses regarding the Products unless Omron's analysis confirms that the Products were properly handled, stored, installed and maintained and not subject to contamination, abuse, misuse or inappropriate modification. Return of any Products by Buyer must be approved in writing by Omron before shipment. Omron Companies shall not be liable for the suitability or unsuitability or the results from the use of Products in combination with any electrical or electronic components, circuits, system assemblies or any other materials or substances or environments. Any advice, recommendations or information given orally or in writing, are not to be construed as an amendment or addition to the above warranty.

See <http://www.omron.com/global/> or contact your Omron representative for published information.

Limitation on Liability; Etc.

OMRON COMPANIES SHALL NOT BE LIABLE FOR SPECIAL, INDIRECT, INCIDENTAL, OR CONSEQUENTIAL DAMAGES, LOSS OF PROFITS OR PRODUCTION OR COMMERCIAL LOSS IN ANY WAY CONNECTED WITH THE PRODUCTS, WHETHER SUCH CLAIM IS BASED IN CONTRACT, WARRANTY, NEGLIGENCE OR STRICT LIABILITY.

Further, in no event shall liability of Omron Companies exceed the individual price of the Product on which liability is asserted.

Suitability of Use.

Omron Companies shall not be responsible for conformity with any standards, codes or regulations which apply to the combination of the Product in the Buyer's application or use of the Product. At Buyer's request, Omron will provide applicable third party certification documents identifying ratings and limitations of use which apply to the Product. This information by itself is not sufficient for a complete determination of the suitability of the Product in combination with the end product, machine, system, or other application or use. Buyer shall be solely responsible for determining appropriateness of the particular Product with respect to Buyer's application, product or system. Buyer shall take application responsibility in all cases.

NEVER USE THE PRODUCT FOR AN APPLICATION INVOLVING SERIOUS RISK TO LIFE OR PROPERTY OR IN LARGE QUANTITIES WITHOUT ENSURING THAT THE SYSTEM AS A WHOLE HAS BEEN DESIGNED TO ADDRESS THE RISKS, AND THAT THE OMRON PRODUCT(S) IS PROPERLY RATED AND INSTALLED FOR THE INTENDED USE WITHIN THE OVERALL EQUIPMENT OR SYSTEM.

Programmable Products.

Omron Companies shall not be responsible for the user's programming of a programmable Product, or any consequence thereof.

Performance Data.

Data presented in Omron Company websites, catalogs and other materials is provided as a guide for the user in determining suitability and does not constitute a warranty. It may represent the result of Omron's test conditions, and the user must correlate it to actual application requirements. Actual performance is subject to the Omron's Warranty and Limitations of Liability.

Change in Specifications.

Product specifications and accessories may be changed at any time based on improvements and other reasons. It is our practice to change part numbers when published ratings or features are changed, or when significant construction changes are made. However, some specifications of the Product may be changed without any notice. When in doubt, special part numbers may be assigned to fix or establish key specifications for your application. Please consult with your Omron's representative at any time to confirm actual specifications of purchased Product.

Errors and Omissions.

Information presented by Omron Companies has been checked and is believed to be accurate; however, no responsibility is assumed for clerical, typographical or proofreading errors or omissions.

2014.7

In the interest of product improvement, specifications are subject to change without notice.

OMRON Corporation
Industrial Automation Company

<http://www.ia.omron.com/>

(c)Copyright OMRON Corporation 2014 All Right Reserved.

Mouser Electronics

Authorized Distributor

Click to View Pricing, Inventory, Delivery & Lifecycle Information:

Omron:

[NX-OD4121](#) [NX-OD3257](#) [NX-OD3256](#) [NX-OD4256](#) [NX-OD3121](#) [NX-OD5256](#) [NX-OC2633](#) [NX-OD5121](#) [NX-OD3153](#)

Компания «Life Electronics» занимается поставками электронных компонентов импортного и отечественного производства от производителей и со складов крупных дистрибьюторов Европы, Америки и Азии.

С конца 2013 года компания активно расширяет линейку поставок компонентов по направлению коаксиальный кабель, кварцевые генераторы и конденсаторы (керамические, пленочные, электролитические), за счёт заключения дистрибьюторских договоров

Мы предлагаем:

- Конкурентоспособные цены и скидки постоянным клиентам.
- Специальные условия для постоянных клиентов.
- Подбор аналогов.
- Поставку компонентов в любых объемах, удовлетворяющих вашим потребностям.
- Приемлемые сроки поставки, возможна ускоренная поставка.
- Доставку товара в любую точку России и стран СНГ.
- Комплексную поставку.
- Работу по проектам и поставку образцов.
- Формирование склада под заказчика.
- Сертификаты соответствия на поставляемую продукцию (по желанию клиента).
- Тестирование поставляемой продукции.
- Поставку компонентов, требующих военную и космическую приемку.
- Входной контроль качества.
- Наличие сертификата ISO.

В составе нашей компании организован Конструкторский отдел, призванный помогать разработчикам, и инженерам.

Конструкторский отдел помогает осуществить:

- Регистрацию проекта у производителя компонентов.
- Техническую поддержку проекта.
- Защиту от снятия компонента с производства.
- Оценку стоимости проекта по компонентам.
- Изготовление тестовой платы монтаж и пусконаладочные работы.



Тел: +7 (812) 336 43 04 (многоканальный)
Email: org@lifeelectronics.ru