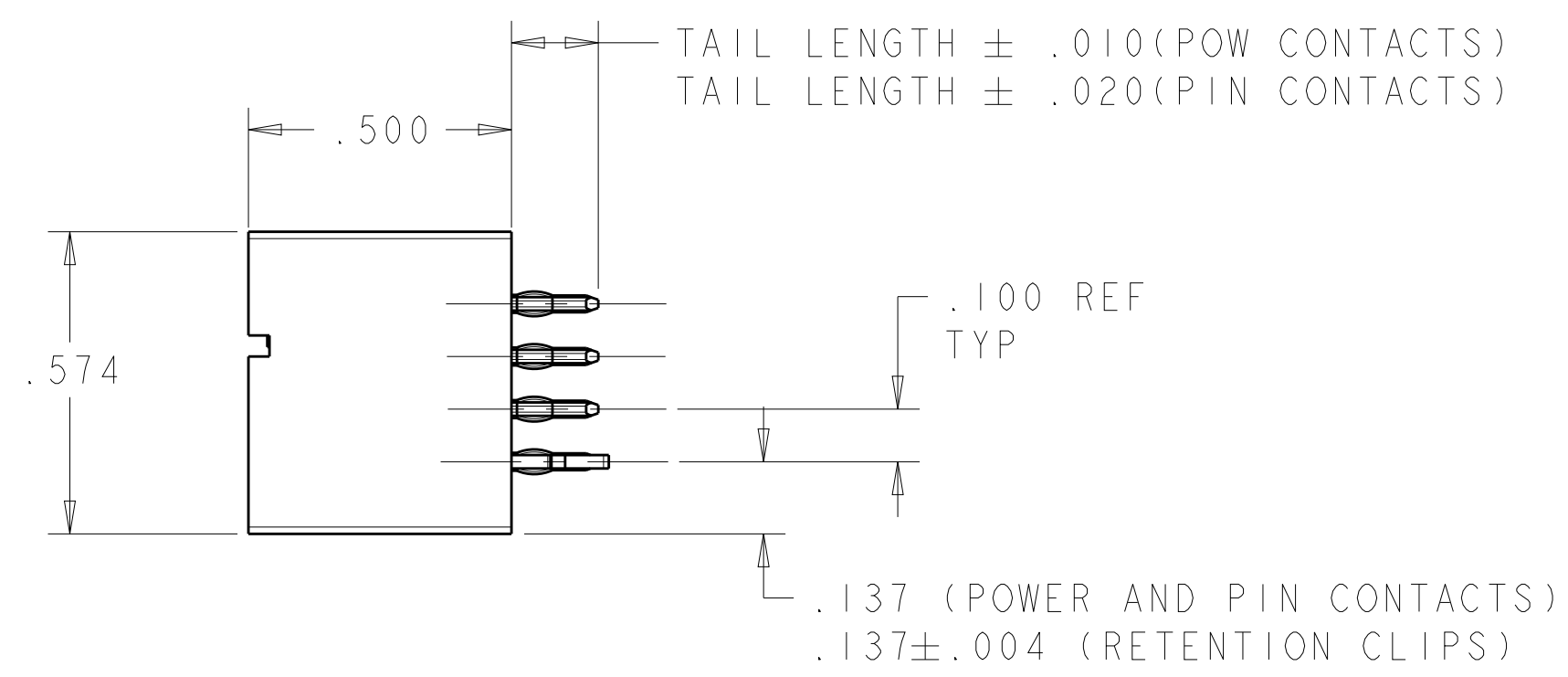
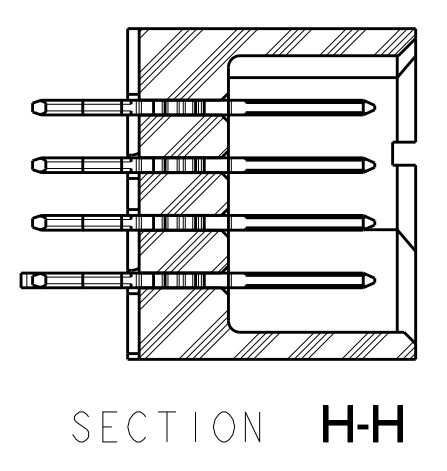
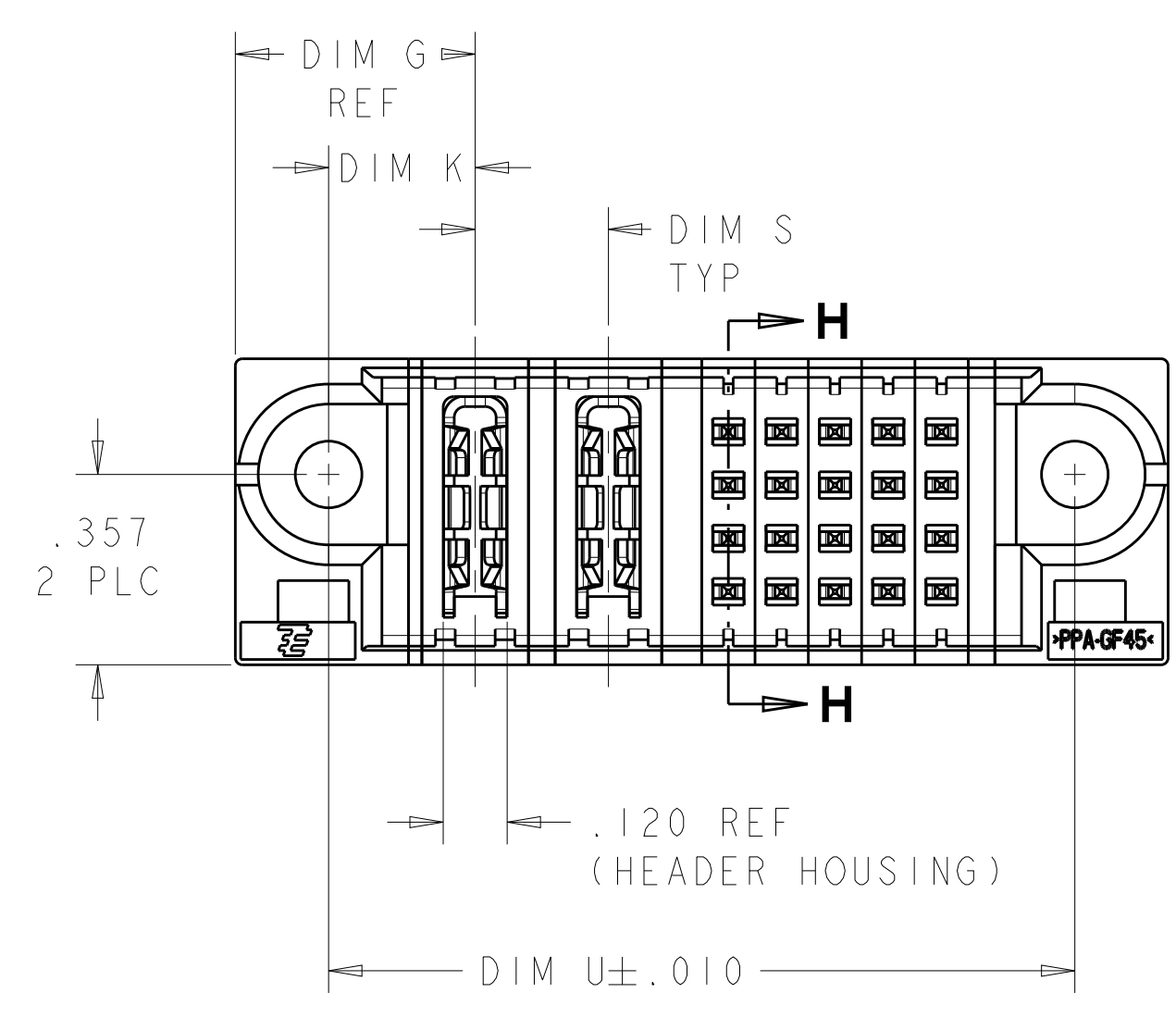
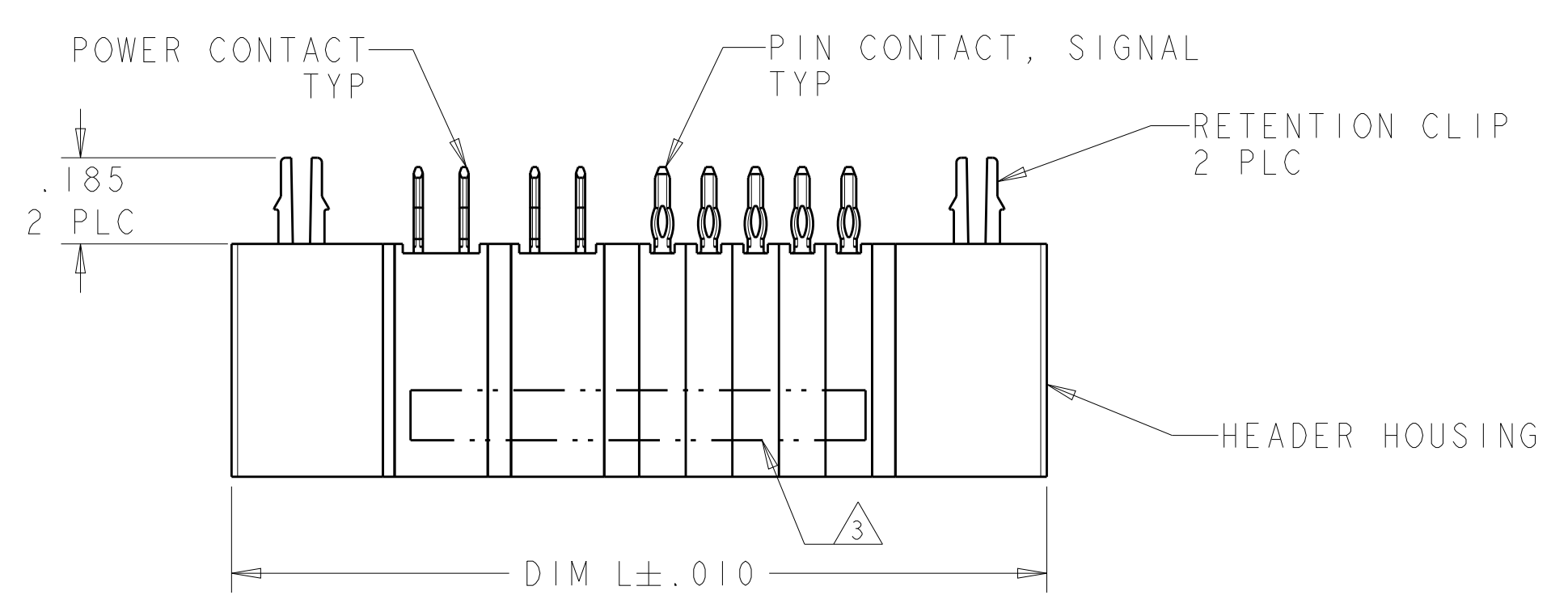
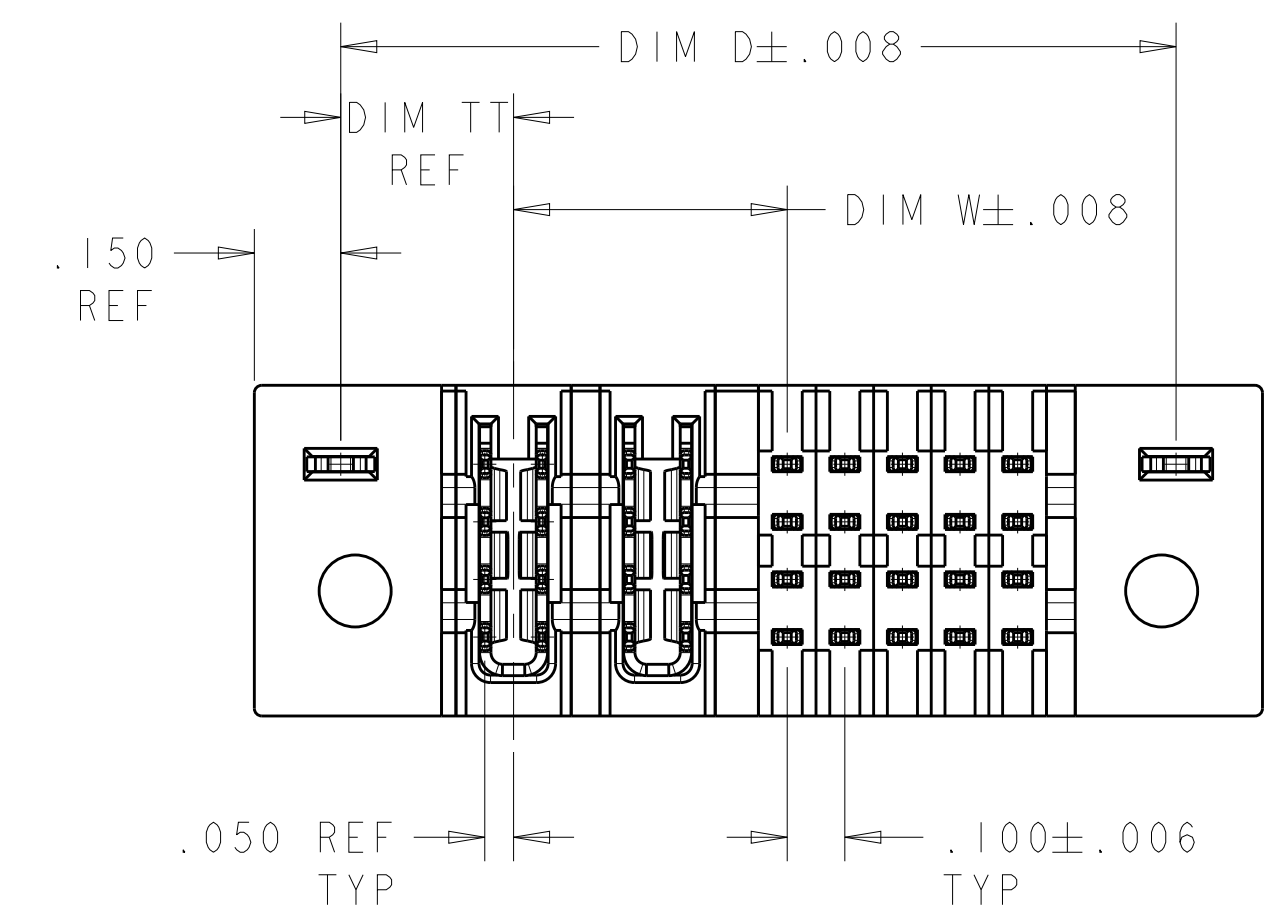


LOC		DIST		REVISIONS			
ES	00	P	LTN	DESCRIPTION	DATE	DWN	APVD
		G1		ADD NEW PART -19 AND -20	14JAN2015	AY	SZ



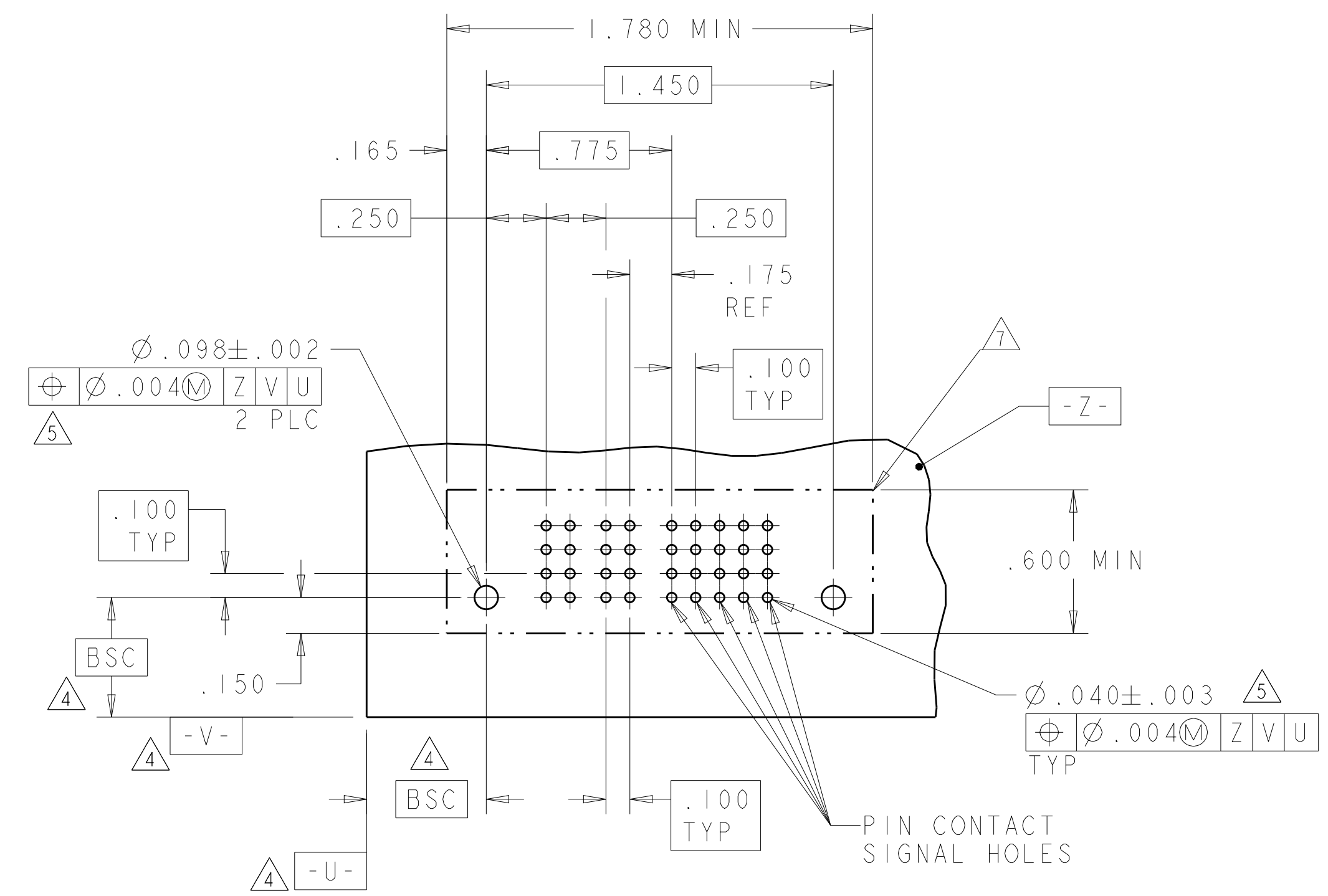
- ⚠️ HEADER HOUSING: THERMO PLASTIC, BLACK, UL94 V-O; CONTACTS AND RETENTION CLIPS: COPPER ALLOY.
- ⚠️ CONTACT PLATING: NOBLE METAL PLATING ON CONTACT FUNCTIONAL AREA OF POWER AND SIGNAL CONTACTS
RETENTION CLIP: .000115 MIN TIN.
- ⚠️ "AMP", PART NUMBER AND DATE CODE MARKED IN THIS AREA. PARTS UNDER 2.50 LONG MAY BE MARKED ON BOTH SIDES.
- ⚠️ DATUM AND BASIC DIMENSIONS ESTABLISHED BY CUSTOMER.
- ⚠️ PCB - ALL HOLE DIAMETERS ARE FINISHED HOLE SIZES.
- 6. A SEATING TOOL IS REQUIRED TO SEAT THE HEADER ON THE P.C. BOARD. PLEASE REFER TO THE 114-13038 APPLICATION SPEC.
- ⚠️ MECHANICAL CONNECTOR KEEP OUT ZONE.
- ⚠️ VARIABLE DIMENSION SHOWED ON TABLE SHEET.

-	-	.700	-	1.050	-	-	.750	NO	16S	2-6600313-0
.300	.925	1.500	.250	1.850	.275	.450	1.550	NO	4P + 8S	1-6600313-9
-	.425	3.100	.250	3.450	.275	.450	-	NO	2P + 92S	1-6600313-8
-	2.150	3.225	⚠️	3.575	.350	.525	-	NO	3ACP + 6P + 24S	1-6600313-7
.300	.925	1.800	.250	2.150	.275	.450	1.850	NO	4P + 20S	1-6600313-6
.300	.425	1.200	.250	1.550	.275	.450	1.250	YES	2P + 16S	1-6600313-5
.300	2.425	3.800	.250	4.150	.275	.450	3.850	YES	10P + 40S	1-6600313-4
.300	.975	1.650	.250	2.000	.275	.450	1.700	YES	4P + 12S	1-6600313-3
-	-	.600	-	.950	-	-	.650	YES	8S	1-6600313-2
.325	2.600	3.200	.300	3.550	.300	.475	3.250	YES	9ACP + 8S	1-6600313-1
.300	.925	1.500	.250	1.850	.275	.450	1.550	YES	4P + 8S	1-6600313-0
.275	1.800	2.400	.200	2.750	.250	.425	2.450	YES	9HDP + 8S	6600313-9
.300	1.375	1.850	.200	2.200	.275	.450	1.900	YES	7HDP + 4S	6600313-8
.325	1.825	2.825	⚠️	3.175	.300	.475	2.875	YES	3ACP + 4P + 24S	6600313-6
.325	1.500	2.250	.250	2.600	.300	.475	2.300	YES	6P + 12S	6600313-3
.300	.475	1.400	.250	1.750	.275	.450	1.450	YES	2P + 20S	6600313-2
DIM "TT"	DIM "W"	DIM "U"	DIM "S"	DIM "L"	DIM "K"	DIM "G"	DIM "D"	RETENTION CLIP	DESCRIPTION	PART NUMBER

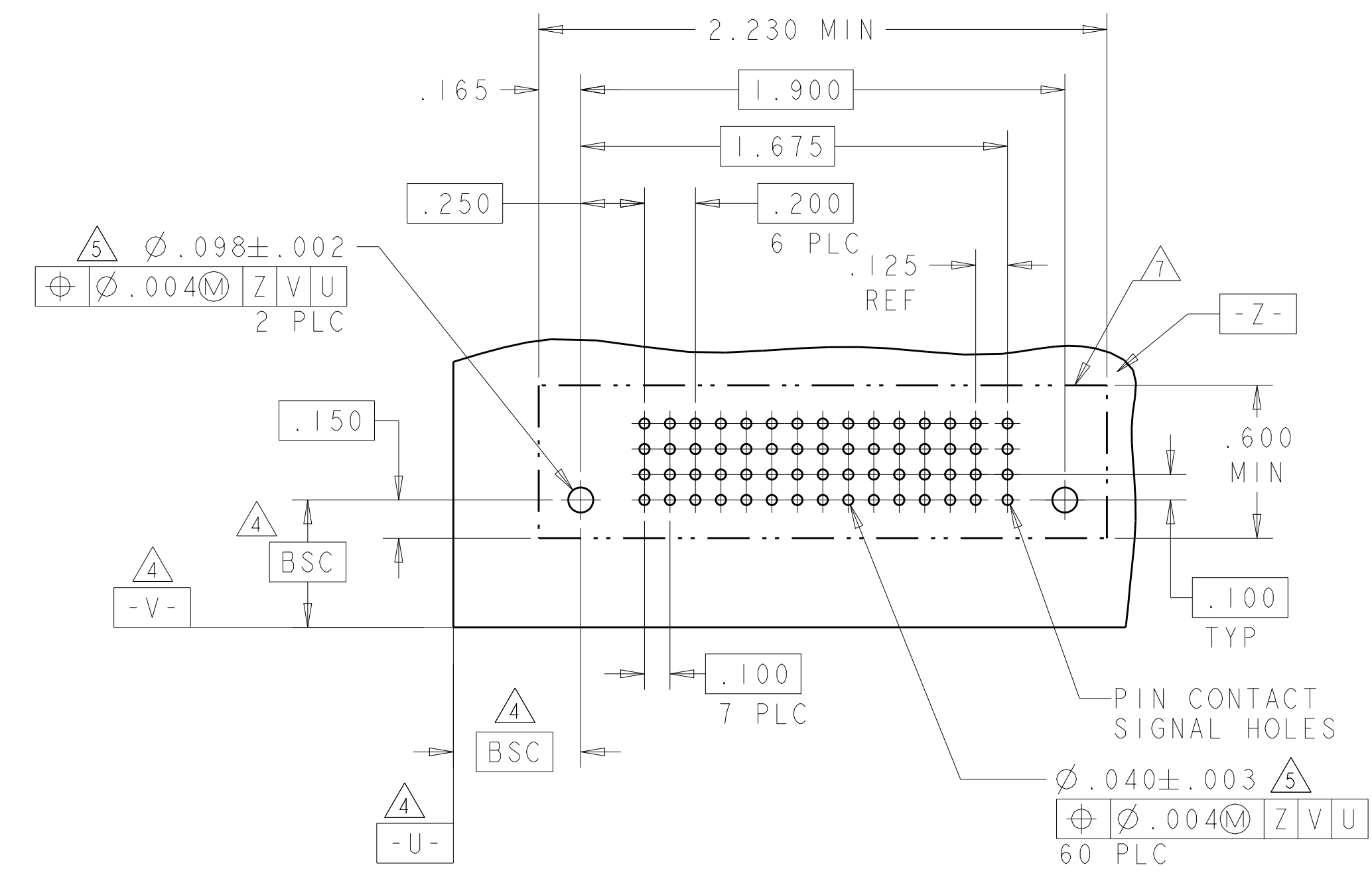
DIMENSIONS: INCH 		TOLERANCES UNLESS OTHERWISE SPECIFIED: 0 PLC ±.1 2 PLC ±.05 3 PLC ±.005 4 PLC ±. ANGLES ±. FINISH		DWN J. McCLINTON 060CT05 CHK D. TROUT 060CT05 APVD P. MLYNE 060CT05 PRODUCT SPEC 108-1973 APPLICATION SPEC 114-13038 WEIGHT CUSTOMER DRAWING		Tyco Electronics Corporation Shanghai, P.R. China. 200233 NAME VERTICAL HEADER ASSEMBLY, W/GUIDES PRESS FIT, TYPE PS MULTI-BEAM XL SIZE CAGE CODE DRAWING NO A100779C=6600313 SCALE 3:1 SHEET 1 OF 7 REV G1	
-------------------------	--	---	--	--	--	--	--

PART NUMBER	ROWS	POWER		SIGNAL					HD
		P1	P2	1	2	3	4	5	
6600313-2	D	VM	VM	EV	EV	EV	EV	EV	HD
	C			EV	EV	EV	EV		
	B			EV	EV	EV	EV		
	A			EV	EV	EV	EV		
2P+20S		HD							HD

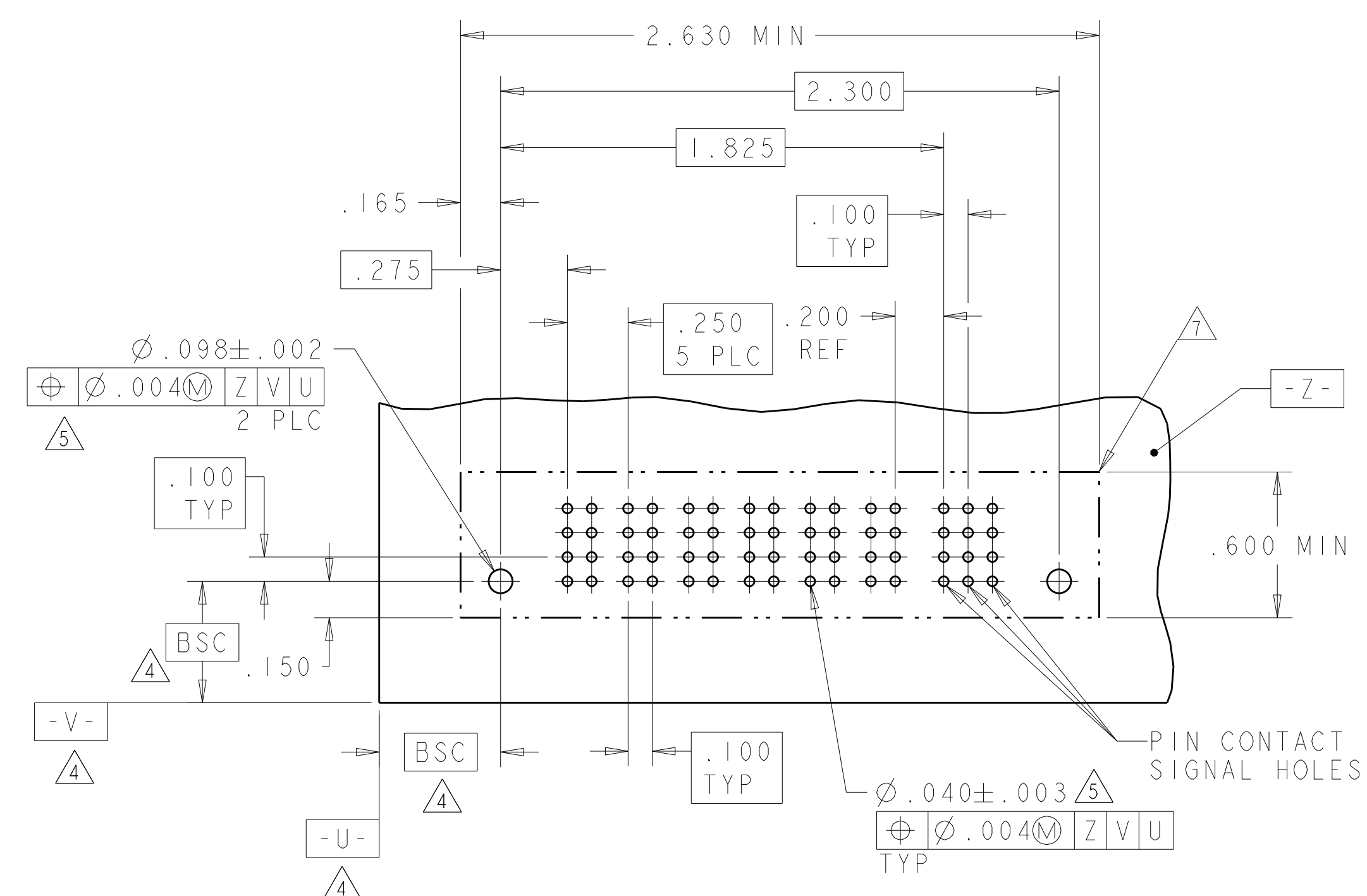
PART NUMBER	ROWS	POWER							S	HD	
		P1	P2	P3	P4	P5	P6	P7	I		
6600313-8	D	VM	VM	VM	VM	VM	VM	VM	EV	HD	
	C								EV		
	B								EV		
	A								ES		
7HDP+4S		HD									HD



RECOMMENDED PCB LAYOUT 6600313-2
 SCALE 2:1



PART NUMBER	ROWS	POWER						SIGNAL			HD
		P1	P2	P3	P4	P5	P6	1	2	3	
6600313-3	D	VM	VM	VM	VM	VM	VM	EV	EV	EV	HD
	C							EV	EV	EV	
	B							EV	EV	EV	
	A							EV	EV	EV	
6P+12S		HD								HD	



RECOMMENDED PCB LAYOUT 6600313-3
 SCALE 2:1

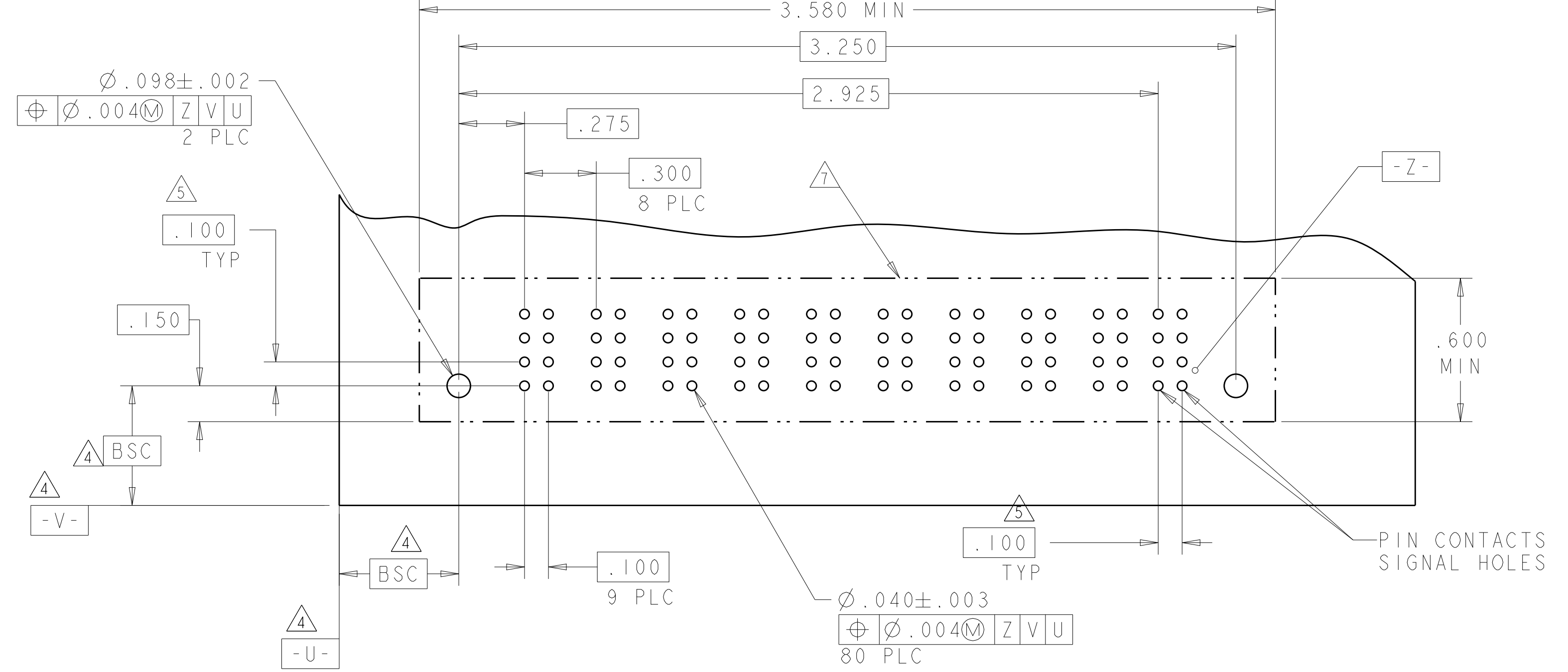
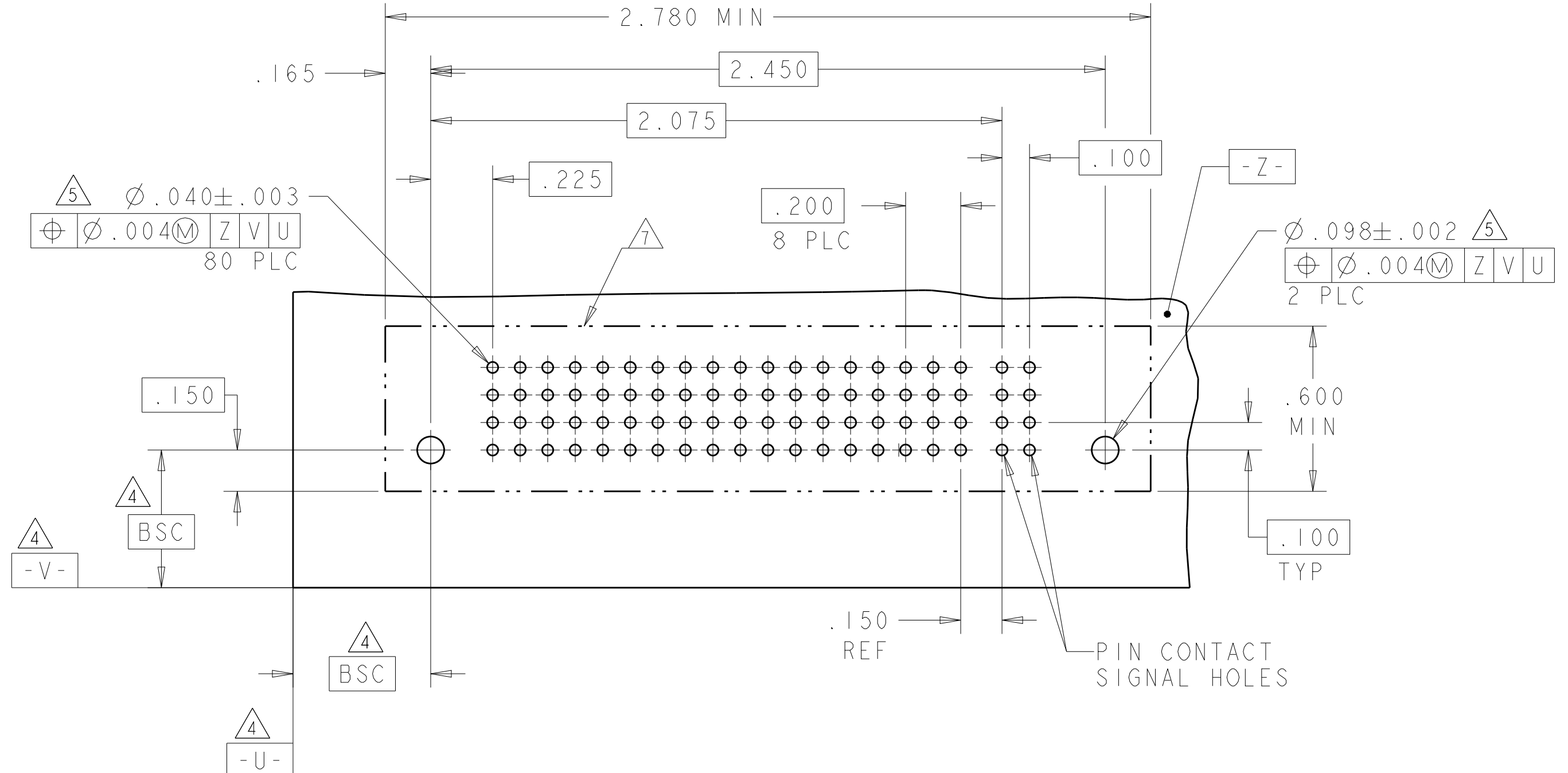
-	RETENTION CLIP	HD
MLBF	SIGNAL CONTACT, .165 TAIL LENGTH, PRESS FIT.	ES
STANDARD	SIGNAL CONTACT, .165 TAIL LENGTH, PRESS FIT.	EV
-	POWER CONTACT, .165 TAIL LENGTH, PRESS FIT.	VM
MATING SEQUENCE	DESCRIPTION	IDENTIFIER

DIMENSIONS: INCH 		TOLERANCES UNLESS OTHERWISE SPECIFIED: 0 PLC ± 1 PLC ±0.1 2 PLC ± 3 PLC ±0.005 4 PLC ± ANGLES ± FINISH		DWN J. McCLINTON 06OCT05 CHK D. TROUT 06OCT05 APVD P. MLYNE 06OCT05 PRODUCT SPEC 108-1973 APPLICATION SPEC 114-13038 WEIGHT CUSTOMER DRAWING		Tyco Electronics Corporation Shanghai, P.R. China. 200233 NAME VERTICAL HEADER ASSEMBLY, W/GUIDES PRESS FIT, TYPE PS MULTI-BEAM XL SIZE CAGE CODE DRAWING NO. RESTRICTED TO A100779C=6600313 SCALE 3:1 SHEET 2 OF 7 REV G1	
-------------------------	--	---	--	--	--	--	--

LOC	DIST	REV	DATE	BY	APP'D
ES	00				

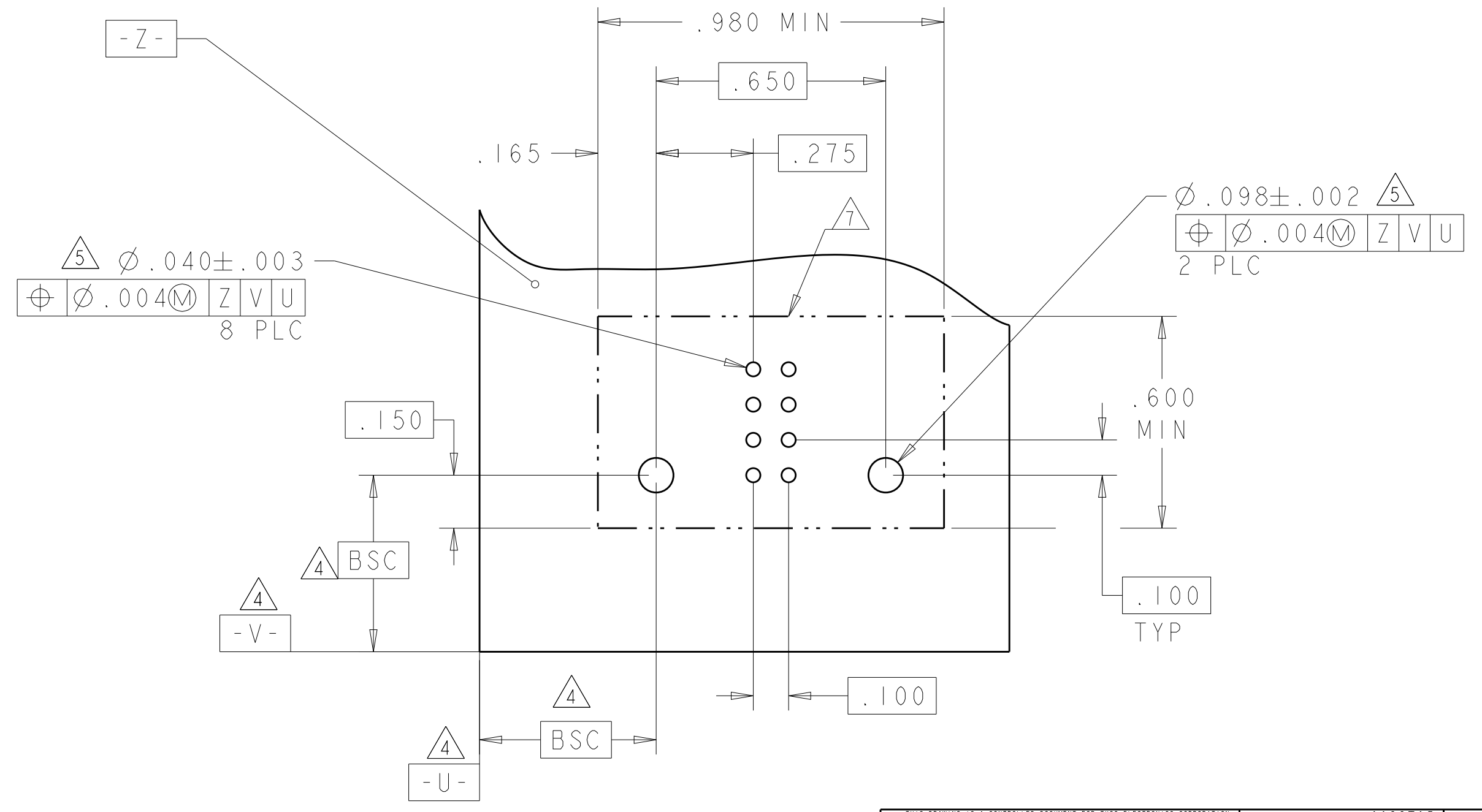
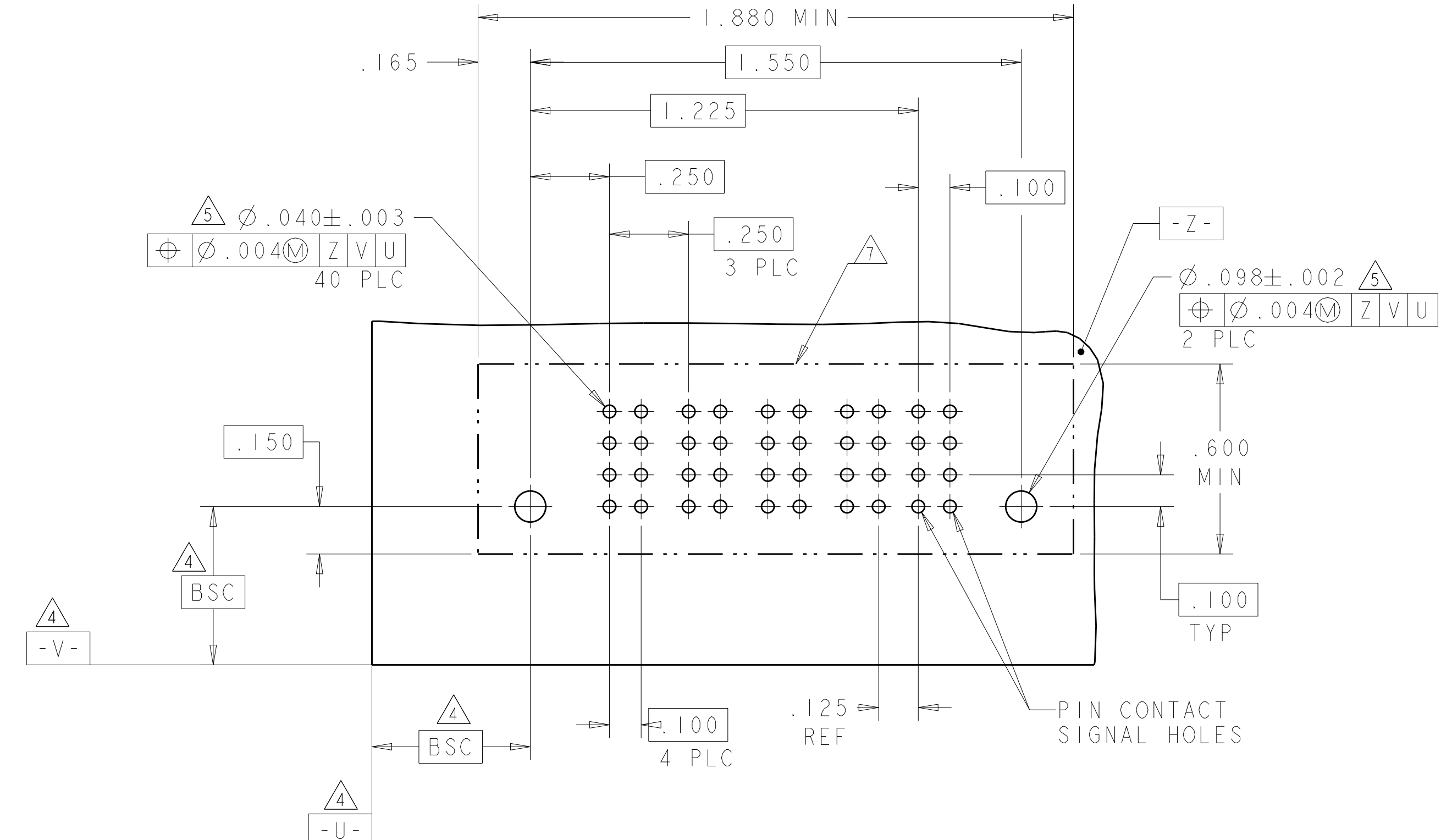
PART NUMBER	ROWS	POWER									S	
		P1	P2	P3	P4	P5	P6	P7	P8	P9	1	2
6600313-9	D										EV	EV
	C	VM	VM	VM	VM	VM	VM	VM	VM	VM	EV	EV
	B										EV	EV
	A										EV	EV
9HDP+8S	HD											

PART NUMBER	ROWS	POWER									S	
		P1	P2	P3	P4	P5	P6	P7	P8	P9	1	2
I-6600313-1	D										EV	EV
	C	VM	VM	VM	VM	VM	VM	VM	VM	VM	EV	EV
	B										EV	EV
	A										EV	EV
9ACP+8S	HD											



PART NUMBER	ROWS	POWER				S	
		P1	P2	P3	P4	1	2
I-6600313-0	D					EV	EV
	C	VM	VM	VM	VM	EV	EV
	B					EV	EV
	A					EV	ES
4P + 8S	HD						

PART NUMBER	ROWS	S	
		1	2
I-6600313-2	D	EV	EV
	C	EV	EV
	B	EV	EV
	A	EV	EV
8S	HD		

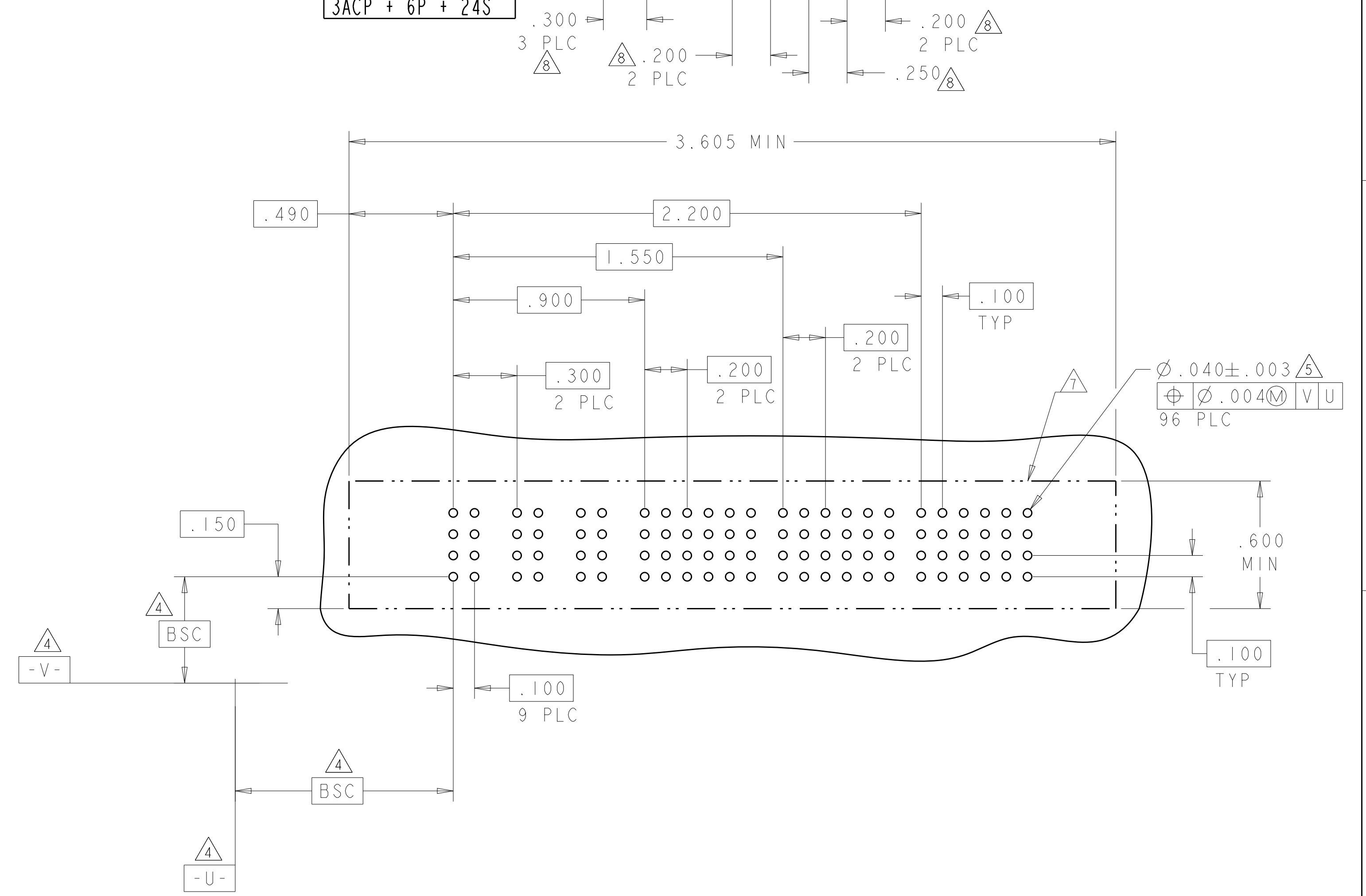
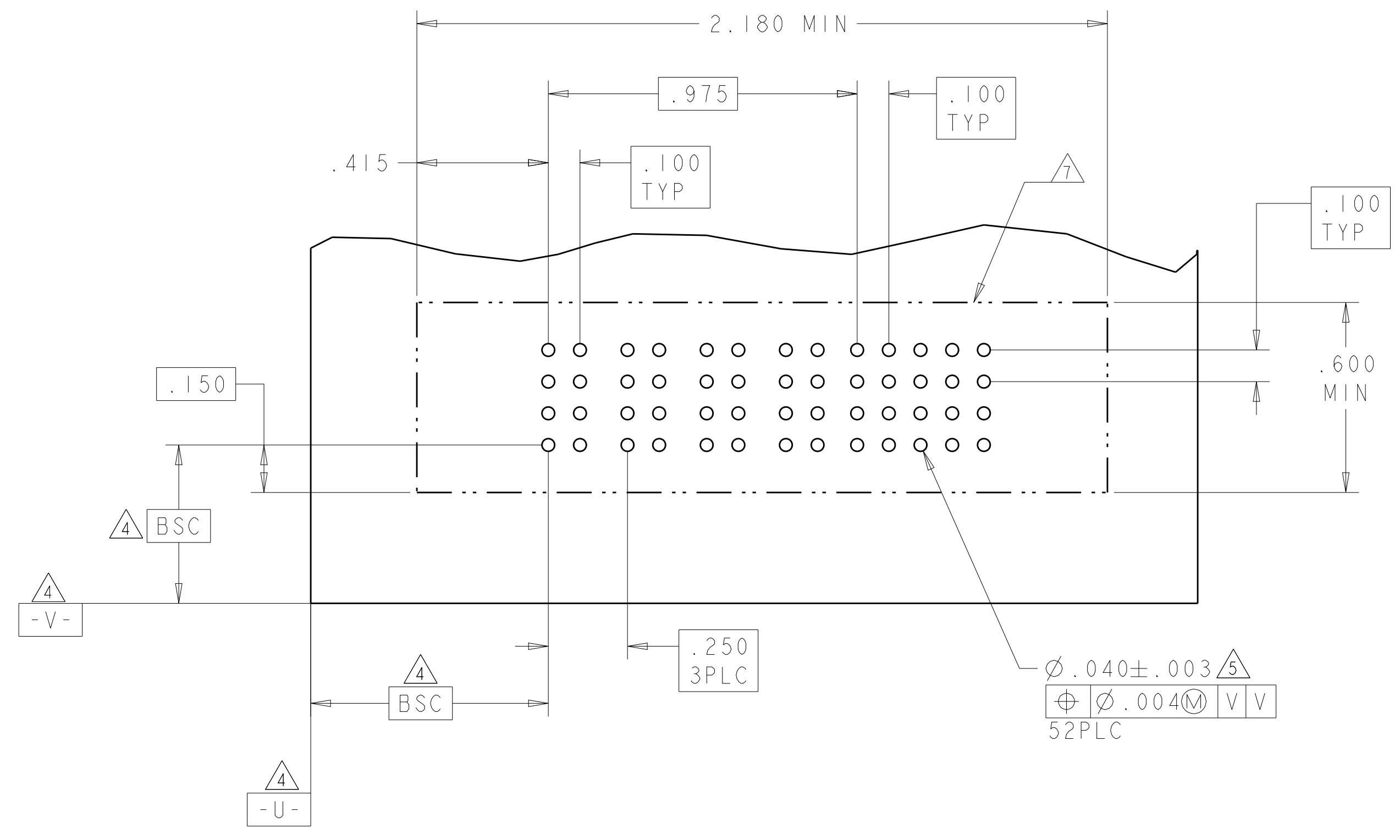


DIMENSIONS: INCH 		TOLERANCES UNLESS OTHERWISE SPECIFIED: 0 PLC ±.1 1 PLC ±.1 2 PLC ±.1 3 PLC ±.005 4 PLC ±.005 ANGLES ±.1		DWN J. McCLINTON 06OCT05 CHK D. TROUT 06OCT05 APVD P. MLYNE 06OCT05 PRODUCT SPEC 108-1973 APPLICATION SPEC 114-13038 WEIGHT CUSTOMER DRAWING		Tyco Electronics Corporation Shanghai, P.R. China. 200233 NAME VERTICAL HEADER ASSEMBLY, W/GUIDES PRESS FIT, TYPE PS MULTI-BEAM XL SIZE CAGE CODE DRAWING NO. A100779C=6600313 RESTRICTED TO	
MATERIAL		FINISH		SCALE 3:1		SHEET 3 OF 7	

LOC	DIST	REV	DATE	BY	APPV
ES	00				
REVISIONS			DESCRIPTION	DATE	BY
			SEE SHEET 1		

PART NUMBER	ROWS	POWER				S				
		P1	P2	P3	P4	1	2	3	4	5
I-6600313-6	D	VM	VM	VM	VM	EV	EV	EV	EV	EV
	C					EV	EV	EV	EV	EV
	B					EV	EV	EV	EV	EV
	A					EV	EV	EV	EV	EV
4P + 20S										

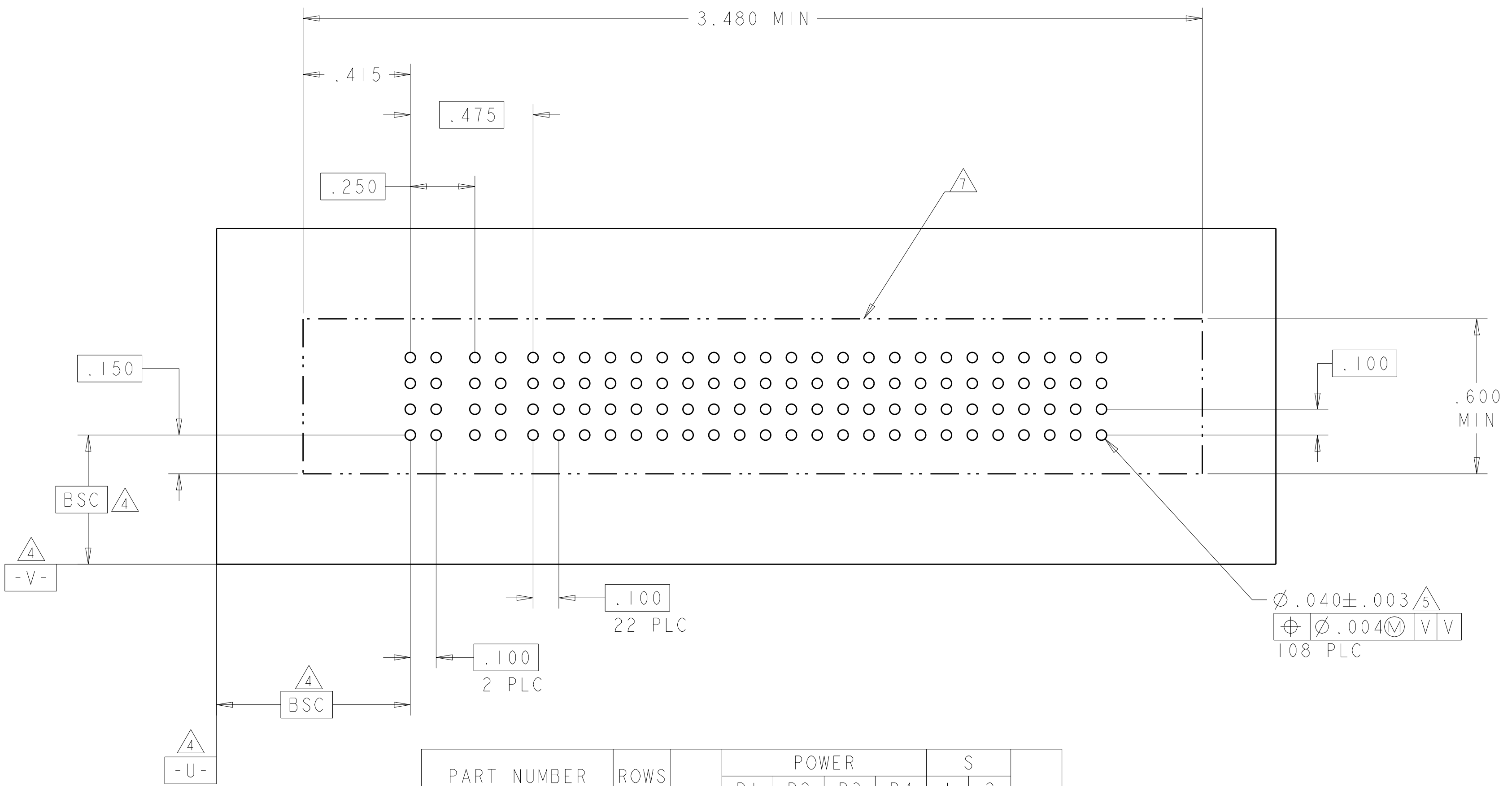
PART NUMBER	ROWS	POWER								SIGNAL						
		P1	P2	P3	P4	P5	P6	P7	P8	P9	1	2	3	4	5	6
I-6600313-7	D	VM	VM	VM	VM	VM	VM	VM	VM	VM	EV	ES	EV	EV	EV	ES
	C										EV	EV	EV	EV	ES	ES
	B										EV	EV	EV	EV	ES	ES
	A										EV	EV	EV	EV	ES	EV
3ACP + 6P + 24S																



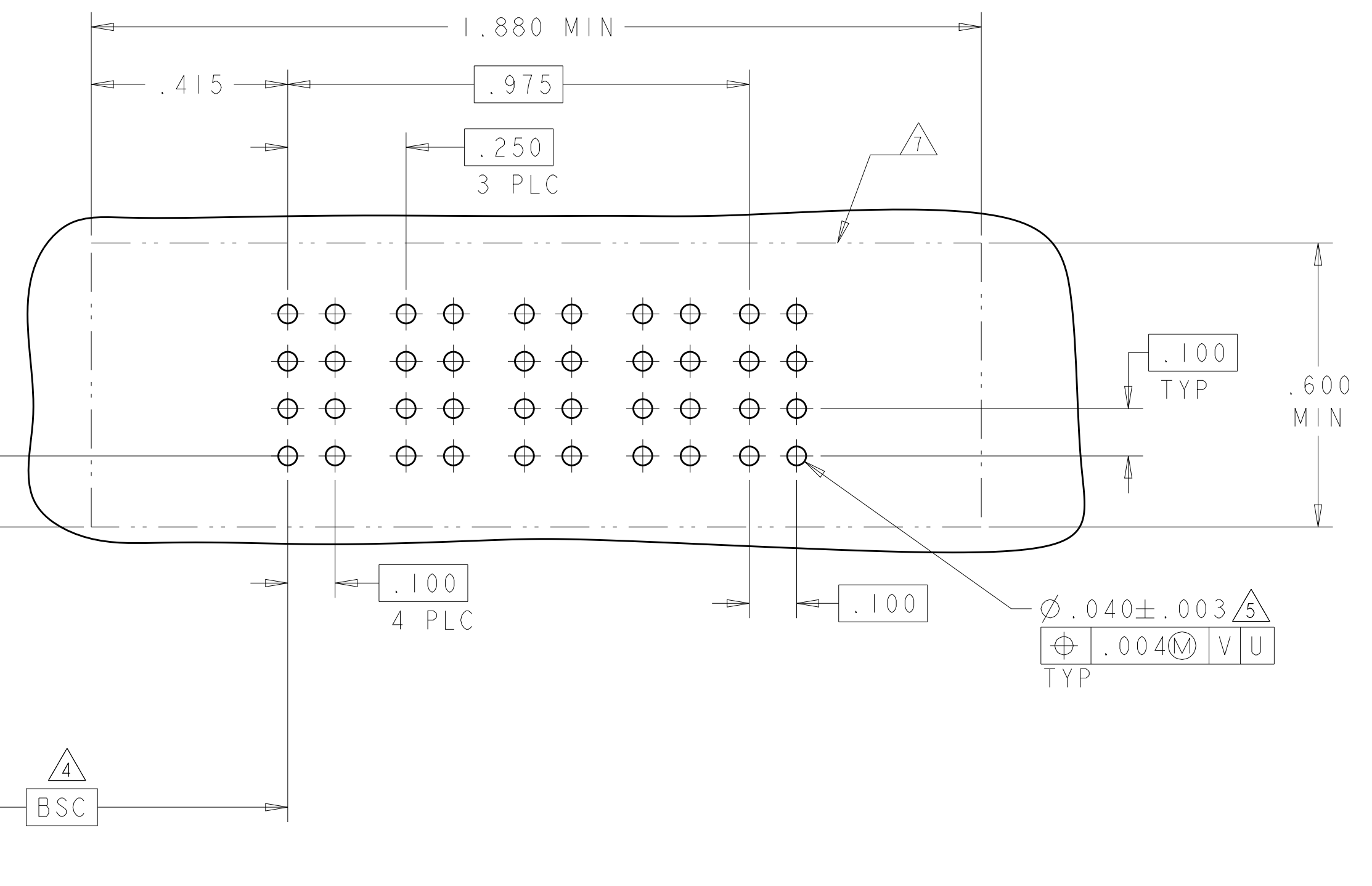
<small>THIS DRAWING IS UNPUBLISHED. RELEASED FOR PUBLICATION BY TYCO ELECTRONICS CORPORATION. ALL RIGHTS RESERVED.</small>		DWN J. McCLINTON 06OCT05 CHK D. TROUT 06OCT05 APVD B. WHYNE 06OCT05	Tyco Electronics Corporation Shanghai, P.R. China. 200233
DIMENSIONS: INCH 		TOLERANCES UNLESS OTHERWISE SPECIFIED: 0 PLC ±. 1 PLC ±0.1 2 PLC ±. 3 PLC ±0.005 4 PLC ±. ANGLES ±.	NAME VERTICAL HEADER ASSEMBLY, W/GUIDES PRESS FIT, TYPE PS MULTI-BEAM XL PRODUCT SPEC 108-1973 APPLICATION SPEC 114-13038 WEIGHT CUSTOMER DRAWING
MATERIAL FINISH		SIZE CAGE CODE DRAWING NO A1100779C=6600313	RESTRICTED TO SCALE 3:1 SHEET 5 OF 7 REV G1

LOC		DIST		REVISIONS			
ES	00	P	LTH	DESCRIPTION	DATE	DMN	APVD
		-		SEE SHEET 1			

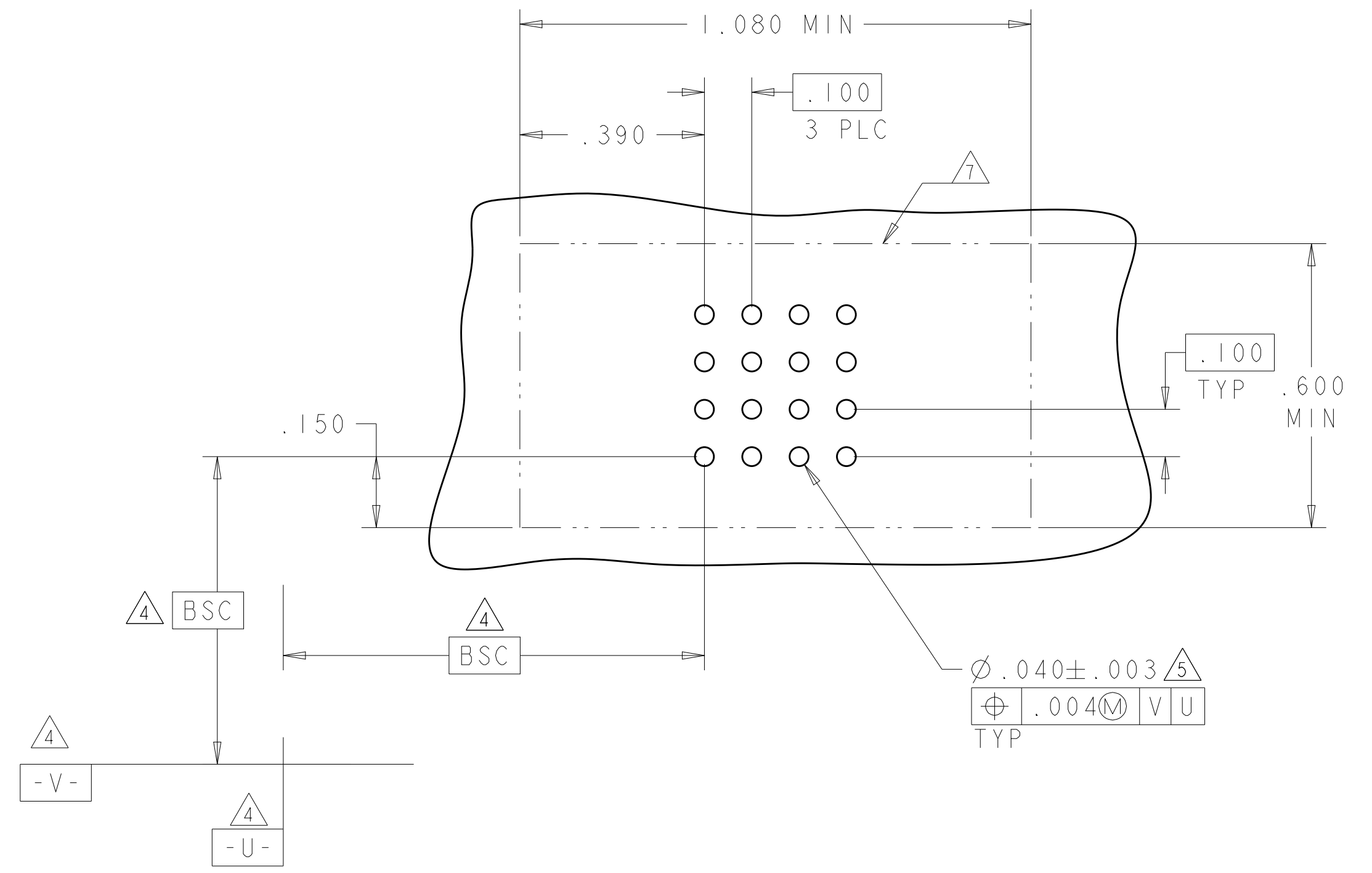
PART NUMBER	ROWS	POWER		SIGNAL																									
		P1	P2	1	2	3	4	5	6	7	8	9	10	11	12	13	14	15	16	17	18	19	20	21	22	23			
1-6600313-8	D	VM	VM	EV	EV	EV	EV	EV	EV	EV	EV	EV	EV	EV	EV	EV	EV	EV	EV	EV	EV	EV	EV	EV	EV	EV	EV		
	C			EV	EV	EV	EV	EV	EV	EV	EV	EV	EV	EV	EV	EV	EV	EV	EV	EV	EV	EV	EV	EV	EV	EV	EV	EV	
	B			EV	EV	EV	EV	EV	EV	EV	EV	EV	EV	EV	EV	EV	EV	EV	EV	EV	EV	EV	EV	EV	EV	EV	EV	EV	EV
	A			EV	EV	EV	EV	EV	EV	EV	EV	EV	EV	EV	EV	EV	EV	EV	EV	EV	EV	EV	EV	EV	EV	EV	EV	EV	EV
2P + 92S																													



PART NUMBER	ROWS	POWER				S	
		P1	P2	P3	P4	1	2
1-6600313-9	D	VM	VM	VM	VM	EV	EV
	C					EV	EV
	B					EV	EV
	A					EV	EV
4P + 8S							



PART NUMBER	ROWS	S			
		1	2	3	4
2-6600313-0	D	ES	EV	ES	ES
	C	ES	EV	ES	ES
	B	ES	EV	ES	ES
	A	ES	EV	ES	ES
16S					

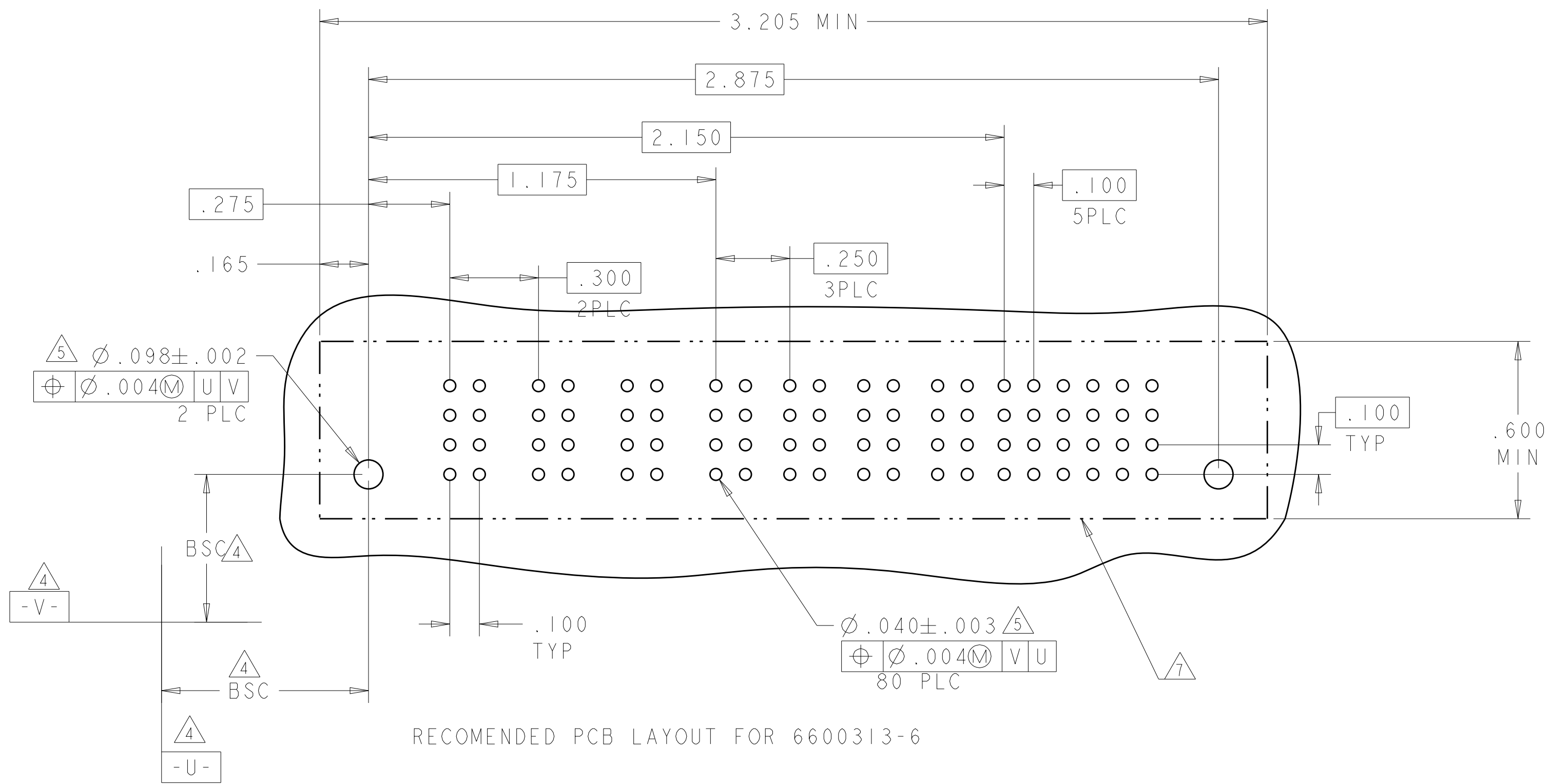
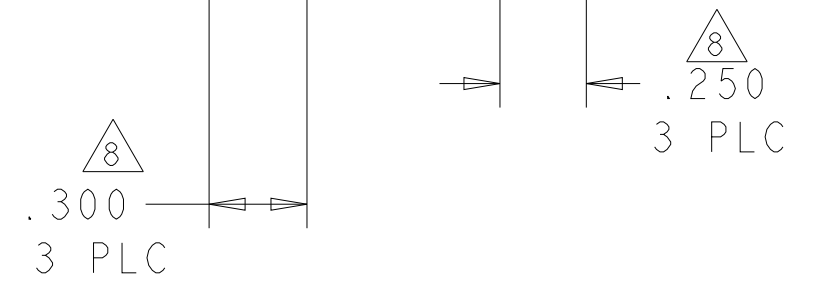


<small>THIS DRAWING IS UNPUBLISHED. RELEASED FOR PUBLICATION BY TYCO ELECTRONICS CORPORATION. ALL RIGHTS RESERVED.</small>		DMN: J. McCLINTON 06OCT05 CHK: D. TROUT 06OCT05 APVD: B. WHYNE 06OCT05	Tyco Electronics Corporation Shanghai, P.R. China. 200233
DIMENSIONS: INCH 	TOLERANCES UNLESS OTHERWISE SPECIFIED: 0 PLC ±.1 1 PLC ±.1 2 PLC ±.05 3 PLC ±.05 4 PLC ±.05 ANGLES ±.1	NAME: VERTICAL HEADER ASSEMBLY, W/GUIDES PRESS FIT, TYPE PS MULTI-BEAM XL PRODUCT SPEC: 108-1973 APPLICATION SPEC: 114-13038 WEIGHT: - CUSTOMER DRAWING: -	SIZE: A CAGE CODE: 00779 DRAWING NO: 6600313 SCALE: 3:1 SHEET: 6 OF 7 REV: G1

LOC	DIST	REVISIONS					
ES	00	P	LTH	DESCRIPTION	DATE	DWN	APVD
		-		SEE SHEET 1			

PART NUMBER	ROWS	POWER							SIGNAL					
		P1	P2	P3	P4	P5	P6	P7	1	2	3	4	5	6
6600313-6	D	VM	VM	VM	VM	VM	VM	VM	EV	ES	EV	EV	EV	ES
	C	VM	VM	VM	VM	VM	VM	VM	EV	ES	EV	EV	EV	ES
	B	VM	VM	VM	VM	VM	VM	VM	EV	ES	EV	EV	EV	ES
	A	VM	VM	VM	VM	VM	VM	VM	EV	ES	EV	EV	EV	ES

3ACP + 4P + 24S



RECOMENDED PCB LAYOUT FOR 6600313-6

<small>THIS DRAWING IS UNPUBLISHED. RELEASED FOR PUBLICATION BY TYCO ELECTRONICS CORPORATION. ALL RIGHTS RESERVED.</small>		DWN: J. McCLINTON 06OCT05 CHK: D. TROUT 06OCT05 APVD: B. WHYNE 06OCT05	Tyco Electronics Corporation Shanghai, P.R. China. 200233
DIMENSIONS: INCH	TOLERANCES UNLESS OTHERWISE SPECIFIED: 0 PLC ±. 1 PLC ±0.1 2 PLC ±. 3 PLC ±0.005 4 PLC ±. ANGLES ±. FINISH	NAME: VERTICAL HEADER ASSEMBLY, W/GUIDES PRESS FIT, TYPE PS MULTI-BEAM XL PRODUCT SPEC: 108-1973 APPLICATION SPEC: 114-13038 WEIGHT: -	SIZE: A CAGE CODE: 00779 DRAWING NO: 6600313 RESTRICTED TO: -
MATERIAL: - FINISH: -		CUSTOMER DRAWING	SCALE: 3:1 SHEET: 7 OF 7 REV: G1

Компания «Life Electronics» занимается поставками электронных компонентов импортного и отечественного производства от производителей и со складов крупных дистрибьюторов Европы, Америки и Азии.

С конца 2013 года компания активно расширяет линейку поставок компонентов по направлению коаксиальный кабель, кварцевые генераторы и конденсаторы (керамические, пленочные, электролитические), за счёт заключения дистрибьюторских договоров

Мы предлагаем:

- Конкурентоспособные цены и скидки постоянным клиентам.
- Специальные условия для постоянных клиентов.
- Подбор аналогов.
- Поставку компонентов в любых объемах, удовлетворяющих вашим потребностям.
- Приемлемые сроки поставки, возможна ускоренная поставка.
- Доставку товара в любую точку России и стран СНГ.
- Комплексную поставку.
- Работу по проектам и поставку образцов.
- Формирование склада под заказчика.
- Сертификаты соответствия на поставляемую продукцию (по желанию клиента).
- Тестирование поставляемой продукции.
- Поставку компонентов, требующих военную и космическую приемку.
- Входной контроль качества.
- Наличие сертификата ISO.

В составе нашей компании организован Конструкторский отдел, призванный помогать разработчикам, и инженерам.

Конструкторский отдел помогает осуществить:

- Регистрацию проекта у производителя компонентов.
- Техническую поддержку проекта.
- Защиту от снятия компонента с производства.
- Оценку стоимости проекта по компонентам.
- Изготовление тестовой платы монтаж и пусконаладочные работы.



Тел: +7 (812) 336 43 04 (многоканальный)

Email: org@lifeelectronics.ru