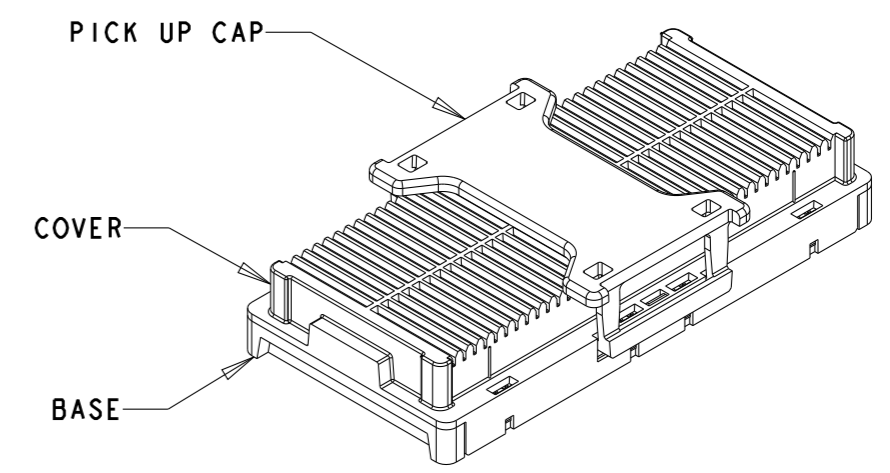
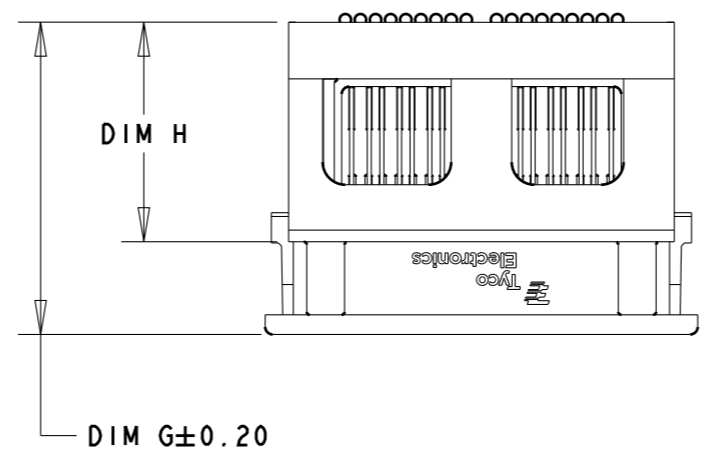
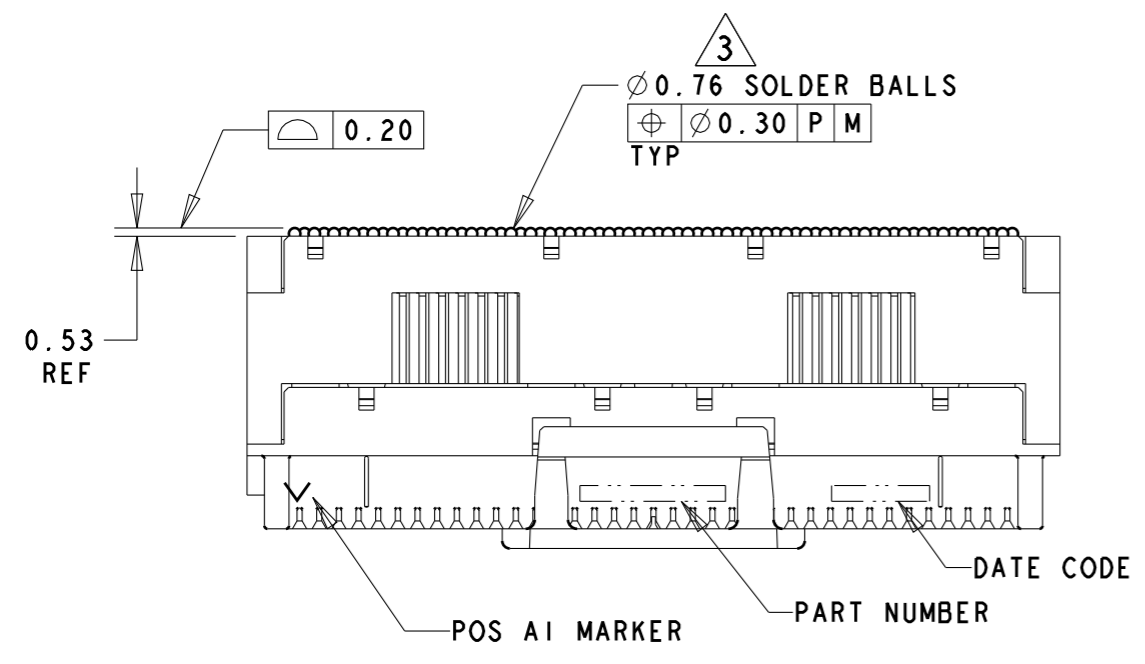


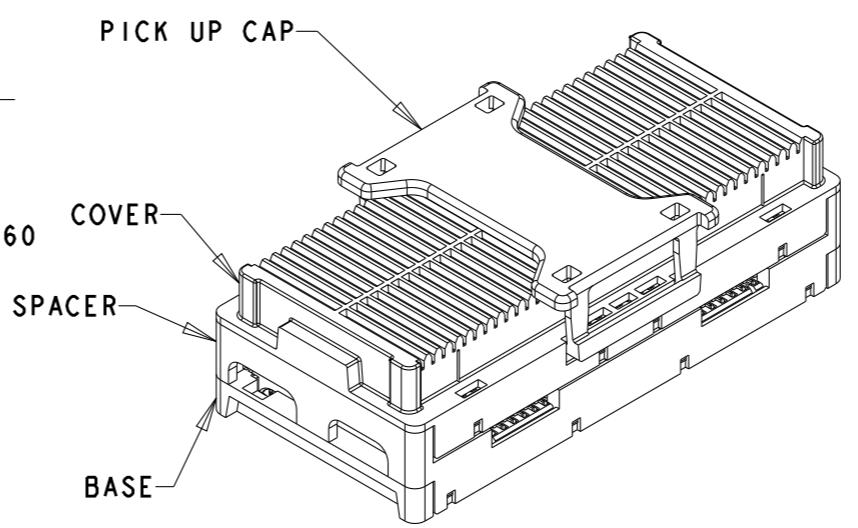
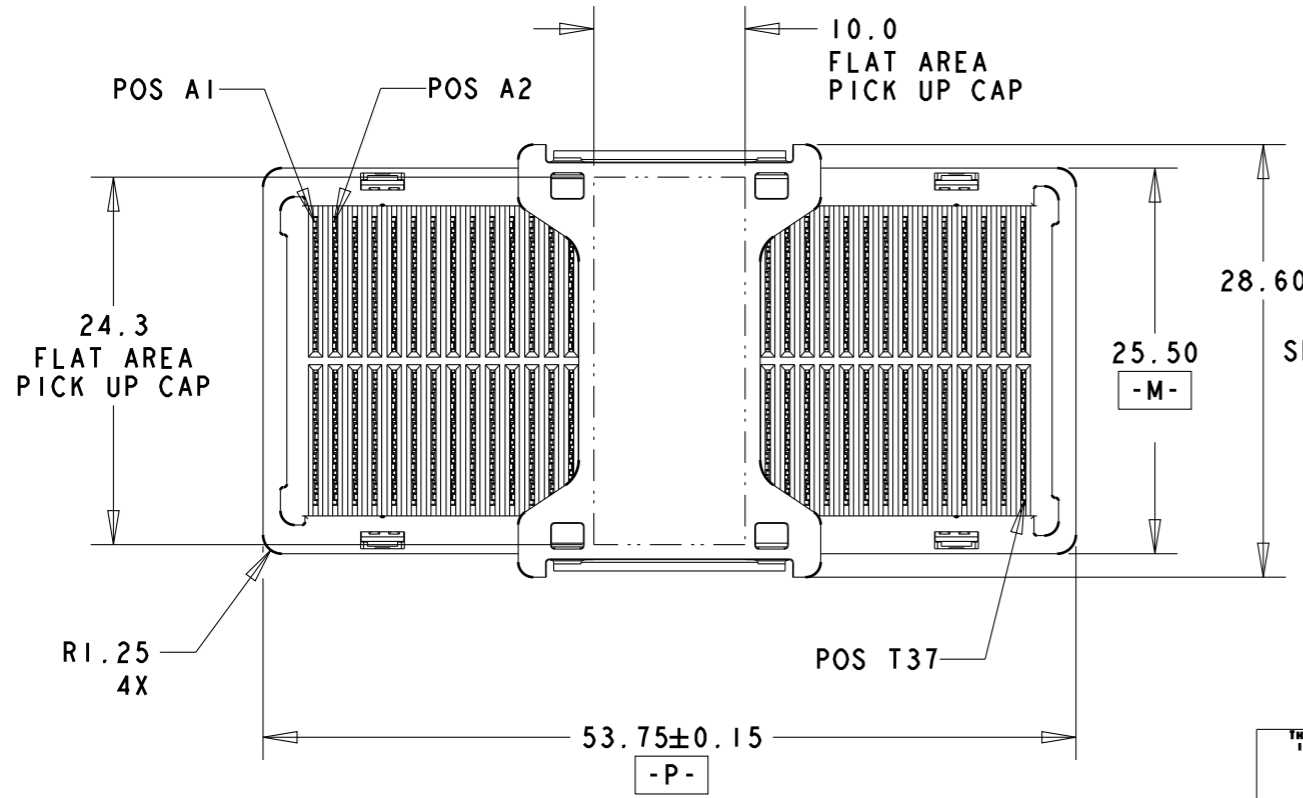
THIS DRAWING IS UNPUBLISHED.  
 RELEASED FOR PUBLICATION  
 20  
 © COPYRIGHT 20 BY TYCO ELECTRONICS CORPORATION, ALL RIGHTS RESERVED.

LOC DY	DIST -	REVISIONS					
		P	LTR	DESCRIPTION	DATE	DWN	APVD
		B4		REVISED PER ECR-10-013879	01JUL2010	SYJ	LSF

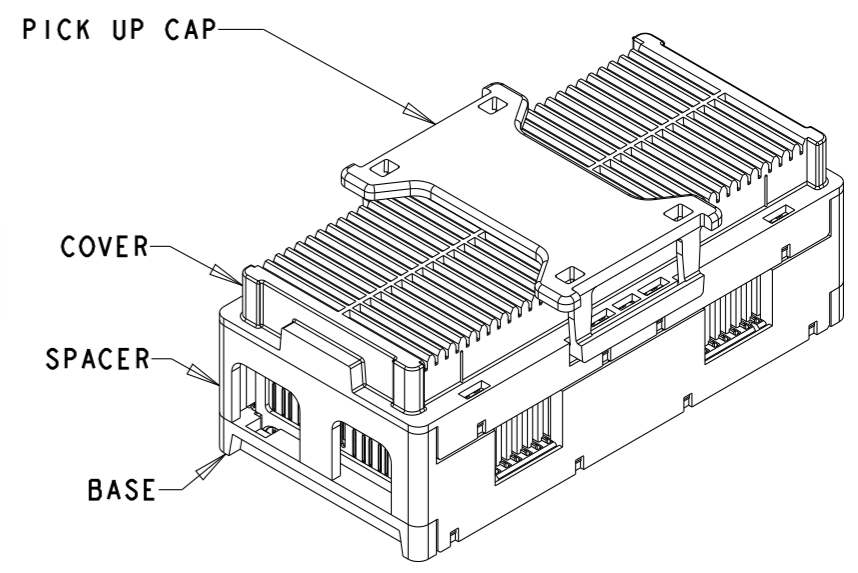


**TYPICAL ASSEMBLY**  
 15mm SHOWN  
 SCALE 2:1

**ISOMETRIC VIEW**  
 TYPICAL CONFIGURATION  
 FOR 5mm ASSEMBLY  
 SCALE 3:2



**ISOMETRIC VIEW**  
 TYPICAL CONFIGURATION  
 FOR 11mm ASSEMBLY  
 SCALE 3:2



**ISOMETRIC VIEW**  
 TYPICAL CONFIGURATION  
 FOR 15mm ASSEMBLY  
 SCALE 3:2

<small>THIS DRAWING IS A CONTROLLED DOCUMENT FOR TYCO ELECTRONICS CORPORATION          IT IS SUBJECT TO CHANGE AND THE CONTROLLING ENGINEERING ORGANIZATION          SHOULD BE CONTACTED FOR THE LATEST REVISION.</small>		DWN P BRANDBERG 11 JAN05 CHK D WERTZ 12 JAN05 APVD D WERTZ 12 JAN05		Tyco Electronics Singapore	
DIMENSIONS: mm		TOLERANCES UNLESS OTHERWISE SPECIFIED: 0 PLC ± 1 PLC ±0.3 2 PLC ±0.10 3 PLC ±0.050 4 PLC ± ANGLES ±2°		NAME <b>STEP-Z RECEPTACLE ASSEMBLY,          296 SIGNAL POSITION</b>	
				PRODUCT SPEC 108-2143	
MATERIAL 		FINISH 		APPLICATION SPEC 114-13101	
		WEIGHT CUSTOMER DRAWING		SIZE A3 CAGE CODE 00779 DRAWING NO C-1761617 RESTRICTED TO -	
		SCALE - SHEET 1 OF 4 REV B4			

THIS DRAWING IS UNPUBLISHED.

RELEASED FOR PUBLICATION

20

© COPYRIGHT 20

BY TYCO ELECTRONICS CORPORATION, ALL RIGHTS RESERVED.

LOC  
DY

DIST  
-

REVISIONS

P	LTR	DESCRIPTION	DATE	DWN	APVD
-	-	SEE SHEET 1	-	-	-

1 MATERIAL:  
 BASE, SPACER, COVER: THERMOPLASTIC  
 PICK UP CAP: THERMOPLASTIC  
 CONTACT: COPPER ALLOY  
 SOLDER BALL: Sn/Pb FOR P/N 1761617-1 THRU 5-1761617-0  
 Sn/Ag FOR P/N 5-1761617-1 THRU 9-1761617-9

2 FINISH:  
 CONTACT: 0.00076 MIN GOLD OVER 0.00127 MIN NICKEL.  
 (30µ" MIN GOLD OVER 50µ" MIN NICKEL)

3 SOLDER BALLS WILL NOT BE PERFECT  
 SPHERICAL SHAPE DUE TO REFLOW ATTACHMENT.


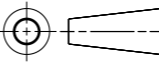
4 CONTACTS IN ROWS A,C,E,G,J,K,M,P,R, AND T  
 ARE SINGLE BEAM CONTACTS,  
 TYPICALLY USED AS GROUND PINS.  
 (NOTE: CONTACTS IN ROWS J & K ARE TIED  
 TOGETHER [COMMONED]).

5 CONTACTS IN ROWS B,D,F,H,L,N,O, AND S  
 ARE DUAL BEAM CONTACTS,  
 TYPICALLY USED AS SIGNAL PINS.

6 SPECIFIED POSITIONAL TOLERANCE DEFINES PAD TO PAD  
 LOCATION WITHIN LAND PATTERN. POSITIONAL TOLERANCE  
 OF LAND PATTERN TO FUDICIAL MARKS OR PCB DATUMS  
 SHALL BE DEFINED BY CUSTOMER. FOR RECOMMENDED  
 PRODUCT APPLICATION AND PCB DESIGN DETAILS, SEE  
 APPLICATION SPEC 114-13101.

DIM H	DIM G	LOAD STYLE	DESCRIPTION	PART NUMBER
14.51	20.65	-	15mm Sn/Ag	6-1761617-5
10.51	16.65	-	11mm Sn/Ag	6-1761617-1
4.51	10.65	-	5mm Sn/Ag	5-1761617-5
14.51	20.65	-	15mm Sn/Pb	1-1761617-5
10.51	16.65	-	11mm Sn/Pb	1-1761617-1
4.51	10.65	-	5mm Sn/Pb	1761617-5

THIS DRAWING IS A CONTROLLED DOCUMENT FOR TYCO ELECTRONICS CORPORATION  
 IT IS SUBJECT TO CHANGE AND THE CONTROLLING ENGINEERING ORGANIZATION  
 SHOULD BE CONTACTED FOR THE LATEST REVISION.

DIMENSIONS: mm	TOLERANCES UNLESS OTHERWISE SPECIFIED: 0 PLC ±. 1 PLC ±0.3 2 PLC ±0.10 3 PLC ±0.050 4 PLC ±. ANGLES ±2°	DWN P BRANDBERG 11 JAN05	 Tyco Electronics Singapore
	MATERIAL -	CHK D WERTZ 12 JAN05	
	FINISH -	APVD D WERTZ 12 JAN05	
		PRODUCT SPEC -	NAME STEP-Z RECEPTACLE ASSEMBLY, 296 SIGNAL POSITION
		APPLICATION SPEC -	SIZE CAGE CODE DRAWING NO RESTRICTED TO
		WEIGHT -	A300779 C-1761617
		CUSTOMER DRAWING	SCALE - SHEET 2 OF 4 REV B4

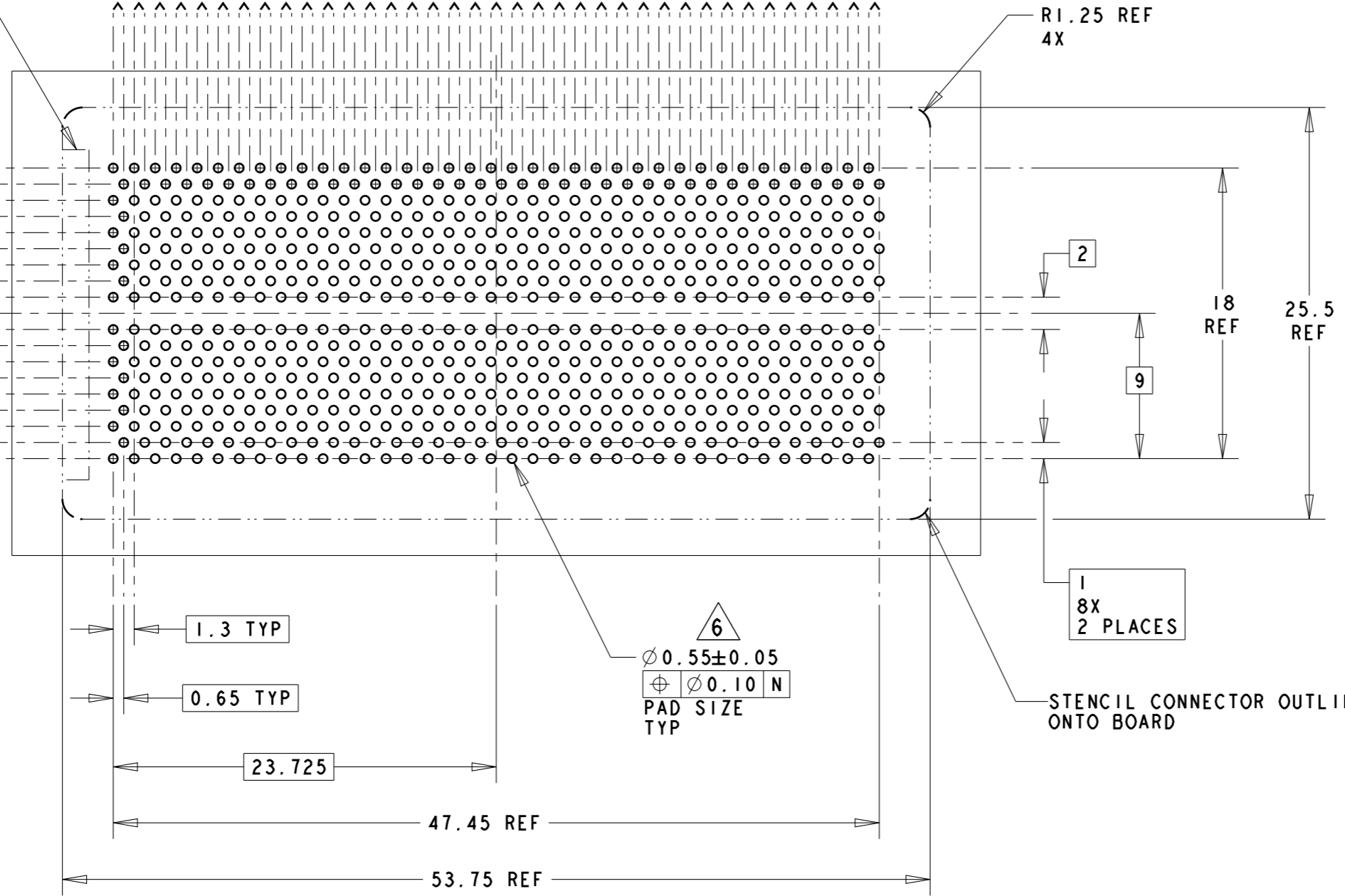
THIS DRAWING IS UNPUBLISHED. RELEASED FOR PUBLICATION 20  
 © COPYRIGHT 20 BY TYCO ELECTRONICS CORPORATION, ALL RIGHTS RESERVED.

LOC	DIST	REVISIONS			
P	LTR	DESCRIPTION	DATE	DWN	APVD
DY	-	SEE SHEET 1	-	-	-

KEY ORIENTATION  
SILK-SCREEN  
(OPTIONAL)

1 2 3 4 5 6 7 8 9 10 11 12 13 14 15 16 17 18 19 20 21 22 23 24 25 26 27 28 29 30 31 32 33 34 35 36 37

A  
B  
C  
D  
E  
F  
G  
H  
J  
K  
L  
M  
N  
P  
Q  
R  
S  
T



1.3 TYP

0.65 TYP

23.725

47.45 REF

53.75 REF

6  
 $\varnothing 0.55 \pm 0.05$   
 $\varnothing 0.10$  N  
 PAD SIZE  
 TYP

R1.25 REF  
4X

2

18  
REF

25.5  
REF

9

1  
8X  
2 PLACES

STENCIL CONNECTOR OUTLINE  
ONTO BOARD

- N -

4 5 BOARD PATTERN  
SCALE 3:1

THIS DRAWING IS A CONTROLLED DOCUMENT FOR TYCO ELECTRONICS CORPORATION  
IT IS SUBJECT TO CHANGE AND THE CONTROLLING ENGINEERING ORGANIZATION  
SHOULD BE CONTACTED FOR THE LATEST REVISION.

DIMENSIONS:	TOLERANCES UNLESS OTHERWISE SPECIFIED:
mm	0 PLC ±0.3
	1 PLC ±0.10
	2 PLC ±0.050
	3 PLC ±
	4 PLC ±2°
MATERIAL	FINISH
-	-

DWN	P BRANDBERG	11 JAN05
CHK	D WERTZ	12 JAN05
APVD	D WERTZ	12 JAN05
PRODUCT SPEC	-	-
APPLICATION SPEC	-	-
WEIGHT	-	-
CUSTOMER DRAWING		

		Tyco Electronics Singapore	
NAME STEP-Z RECEPTACLE ASSEMBLY, 296 SIGNAL POSITION			
SIZE	CAGE CODE	DRAWING NO	RESTRICTED TO
A3	00779	C-1761617	-
SCALE -		SHEET 3 OF 4	REV B4

THIS DRAWING IS UNPUBLISHED.

RELEASED FOR PUBLICATION

20

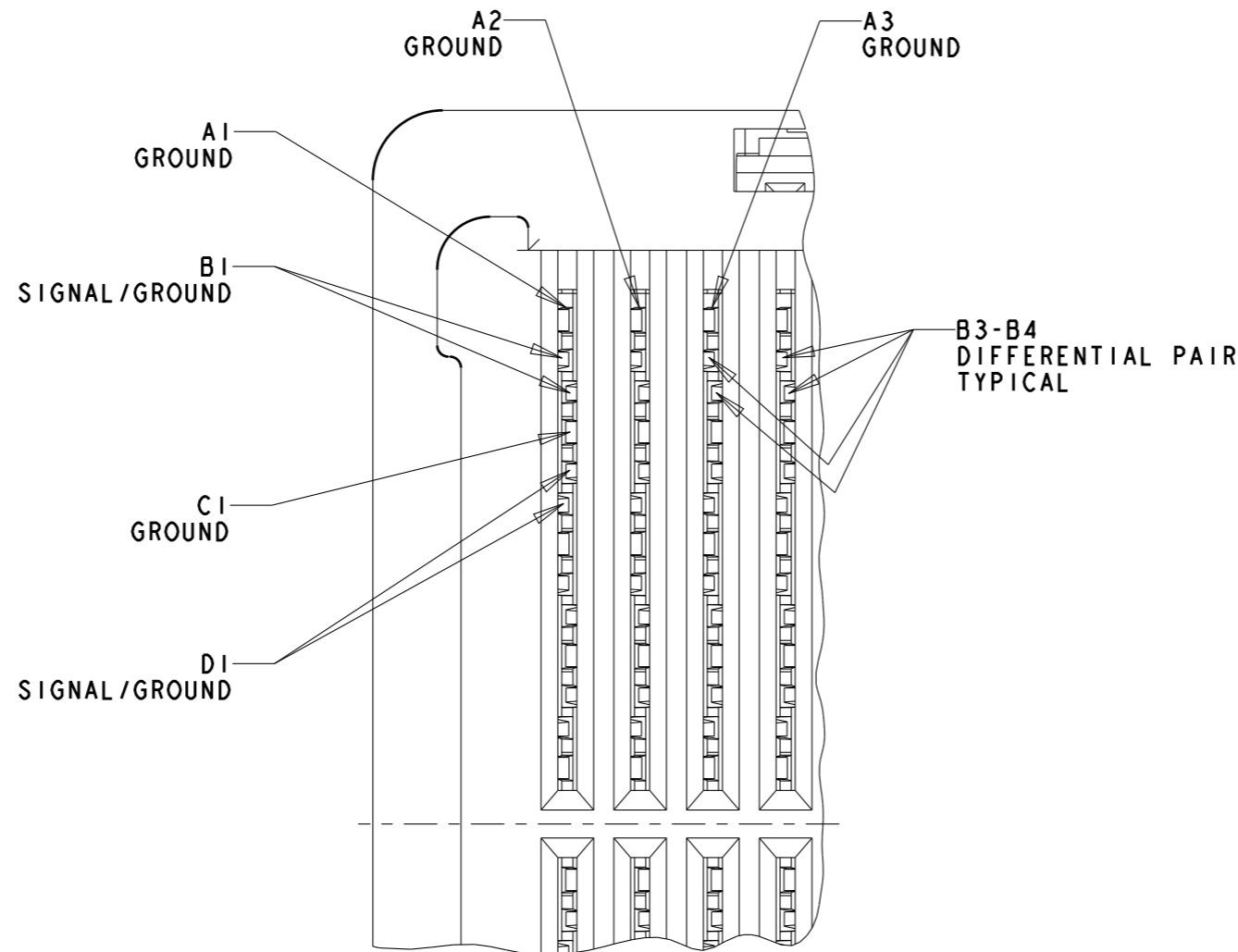
LOC  
DY

DIST  
-

REVISIONS

© COPYRIGHT 20 BY TYCO ELECTRONICS CORPORATION, ALL RIGHTS RESERVED.

P	LTR	DESCRIPTION	DATE	DWN	APVD
-	-	SEE SHEET 1	-	-	-



RECEPTACLE INTERFACE  
SCALE 8:1

<small>THIS DRAWING IS A CONTROLLED DOCUMENT FOR TYCO ELECTRONICS CORPORATION IT IS SUBJECT TO CHANGE AND THE CONTROLLING ENGINEERING ORGANIZATION SHOULD BE CONTACTED FOR THE LATEST REVISION.</small>		DWN P BRANDBERG 11 JAN05 CHK D WERTZ 12 JAN05 APVD D WERTZ 12 JAN05		Tyco Electronics Singapore	
DIMENSIONS: mm		TOLERANCES UNLESS OTHERWISE SPECIFIED: 0 PLC ±.3 1 PLC ±0.10 2 PLC ±0.050 3 PLC ±. 4 PLC ANGLES ±2° MATERIAL FINISH		NAME STEP-Z RECEPTACLE ASSEMBLY, 296 SIGNAL POSITION	
		PRODUCT SPEC - APPLICATION SPEC - WEIGHT -		SIZE A3 CAGE CODE 00779 DRAWING NO C-1761617 RESTRICTED TO -	
CUSTOMER DRAWING				SCALE - SHEET 4 OF 4 REV B4	

Компания «Life Electronics» занимается поставками электронных компонентов импортного и отечественного производства от производителей и со складов крупных дистрибьюторов Европы, Америки и Азии.

С конца 2013 года компания активно расширяет линейку поставок компонентов по направлению коаксиальный кабель, кварцевые генераторы и конденсаторы (керамические, пленочные, электролитические), за счёт заключения дистрибьюторских договоров

Мы предлагаем:

- Конкурентоспособные цены и скидки постоянным клиентам.
- Специальные условия для постоянных клиентов.
- Подбор аналогов.
- Поставку компонентов в любых объемах, удовлетворяющих вашим потребностям.
- Приемлемые сроки поставки, возможна ускоренная поставка.
- Доставку товара в любую точку России и стран СНГ.
- Комплексную поставку.
- Работу по проектам и поставку образцов.
- Формирование склада под заказчика.
- Сертификаты соответствия на поставляемую продукцию (по желанию клиента).
- Тестирование поставляемой продукции.
- Поставку компонентов, требующих военную и космическую приемку.
- Входной контроль качества.
- Наличие сертификата ISO.

В составе нашей компании организован Конструкторский отдел, призванный помогать разработчикам, и инженерам.

Конструкторский отдел помогает осуществить:

- Регистрацию проекта у производителя компонентов.
- Техническую поддержку проекта.
- Защиту от снятия компонента с производства.
- Оценку стоимости проекта по компонентам.
- Изготовление тестовой платы монтаж и пусконаладочные работы.



Тел: +7 (812) 336 43 04 (многоканальный)

Email: [org@lifeelectronics.ru](mailto:org@lifeelectronics.ru)