

# NX-series Analog Output Unit

# NX-DA

CSM\_NX-DA\_DS\_E\_2\_1

## Analog Outputs to meet all machine control needs; from general-purpose outputs to high-speed synchronous, high-resolution control outputs

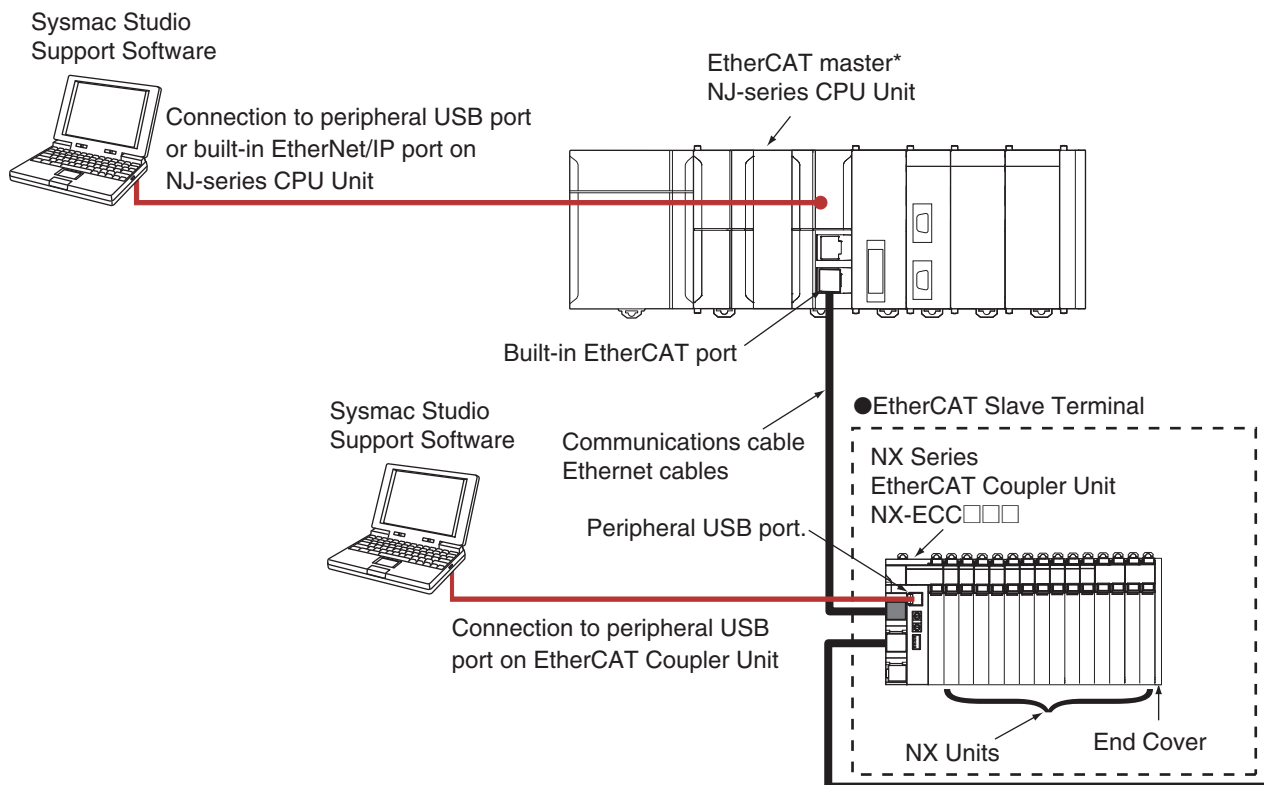
- Analog Output Units for the NX-series modular I/O system.
- Connect to other NX-series I/O Units and EtherCAT Coupler units using the high-speed NX-bus.
- Separate modules for voltage- and current outputs.



## Features

- Up to four analog outputs per unit.
- Free-run refreshing or synchronous I/O refreshing can be selected using the NX-series EtherCAT Coupler.
- Output update cycles of 10  $\mu$ s per channel, and resolution of 1/30000, ideal for high-speed, high-precision control.
- The screwless terminal block is detachable for easy commissioning and maintenance.
- Screwless push-in terminal block significantly reduces wiring work.
- All models are just 12 mm wide, saving space in your cabinet.

## System Configuration



\* OMRON CJ1W-NC□81/□82 Position Control Units cannot be connected to the EtherCAT Slave Terminal even though they support EtherCAT.

Sysmac® is a trademark or registered trademark of OMRON Corporation in Japan and other countries for OMRON factory automation products.



EtherCAT® is a registered trademark of Beckhoff Automation GmbH for their patented technology. Other company names and product names in this document are the trademarks or registered trademarks of their respective companies.

## Ordering Information

### International Standards

- The standards are abbreviated as follows: U: UL, U1: UL (Class I Division 2 Products for Hazardous Locations), C: CSA, UC: cULus, UC1: cULus (Class I Division 2 Products for Hazardous Locations), CU: cUL, N: NK, L: Lloyd, CE: EC Directives, and KC: KC Registration.
- Contact your OMRON representative for further details and applicable conditions for these standards.

### Analog Output Unit

| Unit type                    | Product Name  | Specification |             |            |  |                          |                 |  | NX Unit power consumption | Model     | Standards       |
|------------------------------|---|---------------|-------------|------------|--|--------------------------|-----------------|--|---------------------------|-----------|-----------------|
|                              |   | Capacity      | Input range | Resolution | Output setting value, decimal number (0 to 100%) | Over all accuracy (25°C) | Conversion time | I/O refreshing method  |                           |           |                 |
| NX Series Analog Output Unit | Voltage Output Unit<br>  | 2 points      | -10 to +10V | 1/8000     | -4000 to 4000                                    | ±0.3% (full scale)       | 250 μs/point    | Free-Run refreshing  | 1.10W max.                | NX-DA2603 | UC1,N, L, CE,KC |
|                              |   |               |             | 1/30000    | -15000 to 15000                                  | ±0.1% (full scale)       | 10 μs/point     | Selectable Synchronous I/O refreshing or Free-Run refreshing | 1.10W max.                | NX-DA2605 |                 |
|                              |   | 4 points      |             | 1/8000     | -4000 to 4000                                    | ±0.3% (full scale)       | 250 μs/point    | Free-Run refreshing  | 1.25W max.                | NX-DA3603 |                 |
|                              |   |               |             | 1/30000    | -15000 to 15000                                  | ±0.1% (full scale)       | 10 μs/point     | Selectable Synchronous I/O refreshing or Free-Run refreshing | 1.25W max.                | NX-DA3605 |                 |
|                              | Current Output Unit<br> | 2 points      | 4 to 20mA   | 1/8000     | 0 to 8000  | ±0.3% (full scale)       | 250 μs/point    | Free-Run refreshing  | 1.75W max.                | NX-DA2203 |                 |
|                              |   |               |             | 1/30000    | 0 to 30000                                       | ±0.1% (full scale)       | 10 μs/point     | Selectable Synchronous I/O refreshing or Free-Run refreshing | 1.75W max.                | NX-DA2205 |                 |
|                              |   | 4 points      |             | 1/8000     | 0 to 8000  | ±0.3% (full scale)       | 250 μs/point    | Free-Run refreshing  | 1.80W max.                | NX-DA3203 |                 |
|                              |   |               |             | 1/30000    | 0 to 30000                                       | ±0.1% (full scale)       | 10 μs/point     | Selectable Synchronous I/O refreshing or Free-Run refreshing | 1.80W max.                | NX-DA3205 |                 |

### Option

| Product Name                    | Specification  | Model                       | Standards            |                           |           |           |
|---------------------------------|--|-----------------------------|----------------------|---------------------------|-----------|-----------|
| Unit/Terminal Block Coding Pins | For 10 Units<br>(Terminal Block: 30 pins, Unit: 30 pins) | NX-AUX02                    | ---                  |                           |           |           |
| Product Name                    | Specification  |                             |                      |                           | Model     | Standards |
|                                 | No. of terminals   | Terminal number indications | Ground terminal mark | Terminal current capacity |           |           |
| Terminal Block                  | 8  | A/B                         | None                 | 10 A                      | NX-TBA082 | ---       |
|                                 | 12   |                             |                      |                           | NX-TBA122 |           |

### Accessories


Not included.

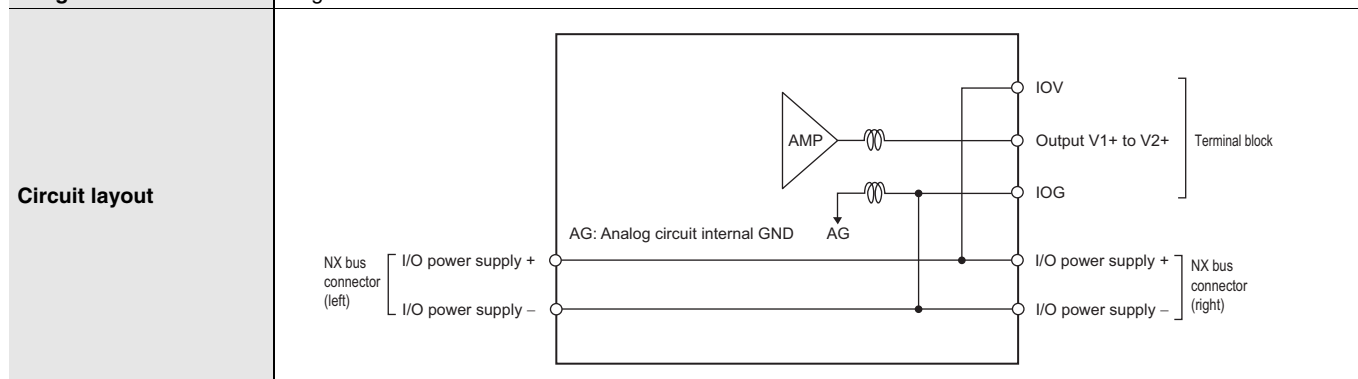
## General Specification

| Item                  |   | Specification   |
|-----------------------|---|---|
| Enclosure             |   | Mounted in a panel  |
| Grounding method      |   | Ground to 100 $\Omega$ or less  |
| Operating environment | Ambient operating temperature   | 0 to 55°C   |
|                       | Ambient operating humidity  | 10% to 95% (with no condensation or icing)  |
|                       | Atmosphere  | Must be free from corrosive gases.  |
|                       | Ambient storage temperature   | -25 to 70°C (with no condensation or icing)   |
|                       | Altitude  | 2,000 m max.  |
|                       | Pollution degree  | 2 or less: Conforms to JIS B3502 and IEC 61131-2.   |
|                       | Noise immunity  | 2 kV on power supply line (Conforms to IEC61000-4-4.)   |
|                       | Overvoltage category  | Category II: Conforms to JIS B3502 and IEC 61131-2.   |
|                       | EMC immunity level  | Zone B  |
|                       | Vibration resistance  | Conforms to IEC 60068-2-6.<br>5 to 8.4 Hz with 3.5-mm amplitude, 8.4 to 150 Hz, acceleration of 9.8 m/s <sup>2</sup> , 100 min each in X, Y, and Z directions<br>(10 sweeps of 10 min each = 100 min total) |
| Shock resistance      | Conforms to IEC 60068-2-27. 147 m/s <sup>2</sup> , 3 times each in X, Y, and Z directions |   |
| Applicable standards  |   | cULus: Listed UL508 and ANSI/ISA 12.12.01<br>EC: EN 61131-2 and C-Tick, KC Registration, NK, LR   |

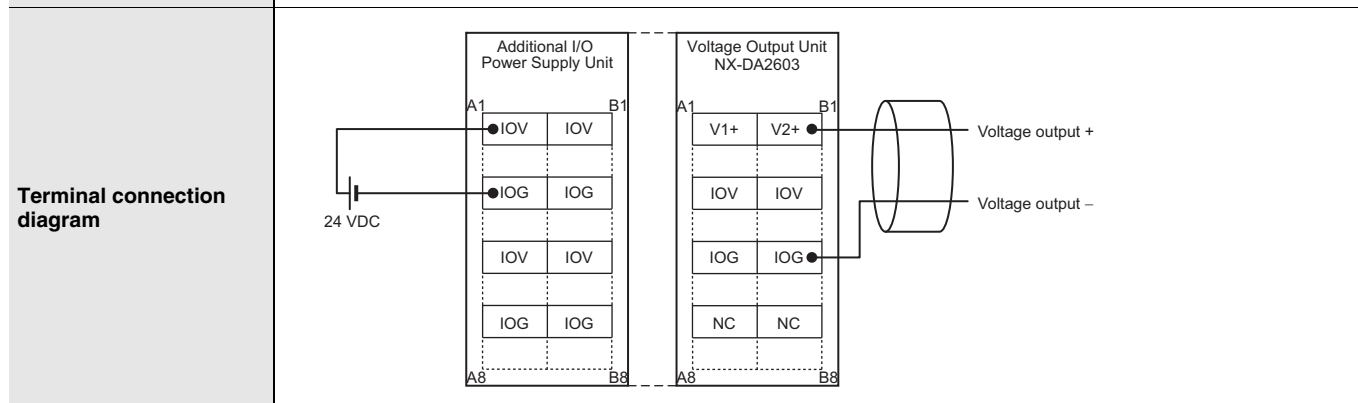
# Analog Output Unit Specifications

## Analog Output Unit (voltage output type) 2points NX-DA2603


|                                  |   |  |  |                    |
|----------------------------------|---|--|--|--------------------|
| <b>Unit name</b>                 | Analog Output Unit (voltage output type)  | <b>Model</b>   | NX-DA2603  |                    |
| <b>Capacity</b>                  | 2 points  | <b>External connection terminals</b>                 | Screwless clamping terminal block (8 terminals)  |                    |
| <b>I/O refreshing method</b>     | Free-Run refreshing   |  |  |                    |
| <b>Indicator</b>                 | TS indicator<br> | <b>Output range</b>                                  | -10 to +10 V   |                    |
|                                  |   | <b>Output conversion range</b>                       | -5 to 105% (full scale)  |                    |
|                                  |   | <b>Allowable load resistance</b>                     | 5 kΩ min.  |                    |
|                                  |   | <b>Output impedance</b>                              | 0.5 Ω max.   |                    |
|                                  |   | <b>Resolution</b>                                    | 1/8000 (full scale)  |                    |
|                                  |   | <b>Overall accuracy</b>                              | 25°C   | ±0.3% (full scale) |
|                                  |   |  | 0 to 55°C  | ±0.5% (full scale) |
| <b>Conversion time</b>           | 250 μs/point  |  |  |                    |
| <b>Dimensions</b>                | 12 (W) x 100 (H) x 71 (D)   | <b>Isolation method</b>                              | Between the input and the NX bus: Power = Transformer, Signal = Digital isolator (no isolation between inputs) |                    |
| <b>Insulation resistance</b>     | 20 MΩ min. between isolated circuits (at 100 VDC)   | <b>Dielectric strength</b>                           | 510 VAC between isolated circuits for 1 minute at a leakage current of 5 mA max.                               |                    |
| <b>I/O power supply method</b>   | Supply from the NX bus  | <b>Current capacity of I/O power supply terminal</b> | IOV: 0.1 A/terminal max., IOG: 0.1 A/terminal max.   |                    |
| <b>NX Unit power consumption</b> | 1.10 W max.   | <b>I/O current consumption</b>                       | No consumption   |                    |
| <b>Weight</b>                    | 70 g max.   |  |  |                    |

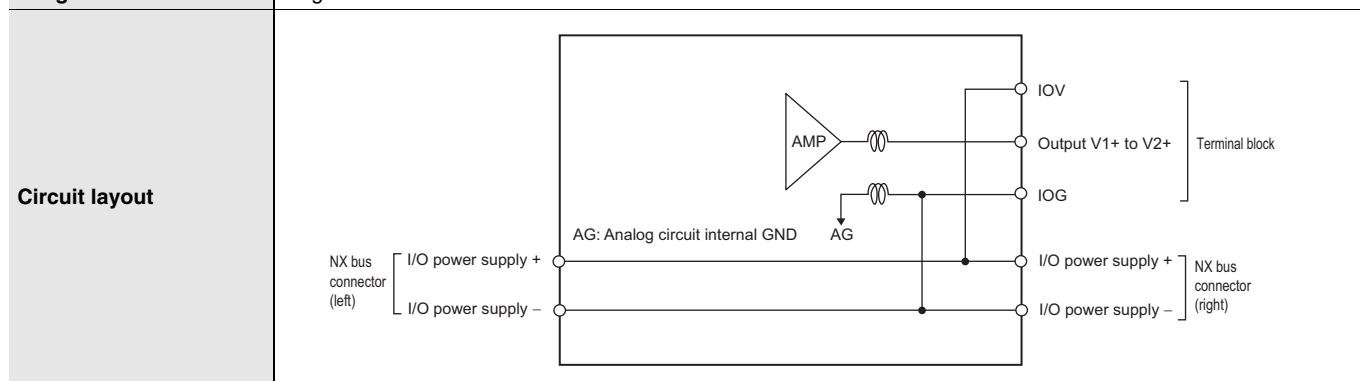


**Installation orientation and restrictions**  
 Installation orientation: Possible in 6 orientations.  
 Restrictions: No restrictions

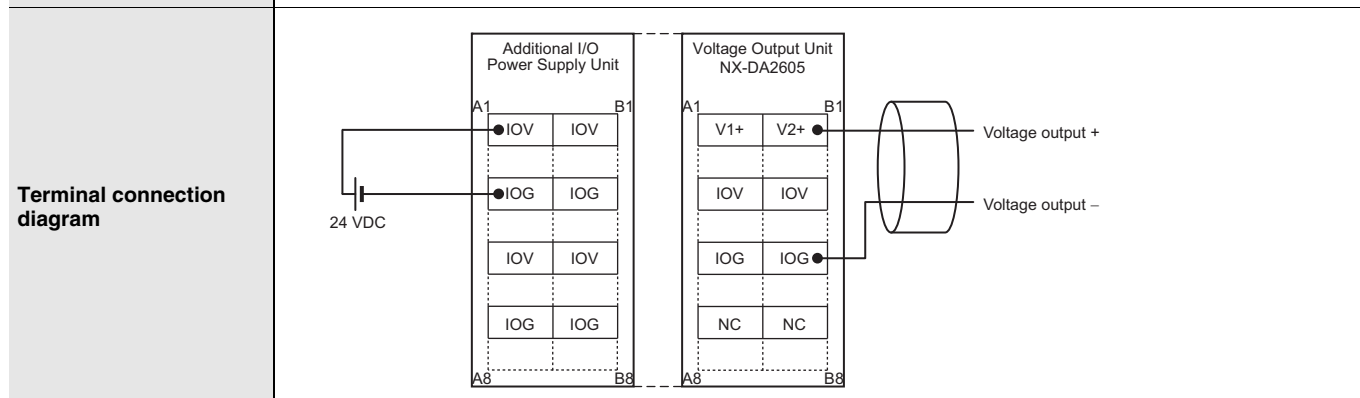


## Analog Output Unit (voltage output type) 2points NX-DA2605


|                                  |   |  |  |                    |
|----------------------------------|---|--|--|--------------------|
| <b>Unit name</b>                 | Analog Output Unit (voltage output type)  | <b>Model</b>   | NX-DA2605  |                    |
| <b>Capacity</b>                  | 2 points  | <b>External connection terminals</b>                 | Screwless clamping terminal block (8 terminals)  |                    |
| <b>I/O refreshing method</b>     | Selectable Synchronous I/O refreshing or Free-Run refreshing                                      |  |  |                    |
| <b>Indicator</b>                 | TS indicator<br> | <b>Output range</b>                                  | -10 to +10 V   |                    |
|                                  |   | <b>Output conversion range</b>                       | -5 to 105% (full scale)  |                    |
|                                  |   | <b>Allowable load resistance</b>                     | 5 kΩ min.  |                    |
|                                  |   | <b>Output impedance</b>                              | 0.5 Ω max.   |                    |
|                                  |   | <b>Resolution</b>                                    | 1/30000 (full scale)   |                    |
|                                  |   | <b>Overall accuracy</b>                              | 25°C   | ±0.1% (full scale) |
|                                  |   |  | 0 to 55°C  | ±0.3% (full scale) |
| <b>Conversion time</b>           | 10 μs/point   |  |  |                    |
| <b>Dimensions</b>                | 12 (W) x 100 (H) x 71 (D)   | <b>Isolation method</b>                              | Between the input and the NX bus: Power = Transformer, Signal = Digital isolator (no isolation between inputs) |                    |
| <b>Insulation resistance</b>     | 20 MΩ min. between isolated circuits (at 100 VDC)   | <b>Dielectric strength</b>                           | 510 VAC between isolated circuits for 1 minute at a leakage current of 5 mA max.                               |                    |
| <b>I/O power supply method</b>   | Supply from the NX bus  | <b>Current capacity of I/O power supply terminal</b> | IOV: 0.1 A/terminal max.,<br>IOG: 0.1 A/terminal max.  |                    |
| <b>NX Unit power consumption</b> | 1.10 W max.   | <b>I/O current consumption</b>                       | No consumption   |                    |
| <b>Weight</b>                    | 70 g max.   |  |  |                    |

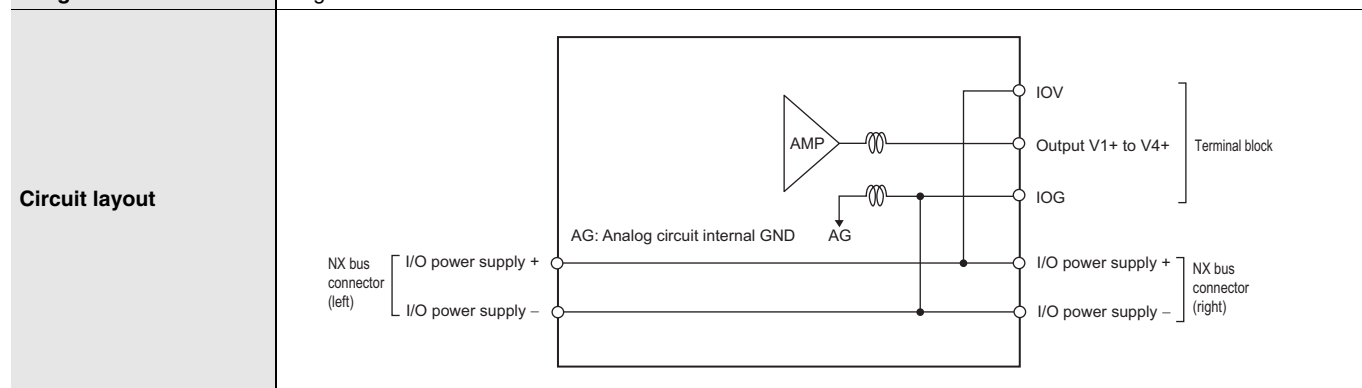


**Installation orientation and restrictions**  
 Installation orientation: Possible in 6 orientations.  
 Restrictions: No restrictions

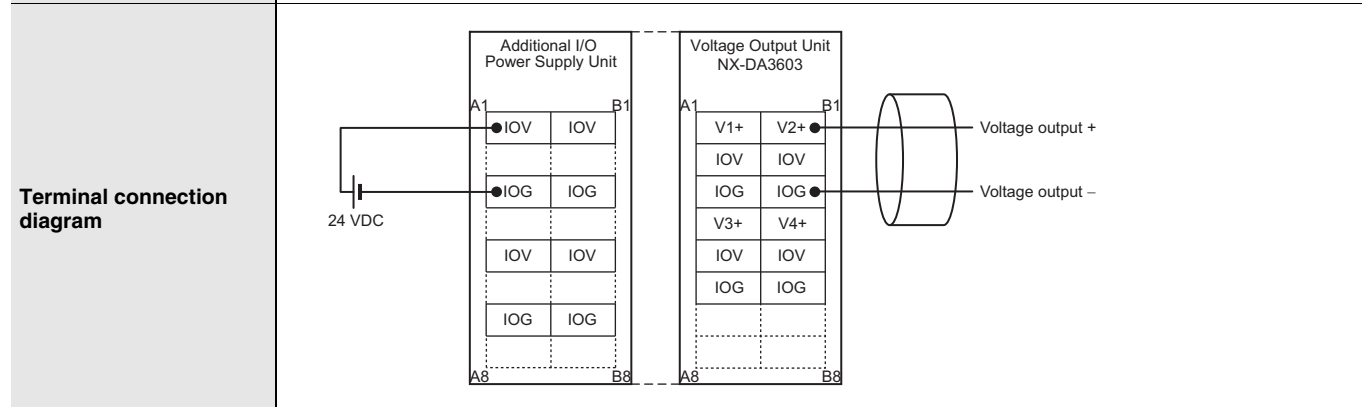


### Analog Output Unit (voltage output type) 4points NX-DA3603


|                                  |   |  |  |                    |
|----------------------------------|---|--|--|--------------------|
| <b>Unit name</b>                 | Analog Output Unit (voltage output type)  | <b>Model</b>   | NX-DA3603  |                    |
| <b>Capacity</b>                  | 4 points  | <b>External connection terminals</b>                 | Screwless clamping terminal block (12 terminals)   |                    |
| <b>I/O refreshing method</b>     | Free-Run refreshing   |  |  |                    |
| <b>Indicator</b>                 | TS indicator<br> | <b>Output range</b>                                  | -10 to +10 V   |                    |
|                                  |   | <b>Output conversion range</b>                       | -5 to 105% (full scale)  |                    |
|                                  |   | <b>Allowable load resistance</b>                     | 5 kΩ min.  |                    |
|                                  |   | <b>Output impedance</b>                              | 0.5 Ω max.   |                    |
|                                  |   | <b>Resolution</b>                                    | 1/8000 (full scale)  |                    |
|                                  |   | <b>Overall accuracy</b>                              | 25°C   | ±0.3% (full scale) |
|                                  |   |  | 0 to 55°C  | ±0.5% (full scale) |
| <b>Conversion time</b>           | 250 μs/point  |  |  |                    |
| <b>Dimensions</b>                | 12 (W) x 100 (H) x 71 (D)   | <b>Isolation method</b>                              | Between the input and the NX bus: Power = Transformer, Signal = Digital isolator (no isolation between inputs) |                    |
| <b>Insulation resistance</b>     | 20 MΩ min. between isolated circuits (at 100 VDC)   | <b>Dielectric strength</b>                           | 510 VAC between isolated circuits for 1 minute at a leakage current of 5 mA max.                               |                    |
| <b>I/O power supply method</b>   | Supply from the NX bus  | <b>Current capacity of I/O power supply terminal</b> | IOV: 0.1 A/terminal max.,<br>IOG: 0.1 A/terminal max.  |                    |
| <b>NX Unit power consumption</b> | 1.25 W max.   | <b>I/O current consumption</b>                       | No consumption   |                    |
| <b>Weight</b>                    | 70 g max.   |  |  |                    |

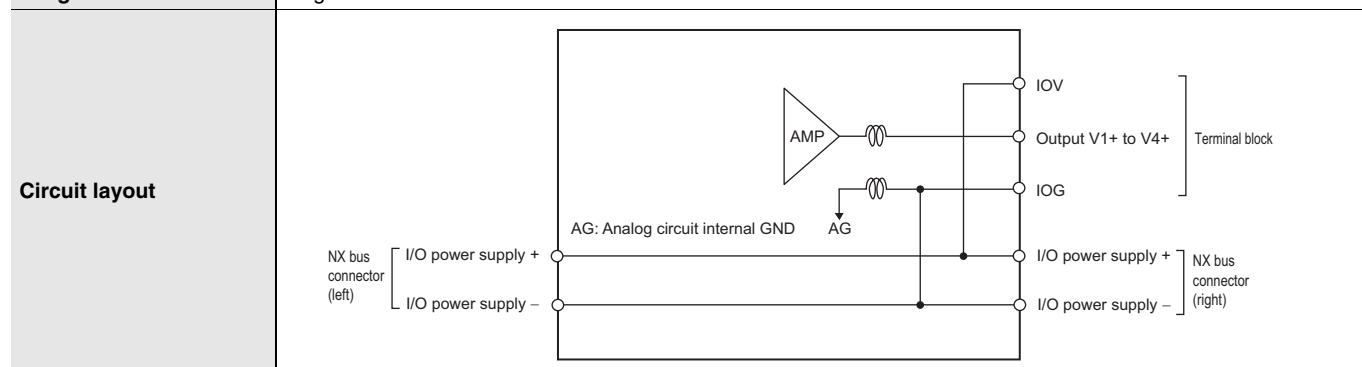


**Installation orientation and restrictions**  
 Installation orientation: Possible in 6 orientations.  
 Restrictions: No restrictions

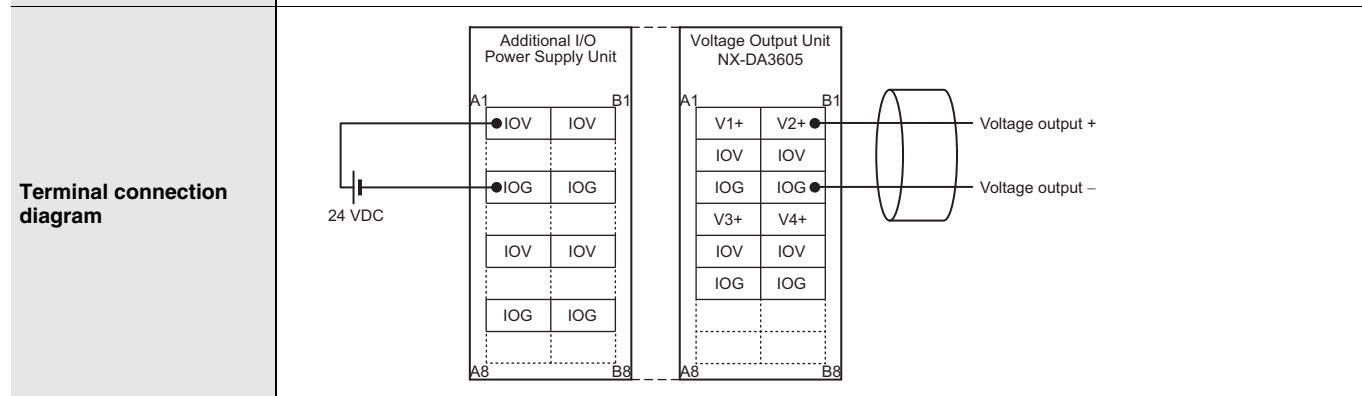


### Analog Output Unit (voltage output type) 4points NX-DA3605

|                                  |   |  |  |                    |
|----------------------------------|---|--|--|--------------------|
| <b>Unit name</b>                 | Analog Output Unit (voltage output type)  | <b>Model</b>   | NX-DA3605  |                    |
| <b>Capacity</b>                  | 4 points  | <b>External connection terminals</b>                 | Screwless clamping terminal block (12 terminals)   |                    |
| <b>I/O refreshing method</b>     | Selectable Synchronous I/O refreshing or Free-Run refreshing                      |  |  |                    |
| <b>Indicator</b>                 |  | <b>Output range</b>                                  | -10 to +10 V   |                    |
|                                  |   | <b>Output conversion range</b>                       | -5 to 105% (full scale)  |                    |
|                                  |   | <b>Allowable load resistance</b>                     | 5 kΩ min.  |                    |
|                                  |   | <b>Output impedance</b>                              | 0.5 Ω max.   |                    |
|                                  |   | <b>Resolution</b>                                    | 1/30000 (full scale)   |                    |
|                                  |   | <b>Overall accuracy</b>                              | 25°C   | ±0.1% (full scale) |
|                                  |   |  | 0 to 55°C  | ±0.3% (full scale) |
| <b>Conversion time</b>           | 10 μs/point   |  |  |                    |
| <b>Dimensions</b>                | 12 (W) x 100 (H) x 71 (D)   | <b>Isolation method</b>                              | Between the input and the NX bus: Power = Transformer, Signal = Digital isolator (no isolation between inputs) |                    |
| <b>Insulation resistance</b>     | 20 MΩ min. between isolated circuits (at 100 VDC)                                 | <b>Dielectric strength</b>                           | 510 VAC between isolated circuits for 1 minute at a leakage current of 5 mA max.                               |                    |
| <b>I/O power supply method</b>   | Supply from the NX bus  | <b>Current capacity of I/O power supply terminal</b> | IOV: 0.1 A/terminal max., IOG: 0.1 A/terminal max.   |                    |
| <b>NX Unit power consumption</b> | 1.25 W max.   | <b>I/O current consumption</b>                       | No consumption   |                    |
| <b>Weight</b>                    | 70 g max.   |  |  |                    |




**Installation orientation and restrictions**  
 Installation orientation: Possible in 6 orientations.  
 Restrictions: No restrictions

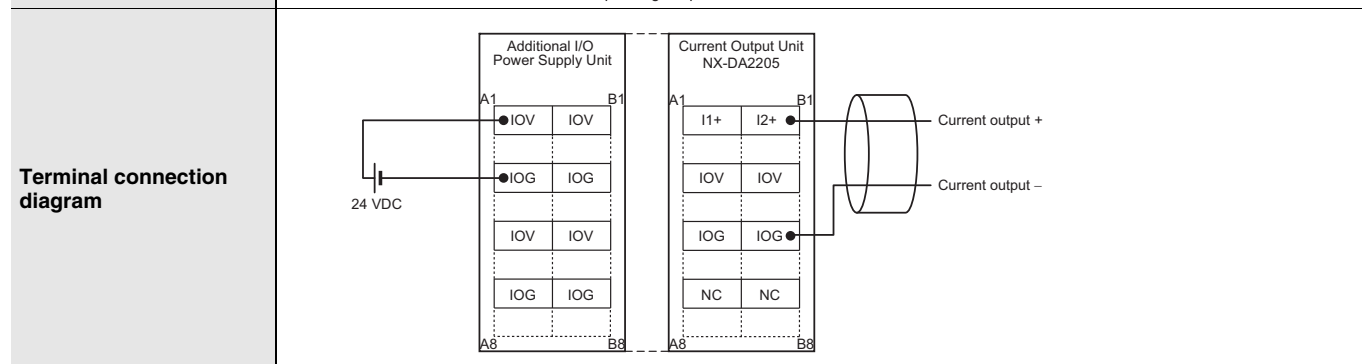
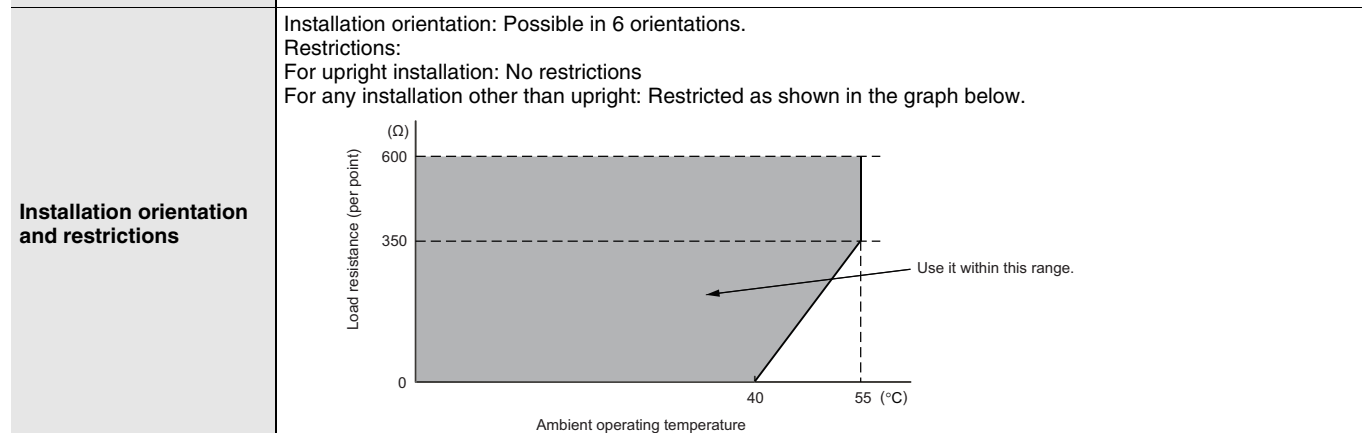
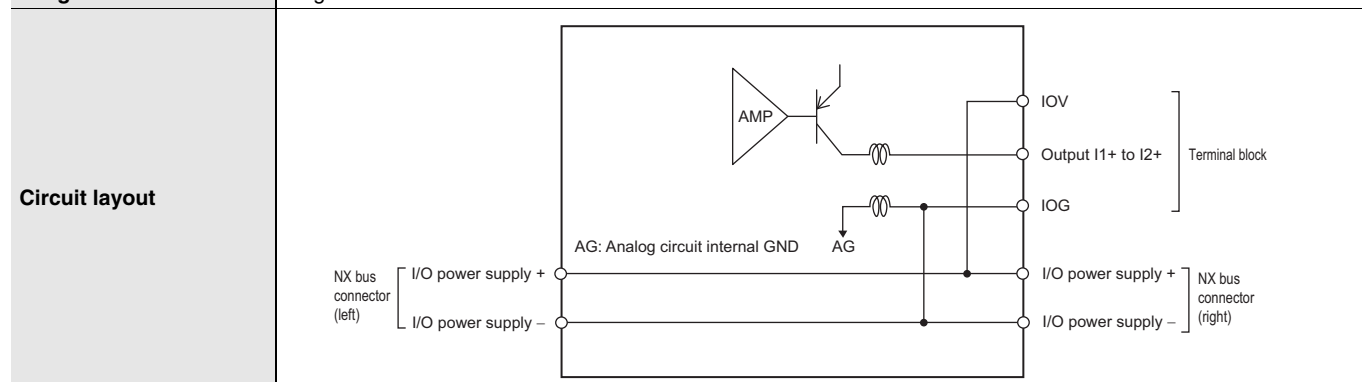







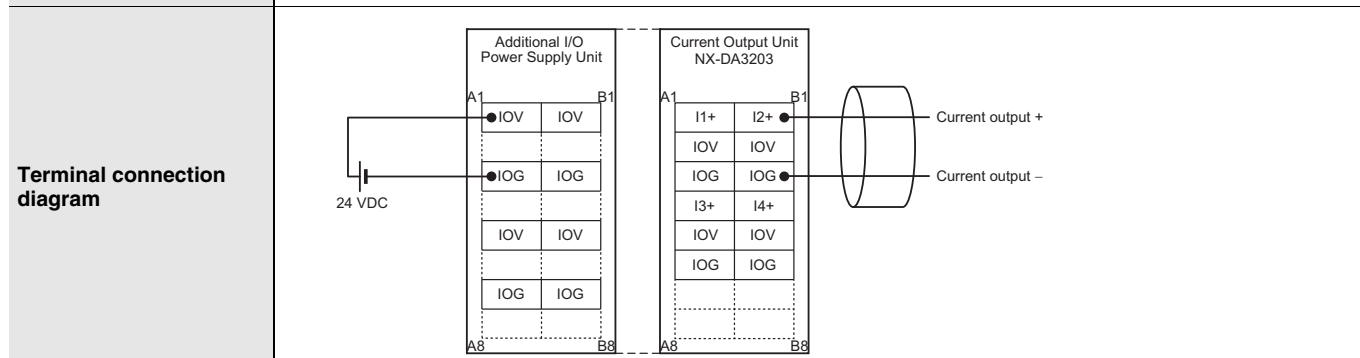
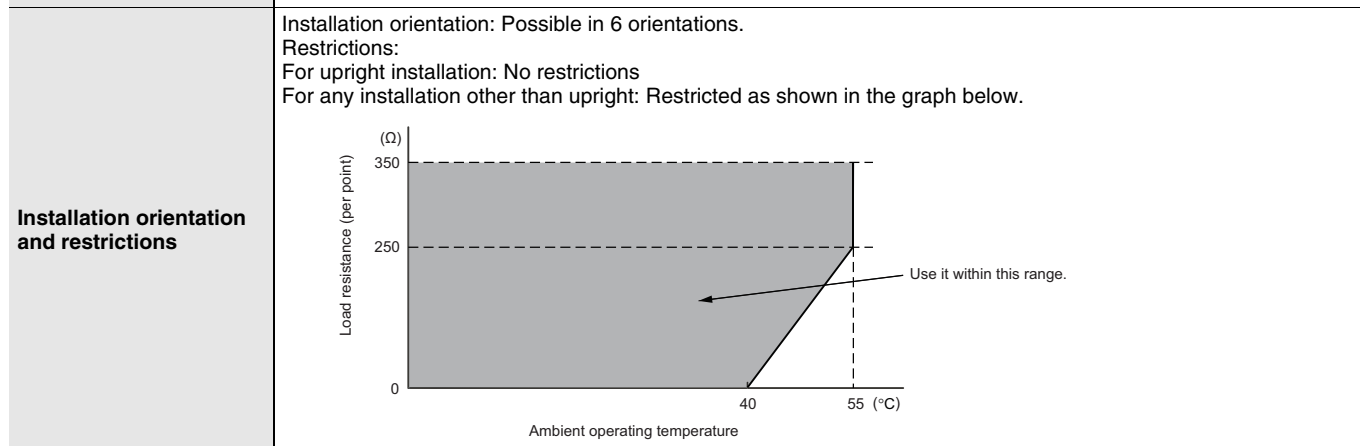
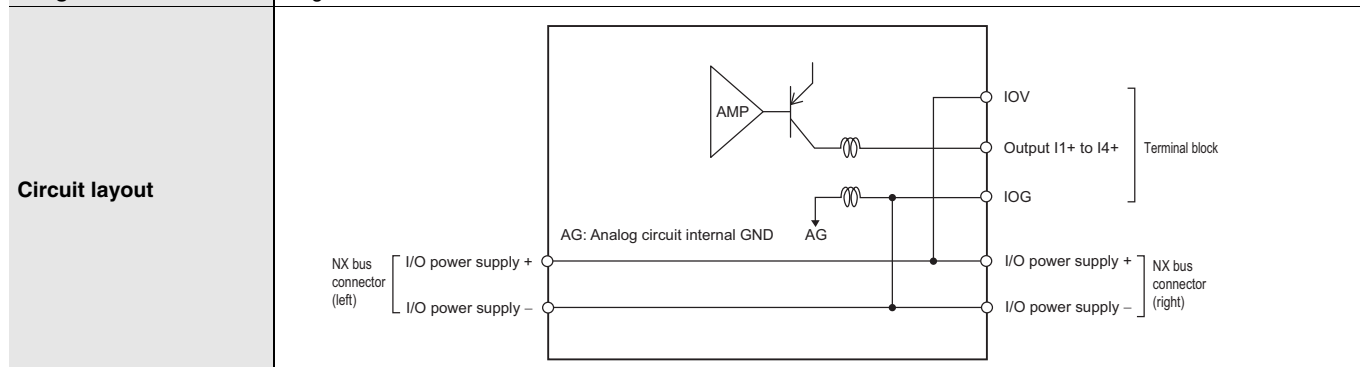
## Analog Output Unit (current output type) 2points NX-DA2205

|                                  |   |  |  |                    |
|----------------------------------|---|--|--|--------------------|
| <b>Unit name</b>                 | Analog Output Unit (current output type)  | <b>Model</b>   | NX-DA2205  |                    |
| <b>Capacity</b>                  | 2 points  | <b>External connection terminals</b>                 | Screwless clamping terminal block (8 terminals)  |                    |
| <b>I/O refreshing method</b>     | Selectable Synchronous I/O refreshing or Free-Run refreshing                      |  |  |                    |
| <b>Indicator</b>                 |  | <b>Output range</b>                                  | 4 to 20 mA   |                    |
|                                  |   | <b>Output conversion range</b>                       | -5 to 105% (full scale)  |                    |
|                                  |   | <b>Allowable load resistance</b>                     | 600 Ω min.   |                    |
|                                  |   | <b>Resolution</b>                                    | 1/30000 (full scale)   |                    |
|                                  |   | <b>Overall accuracy</b>                              | 25°C   | ±0.1% (full scale) |
|                                  |   |  | 0 to 55°C  | ±0.3% (full scale) |
| <b>Conversion time</b>           | 10 μs/point   |  |  |                    |
| <b>Dimensions</b>                | 12 (W) x 100 (H) x 71 (D)   | <b>Isolation method</b>                              | Between the input and the NX bus: Power = Transformer, Signal = Digital isolator (no isolation between inputs) |                    |
| <b>Insulation resistance</b>     | 20 MΩ min. between isolated circuits (at 100 VDC)                                 | <b>Dielectric strength</b>                           | 510 VAC between isolated circuits for 1 minute at a leakage current of 5 mA max.                               |                    |
| <b>I/O power supply method</b>   | Supply from the NX bus  | <b>Current capacity of I/O power supply terminal</b> | IOV: 0.1 A/terminal max.,<br>IOG: 0.1 A/terminal max.  |                    |
| <b>NX Unit power consumption</b> | 1.75 W max.   | <b>I/O current consumption</b>                       | No consumption   |                    |
| <b>Weight</b>                    | 70 g max.   |  |  |                    |




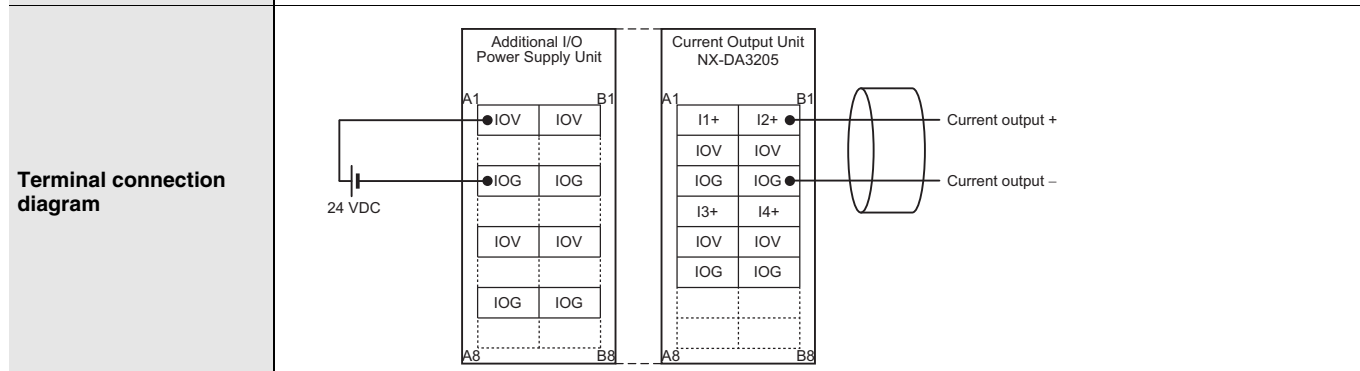
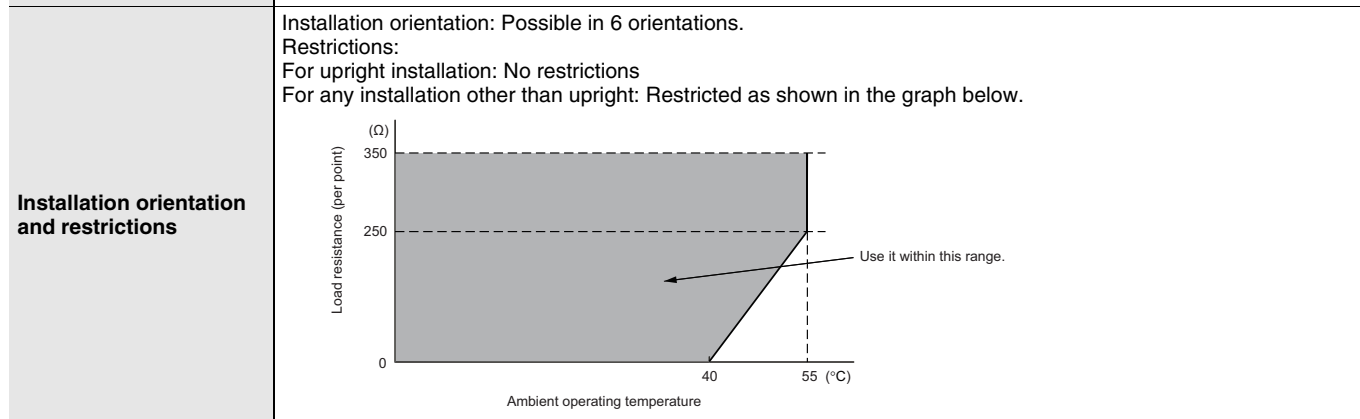
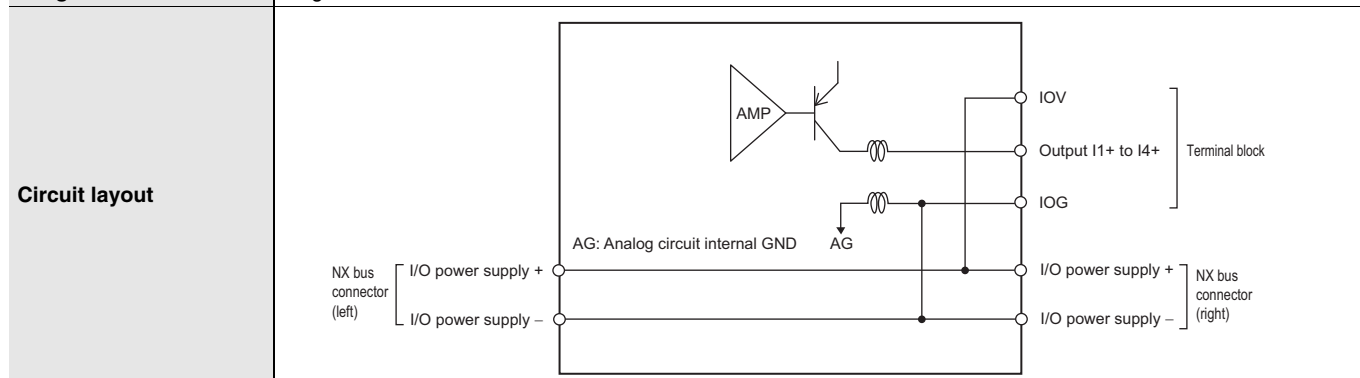
## Analog Output Unit (current output type) 4points NX-DA3203

|                                  |   |  |  |                    |
|----------------------------------|---|--|--|--------------------|
| <b>Unit name</b>                 | Analog Output Unit (current output type)  | <b>Model</b>   | NX-DA3203  |                    |
| <b>Capacity</b>                  | 4 points  | <b>External connection terminals</b>                 | Screwless clamping terminal block (12 terminals)   |                    |
| <b>I/O refreshing method</b>     | Free-Run refreshing   |  |  |                    |
| <b>Indicator</b>                 | TS indicator<br> | <b>Output range</b>                                  | 4 to 20 mA   |                    |
|                                  |   | <b>Output conversion range</b>                       | -5 to 105% (full scale)  |                    |
|                                  |   | <b>Allowable load resistance</b>                     | 350 Ω min.   |                    |
|                                  |   | <b>Resolution</b>                                    | 1/8000 (full scale)  |                    |
|                                  |   | <b>Overall accuracy</b>                              | 25°C   | ±0.3% (full scale) |
|                                  |   |  | 0 to 55°C  | ±0.6% (full scale) |
| <b>Conversion time</b>           | 250 μs/point  |  |  |                    |
| <b>Dimensions</b>                | 12 (W) x 100 (H) x 71 (D)   | <b>Isolation method</b>                              | Between the input and the NX bus: Power = Transformer, Signal = Digital isolator (no isolation between inputs) |                    |
| <b>Insulation resistance</b>     | 20 MΩ min. between isolated circuits (at 100 VDC)   | <b>Dielectric strength</b>                           | 510 VAC between isolated circuits for 1 minute at a leakage current of 5 mA max.                               |                    |
| <b>I/O power supply method</b>   | Supply from the NX bus  | <b>Current capacity of I/O power supply terminal</b> | IOV: 0.1 A/terminal max.,<br>IOG: 0.1 A/terminal max.  |                    |
| <b>NX Unit power consumption</b> | 1.80 W max.   | <b>I/O current consumption</b>                       | No consumption   |                    |
| <b>Weight</b>                    | 70 g max.   |  |  |                    |



## Analog Output Unit (current output type) 4points NX-DA3205

|                                  |   |  |  |                    |
|----------------------------------|---|--|--|--------------------|
| <b>Unit name</b>                 | Analog Output Unit (current output type)  | <b>Model</b>   | NX-DA3205  |                    |
| <b>Capacity</b>                  | 4 points  | <b>External connection terminals</b>                 | Screwless clamping terminal block (12 terminals)   |                    |
| <b>I/O refreshing method</b>     | Selectable Synchronous I/O refreshing or Free-Run refreshing                                      |  |  |                    |
| <b>Indicator</b>                 | TS indicator<br> | <b>Output range</b>                                  | 4 to 20 mA   |                    |
|                                  |   | <b>Output conversion range</b>                       | -5 to 105% (full scale)  |                    |
|                                  |   | <b>Allowable load resistance</b>                     | 350 Ω min.   |                    |
|                                  |   | <b>Resolution</b>                                    | 1/30000 (full scale)   |                    |
|                                  |   | <b>Overall accuracy</b>                              | 25°C   | ±0.1% (full scale) |
|                                  |   |  | 0 to 55°C  | ±0.3% (full scale) |
| <b>Conversion time</b>           | 10 μs/point   |  |  |                    |
| <b>Dimensions</b>                | 12 (W) x 100 (H) x 71 (D)   | <b>Isolation method</b>                              | Between the input and the NX bus: Power = Transformer, Signal = Digital isolator (no isolation between inputs) |                    |
| <b>Insulation resistance</b>     | 20 MΩ min. between isolated circuits (at 100 VDC)   | <b>Dielectric strength</b>                           | 510 VAC between isolated circuits for 1 minute at a leakage current of 5 mA max.                               |                    |
| <b>I/O power supply method</b>   | Supply from the NX bus  | <b>Current capacity of I/O power supply terminal</b> | IOV: 0.1 A/terminal max.,<br>IOG: 0.1 A/terminal max.  |                    |
| <b>NX Unit power consumption</b> | 1.80 W max.   | <b>I/O current consumption</b>                       | No consumption   |                    |
| <b>Weight</b>                    | 70 g max.   |  |  |                    |



## Version Information

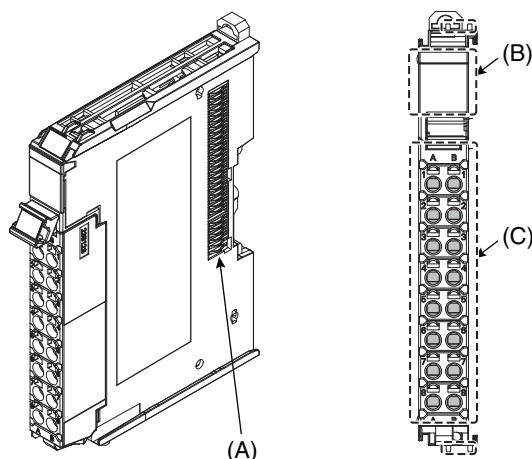
| NX Unit   |              | Corresponding unit versions/versions         |  |                        |
|-----------|--------------|--|--|------------------------|
| Model     | Unit Version | EtherCAT Coupler Units<br>NX-ECC201/ECC202 * | NJ-series CPU Units<br>NJ501-□□□□/NJ301-□□□□ | Sysmac Studio          |
| NX-DA□□□□ | Ver.1.0      | Version 1.0 or later                         | Version 1.05 or later                        | Version 1.06 or higher |

\* For the NX-ECC202, there is no unit version of 1.1 or earlier.

## External Interface

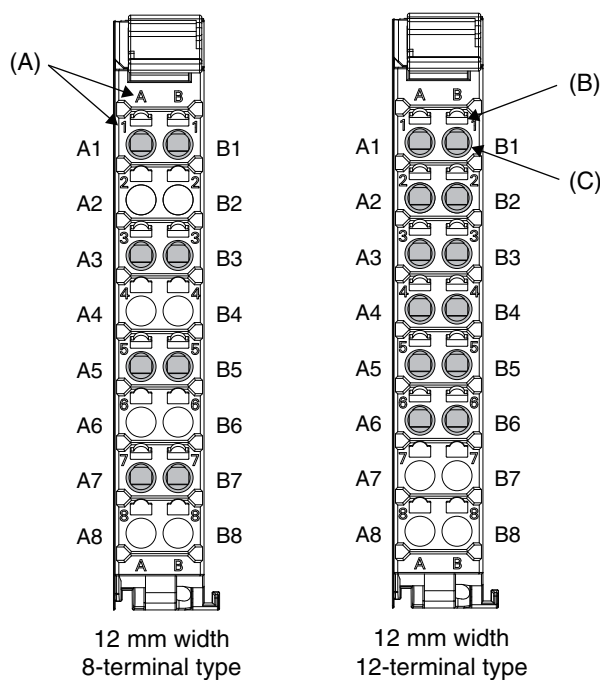
### Analog Output Unit

NX-DA□□□□  
12mm Width



| Symbol | Name             | Function  |
|--------|------------------|---|
| (A)    | NX bus connector | This connector is used to connect each Unit.  |
| (B)    | Indicators       | The indicators show the current operating status of the Unit.   |
| (C)    | Terminal block   | The terminal block is used to connect external devices.<br>The number of terminals depends on the type of Unit. |

### Terminal Blocks



12 mm width  
8-terminal type

12 mm width  
12-terminal type

| Symbol | Name                        | Function  |
|--------|-----------------------------|---|
| (A)    | Terminal number indications | Terminal numbers for which A to D indicate the column, and 1 to 8 indicate the line are displayed. The terminal number is a combination of column and line, so A1 to A8 and B1 to B8 are displayed. The terminal number indications are the same regardless of the number of terminals on the terminal block. |
| (B)    | Release holes               | Insert a flat-blade screwdriver into these holes to connect and remove the wires.   |
| (C)    | Terminal holes              | The wires are inserted into these holes.  |

### Applicable Terminal Blocks for Each Unit Model

| Unit model | Terminal Blocks |                  |                             |                      |                           |
|------------|-----------------|------------------|-----------------------------|----------------------|---------------------------|
|            | Model           | No. of terminals | Terminal number indications | Ground terminal mark | Terminal current capacity |
| NX-DA2□□□  | NX-TBA082       | 8                | A/B                         | None                 | 10 A                      |
| NX-DA3□□□  | NX-TBA122       | 12               | A/B                         | None                 | 10 A                      |

### Applicable Wires

#### Using Ferrules

If you use ferrules, attach the twisted wires to them.

Observe the application instructions for your ferrules for the wire stripping length when attaching ferrules.

Always use one-pin ferrules. Do not use two-pin ferrules.

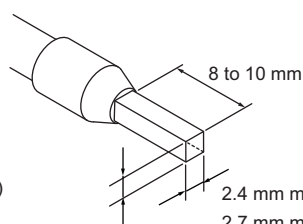
The applicable ferrules, wires, and crimping tool are given in the following table.

| Terminal types                        | Manufacturer    | Ferrule model number | Applicable wire (mm <sup>2</sup> (AWG)) | Crimping tool  |
|---------------------------------------|-----------------|----------------------|---|--|
| Terminals other than ground terminals | Phoenix Contact | AI0,34-8             | 0.34 (#22)                              | Phoenix Contact (The figure in parentheses is the applicable wire size.)<br>CRIMPFOX 6 (0.25 to 6 mm <sup>2</sup> , AWG24 to 10) |
|                                       |                 | AI0,5-8              | 0.5 (#20)                               |  |
|                                       |                 | AI0,5-10             |   |  |
|                                       |                 | AI0,75-8             | 0.75 (#18)                              |  |
|                                       |                 | AI0,75-10            |   |  |
|                                       |                 | AI1,0-8              | 1.0 (#18)                               |  |
|                                       |                 | AI1,0-10             |   |  |
|                                       |                 | AI1,5-8              | 1.5 (#16)                               |  |
| Ground terminals                      |                 | AI1,5-10             |   |  |
|                                       |                 | AI2,5-10             | 2.0 *                                   |  |
| Terminals other than ground terminals | Weidmuller      | H0.14/12             | 0.14 (#26)                              | Weidmuller (The figure in parentheses is the applicable wire size.)<br>PZ6 Roto (0.14 to 6 mm <sup>2</sup> , AWG 26 to 10)       |
|                                       |                 | H0.25/12             | 0.25 (#24)                              |  |
|                                       |                 | H0.34/12             | 0.34 (#22)                              |  |
|                                       |                 | H0.5/14              | 0.5 (#20)                               |  |
|                                       |                 | H0.5/16              |   |  |
|                                       |                 | H0.75/14             | 0.75 (#18)                              |  |
|                                       |                 | H0.75/16             |   |  |
|                                       |                 | H1.0/14              | 1.0 (#18)                               |  |
|                                       |                 | H1.0/16              |   |  |
|                                       |                 | H1.5/14              | 1.5 (#16)                               |  |
|                                       |                 | H1.5/16              |   |  |

\* Some AWG 14 wires exceed 2.0 mm<sup>2</sup> and cannot be used in the screwless clamping terminal block.

When you use any ferrules other than those in the above table, crimp them to the twisted wires so that the following processed dimensions are achieved.

Finished Dimensions of Ferrules



1.6 mm max. (except ground terminals)

2.0 mm max. (ground terminals)

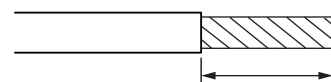
2.4 mm max. (except ground terminals)

2.7 mm max. (ground terminals)

#### Using Twisted Wires/Solid Wires

If you use the twisted wires or the solid wires, the applicable wire range and conductor length (stripping length) are as follows.

| Terminal types                        | Applicable wires                           | Conductor length (stripping length) |
|---------------------------------------|--|-------------------------------------|
| Ground terminals                      | 2.0 mm <sup>2</sup>                        | 9 to 10 mm                          |
| Terminals other than ground terminals | 0.08 to 1.5 mm <sup>2</sup><br>AWG28 to 16 | 8 to 10 mm                          |



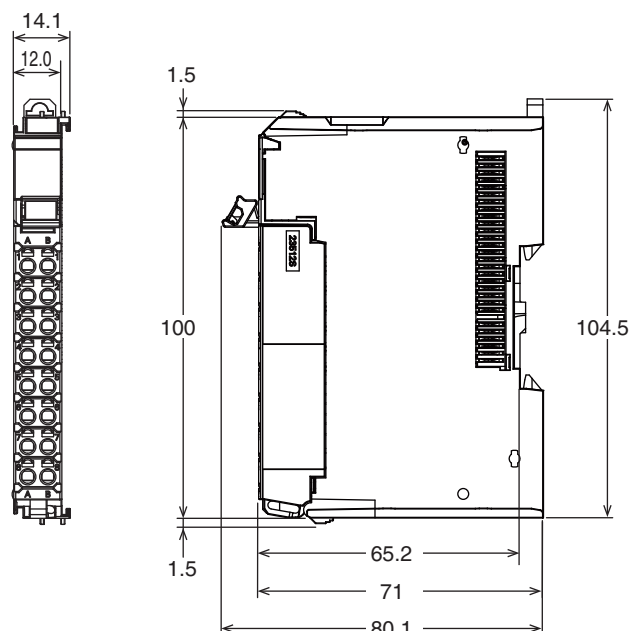
Conductor length (stripping length)

## Dimensions

### Analog Output Unit

NX-DA□□□□

12 mm Width



## Related Manuals

| Cat. No. | Model number                        | Manual name                              | Application  | Description   |
|----------|-------------------------------------|--|--|---|
| W522     | NX-AD□□□□<br>NX-DA□□□□<br>NX-TS□□□□ | NX-series Analog I/O Units User's Manual | Learning how to use NX-series Analog I/O Units and Temperature Input Units | The hardware, setup methods, and functions of the NX-series Analog I/O Units and Temperature Input Units are described. |

## Terms and Conditions Agreement

### Read and understand this catalog.

Please read and understand this catalog before purchasing the products. Please consult your OMRON representative if you have any questions or comments.

### Warranties.

(a) Exclusive Warranty. Omron's exclusive warranty is that the Products will be free from defects in materials and workmanship for a period of twelve months from the date of sale by Omron (or such other period expressed in writing by Omron). Omron disclaims all other warranties, express or implied.

(b) Limitations. OMRON MAKES NO WARRANTY OR REPRESENTATION, EXPRESS OR IMPLIED, ABOUT NON-INFRINGEMENT, MERCHANTABILITY OR FITNESS FOR A PARTICULAR PURPOSE OF THE PRODUCTS. BUYER ACKNOWLEDGES THAT IT ALONE HAS DETERMINED THAT THE PRODUCTS WILL SUITABLY MEET THE REQUIREMENTS OF THEIR INTENDED USE.

Omron further disclaims all warranties and responsibility of any type for claims or expenses based on infringement by the Products or otherwise of any intellectual property right. (c) Buyer Remedy. Omron's sole obligation hereunder shall be, at Omron's election, to (i) replace (in the form originally shipped with Buyer responsible for labor charges for removal or replacement thereof) the non-complying Product, (ii) repair the non-complying Product, or (iii) repay or credit Buyer an amount equal to the purchase price of the non-complying Product; provided that in no event shall Omron be responsible for warranty, repair, indemnity or any other claims or expenses regarding the Products unless Omron's analysis confirms that the Products were properly handled, stored, installed and maintained and not subject to contamination, abuse, misuse or inappropriate modification. Return of any Products by Buyer must be approved in writing by Omron before shipment. Omron Companies shall not be liable for the suitability or unsuitability or the results from the use of Products in combination with any electrical or electronic components, circuits, system assemblies or any other materials or substances or environments. Any advice, recommendations or information given orally or in writing, are not to be construed as an amendment or addition to the above warranty.

See <http://www.omron.com/global/> or contact your Omron representative for published information.

### Limitation on Liability; Etc.

OMRON COMPANIES SHALL NOT BE LIABLE FOR SPECIAL, INDIRECT, INCIDENTAL, OR CONSEQUENTIAL DAMAGES, LOSS OF PROFITS OR PRODUCTION OR COMMERCIAL LOSS IN ANY WAY CONNECTED WITH THE PRODUCTS, WHETHER SUCH CLAIM IS BASED IN CONTRACT, WARRANTY, NEGLIGENCE OR STRICT LIABILITY.

Further, in no event shall liability of Omron Companies exceed the individual price of the Product on which liability is asserted.

### Suitability of Use.

Omron Companies shall not be responsible for conformity with any standards, codes or regulations which apply to the combination of the Product in the Buyer's application or use of the Product. At Buyer's request, Omron will provide applicable third party certification documents identifying ratings and limitations of use which apply to the Product. This information by itself is not sufficient for a complete determination of the suitability of the Product in combination with the end product, machine, system, or other application or use. Buyer shall be solely responsible for determining appropriateness of the particular Product with respect to Buyer's application, product or system. Buyer shall take application responsibility in all cases.

NEVER USE THE PRODUCT FOR AN APPLICATION INVOLVING SERIOUS RISK TO LIFE OR PROPERTY OR IN LARGE QUANTITIES WITHOUT ENSURING THAT THE SYSTEM AS A WHOLE HAS BEEN DESIGNED TO ADDRESS THE RISKS, AND THAT THE OMRON PRODUCT(S) IS PROPERLY RATED AND INSTALLED FOR THE INTENDED USE WITHIN THE OVERALL EQUIPMENT OR SYSTEM.

### Programmable Products.

Omron Companies shall not be responsible for the user's programming of a programmable Product, or any consequence thereof.

### Performance Data.

Data presented in Omron Company websites, catalogs and other materials is provided as a guide for the user in determining suitability and does not constitute a warranty. It may represent the result of Omron's test conditions, and the user must correlate it to actual application requirements. Actual performance is subject to the Omron's Warranty and Limitations of Liability.

### Change in Specifications.

Product specifications and accessories may be changed at any time based on improvements and other reasons. It is our practice to change part numbers when published ratings or features are changed, or when significant construction changes are made. However, some specifications of the Product may be changed without any notice. When in doubt, special part numbers may be assigned to fix or establish key specifications for your application. Please consult with your Omron's representative at any time to confirm actual specifications of purchased Product.

### Errors and Omissions.

Information presented by Omron Companies has been checked and is believed to be accurate; however, no responsibility is assumed for clerical, typographical or proofreading errors or omissions.

2013.9

In the interest of product improvement, specifications are subject to change without notice.

**OMRON Corporation**  
Industrial Automation Company

<http://www.ia.omron.com/>

(c)Copyright OMRON Corporation 2013 All Right Reserved.

# Mouser Electronics

Authorized Distributor

Click to View Pricing, Inventory, Delivery & Lifecycle Information:

Omron:

[NX-DA2203](#) [NX-DA3603](#) [NX-DA2603](#) [NX-DA2605](#) [NX-DA3205](#) [NX-DA3203](#) [NX-DA3605](#) [NX-DA2205](#) [NX-AUX02](#)



Компания «Life Electronics» занимается поставками электронных компонентов импортного и отечественного производства от производителей и со складов крупных дистрибьюторов Европы, Америки и Азии.

С конца 2013 года компания активно расширяет линейку поставок компонентов по направлению коаксиальный кабель, кварцевые генераторы и конденсаторы (керамические, пленочные, электролитические), за счёт заключения дистрибьюторских договоров

Мы предлагаем:

- Конкурентоспособные цены и скидки постоянным клиентам.
- Специальные условия для постоянных клиентов.
- Подбор аналогов.
- Поставку компонентов в любых объемах, удовлетворяющих вашим потребностям.
- Приемлемые сроки поставки, возможна ускоренная поставка.
- Доставку товара в любую точку России и стран СНГ.
- Комплексную поставку.
- Работу по проектам и поставку образцов.
- Формирование склада под заказчика.
- Сертификаты соответствия на поставляемую продукцию (по желанию клиента).
- Тестирование поставляемой продукции.
- Поставку компонентов, требующих военную и космическую приемку.
- Входной контроль качества.
- Наличие сертификата ISO.

В составе нашей компании организован Конструкторский отдел, призванный помогать разработчикам, и инженерам.

Конструкторский отдел помогает осуществить:

- Регистрацию проекта у производителя компонентов.
- Техническую поддержку проекта.
- Защиту от снятия компонента с производства.
- Оценку стоимости проекта по компонентам.
- Изготовление тестовой платы монтаж и пусконаладочные работы.



Тел: +7 (812) 336 43 04 (многоканальный)

Email: [org@lifeelectronics.ru](mailto:org@lifeelectronics.ru)