

3M™ HIGH ROUTABILITY INTERNAL SATA CABLE ASSEMBLY

| REVISION RECORD | | |
|-----------------|----------------------------|----------|
| REV. | ECR/ECN/ECO NUMBER | DATE |
| A | ECO-0037492 | 05/09/11 |
| B | ECO-0042030 | 13/07/12 |
| C | ECO-0043801, CABLE P/N CHG | 31/12/12 |



- NOTES :
- Regulatory Information.
RoHs compliant, See the regulatory information appendix(RIA) in the "RoHs compliance" section of WWW.3Mconnectors.com compliance information (RIA E1 & C1 apply)
 - For custom cable length, contact 3M sales rep.
 - Cable part number : SL8803/04-10DN5-00
 - Product Specification: PS-0117.
 - This cable construction has a thin aluminum layer at each edge. User should evaluate its use in their application and, if necessary, insulating tape may be applied to cover the aluminum layer, as User deems appropriate
 - PVC overmoulding and PE Inner moulding at both ends.
 - Product meets SATA 3.0 signal integrity specifications.

PART NUMBER SELECTION

5602-11-0142A-XXX
Length in mm,000 refers to 1000mm.

| 3M PART NO. | L(MM) |
|-------------------|-------|
| 5602-11-0142A-100 | 100 |
| 5602-11-0142A-200 | 200 |
| 5602-11-0142A-300 | 300 |
| 5602-11-0142A-400 | 400 |
| 5602-11-0142A-500 | 500 |
| 5602-11-0142A-600 | 600 |
| 5602-11-0142A-700 | 700 |
| 5602-11-0142A-800 | 800 |
| 5602-11-0142A-900 | 900 |
| 5602-11-0142A-000 | 1000 |

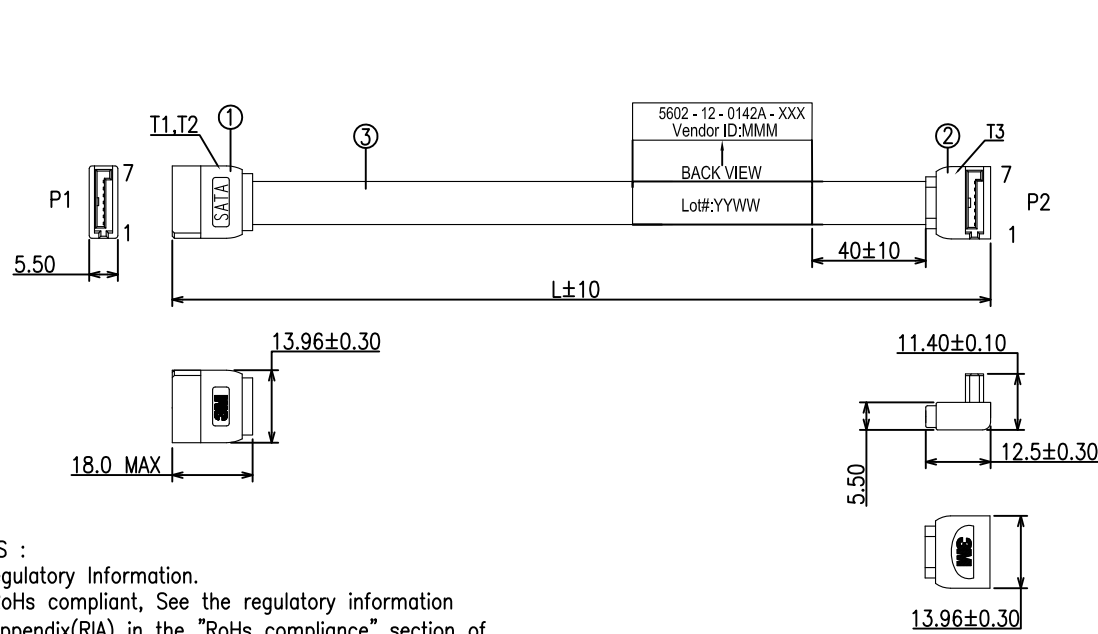
| PIN OUT | | | |
|---------|------|------|----|
| P1 | TYPE | TYPE | P2 |
| 1 | G | G | 1 |
| 2 | A+ | A+ | 2 |
| 3 | A- | A- | 3 |
| 4 | G | G | 4 |
| 5 | B- | B- | 5 |
| 6 | B+ | B+ | 6 |
| 7 | G | G | 7 |

| ITEM | SPECIFICATION | Q'TY | UNIT |
|------|--|------|------|
| 3 | CABLE : RIBBON TWIN AX , SL8803/04, UL AWM 21008,150V,80C SIGNAL -SILVER PLATED COPPER WITH 30 AWG. | 1 | PC |
| 2 | SATA CONN : 7P FEMALE 90° BLACK PBT30% 15*AU | 1 | PC |
| 1 | SATA CONN : 7P FEMALE 90° BLACK PBT30% 15*AU | 1 | PC |

| | | | | | | |
|--|---|---------------|---|----------------------------|--|------------|
| UNIT: MM | DFTG RAD VITTAPALLI | DATE 13/07/12 | 3M APAC INNOVATION CENTRE | DIVISION | ESD | STATUS |
| GEN. TOLERANCES | CHKD RAD VITTAPALLI | DATE 13/07/12 | | MODEL | | RELEASE |
| LINEAR .0 = ± 0.25 .00 = ± 0.15 .000 = ± 0.05 | APPVL ALAN ANG | DATE 13/07/12 | TITLE SATA 7 PIN RIBBON TWINAX CABLE ASSEMBLY RIGHT ANGLE TO RIGHT ANGLE W/O LATCH | | | |
| ANGLE ±1° | THIS DOCUMENT CONTAINS INFORMATION WHICH IS PROPRIETARY TO 3M COMPANY. NO REPRODUCTION OR PUBLICATION OF THIS DOCUMENT, IN WHOLE OR IN PART, SHALL BE MADE WITHOUT AUTHORIZATION FROM 3M. © 3M 2013. ALL RIGHTS RESERVED. | | SIZE A3 | DRAWING NO. 78-5100-4897-8 | REV C | |
| PROJECTION | INTERPRET PER ASME Y14.5M-1994 | | SCALE : NTS | DET LIST | <input type="checkbox"/> YES <input type="checkbox"/> NO | SHT 1 of 7 |
| | CRITICAL DIMENSION: ▲ | | | | | |

3M™ HIGH ROUTABILITY INTERNAL SATA CABLE ASSEMBLY

| REVISION RECORD | | |
|---------------------|--------------------|------|
| REV. | ECR/ECN/ECO NUMBER | DATE |
| REFER TO SHT 1 OF 7 | | |



NOTES :

- Regulatory Information.
RoHs compliant, See the regulatory information appendix(RIA) in the "RoHs compliance" section of WWW.3Mconnectors.com compliance information (RIA E1 & C1 apply)
- For custom cable length, contact 3M sales rep.
- Cable Part number: SL8803/04-10DN5-00
- Product Specification: PS-0117.
- This cable construction has a thin aluminum layer at each edge.
User should evaluate its use in their application and, if necessary, insulating tape may be applied to cover the aluminum layer, as User deems appropriate
- PVC overmoulding and PE Inner moulding at both ends.
- Product meets SATA 3.0 signal integrity specifications.

PART NUMBER SELECTION

5602-12-0142A-XXX
Length in mm,000 refers to 1000mm.

| 3M PART NO. | L(MM) |
|-------------------|-------|
| 5602-12-0142A-100 | 100 |
| 5602-12-0142A-200 | 200 |
| 5602-12-0142A-300 | 300 |
| 5602-12-0142A-400 | 400 |
| 5602-12-0142A-500 | 500 |
| 5602-12-0142A-600 | 600 |
| 5602-12-0142A-700 | 700 |
| 5602-12-0142A-800 | 800 |
| 5602-12-0142A-900 | 900 |
| 5602-12-0142A-000 | 1000 |

| PIN OUT | | | |
|---------|------|------|----|
| P1 | TYPE | TYPE | P2 |
| 1 | G | G | 1 |
| 2 | A+ | A+ | 2 |
| 3 | A- | A- | 3 |
| 4 | G | G | 4 |
| 5 | B- | B- | 5 |
| 6 | B+ | B+ | 6 |
| 7 | G | G | 7 |

| ITEM | SPECIFICATION | Q'TY | UNIT |
|------|---|------|------|
| 3 | CABLE : RIBBON TWIN AX , SL8803/04, UL AWM 21008,150V,80C SIGNAL -SILVER PLATED COPPER CONDUCTOR 30 AWG. | 1 | PC |
| 2 | SATA CONN : 7P FEMALE 90° BLACK PBT 30%GF 15*AU | 1 | PC |
| 1 | SATA CONN : 7P FEMALE 180° BLACK PBT 30%GF 15*AU | 1 | PC |

| | | | | | |
|--|---|---------------|---|---|----------------|
| UNIT: MM | DFTG RAD VITTAPALLI | DATE 13/07/12 | 3M APAC INNOVATION CENTRE | DIVISION ESD | STATUS RELEASE |
| GEN. TOLERANCES | CHKD RAD VITTAPALLI | DATE 13/07/12 | | MODEL | |
| LINEAR .0 = ± 0.25 .00 = ± 0.15 .000 = ± 0.05 | APPVL ALAN ANG | DATE 13/07/12 | TITLE SATA 7 PIN RIBBON TWINAX CABLE ASSEMBLY STRAIGHT TO RIGHT ANGLE W/O LATCH | | |
| ANGLE ±1° | THIS DOCUMENT CONTAINS INFORMATION WHICH IS PROPRIETARY TO 3M COMPANY. NO REPRODUCTION OR PUBLICATION OF THIS DOCUMENT, IN WHOLE OR IN PART, SHALL BE MADE WITHOUT AUTHORIZATION FROM 3M. © 3M 2013. ALL RIGHTS RESERVED. | | SIZE A3 | DRAWING NO. 78-5100-4897-8 | REV C |
| PROJECTION | INTERPRET PER ASME Y14.5M-1994 | | SCALE : NTS | DET LIST <input type="checkbox"/> YES <input type="checkbox"/> NO | SHT 2 of 7 |
| | CRITICAL DIMENSION: ▲ | | | | |

3M™ HIGH ROUTABILITY INTERNAL SATA CABLE ASSEMBLY

| REVISION RECORD | | |
|---------------------|--------------------|------|
| REV. | ECR/ECN/ECO NUMBER | DATE |
| REFER TO SHT 1 OF 7 | | |



NOTES :

- Regulatory Information.
RoHs compliant, See the regulatory information appendix(RIA) in the "RoHs compliance" section of WWW.3Mconnectors.com compliance information (RIA E1 & C1 apply)
- For custom cable length, contact 3M sales rep.
- Cable Part number : SL8803/04-10DN5-00
- Product Specification: PS-0117.
- This cable construction has a thin aluminum layer at each edge.
User should evaluate its use in their application and, if necessary, insulating tape may be applied to cover the aluminum layer, as User deems appropriate
- PVC overmoulding and PE Inner moulding at both ends.
- Product meets SATA 3.0 signal integrity specifications.

PART NUMBER SELECTION

5602-21-0142A-XXX
Length in mm,000 refers to 1000mm.

| 3M PART NO. | L(MM) |
|-------------------|-------|
| 5602-21-0142A-100 | 100 |
| 5602-21-0142A-200 | 200 |
| 5602-21-0142A-300 | 300 |
| 5602-21-0142A-400 | 400 |
| 5602-21-0142A-500 | 500 |
| 5602-21-0142A-600 | 600 |
| 5602-21-0142A-700 | 700 |
| 5602-21-0142A-800 | 800 |
| 5602-21-0142A-900 | 900 |
| 5602-21-0142A-000 | 1000 |

PIN OUT

| P1 | TYPE | TYPE | P2 |
|----|------|------|----|
| 1 | G | G | 1 |
| 2 | A+ | A+ | 2 |
| 3 | A- | A- | 3 |
| 4 | G | G | 4 |
| 5 | B- | B- | 5 |
| 6 | B+ | B+ | 6 |
| 7 | G | G | 7 |

| ITEM | SPECIFICATION | Q'TY | UNIT |
|------|---|------|------|
| 3 | CABLE : RIBBON TWIN AX , SL8803/04, UL AWM 21008,150V,80C SIGNAL -SILVER PLATED COPPER CONDUCTOR 30 AWG. | 1 | PC |
| 2 | SATA CONN : 7P FEMALE 90° BLACK PBT 30%GF 15*AU | 1 | PC |
| 1 | SATA CONN : 7P FEMALE 180° BLACK PBT 30%GF 15*AU | 1 | PC |

| | | | | | | |
|--|---|---------------|--|----------------------------|--|------------|
| UNIT: MM | DFTG RAD VITTAPALLI | DATE 13/07/12 | 3M APAC INNOVATION CENTRE | DIVISION | ESD | STATUS |
| GEN. TOLERANCES | CHKD RAD VITTAPALLI | DATE 13/07/12 | | MODEL | | RELEASE |
| LINEAR .0 = ± 0.25 .00 = ± 0.15 .000 = ± 0.05 | APPVL ALAN ANG | DATE 13/07/12 | TITLE SATA 7 PIN RIBBON TWINAX CABLE ASSEMBLY STRAIGHT TO RIGHT ANGLE W/O LATCH | | | |
| ANGLE ±1° | THIS DOCUMENT CONTAINS INFORMATION WHICH IS PROPRIETARY TO 3M COMPANY. NO REPRODUCTION OR PUBLICATION OF THIS DOCUMENT, IN WHOLE OR IN PART, SHALL BE MADE WITHOUT AUTHORIZATION FROM 3M. © 3M 2013. ALL RIGHTS RESERVED. | | SIZE A3 | DRAWING NO. 78-5100-4897-8 | REV C | |
| PROJECTION | INTERPRET PER ASME Y14.5M-1994 | | SCALE : NTS | DET LIST | <input type="checkbox"/> YES <input type="checkbox"/> NO | SHT 3 of 7 |
| | CRITICAL DIMENSION: ▲ | | | | | |

3M™ HIGH ROUTABILITY INTERNAL SATA CABLE ASSEMBLY

| REVISION RECORD | | |
|---------------------|--------------------|------|
| REV. | ECR/ECN/ECO NUMBER | DATE |
| REFER TO SHT 1 OF 7 | | |



NOTES :

- Regulatory Information.
RoHs compliant, See the regulatory information appendix(RIA) in the "RoHs compliance" section of WWW.3Mconnectors.com compliance information (RIA E1 & C1 apply)
- For custom cable length, contact 3M sales rep.
- Cable Part number: SL8803/04-10DN5-00
- Product Specification: PS-0117.
- This cable construction has a thin aluminum layer at each edge. User should evaluate its use in their application and, if necessary, insulating tape may be applied to cover the aluminum layer, as User deems appropriate
- PVC overmoulding and PE Inner moulding at both ends.
- Product meets SATA 3.0 signal integrity specifications.

PART NUMBER SELECTION

5602-22-0142A-XXX
Length in mm,000 refers to 1000mm.

| 3M PART NO. | L(MM) |
|-------------------|-------|
| 5602-22-0142A-100 | 100 |
| 5602-22-0142A-200 | 200 |
| 5602-22-0142A-300 | 300 |
| 5602-22-0142A-400 | 400 |
| 5602-22-0142A-500 | 500 |
| 5602-22-0142A-600 | 600 |
| 5602-22-0142A-700 | 700 |
| 5602-22-0142A-800 | 800 |
| 5602-22-0142A-900 | 900 |
| 5602-22-0142A-000 | 1000 |

| PIN OUT | | | |
|---------|------|------|----|
| P1 | TYPE | TYPE | P2 |
| 1 | G | G | 1 |
| 2 | A+ | A+ | 2 |
| 3 | A- | A- | 3 |
| 4 | G | G | 4 |
| 5 | B- | B- | 5 |
| 6 | B+ | B+ | 6 |
| 7 | G | G | 7 |

| ITEM | SPECIFICATION | Q'TY | UNIT |
|------|---|------|------|
| 2 | CABLE : RIBBON TWIN AX , SL8803/04, UL AWM 21008,150V,80C | 1 | PC |
| | SIGNAL -SILVER PLATED COPPER CONDUCTOR WITH 30 AWG. | | |
| 1 | SATA CONN : 7P FEMALE 180° BLACK PBT 30GF , 15°AU | 2 | PCS |

| | | | | | | |
|--|---|---------------|--|----------------------------|--|------------|
| UNIT: MM | DFTG RAD VITTAPALLI | DATE 13/07/12 | 3M APAC INNOVATION CENTRE | DIVISION | ESD | STATUS |
| GEN. TOLERANCES | CHKD RAD VITTAPALLI | DATE 13/07/12 | | MODEL | | RELEASE |
| LINEAR .0 = ± 0.25 .00 = ± 0.15 .000 = ± 0.05 | APPVL ALAN ANG | DATE 13/07/12 | TITLE SATA 7 PIN RIBBON TWINAX CABLE ASSEMBLY STRAIGHT TO STRAIGHT W/O LATCH | | | |
| ANGLE ±1° | THIS DOCUMENT CONTAINS INFORMATION WHICH IS PROPRIETARY TO 3M COMPANY. NO REPRODUCTION OR PUBLICATION OF THIS DOCUMENT, IN WHOLE OR IN PART, SHALL BE MADE WITHOUT AUTHORIZATION FROM 3M. © 3M 2013. ALL RIGHTS RESERVED. | | SIZE A3 | DRAWING NO. 78-5100-4897-8 | REV C | |
| PROJECTION | INTERPRET PER ASME Y14.5M-1994 | | SCALE : NTS | DET LIST | <input type="checkbox"/> YES <input type="checkbox"/> NO | SHT 4 of 7 |
| | CRITICAL DIMENSION: ▲ | | | | | |

3M™ HIGH ROUTABILITY INTERNAL SATA CABLE ASSEMBLY

| REVISION RECORD | | |
|----------------------|--------------------|------|
| REV. | ECR/ECN/ECO NUMBER | DATE |
| REFER TO SHIT 1 OF 7 | | |



NOTES :

- Regulatory Information.
RoHs compliant, See the regulatory information appendix(RIA) in the "RoHs compliance" section of WWW.3Mconnectors.com compliance information (RIA E1 & C1 apply)
- For custom cable length, contact 3M sales rep.
- Cable part number: SL8803/04-10DN5-00
- Product Specification: PS-0117.
- This cable construction has a thin aluminum layer at each edge. User should evaluate its use in their application and, if necessary, insulating tape may be applied to cover the aluminum layer, as User deems appropriate
- PVC overmoulding and PE Inner moulding at both ends.
- Product meets SATA 3.0 signal integrity specifications.

PART NUMBER SELECTION

5602-33-0142A-XXX
Length in mm,000 refers to 1000mm.

| 3M PART NO. | L(MM) |
|-------------------|-------|
| 5602-33-0142A-100 | 100 |
| 5602-33-0142A-200 | 200 |
| 5602-33-0142A-300 | 300 |
| 5602-33-0142A-400 | 400 |
| 5602-33-0142A-500 | 500 |
| 5602-33-0142A-600 | 600 |
| 5602-33-0142A-700 | 700 |
| 5602-33-0142A-800 | 800 |
| 5602-33-0142A-900 | 900 |
| 5602-33-0142A-000 | 1000 |

PIN OUT

| P1 | TYPE | TYPE | P2 |
|----|------|------|----|
| 1 | G | G | 1 |
| 2 | A+ | A+ | 2 |
| 3 | A- | A- | 3 |
| 4 | G | G | 4 |
| 5 | B- | B- | 5 |
| 6 | B+ | B+ | 6 |
| 7 | G | G | 7 |

| ITEM | SPECIFICATION | Q'TY | UNIT |
|------|---|------|------|
| 3 | CABLE : RIBBON TWIN AX , SL8803/04, UL AWM 21008,150V,80C SIGNAL -SILVER PLATED COPPER WITH 30 AWG. | 1 | PC |
| 2 | SATA CONN : 7P FEMALE 90° BLACK PBT30% 15*AU WITH LATCH | 1 | PC |
| 1 | SATA CONN : 7P FEMALE 90° BLACK PBT30% 15*AU WITH LATCH | 1 | PC |

| | | | | | |
|--|---|---------------|---|---|----------------|
| UNIT: MM | DFTG RAD VITTAPALLI | DATE 13/07/12 | 3M APAC INNOVATION CENTRE | DIVISION ESD | STATUS RELEASE |
| GEN. TOLERANCES | CHKD RAD VITTAPALLI | DATE 13/07/12 | | MODEL | |
| LINEAR .0 = ± 0.25 .00 = ± 0.15 .000 = ± 0.05 | APPVL ALAN ANG | DATE 13/07/12 | TITLE SATA 7 PIN RIBBON TWINAX CABLE ASSEMBLY RIGHT ANGLE TO RIGHT ANGLE WITH LATCH | | |
| ANGLE ±1° | THIS DOCUMENT CONTAINS INFORMATION WHICH IS PROPRIETARY TO 3M COMPANY. NO REPRODUCTION OR PUBLICATION OF THIS DOCUMENT, IN WHOLE OR IN PART, SHALL BE MADE WITHOUT AUTHORIZATION FROM 3M. © 3M 2013. ALL RIGHTS RESERVED. | | SIZE A3 | DRAWING NO. 78-5100-4897-8 | REV C |
| PROJECTION | INTERPRET PER ASME Y14.5M-1994 | SCALE : NTS | | DET LIST <input type="checkbox"/> YES <input type="checkbox"/> NO | SHT 5 of 7 |
| CRITICAL DIMENSION: ▲ | | | | | |

WWW.3Mconnectors.com

3M™ HIGH ROUTABILITY INTERNAL SATA CABLE ASSEMBLY

| REVISION RECORD | | |
|---------------------|--------------------|------|
| REV. | ECR/ECN/ECO NUMBER | DATE |
| REFER TO SHT 1 OF 7 | | |



NOTES :

- Regulatory Information.
RoHs compliant, See the regulatory information appendix(RIA) in the "RoHs compliance" section of WWW.3Mconnectors.com compliance information (RIA E1 & C1 apply)
- For custom cable length, contact 3M sales rep.
- Cable Part number: SL8803/04-10DN5-00
- Product Specification: PS-0117.
- This cable construction has a thin aluminum layer at each edge.
User should evaluate its use in their application and, if necessary, insulating tape may be applied to cover the aluminum layer, as User deems appropriate
- PVC overmoulding and PE Inner moulding at both ends.
- Product meets SATA 3.0 signal integrity specifications.

PART NUMBER SELECTION

5602-34-0142A-XXX
Length in mm,000 refers to 1000mm.

| 3M PART NO. | L(MM) |
|-------------------|-------|
| 5602-34-0142A-100 | 100 |
| 5602-34-0142A-200 | 200 |
| 5602-34-0142A-300 | 300 |
| 5602-34-0142A-400 | 400 |
| 5602-34-0142A-500 | 500 |
| 5602-34-0142A-600 | 600 |
| 5602-34-0142A-700 | 700 |
| 5602-34-0142A-800 | 800 |
| 5602-34-0142A-900 | 900 |
| 5602-34-0142A-000 | 1000 |

| PIN OUT | | | |
|---------|------|------|----|
| P1 | TYPE | TYPE | P2 |
| 1 | G | G | 1 |
| 2 | A+ | A+ | 2 |
| 3 | A- | A- | 3 |
| 4 | G | G | 4 |
| 5 | B- | B- | 5 |
| 6 | B+ | B+ | 6 |
| 7 | G | G | 7 |

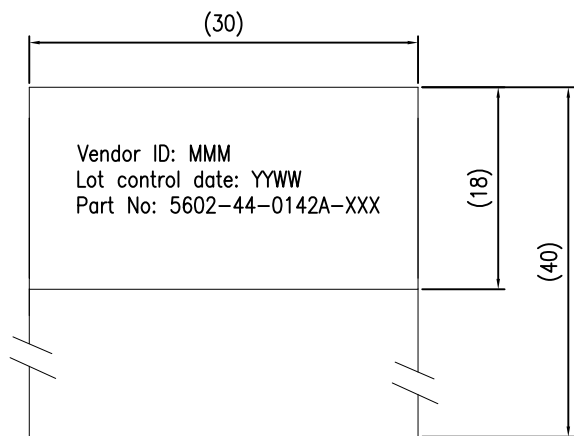
| ITEM | SPECIFICATION | Q'TY | UNIT |
|------|---|------|------|
| 3 | CABLE : RIBBON TWIN AX , SL8803/04, UL AWM 21008,150V,80C SIGNAL -SILVER PLATED COPPER CONDUCTOR 30 AWG. | 1 | PC |
| 2 | SATA CONN : 7P FEMALE 90° BLACK PBT 30%GF 15*AU WITH LATCH | 1 | PC |
| 1 | SATA CONN : 7P FEMALE 180° BLACK PBT 30%GF 15*AU WITH LATCH | 1 | PC |

| | | | | | | |
|--|---|---------------|--|----------------------------|--|------------|
| UNIT: MM | DFTG RAD VITTAPALLI | DATE 13/07/12 | 3M APAC INNOVATION CENTRE | DIVISION | ESD | STATUS |
| GEN. TOLERANCES | CHKD RAD VITTAPALLI | DATE 13/07/12 | | MODEL | | RELEASE |
| LINEAR .0 = ± 0.25 .00 = ± 0.15 .000 = ± 0.05 | APPVL ALAN ANG | DATE 13/07/12 | TITLE SATA 7 PIN RIBBON TWINAX CABLE ASSEMBLY STRAIGHT TO RIGHT ANGLE WITH LATCH | | | |
| ANGLE ±1° | THIS DOCUMENT CONTAINS INFORMATION WHICH IS PROPRIETARY TO 3M COMPANY. NO REPRODUCTION OR PUBLICATION OF THIS DOCUMENT, IN WHOLE OR IN PART, SHALL BE MADE WITHOUT AUTHORIZATION FROM 3M. © 3M 2013. ALL RIGHTS RESERVED. | | SIZE A3 | DRAWING NO. 78-5100-4897-8 | REV C | |
| PROJECTION | INTERPRET PER ASME Y14.5M-1994 | | SCALE : NTS | DET LIST | <input type="checkbox"/> YES <input type="checkbox"/> NO | SHT 6 of 7 |

WWW.3Mconnectors.com

3M™ HIGH ROUTABILITY INTERNAL SATA CABLE ASSEMBLY

| REVISION RECORD | | |
|---------------------|--------------------|------|
| REV. | ECR/ECN/ECO NUMBER | DATE |
| REFER TO SHT 1 OF 7 | | |



NOTES :

- Regulatory Information.
RoHs compliant, See the regulatory information appendix(RIA) in the "RoHs compliance" section of WWW.3Mconnectors.com compliance information (RIA E1 & C1 apply)
- For custom cable length, contact 3M sales rep.
- Cable Part number: SL8803/04-10DN5-00
- Product Specification: PS-0117.
- This cable construction has a thin aluminum layer at each edge. User should evaluate its use in their application and, if necessary, insulating tape may be applied to cover the aluminum layer, as User deems appropriate
- PVC overmoulding and PE Inner moulding at both ends.
- Product meets SATA 3.0 signal integrity specifications.

PART NUMBER SELECTION

5602-44-0142A-XXX
Length in mm,000 refers to 1000mm.

| 3M PART NO. | L(MM) |
|-------------------|-------|
| 5602-44-0142A-100 | 100 |
| 5602-44-0142A-200 | 200 |
| 5602-44-0142A-300 | 300 |
| 5602-44-0142A-400 | 400 |
| 5602-44-0142A-500 | 500 |
| 5602-44-0142A-600 | 600 |
| 5602-44-0142A-700 | 700 |
| 5602-44-0142A-800 | 800 |
| 5602-44-0142A-900 | 900 |
| 5602-44-0142A-000 | 1000 |

PIN OUT

| P1 | TYPE | TYPE | P2 |
|----|------|------|----|
| 1 | G | G | 1 |
| 2 | A+ | A+ | 2 |
| 3 | A- | A- | 3 |
| 4 | G | G | 4 |
| 5 | B- | B- | 5 |
| 6 | B+ | B+ | 6 |
| 7 | G | G | 7 |

| ITEM | SPECIFICATION | Q'TY | UNIT |
|------|--|------|------|
| 2 | CABLE : RIBBON TWIN AX , SL8803/04, UL AWM 21008,150V,80C | 1 | PC |
| | SIGNAL -SILVER PLATED COPPER CONDUCTOR WITH 30 AWG. | | |
| 1 | SATA CONN : 7P FEMALE 180° BLACK PBT 30GF , 15°AU WITH LATCH | 2 | PCS |

| | | | | | | |
|--|---|---------------|-------------|---|--|------------|
| UNIT: MM | DFTG RAD VITTAPALLI | DATE 13/07/12 | | DIVISION | ESD | STATUS |
| GEN. TOLERANCES | CHKD RAD VITTAPALLI | DATE 13/07/12 | | MODEL | | RELEASE |
| LINEAR .0 = ± 0.25 .00 = ± 0.15 .000 = ± 0.05 | APPVL ALAN ANG | DATE 13/07/12 | | TITLE SATA 7 PIN RIBBON TWINAX CABLE ASSEMBLY STRAIGHT TO STRAIGHT WITH LATCH | | |
| ANGLE ±1° | THIS DOCUMENT CONTAINS INFORMATION WHICH IS PROPRIETARY TO 3M COMPANY. NO REPRODUCTION OR PUBLICATION OF THIS DOCUMENT, IN WHOLE OR IN PART, SHALL BE MADE WITHOUT AUTHORIZATION FROM 3M. © 3M 2013. ALL RIGHTS RESERVED. | | SIZE A3 | DRAWING NO. 78-5100-4897-8 | REV C | |
| PROJECTION | INTERPRET PER ASME Y14.5M-1994 | | SCALE : NTS | DET LIST | <input type="checkbox"/> YES <input type="checkbox"/> NO | SHT 7 of 7 |
| CRITICAL DIMENSION: ▲ | | | | | | |

WWW.3Mconnectors.com

Компания «Life Electronics» занимается поставками электронных компонентов импортного и отечественного производства от производителей и со складов крупных дистрибьюторов Европы, Америки и Азии.

С конца 2013 года компания активно расширяет линейку поставок компонентов по направлению коаксиальный кабель, кварцевые генераторы и конденсаторы (керамические, пленочные, электролитические), за счёт заключения дистрибьюторских договоров

Мы предлагаем:

- Конкурентоспособные цены и скидки постоянным клиентам.
- Специальные условия для постоянных клиентов.
- Подбор аналогов.
- Поставку компонентов в любых объемах, удовлетворяющих вашим потребностям.
- Приемлемые сроки поставки, возможна ускоренная поставка.
- Доставку товара в любую точку России и стран СНГ.
- Комплексную поставку.
- Работу по проектам и поставку образцов.
- Формирование склада под заказчика.
- Сертификаты соответствия на поставляемую продукцию (по желанию клиента).
- Тестирование поставляемой продукции.
- Поставку компонентов, требующих военную и космическую приемку.
- Входной контроль качества.
- Наличие сертификата ISO.

В составе нашей компании организован Конструкторский отдел, призванный помогать разработчикам, и инженерам.

Конструкторский отдел помогает осуществить:

- Регистрацию проекта у производителя компонентов.
- Техническую поддержку проекта.
- Защиту от снятия компонента с производства.
- Оценку стоимости проекта по компонентам.
- Изготовление тестовой платы монтаж и пусконаладочные работы.



Тел: +7 (812) 336 43 04 (многоканальный)
Email: org@lifeelectronics.ru