



U5200

Industrial Pressure Transducer

SPECIFICATIONS

- ◆ High Accuracy
- ◆ Compact
- ◆ Variety of Pressure Ports and Electrical Configurations
- ◆ Optional Stainless Steel Snubber
- ◆ CE Compliant and Weatherproof
- ◆ UL Certified
- ◆ Gage, Sealed, Absolute, Compound
- ◆ Expedite Configurations Available (10 Days)

The U5200 pressure transducers from the UltraStable line of MEAS, with their modular design, offer maximum flexibility for different configurations. This latest series features high accuracy and a quick turnaround for demanding commercial and heavy industrial applications. This series is suitable for measurement of liquid or gas pressure, even for difficult media such as contaminated water, steam, and mildly corrosive fluids.

The wetted material is made of 316L stainless steel and the transducer's durability is excellent with no O-rings or organics exposed to the pressure media. The U5200 is weatherproof and exceeds the latest heavy industrial CE requirements including surge protection. The circuit is protected from reverse wiring at input and short circuit at output.

This product is geared to the OEM customer for low to mid volumes. MEAS stands ready to provide a custom design of the U5200 where the volume and application warrants. Additional configurations not listed are either available or possible. Please inquire for further information.

FEATURES

- ◆ Heavy Industrial CE Approval
- ◆ 10 V/m EMI Protection
- ◆ Reverse Polarity Protection on Input
- ◆ Short Circuit Protection on Output
- ◆ Up to ±0.1% Accuracy
- ◆ Up to ±0.75% Total Error Band
- ◆ Compact Outline
- ◆ -40°C to +125°C Operating Temperature
- ◆ Weatherproof

APPLICATIONS

- ◆ Industrial Process Control and Monitoring
- ◆ Advanced HVAC Systems
- ◆ Refrigeration Systems
- ◆ Automotive Test Stands
- ◆ Off-Road Vehicles
- ◆ Pumps and Compressors
- ◆ Hydraulic/Pneumatic Systems
- ◆ Agriculture Equipment
- ◆ Energy Generation and Management

STANDARD RANGES

| Range (psi) | Range (Bar) | Gage | Sealed | Absolute | Compound |
|-------------|-------------|------|--------|----------|----------|
| 0 to 002 | 0 to .14 | ◆ | ◆ | ◆ | ◆ |
| 0 to 005 | 0 to .35 | ◆ | ◆ | ◆ | ◆ |
| 0 to 015 | 0 to 001 | ◆ | ◆ | ◆ | ◆ |
| 0 to 030 | 0 to 002 | ◆ | ◆ | ◆ | ◆ |
| 0 to 050 | 0 to 3.5 | ◆ | ◆ | ◆ | ◆ |
| 0 to 100 | 0 to 007 | ◆ | ◆ | ◆ | ◆ |
| 0 to 150 | 0 to 010 | ◆ | ◆ | ◆ | ◆ |
| 0 to 200 | 0 to 014 | ◆ | ◆ | ◆ | ◆ |
| 0 to 300 | 0 to 020 | ◆ | ◆ | ◆ | ◆ |
| 0 to 500 | 0 to 035 | ◆ | ◆ | ◆ | ◆ |
| 0 to 01k | 0 to 070 | ◆ | ◆ | ◆ | ◆ |
| 0 to 03k | 0 to 200 | ◆ | ◆ | ◆ | ◆ |
| 0 to 05k | 0 to 350 | ◆ | ◆ | ◆ | ◆ |
| 0 to 10k | 0 to 700 | ◆ | ◆ | ◆ | ◆ |

Intermediate ranges available upon request.

PERFORMANCE SPECIFICATIONS

Ambient Temperature: 25°C (unless otherwise specified)

| PARAMETERS | MIN | TYP | MAX | UNITS | NOTES |
|---|--|-----|---------|-------------|-------------------------------|
| Accuracy (RSS of linearity, hysteresis, and repeatability) | -0.5 | | 0.5 | %F.S. BFSL | ≤ 2psi @ 25°C |
| | -0.25 | | 0.25 | %F.S. BFSL | > 2psi and ≤ 5psi @ 25°C |
| | -0.1 | | 0.1 | %F.S. BFSL | > 5psi and ≤ 500psi @ 25°C |
| | -0.25 | | 0.25 | %F.S. BFSL | > 500psi and ≤ 5000psi @ 25°C |
| | -0.75 | | 0.75 | %F.S. BFSL | > 5000psi @ 25°C |
| Isolation, Body to any Lead | 100 | | | MΩ | @500VDC |
| Dielectric Strength | | | 2 | mA | @500VAC, 1min |
| Pressure Cycles | 1.00E+6 | | | 0~FS Cycles | |
| Proof Pressure | 3X | | 20k psi | Rated | |
| Burst Pressure | 4X | | 20k psi | Rated | |
| Long Term Stability (1 year) | -0.1 | | 0.1 | %F.S. | |
| | -1.25 | | 1.25 | %F.S. | ≤ 2psi |
| | -1.0 | | 1.0 | %F.S. | > 2psi and ≤ 5psi |
| | -0.75 | | 0.75 | %F.S. | > 5psi and ≤ 5000psi |
| Total Error Band | -1.25 | | 1.25 | %F.S. | > 5000psi |
| | -1.25 | | 1.25 | %F.S. | > 5000psi |
| Compensated Temperature | -20 | | +85 | °C | |
| Operating Temperature | -40 | | +125 | °C | Except cable 105°C max |
| Storage Temperature | -40 | | +125 | °C | Except cable 105°C max |
| Load Resistance (R _L) | R _L > 100k | | | Ω | Voltage Output |
| Load Resistance (R _L) | < (Supply Voltage -9V) / 0.02A | | | Ω | Current Output |
| Current Consumption | | | 5 | mA | Voltage Output |
| Rise Time (10% to 90%) | <2ms (Voltage Output); <3ms (Current Output); Without Snubber | | | | |
| Pressure Port Material | 316L Stainless Steel; 316L Stainless Steel Snubber | | | | |
| Shock | 50g, 11msec Half Sine Shock per MIL-STD-202G, Method 213B, Condition A | | | | |
| Vibration | ±20g, MIL-STD-810C, Procedure 514.2, Fig 514.2-2, Curve L | | | | |

For custom configurations, consult factory.

Notes

Compensated Temperature: The temperature range over which the product will produce an output proportional to pressure within the specified performance limits.

Operating Temperature: The temperature range over which the product will produce an output proportional to pressure but may not remain within the specified performance limits.

Storage Temperature: The temperature range over which the product can be stored safely in occasions without pressure applied or power input and remains rated performance. Beyond this temperature range may cause permanent damage to the product.

All configurations are built with supply voltage reverse and output short-circuit protections.

CE Compliance

EN 55022 Emissions Class A & B

IEC 61000-4-2 Electrostatic Discharge Immunity (8kV contact/15kV air)

IEC 61000-4-3 Radiated, Radio-Frequency Electromagnetic Field Immunity (10V/m, 80M-1GHz)

IEC 61000-4-4 Electrical Fast Transient Immunity (1kV)

IEC 61000-4-5 Surge Immunity (V+ to V-: ±2KV/42Ω; L to Case: ±1KV/12Ω; V- to V₀: ±1KV/42Ω)

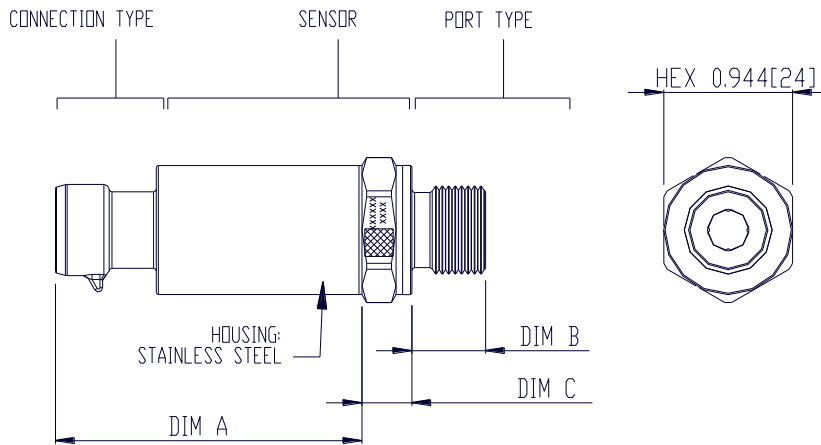
IEC 61000-4-6 Immunity to Conducted Disturbances Induced by Radio Frequency

Fields (150K~80MHz, 10V level for voltage output models, 3V level for current output model)

IEC 61000-4-9 Pulse Magnetic Field Immunity (100A/m peak)

For all CE compliance tests, max allowed output deviation ±1.5 %F.S.

DIMENSIONS [mm]



| CODE | CONNECTION TYPE | DIM A |
|------|---------------------|-------------|
| 1 | CABLE 2 FT | 2.19 [55.6] |
| E | CABLE 3 FT | 2.19 [55.6] |
| 2 | CABLE 4 FT | 2.19 [55.6] |
| 3 | CABLE 10 FT | 2.19 [55.6] |
| 4 | PACKARD CONNECTOR A | 2.25 [57.2] |
| 5 | BAYONET CONNECTOR | 2.11 [53.6] |
| 6 | FORM C | 1.95 [49.5] |
| 7 | FORM A | 2.10 [53.3] |
| 9 | PACKARD CONNECTOR B | 2.25 [57.2] |
| D | M12 CONNECTOR | 1.95 [49.5] |
| M | CABLE 1 M | 2.19 [55.6] |
| N | CABLE 2 M | 2.19 [55.6] |
| P | CABLE 5 M | 2.19 [55.6] |
| R | CABLE 10 M | 2.19 [55.6] |
| A | AMP CONNECTOR | 2.10 [53.3] |
| S | SUMITOMO CONNECTOR | 1.95 [49.5] |
| C | 1/2" NPT CONDUIT | 2.10 [53.3] |

| FORM C | |
|------------------------------------|----------------------------|
| INCLUDE MATING CONNECTOR AND SEAL. | MATING CONNECTOR AND SEAL. |
| | |
| CABLE | FORM A |
| BAYONET CONNECTOR | 1/2" NPT CONDUIT |
| PACKARD CONNECTOR | SUMITOMO CONNECTOR |
| M12 CONNECTOR | AMP/TE CONNECTOR |

| PRESSURE PORT TYPE | | | |
|--------------------|--|--------------|-------------|
| CODE | PORT | DIM B | DIM C REF. |
| 2 | 1/4-19 BSPP | 0.472[11.94] | 0.366[9.3] |
| 3 | G3/8 JIS B2351 | 0.540[13.72] | 0.366[9.3] |
| 4 | 7/16-20UNF MALE SAE J1926-2 STRAIGHT THREAD O-RING BUNA-N 90SH-904 | 0.433[11.0] | 0.366[9.3] |
| 5 | 1/4-18 NPT | 0.600[15.24] | 0.366[9.3] |
| 6 | 1/8-27 NPT | 0.390[9.91] | 0.366[9.3] |
| B | G1/4 JIS B2351 | 0.472[11.94] | 0.366[9.3] |
| E | 1/4-19 BSPT | 0.500[12.7] | 0.366[9.3] |
| F | 1/4-19 BSPP FEMALE (without snubber) | 0.771[19.58] | 0.366[9.3] |
| P | 7/16-20UNF FEMALE SAE J513 STRAIGHT THREAD WITH INTEGRAL VALVE DEPRESSOR | 0.687[17.5] | 0.366[9.3] |
| N | 7/16-20UNF FEMALE SAE J513 STRAIGHT THREAD | 0.687[17.5] | 0.366[9.3] |
| Q | M10 x 1.0 mm ISO 6149-2 | 0.374[9.5] | 0.366[9.3] |
| S | M12 x 1.5 mm ISO 6149-2 | 0.433[11.0] | 0.366[9.3] |
| U | G/14 DIN 3852 FORM E GASKET DIN3869-14 NBR | 0.472[11.94] | 0.445[11.3] |
| W | M20 x 1.5 mm ISO 6149-2 | 0.551[14.0] | 0.366[9.3] |
| G | M14 x 1.5 mm ISO 6149-2 | 0.433[11.0] | 0.366[9.3] |

Note: Refer to installation instructions for recommended torque.

WIRING

| Current Output Wiring | | | | | |
|-----------------------|---------|---------|----------|--|---------------------------|
| CONNECTION | +SUPPLY | -SUPPLY | NC. PINS | | P REF VENT |
| Bayonet | A | B | C,D,E | | F |
| Packard, A | A | B | C | | Hole Through Connector |
| Packard, B | B | A | C | | Hole Through Connector |
| Cable | RED | BLK | | | In Cable |
| 1/2NPT CONDUIT | RED | BLK | | | In Cable |
| M12 | 1 | 3 | 2,4 | | Hole Through Connector |
| AMP/TE | 1 | 2 | 3 | | Hole Through Connector |
| FORM C | 1 | 2 | 3,4 | | Threads Through Connector |
| FORM A | 1 | 2 | 3,4 | | Threads Through Connector |
| Sumitomo | 1 | 2 | 3 | | Hole Through Connector |

| Voltage Output Wiring | | | | | |
|-----------------------|---------|---------|--------|----------|---------------------------|
| CONNECTION | +SUPPLY | +OUTPUT | COMMON | NC. PINS | P REF VENT |
| Bayonet | A | B | C | D,E | F |
| Packard, A | A | C | B | | Hole Through Connector |
| Packard, B | B | C | A | | Hole Through Connector |
| Cable | RED | WHT | BLK | | In Cable |
| 1/2NPT CONDUIT | RED | WHT | BLK | | In Cable |
| M12 | 1 | 2 | 3 | 4 | Hole Through Connector |
| AMP/TE | 1 | 3 | 2 | | Hole Through Connector |
| FORM C | 1 | 2 | 3 | 4 | Threads Through Connector |
| FORM A | 1 | 3 | 2 | 4 | Threads Through Connector |
| Sumitomo | 1 | 3 | 2 | | Hole Through Connector |

Notes:

1. NC pins are reserved for factory use only. **Customers should not use these connections.**
2. For cable connection, the drain wire is internally terminated to pressure port.

CONNECTION TYPES

| CONNECTION TYPES | | | | |
|-----------------------------------|--|--|---|---|
| CONNECTION | DESCRIPTION | MATING HOUSING P/N | MATING TERMINAL P/N | RUBBER SEAL P/N |
| Bayonet | BAYONET PTIH-10-6P OR EQUIV | PT06A-10-6S MIL-C-26482 | - | - |
| Packard | 3-PIN METRI-PACK 150 | 12078090 | 12103881, QTY 3 | - |
| Cable & 1/2NPT Conduit | 4-WIRE, 22 AWG, SHIELDED, PVC JACKET, 105 DEGC | - | - | - |
| M12 | BINDER SERIES 713, 09 3431 77 04 OR EQUIV | 4-POS FEMALE CONNECTOR | - | - |
| AMP/TE | AMP / TE 3-PIN ECONOSEAL J SERIES | 174357-2 & 174358-7 | 171630-1 (AWG 20~24) 171662-1 (AWG 16~20) QTY 3 | 172746-1 (AWG 20~24) 172888-2 (AWG 16~20) QTY 3 |
| FORM C | INDUSTRIAL STANDARD 9.4MM FORM C | HIRSCHMANN 933 024-100, OR, ATAM KD046000B7 (SEAL INCL.) | - | HIRSCHMANN 730 185-002 |
| FORM A | DIN EN 175 301-803-A 18MM | HIRSCHMANN 931 969-100, OR, ATAM KA245000B4 (SEAL INCL.) | - | HIRSCHMANN 730 801-002 |
| Sumitomo | SUMITOMO 3-PIN HV040 | 6189-6907 | 8100-3067 (AWG 20~22) 8100-3068 (AWG 16~18) QTY 3 | 7165-1075 (INS. DIA 1.1~1.6MM) 7176-0621 (INS. DIA 1.6~1.9MM) 7165-0622 (INS. DIA 1.8~2.2MM) QTY 3 |

Note: Transmitter of gage pressure type requires vent to atmosphere on the pressure reference side. This is accomplished via cable from the transmitter (the end of the cable should be terminated to clean and dry area) or through the customer mating connector/cable assembly which has internal vent path.

Suggested vented M12 mating connector P/N MB12FWAFF04ST-4 and MB12FWAFF04ST-3 at www.finecables.com for 0.157"~0.236" and 0.236"~0.315" diameter cable respectively.

WEATHERPROOF

| WEATHER-PROOF RATING | |
|-----------------------|---------|
| CONNECTION | IP CODE |
| Bayonet | IP67 |
| Packard | IP66 |
| Cable | IP67 |
| 1/2NPT CONDUIT | IP67 |
| M12 | IP67 |
| AMP/TE | IP67 |
| FORM C | IP65 |
| FORM A | IP65 |
| Sumitomo | IP67 |

Note: Weatherproof ratings are met when the mating connectors are installed properly and the cable termination is to dry and clean area.

OUTPUTS

| CODE | OUTPUT SIGNAL | SUPPLY VOLTAGE |
|----------|---------------------------|-------------------------------|
| 3 | 0.5 - 4.5V RATIOMETRIC | 5 ± 0.25V PROTECTED to 30V |
| 4 | 1 - 5V | 8 - 30V |
| 5 | 4 - 20mA | 9 - 30V |
| 6 | 0 - 5V | 8 - 30V |
| 7 | 0 - 10V | 12 - 30V |
| 8 | 1 - 6V | 8 - 30V |
| 9 | 0.5 - 4.5V | 5 - 30V |

ORDERING INFORMATION

U52 3 1 - 0 0 00 0 W - 100P G

| Output | | |
|----------|-----------------------|-----------------------------|
| Code | Type | Supply Voltage |
| 3 | 0-4.5V Ratiometric | 5±0.25V Protected to 30V |
| 4 | 1 – 5V | 8-30V |
| 5 | 4-20mA | 9-30V |
| 6 | 0-5V | 8-30V |
| 7 | 0-10V | 12-30V |
| 8 | 1-6V | 8-30V |
| 9 | 0.5-4.5V | 8-30V |

| Cable/Connector | | |
|-----------------|---------------------|------------|
| Code | Connection Type | Dim A Max |
| 1 | Cable, 2 feet | 2.19[55.6] |
| E | Cable, 3 feet | 2.19[55.6] |
| 2 | Cable, 4 feet | 2.19[55.6] |
| 3 | Cable, 10 feet | 2.19[55.6] |
| 4 | Packard Connector A | 2.25[57.2] |
| 5 | Bayonet Connector | 2.11[53.6] |
| 6 | Form C | 1.95[49.5] |
| 7 | Form A | 2.10[53.3] |
| 9 | Packard Connector B | 2.25[57.2] |
| D | M12 Connector | 1.95[49.5] |
| M | Cable 1m | 2.19[55.6] |
| N | Cable 2m | 2.19[55.6] |
| P | Cable 5m | 2.19[55.6] |
| R | Cable 10m | 2.19[55.6] |
| A | Amp Connector | 2.10[53.3] |
| S | Sumitomo Connector | 1.95[49.5] |
| C | 1/2" NPT Conduit | 2.10[53.3] |

| Shipping | |
|----------|----------|
| 0 | Standard |
| H | Expedite |

| Cleaning | |
|----------|--------------|
| 0 | No Selection |
| 1 | With Snubber |

| Label Type | |
|------------|----------------|
| 0 | Adhesive Label |
| 1 | Laser Marking |

| Pressure Range | | Pressure Type |
|----------------|---------|--|
| psi std | bar std | |
| 002P | .14B | G=Gage S=Sealed A=Absolute C=Compound |
| 005P | .35B | |
| 015P | 001B | |
| 030P | 002B | G=Gage S=Sealed A=Absolute C=Compound |
| 050P | 3.5B | |
| 100P | 007B | |
| 200P | 010B | |
| 300P | 020B | |
| 500P | 035B | G=Gage S=Sealed (Port 2,5 Only) A=Absolute (Port2, 5 only) C=Compound |
| 01KP | 070B | |
| 03KP | 200B | |
| 05KP | 350B | |
| 10KP | 700B | |

Compound pressure range is -14.7 to xxxpsig or -1 to xxxbarg. (e.g. 200PC: -14.7 to 200psig, 020BC: -1 to 20barg)

| Port Type Selection | | | |
|---------------------|--|--------------|------------|
| Code | Port Type | Dim B | Dim C Ref. |
| 2 | 1/4"-19 BSPP | 0.472[11.94] | 0.366[9.3] |
| 3 | G3/8 JIS B2351 | 0.540[13.72] | 0.366[9.3] |
| 4 | 7/16-20UNF Male SAE J1926-2 Straight Thread O-Ring BUNA-N 90SH-904 | 0.433[11.0] | 0.366[9.3] |
| 5 | 1/4-18 NPT | 0.600[15.24] | 0.366[9.3] |
| 6 | 1/8-27 NPT | 0.390[9.91] | 0.366[9.3] |
| B | G1/4 JIS B2351 | 0.472[11.94] | 0.366[9.3] |
| E | 1/4-19 BSPT | 0.500[12.7] | 0.366[9.3] |
| F | 1/4-19 BSPP Female* | 0.771[19.58] | 0.366[9.3] |
| P | 7/16-20UNF Female SAE J513 Straight Thread w/ Integral Valve Depressor | 0.687[17.5] | 0.366[9.3] |
| N | 7/16-20UNF Female SAE J513 Straight Thread | 0.687[17.5] | 0.366[9.3] |
| Q | M10x1.0mm ISO 6149-2 | 0.374[9.5] | 0.366[9.3] |
| S | M12x1.5mm ISO 6149-2 | 0.433[11.0] | 0.366[9.3] |
| U | G1/4 DIN 3852 Form E Gasket DIN3869-14 NBR | 0.472[11.94] | 0.366[9.3] |
| W | M20x1.5mm ISO 6149-2 | 0.551[14.0] | 0.366[9.3] |
| G | M14x1.5mm ISO 6149-2 | 0.433[11.0] | 0.366[9.3] |

Selections in blue (expedite) have a 10 business day lead time with a 19 piece maximum order.

Refer to online installation instruction for recommended torque.

Installation instructions and this document are available on our website in English and Chinese

U5200

Industrial Pressure Transducer

Standard In-Stock Models: M12 Connector, 1/4-18 NPT Pressure Port, Gage Type. These popular configurations below are typical units available off the shelf:

| 4 - 20mA Output | 0 - 5V Output | 0 - 10V Output |
|--------------------|--------------------|--------------------|
| U525D-000005-01KPG | U526D-000005-01KPG | U527D-000005-01KPG |
| U525D-000005-050PG | U526D-000005-050PG | U527D-000005-050PG |
| U525D-000005-05KPG | U526D-000005-05KPG | U527D-000005-05KPG |
| U525D-000005-150PG | U526D-000005-150PG | U527D-000005-150PG |
| U525D-000005-500PG | U526D-000005-500PG | U527D-000005-500PG |

NORTH AMERICA

Measurement Specialties, Inc.,
a TE Connectivity Company
Phone: 800-522-6752
Email: customercare.frm@te.com

EUROPE

Measurement Specialties (Europe), Ltd.,
a TE Connectivity Company
Phone: +31 73 624 6999
Email: customercare.lcsb@te.com

ASIA

Measurement Specialties (China), Ltd.,
a TE Connectivity Company
Phone: 0400-820-6015
Email: customercare.shzn@te.com

TE.com/sensorsolutions

Measurement Specialties, Inc., a TE Connectivity company.

Measurement Specialties, TE Connectivity, TE Connectivity (logo) and EVERY CONNECTION COUNTS are trademarks. All other logos, products and/or company names referred to herein might be trademarks of their respective owners.

The information given herein, including drawings, illustrations and schematics which are intended for illustration purposes only, is believed to be reliable. However, TE Connectivity makes no warranties as to its accuracy or completeness and disclaims any liability in connection with its use. TE Connectivity's obligations shall only be as set forth in TE Connectivity's Standard Terms and Conditions of Sale for this product and in no case will TE Connectivity be liable for any incidental, indirect or consequential damages arising out of the sale, resale, use or misuse of the product. Users of TE Connectivity products should make their own evaluation to determine the suitability of each such product for the specific application.

© 2015 TE Connectivity Ltd. family of companies All Rights Reserved.

Компания «Life Electronics» занимается поставками электронных компонентов импортного и отечественного производства от производителей и со складов крупных дистрибьюторов Европы, Америки и Азии.

С конца 2013 года компания активно расширяет линейку поставок компонентов по направлению коаксиальный кабель, кварцевые генераторы и конденсаторы (керамические, пленочные, электролитические), за счёт заключения дистрибьюторских договоров

Мы предлагаем:

- Конкурентоспособные цены и скидки постоянным клиентам.
- Специальные условия для постоянных клиентов.
- Подбор аналогов.
- Поставку компонентов в любых объемах, удовлетворяющих вашим потребностям.
- Приемлемые сроки поставки, возможна ускоренная поставка.
- Доставку товара в любую точку России и стран СНГ.
- Комплексную поставку.
- Работу по проектам и поставку образцов.
- Формирование склада под заказчика.
- Сертификаты соответствия на поставляемую продукцию (по желанию клиента).
- Тестирование поставляемой продукции.
- Поставку компонентов, требующих военную и космическую приемку.
- Входной контроль качества.
- Наличие сертификата ISO.

В составе нашей компании организован Конструкторский отдел, призванный помогать разработчикам, и инженерам.

Конструкторский отдел помогает осуществить:

- Регистрацию проекта у производителя компонентов.
- Техническую поддержку проекта.
- Защиту от снятия компонента с производства.
- Оценку стоимости проекта по компонентам.
- Изготовление тестовой платы монтаж и пусконаладочные работы.



Тел: +7 (812) 336 43 04 (многоканальный)

Email: org@lifeelectronics.ru