

Absolute Maximum Ratings

Voltage Referenced to GND

| | |
|--|----------------------|
| V+ | -0.3V to +6V |
| IN, COM, NO, NC (Note 1) | -0.3V to (V+ + 0.3V) |
| Continuous Current (any terminal) | ±20mA |
| Peak Current, COM, NO, N.C. (pulsed at 1ms, 10% duty cycle) | ±40mA |

Continuous Power Dissipation (T_A = +70°C)

| | |
|---|-----------------|
| 6-Pin SC70-6 (derate 3.1mW/°C above +70°C) | 245mW |
| 6-Pin µDFN-6 (derate 2.1mW/°C above +70°C) | 168mW |
| 6-Pin SOT23-6 (derate 7.1mW/°C above +70°C) | 571mW |
| Operating Temperature Range | |
| MAX4599E_T | -40°C to +85°C |
| Storage Temperature Range | -65°C to +150°C |
| Lead Temperature (soldering, 10s) | +300°C |

Note 1: Signals on NO, NC, COM, or IN exceeding V+ or GND are clamped by internal diodes. Limit forward-diode current to maximum current rating.

Stresses beyond those listed under "Absolute Maximum Ratings" may cause permanent damage to the device. These are stress ratings only, and functional operation of the device at these or any other conditions beyond those indicated in the operational sections of the specifications is not implied. Exposure to absolute maximum rating conditions for extended periods may affect device reliability.

Electrical Characteristics—Single +5V Supply

(V+ = +4.5V to +5.5V, V_{INH} = +2.4V, V_{INL} = +0.8V, T_A = T_{MIN} to T_{MAX}, unless otherwise noted.) (Notes 2, 3)

| PARAMETER | SYMBOL | CONDITIONS | MIN | TYP | MAX | UNITS | |
|--|---|--|---|------|------|-------|----|
| ANALOG SWITCH | | | | | | | |
| Analog Signal Range | V _{COM} , V _{NO} , V _{NC} | | 0 | | V+ | V | |
| On-Resistance | R _{ON} | V+ = 4.5V, I _{COM} = 1mA, V _{NO} or V _{NC} = 3.5V | T _A = +25°C | 40 | 60 | Ω | |
| | | | T _A = T _{MIN} to T _{MAX} | | 65 | | |
| On-Resistance Match Between Channels (Note 4) | ΔRON | V+ = 4.5V, I _{COM} = 1A, V _{NO} or V _{NC} = 3.5V | T _A = +25°C | 0.2 | 1 | Ω | |
| | | | T _A = T _{MIN} to T _{MAX} | | 2 | | |
| On-Resistance Flatness (Note 5) | R _{FLAT(ON)} | V+ = 4.5V; I _{COM} = 1mA; V _{NO} or V _{NC} = 1V, 2.0V, 3.5V | T _A = +25°C | 2.5 | 4 | Ω | |
| | | | T _A = T _{MIN} to T _{MAX} | | 5 | | |
| NO, NC Off-Leakage Current (Note 6) | I _{NO(OFF)} , I _{NC(OFF)} | V+ = 5.5V; V _{COM} = 1V, 4.5V; V _{NO} or V _{NC} = 4.5V, 1V | T _A = +25°C | -0.5 | 0.01 | 0.5 | nA |
| | | | T _A = T _{MIN} to T _{MAX} | -5 | | 5 | |
| COM On-Leakage Current (Note 6) | I _{COM(ON)} | V+ = 5.5V; V _{COM} = 1V, 4.5V; V _{NO} or V _{NC} = 1V, 4.5V, or floating | T _A = +25°C | -1 | 0.01 | 1 | nA |
| | | | T _A = T _{MIN} to T _{MAX} | -10 | | 10 | |
| DIGITAL I/O | | | | | | | |
| Input Logic High | V _{IH} | | 2.4 | | | V | |
| Input Logic Low | V _{IL} | | | | 0.8 | V | |
| DYNAMIC | | | | | | | |
| Turn-On Time | t _{ON} | V _{NO} , V _{NC} = 3V; R _L = 1kΩ; C _L = 35pF; Figure 2 | T _A = +25°C | 25 | 30 | ns | |
| | | | T _A = T _{MIN} to T _{MAX} | | 40 | | |

Electrical Characteristics—Single +5V Supply (continued)(V+ = +4.5V to +5.5V, V_{INH} = +2.4V, V_{INL} = +0.8V, T_A = T_{MIN} to T_{MAX}, unless otherwise noted.) (Notes 2, 3)

| PARAMETER | SYMBOL | CONDITIONS | MIN | TYP | MAX | UNITS |
|---------------------------|--|--|---|-------|-----|-------|
| Turn-Off Time | t _{OFF} | V _{NO} , V _{NC} = 3V; R _L = 1kΩ; C _L = 35pF; Figure 2 | T _A = +25°C | 20 | 25 | ns |
| | | | T _A = T _{MIN} to T _{MAX} | | 30 | |
| Break-Before-Make | t _{BBM} | V _{NO} , V _{NC} = 3V; R _L = 1kΩ; C _L = 35pF; Figure 3 | T _A = +25°C | 10 | | ns |
| | | | T _A = T _{MIN} to T _{MAX} | 1 | | |
| On-Channel -3dB Bandwidth | BW | Signal = 0dBm, 50Ω in and out, Figure 5 | T _A = +25°C | 200 | | MHz |
| Off-Isolation (Note 7) | V _{ISO} | C _L = 5pF; R _L = 50Ω; f = 1MHz; V _{NO} , V _{NC} = 1V _{RMS} ; Figure 5 | T _A = +25°C | -76 | | dB |
| Charge Injection (Note 6) | Q | V _{GEN} = 0, R _{GEN} = 0, C _L = 1.0nF, Figure 4 | T _A = +25°C | 3 | 5 | pC |
| NO, NC Off-Capacitance | C _{NO(OFF)} , C _{NC(OFF)} | V _{NO} , V _{NC} = GND; f = 1MHz; Figure 6 | T _A = +25°C | 8 | | pF |
| COM Off-Capacitance | C _{COM(OFF)} | V _{COM} = GND, f = 1MHz, Figure 6 | T _A = +25°C | 8 | | pF |
| Switch On-Capacitance | C _(ON) | V _{COM} = V _{NO} , V _{NC} = GND, f = 1MHz, Figure 6 | T _A = +25°C | 20 | | pF |
| Total Harmonic Distortion | THD | R _L = 600Ω, V _{IN} = 5Vp-p, f = 20Hz to 20kHz | T _A = +25°C | 0.12 | | % |
| SUPPLY | | | | | | |
| Power-Supply Range | V+ | | 2.0 | | 5.5 | V |
| Positive Supply Current | I+ | V+ = 5.5V, V _{IN} = 0 or V+ | -1 | 0.001 | 1 | μA |

Electrical Characteristics—Single +3V Supply(V+ = +2.7V to +3.6V, V_{INH} = +2.0V, V_{INL} = +0.8V, T_A = T_{MIN} to T_{MAX}, unless otherwise noted.) (Notes 2, 3)

| PARAMETER | SYMBOL | CONDITIONS | MIN | TYP | MAX | UNITS |
|----------------------|---|---|---|-----|-----|-------|
| ANALOG SWITCH | | | | | | |
| Analog Signal Range | V _{COM} , V _{NO} , V _{NC} | | 0 | | V+ | V |
| On-Resistance | R _{ON} | V+ = 2.7V, I _{COM} = 1mA, V _{NO} or V _{NC} = 1V | T _A = +25°C | 60 | 95 | Ω |
| | | | T _A = T _{MIN} to T _{MAX} | | 105 | |
| DIGITAL I/O | | | | | | |
| Input Logic High | V _{IH} | | 2.0 | | | V |
| Input Logic Low | V _{IL} | | | | 0.8 | V |

Electrical Characteristics—Single +3V Supply (continued)(V+ = +2.7V to +3.6V, V_{INH} = +2.0V, V_{INL} = +0.8V, T_A = T_{MIN} to T_{MAX}, unless otherwise noted.) (Notes 2, 3)

| PARAMETER | SYMBOL | CONDITIONS | MIN | TYP | MAX | UNITS |
|---------------------------|------------------|---|---|-------|-----|-------|
| DYNAMIC | | | | | | |
| Turn-On Time | t _{ON} | V _{NO} , V _{NC} = 2V; R _L = 1kΩ; C _L = 35pF; Figure 2 | T _A = +25°C | 40 | 45 | ns |
| | | | T _A = T _{MIN} to T _{MAX} | | 55 | |
| Turn-Off Time | t _{OFF} | V _{NO} , V _{NC} = 2V; R _L = 1kΩ; C _L = 35pF; Figure 2 | T _A = +25°C | 30 | 35 | ns |
| | | | T _A = T _{MIN} to T _{MAX} | | 40 | |
| Break-Before-Make | t _{BBM} | V _{NO} , V _{NC} = 2V; R _L = 1kΩ; C _L = 35pF; Figure 3 | T _A = +25°C | 13 | | ns |
| | | | T _A = T _{MIN} to T _{MAX} | 1 | | |
| Charge Injection (Note 6) | Q | V _{GEN} = 0, R _{GEN} = 0, C _L = 1.0nF, Figure 4 | T _A = +25°C | 2 | 5 | pC |
| SUPPLY | | | | | | |
| Positive Supply Current | I+ | V+ = 3.6V, V _{IN} = 0 or V+ | -1 | 0.001 | 1 | μA |

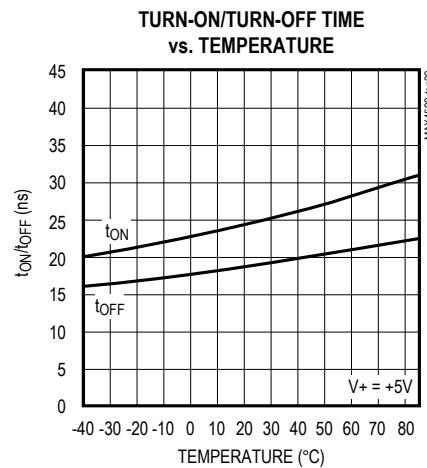
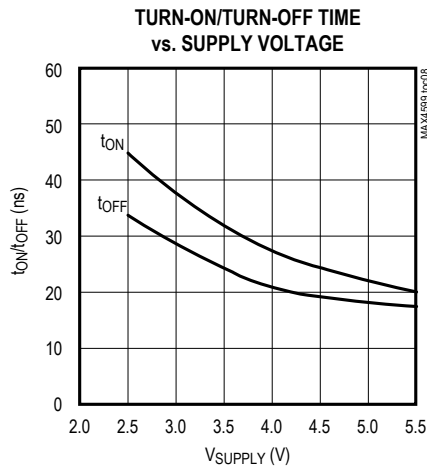
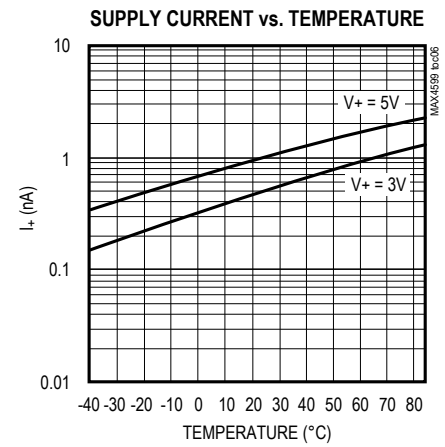
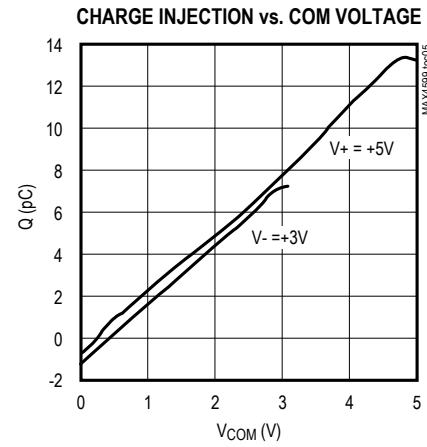
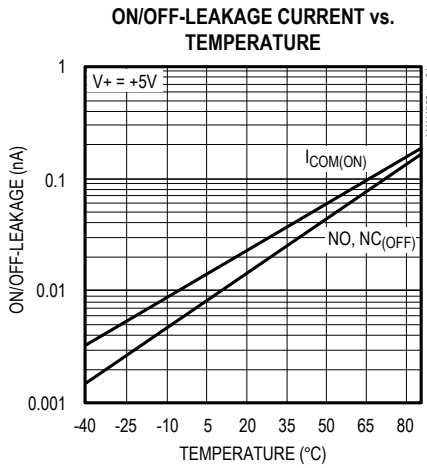
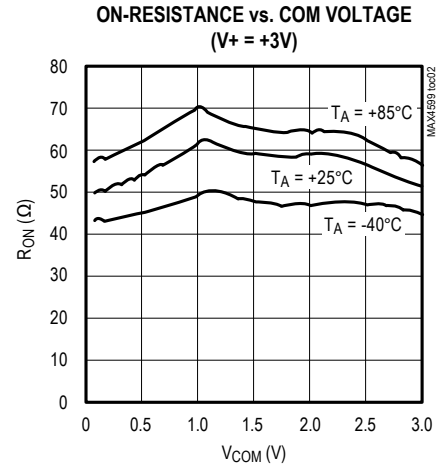
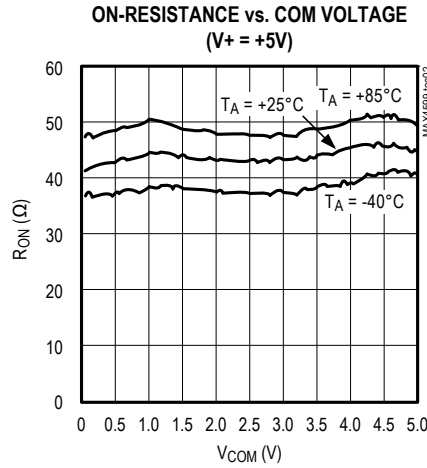
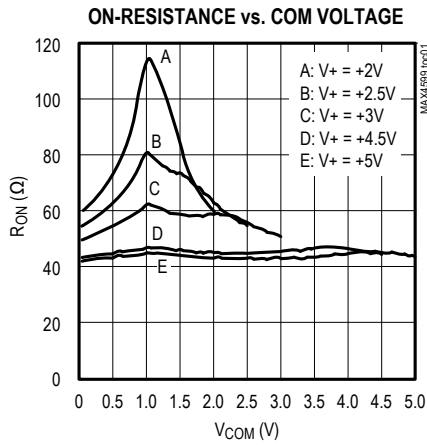
Electrical Characteristics—Single +2.5V Supply(V+ = +2.5V, V_{INH} = +2.0V, V_{INL} = +0.6V, T_A = T_{MIN} to T_{MAX}, unless otherwise noted.) (Notes 2, 3)

| PARAMETER | SYMBOL | CONDITIONS | MIN | TYP | MAX | UNITS |
|----------------------|---|---|---|-----|-----|-------|
| ANALOG SWITCH | | | | | | |
| Analog Signal Range | V _{COM} , V _{NO} , V _{NC} | | 0 | | V+ | V |
| On-Resistance | R _{ON} | V+ = 2.5V, I _{COM} = 1mA, V _{NO} or V _{NC} = 1V | T _A = +25°C | 65 | 110 | Ω |
| | | | T _A = T _{MIN} to T _{MAX} | | 120 | |
| Input Logic High | V _{IH} | | 2.0 | | | V |
| Input Logic Low | V _{IL} | | | | 0.6 | V |
| DYNAMIC | | | | | | |
| Turn-On Time | t _{ON} | V _{NO} , V _{NC} = 2V; R _L = 1kΩ; C _L = 35pF; Figure 3 | T _A = +25°C | 45 | 50 | ns |
| | | | T _A = T _{MIN} to T _{MAX} | | 60 | |
| Turn-Off Time | t _{OFF} | V _{NO} , V _{NC} = 3V; R _L = 1kΩ; C _L = 35pF; Figure 3 | T _A = +25°C | 30 | 35 | ns |
| | | | T _A = T _{MIN} to T _{MAX} | | 45 | |

Note 2: Parameters are 100% tested at +25°C only and guaranteed by correlation at the full rated temperature.**Note 3:** The algebraic convention, where the most negative value is a minimum and the most positive value a maximum, is used in this data sheet.**Note 4:** ΔR_{ON} = R_{ON}(MAX) - R_{ON}(MIN).**Note 5:** Flatness is defined as the difference between the maximum and minimum value of on-resistance as measured over the specified analog signal ranges.**Note 6:** Guaranteed by design.**Note 7:** Off-Isolation = 20log₁₀ (V_{COM} / V_{NO}), V_{COM} = output, V_{NO} = input to off switch.

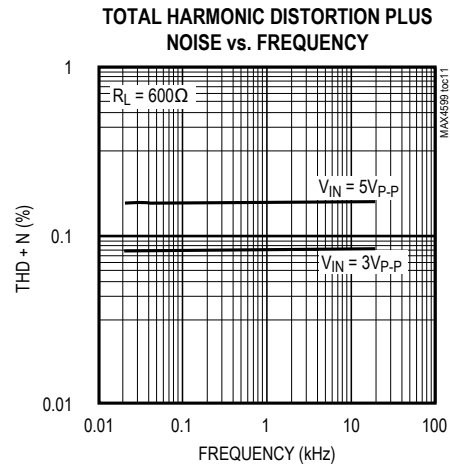
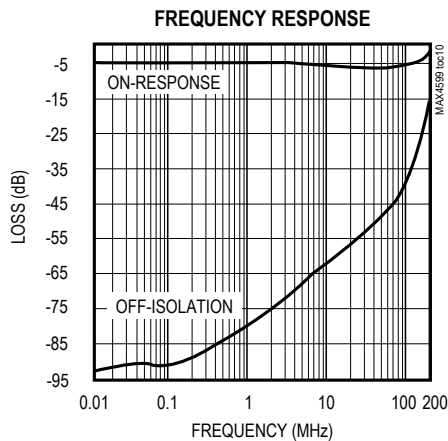
Typical Operating Characteristics

($T_A = +25^\circ\text{C}$, unless otherwise noted.)



Typical Operating Characteristics (continued)

(T_A = +25°C, unless otherwise noted.)



Pin Description

| PIN | NAME | FUNCTION |
|-----|------|-------------------------------|
| 1 | IN | Digital Control Input |
| 2 | V+ | Positive Supply Voltage |
| 3 | GND | Ground |
| 4 | N.C. | Analog Switch Normally Closed |
| 5 | COM | Analog Switch Common |
| 6 | NO | Analog Switch Normally Open |

Applications Information

Analog Signal Levels

Analog signals can range over the supply voltage (V+ to GND) with on-resistance changing very little over the entire range (see *Typical Operating Characteristics*). The MAX4599 is bidirectional, so the NO, NC, and COM pins can be used either as inputs or outputs.

Power-Supply Sequencing and Overvoltage Protection

Proper power-supply sequencing is recommended for all CMOS devices. Always apply V+ before applying analog signals or logic inputs, especially if the analog or logic signals are not current limited. If this sequencing is not possible, and if the analog or logic inputs are not current limited to < 20mA, add a small-signal diode (D1) as shown in Figure 1. If the analog signal can dip below GND, add D2.

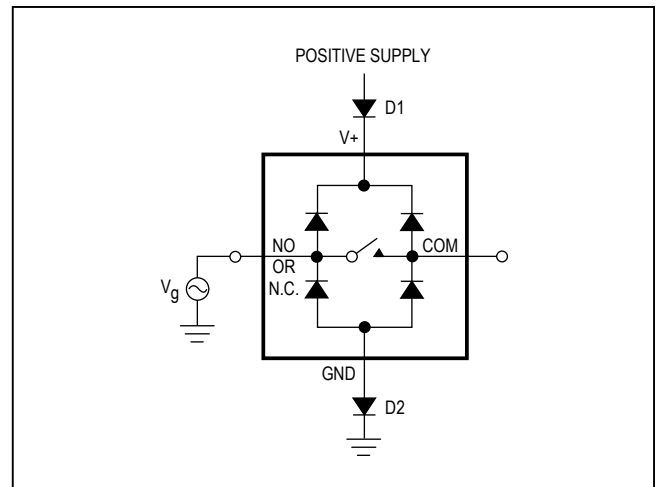


Figure 1. Overvoltage Protection Using Two External Blocking Diodes

Adding protection diodes reduces the analog signal range to a diode drop (about 0.7V) below V+ for D1 or to a diode drop above ground for D2. The addition of diodes does not affect leakage. On-resistance increases by a small amount at low supply voltages. Maximum supply voltage (V+) must not exceed 6V.

Protection diodes D1 and D2 also protect against some overvoltage situations. A fault voltage up to the absolute maximum rating at an analog signal input does not damage the device, even if the supply voltage is below the signal voltage.

Test Circuits/Timing Diagrams

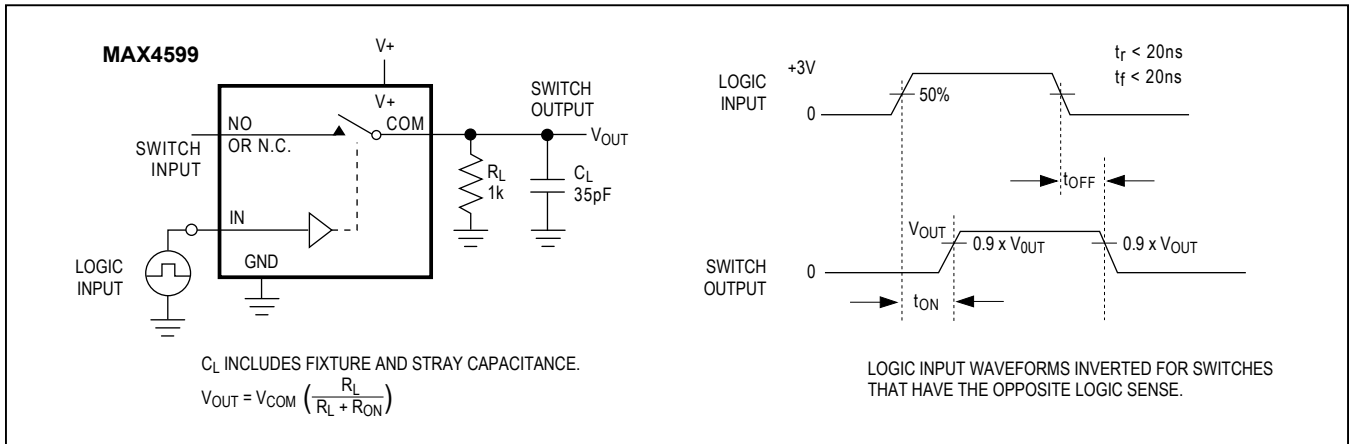


Figure 2. Switching Time

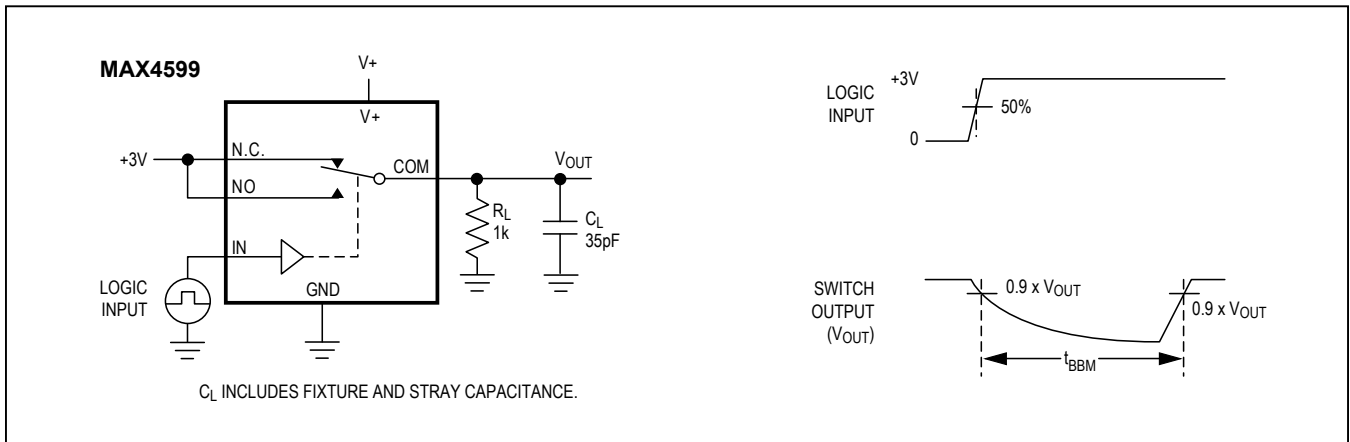


Figure 3. Break-Before-Make Interval

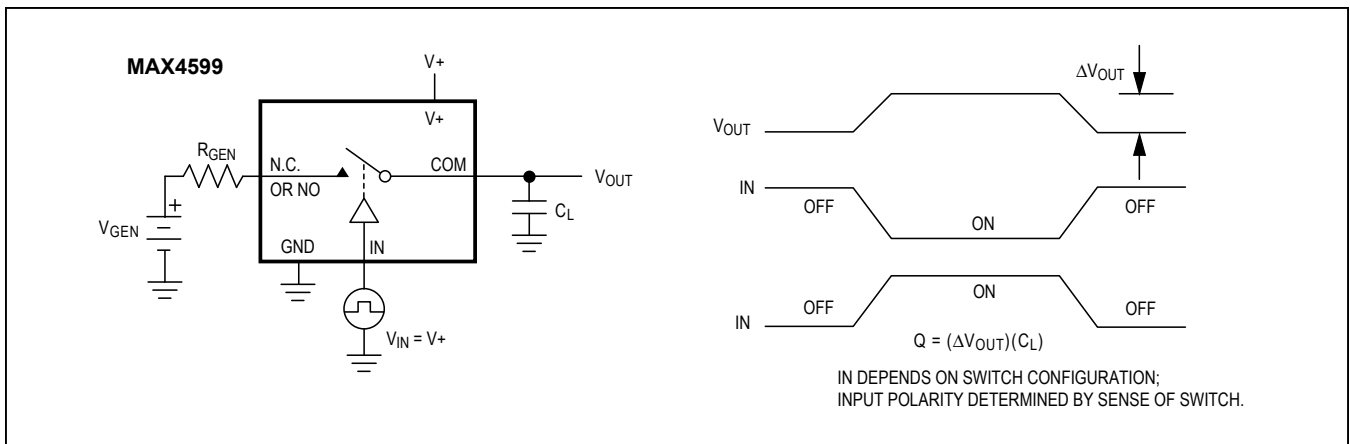


Figure 4. Charge Injection

Test Circuits/Timing Diagrams (continued)

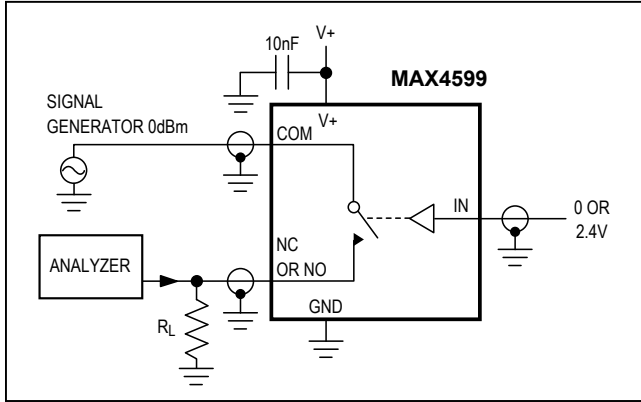


Figure 5. Off-Isolation/On-Channel Bandwidth

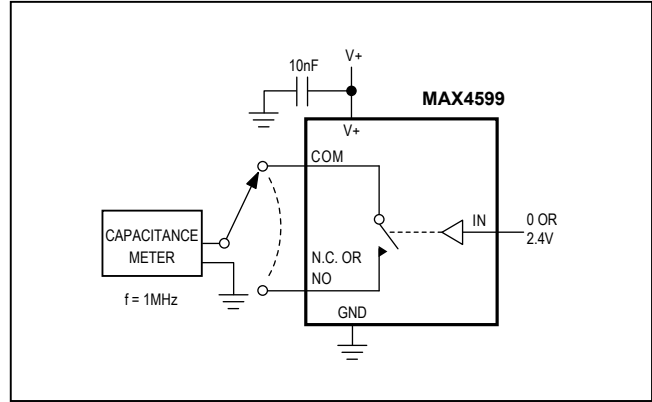


Figure 6. Channel On/Off-Capacitance

Ordering Information

| PART | TEMP RANGE | PIN-PACKAGE | TOP MARK |
|--------------|----------------|-------------|----------|
| MAX4599EXT+T | -40°C to +85°C | 6 SC70-6 | AAF |
| MAX4599EUT+T | -40°C to +85°C | 6 SOT23-6 | AAHC |
| MAX4599ELT+T | -40°C to +85°C | 6 μDFN-6 | AA |

Chip Information

TRANSISTOR COUNT: 89

Package Information

For the latest package outline information and land patterns (footprints), go to www.maximintegrated.com/packages. Note that a "+", "#", or "-" in the package code indicates RoHS status only. Package drawings may show a different suffix character, but the drawing pertains to the package regardless of RoHS status.

| PACKAGE TYPE | PACKAGE CODE | OUTLINE NO. | LAND PATTERN NO. |
|--------------|--------------|-------------------------|-------------------------|
| 6 SC70 | X6SN-1 | 21-0077 | 90-0189 |
| 6 μDFN | L611-1 | 21-0147 | 90-0080 |
| 6 SOT23 | U6-9 | 21-0058 | 90-0175 |

Revision History

| REVISION NUMBER | REVISION DATE | DESCRIPTION | PAGES CHANGED |
|-----------------|---------------|--|---------------|
| 3 | 2/18 | Updated <i>Ordering Information</i> table and created <i>Packaging Information</i> table | |

For pricing, delivery, and ordering information, please contact Maxim Direct at 1-888-629-4642, or visit Maxim Integrated's website at www.maximintegrated.com.

Maxim Integrated cannot assume responsibility for use of any circuitry other than circuitry entirely embodied in a Maxim Integrated product. No circuit patent licenses are implied. Maxim Integrated reserves the right to change the circuitry and specifications without notice at any time. The parametric values (min and max limits) shown in the Electrical Characteristics table are guaranteed. Other parametric values quoted in this data sheet are provided for guidance.

Компания «Life Electronics» занимается поставками электронных компонентов импортного и отечественного производства от производителей и со складов крупных дистрибьюторов Европы, Америки и Азии.

С конца 2013 года компания активно расширяет линейку поставок компонентов по направлению коаксиальный кабель, кварцевые генераторы и конденсаторы (керамические, пленочные, электролитические), за счёт заключения дистрибьюторских договоров

Мы предлагаем:

- Конкурентоспособные цены и скидки постоянным клиентам.
- Специальные условия для постоянных клиентов.
- Подбор аналогов.
- Поставку компонентов в любых объемах, удовлетворяющих вашим потребностям.
- Приемлемые сроки поставки, возможна ускоренная поставка.
- Доставку товара в любую точку России и стран СНГ.
- Комплексную поставку.
- Работу по проектам и поставку образцов.
- Формирование склада под заказчика.
- Сертификаты соответствия на поставляемую продукцию (по желанию клиента).
- Тестирование поставляемой продукции.
- Поставку компонентов, требующих военную и космическую приемку.
- Входной контроль качества.
- Наличие сертификата ISO.

В составе нашей компании организован Конструкторский отдел, призванный помогать разработчикам, и инженерам.

Конструкторский отдел помогает осуществить:

- Регистрацию проекта у производителя компонентов.
- Техническую поддержку проекта.
- Защиту от снятия компонента с производства.
- Оценку стоимости проекта по компонентам.
- Изготовление тестовой платы монтаж и пусконаладочные работы.



Тел: +7 (812) 336 43 04 (многоканальный)

Email: org@lifeelectronics.ru