

List of "SFW__R-3/4STE1LF" customer document

| DOCUMENT NO. | LIST |
|--|---|
| SC-STW11 | SPEC. |
| JSA95860 | CAT.NO.TABLE FOR 1mm SPACING SMT CONNECTOR (SFW__R-3/4ST__LF) |
| JSA95861 | 1mm SPACING SMT CONNECTOR (SFW__R-3ST__LF) |
| JSA95862 | 1mm SPACING SMT CONNECTOR (SFW__R-4ST__LF) |
| JSA95863 | CAT.NO.TABLE FOR PLASTIC TAPE PACKAGED 1mm SPACING SMT CONNECTOR (SFW__R-3/4STE1LF) |
| JSA95864 | PLASTIC TAPE PACKAGED 1mm SPACING SMT CONNECTOR (SFW__R-3STE1LF) |
| JSA95865 | PLASTIC TAPE PACKAGED 1mm SPACING SMT CONNECTOR (SFW__R-4STE1LF) |
| JSA93212 | RECOMMENDED CABLE (FPC) (SFW__R-3/4ST__) |
| JSA93213 C | RECOMMENDED CABLE (FFC) (SFW__R-3/4ST__) |
| GS-20-130 | HANDLING PROCEDURES |

NOTE

1. A C symbol will be next to any dimension, view, or note which has been modified with the current drawing revision.

| | | | | | | | | | | | |
|---------------|----------------|------|------------|--|--------------|--|--|---|-------------------------------|--------------|--------|
| mat'l. code - | | | | surface 58 / tolerance ISO 1302 <input checked="" type="checkbox"/> ISO 406 ISO 1101 | | projection  | | product family 58RF | | CODE JP | |
| ltr | | | | tolerances unless otherwise specified | | mm  | | title | | | |
| A | J05-0055 | H.T | 05-02-04 | angles linear | | scale \times | | 1mm SPACING FPC CONNECTOR DOCUMENT LIST (Cat. No. : SFW__R-3/4STE1LF) | | | |
| B | J06-0398 | H.T | 06-09-26 | | |  | | dwg no | | sheet 1 of 1 | |
| C | S09-0180 | DGOH | 09-05-28 | | | | | JSA 96338 | | size A4 | |
| D | J09-0363 | M.Y | 2009-10-8 | dr | M.YAMAGUCHI | | | 2009-10-27 | type Product Customer Drawing | | |
| | J09-0380 | M.Y | 2009-10-27 | engr | M.YAMAGUCHI | 2009-10-27 | | | | | |
| | | | | chr | S. Yamaguchi | 2009-10-27 | | | | | |
| | | | | appd | S. Yamaguchi | 2009-10-27 | | | | | |
| sheet index | revision sheet | E | 1 | | | | | | | | Rev. E |

CAT. NO. & DIMENSIONS

| NO. OF CONTACTS (n) | CAT. NO. | DIMENSIONS (NOTE2) | | | |
|---------------------|------------------|--------------------|---------|---------|---------|
| | | A ± 0.2 | B ± 0.2 | C ± 0.2 | D ± 0.1 |
| 4 | SFW4R-3/4ST__LF | 9.8 | 8.6 | 3.0 | 3.92 |
| 5 | SFW5R-3/4ST__LF | 10.8 | 9.6 | 4.0 | 4.92 |
| 6 | SFW6R-3/4ST__LF | 11.8 | 10.6 | 5.0 | 5.92 |
| 7 | SFW7R-3/4ST__LF | 12.8 | 11.6 | 6.0 | 6.92 |
| 8 | SFW8R-3/4ST__LF | 13.8 | 12.6 | 7.0 | 7.92 |
| 9 | SFW9R-3/4ST__LF | 14.8 | 13.6 | 8.0 | 8.92 |
| 10 | SFW10R-3/4ST__LF | 15.8 | 14.6 | 9.0 | 9.92 |
| 11 | SFW11R-3/4ST__LF | 16.8 | 15.6 | 10.0 | 10.92 |
| 12 | SFW12R-3/4ST__LF | 17.8 | 16.6 | 11.0 | 11.92 |
| 13 | SFW13R-3/4ST__LF | 18.8 | 17.6 | 12.0 | 12.92 |
| 14 | SFW14R-3/4ST__LF | 19.8 | 18.6 | 13.0 | 13.92 |
| 15 | SFW15R-3/4ST__LF | 20.8 | 19.6 | 14.0 | 14.92 |
| 16 | SFW16R-3/4ST__LF | 21.8 | 20.6 | 15.0 | 15.92 |
| 17 | SFW17R-3/4ST__LF | 22.8 | 21.6 | 16.0 | 16.92 |
| 18 | SFW18R-3/4ST__LF | 23.8 | 22.6 | 17.0 | 17.92 |
| 19 | SFW19R-3/4ST__LF | 24.8 | 23.6 | 18.0 | 18.92 |
| 20 | SFW20R-3/4ST__LF | 25.8 | 24.6 | 19.0 | 19.92 |
| 21 | SFW21R-3/4ST__LF | 26.8 | 25.6 | 20.0 | 20.92 |
| 22 | SFW22R-3/4ST__LF | 27.8 | 26.6 | 21.0 | 21.92 |
| 23 | SFW23R-3/4ST__LF | 28.8 | 27.6 | 22.0 | 22.92 |
| 24 | SFW24R-3/4ST__LF | 29.8 | 28.6 | 23.0 | 23.92 |
| 25 | SFW25R-3/4ST__LF | 30.8 | 29.6 | 24.0 | 24.92 |
| 26 | SFW26R-3/4ST__LF | 31.8 | 30.6 | 25.0 | 25.92 |
| 27 | SFW27R-3/4ST__LF | 32.8 | 31.6 | 26.0 | 26.92 |
| 28 | SFW28R-3/4ST__LF | 33.8 | 32.6 | 27.0 | 27.92 |
| 29 | SFW29R-3/4ST__LF | 34.8 | 33.6 | 28.0 | 28.92 |
| 30 | SFW30R-3/4ST__LF | 35.8 | 34.6 | 29.0 | 29.92 |

CAT. NO. SFW (n) R - 3 ST ___ LF

SERIES NAME

NO. OF CONTACTS

RIGHT ANGLE TYPE

FOR FPC/FFC, WITH CABLE LOCK MECHANISM

CONTACT DIRECTION
3. LOWER CONTACT TYPE
4. UPPER CONTACT TYPE

FOR AUTOMATIC MOUNTING (SMT)

PACKAGE STYLE

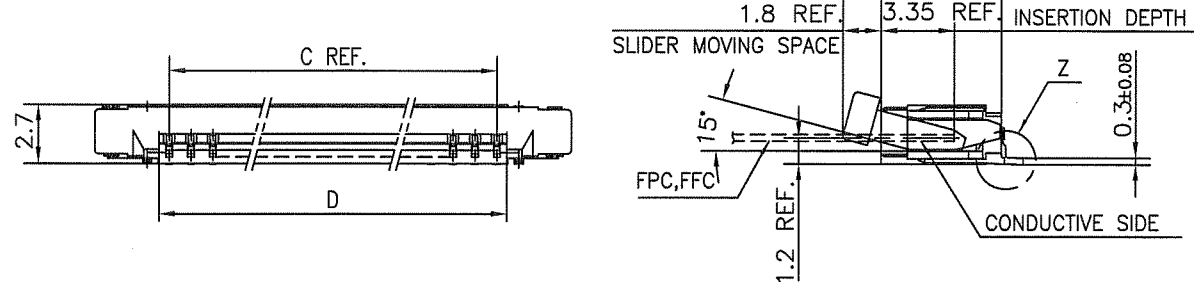
LEAD FREE

NOTES

1. THIS PRODUCT IS THE CONNECTOR USED FOR FPC/FFC AND COPE WITH AUTOMATIC MOUNTING (SMT).
2. SEE PART DRAWINGS FOR DIMENSIONS A~D.
3. THIS PRODUCT IS THE CONNECTOR WITH CABLE LOCK MECHANISM.

| | | | | | | | | | | | | | |
|-------------|--|----------------|--|-----------------------|--|------------------------------|--|---------------------------------------|--|---|--|--------------------------|--|
| mat'l. code | | | | surface 58 / ISO 1302 | | tolerance ISO 406 / ISO 1101 | | projection | | product family 58RF | | CODE JP | |
| ltr | | ecn no | | dr | | date | | tolerances unless otherwise specified | | title | | sheet 1 of 1 size | |
| AA | | J05-0055 | | H.T | | 2/4/'05 | | angles linear | | CAT NO. TABLE FOR 1mm SPACING SMT CONNECTOR (Cat. No. SFW__R-3/4ST__LF) | | A4 | |
| AB | | J06-0398 | | H.T | | 9/26/'06 | | mm | | dwg no | | JSA 95860 | |
| AC | | J09-0363 | | M.Y | | 2009-10-8 | | scale X | | type | | Product Customer Drawing | |
| sheet index | | revision sheet | | AC | | 1 | | FCJ | | Rev. AC | | | |

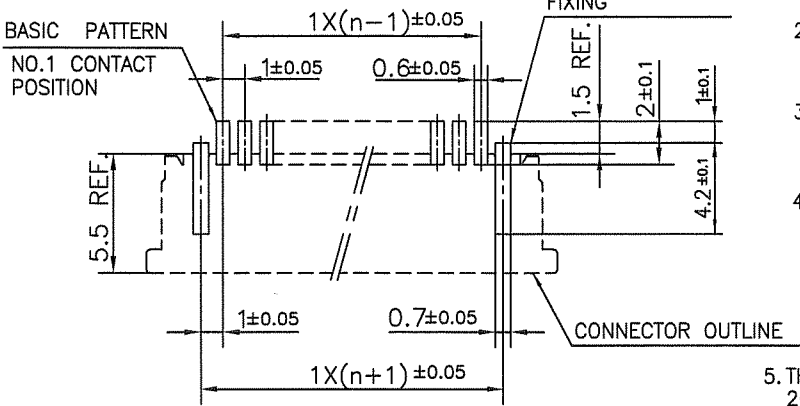
SC_SFW11 JSA95861 95862 95863 95864 95865 93212 93213 Form: A4



| PT. NO. | PARTS NAME | MATERIAL | Q'TY | NOTE |
|---------|----------------|--------------------------------------|------|---------------|
| 1 | HOUSING | PPS RESIN GLASS REINFORCED (UL94V-0) | 1 | COLOR : BLACK |
| 2 | SLIDER | | 1 | COLOR : BROWN |
| 3 | CONTACT | PHOSPHOR BRONZE | n | PLATING : TIN |
| 4 | MOUNTING PLATE | | 2 | |

n : NO. OF CONTACTS

RECOMMENDED PC BOARD LAYOUT (COMPONENT SIDE)



NOTES

1. THIS PRODUCT IS THE CONNECTOR USED FOR FPC/FFC AND COPEs WITH AUTOMATIC MOUNTING (SMT).
2. FLATNESS FOR CONTACT TERMINAL HOUSING MUST BE WITHIN TOLERANCE IN Z PORTION DETAILED DRAWING.
3. THIS PRODUCT IS LOWER CONTACT TYPE CONNECTOR WITH CABLE LOCK MECHANISM.
4. THIS PRODUCT MEETS EUROPEAN UNION DIRECTIVES AND OTHER COUNTRY REGULATIONS AS DESCRIBED IN GS-22-008
5. THE HOUSING WILL WITHSTAND EXPOSURE TO 260°C PEAK TEMPERATURE FOR 10 SECONDS IN A REFLOW SOLDERING OVEN.

| | | | | | | | | | | | |
|---------------------------|--|-------------|--|--|--|------------|--|---|--|---------|--|
| mat'l. code | | | | surface 58 / tolerance ISO 1302 ✓ ISO 406 ISO 1101 | | projection | | product family 58RF | | CODE JP | |
| ltr ecn no dr date | | | | tolerances unless otherwise specified | | mm | | title | | | |
| AA J04-0180 H.T 7/2/'04 | | | | angles linear ±0.2 | | mm | | 1mm SPACING SMT CONNECTOR (Cat. No. SFW__R-3ST__LF) | | | |
| AB J05-0055 H.T 2/4/'05 | | | | | | | | dwg no sheet 1 of 1 size | | | |
| AC J05-0736 H.T 10/28/'05 | | | | | | scale X | | JSA 95861 A4 | | | |
| AD J06-0398 H.T 9/26/'06 | | | | dr M.YAMASHITA 2009-10-8 | | FCJ | | type Product Customer Drawing | | | |
| AE J09-0363 M.Y 2009-10-8 | | | | enr M.YAMASHITA 2009-10-8 | | | | | | | |
| | | | | chr S. Watanabe 2009-10-8 | | | | | | | |
| | | | | appd S. Chokawa 2009-10-8 | | | | | | | |
| sheet index | | revision AE | | | | | | | | Rev. AE | |
| sheet 1 | | | | | | | | | | | |

SC_SFW11 JSA95860 form: A4



Copyright FCI.



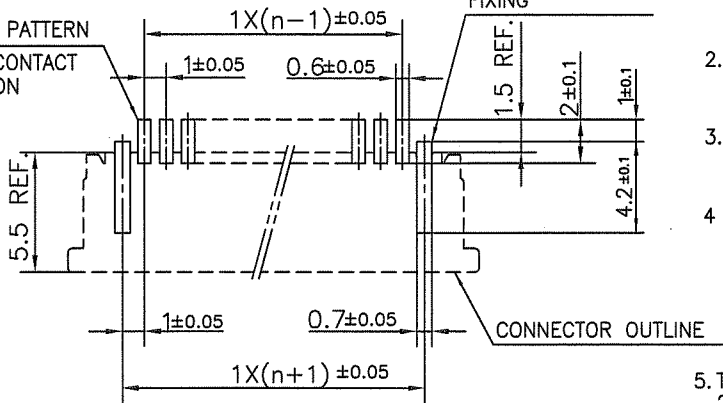
| PT. NO. | PARTS NAME | MATERIAL | Q'TY | NOTE |
|---------|----------------|---|------|---------------|
| 1 | HOUSING | PPS RESIN GLASS REINFORCED (UL94V-0) | 1 | COLOR : BLACK |
| 2 | SLIDER | | 1 | COLOR : BROWN |
| 3 | CONTACT | PHOSPHOR BRONZE | n | PLATING : TIN |
| 4 | MOUNTING PLATE | | 2 | |

n : NO. OF CONTACTS

RECOMMENDED PC BOARD LAYOUT
(COMPONENT SIDE)

BASIC PATTERN

NO.1 CONTACT
POSITION



NOTES

1. THIS PRODUCT IS THE CONNECTOR USED FOR FPC/FFC AND COPES WITH AUTOMATIC MOUNTING (SMT).
2. FLATNESS FOR CONTACT TERMINAL HOUSING MUST BE WITHIN TOLERANCE IN Z PORTION DETAILED DRAWING.
3. THIS PRODUCT IS UPPER CONTACT TYPE CONNECTOR WITH CABLE LOCK MECHANISM.
4. THIS PRODUCT MEETS EUROPEAN UNION DIRECTIVES AND OTHER COUNTRY REGULATIONS AS DESCRIBED IN GS-22-008
5. THE HOUSING WILL WITHSTAND EXPOSURE TO 260°C PEAK TEMPERATURE FOR 10 SECONDS IN A REFLOW SOLDERING OVEN.

| | | | | | | | | | | | | | |
|---------------------------|--|----------------|--|--|--|------------|--|-------------------------------|--|---------|--|--|--|
| mat'l. code | | | | surface 58 / tolerance ISO 1302 ✓ / ISO 406 / ISO 1101 | | projection | | product family 58RF | | CODE JP | | | |
| ltr ecn no dr date | | | | tolerances unless otherwise specified | | mm | | title | | | | | |
| AA J04-0180 H.T 7/2/'04 | | | | angles linear ±0.2 | | mm | | 1mm SPACING SMT CONNECTOR | | | | | |
| AB J05-0055 H.T 2/4/'05 | | | | | | | | (Cat. No. SFW__R-4ST__LF) | | | | | |
| AC J05-0736 H.T 10/28/'05 | | | | | | scale X | | | | | | | |
| AD J06-0398 H.T 9/26/'06 | | | | dr H. YAMASAKI 2007-10-8 | | FCJ | | dwg no sheet 1 of 1 size | | | | | |
| AE J09-0363 M.Y 2009-10-8 | | | | enr H. YAMASAKI 2007-10-8 | | | | JSA 95862 | | A4 | | | |
| | | | | chr S. Nishida 2007-10-8 | | | | type Product Customer Drawing | | | | | |
| | | | | appd S. Andaman 2009-10-8 | | | | | | | | | |
| sheet index | | revision sheet | | AE 1 | | | | | | Rev. AE | | | |

SC_SFW11 JSA95860
form: A4

CAT. NO. & DIMENSIONS

| NO. OF CONTACTS (n) | CAT. NO. (NOTE2) | DIMENSIONS (NOTE3) | | |
|---------------------|-------------------|--------------------|---------|---------|
| | | E ± 5 | F ± 0.3 | G ± 0.1 |
| 4 | SFW4R-3/4STE1 LF | 20.4 | 16 | — |
| 5 | SFW5R-3/4STE1 LF | 28.4 | 24 | — |
| 6 | SFW6R-3/4STE1 LF | 28.4 | 24 | — |
| 7 | SFW7R-3/4STE1 LF | 28.4 | 24 | — |
| 8 | SFW8R-3/4STE1 LF | 28.4 | 24 | — |
| 9 | SFW9R-3/4STE1 LF | 28.4 | 24 | — |
| 10 | SFW10R-3/4STE1 LF | 28.4 | 24 | — |
| 11 | SFW11R-3/4STE1 LF | 28.4 | 24 | — |
| 12 | SFW12R-3/4STE1 LF | 28.4 | 24 | — |
| 13 | SFW13R-3/4STE1 LF | 36.4 | 32 | 28.4 |
| 14 | SFW14R-3/4STE1 LF | 36.4 | 32 | 28.4 |
| 15 | SFW15R-3/4STE1 LF | 36.4 | 32 | 28.4 |
| 16 | SFW16R-3/4STE1 LF | 36.4 | 32 | 28.4 |
| 17 | SFW17R-3/4STE1 LF | 48.4 | 44 | 40.4 |
| 18 | SFW18R-3/4STE1 LF | 48.4 | 44 | 40.4 |
| 19 | SFW19R-3/4STE1 LF | 48.4 | 44 | 40.4 |
| 20 | SFW20R-3/4STE1 LF | 48.4 | 44 | 40.4 |
| 21 | SFW21R-3/4STE1 LF | 48.4 | 44 | 40.4 |
| 22 | SFW22R-3/4STE1 LF | 48.4 | 44 | 40.4 |
| 23 | SFW23R-3/4STE1 LF | 48.4 | 44 | 40.4 |
| 24 | SFW24R-3/4STE1 LF | 48.4 | 44 | 40.4 |
| 25 | SFW25R-3/4STE1 LF | 48.4 | 44 | 40.4 |
| 26 | SFW26R-3/4STE1 LF | 48.4 | 44 | 40.4 |
| 27 | SFW27R-3/4STE1 LF | 48.4 | 44 | 40.4 |
| 28 | SFW28R-3/4STE1 LF | 60.4 | 56 | 52.4 |
| 29 | SFW29R-3/4STE1 LF | 60.4 | 56 | 52.4 |
| 30 | SFW30R-3/4STE1 LF | 60.4 | 56 | 52.4 |



NOTES

1. THIS PRODUCT IS THE CONNECTOR USED FOR FPC/FFC AND COPES WITH AUTOMATIC MOUNTING (SMT).
2. THIS CATALOG NO. INDICATES PLASTIC TAPE PACKAGED CONNECTOR.
3. SEE PART DRAWINGS FOR DIMENSIONS E~G.
4. THIS PRODUCT IS THE CONNECTOR WITH CABLE LOCK MECHANISM.

| | | | | | | | | | | | |
|---------------------------|--|------------------|--|--|--|-------------------------------|--|--|--|----------------------|--|
| mat'l. code | | | | surface 58 / tolerance ISO 1302 / ISO 406 / ISO 1101 | | projection | | product family 58RF | | CODE JP | |
| litr ecn no dr date | | | | tolerances unless otherwise specified | | mm | | title | | | |
| AA J05-0055 H.T 2/4/05 | | | | angles linear | | scale X | | CAT NO. TABLE FOR PLASTIC TAPE PACKAGED 1mm SPACING SMT CONNECTOR (Cat. No. SFW__R-3/4STE1 LF) | | | |
| AB J06-0398 H.T 9/26/06 | | | | dr M.YAMASHITA 2009-10-8 | | FCJ | | dwg no JSA 95863 | | sheet 1 of 1 size A4 | |
| AC J09-0363 M.Y 2009-10-8 | | | | enr M.YAMASHITA 2009-10-8 | | type Product Customer Drawing | | | | | |
| | | | | chr S. Nishida 2009-10-8 | | | | | | | |
| | | | | appd J. Andam 2009-10-8 | | | | | | | |
| sheet index | | revision sheet 1 | | AC | | | | | | Rev. AC | |

SC_SFW11 JSA95860 95864 95865 form: A4



| PT. NO. | PARTS NAME | CAT. NO. | MATERIAL | Q'TY | NOTE |
|---------|-----------------------|---------------|-------------------|-------|--------------------|
| 1 | REEL | _____ | CARDBOARD | 1 | COLOR:WHITE |
| 2 | PLASTIC (EMBOSS) TAPE | _____ | PET | _____ | COLOR:TRANSPARENCY |
| 3 | COVER | _____ | POLYESTER | _____ | COLOR:TRANSPARENCY |
| 4 | CONNECTOR | SFW__R-3ST_LF | SEE ATTACHED DWG. | 2000 | LOWER CONTACT TYPE |

NOTES

1. THIS IS PLASTIC TAPE PACKAGED CONNECTOR WITH CABLE LOCK MECHANISM USED FOR FPC/FFC AND COPES WITH AUTOMATIC MOUNTING (SMT).
2. SEE JIS C 0806 (PACKING OF ELECTRONIC COMPONENTS ON CONTINUOUS TAPES (SURFACE MOUNTING DEVICES)) FOR SHAPE AND DIMENSIONS OF PLASTIC (EMBOSS) TAPE AND REEL.
3. E DIMENSION IS PORTION OF THE CORE.

| | | | | | | | | | | | |
|---------------------------|--|---------------------------------------|--|----------------------------|--|------------|--|--|--|---------|--|
| mat'l. code | | surface ISO 1302 | | tolerance ISO 406 ISO 1101 | | projection | | product family 58RF | | CODE JP | |
| ltr ecn no dr date | | tolerances unless otherwise specified | | angles linear | | mm | | title | | | |
| AA J05-0055 H.T 2/4/'05 | | ±5 | | | | | | PLASTIC TAPE PACKAGED 1mm SPACING SMT CONNECTOR (Cat. No. SFW__R-3STE1 LF) | | | |
| AB J06-0398 H.T 9/26/'06 | | ±5' | | | | scale X | | dwg no sheet 1 of 1 size | | | |
| AC J09-0363 M.Y 2009-10-8 | | dr H.YAMAGUCHI 2009-10-8 | | enr H.YAMAGUCHI 2009-10-8 | | FCJ | | JSA 95864 A4 | | | |
| | | chr S. W. H. L. 2009-10-8 | | appd S. Cholan 2009-10-8 | | | | type Product Customer Drawing | | | |
| sheet index | | revision sheet 1 | | AC | | | | | | Rev. AC | |

SC_SFW11 JSA95863 form: A4



| PT. NO. | PARTS NAME | CAT. NO. | MATERIAL | Q'TY | NOTE |
|---------|-----------------------|--------------|-------------------|------|--------------------|
| 1 | REEL | — | CARDBOARD | 1 | COLOR:WHITE |
| 2 | PLASTIC (EMBOSS) TAPE | — | PET | — | COLOR:TRANSPARENCY |
| 3 | COVER | — | POLYESTER | — | COLOR:TRANSPARENCY |
| 4 | CONNECTOR | SFW_R-4ST_LF | SEE ATTACHED DWG. | 2000 | UPPER CONTACT TYPE |

NOTES

1. THIS IS PLASTIC TAPE PACKAGED CONNECTOR WITH CABLE LOCK MECHANISM USED FOR FPC/FFC AND COPEs WITH AUTOMATIC MOUNTING (SMT).
2. SEE JIS C 0806 (PACKING OF ELECTRONIC COMPONENTS ON CONTINUOUS TAPES (SURFACE MOUNTING DEVICES)) FOR SHAPE AND DIMENSIONS OF PLASTIC (EMBOSS) TAPE AND REEL.
3. E DIMENSION IS PORTION OF THE CORE.

| | | | | | | | | | | | |
|-------------|----------|------------------|-----------|---------------------------------------|--|----------------------------|--|---|--|---------|--|
| mat'l. code | | surface ISO 1302 | | tolerance ISO 406 ISO 1101 | | projection | | product family 58RF | | CODE JP | |
| ltr | ecn no | dr | date | tolerances unless otherwise specified | | mm | | title | | | |
| AA | J05-0055 | H.T | 2/4/'05 | linear | | mm | | PLASTIC TAPE PACKAGED 1mm SPACING SMT CONNECTOR (Cat. No. SFW_R-4STE1 LF) | | | |
| AB | J06-0398 | H.T | 9/26/'06 | ±5' | | scale X | | dwg no sheet 1 of 1 size | | | |
| AC | J09-0363 | M.Y | 2009-10-8 | dr M.YAMASHITA 2009-10-8 | | FCJ | | JSA 95865 A4 | | | |
| sheet index | | revision sheet | | AC 1 | | engr M.YAMASHITA 2009-10-8 | | type Product Customer Drawing | | | |
| sheet index | | revision sheet | | AC 1 | | chr S. Kishida 2009-10-8 | | Rev. AC | | | |
| sheet index | | revision sheet | | AC 1 | | appd S. Gudam 2009-10-8 | | Rev. AC | | | |

SC_SFW11 JSA95863
form: A4



FCIconnect.com

Copyright FCI.



Компания «Life Electronics» занимается поставками электронных компонентов импортного и отечественного производства от производителей и со складов крупных дистрибьюторов Европы, Америки и Азии.

С конца 2013 года компания активно расширяет линейку поставок компонентов по направлению коаксиальный кабель, кварцевые генераторы и конденсаторы (керамические, пленочные, электролитические), за счёт заключения дистрибьюторских договоров

Мы предлагаем:

- Конкурентоспособные цены и скидки постоянным клиентам.
- Специальные условия для постоянных клиентов.
- Подбор аналогов.
- Поставку компонентов в любых объемах, удовлетворяющих вашим потребностям.
- Приемлемые сроки поставки, возможна ускоренная поставка.
- Доставку товара в любую точку России и стран СНГ.
- Комплексную поставку.
- Работу по проектам и поставку образцов.
- Формирование склада под заказчика.
- Сертификаты соответствия на поставляемую продукцию (по желанию клиента).
- Тестирование поставляемой продукции.
- Поставку компонентов, требующих военную и космическую приемку.
- Входной контроль качества.
- Наличие сертификата ISO.

В составе нашей компании организован Конструкторский отдел, призванный помогать разработчикам, и инженерам.

Конструкторский отдел помогает осуществить:

- Регистрацию проекта у производителя компонентов.
- Техническую поддержку проекта.
- Защиту от снятия компонента с производства.
- Оценку стоимости проекта по компонентам.
- Изготовление тестовой платы монтаж и пусконаладочные работы.



Тел: +7 (812) 336 43 04 (многоканальный)
Email: org@lifeelectronics.ru