

MAX14775E/MAX14776E**±65V Fault Protected 500kbps/20Mbps
Half-Duplex RS-485/RS-422 Transceivers****General Description**

The MAX14775E/MAX14776E fault-protected RS-485/RS-422 transceivers feature ±65V protection for overvoltage signal faults on communication bus lines, ensuring communication in harsh industrial environments. Each device contains one driver and one receiver and operates over the 3V to 5.5V supply range. The MAX14775E is optimized for high-speed data rates up to 20Mbps. The MAX14776E features slew-rate limited outputs for data rates up to 500kbps.

These transceivers are optimized for robust communication in noisy environments. A large 200mV (typ) hysteresis on receiver inputs ensure for high noise rejection and a fail-safe feature guarantees a logic-high on the receiver output when the inputs are open or shorted. Driver outputs are protected against short-circuit conditions.

The MAX14775E/MAX14776E receivers feature a 1/3-unit load input impedance, allowing up to 100 transceivers on a bus.

The MAX14775E/MAX14776E are available in 8-pin SOIC and 8-pin TDFN-EP packages and operate over the -40°C to +125°C temperature range.

Benefits and Features

- Integrated Protection Ensures for Robust Communication
 - ±65V Fault Protection Range on Driver Outputs/Receiver Inputs
 - ±25V Common Mode Range on the Receiver Inputs
 - Large Receiver Hysteresis Increases Noise Tolerance
 - Hot-Swap Protection
 - Thermal Shutdown
- High-Performance Transceiver Enables Flexible Designs
 - Compliant with RS-485 EIA/TIA-485 Standard
 - 20Mbps (MAX14775E)/500kbps (MAX14776E) Maximum Data Rate
 - 3V to 5.5V Supply Range
 - Up to 100 Devices on the Bus

Applications

- Industrial Field Bus Networks
- Motion Controllers
- HVAC

[Ordering Information](#) appears at end of data sheet.

Selector Guide

| PART NUMBER | MAX DATA RATE | PIN-PACKAGE |
|---------------|---------------|-------------|
| MAX14775EASA+ | 20Mbps | 8 SOIC |
| MAX14775EATA+ | 20Mbps | 8 TDFN-EP |
| MAX14776EASA+ | 500kbps | 8 SOIC |
| MAX14776EATA+ | 500kbps | 8TDFN-EP |

MAX14775E/MAX14776E

±65V Fault Protected 500kbps/20Mbps Half-Duplex RS-485/RS-422 Transceivers

Absolute Maximum Ratings

(All voltages referenced to GND)

| | |
|---|-----------------------------------|
| V _{CC} | -0.3V to +6V |
| RO | -0.3V to (V _{CC} + 0.3V) |
| DE, DI, \overline{RE} | -0.3V to +6V |
| A, B (I _{MAX} = ±1mA) | -70V to +70V |
| Short-Circuit Duration (RO, A, B) | Continuous |

| | |
|---|-----------------|
| Continuous Power Dissipation (T _A = +70°C) | |
| 8-pin SOIC (derate 7.60mW/°C above +70°C) | 606.1mW |
| 8-pin TDFN (derate 24.4mW/°C above +70°C) | 1951.2mW |
| Operating Temperature Range | -40°C to +125°C |
| Junction Temperature | +150°C |
| Storage Temperature Range | -65°C to +150°C |
| Lead Temperature (soldering, 10s) | +300°C |
| Soldering Temperature (reflow) | +260°C |

Stresses beyond those listed under "Absolute Maximum Ratings" may cause permanent damage to the device. These are stress ratings only, and functional operation of the device at these or any other conditions beyond those indicated in the operational sections of the specifications is not implied. Exposure to absolute maximum rating conditions for extended periods may affect device reliability.

Package Thermal Characteristics (Note 1)

SOIC

| | |
|---|---------|
| Junction-to-Ambient Thermal Resistance (θ _{JA}) | 132°C/W |
| Junction-to-Case Thermal Resistance (θ _{JC}) | 38°C/W |

TDFN

| | |
|---|--------|
| Junction-to-Ambient Thermal Resistance (θ _{JA}) | 41°C/W |
| Junction-to-Case Thermal Resistance (θ _{JC}) | 8°C/W |

Note 1: Package thermal resistances were obtained using the method described in JEDEC specification JESD51-7, using a four-layer board. For detailed information on package thermal considerations, refer to www.maximintegrated.com/thermal-tutorial.

DC Electrical Characteristics

(V_{CC} = 3.0V to 5.5V, T_A = T_{MIN} to T_{MAX}, unless otherwise noted. Typical values are at V_{CC} = 3.3V and T_A = +25°C.) (Note 2)

| PARAMETER | SYMBOL | CONDITIONS | MIN | TYP | MAX | UNITS |
|---|------------------------|--|----------------------|--------------------|------|-------|
| POWER | | | | | | |
| Supply Voltage | V _{CC} | | 3.0 | | 5.5 | V |
| Supply Current | I _{CC} | DE = high, \overline{RE} = low, no load, no switching | | 3 | 5.3 | mA |
| Shutdown Supply Current | I _{SH} | DE = high, \overline{RE} = low | | 4 | | µA |
| Shutdown Short-Circuit Supply Current | I _{SHDN_SHRT} | A or B shorted to ±65V, DE = high, \overline{RE} = low | | 240 | | µA |
| DRIVER | | | | | | |
| Differential Driver Output | V _{OD} | R _L = 54Ω, Figure 1a | 1.5 | | | V |
| | | R _L = 100Ω, Figure 1a | 2.0 | | | |
| Change in Magnitude of Differential Driver Output Voltage | ΔV _{OD} | R _L = 100Ω or 54Ω, Figure 1a (Note 3) | -0.2 | | +0.2 | V |
| Driver Common-Mode Output Voltage | V _{OC} | R _L = 100Ω or 54Ω, Figure 1a | | V _{CC} /2 | 3 | V |
| Change in Magnitude of Common-Mode Voltage | ΔV _{OC} | R _L = 100Ω or 54Ω, Figure 1a (Note 3) | -0.2 | | +0.2 | V |
| Single-Ended Driver Output Voltage High | V _{OH} | A and B outputs, output is high, I _{SOURCE} = 3mA | V _{CC} -0.2 | | | V |
| Single-Ended Driver Output Voltage Low | V _{OL} | A and B outputs, output is low, I _{SINK} = 3mA | | | 0.2 | V |
| Driver Short-Circuit Output Current | I _{OSD1} | -65V ≤ V _A or V _B < 0V or V _{CC} < V _A or V _B ≤ +65V (Note 4) | | | 200 | mA |

DC Electrical Characteristics (continued)(V_{CC} = 3.0V to 5.5V, T_A = T_{MIN} to T_{MAX}, unless otherwise noted. Typical values are at V_{CC} = 3.3V and T_A = +25°C.) (Note 2)

| PARAMETER | SYMBOL | CONDITIONS | MIN | TYP | MAX | UNITS |
|--|---------------------------------|---|------------------------|------|------------------------|-------|
| Average Driver Short-Circuit Output Current | I _{OSD2} | 0V ≤ V _A or V _B ≤ V _{CC} | | | 250 | mA |
| RECEIVER | | | | | | |
| Input Current (A, B) | I _A , I _B | DE = low, 0V ≤ V _{CC} ≤ 5.5V | V _{CM} = +12V | | +280 | μA |
| | | | V _{CM} = -7V | -200 | | |
| Receiver Input Resistance | R _{IN} | -7V ≤ V _{CM} ≤ +12V | 38 | | | kΩ |
| Common Mode Voltage Range | V _{CM} | | -25 | | +25 | V |
| Receiver Differential Threshold Voltage Rising | V _{THH} | -25V ≤ V _{CM} ≤ +25V | +40 | | +200 | mV |
| Receiver Differential Threshold Voltage Falling | V _{THL} | -25V ≤ V _{CM} ≤ +25V | -200 | | -40 | mV |
| Receiver Input Hysteresis | ΔV _{TH} | V _{CM} = 0V, time from last transition < t _{D_FS} | | 250 | | mV |
| Differential Input Fail-safe Threshold | V _{TH_FSH} | 25V ≤ V _{CM} ≤ +25V, time from last transition > t _{D_FS} | -40 | | +40 | mV |
| Differential Input Capacitance | C _{A,B} | Measured between A and B, f = 1MHz | | 50 | | pF |
| LOGIC OUTPUTS (RO) | | | | | | |
| RO Output Logic High Voltage | V _{OH} | I _{SOURCE} = 3mA, (V _A - V _B) ≥ +200mV | V _{CC} -0.4 | | | V |
| RO Output Logic Low Voltage | V _{OL} | I _{SINK} = 3mA, (V _A - V _B) < +200mV | | | 0.4 | V |
| RO Leakage Current | I _{OZR} | \overline{RE} = high, 0V ≤ V _{RO} ≤ V _{CC} | -1 | | +1 | μA |
| RO Short-Circuit Current | I _{OSR} | 0V ≤ V _{RO} ≤ V _{CC} | | 70 | | mA |
| LOGIC INPUTS (DE, DI, \overline{RE}) | | | | | | |
| Input Logic High Voltage | V _{IH} | | 0.67 x V _{CC} | | | V |
| Input Logic Low Voltage | V _{IL} | | | | 0.33 x V _{CC} | V |
| Input Hysteresis | V _{HYS} | | | 100 | | mV |
| Input Leakage Current | I _{IN} | | -1 | | +1 | μA |
| Input Impedance on First Transition | R _{IN_FT} | DE, \overline{RE} | 1 | | 10 | kΩ |
| PROTECTION | | | | | | |
| Thermal-Shutdown Threshold | T _{SHDN} | Temperature rising | | +162 | | °C |
| Thermal-Shutdown Hysteresis | T _{HYST} | | | 12 | | °C |
| ESD Protection (A, B Pins to GND) | | Human Body Model | | ±8 | | kV |
| | | IEC 61000-4-2- Contact Discharge | | ±5 | | |
| ESD Protection (All Other Pins) | | Human Body Model | | ±2 | | kV |
| Fault Protection Range (A, B Pins to GND) | | | -65 | | +65 | V |

Switching Electrical Characteristics (MAX14775E)(V_{CC} = 3.0V to 5.5V, T_A = T_{MIN} to T_{MAX}, unless otherwise noted. Typical values are at V_{CC} = 3.3V and T_A = +25°C.) (Note 2)

| PARAMETER | SYMBOL | CONDITIONS | MIN | TYP | MAX | UNITS |
|---|---------------------------------------|---|-----|-----|------|-------|
| DRIVER | | | | | | |
| Driver Propagation Delay | t _{DPLH} , t _{DPHL} | R _L = 54Ω, C _L = 50pF, Figure 2 and Figure 3 | | | 40 | ns |
| Differential Driver Output Skew t _{DPLH} - t _{DPHL} | t _{DSKEW} | R _L = 54Ω, C _L = 50pF, Figure 2 and Figure 3 (Note 7) | | | 9 | ns |
| Driver Differential Output Rise or Fall Time | t _{LH} , t _{HL} | R _L = 54Ω, C _L = 50pF, Figure 2 and Figure 3 (Note 7) | | 8 | 15 | ns |
| Maximum Data Rate | DR _{MAX} | | 20 | | | Mbps |
| Driver Enable to Output High | t _{DZH} | R _L = 110Ω, C _L = 50pF, Figure 4 | | | 90 | ns |
| Driver Enable to Output Low | t _{DZL} | R _L = 110Ω, C _L = 50pF, Figure 5 | | | 90 | ns |
| Driver Enable Time | t _D | -20V ≤ V _{CM} ≤ +25V, 4.5V ≤ V _{CC} ≤ 5.5V, Figure 1a | | | 1000 | ns |
| Driver Disable Time From Low | t _{DLZ} | R _L = 110Ω, C _L = 50pF, Figure 5 | | | 50 | ns |
| Driver Disable Time From High | t _{DHZ} | R _L = 110Ω, C _L = 50pF, Figure 4 | | | 50 | ns |
| Driver Enable Time from Shutdown to Output High | t _{DLZ} (SHDN) | R _L = 110Ω, C _L = 50pF, Figure 4 (Note 5) | | | 170 | μs |
| Driver Enable Time from Shutdown to Output Low | t _{DHZ} (SHDN) | R _L = 110Ω, C _L = 50pF, Figure 4 (Note 5) | | | 170 | μs |
| Time to Shutdown | t _{SHDN} | (Note 5) | 50 | | 800 | ns |
| RECEIVER (Note 6) | | | | | | |
| Receiver Propagation Delay | t _{RPLH} , t _{RPHL} | C _L = 15pF, Figure 6 and Figure 7 | | | 50 | ns |
| Receiver Output Skew | t _{RSKEW} | C _L = 15pF, Figure 6 and Figure 7 (Note 7) | | | 5 | ns |
| Receiver Enable to Output High | t _{RZH} | R _L = 1kΩ, C _L = 15pF, S2 closed, Figure 8 | | | 50 | ns |
| Receiver Enable to Output Low | t _{RZL} | R _L = 1kΩ, C _L = 15pF, S1 closed, Figure 8 | | | 50 | ns |
| Receiver Disable Time From Low | t _{RLZ} | R _L = 1kΩ, C _L = 15pF, S1 closed, Figure 8 | | | 50 | ns |
| Receiver Disable Time From High | t _{RHZ} | R _L = 1kΩ, C _L = 15pF, S2 closed, Figure 8 | | | 50 | ns |
| Receiver Enable from Shutdown to Output Low | t _{RLZ} (SHDN) | R _L = 1kΩ, C _L = 15pF, S2 closed, Figure 8 (Note 5) | | | 170 | μs |
| Receiver Enable from Shutdown to Output High | t _{RHZ} (SHDN) | R _L = 1kΩ, C _L = 15pF, S2 closed, Figure 8 (Note 5) | | | 170 | μs |
| Time to Shutdown | t _{SHDN} | (Note 5) | 50 | | 800 | ns |
| Delay to Fail-Safe Operation | t _{D_FS} | | | 10 | | μs |

Switching Electrical Characteristics (MAX14776E)

(V_{CC} = 3.0V to 5.5V, T_A = T_{MIN} to T_{MAX}, unless otherwise noted. Typical values are at V_{CC} = 3.3V and T_A = +25°C.) (Note 2)

| PARAMETER | SYMBOL | CONDITIONS | MIN | TYP | MAX | UNITS |
|---|---------------------------------------|---|-------------------------------|-----|------|-------|
| DRIVER | | | | | | |
| Driver Propagation Delay | t _{DPLH} , t _{DPHL} | R _L = 54Ω, C _L = 50pF, Figure 2 and Figure 3 | 100 | | 1000 | ns |
| Differential Driver Output Skew t _{DPLH} - t _{DPHL} | t _{DSKEW} | R _L = 54Ω, C _L = 50pF, Figure 2 and Figure 3 (Note 7) | | | 140 | ns |
| Driver Differential Output Rise or Fall Time | t _{LH} , t _{HL} | R _L = 54Ω, C _L = 50pF, Figure 2 and Figure 3 | 3V ≤ V _{CC} ≤ 3.6V | 105 | 600 | ns |
| | | | 4.5V ≤ V _{CC} ≤ 5.5V | 105 | 600 | |
| Maximum Data Rate | DR _{MAX} | | 500 | | | kbps |
| Driver Enable to Output High | t _{DZH} | R _L = 110Ω, C _L = 50pF, Figure 4 | | | 2500 | ns |
| Driver Enable to Output Low | t _{DZL} | R _L = 110Ω, C _L = 50pF, Figure 5 | | | 2500 | ns |
| Driver Enable Time | t _D | -20V ≤ V _{CM} ≤ +25V, 4.5V ≤ V _{CC} ≤ 5.5V, Figure 1a | | | 3500 | ns |
| Driver Disable Time From Low | t _{DLZ} | R _L = 110Ω, C _L = 50pF, Figure 5 | | | 100 | ns |
| Driver Disable Time From High | t _{DHZ} | R _L = 110Ω, C _L = 50pF, Figure 4 | | | 100 | ns |
| Driver Enable Time from Shutdown to Output High | t _{DLZ(SHDN)} | R _L = 110Ω, C _L = 50pF, Figure 4 (Note 5) | | | 170 | μs |
| Driver Enable Time from Shutdown to Output Low | t _{DHZ(SHDN)} | R _L = 110Ω, C _L = 50pF, Figure 4 (Note 5) | | | 170 | μs |
| Time to Shutdown | t _{SHDN} | (Note 5) | 50 | | 800 | ns |
| RECEIVER (Note 6) | | | | | | |
| Receiver Propagation Delay | t _{RPLH} , t _{RPHL} | C _L = 15pF, Figure 6 and Figure 7 | | | 200 | ns |
| Receiver Output Skew | t _{RSKEW} | C _L = 15pF, Figure 6 and Figure 7 (Note 7) | | | 30 | ns |
| Receiver Enable to Output High | t _{RZH} | R _L = 1kΩ, C _L = 15pF, S2 closed, Figure 8 | | | 50 | ns |
| Receiver Enable to Output Low | t _{RZL} | R _L = 1kΩ, C _L = 15pF, S1 closed, Figure 8 | | | 50 | ns |
| Receiver Disable Time from Low | t _{RLZ} | R _L = 1kΩ, C _L = 15pF, S1 closed, Figure 8 | | | 50 | ns |
| Receiver Disable Time from High | t _{RHZ} | R _L = 1kΩ, C _L = 15pF, S2 closed, Figure 8 | | | 50 | ns |
| Receiver Enable from Shutdown to Output High | t _{RLZ(SHDN)} | R _L = 1kΩ, C _L = 15pF, S2 closed, Figure 8 | | | 170 | μs |
| Receiver Enable from Shutdown to Output Low | t _{RHZ(SHDN)} | R _L = 1kΩ, C _L = 15pF, S2 closed, Figure 8 | | | 170 | μs |
| Time to Shutdown | t _{SHDN} | (Note 5) | 50 | | 800 | ns |
| Delay to Fail-Safe Operation | t _{D_FS} | | | 10 | | μs |

Switching Electrical Characteristics (MAX14776E) (continued)

($V_{CC} = 3.0V$ to $5.5V$, $T_A = T_{MIN}$ to T_{MAX} , unless otherwise noted. Typical values are at $V_{CC} = 3.3V$ and $T_A = +25^{\circ}C$.) (Note 2)

- Note 2:** All devices are 100% production tested at $T_A = +25^{\circ}C$. Specifications over temperature are guaranteed by design.
- Note 3:** ΔV_{OD} and ΔV_{OC} are the changes in V_{OD} and V_{OC} , respectively, when the DI input changes state.
- Note 4:** The short-circuit current is 200mA (max) for a short period (35 μ s, typ). If the short circuit persists, the outputs are then set to high impedance for 300ms (typ).
- Note 5:** Shutdown is enabled when \overline{RE} is high and DE is low. If the enable inputs are in this state for less than 50ns, the device is guaranteed not to enter shutdown. If the enable inputs are held in this state for at least 800ns, the device is guaranteed to have entered shutdown.
- Note 6:** Capacitive load includes test probe and fixture capacitance.
- Note 7:** Guaranteed by design. Not production tested.

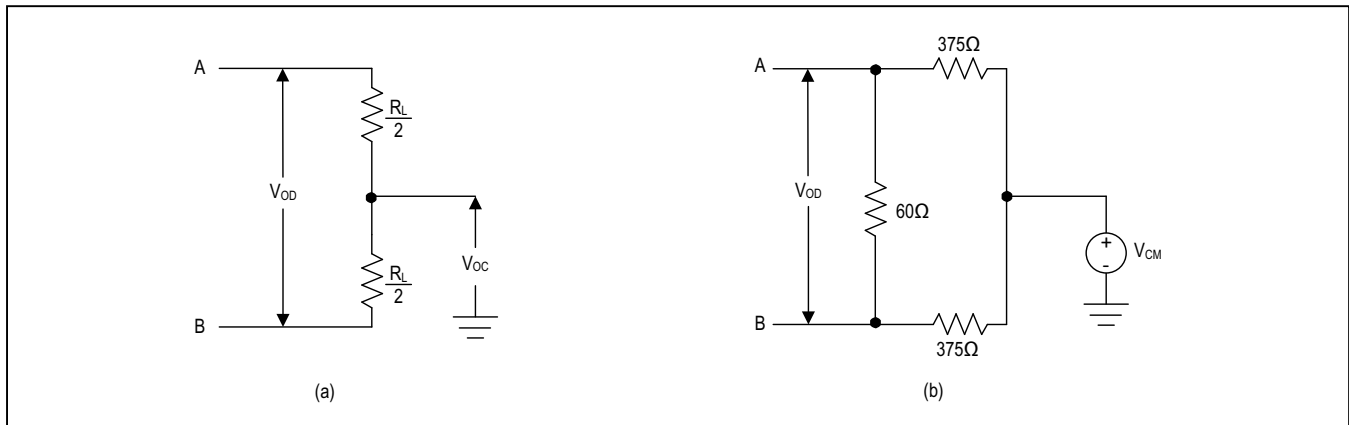


Figure 1. Driver DC Test Load

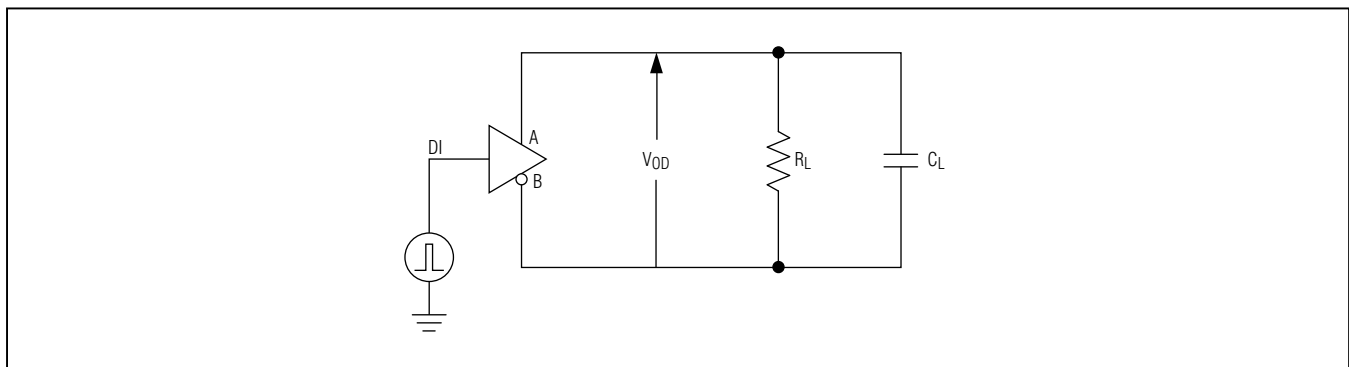


Figure 2. Driver Timing Test Circuit

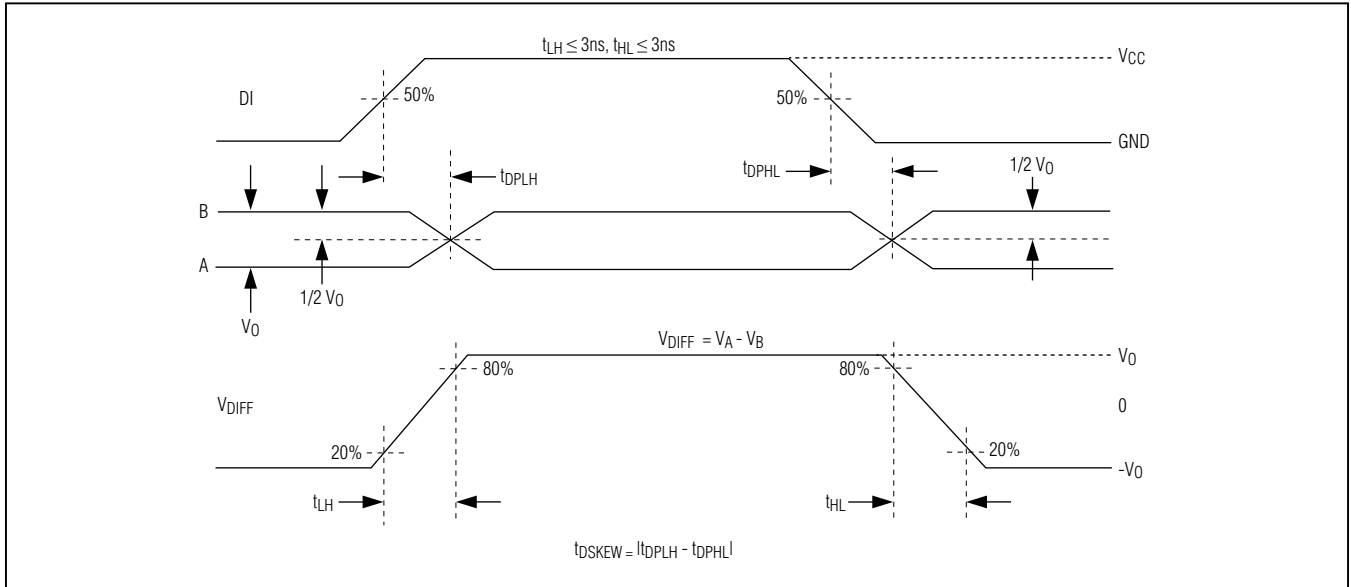


Figure 3. Driver Propagation Delays

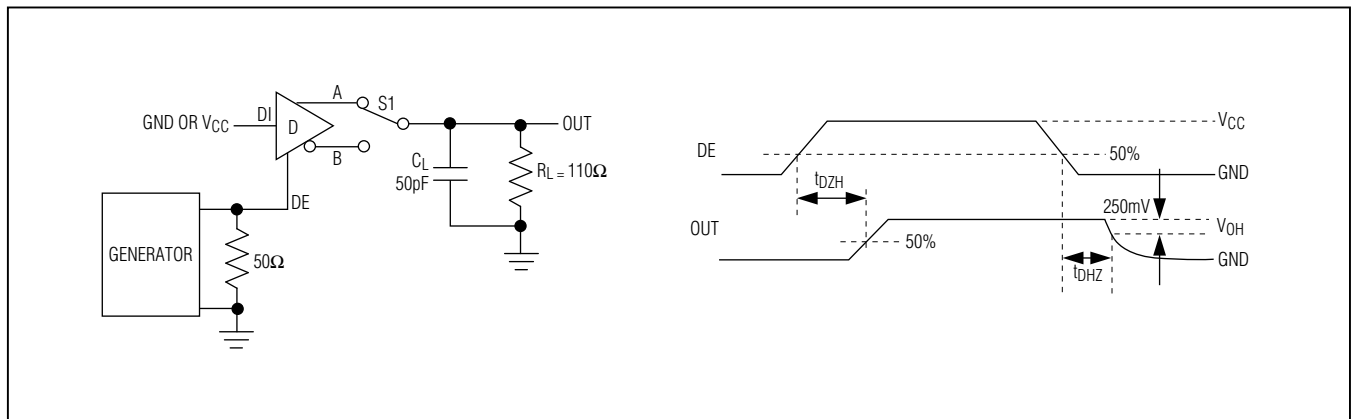


Figure 4. Driver Enable and Disable Times (t_{DZH} , t_{DHZ})

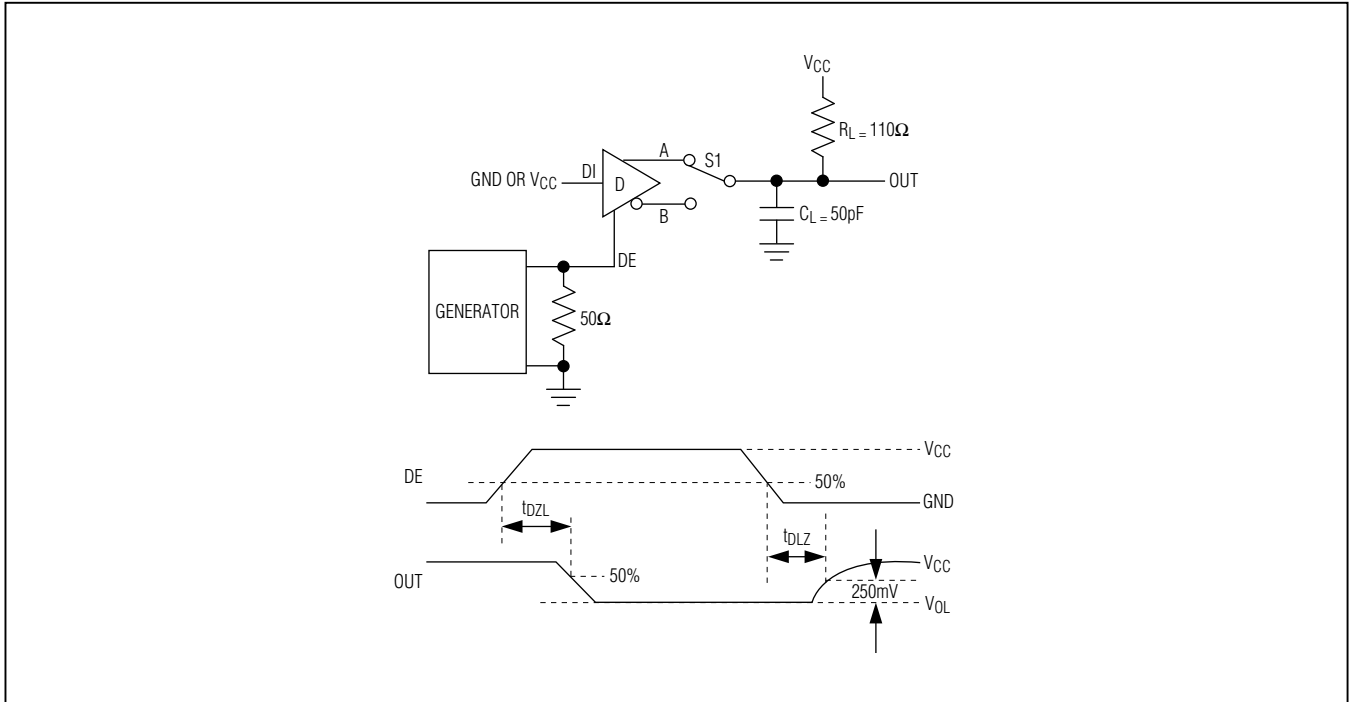


Figure 5. Driver Enable and Disable Times (t_{DZL} , t_{DLZ})

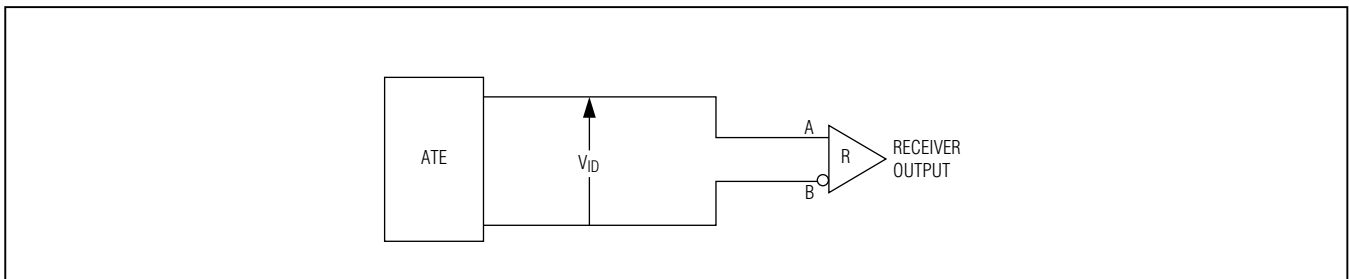


Figure 6. Receiver Propagation Delay Test Circuit

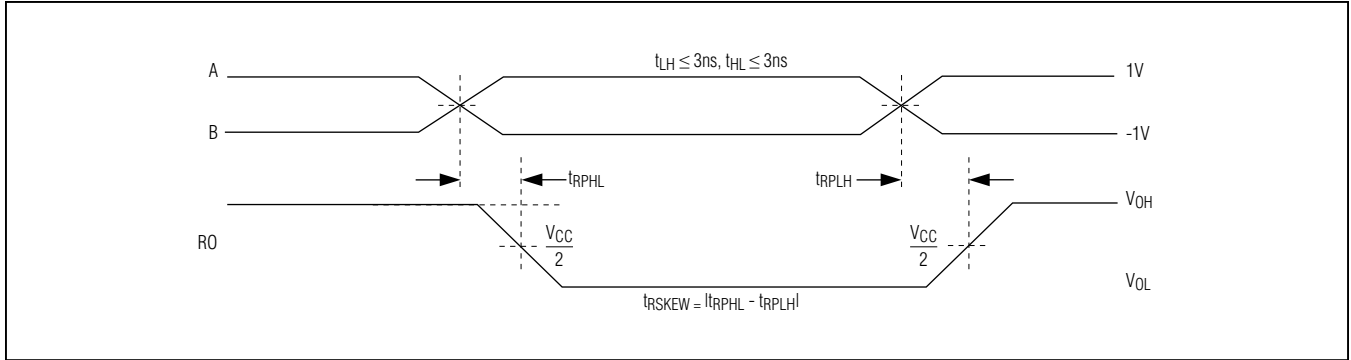


Figure 7. Receiver Propagation Delays

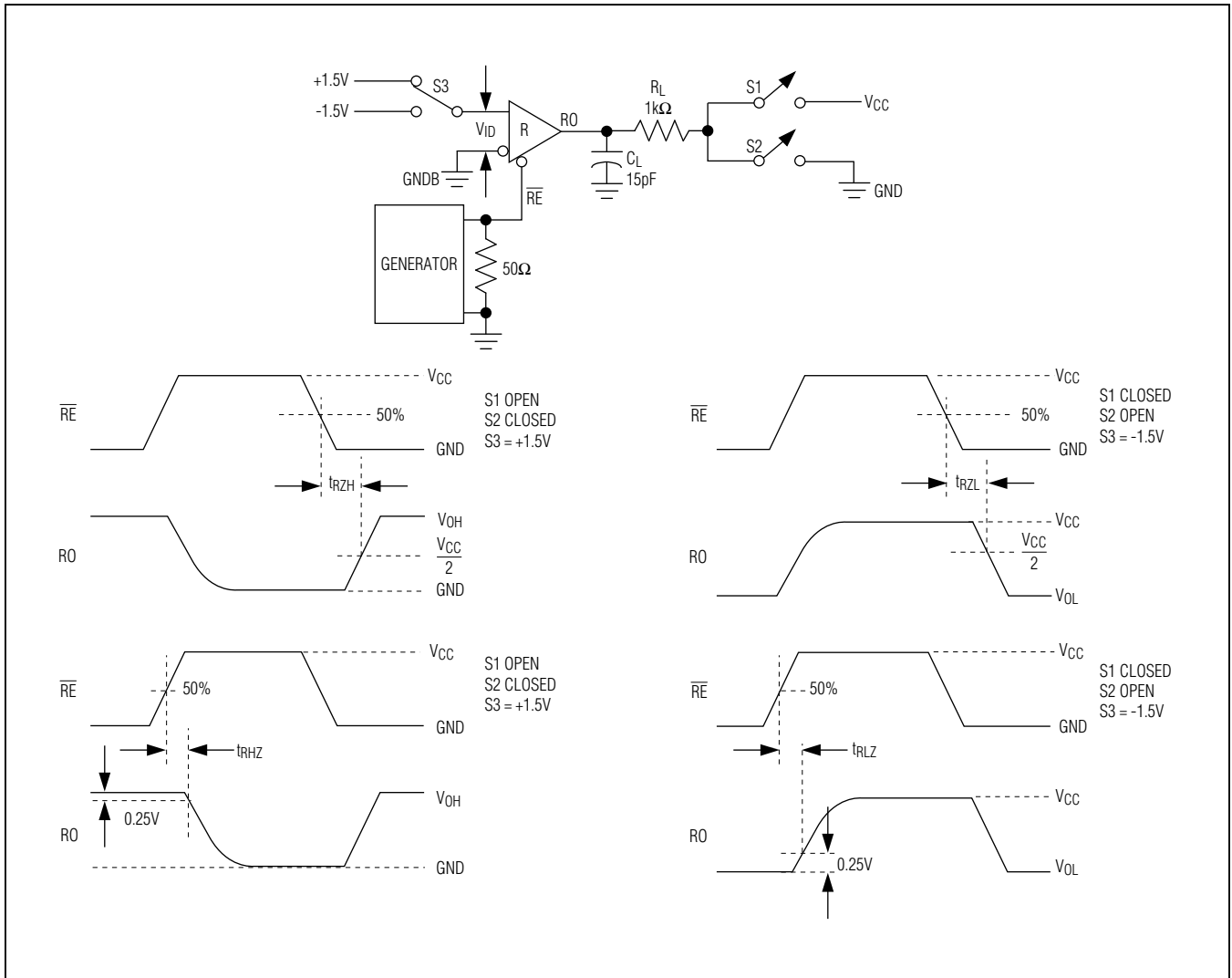
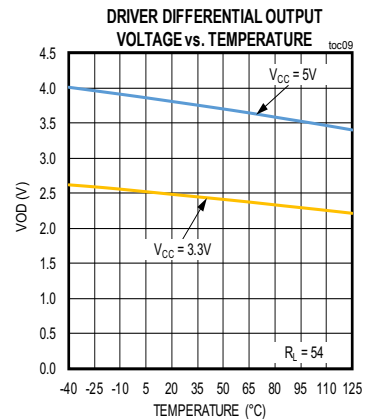
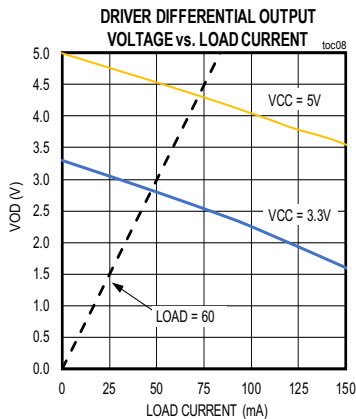
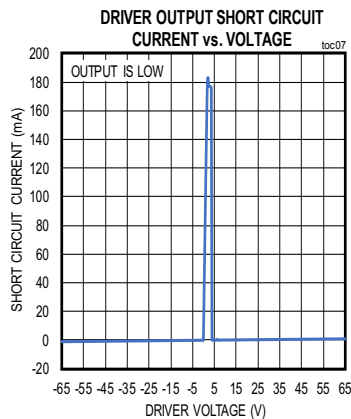
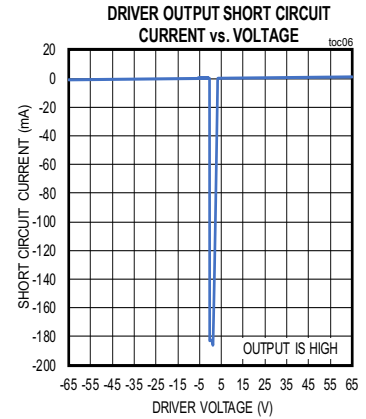
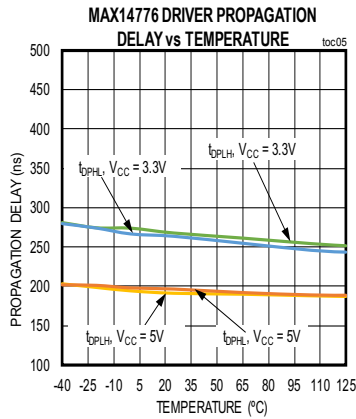
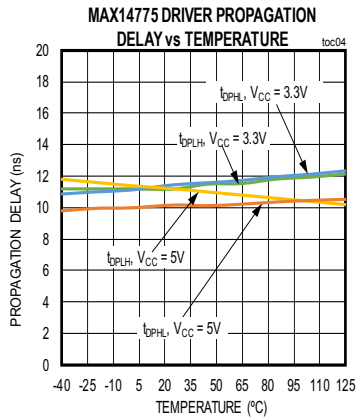
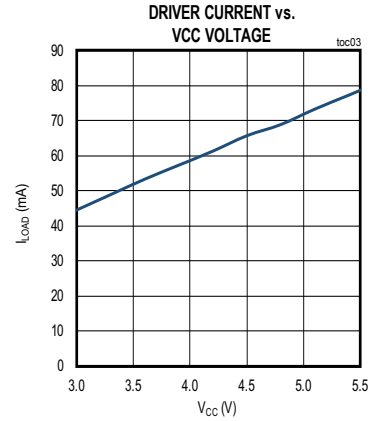
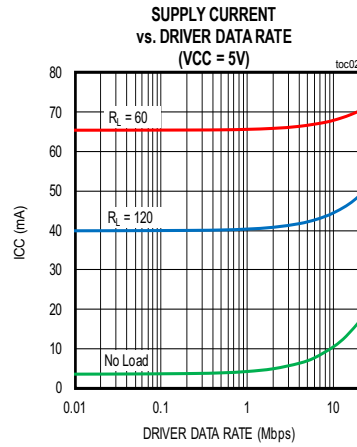
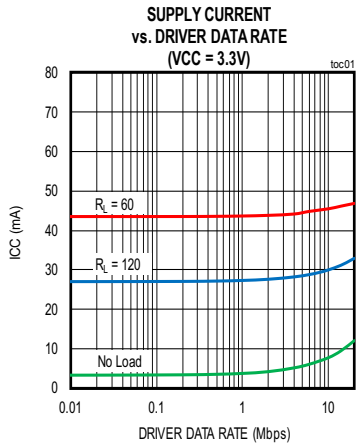


Figure 8. Receiver Enable and Disable Times

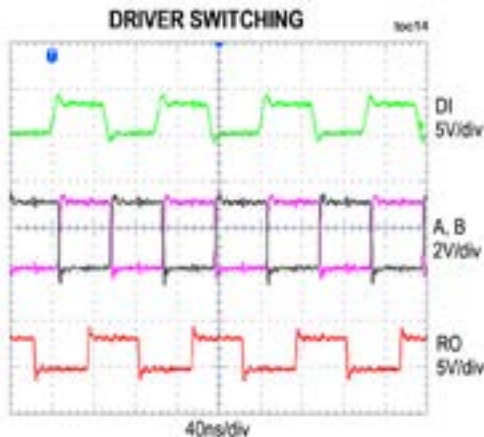
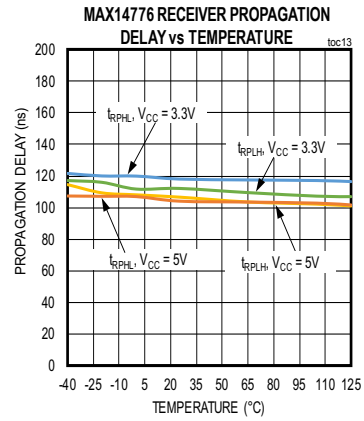
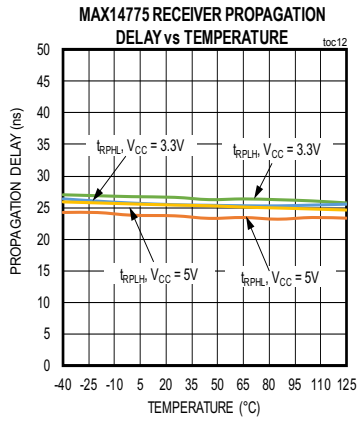
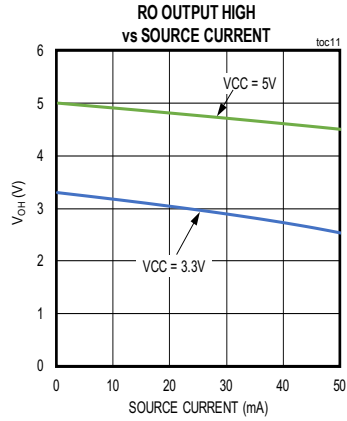
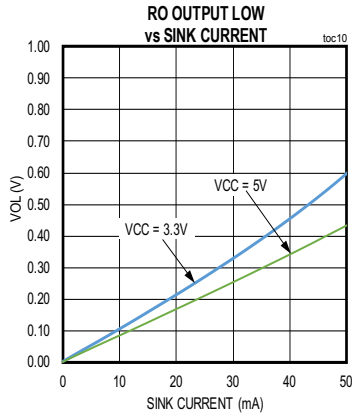
Typical Operating Characteristics

(V_{CC} = 3.3V, T_A = +25°C, unless otherwise noted.)

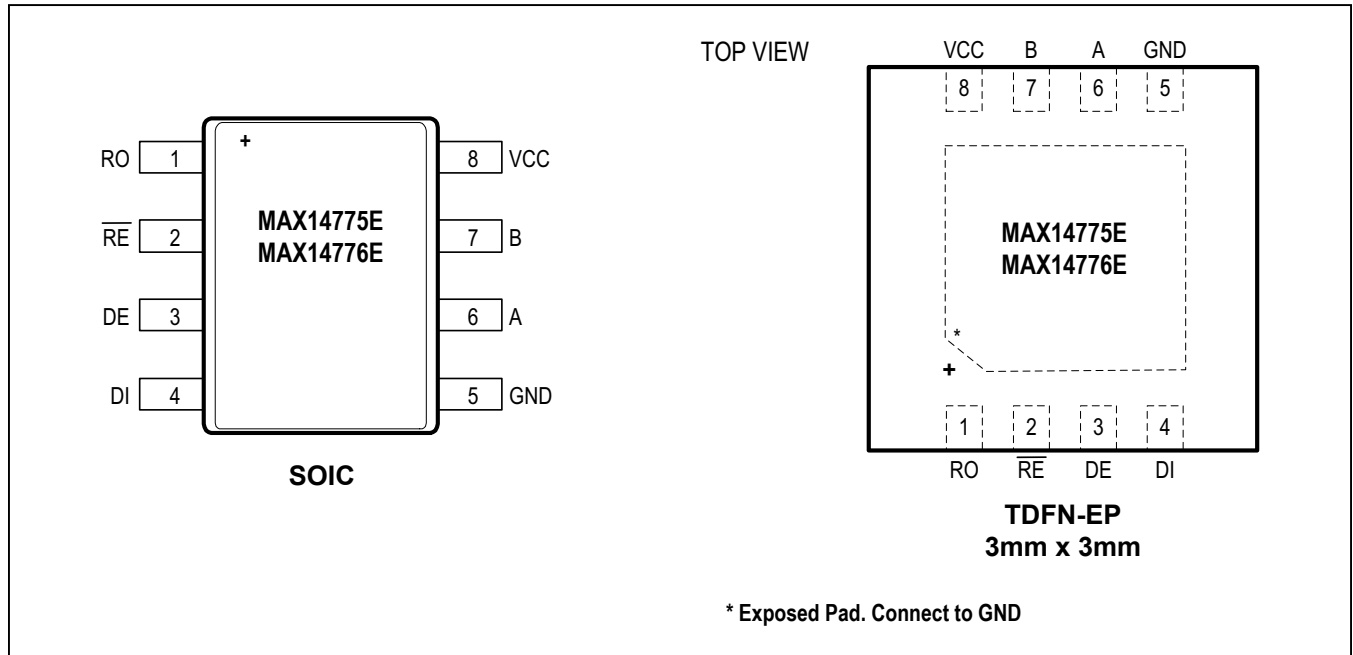


Typical Operating Characteristics (continued)

(V_{CC} = 3.3V, T_A = +25°C, unless otherwise noted.)



Pin Configurations



Pin Description

| PIN | NAME | FUNCTION |
|-----|-----------------|--|
| 1 | RO | Receiver Data Output. See the <i>Function Tables</i> for more information. |
| 2 | \overline{RE} | Receiver Output Enable. Drive \overline{RE} low or connect to GND to enable RO. Drive \overline{RE} high to disable the receiver. RO is high impedance when \overline{RE} is high. Drive \overline{RE} high and DE low to force the IC into low-power shutdown mode. |
| 3 | DE | Driver Output Enable. Drive DE high to enable the driver. Drive DE low or connect to GND to disable the driver. Drive DE low and \overline{RE} high to force the IC into low-power shutdown mode. |
| 4 | DI | Driver Input. With DE high, a low on DI forces the noninverting output (A) low and the inverting output (B) high. Similarly, a high on DI forces the noninverting output high and the inverting output low. |
| 5 | GND | Ground |
| 6 | A | Noninverting Driver Output/Receiver Input |
| 7 | B | Inverting Driver Output/Receiver Input |
| 8 | VCC | Power Supply Input. Bypass VCC to GND with a 0.1µF capacitor as close as possible to the device. |
| - | EP | Exposed Pad. TDFN package only. Connect EP to GND. EP is not intended as the main ground connection. |

Function Tables

| TRANSMITTING | | | | |
|-----------------|----|----|---------------------------------------|----------------|
| INPUTS | | | OUTPUTS | |
| \overline{RE} | DE | DI | B | A |
| X | 1 | 1 | 0 | 1 |
| X | 1 | 0 | 1 | 0 |
| 0 | 0 | X | High Impedance | High Impedance |
| 1 | 0 | X | Shutdown. A and B are high impedance. | |

Note: X = Don't care.

| RECEIVING | | | | |
|-----------------|----|---|-------------------------------|--|
| INPUTS | | | | OUTPUTS |
| \overline{RE} | DE | ($V_A - V_B$) | Time from Last A-B Transition | RO |
| 0 | X | $\geq +200\text{mV}$ | Always | 1 |
| 0 | X | $-200\text{mV} < (V_A - V_B) < +200\text{mV}$ | $< t_{D_FS}$ | Indeterminate. RO is latched to previous value. |
| 0 | X | $-40\text{mV} < (V_A - V_B) < +40\text{mV}$ | $> t_{D_FS}$ | 1 |
| 0 | X | $\leq -200\text{mV}$ | Always | 0 |
| 0 | X | Open/Shorted | $> t_{D_FS}$ | 1 |
| 1 | 1 | X | X | High impedance |
| 1 | 0 | X | X | Shutdown. RO is high impedance. |

Note: X = Don't care.

Detailed Description

The MAX14775E/MAX14776E half-duplex transceivers are optimized for RS-485/RS-422 applications that require up to ±65V protection from faults on communication bus lines. These devices contain one differential driver and one differential receiver. The devices feature a 1/3 unit load, allowing up to 100 transceivers on a single bus.

The MAX14775E supports data rates up to 20Mbps. The MAX14776E supports data rates up to 500kbps.

Driver

The driver accepts a single-ended, logic-level input (DI) and transfers it to a differential RS-485 level output on the A and B driver outputs.

Set the driver enable input (DE) low to disable the driver. A and B are high impedance when the driver is disabled.

Receiver

The receiver accepts a differential, RS-485 level input on the A and B inputs and transfers it to a single-ended, logic-level output (RO).

Drive the receiver enable input (\overline{RE}) low to enable the receiver. Driver \overline{RE} high to disable the receiver. RO is high impedance when \overline{RE} is high.

Low-Power Shutdown

Drive DE low and \overline{RE} high for at least 800ns to put the MAX14775E/MAX14776E into low-power shutdown mode. Supply current drops to 20µA when the device is in shutdown mode.

A glitch protection feature ensures that the MAX14775E/MAX14776E will not accidentally enter shutdown mode due to logic skews between DE and \overline{RE} when switching between transmit and receive modes.

±65V Fault Protection

The driver outputs/receiver inputs of transceivers connected to an industrial RS-485 network often experience faults when shorted to voltages that exceed the -7V to +12V input range specified in the EIA/TIA-485 standard. Under such circumstances, ordinary RS-485 transceivers that have a typical absolute maximum voltage rating of -8V to +12.5V require costly external protection devices which can compromise the RS-485 performance. To reduce system complexity and the need for external protection, the driver outputs/receiver inputs of the MAX14775E/MAX14776E are designed to withstand voltage faults of up to ±65V with respect to ground without damage. Protection is guaranteed regardless whether the transceiver is active, in shutdown or without power.

When a fault is detected on A or B, the affected driver output is switched into a high-impedance state. After 300ms (typ), the driver output is re-enabled for 30µs (typ). If the fault condition persists, the driver output is again disabled. If the fault has been removed, the driver outputs remain on and the transceiver operates normally.

Driving a non-terminated cable may cause the voltage seen at the driver outputs (A or B) to exceed the absolute maximum voltage rating if the DI input is switched during a ±65V fault on the A or B pins. Therefore, a termination resistor is recommended in order to maximize the overvoltage fault protection while the DI input is being switched.

If the DI input does not change state while the fault condition is present, the MAX14775E/MAX14776E will withstand up to ±65V on the RS-485 inputs, regardless of the termination status of the data cable.

Fail-Safe

The devices' receiver features symmetrical thresholds to improve the duty cycle of the received signal, ensuring that it is 50% when the received signal amplitude is small. Additionally, a high input hysteresis (250mV, typ) increases the resilience to noise on the receiver.

The MAX14775E/MAX14776E also include a fail-safe feature that ensures the receiver output (RO) is high when the receiver inputs are shorted or open, or when they are connected to a differentially terminated transmission line with all drivers disabled for longer than t_{D_FS} (10µs, typ).

Hot-Swap Functionality

Hot-Swap Inputs

Inserting circuit boards into a hot, or powered backplane may cause voltage transients on DE, \overline{RE} , and receiver inputs A and B that can lead to data errors. For example, upon initial circuit board insertion, the processor undergoes a power-up sequence. During this period, the high-impedance state of the output drivers makes them unable to drive the MAX14775E/MAX14776E enable inputs to a defined logic level. Meanwhile, leakage currents of up to 10µA from the high-impedance output, or capacitively coupled noise from V_{CC} or GND, could cause an input to drift to an incorrect logic state. To prevent such a condition from occurring, the MAX14775E/MAX14776E features hot-swap input circuitry on DE and \overline{RE} to safeguard against unwanted driver activation during hot-swap situations. When V_{CC} rises, an internal pulldown circuit holds DE low and \overline{RE} high for at least 10µs. After the initial power-up sequence, the internal pulldown/pullup circuitry becomes transparent, resetting the hot-swap tolerable inputs.

Thermal Shutdown Protection

The MAX14775E/MAX14776E feature thermal-shutdown protection circuitry to protect the device. When the junction temperature exceeds +165°C (typ), the driver outputs are disabled and RO is high impedance. Driver and receiver outputs are re-enabled when the junction temperature falls below 150°C (typ).

Applications Information

100 Transceivers on the Bus

The MAX14775E/MAX14776E transceivers have 0.32-unit load receiver, allowing up to 100 MAX14775E/MAX14776E transceivers connected in parallel on a shared communication line. Connect any combination of these devices, and/or other RS-485 devices, for a maximum of 32 unit loads to the line.

Typical Application

The MAX14775E/MAX14776E half-duplex transceivers are designed for bidirectional data communications on multipoint bus transmission lines. Figure 9 shows a typical network applications circuit. To minimize reflections, the bus should be terminated at the receiver inputs in its characteristics impedance, and stub lengths off the main line should be kept as short as possible.

**Power Considerations for the MAX14775E/
MAX14776E**

At high data rates, the power dissipation of an RS-485 transceiver can be high. The power dissipation of a half-duplex transceiver is determined by a number of factors, including:

- The data rate
- The time that the driver is transmitting
- The termination impedance
- The power supply voltage

Higher data rates result in higher power dissipation due to switching losses in the transceiver. Switching losses increase even more when capacitance is applied to the A and B pins. External capacitance should be kept to a minimum to help reduce power dissipation at high data rates.

Similarly, the power dissipation in a transceiver is much higher when the driver is transmitting, compared to when the transceiver is receiving. In half-duplex communication, the period of transmission relative to the idle or receiving intervals (i.e., the duty cycle) should be taken into consideration when calculating the average power dissipation.

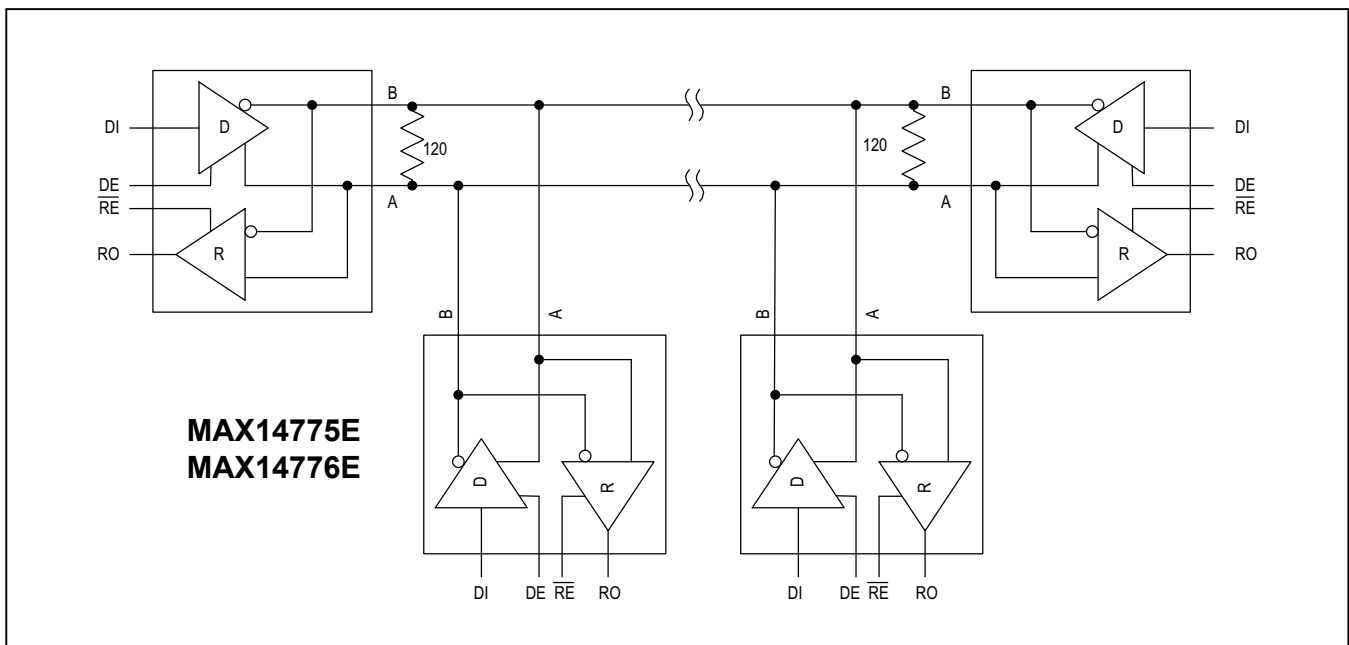


Figure 9. Typical RS-485 Network

The line termination resistance/impedance determines the driver's load current during transmission and the differential output voltage (V_{OD}) on the driver is determined by the supply voltage. A higher supply voltage results in a larger differential output voltage at the driver driving the line, which in turn results in a higher current draw from the supply (I_{CC}).

The power dissipation in the chip is calculated as the product of supply current times supply voltage, subtracting the power dissipated in the external termination resistor²:

$$P_{DIS} = (V_{CC} \times I_{CC}) - (V_{OD}^2/R_{LOAD})$$

Use the Typical Operation Characteristics to determine the supply current at a given supply voltage and data rate.

For example, assuming a data rate of 20Mbps with a 5V supply on a fully loaded bus ($R_L = 60\Omega$), we can calculate that the power dissipation (at room temperature) is:

$$P_{DIS} = (5V \times 70mA) - (4.3V^2/60\Omega) = 42mW$$

Ensure that power dissipation of the transceiver is kept below the value listed in the [Absolute Maximum Ratings](#) section to protect the device from entering thermal shut-down or from damage. If the calculated power dissipation nears the specified limits, select a package with a lower thermal resistance which also allows for higher power dissipation.

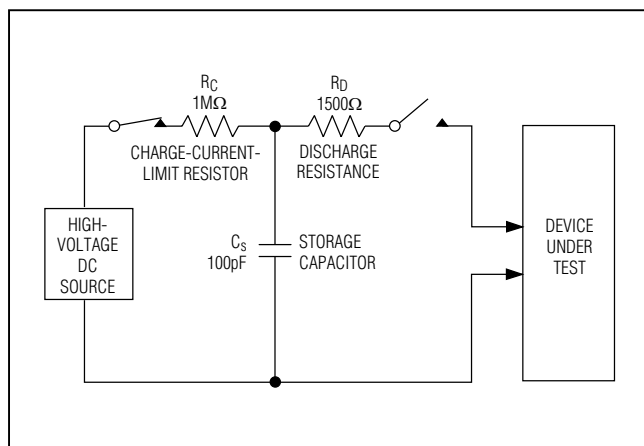


Figure 10. Human Body ESD Test Model

ESD Protection

ESD protection structures are incorporated on all pins to protect against electrostatic discharge encountered during handling and assembly. The driver outputs and receiver inputs of the MAX14775E/MAX14776E have extra protection against static electricity. The ESD structures withstand high ESD in normal operation and when powered down. After an ESD event, the devices keep working without latch-up or damage.

ESD protection can be tested in various ways. The transmitter outputs and receiver inputs of the devices are characterized for protection to the cable-side ground (GNDB) to the following limits:

- ±8kV HBM
- ±5kV using the Contact Discharge method specified in the IEC 61000-4-2

ESD Test Conditions

ESD performance depends on a variety of conditions. Contact Maxim for a reliability report that documents test setup, test methodology, and test results.

Human Body Model (HBM)

Figure 10 shows the HBM test model and Figure 11 shows the current waveform it generates when discharged in a low-impedance state. This model consists of a 100pF capacitor charged to the ESD voltage of interest, which is then discharged in to the test device through a 1.5kΩ resistor.

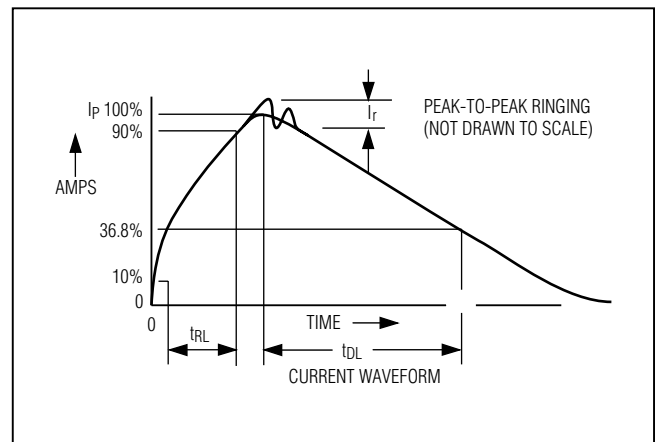


Figure 11. Human Body Current Waveform

IEC 61000-4-2

The IEC 61000-4-2 standard covers ESD testing and performance of finished equipment. However, it does not specifically refer to integrated circuits. The MAX14775E/MAX14776E help in designing equipment to meet IEC 61000-4-2 without the need for additional ESD protection components.

The major difference between tests done using the HBM and IEC 61000-4-2 is higher peak current in IEC 61000-4-2 because series resistance is lower in the IEC 61000-4-2 model. Hence, the ESD withstand voltage measured to IEC 61000-4-2 is generally lower than that measured using the HBM. [Figure 12](#) shows the IEC 61000-4-2 model and [Figure 13](#) shows the current waveform for IEC 61000-4-2 ESD Contact Discharge Test.

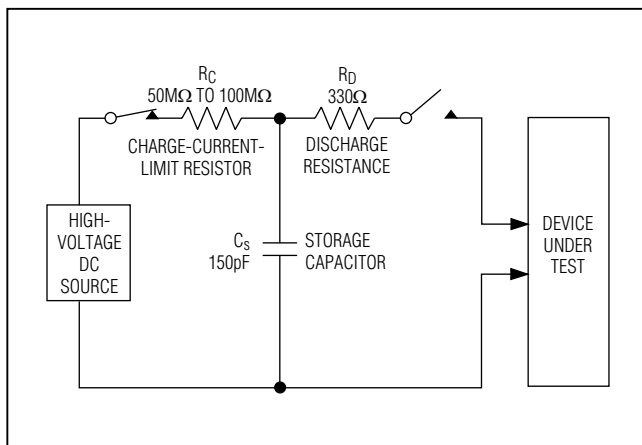


Figure 12. IEC 61000-4-2 ESD Test Model

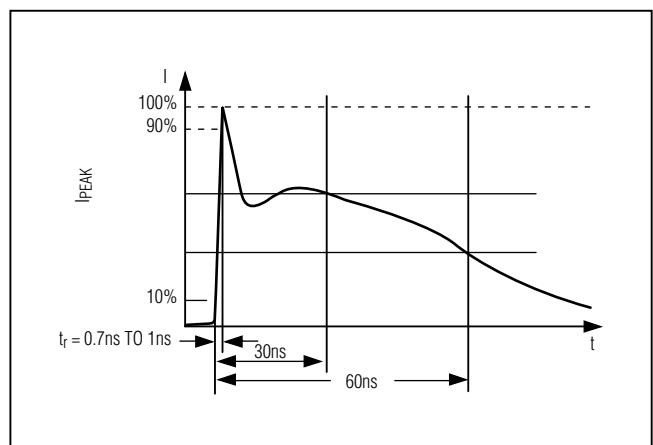
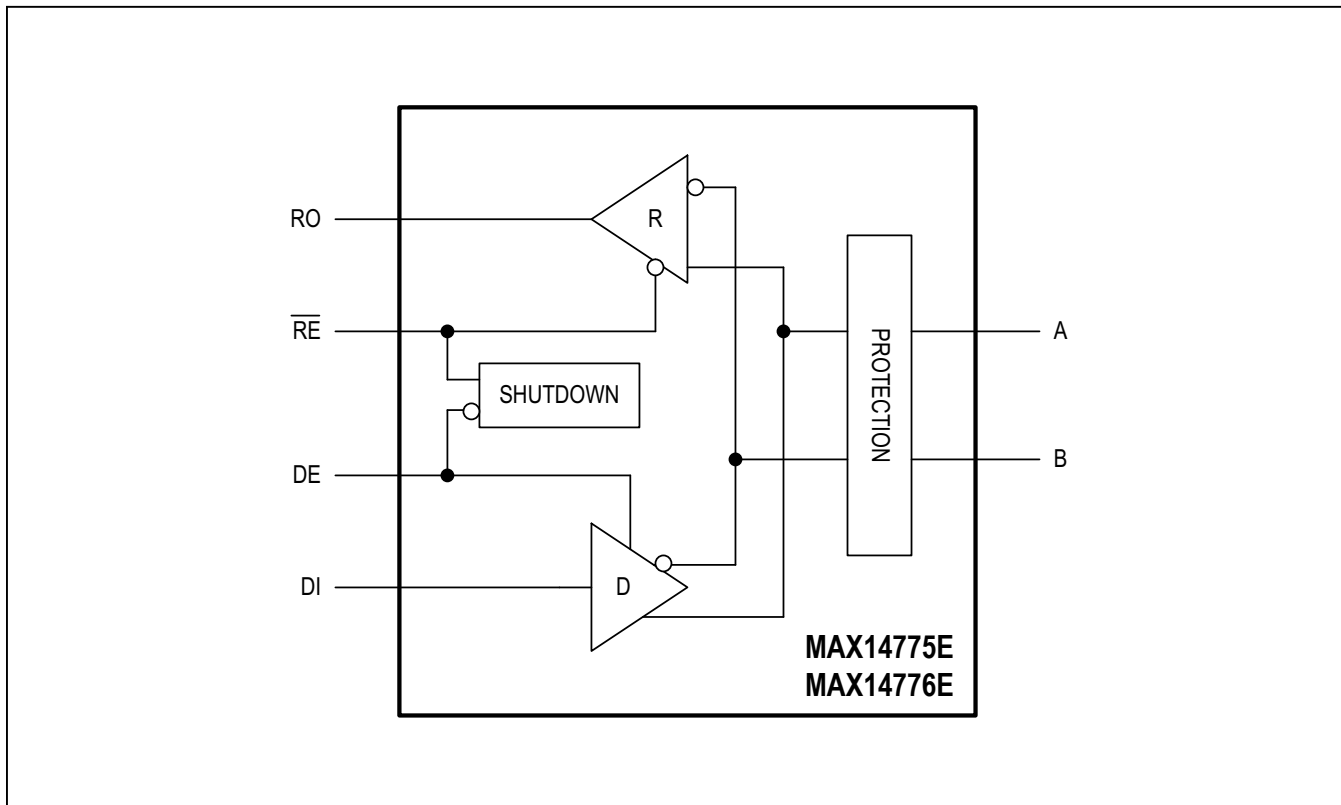


Figure 13. IEC 61000-4-2 ESD Generator Current Waveform

Functional Diagram



MAX14775E/MAX14776E

±65V Fault Protected 500kpbs/20Mbps Half-Duplex RS-485/RS-422 Transceivers

Ordering Information

| PART | TEMP RANGE | PIN-PACKAGE |
|----------------------|-----------------|-------------|
| MAX14775EASA+ | -40°C to +125°C | 8 SOIC |
| MAX14775EASA+T | -40°C to +125°C | 8 SOIC |
| MAX14775EATA+ | -40°C to +125°C | 8 TDFN-EP |
| MAX14775EATA+T | -40°C to +125°C | 8 TDFN-EP |
| MAX14776EASA+ | -40°C to +125°C | 8 SOIC |
| MAX14776EASA+T | -40°C to +125°C | 8 SOIC |
| MAX14776EATA+ | -40°C to +125°C | 8 TDFN-EP |
| MAX14776EATA+T | -40°C to +125°C | 8 TDFN-EP |

+Denotes a lead(Pb)-free/RoHS-compliant package.
T = Tape and Reel

Package Information

For the latest package outline information and land patterns (footprints), go to www.maximintegrated.com/packages. Note that a "+", "#", or "-" in the package code indicates RoHS status only. Package drawings may show a different suffix character, but the drawing pertains to the package regardless of RoHS status.

| PACKAGE TYPE | PACKAGE CODE | OUTLINE NO. | LAND PATTERN NO. |
|--------------|--------------|-------------------------|-------------------------|
| 8 SOIC | S8+4 | 21-0041 | 90-0096 |
| 8 TDFN-EP | T833+2 | 21-0137 | 90-0059 |

Chip Information

PROCESS: BiCMOS

MAX14775E/MAX14776E

±65V Fault Protected 500kpbs/20Mbps
Half-Duplex RS-485/RS-422 Transceivers

Revision History

| REVISION NUMBER | REVISION DATE | DESCRIPTION | PAGES CHANGED |
|-----------------|---------------|-----------------|---------------|
| 0 | 9/16 | Initial release | — |

For pricing, delivery, and ordering information, please contact Maxim Direct at 1-888-629-4642, or visit Maxim Integrated's website at www.maximintegrated.com.

Maxim Integrated cannot assume responsibility for use of any circuitry other than circuitry entirely embodied in a Maxim Integrated product. No circuit patent licenses are implied. Maxim Integrated reserves the right to change the circuitry and specifications without notice at any time. The parametric values (min and max limits) shown in the Electrical Characteristics table are guaranteed. Other parametric values quoted in this data sheet are provided for guidance.

Компания «Life Electronics» занимается поставками электронных компонентов импортного и отечественного производства от производителей и со складов крупных дистрибьюторов Европы, Америки и Азии.

С конца 2013 года компания активно расширяет линейку поставок компонентов по направлению коаксиальный кабель, кварцевые генераторы и конденсаторы (керамические, пленочные, электролитические), за счёт заключения дистрибьюторских договоров

Мы предлагаем:

- Конкурентоспособные цены и скидки постоянным клиентам.
- Специальные условия для постоянных клиентов.
- Подбор аналогов.
- Поставку компонентов в любых объемах, удовлетворяющих вашим потребностям.
- Приемлемые сроки поставки, возможна ускоренная поставка.
- Доставку товара в любую точку России и стран СНГ.
- Комплексную поставку.
- Работу по проектам и поставку образцов.
- Формирование склада под заказчика.
- Сертификаты соответствия на поставляемую продукцию (по желанию клиента).
- Тестирование поставляемой продукции.
- Поставку компонентов, требующих военную и космическую приемку.
- Входной контроль качества.
- Наличие сертификата ISO.

В составе нашей компании организован Конструкторский отдел, призванный помогать разработчикам, и инженерам.

Конструкторский отдел помогает осуществить:

- Регистрацию проекта у производителя компонентов.
- Техническую поддержку проекта.
- Защиту от снятия компонента с производства.
- Оценку стоимости проекта по компонентам.
- Изготовление тестовой платы монтаж и пусконаладочные работы.



Тел: +7 (812) 336 43 04 (многоканальный)

Email: org@lifeelectronics.ru