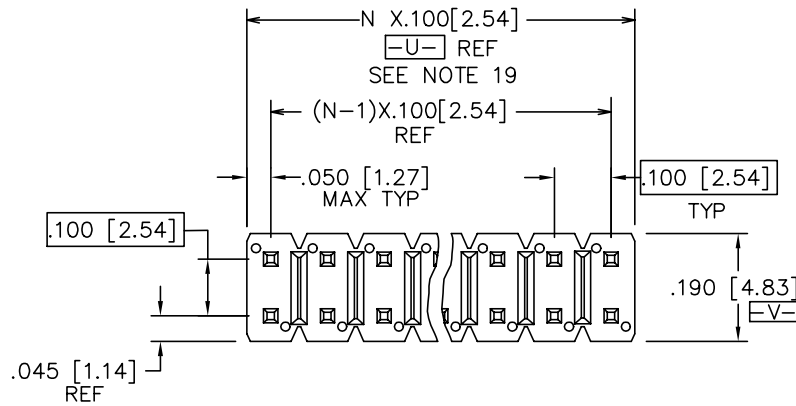


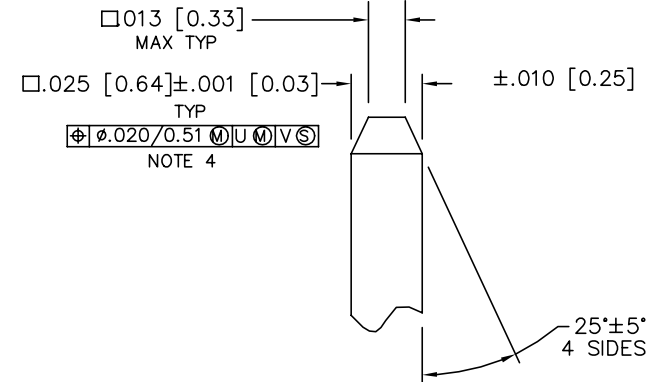
PRODUCT NUMBER

XXXXX-XYYPHLF

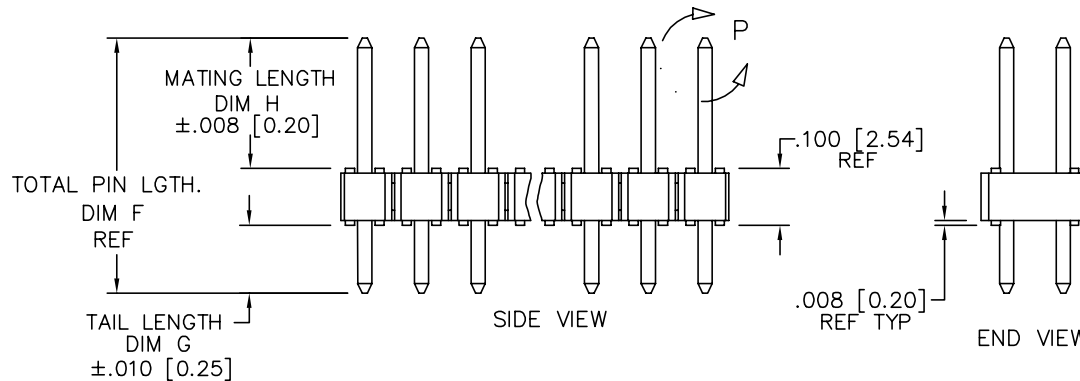
- LEAD FREE OPTION
SEE NOTE 1,13
- SPECIAL OPTIONS
SEE NOTE 1 OR 10
- HIGH TEMPERATURE PLASTIC
SEE NOTE 1
- NO OF POSITIONS
SEE NOTE 1
- PIN PLATING
SEE SHEET 2
- BASE PART NO.



TOP VIEW



DETAIL P
SCALE 5:1
TYP BOTH ENDS



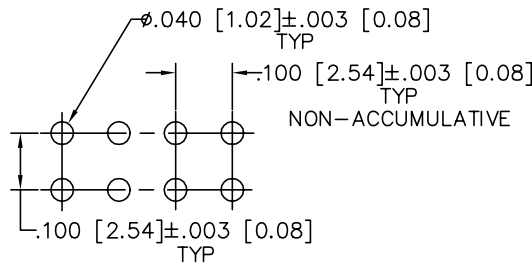
SIDE VIEW

END VIEW

NOTE 6

67996-X XX-XXX XXX LF

- TAIL LENGTH (EXAMPLE BELOW)
3.0mm=030 12.8mm=128
(SEE NOTE 16 & 17)
- MATING LENGTH (EXAMPLE BELOW)
5.0mm=050 25.5mm=255
(SEE NOTE 16 & 17)
- TOTAL NUMBER OF POSITIONS
FROM 2 (2X1) THRU 72 (2X36) POS.
- PIN PLATING (SEE NOTE 14)
1=0.76µm Au
4= PURE TIN
8=0.36µm Au
- BASE PART NO.
DOUBLE ROW



RECOMMENDED HOLE PATTERN

mat'l. code NOTE 2 & 3				surface ISO 1302 ✓	tolerance ISO 406 ISO 1101	projection INCH/MM	product family BERGSTIK
ltr	ecn no	dr	date	tolerances unless otherwise specified		scale 2:1	title BERGSTIK II HEADER D/R .100/2.54cc STRAIGHT
DF	N11-0180	J.Z	2011-05-31	angles	linear		
DG	ELX-N-13471	J.Z	2011-11-16				dwg no 67996
DH	ELX-N-16105	ZK	2013-10-22	0°±2'			
				dr	T.BREWBAKER	12/21/94	sheet 1 of 8 size A3
				enrg	T.HANNA	12/21/94	
				chr	J.MURPHY	12/21/94	
				appd	T.HANNA	12/21/94	type Product Customer Drawing
sheet index	revision sheet	DH	...	DH			
		1	...	8			

PIN PLATING CODES:	
XXXX-1YY	30u"/0.76u MIN (SEE NOTE 14) OVER 50u"/1.27u MIN Ni
XXXX-2YY	15u"/0.38u MIN (SEE NOTE 14) OVER 50u"/1.27u MIN Ni
XXXX-3YY	50u"/1.27u MIN (SEE NOTE 14) OVER 50u"/1.27u MIN Ni
XXXX-4YY	100u"/2.54u MIN Sn OVER 50u"/1.27u MIN Ni (SEE NOTE 15)
XXXX-4YYHLF	
XXXX-5YY	15u"/0.38u MIN (SEE NOTE 14) OVER 50u"/1.27u MIN Ni
XXXX-6YY	30u"/0.76u MIN (SEE NOTE 14) OVER 50u"/1.27u MIN Ni
XXXX-7YY	30u"/0.76u MIN (SEE NOTE 14) OVER 50u"/1.27u MIN Ni
XXXX-8YY	15u"/0.38u MIN (SEE NOTE 14) OVER 50u"/1.27u MIN Ni
XXXX-9YY	15u"/0.38u MIN (SEE NOTE 14) OVER 50u"/1.27u MIN Ni
XXXX-0YY	30u"/0.76u MIN (SEE NOTE 14) OVER 50u"/1.27u MIN Ni

- PIN MATERIAL: PHOS BRONZE.
- MEASURED WITH PART IN RESTRAINED CONDITION.
- TWO SIDES OF PIN TIPS NOT PLATED. TYPICAL BOTH ENDS.
- 2LBS/0.9KG MIN PIN RETENTION IN EITHER DIRECTION.
- MILITARY BERGSTIK HEADER
P/N XXXXX-XYX-MIL
NOT AVAILABLE.
- ±.010/0.25 TOL APPLIES TO ALL "G" TAILS EXCEPT INDICATED PARTS ON TABLE WHERE +.010/0.25 -.000/0.00 APPLIES.
- NOTCH CONFIGURATION WILL VARY PER VENDOR'S DISCRETION.
- BERGSTRIPTM PART NUMBERS FOLLOWED BY BY A "B" ARE BULK PRICED.
- TAIL LENGTH (DIM. G) TO BE ±.008/.020.
- POSITIONS PER ROW 37 TO 50 CAN BE PRODUCED, BUT FLATNESS AND CURVATURE MAY NOT BE HELD AS CLOSE AS 36 POSITIONS.
- THESE PRODUCTS MEETS EUROPEAN UNION DIRECTIVES AND OTHER COUNTRY REGULATION AS DESCRIBED IN GS-22-008.
- PLATING OPTIONS:
PERFORMANCE PLATING WILL BE EITHER GOLD OR GXT ON POST OR TAIL, OPTIONALLY (78~295u"/2~7.5u) TIN ON TAIL.
- "THIS PRODUCT HAS 100% TIN PLATING IN THE INTERFACE AND HAS NOT BEEN TESTED FOR WHISKER GROWTH IN ALL INTERCONNECT ENVIRONMENTS."
- THE OAL DON'T EXCEED 34.5mm
- INCREMENTS BY 0.1mm IN LENGTHS ONLY
- FOR SPECIAL PACKAGING REQUEST PLEASE CONTACT PRODUCT MANAGER FOR AVAILABILITY
- TO DETERMINE DIMENSIONS:
N=NUMBER OF POSITION PER ROW
EXAMPLE: 10 POS. N X .100/2.54

NOTES

1. PART NUMBER OPTIONS:
PIN PLATING CODES (SEE ABOVE)

HIGH TEMPERATURE MATERIAL:

PART NUMBERS WITH AND WITHOUT "H" WILL BE SUPPLIED WITH HIGH TEMPERATURE PLASTIC.

NUMBER OF POSITIONS :

EVEN NUMBER OF POSITIONS FROM 2 (2X1) THROUGH 72 (2X36).
-X00H INDICATES BERGSTRIPTM PRODUCT. SEE PAGE 3 FOR SPECIAL GEOMETRY OF THIS CONTINUOUS STRIP PRODUCT. AUTOMATED REELS WILL CONTAIN 45,000 PINS. SEE SPECIFIC PART NUMBERS FOR AVAILABILITY.

PACKAGING:

PACKAGED IN POLY BAGS.
EIGHT DIGIT PART NUMBERS FOLLOWED BY A "T" ARE PACKAGED IN TUBES. SEE SPECIFIC PART NUMBERS FOR AVAILABILITY.
EIGHT DIGIT PART NUMBERS FOLLOWED BY A "G" ARE PACKAGED IN GPAX FOR IBM ONLY. SEE SPECIFIC PART NUMBERS FOR AVAILABILITY.
PART NUMBERS FOLLOWED BY A "C" ARE PACKAGED IN TUBES WITH A PICKUP CAP APPLIED.
EIGHT DIGIT PART NUMBERS FOLLOWED BY A "A" ARE PACKAGED IN TAPE/REEL WITH PICKUP CAP P/N 95730-003 APPLIED, PER BUS-14-345.

LEAD FREE:

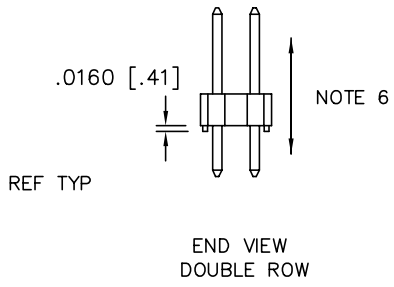
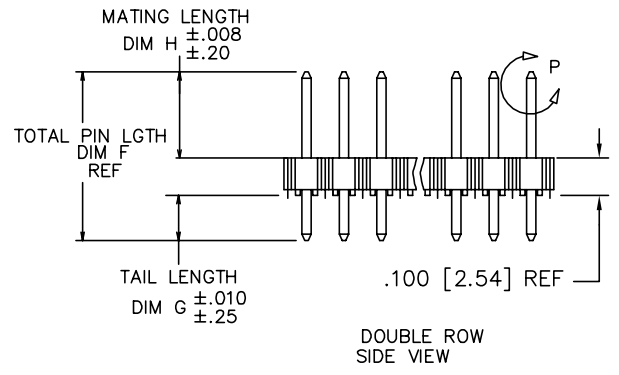
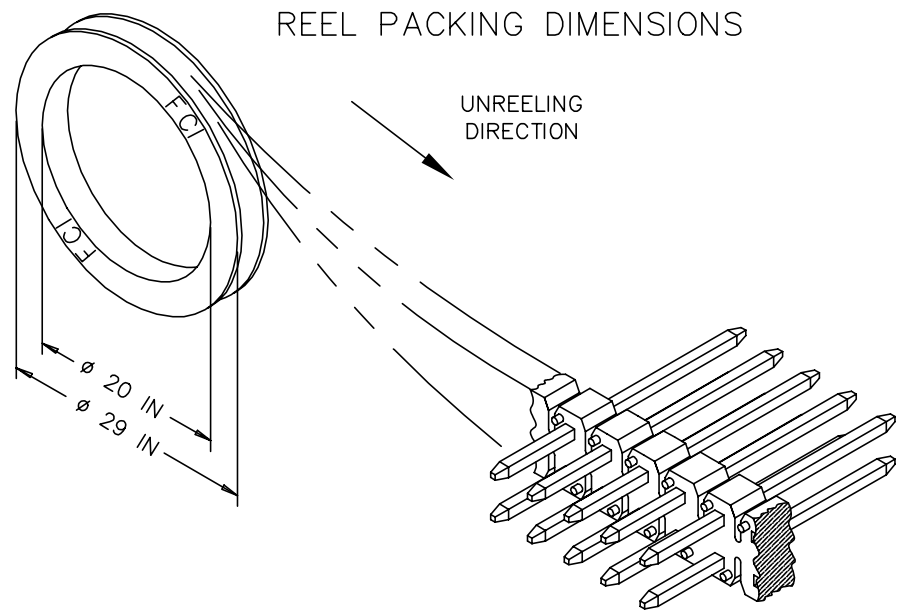
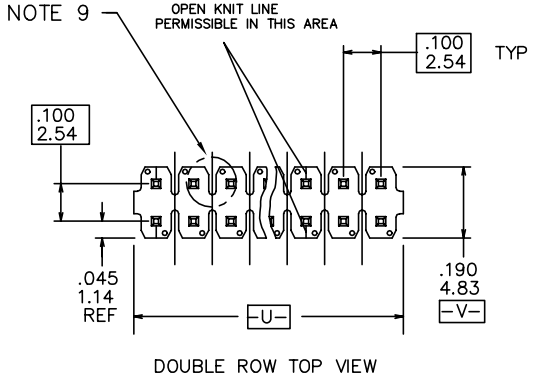
ADD "HLF" SUFFIX AT THE END OF PART NUMBER FOR LEAD FREE OPTION, NOT AVAILABLE FOR -5YY,-5YYH, -6YY & -6YYH

2. BODY MATERIAL:

BODY MATERIAL : MANUFACTURER'S OPTION OF NYLON, PCT GLASS FIBER REINFORCED OR MINERAL FILLED LCP FLAME RETARDENT PER UL-94V-0. COLOR: BLACK
BERGSTRIPTM PRODUCED WITH HIGH TEMPERATURE LCP THERMOPLASTIC, FLAME RETARDENT PER UL-94V-0. COLOR: BLACK
PART NUMBERS WITH "H" AND WITHOUT SUFFIX WILL WITHSTAND EXPOSURE TO 260° C PEAK TEMPERATURE FOR 20 SECONDS IN WAVE SOLDER, INFRA-RED OR VAPOR PHASE SOLDER PROCESS.

mat'l. code		surface		tolerance		projection		product family	
NOTE 2 & 3		ISO 1302 ✓		ISO 406		ISO 1101		BERGSTIK	
ltr	ecn	no	dr	date	tolerances unless otherwise specified		INCH/MM	title	
DG					angles	linear		scale 2:1	BERGSTIK II HEADER D/R
					0°±2'	.XXX±0.006/.XXX±.13			.100/2.54cc STRAIGHT
					dr	T.BREWBAKER	12/21/94	dwg no	
					enrg	T.HANNA	12/21/94	sheet 2 of 8	
					chr	J.MURPHY	12/21/94	67996	
					appd	T.HANNA	12/21/94	size	
								A3	
sheet index		revision sheet						type Product Customer Drawing	

BERGSTRIPTM HEADER



mat'l. code NOTE 2 & 3		surface ISO 1302 ✓	tolerance ISO 406 ISO 1101	projection INCH/MM	product family BERGSTIK
ltr	ecn no	dr	date	tolerances unless otherwise specified	title
DH				angles linear XXX±.005/XXX±.13 0°±2° XXXX±.0020/XXX±.05	BERGSTIK II HEADER D/R .100/2.54cc STRAIGHT
		dr	T.BREWBAKER	12/21/94	dwg no sheet 3 of 8 size
		enr	T.HANNA	12/21/94	67996 A3
		chr	J.MURPHY	12/21/94	type Product Customer Drawing
		appd	T.HANNA	12/21/94	
sheet index	revision sheet				



Copyright FCI

PRODUCT NUMBER	1 TOT. PIN LGTH.		TAIL LENGTH		2 3 MATING LENGTH		PACKAGING	NOTES	BERGSTRIIP™ AVAILABLE	LF OPTION	
	DIM F	DIM F	DIM G	DIM G	DIM H	DIM H					
	ENGLISH	METRIC	ENGLISH	METRIC	ENGLISH	METRIC					
55005-XYH	0.597	15.16	0.095	2.41	0.402	10.21	POLY BAGS		YES	OB NOTE 1,13	
55030-XYH	0.630	16.00	0.150	3.81	0.380	9.65	POLY BAGS		YES		
67996-XYH	0.425	10.80	0.095	2.41	0.230	5.84	POLY BAGS/TUBES		YES		
67997-XYH	0.450	11.43	0.120	3.05	0.230	5.84	POLY BAGS/TUBES		YES		
67997-XYH	0.450	11.43	0.120	3.05	0.230	5.84	POLY BAGS/TUBES		YES		
67998-XYH	0.525	13.34	0.107	2.72	0.318	8.08	POLY BAGS/TUBES		YES		
67999-XYH	0.548	13.92	0.130	3.30	0.318	8.08	POLY BAGS		NO		
68438-XYH	0.555	14.10	0.225	5.72	0.230	5.84	POLY BAGS/TUBES		NO		OB
68439-XYH	0.720	18.29	0.120	3.05	0.500	12.70	POLY BAGS		NO		
68464-XYH	0.650	16.51	0.120	3.05	0.430	10.92	POLY BAGS/TUBES		NO		OB
68481-XYH	0.480	12.19	0.095	2.41	0.285	7.24	POLY BAGS/TUBES		NO		
68482-XYH	0.938	23.83	0.318	8.08	0.520	13.21	POLY BAGS		NO		OB
68491-XYH	0.475	12.07	0.120	3.05	0.255	6.48	POLY BAGS/TUBES		NO		
68600-XYH	0.825	20.96	0.115	2.92	0.610	15.49	POLY BAGS		NO	OB	
68601-XYH	0.620	15.75	0.120	3.05	0.400	10.16	POLY BAGS		NO		
68602-XYH	0.480	12.19	0.150	3.81	0.230	5.84	POLY BAGS		YES	OB	
68690-XYH	0.533	13.54	0.115	2.92	0.318	8.08	POLY BAGS		NO		
68691-XYH	0.538	13.67	0.120	3.05	0.318	8.08	POLY BAGS		YES	OB	
68692-XYH	0.430	10.92	0.100	2.54	0.230	5.84	POLY BAGS		NO		
68693-XYH	0.938	23.83	0.520	13.21	0.318	8.08	POLY BAGS		NO	OB	
68716-XYH	0.828	21.03	0.410	10.41	0.318	8.08	POLY BAGS		NO		
68734-XYH	0.615	15.62	0.230	5.84	0.285	7.24	POLY BAGS		NO	OB	
68737-XYH	0.440	11.18	0.110	2.79	0.230	5.84	POLY BAGS		YES		
68738-XYH	0.615	15.62	0.115	2.92	0.400	10.16	POLY BAGS		NO	OB	
68739-XYH	0.486	12.34	0.156	3.96	0.230	5.84	POLY BAGS		NO		
68743-XYH	0.638	16.21	0.220	5.59	0.318	8.08	POLY BAGS		NO	OB	
68749-XYH	0.838	21.29	0.420	10.67	0.318	8.08	POLY BAGS		NO		
68779-XYH	0.736	18.69	0.318	8.08	0.318	8.08	POLY BAGS		NO	OB	
68783-XYH	0.375	9.53	0.045	1.14	0.230	5.84	POLY BAGS		NO		
68799-XYH	0.925	23.50	0.595	15.11	0.230	5.84	POLY BAGS		NO	OBNOTE 1,13	



Fciconnect.com

Copyright FCI

mat'l. code NOTE 2 & 3		surface ISO 1302 ✓		tolerance ISO 406 ISO 1101		projection 		product family BERGSTIK	
ltr	ecn	no	dr	date	tolerances unless otherwise specified		title		
DH					angles	linear	INCH/MM		
					0°±2'	.XXX±0.006/.XXX±.13 .XXX±0.020/.XXX±.051	BERGSTIK II HEADER D/R .100/2.54cc STRAIGHT		
					dr	T.BREWBAKER	12/21/94	scale 2:1	
					enr	T.HANNA	12/21/94	FCI	
					chr	J.MURPHY	12/21/94		
					appd	T.HANNA	12/21/94	dwg no	
sheet index	revision sheet							67996	
								sheet 4 of 8 size A3	
								type Product Customer Drawing	

PRODUCT NUMBER	TOT. PIN LGTH.		TAIL LENGTH		MATING LENGTH		PACKAGING	NOTES	BERGSTRIPTM AVAILABLE	LF OPTION
	DIM F	DIM F	DIM G	DIM G	DIM H	DIM H				
	ENGLISH	METRIC	ENGLISH	METRIC	ENGLISH	METRIC				
69132 -XYY	0.760	19.30	0.120	3.05	0.540	13.72	POLY BAGS/TUBES		NO	OB NOTE 1,13
69133-XYY	0.615	15.62	0.285	7.24	0.230	5.84	POLY BAGS		NO	
69157-XYY	0.410	10.41	0.110	2.79	0.200	5.08	POLY BAGS		NO	
71217 -XYYH	1.000	25.40	0.450	11.43	0.450	11.43	POLY BAGS		NO	
71222 -XYYH	0.850	21.59	0.250	6.35	0.500	12.70	POLY BAGS		NO	
72273 -XYYH	0.725	18.42	0.110	2.79	0.515	13.08	POLY BAGS		NO	
72448 -XYYH	0.658	16.71	0.172	4.37	0.386	9.80	POLY BAGS		NO	
72455 -XYYH	0.598	15.19	0.180	4.57	0.318	8.08	POLY BAGS		NO	
72455-632HG	0.598	15.19	0.180	4.57	0.318	8.08	GPAX	NOTE 1	NO	
73503 -XYYH	0.420	10.67	0.120	3.05	0.200	5.08	POLY BAGS		NO	
73596 -XYYH	0.795	20.19	0.110	2.79	0.585	14.86	POLY BAGS		NO	
74317 -XYYH	0.532	13.51	0.309	7.85	0.123	3.12	POLY BAGS	NOTE 11	NO	
74318 -XYYH	0.592	15.04	0.369	9.37	0.123	3.12	POLY BAGS	NOTE 11	NO	
74999 -XYYH	0.508	12.90	0.090	2.29	0.318	8.08	POLY BAGS		NO	
78212 -XYY	0.710	18.03	0.350	8.89	0.260	6.60	POLY BAGS		NO	
78233-XYY	0.568	14.43	0.150	3.81	0.318	8.08	POLY BAGS		NO	
78269 -XYY	0.385	9.78	0.095	2.41	0.190	4.83	POLY BAGS		NO	
78286 -XYY	0.500	12.70	0.160	4.06	0.240	6.10	POLY BAGS/TUBES		NO	
78932-XYY		UNAVAILABLE		UNAVAILABLE		UNAVAILABLE				
78933 -XYY	0.695	17.65	0.285	7.24	0.310	7.87	POLY BAGS		NO	
78988 -XYY	0.540	13.72	0.135	3.43	0.305	7.75	POLY BAGS		NO	
78989-XYY		UNAVAILABLE		UNAVAILABLE		UNAVAILABLE				
78990-XYY		UNAVAILABLE		UNAVAILABLE		UNAVAILABLE				
78991-XYY		UNAVAILABLE		UNAVAILABLE		UNAVAILABLE				
78992-XYY		UNAVAILABLE		UNAVAILABLE		UNAVAILABLE				
78993-XYY		UNAVAILABLE		UNAVAILABLE		UNAVAILABLE				
78994-XYY		UNAVAILABLE		UNAVAILABLE		UNAVAILABLE				

NOTE 1,13

mat'l. code NOTE 2 & 3		surface ISO 1302 <input checked="" type="checkbox"/>	tolerance ISO 406 ISO 1101	projection 	product family BERGSTIK
ltr	ecn no	dr	date	tolerances unless otherwise specified	title
DH				linear XX±01/XX±3 XXX±0.006/XXX±.13 XXXX±0020/XXX±.05	BERGSTIK II HEADER D/R .100/2.54cc STRAIGHT
				angles 0°±2'	INCH/MM scale 2:1
		dr	T.BREWBAKER	12/21/94	dwg no
		enr	T.HANNA	12/21/94	sheet 5 of 8
		chr	J.MURPHY	12/21/94	size
		appd	T.HANNA	12/21/94	67996
					A3
					type Product Customer Drawing
sheet index	revision sheet				

PRODUCT NUMBER	TOT. PIN LGTH.		TAIL LENGTH		MATING LENGTH		PACKAGING	NOTES	BERGSTRIPTM AVAILABLE	LF OPTION
	DIM F	DIM F	DIM G	DIM G	DIM H	DIM H				
	ENGLISH	METRIC	ENGLISH	METRIC	ENGLISH	METRIC				
78995-YYY	UNAVAILABLE		UNAVAILABLE		UNAVAILABLE		E	-	-	NOTE 1,13
78996-YYY	UNAVAILABLE		UNAVAILABLE		UNAVAILABLE		E	-	-	
79242-YYY	0.930	23.62	0.340	8.64	0.490	12.45	POLY BAGS	-	NO	OB
79243-YYY	1.230	31.24	0.390	9.91	0.740	18.80	POLY BAGS	-	NO	OB
79244-YYY	UNAVAILABLE		UNAVAILABLE		UNAVAILABLE		E	-	-	
79268-YYY	1.020	25.91	0.120	3.05	0.800	20.32	POLY BAGS	-	NO	OB
79271-YYY	1.100	27.94	0.500	12.70	0.500	12.70	POLY BAGS	-	NO	OB
79425-YYY	0.410	10.41	0.120	3.05	0.190	4.83	POLY BAGS	-	NO	
79821-YYY	0.730	18.54	0.200	5.08	0.430	10.92	POLY BAGS	-	NO	
84610-YYYH	0.380	9.65	0.120	3.05	0.160	4.06	POLY BAGS	-	NO	OB
84760-YYYH	0.870	22.09	0.150	3.81	0.620	15.74	POLY BAGS	-	NO	OB
84784-YYYH	1.130	28.70	0.122	3.09	0.908	23.06	POLY BAGS	-	NO	OB
84934-YYYH	1.375	34.93	0.625	15.88	0.650	16.51	POLY BAGS	-	NO	OB
84976-YYYH	0.730	18.54	0.400	10.16	0.230	5.84	POLY BAGS	-	NO	OB
86503-YYY	0.470	11.94	0.120	3.05	0.250	6.35	POLY BAGS	-	NO	
86581-YYY	0.450	11.43	0.120	3.05	0.230	5.84	POLY BAGS	NOTE 8	NO	OB
86817-YYY	0.925	23.50	0.120	3.05	0.705	17.91	POLY BAGS	-	NO	OB
86827-YYY	0.700	17.78	0.120	3.05	0.480	12.19	POLY BAGS	-	NO	OB
86832-YYY	0.525	13.34	0.100	2.54	0.325	8.26	POLY BAGS	-	NO	
86834-YYY	1.335	33.91	0.585	14.86	0.650	16.51	POLY BAGS	-	NO	OB
86836-YYY	0.870	22.10	0.120	3.05	0.650	16.51	POLY BAGS	-	NO	OB
86837-YYY	0.600	15.24	0.120	3.05	0.380	9.65	POLY BAGS	-	NO	
87037-YYY	1.240	31.50	0.120	3.05	1.020	25.91	POLY BAGS	-	NO	OB
87052-YYY	0.990	25.15	0.120	3.05	0.770	19.56	POLY BAGS	-	NO	
87203-YYY	0.545	13.84	0.150	3.81	0.295	7.49	POLY BAGS	-	NO	OB
87344-YYY	1.375	34.93	0.219	5.56	1.056	26.82	POLY BAGS	-	NO	OB NOTE 1,13

mat'l. code NOTE 2 & 3		surface ISO 1302 <input checked="" type="checkbox"/>	tolerance ISO 406 ISO 1101	projection 	product family BERGSTIK
ltr	ecn no	dr	date	tolerances unless otherwise specified	title
DH				angles linear XX±01/XX±3 XXX±0.006/XXX±.13 XXXX±0020/XXX±.05	BERGSTIK II HEADER D/R .100/2.54cc STRAIGHT
				0°±2'	INCH/MM scale 2:1
		dr	T.BREWBAKER	12/21/94	dwg no sheet 6 of 8 size
		enr	T.HANNA	12/21/94	67996 A3
		chr	J.MURPHY	12/21/94	
		appd	T.HANNA	12/21/94	type Product Customer Drawing
sheet index	revision sheet				

1

2,3

4

5

6

PRODUCT NUMBER	TOT. PIN LGTH.		TAIL LENGTH		MATING LENGTH		PACKAGING	NOTES	BERGSTRIPT™ AVAILABLE	LF OPTION
	DIM F	DIM F	DIM G	DIM G	DIM H	DIM H				
	ENGLISH	METRIC	ENGLISH	METRIC	ENGLISH	METRIC				
87345 -XYY	1.218	30.94	0.406	10.31	0.712	18.08	POLY BAGS	---	NO	OB NOTE 1,13 OB OB OB OB OB OB OB OB OB OB OB OB OB OB OB OB OB OB OB
87348 -XYY	0.930	23.62	0.100	2.54	0.730	18.54	POLY BAGS	---	NO	
87349 -XYY	0.890	22.61	0.110	2.79	0.680	17.27	POLY BAGS	---	NO	
87381 -XYY	0.645	16.38	0.100	2.54	0.445	11.30	POLY BAGS	---	NO	
87382 -XYY	0.675	17.15	0.100	2.54	0.475	12.07	POLY BAGS	---	NO	
87503 -XYYH	0.630	16.00	0.110	2.79	0.420	10.67	POLY BAGS	---	NO	
87869 -XYY	0.690	17.53	0.230	5.84	0.360	9.14	POLY BAGS	---	NO	
87894-XYY	0.588	14.94	0.170	4.32	0.318	8.08	POLY BAGS	-	NO	
87900-XYY	0.940	23.88	0.120	3.05	0.720	18.29	POLY BAGS	-	NO	
87901-XYY	1.040	26.42	0.120	3.05	0.820	20.83	POLY BAGS	-	NO	
87903 -XYY	0.963	24.46	0.337	8.56	0.526	13.36	POLY BAGS	---	NO	
88797 -XYY	0.950	24.13	0.320	8.13	0.530	13.46	POLY BAGS	---	NO	
88812 -XYY	0.415	10.54	0.085	2.16	0.230	5.84	POLY BAGS/TUBES	NOTE 8	NO	
88886 -XYY	1.306	33.17	0.276	7.01	0.930	23.62	POLY BAGS	---	NO	
89446 -XYY	0.930	23.62	0.120	3.05	0.710	18.03	POLY BAGS	---	NO	
89540 -XYY	0.760	19.30	0.280	7.11	0.380	9.65	POLY BAGS	---	NO	
89542 -XYY	1.065	27.05	0.125	3.18	0.840	21.34	POLY BAGS	---	NO	
89639 -XYY	1.260	32.00	0.118	3.00	1.042	26.47	POLY BAGS	---	NO	
91828 -XYY	0.450	11.43	0.120	3.05	0.230	5.84	TUBES	---	NO	
92417-XYY	0.530	13.46	0.110	2.79	0.320	8.13	POLY BAGS	-	NO	
93216 -XYYH	0.573	14.55	0.155	3.94	0.318	8.08	POLY BAGS/TUBES	---	NO	
93216-632HG	0.573	14.55	0.155	3.94	0.318	8.08	GPAX	NOTE 1	NO	
93217 -XYYH	0.395	10.03	0.095	2.41	0.200	5.08	POLY BAGS	---	NO	
93254-XYY	0.563	14.30	0.110	2.79	0.353	8.97	POLY BAGS	-	NO	

NOTE 1,13



FCIconnect.com

Copyright FCI

mat'l. code NOTE 2 & 3				surface ISO 1302 <input checked="" type="checkbox"/>		tolerance ISO 406 ISO 1101		projection 		product family BERGSTIK	
ltr				ecn no		dr		date		title	
DH				angles		linear		tolerances unless otherwise specified		BERGSTIK II HEADER D/R .100/2.54cc STRAIGHT	
				0°±2'		.XX±.01 / .XX±.3 .XXX±0.006 / .XXX±.13 .XXXX±0.020 / .XXX±.05		INCH/MM		scale 2:1	
				dr		T.BREWBAKER		12/21/94		dwg no sheet 7 of 8 size	
				enr		T.HANNA		12/21/94		67996 A3	
				chr		J.MURPHY		12/21/94		type Product Customer Drawing	
				appd		T.HANNA		12/21/94			
sheet index		revision sheet									

1

2

3

PRODUCT NUMBER	TOT. PIN LGTH.		TAIL LENGTH		MATING LENGTH		PACKAGING	NOTES	BERGSTRIK	LF OPTION
	DIM F	DIM F	DIM G	DIM G	DIM H	DIM H			AVAILABLE	
	ENGLISH	METRIC	ENGLISH	METRIC	ENGLISH	METRIC				
94010-XYH	0.756	19.20	0.350	8.89	0.306	7.77	POLY BAGS	---	NO	OB NOTE 1,13 OB OB OB OB OB OB OB OB OB OB OB OB
94532-XYH	1.250	31.75	0.450	11.43	0.700	17.78	POLY BAGS	---	NO	
95105-XY	0.370	9.40	0.126	3.20	0.144	3.66	POLY BAGS	---	NO	
95645-XYH	0.350	8.89	0.100	2.54	0.150	3.81	POLY BAGS	---	NO	
95652-XYH	0.500	12.70	0.070	1.78	0.330	8.38	POLY BAGS	---	NO	
95665-XYH	0.835	21.21	0.335	8.51	0.400	10.16	POLY BAGS	---	NO	
95687-XYH	0.820	20.83	0.360	9.14	0.360	9.14	POLY BAGS	-	NO	
95712-XYH	1.090	27.69	0.110	2.79	0.880	22.35	POLY BAGS	---	NO	
95727-XYH	0.825	20.96	0.110	2.79	0.615	15.62	POLY BAGS	---	NO	
98181-XYH	0.760	19.30	0.218	5.54	0.442	11.23	POLY BAGS	---	NO	
98217-XYH	0.756	19.20	0.328	8.33	0.328	8.33	POLY BAGS	---	NO	
98329-XYH	0.930	23.62	0.415	10.54	0.415	10.54	POLY BAGS	---	NO	
98854-XYH	0.450	11.43	0.120	3.05	0.230	5.84	TUBES	---	NO	
10017852-XYH	0.450	11.43	0.125	3.18	0.225	5.72	POLYBAGS	-	NO	OB NOTE 1,13 OB
10074747-XYH	0.850	21.59	0.520	13.21	0.230	5.84	POLYBAGS	-	NO	

FCIconnect.com

Copyright FCI

mat'l. code NOTE 2 & 3				surface ISO 1302 ✓		tolerance ISO 406 ISO 1101		projection 		product family BERGSTIK			
ltr	ecn	no	dr	date		tolerances unless otherwise specified							
DH						angles	linear	.XX±01/.XX±3	INCH/MM		title BERGSTIK II HEADER D/R .100/2.54cc STRAIGHT		
						0°±2'		.XXX±0.006/.XXX±.13	scale 2:1				
						dr	T.BREWBAKER	12/21/94			dwg no	sheet 8 of 8	size
						enr	T.HANNA	12/21/94			67996		A3
						chr	J.MURPHY	12/21/94			type Product Customer Drawing		
						appd	T.HANNA	12/21/94					
sheet index	revision sheet												

Компания «Life Electronics» занимается поставками электронных компонентов импортного и отечественного производства от производителей и со складов крупных дистрибьюторов Европы, Америки и Азии.

С конца 2013 года компания активно расширяет линейку поставок компонентов по направлению коаксиальный кабель, кварцевые генераторы и конденсаторы (керамические, пленочные, электролитические), за счёт заключения дистрибьюторских договоров

Мы предлагаем:

- Конкуренспособные цены и скидки постоянным клиентам.
- Специальные условия для постоянных клиентов.
- Подбор аналогов.
- Поставку компонентов в любых объемах, удовлетворяющих вашим потребностям.
- Приемлемые сроки поставки, возможна ускоренная поставка.
- Доставку товара в любую точку России и стран СНГ.
- Комплексную поставку.
- Работу по проектам и поставку образцов.
- Формирование склада под заказчика.
- Сертификаты соответствия на поставляемую продукцию (по желанию клиента).
- Тестирование поставляемой продукции.
- Поставку компонентов, требующих военную и космическую приемку.
- Входной контроль качества.
- Наличие сертификата ISO.

В составе нашей компании организован Конструкторский отдел, призванный помогать разработчикам, и инженерам.

Конструкторский отдел помогает осуществить:

- Регистрацию проекта у производителя компонентов.
- Техническую поддержку проекта.
- Защиту от снятия компонента с производства.
- Оценку стоимости проекта по компонентам.
- Изготовление тестовой платы монтаж и пусконаладочные работы.



Тел: +7 (812) 336 43 04 (многоканальный)

Email: org@lifeelectronics.ru