

# PTRA093818NF

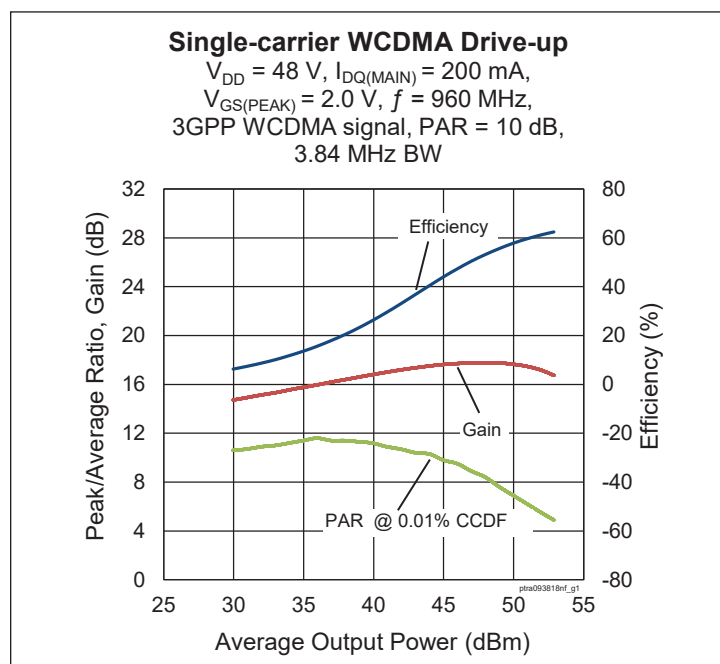
## Thermally-Enhanced High Power RF LDMOS FET 415 W, 48 V, 925 – 960 MHz

### Description

The PTRA093818NF is a 415-watt LDMOS FET intended for use in multi-standard cellular power amplifier applications in the 925 to 960 MHz frequency band. Features include input matching, high gain and thermally-enhanced package with earless flanges. Manufactured with Wolfspeed's advanced LDMOS process, this device provides excellent thermal performance and superior reliability.



PTRA093818NF  
Package PG-HBSOF-6-2



### Features

- Broadband internal input matching
- Asymmetrical design
  - Main :  $P_{1dB} = 165\text{ W Typ}$
  - Peak :  $P_{1dB} = 250\text{ W Typ}$
- Typical Pulsed CW performance, 960 MHz, 48 V, Doherty configuration
  - Output power at  $P_{3dB} = 375\text{ W}$
  - Efficiency = 55%
  - Gain = 18 dB
- Capable of handling 10:1 VSWR @ 48 V, 81.4 W CW output power
- Integrated ESD protection
- Human Body Model class 1C (per ANSI/ESDA/ JEDEC JS-001)
- Low thermal resistance
- Pb-free and RoHS compliant

### RF Characteristics

#### Single-carrier WCDMA Specifications (tested in Wolfspeed Doherty production test fixture)

$V_{DD} = 48\text{ V}$ ,  $I_{DQ} = 200\text{ mA}$ ,  $V_{GS(PEAK)} = 2.0\text{ V}$ ,  $P_{OUT} = 81.3\text{ W avg}$ ,  $f = 960\text{ MHz}$ , 3GPP signal, channel bandwidth = 3.84 MHz, peak/average = 10 dB @ 0.01% CCDF

Characteristic	Symbol	Min	Typ	Max	Unit
Linear Gain	$G_{ps}$	16.5	17	—	dB
Drain Efficiency	$\eta_D$	49	52	—	%
Adjacent Channel Power Ratio	ACPR	—	-30	-28.5	dBc
Output PAR@0.01% CCDF	OPAR	7	7.7	—	dB

All published data at  $T_{CASE} = 25^\circ\text{C}$  unless otherwise indicated

ESD: Electrostatic discharge sensitive device—observe handling precautions!



**DC Characteristics** (each side)

Characteristic	Conditions	Symbol	Min	Typ	Max	Unit
Drain-Source Breakdown Voltage	$V_{GS} = 0\text{ V}, I_{DS} = 10\text{ mA}$	$V_{(BR)DSS}$	105	—	—	V
Drain Leakage Current	$V_{DS} = 50\text{ V}, V_{GS} = 0\text{ V}$	$I_{DSS}$	—	—	1	$\mu\text{A}$
	$V_{DS} = 105\text{ V}, V_{GS} = 0\text{ V}$	$I_{DSS}$	—	—	10	$\mu\text{A}$
Gate Leakage Current	$V_{GS} = 10\text{ V}, V_{DS} = 0\text{ V}$	$I_{GSS}$	—	—	1	$\mu\text{A}$
On-State Resistance (Main)	$V_{GS} = 10\text{ V}, V_{DS} = 0.1\text{ V}$	$R_{DS(on)}$	—	0.12	—	$\Omega$
	(Peak) $V_{GS} = 10\text{ V}, V_{DS} = 0.1\text{ V}$	$R_{DS(on)}$	—	0.08	—	$\Omega$
Operating Gate Voltage (Main)	$V_{DS} = 48\text{ V}, I_{DQ} = 0.9\text{ A}$	$V_{GS}$	3	3.5	4	V
	(Peak) $V_{DS} = 48\text{ V}, I_{DQ} = 0\text{ A}$	$V_{GS}$	—	2	—	V

**Maximum Ratings**

Parameter	Symbol	Value	Unit
Drain-Source Voltage	$V_{DSS}$	105	V
Gate-Source Voltage	$V_{GS}$	-6 to +12	V
Operating Voltage	$V_{DD}$	0 to +55	V
Junction Temperature	$T_J$	225	$^{\circ}\text{C}$
Storage Temperature Range	$T_{STG}$	-65 to +150	$^{\circ}\text{C}$

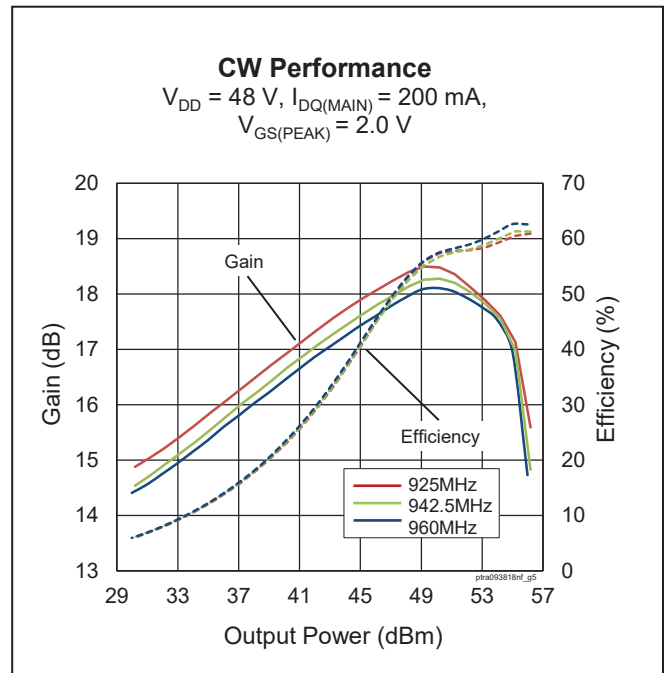
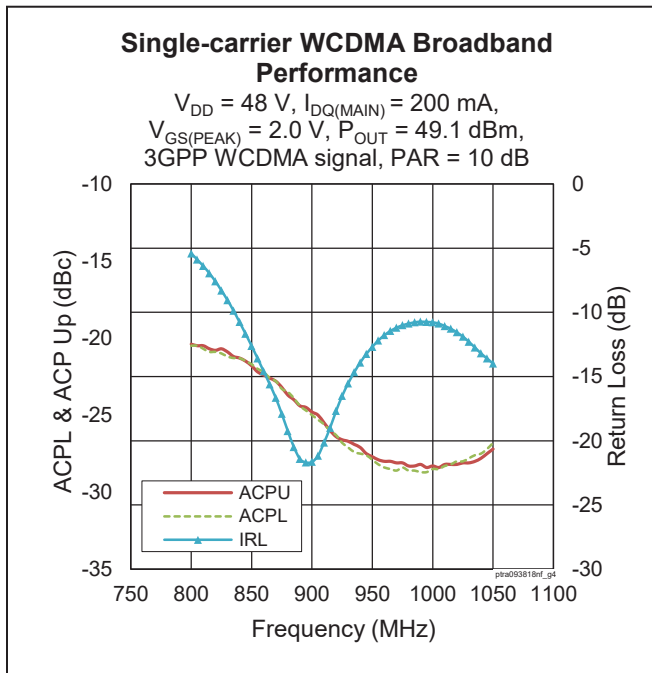
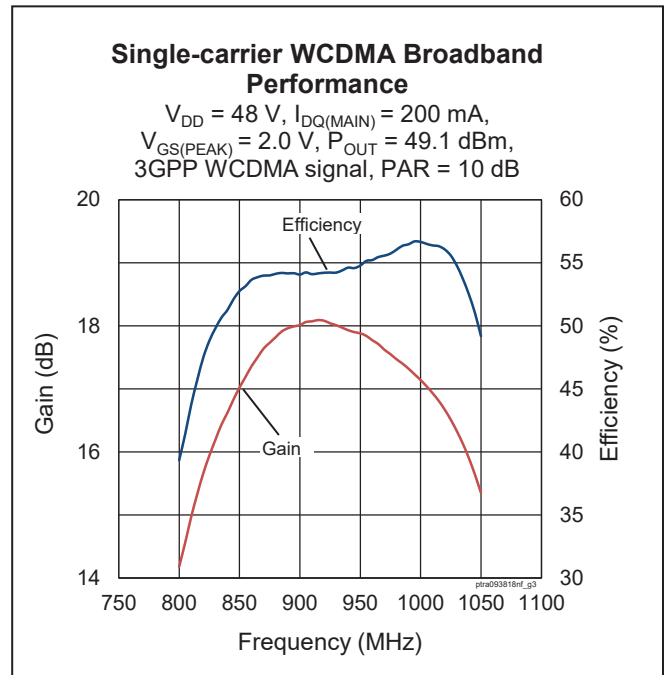
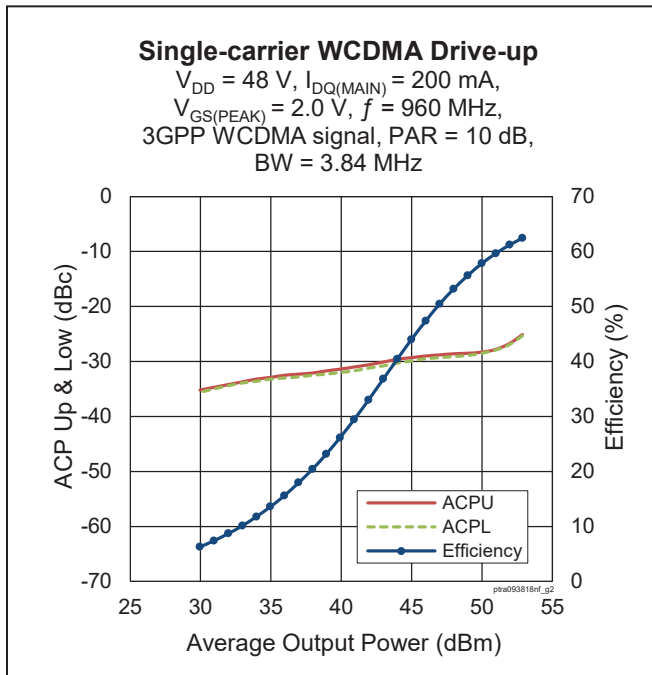
**Thermal Characteristics**

Parameter	Symbol	Value	Unit
Thermal Resistance (Main, $T_{CASE} = 70^{\circ}\text{C}, 81.3\text{ W CW}$ )	$R_{\theta JC}$	0.57	$^{\circ}\text{C/W}$

**Ordering Information**

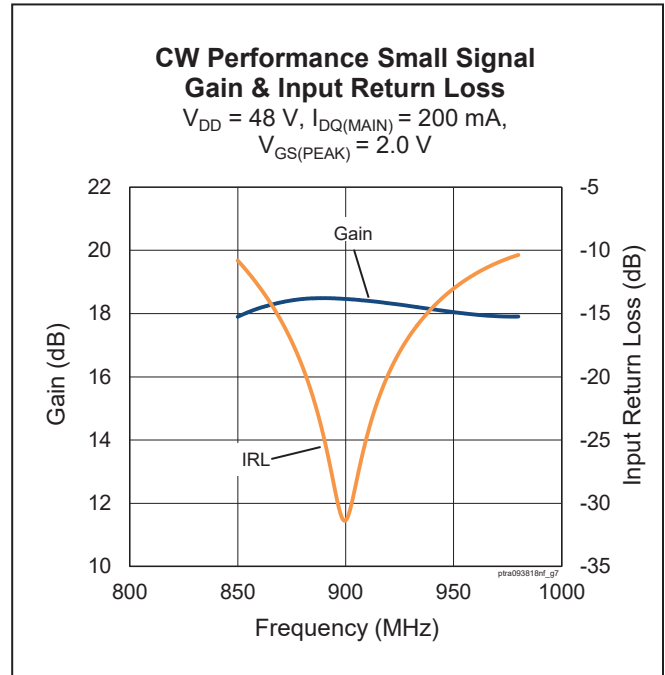
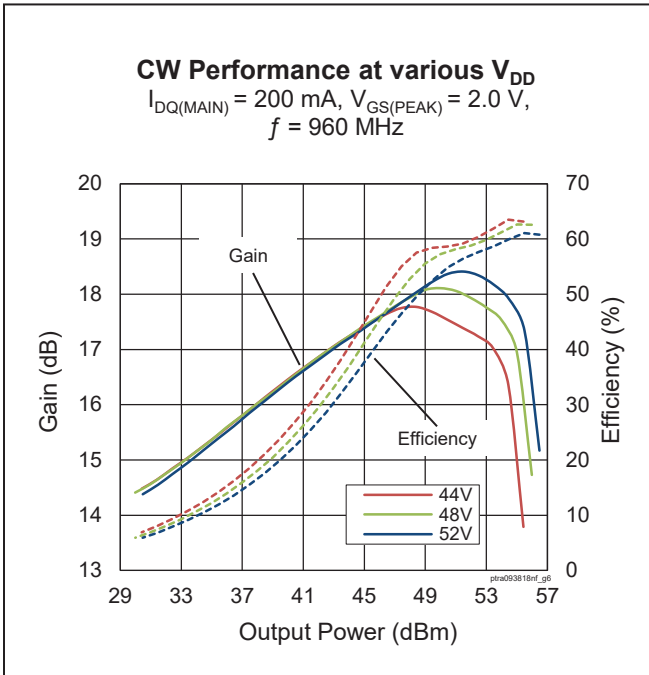
Type and Version	Order Code	Package Description	Shipping
PTRA093818NF V1 R5	PTRA093818NF-V1-R5	PG-HBSOF-6-2	Tape & Reel, 500 pcs

**Typical RF Performance** (data taken in production test fixture)





### Typical RF Performance (cont.)





## Load Pull Performance

**Main Side Load Pull Performance** – Pulsed CW signal: 10 μsec, 10% duty cycle,  $V_{DD} = 48\text{ V}$ ,  $I_{DQ} = 350\text{ mA}$ , class AB

		<b>P<sub>1dB</sub></b>									
		<b>Max Output Power</b>					<b>Max Drain Efficiency</b>				
<b>Freq [MHz]</b>	<b>Z<sub>s</sub> [Ω]</b>	<b>Z<sub>l</sub> [Ω]</b>	<b>Gain [dB]</b>	<b>P<sub>1dB</sub> [dBm]</b>	<b>P<sub>1dB</sub> [W]</b>	<b>η<sub>D</sub> [%]</b>	<b>Z<sub>l</sub> [Ω]</b>	<b>Gain [dB]</b>	<b>P<sub>1dB</sub> [dBm]</b>	<b>P<sub>1dB</sub> [W]</b>	<b>η<sub>D</sub> [%]</b>
925	2.34-j5.57	2.03-j1.79	19.7	53.30	216	60.0	3.40-j0.14	21.4	52.00	159	70.6
940	2.38-j5.42	2.09-j1.85	19.8	53.10	206	59.0	3.44-j0.44	21.5	51.70	147	69.3
960	3.96-j5.20	2.07-j1.66	20	53.10	205	61.0	3.33-j0.07	21.5	51.60	144	69.2

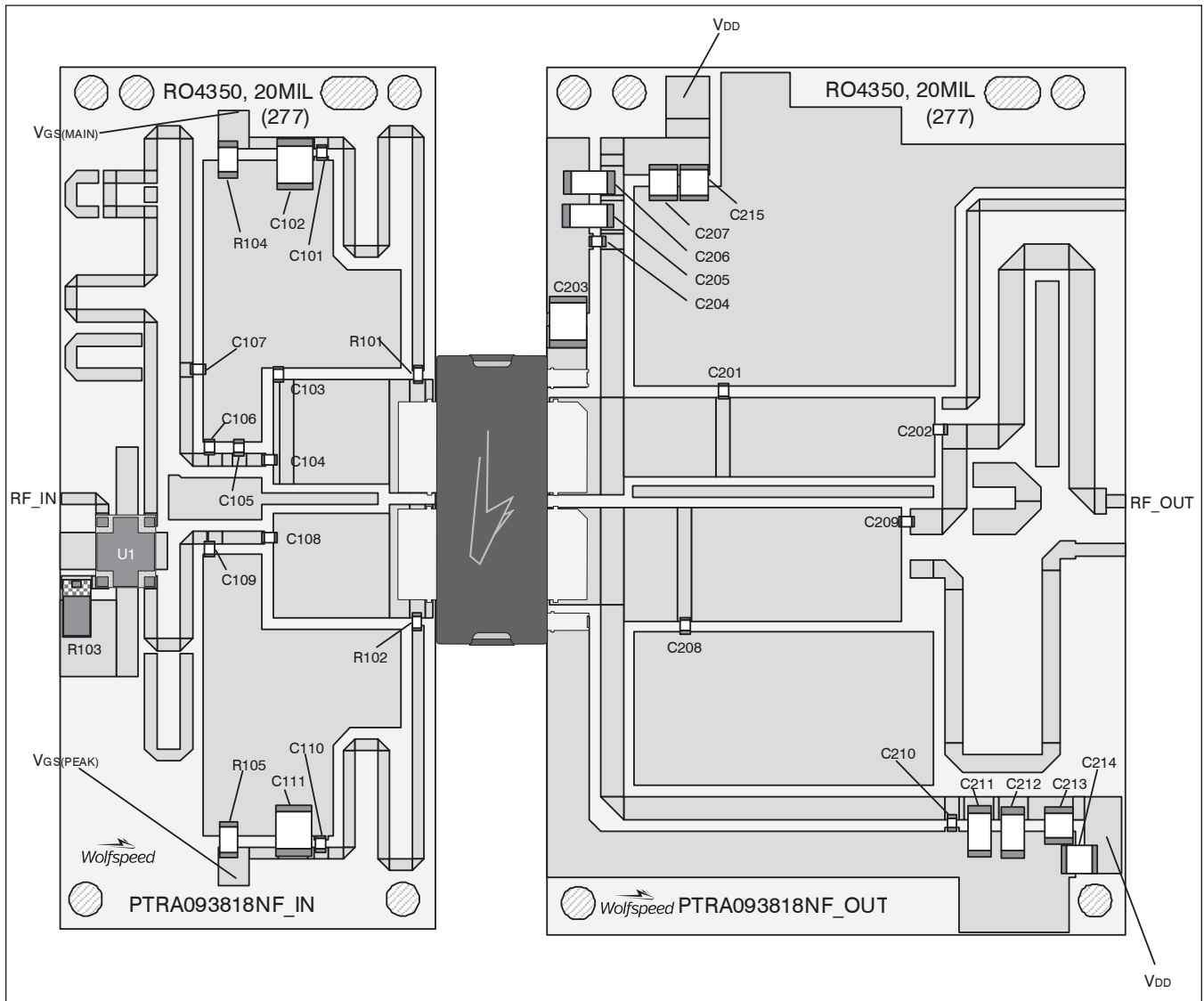
		<b>P<sub>3dB</sub></b>									
		<b>Max Output Power</b>					<b>Max Drain Efficiency</b>				
<b>Freq [MHz]</b>	<b>Z<sub>s</sub> [Ω]</b>	<b>Z<sub>l</sub> [Ω]</b>	<b>Gain [dB]</b>	<b>P<sub>3dB</sub> [dBm]</b>	<b>P<sub>3dB</sub> [W]</b>	<b>η<sub>D</sub> [%]</b>	<b>Z<sub>l</sub> [Ω]</b>	<b>Gain [dB]</b>	<b>P<sub>3dB</sub> [dBm]</b>	<b>P<sub>3dB</sub> [W]</b>	<b>η<sub>D</sub> [%]</b>
925	2.34-j5.57	2.13-j2.00	17.8	54.13	259	62.6	3.49-j0.40	19.4	52.76	189	72.1
940	2.38-j5.42	2.14-j2.24	17.8	53.91	246	60.0	4.01-j0.08	19.8	52.04	160	70.6
960	3.96-j5.20	2.19-j2.31	17.9	53.87	244	60.6	3.44-j0.18	19.5	52.28	169	70.7

**Peak Side Load Pull Performance** – Pulsed CW signal: 10 μsec, 10% duty cycle,  $V_{DD} = 48\text{ V}$ ,  $V_{GS(PEAK)} = 2\text{ V}$ , class C

		<b>P<sub>1dB</sub></b>									
		<b>Max Output Power</b>					<b>Max Drain Efficiency</b>				
<b>Freq [MHz]</b>	<b>Z<sub>s</sub> [Ω]</b>	<b>Z<sub>l</sub> [Ω]</b>	<b>Gain [dB]</b>	<b>P<sub>1dB</sub> [dBm]</b>	<b>P<sub>1dB</sub> [W]</b>	<b>η<sub>D</sub> [%]</b>	<b>Z<sub>l</sub> [Ω]</b>	<b>Gain [dB]</b>	<b>P<sub>1dB</sub> [dBm]</b>	<b>P<sub>1dB</sub> [W]</b>	<b>η<sub>D</sub> [%]</b>
925	1.92-j4.34	1.06-j2.15	15.3	55.05	320	59.7	1.0-j0.86	16.4	52.56	180	72.8
940	2.49-j4.58	1-j2.17	15.48	55.05	320	59.4	1-j0.84	16.4	52.20	166	71.9
960	3.20-j5.21	1.12-j2.37	15.54	55.00	316	59.0	1.06-j1.12	16.5	52.67	185	70.4

		<b>P<sub>3dB</sub></b>									
		<b>Max Output Power</b>					<b>Max Drain Efficiency</b>				
<b>Freq [MHz]</b>	<b>Z<sub>s</sub> [Ω]</b>	<b>Z<sub>l</sub> [Ω]</b>	<b>Gain [dB]</b>	<b>P<sub>3dB</sub> [dBm]</b>	<b>P<sub>3dB</sub> [W]</b>	<b>η<sub>D</sub> [%]</b>	<b>Z<sub>l</sub> [Ω]</b>	<b>Gain [dB]</b>	<b>P<sub>3dB</sub> [dBm]</b>	<b>P<sub>3dB</sub> [W]</b>	<b>η<sub>D</sub> [%]</b>
925	1.92-j4.34	1.33-j2.18	13.5	55.74	375	63.5	1.09-j0.98	14.4	53.57	228	72.7
940	2.49-j4.58	1.38-j2.45	13.3	55.70	372	59.4	1.04-j0.95	14.47	53.20	209	71.5
960	3.20-j5.21	1.04-j2.47	13.4	55.67	369	59.1	1.1-j1.26	14.57	53.50	224	70.0

### Reference Circuit, 925 – 960 MHz



Reference circuit assembly diagram (not to scale)



**Reference Circuit** (cont.)

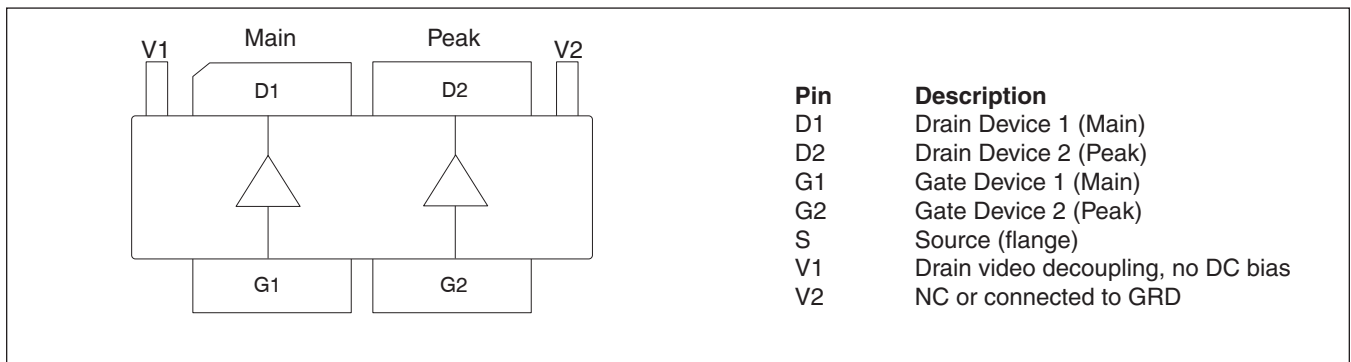
**Reference Circuit Assembly**

DUT	PTRA093818NF V1
Test Fixture Part No.	LTA/PTRA093818NF V1
PCB	Rogers 4350, 0.508 mm [0.020"] thick, 2 oz. copper, $\epsilon_r = 3.66$ , $f = 925 - 960$ MHz
Find Gerber files for this test fixture on the Wolfspeed Web site at <a href="http://www.wolfspeed.com/RF">www.wolfspeed.com/RF</a>	

**Components Information**

Component	Description	Manufacturer	P/N
<b>Input</b>			
C101, C104, C108, C110	Capacitor, 43 pF	ATC	ATC600F430JW250T
C102, C111	Capacitor, 4.7 $\mu$ F	TDK Corporation	C4532X7S2A475M230KB
C103	Capacitor, 3.3 pF	ATC	ATC600F3R3CW250T
C105	Capacitor, 2.2 pF	ATC	ATC600F2R2CW250T
C106, C109	Capacitor, 6.2 pF	ATC	ATC600F6R2CW250T
C107	Capacitor, 1.8 pF	ATC	ATC600F1R8CW250T
R101, R102	Resistor, 10 ohms	Panasonic Electronic Components	ERJ-3GEYJ100V
R103	Resistor, 50 ohms	ANAREN	C16A50Z4
R104, R105	Resistor, 1K ohms	Panasonic Electronic Components	ERJ-8GEYJ102V
U1	Hybrid Coupler	ANAREN	X3C09P1-04S
<b>Output</b>			
C201, C208	Capacitor, 6.2 pF	ATC	ATC600F6R2CW250T
C202	Capacitor, 10 pF	ATC	ATC600F100JW250T
C203, C205, C206, C211, C212	Capacitor, 4.7 $\mu$ F	TDK Corporation	C4532X7S2A475M230KB
C204, C209, C210	Capacitor, 43 pF	ATC	ATC600F430JW250T
C207, C213, C214, C215	Capacitor, 10 $\mu$ F	MURATA	GRM32EC72A106KE05

**Pinout Diagram** (top view)





**Package Outline Specifications**

**Package PG-HBSOF-6-2 (top view)**

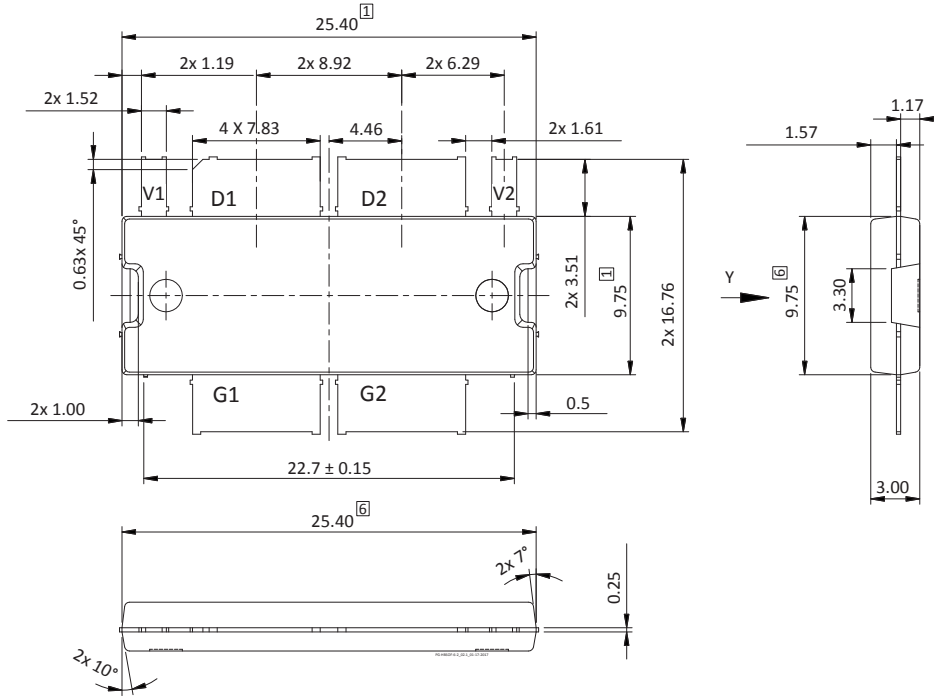


Diagram Notes—unless otherwise specified:

- 1. Mold/dam bar/metal protrusion of 0.30 mm max per side not included.
- 2. Metal protrusions are connected to source and shall not exceed 0.10 mm max.
- 3. Fillets and radii: all radii are 0.3 mm max.
- 4. Interpret dimensions and tolerances per ISO 8015.
- 5. Dimensions are mm.
- 6. Does not include mold/dam bar and metal protrusion.
- 7. Exposed metal surface is tin-plated, may not be covered by mold compound.
- 8. All tolerances ± 0.1 mm unless specified otherwise.
- 9. All metal surfaces are tin-plated, except area of cut.
- 10. Lead thickness: 0.25 mm.
- 11. Pins: D1, D2 = drain; G1, G2 = gate; S = source; V1 = drain video decoupling, no DC Bias, V2 = NC or connected to GRD



**Package Outline Specifications** (cont.)

**Package PG-HBSOF-6-2** (bottom view)

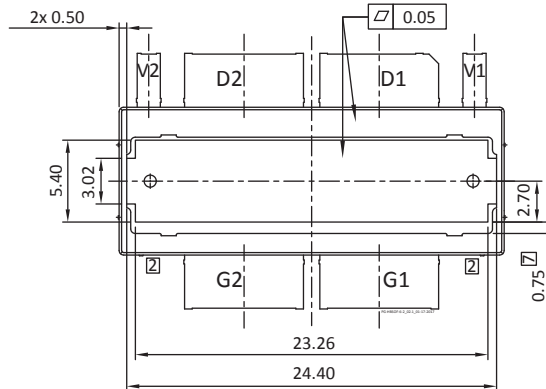


Diagram Notes—unless otherwise specified:

1. Mold/dam bar/metal protrusion of 0.30 mm max per side not included.
2. Metal protrusions are connected to source and shall not exceed 0.10 mm max.
3. Fillets and radii: all radii are 0.3 mm max.
4. Interpret dimensions and tolerances per ISO 8015.
5. Dimensions are mm.
6. Does not include mold/dam bar and metal protrusion.
7. Exposed metal surface is tin-plated, may not be covered by mold compound.
8. All tolerances  $\pm 0.1$  mm unless specified otherwise.
9. All metal surfaces are tin-plated, except area of cut.
10. Lead thickness: 0.25 mm.
11. Pins: D1, D2 = drain; G1, G2 = gate; S = source; V1 = drain video decoupling, no DC Bias, V2 = NC or connected to GRD

## Revision History

Revision	Date	Data Sheet Type	Page	Subjects (major changes since last revision)
01	2016-05-04	Advance	All	Data Sheet reflects advance specification for product development
02	2016-08-22	Advance	All	Revised package (3D rendering, package number and package outline)
03	2016-10-21	Production	All	Data Sheet reflects released product specification
03.1	2016-12-07	Production	All	Revised Maximum Ratings table
03.2	2016-01-12	Production	8, 9	Revised typo in package outline
03.3	2016-01-24	Production	7, 8, 9	Updated pinout diagram and package outline
04	2017-02-01	Production	2 8, 9	Updated Thermal Characteristics Updated Package Outline
04.1	2017-03-30	Production	3, 4	Fixed missing labels on CW performance graphs
05	2017-08-10	Production	6, 7	Updated circuit drawing and components information
05.1	2017-08-16	Production	6	Revised PCB layout
06	2018-06-20	Production	All	Converted to Wolfspeed Data Sheet

For more information, please contact:

4600 Silicon Drive  
Durham, North Carolina, USA 27703  
[www.wolfspeed.com/RF](http://www.wolfspeed.com/RF)

Sales Contact  
[RFSales@wolfspeed.com](mailto:RFSales@wolfspeed.com)

RF Product Marketing Contact  
[RFMarketing@wolfspeed.com](mailto:RFMarketing@wolfspeed.com)  
919.407.7816

## Notes

---

### Disclaimer

Specifications are subject to change without notice. Cree, Inc. believes the information contained within this data sheet to be accurate and reliable. However, no responsibility is assumed by Cree for any infringement of patents or other rights of third parties which may result from its use. No license is granted by implication or otherwise under any patent or patent rights of Cree. Cree makes no warranty, representation or guarantee regarding the suitability of its products for any particular purpose. "Typical" parameters are the average values expected by Cree in large quantities and are provided for information purposes only. These values can and do vary in different applications and actual performance can vary over time. All operating parameters should be validated by customer's technical experts for each application. Cree products are not designed, intended or authorized for use as components in applications intended for surgical implant into the body or to support or sustain life, in applications in which the failure of the Cree product could result in personal injury or death or in applications for planning, construction, maintenance or direct operation of a nuclear facility.

Компания «Life Electronics» занимается поставками электронных компонентов импортного и отечественного производства от производителей и со складов крупных дистрибьюторов Европы, Америки и Азии.

С конца 2013 года компания активно расширяет линейку поставок компонентов по направлению коаксиальный кабель, кварцевые генераторы и конденсаторы (керамические, пленочные, электролитические), за счёт заключения дистрибьюторских договоров

Мы предлагаем:

- Конкурентоспособные цены и скидки постоянным клиентам.
- Специальные условия для постоянных клиентов.
- Подбор аналогов.
- Поставку компонентов в любых объемах, удовлетворяющих вашим потребностям.
- Приемлемые сроки поставки, возможна ускоренная поставка.
- Доставку товара в любую точку России и стран СНГ.
- Комплексную поставку.
- Работу по проектам и поставку образцов.
- Формирование склада под заказчика.
- Сертификаты соответствия на поставляемую продукцию (по желанию клиента).
- Тестирование поставляемой продукции.
- Поставку компонентов, требующих военную и космическую приемку.
- Входной контроль качества.
- Наличие сертификата ISO.

В составе нашей компании организован Конструкторский отдел, призванный помогать разработчикам, и инженерам.

Конструкторский отдел помогает осуществить:

- Регистрацию проекта у производителя компонентов.
- Техническую поддержку проекта.
- Защиту от снятия компонента с производства.
- Оценку стоимости проекта по компонентам.
- Изготовление тестовой платы монтаж и пусконаладочные работы.



Тел: +7 (812) 336 43 04 (многоканальный)  
Email: [org@lifeelectronics.ru](mailto:org@lifeelectronics.ru)