



FCIconnect.com

Copyright FCI.

List of "SFV__R-3/4STE1HLF" customer document

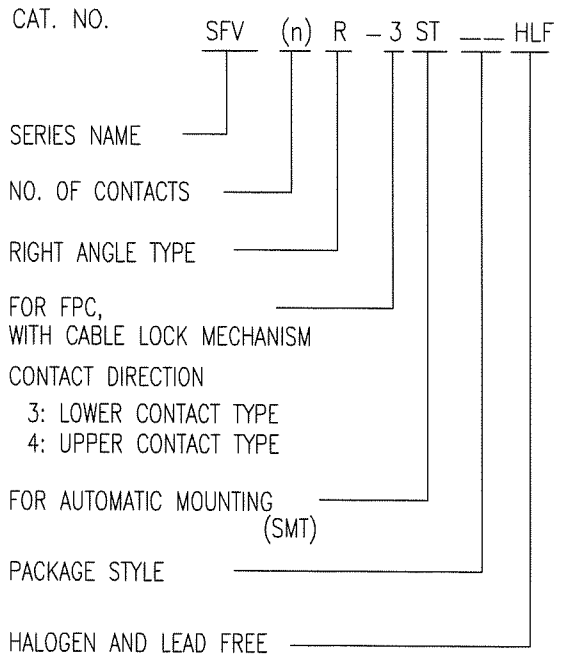
DOCUMENT NO.	LIST
10117319(Sheet1)	DOCUMENT LIST
10117319(Sheet2)	CAT.NO.TABLE FOR 0.5mm CONTACT SPACING CONNECTOR (SFV__R-3/4ST_HLF)
10117319(Sheet3)	CONNECTOR USED FOR FPC WITH 0.5mm CONTACT SPACING (SFV__R-3ST_HLF)
10117319(Sheet4)	CONNECTOR USED FOR FPC WITH 0.5mm CONTACT SPACING (SFV__R-4ST_HLF)
10117319(Sheet5)	CAT.NO.TABLE FOR PLASTIC TAPE PACKAGED 0.5mm CONTACT SPACING CONNECTOR (SFV__R-3/4STE1HLF)
10117319(Sheet6)	PLASTIC TAPE PACKAGED 0.5mm CONTACT SPACING CONNECTOR (SFV__R-3STE1HLF)
10117319(Sheet7)	PLASTIC TAPE PACKAGED 0.5mm CONTACT SPACING CONNECTOR (SFV__R-4STE1HLF)
10117319(Sheet8)	RECOMMENDED CABLE (FPC) (SFV__R-3/4ST_HLF)
GS-12-0844	SPEC.
BJM-SFV102	HANDLING PROCEDURES

mat'l. code				surface ISO 1302 <input checked="" type="checkbox"/>		tolerance ISO 406 ISO 1101		projection 		product family 58EF		CODE JP	
ltr		ecn no		dr		date		tolerances unless otherwise specified		title 0.5mm SPACING FPC CONNECTOR DOCUMENT LIST (Cat. No. : SFV__R-3/4STE1HLF)		dwg no 10117319	
A		J11-0042		S.W.		2011-2-10		angles					
								linear		scale		sheet 1 of 8	
				dr		2011-2-10		engr		2011-2-10		size A4	
				chr		2011-2-10		chr		2011-2-10		type Product Customer Drawing	
				appd		Feb 10/11		appd		Feb 10/11		Rev. A	
sheet index		revision sheet		A		A		A		A		A	
		1		2		3		4		5		6	
		7		8									

form: A4

CAT. NO. & DIMENSIONS

NO. OF CONTACTS (n)	CAT. NO.	DIMENSIONS (NOTE2)			
		A ± 0.2	B ± 0.2	C ± 0.1	D ± 0.1
4	SFV 4R-3/4ST__HLF	7.5	5.9	1.5	1.6
5	SFV 5R-3/4ST__HLF	8.0	6.4	2.0	2.1
6	SFV 6R-3/4ST__HLF	8.5	6.9	2.5	2.6
7	SFV 7R-3/4ST__HLF	9.0	7.4	3.0	3.1
8	SFV 8R-3/4ST__HLF	9.5	7.9	3.5	3.6
9	SFV 9R-3/4ST__HLF	10.0	8.4	4.0	4.1
10	SFV10R-3/4ST__HLF	10.5	8.9	4.5	4.6
11	SFV11R-3/4ST__HLF	11.0	9.4	5.0	5.1
12	SFV12R-3/4ST__HLF	11.5	9.9	5.5	5.6
13	SFV13R-3/4ST__HLF	12.0	10.4	6.0	6.1
14	SFV14R-3/4ST__HLF	12.5	10.9	6.5	6.6
15	SFV15R-3/4ST__HLF	13.0	11.4	7.0	7.1
16	SFV16R-3/4ST__HLF	13.5	11.9	7.5	7.6
17	SFV17R-3/4ST__HLF	14.0	12.4	8.0	8.1
18	SFV18R-3/4ST__HLF	14.5	12.9	8.5	8.6
19	SFV19R-3/4ST__HLF	15.0	13.4	9.0	9.1
20	SFV20R-3/4ST__HLF	15.5	13.9	9.5	9.6
21	SFV21R-3/4ST__HLF	16.0	14.4	10.0	10.1
22	SFV22R-3/4ST__HLF	16.5	14.9	10.5	10.6
23	SFV23R-3/4ST__HLF	17.0	15.4	11.0	11.1
24	SFV24R-3/4ST__HLF	17.5	15.9	11.5	11.6
25	SFV25R-3/4ST__HLF	18.0	16.4	12.0	12.1
26	SFV26R-3/4ST__HLF	18.5	16.9	12.5	12.6
27	SFV27R-3/4ST__HLF	19.0	17.4	13.0	13.1
28	SFV28R-3/4ST__HLF	19.5	17.9	13.5	13.6
29	SFV29R-3/4ST__HLF	20.0	18.4	14.0	14.1
30	SFV30R-3/4ST__HLF	20.5	18.9	14.5	14.6
31	SFV31R-3/4ST__HLF	21.0	19.4	15.0	15.1
32	SFV32R-3/4ST__HLF	21.5	19.9	15.5	15.6
33	SFV33R-3/4ST__HLF	22.0	20.4	16.0	16.1
34	SFV34R-3/4ST__HLF	22.5	20.9	16.5	16.6
35	SFV35R-3/4ST__HLF	23.0	21.4	17.0	17.1



NOTES

1. THIS PRODUCT IS THE CONNECTOR USED FOR FPC AND COPES WITH AUTOMATIC MOUNTING (SMT).
2. SEE PART DRAWINGS FOR DIMENSIONS A~D.
3. THIS PRODUCT IS THE CONNECTOR WITH CABLE LOCK MECHANISM.



FCIconnect.com

Copyright FCI.

mat'l. code		surface ISO 1302 <input checked="" type="checkbox"/> tolerance ISO 406 ISO 1101		projection		product family 58EF		CODE JP	
ltr		ecn no		dr		date		tolerances unless otherwise specified	
A								angles linear	
								mm	
								scale X	
				dr		S. Wicks 2011-2-10		dwg no	
				enrg		S. Wicks 2011-2-10		sheet 2 of 8	
				chr		Y. Kawada 2011-2-10		10117319	
				appd		M. Kim Feb 10 11		size A4	
sheet index		revision sheet						type Product Customer Drawing	
								Rev. A	



PT. NO.	PARTS NAME	MATERIAL	Q'TY	NOTE
1	HOUSING	13~35pin : LCP RESIN GLASS REINFORCED (UL94V-0)	1	COLOR : BLACK (HALOGEN FREE)
		4~12pin : POLYAMIDE RESIN GLASS REINFORCED (UL94V-0)		
2	SLIDER	PPS RESIN GLASS REINFORCED (UL94V-0)	1	COLOR : GRAY (HALOGEN FREE)
3	CONTACT	PHOSPHOR BRONZE	n	PLATING : MATTE PURE TIN Ni UNDER PLATED (LEAD FREE)
4	MOUNTING PLATE		2	

RECOMMENDED PC BOARD LAYOUT
(COMPONENT SIDE)

PATTERN FOR
MOUNTING PLATE
FIXING



n : NO. OF CONTACTS

NOTES

1. THIS PRODUCT IS THE CONNECTOR USED FOR FPC AND COPES WITH AUTOMATIC MOUNTING (SMT).
2. THIS PRODUCT IS LOWER CONTACT TYPE CONNECTOR WITH CABLE LOCK MECHANISM.
3. FLATNESS OF CONTACT TERMINAL AND MOUNTING PLATE MUST BE WITHIN TOLERANCE IN E PORTION DETAILED DRAWING.
4. THIS PRODUCT MEETS EUROPEAN UNION DIRECTIVES AND OTHER COUNTRY REGULATIONS AS DESCRIBED IN GS-22-008.
5. THE HOUSING WILL WITHSTAND EXPOSURE TO 260°C PEAK TEMPERATURE FOR 10 SECONDS IN A REFLOW SOLDERING OVEN.

mat'l. code		surface ISO 1302		tolerance ISO 406		projection		product family 58EF		CODE JP	
ltr A		ecn no		dr		date		tolerances unless otherwise specified		title	
								±0.2		CONNECTOR USED FOR FPC WITH 0.5 mm CONTACT SPACING (Cat. No. : SFV__R-3ST__HLF)	
				angles		linear		mm		scale X	
				dr		2011-2-10		FCJ		dwg no sheet 3 of 8 size	
				enr		2011-2-10				10117319 A4	
				chr		2011-2-10				type Product Customer Drawing	
				appd		Feb 10/11				Rev. A	
sheet index		revision sheet									



FCIconnect.com

Copyright FCI.



PT. NO.	PARTS NAME	MATERIAL	Q'TY	NOTE
1	HOUSING	13~35pin : LCP RESIN GLASS REINFORCED (UL94V-0)	1	COLOR : BLACK (HALOGEN FREE)
		4~12pin : POLYAMIDE RESIN GLASS REINFORCED (UL94V-0)		
2	SLIDER	PPS RESIN GLASS REINFORCED (UL94V-0)	1	COLOR : GRAY (HALOGEN FREE)
3	CONTACT	PHOSPHOR BRONZE	n	PLATING : MATTE PURE TIN Ni UNDER PLATED (LEAD FREE)
4	MOUNTING PLATE		2	

n : NO. OF CONTACTS

RECOMMENDED PC BOARD LAYOUT
(COMPONENT SIDE)



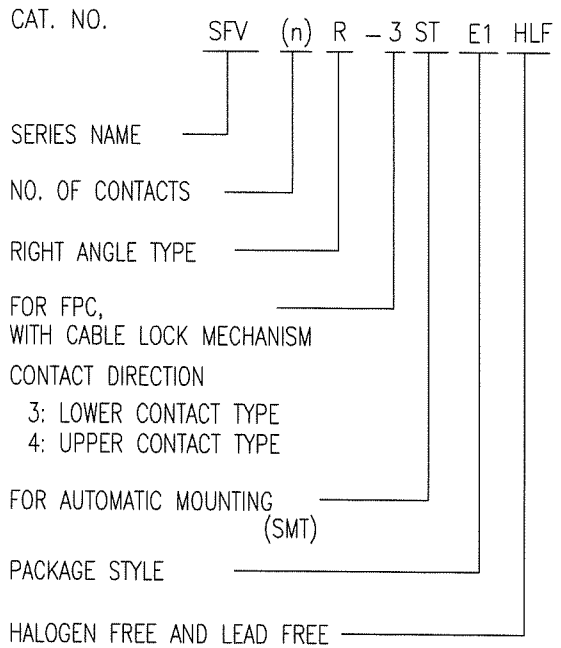
NOTES

- THIS PRODUCT IS THE CONNECTOR USED FOR FPC AND COPES WITH AUTOMATIC MOUNTING (SMT).
- THIS PRODUCT IS UPPER CONTACT TYPE CONNECTOR WITH CABLE LOCK MECHANISM.
- FLATNESS OF CONTACT TERMINAL AND MOUNTING PLATE MUST BE WITHIN TOLERANCE IN E PORTION DETAILED DRAWING.
- THIS PRODUCT MEETS EUROPEAN UNION DIRECTIVES AND OTHER COUNTRY REGULATIONS AS DESCRIBED IN GS-22-008.
- THE HOUSING WILL WITHSTAND EXPOSURE TO 260°C PEAK TEMPERATURE FOR 10 SECONDS IN A REFLOW SOLDERING OVEN.

mat'l. code		surface ISO 1302 ✓		tolerance ISO 406 ISO 1101		projection		product family 58EF		CODE JP	
ltr	ecn no	dr	date	tolerances unless otherwise specified		mm		title			
A				angles	linear	mm		CONNECTOR USED FOR FPC WITH 0.5 mm CONTACT SPACING (Cat. No. : SFV__R-4ST__HLF)			
		dr	<i>S. Nishida</i>	2011-2-10	scale		dwg no		sheet 4 of 8		size
		enr	<i>S. Nishida</i>	2011-2-10	FCI		10117319				A4
		chr	<i>Y. Kamada</i>	2011-2-10			type		Product Customer Drawing		
		appd	<i>M. Iwano</i>	Feb/11							Rev. A
sheet index	revision sheet										

CAT. NO. & DIMENSIONS

NO. OF CONTACTS (n)	CAT. NO.	DIMENSIONS (NOTE3)		
		F ± 5	G ± 0.3	H ± 0.1
4	SFV 4R-3/4STE1HLF	20.4	16	—
5	SFV 5R-3/4STE1HLF	20.4	16	—
6	SFV 6R-3/4STE1HLF	20.4	16	—
7	SFV 7R-3/4STE1HLF	28.4	24	—
8	SFV 8R-3/4STE1HLF	28.4	24	—
9	SFV 9R-3/4STE1HLF	28.4	24	—
10	SFV10R-3/4STE1HLF	28.4	24	—
11	SFV11R-3/4STE1HLF	28.4	24	—
12	SFV12R-3/4STE1HLF	28.4	24	—
13	SFV13R-3/4STE1HLF	28.4	24	—
14	SFV14R-3/4STE1HLF	28.4	24	—
15	SFV15R-3/4STE1HLF	28.4	24	—
16	SFV16R-3/4STE1HLF	28.4	24	—
17	SFV17R-3/4STE1HLF	28.4	24	—
18	SFV18R-3/4STE1HLF	28.4	24	—
19	SFV19R-3/4STE1HLF	28.4	24	—
20	SFV20R-3/4STE1HLF	28.4	24	—
21	SFV21R-3/4STE1HLF	28.4	24	—
22	SFV22R-3/4STE1HLF	28.4	24	—
23	SFV23R-3/4STE1HLF	36.4	32	28.4
24	SFV24R-3/4STE1HLF	36.4	32	28.4
25	SFV25R-3/4STE1HLF	36.4	32	28.4
26	SFV26R-3/4STE1HLF	36.4	32	28.4
27	SFV27R-3/4STE1HLF	36.4	32	28.4
28	SFV28R-3/4STE1HLF	36.4	32	28.4
29	SFV29R-3/4STE1HLF	36.4	32	28.4
30	SFV30R-3/4STE1HLF	36.4	32	28.4
31	SFV31R-3/4STE1HLF	48.4	44	40.4
32	SFV32R-3/4STE1HLF	48.4	44	40.4
33	SFV33R-3/4STE1HLF	48.4	44	40.4
34	SFV34R-3/4STE1HLF	48.4	44	40.4
35	SFV35R-3/4STE1HLF	48.4	44	40.4



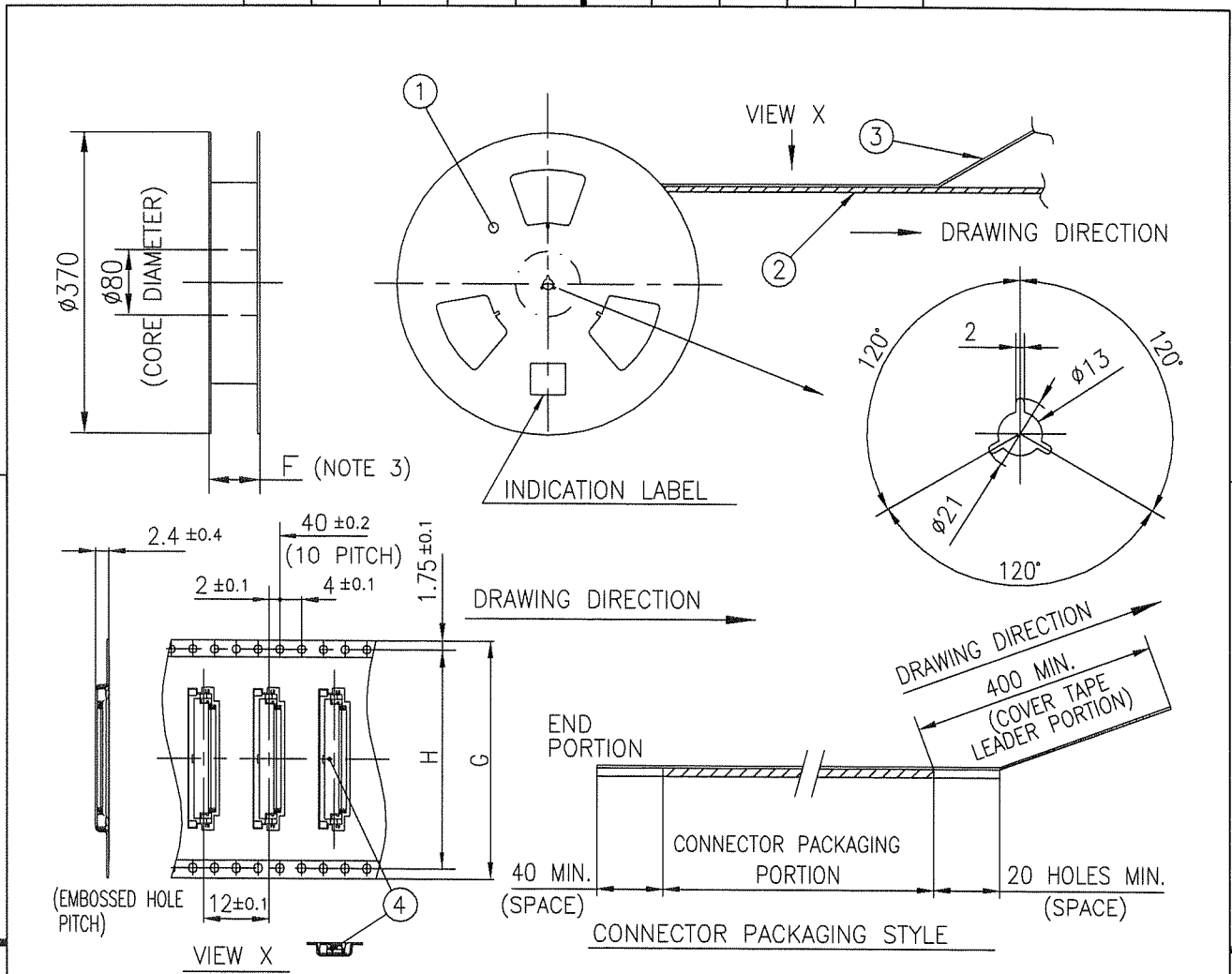
NOTES

1. THIS PRODUCT IS THE CONNECTOR USED FOR FPC AND COPES WITH AUTOMATIC MOUNTING (SMT).
2. THIS CATALOG NO. INDICATES PLASTIC TAPE PACKAGED
3. SEE PART DRAWINGS FOR DIMENSIONS F~H.
4. THIS PRODUCT IS THE CONNECTOR WITH CABLE LOCK MECHANISM.



Copyright FCI.

mat'l. code				surface ISO 1302 <input checked="" type="checkbox"/>		tolerance ISO 406 <input checked="" type="checkbox"/>		projection		product family 58EF		CODE JP	
ltr ecn no dr date				tolerances unless otherwise specified		mm		title		CAT. NO. TABLE FOR PLASTIC TAPE PACKAGED 0.5 mm CONTACT SPACING CONNECTOR (Cat. No. : SFV__R-3/4STE1HLF)			
A				angles linear		scale \propto		dwg no		sheet 5 of 8		size	
				dr <i>S. Mithal</i> 2011-2-10				10117319				A4	
				enr <i>S. Mithal</i> 2011-2-10				type		Product Customer Drawing			
				chr <i>V. Zamora</i> 2011-2-10									
				appd <i>MC</i> Feb 10 11									
sheet index		revision sheet										Rev. A	



PT. NO.	PARTS NAME	CAT. NO.	MATERIAL	Q'TY	NOTE
1	REEL	—	CARDBOARD	1	COLOR : WHITE
2	PLASTIC (EMBOSS) TAPE	—	A-PET	—	COLOR : TRANSPARENCY
3	COVER	—	POLYESTER	—	COLO : TRANSPARENCY
4	CONNECTOR	SFV__R-3ST_HLF	SEE ATTACHED DWG.	3000	LOWER CONTACT TYPE WITH CABLE LOCK MECHANISM

NOTES

1. THIS IS PLASTIC TAPE PACKAGED CONNECTOR USED FOR FPC AND COPES WITH AUTOMATIC MOUNTING (SMT).
2. SEE JIS C 0806 (PACKING OF ELECTRONIC COMPONENTS ON CONTINUOUS TAPES (SURFACE MOUNTING DEVICES)) FOR SHAPE AND DIMENSIONS OF PLASTIC (EMBOSS) TAPE AND REEL.
3. F DIMENSION IS PORTION OF THE CORE.

mat'l. code		surface ISO 1302 <input checked="" type="checkbox"/>		tolerance ISO 406 <input checked="" type="checkbox"/>		projection		product family 58EF		CODE JP			
ltr		ecn no		dr		date		tolerances unless otherwise specified		title			
A								±5		PLASTIC TAPE PACKAGED			
				angles				linear		0.5 mm CONTACT SPACING CONNECTOR			
				±5'						(Cat. No. : SFV__R-3STE1HLF)			
				dr		2011-2-10				dwg no			
				enr		2011-2-10				sheet 6 of 8		size	
				chr		2011-2-10				10117319		A4	
				appd		Feb 10 11				type		Product Customer Drawing	
sheet index		revision sheet								Rev. A			

FCI connect.com

Copyright FCI.



PT. NO.	PARTS NAME	CAT. NO.	MATERIAL	Q'TY	NOTE
1	REEL	—	CARDBOARD	1	COLOR : WHITE
2	PLASTIC (EMBOSS) TAPE	—	A-PET	—	COLOR : TRANSPARENCY
3	COVER	—	POLYESTER	—	COLOR : TRANSPARENCY
4	CONNECTOR	SFV__R-4ST__HLF	SEE ATTACHED DWG.	3000	UPPER CONTACT TYPE WITH CABLE LOCK MECHANISM

- NOTES
- THIS IS PLASTIC TAPE PACKAGED CONNECTOR USED FOR FPC AND COPES WITH AUTOMATIC MOUNTING (SMT).
 - SEE JIS C 0806 (PACKING OF ELECTRONIC COMPONENTS ON CONTINUOUS TAPES (SURFACE MOUNTING DEVICES)) FOR SHAPE AND DIMENSIONS OF PLASTIC (EMBOSS) TAPE AND REEL.
 - F DIMENSION IS PORTION OF THE CORE.

mat'l. code		surface ISO 1302 <input checked="" type="checkbox"/> ISO 406 <input type="checkbox"/> ISO 1101		tolerance ISO 406 <input type="checkbox"/> ISO 1101		projection 		product family 58EF		CODE JP	
ltr		ecn no		dr		date		title PLASTIC TAPE PACKAGED 0.5 mm CONTACT SPACING CONNECTOR (Cat. No. : SFV__R-4STE1HLF)		dwg no 10117319	
A								sheet 7 of 8		size A4	
				angles linear ±5'		mm		scale \times		type Product Customer Drawing	
		dr		S. Nishida 2011-2-10				FCJ			
		enr		S. Nishida 2011-2-10							
		chr		Y. Kamada 2011-2-10							
		appd		M. Ueda 2011-2-10							
sheet index		revision sheet								Rev. A	

FCJ
FCIconnect.com

Copyright FCI.

RECOMMENDED CABLE (FPC)

n : NO. OF CONTACTS



PT. NO.	PARTS NAME	MATERIAL	THICKNESS (um)
1	BASE FILM	POLYIMIDE OR POLYESTER OR EQUAL	25
2	CONDUCTOR	COPPER FOIL(PLATING : TIN or SOLDER 1um min.)	35
3	OVERLAY	POLYIMIDE OR POLYESTER OR EQUAL	—
4	SUPPORTING TAPE	POLYESTER OR POLYIMIDE OR EQUAL	188

NOTES

1. NO BURR AT EACH PORTION.
2. NO PEELING IN COMMON USE.
3. TOTAL THICKNESS LIMIT OF EACH MATERIAL (INCLUDING ADHESIVE AGENT) IS SPECIFIED.
4. THIS DIMENSION INDICATES THE RANGE FOR 0.3±0.035 CONDUCTOR WIDTH.

mat'l. code		surface ISO 1302 <input checked="" type="checkbox"/>		tolerance ISO 406 <input checked="" type="checkbox"/>		projection		product family 58EF		CODE JP	
ltr		ecn no		dr		date		title		RECOMMENDED CABLE	
A								(Cat. No. : SFV__R-3/4STB__HLF)			
		angles		linear		mm		scale X		dwg no	
										sheet 8 of 8	
		dr		2011-2-10				10117319		size A4	
		enr		2011-2-10							
		chr		2011-2-10							
		appd		Feb 10 2011							
sheet index		revision sheet						type Product Customer Drawing		Rev. A	



FCIconnect.com

Copyright FCI.

Компания «Life Electronics» занимается поставками электронных компонентов импортного и отечественного производства от производителей и со складов крупных дистрибьюторов Европы, Америки и Азии.

С конца 2013 года компания активно расширяет линейку поставок компонентов по направлению коаксиальный кабель, кварцевые генераторы и конденсаторы (керамические, пленочные, электролитические), за счёт заключения дистрибьюторских договоров

Мы предлагаем:

- Конкурентоспособные цены и скидки постоянным клиентам.
- Специальные условия для постоянных клиентов.
- Подбор аналогов.
- Поставку компонентов в любых объемах, удовлетворяющих вашим потребностям.
- Приемлемые сроки поставки, возможна ускоренная поставка.
- Доставку товара в любую точку России и стран СНГ.
- Комплексную поставку.
- Работу по проектам и поставку образцов.
- Формирование склада под заказчика.
- Сертификаты соответствия на поставляемую продукцию (по желанию клиента).
- Тестирование поставляемой продукции.
- Поставку компонентов, требующих военную и космическую приемку.
- Входной контроль качества.
- Наличие сертификата ISO.

В составе нашей компании организован Конструкторский отдел, призванный помогать разработчикам, и инженерам.

Конструкторский отдел помогает осуществить:

- Регистрацию проекта у производителя компонентов.
- Техническую поддержку проекта.
- Защиту от снятия компонента с производства.
- Оценку стоимости проекта по компонентам.
- Изготовление тестовой платы монтаж и пусконаладочные работы.



Тел: +7 (812) 336 43 04 (многоканальный)
Email: org@lifeelectronics.ru