

HCPL-2730/0730/2731/0731

Dual Channel Low Input Current, High Gain Optocouplers



Data Sheet

Lead (Pb) Free
RoHS 6 fully compliant

RoHS 6 fully compliant options available;
-xxxE denotes a lead-free product

Description

These dual channel optocouplers contain a separated pair of GaAsP light emitting diodes optically coupled to a pair of integrated high gain photo detectors. They provide extremely high current transfer ratio and excellent input-output common mode transient immunity. A separate pin for the photodiodes and first gain stages (V_{CC}) permits lower output saturation voltage and higher speed operation than possible with conventional photodarlington type optocouplers. In addition, V_{CC} may be as low as 1.6V without adversely affecting the parametric performance.

These dual channel optocouplers are available in an 8-Pin DIP and in an industry standard SO-8 package. The following is a cross reference table listing the 8-Pin DIP part number and the electrically equivalent SOIC-8 part number.

| 8-Pin DIP | SO-8 |
|-----------|-----------|
| HCPL-2730 | HCPL-0730 |
| HCPL-2731 | HCPL-0731 |

The SO-8 does not require “through holes” in a PCB. This package occupies approximately one-third the footprint area of the standard dual-in-line package. The lead profile is designed to be compatible with standard surface mount processes.

Functional Diagram



| LED | V_O |
|-----|-------|
| ON | LOW |
| OFF | HIGH |

A 0.1 μ F bypass capacitor connected between pins 5 and 8 is recommended.

Features

- High current transfer ratio – 1800% typical
- Low input current requirements – 0.5 mA
- Low output saturation voltage – 0.1 V
- High density packaging
- Performance guaranteed over temperature 0°C to 70°C
- LSTTL compatible
- High output current – 60 mA
- Safety approval:
 - UL recognized – 3750 V rms for 1 minute and 5000V rms* for 1 minute
 - CSA approved
- Available in 8 pin DIP and SO-8 footprint
- MIL-PRF-38534 hermetic version available (HCPL-5730/5731)
- Surface mount gull wing option available for 8-pin DIP (Option 300)

Applications

- Digital logic ground isolation
- Telephone ring detector
- Level shifting
- EIA RS-232C line receiver
- Polarity sensing
- Low input current line receiver – long line or party line
- Microprocessor bus isolation
- Current loop receiver
- Line voltage status indicator – low input power dissipation

*5000 V rms/1 minute withstand voltage rating is for Option 020 (HCPL-2730, HCLP-2731) products only.

CAUTION: It is advised that normal static precautions be taken in handling and assembly of this component to prevent damage and/or degradation which may be induced by ESD.

Guaranteed operation at low input currents and the high current transfer ratio (CTR) reduce the magnitude and effects of CTR degradation.

The outstanding high temperature performance of this split Darlington type output amplifier results from the inclusion of an integrated emitter-base bypass resistor which shunts photodiode and first stage leakage currents to ground.

The HCPL-2731/0731 have a 400% minimum CTR at an input current of only 0.5 mA making it ideal for use in low input current applications such as MOS, CMOS, and low power logic interfacing or RS232C data transmission systems. In addition, the high CTR and high output current capability make

this device extremely useful in applications where a high fanout is required. Compatibility with high voltage CMOS logic systems is guaranteed by the $18V_{CC}$ and V_o specifications and by testing output high leakage (I_{OH}) at 18 V.

The HCPL-2730/0730 are specified at an input current of 1.6 mA and have a 7 V V_{CC} and V_o rating. The 300% minimum CTR allows TTL to TTL interfacing at this input current.

Important specifications such as CTR, leakage current, and output saturation voltage are guaranteed over the 0°C to 70°C temperature range to allow trouble-free system operation. Selection for lower input currents down to 250 μ A is available upon request.

Selection Guide

| 8-Pin DIP (300 Mil) | | Small Outline SO-8 | | Widebody Package (400 mil) | Minimum Input ON Current (I_p) | Minimum CTR | Absolute Maximum V_{CC} | Hermetic |
|--------------------------|----------------------------|------------------------------|----------------------------|----------------------------|------------------------------------|-------------|---------------------------|--|
| Single Channel Package | Dual Channel Package HCPL- | Single Channel Package HCPL- | Dual Channel Package HCPL- | Single Channel Package | | | | Single and Dual Channel Packages HCPL- |
| 6N139 ^[1] | 2731 | 0701 ^[1] | 0731 | HCNW139 ^[1] | 0.5 mA | 400% | 18 V | |
| 6N138 ^[1] | 2730 | 0700 ^[1] | 0730 | HCNW138 ^[1] | 1.6 mA | 300% | 7 V | |
| HCPL-4701 ^[1] | 4731 ^[1] | 070A ^[1] | 073A ^[1] | | 40 μ A | 800% | 18 V | |
| | | | | | 0.5 mA | 300% | 20 V | 5701 ^[1] 5700 ^[1] 5731 ^[1] 5730 ^[1] |

Note:

1. Technical data are on separate Avago publications.

Ordering Information

HCPL-2730, HCPL-2731, HCPL-0730 and HCPL-0731 are UL Recognized with 3750 Vrms for 1 minute per UL1577 and are approved under CSA Component Acceptance Notice #5, File CA 88324.

| Part number | Option | | Package | Surface Mount | Gull Wing | Tape & Reel | UL 5000 Vrms/ 1 Minute rating | IEC/EN/DIN EN 60747-5-2 | Quantity |
|------------------------|------------------------|--------------------|-----------------|---------------|-----------|-------------|----------------------------------|----------------------------|---------------|
| | RoHS Compliant | Non RoHS Compliant | | | | | | | |
| HCPL-2730 HCPL-2731 | -000E | No option | 300mil DIP-8 | | | | | | 50 per tube |
| | -300E | -300 | | X | X | | | | 50 per tube |
| | -500E | -500 | | X | X | X | | | 1000 per reel |
| | -020E | -020 | | | | | X | | 50 per tube |
| | -320E | -320 | | X | X | | X | | 50 per tube |
| | -520E | -520 | | X | X | X | X | | 1000 per reel |
| | -060E | -060 | | | | | | X | 50 per tube |
| | -360E | -360 | | X | X | | | X | 50 per tube |
| | -560E | -560 | | X | X | X | | X | 1000 per reel |
| | HCPL-0730 HCPL-0731 | -000E | | No option | 50-8 | | | | |
| -500E | | -500 | X | X | | X | | | 1500 per reel |
| -060E | | -060 | | | | | | X | 100 per tube |
| -560E | | -560 | X | X | | X | | X | 1500 per reel |

To order, choose a part number from the part number column and combine with the desired option from the option column to form an order entry.

Example 1:

HCPL-2730-520E to order product of 300mil DIP Gull Wing Surface Mount package in Tape and Reel packaging with UL 5kVrms 1minute rating in RoHS compliant.

Example 2:

HCPL-2730 to order product of 300mil DIP package in tube packaging and non RoHS compliant.

Option datasheets are available. Contact your Avago sales representative or authorized distributor for information.

Remarks: The notation '#XXX' is used for existing products, while (new) products launched since 15th July 2001 and RoHS compliant option will use '-XXxE'.

Schematic



USE OF A 0.1 μ F BYPASS CAPACITOR CONNECTED BETWEEN PINS 5 AND 8 IS RECOMMENDED (SEE NOTE 8)

Package Outline Drawings

8-Pin DIP Package (HCPL-2731/HCPL-2730)



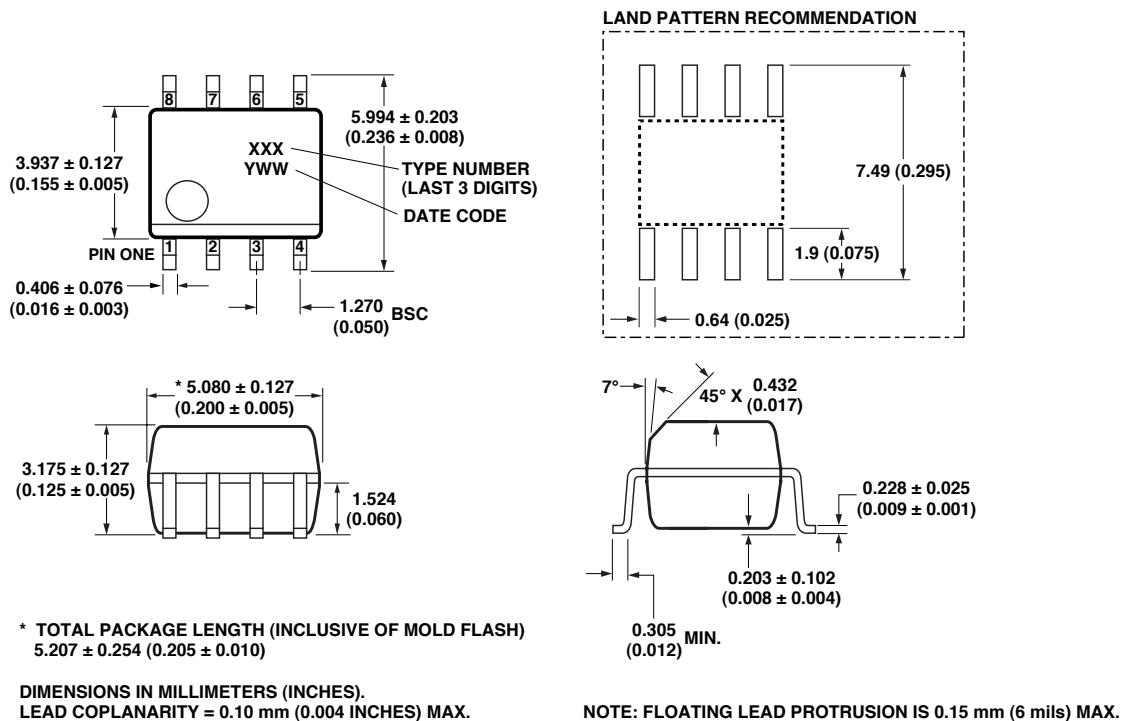
DIMENSIONS IN MILLIMETERS AND (INCHES).
 *MARKING CODE LETTER FOR OPTION NUMBERS
 "L" = OPTION 020
 OPTION NUMBERS 300 AND 500 NOT MARKED.

NOTE: FLOATING LEAD PROTRUSION IS 0.25 mm (10 mils) MAX.

8-Pin DIP Package with Gull Wing Surface Mount Option 300 (HCPL-2731/HCPL-2730)



Small Outline S0-8 Package (HCPL-0731/HCPL-0730)

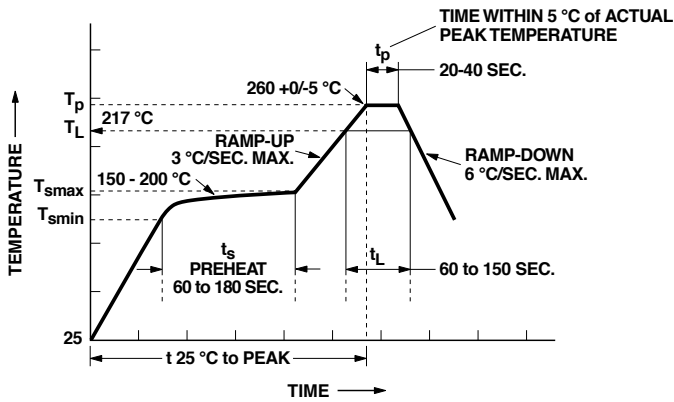


Solder Reflow Thermal Profile



Note: Non-halide flux should be used.

Recommended Pb-Free IR Profile



NOTES:
 THE TIME FROM 25 °C to PEAK TEMPERATURE = 8 MINUTES MAX.
 $T_{smax} = 200^{\circ}\text{C}$, $T_{smin} = 150^{\circ}\text{C}$

Note: Non-halide flux should be used.

Regulatory Information

The HCPL-2731/2730 have been approved by the following organizations:

UL

Recognized under UL 1577, Component Recognition Program, File E55361.

CSA

Approved under CSA Component Acceptance Notice #5, File CA 88324.

IEC/EN/DIN EN 60747-5-2

Approved under
 IEC 60747-5-2:1997 + A1:2002
 EN 60747-5-2:2001 + A1:2002
 DIN EN 60747-5-2 (VDE 0884 Teil 2):2003-01
 (Option 060 only)

Insulation Related Specifications (HCPL-2731/2730/0731/0730)

| Parameter | Symbol | 8-Pin DIP (300 Mil) | 50-8 | Units | Conditions |
|---|--------|------------------------|-------|-------|--|
| | | Value | Value | | |
| Minimum External Air Gap (External Clearance) | L(101) | 7.1 | 4.9 | mm | Measured from input terminals to output terminals, shortest distance through air. |
| Minimum External Tracking (External Creepage) | L(102) | 7.4 | 4.8 | mm | Measured from input terminals to output terminals, shortest distance path along body. |
| Minimum Internal Plastic Gap (Internal Clearance) | | 0.08 | 0.08 | mm | Through insulation distance, conductor to conductor, usually the direct distance between the photoemitter and photodetector inside the optocoupler cavity. |
| Tracking Resistance (Comparative Tracking Index) | CTI | 200 | 200 | Volts | DIN IEC 112/ VDE 0303 Part 1 |
| Isolation Group | | IIIa | IIIa | | Material Group DIN VDE 0110 |

Option 300 – surface mount classification is Class A in accordance with CECC 00802.

IEC/EN/DIN EN 60747-5-2 Insulation Related Characteristics

| Description | Symbol | Characteristic | Units |
|--|----------------|----------------|-------------------|
| Installation Classification per DIN VDE 0110/1.89, Table 1 for rated mains voltage ≤ 600 V rms | | I-IV | |
| for rated mains voltage ≤ 1000 V rms | | I-III | |
| Climatic Classification | | 55/100/21 | |
| Pollution Degree (DIN VDE 0110/1.89) | | 2 | |
| Maximum Working Insulation Voltage | VIORM | 1414 | V _{peak} |
| Input to Output Test Voltage, Method b* $V_{PR} = 1.875 \times V_{IORM}$, 100% Production Test with $t_p = 1$ sec, Partial Discharge < 5 pC | VPR | 2652 | V _{peak} |
| Input to Output Test Voltage, Method a* $V_{PR} = 1.5 \times V_{IORM}$, Type and Sample Test, $t_p = 60$ sec, Partial Discharge < 5 pC | VPR | 2121 | V _{peak} |
| Highest Allowable Overvoltage* (Transient Overvoltage, $t_{ini} = 10$ sec) | VIOTM | 8000 | V _{peak} |
| Safety Limiting Values (Maximum values allowed in the event of a failure, also see Figure 11, Thermal Derating curve.) | | | |
| Case Temperature | T_S | 175 | °C |
| Current (Input Current I_P , $P_S = 0$) | $I_{S,INPUT}$ | 400 | mA |
| Output Power | $P_{S,OUTPUT}$ | 700 | mW |
| Insulation Resistance at T_S , $V_{IO} = 500$ V | R_S | $> 10^9$ | Ω |

*Refer to the front of the optocoupler section of the current catalog, under Product Safety Regulations section, IEC/EN/DIN EN 60747-5-2, for a detailed description.

Note: Isolation characteristics are guaranteed only within the safety maximum ratings which must be ensured by protective circuits in application.

Absolute Maximum Ratings (No Derating Required up to 85°C)

| Parameter | Symbol | Min. | Max. | Units |
|---|--------------|---|------|-------|
| Storage Temperature | T_S | -55 | 125 | °C |
| Operating Temperature | T_A | -40 | 85 | °C |
| Average Forward Input Current | $I_{F(AVG)}$ | | 20 | mA |
| Peak Forward Input Current (50% Duty Cycle, 1 ms Pulse Width) | I_{FPK} | | 40 | mA |
| Reverse Input Voltage (Each Channel) | V_R | | 5 | V |
| Input Power Dissipation (Each Channel) | P_I | | 35 | mW |
| Output Current (Each Channel) | I_O | | 60 | mA |
| Supply Voltage and Output Voltage (HCPL-2731, HCPL-0731) (V_{CC} - Pin 8-5, V_O - Pin 7,6-5) -Note 1 | V_{CC} | -0.5 | 18 | V |
| Supply Voltage and Output Voltage (HCPL-2730, HCPL-0730) (V_{CC} - Pin 8-5, V_O - Pin 7,6-5) -Note 1 | V_{CC} | -0.5 | 7 | V |
| Output Power Dissipation (Each Channel) -Note 12 | P_O | | 100 | mW |
| Total Power Dissipation (Each Channel) | P_T | | 135 | mW |
| Lead Solder Temperature (for Through Hole Devices) | | 260°C for 10 sec., 1.6 mm below seating plane | | |
| Reflow Temperature Profile (for SOIC-8 and Option #300) | | See Package Outline Drawings section | | |

Recommended Operating Conditions

| Parameter | Symbol | Min. | Max. | Units |
|--|--------------|------|------|-------|
| Power Supply Voltage (HCPL-2731/HCPL-0731) | V_{CC} | 4.5 | 18 | V |
| Power Supply Voltage (HCPL-2730/HCPL-0730) | V_{CC} | 4.5 | 7 | V |
| Forward Input Current (ON) | $I_{F(ON)}$ | 0.5 | 12 | mA |
| Forward Input Voltage (OFF) | $V_{F(OFF)}$ | 0 | 0.8 | V |
| Operating Temperature | T_A | 0 | 70 | °C |

Electrical Specifications

$0^{\circ}\text{C} \leq T_A \leq 70^{\circ}\text{C}$, $4.5\text{ V} \leq V_{CC} \leq 18\text{ V}$, $0.5\text{ mA} \leq I_{F(\text{ON})} \leq 12\text{ mA}$, $0\text{ V} \leq V_{F(\text{OFF})} \leq 0.8\text{ V}$, unless otherwise specified.
All Typicals at $T_A = 25^{\circ}\text{C}$. (See note 8.)

| Parameter | Sym. | Device | | | | Units | Test Conditions | Fig. | Note |
|--|---------------------------------|-----------------------|------|-------|------|------------------------|--|------|------|
| | | HCPL- 2731 0731 | Min. | Typ.* | Max. | | | | |
| Current Transfer Ratio | CTR | 2731 | 400 | 1800 | 5000 | % | $I_F = 0.5\text{ mA}$ $V_{CC} = 4.5\text{ V}$ $V_O = 0.4\text{ V}$ | 2, 3 | 2 |
| | | 0731 | 500 | 1600 | 2600 | | | | |
| | | 2730/0730 | 300 | 1600 | 2600 | | | | |
| Logic Low Output Voltage | V_{OL} | 2731 | | 0.1 | 0.4 | V | $I_F = 1.6\text{ mA}$, $I_O = 8\text{ mA}$ $V_{CC} = 4.5\text{ V}$ | 1 | |
| | | 0731 | | 0.1 | 0.4 | | | | |
| | | | | 0.2 | 0.4 | | | | |
| | | 2730/0730 | | 0.1 | 0.4 | | | | |
| Logic High Output Current | I_{OH} | 2731/0731 | | 0.05 | 100 | μA | $V_O = V_{CC} = 18\text{ V}$ $I_F = 0\text{ mA}$ | | 2 |
| | | 2730/0731 | | 0.1 | 250 | | | | |
| Logic Low Supply Current | I_{CCL} | 2731/0731 | | 1.2 | 3 | mA | $V_{CC} = 18\text{ V}$ $I_{F1} = I_{F2} = 1.6\text{ mA}$ $V_{O1} = V_{O2} = \text{Open}$ | 5 | |
| | | 2730/0730 | | 0.9 | | | | | |
| Logic High Supply Current | I_{CCH} | 2731/0731 | | 0.005 | 20 | μA | $V_{CC} = 18\text{ V}$ $I_{F1} = I_{F2} = 0\text{ mA}$, $V_{O1} = V_{O2} = \text{Open}$ | 5 | |
| | | 2730/0730 | | 0.004 | | | | | |
| Input Forward Voltage | V_F | | | 1.4 | 1.7 | V | $T_A = 25^{\circ}\text{C}$ $I_F = 1.6\text{ mA}$ | 4 | |
| | | | | | 1.75 | | | | |
| Input Reverse Breakdown Voltage | BV_R | | 5.0 | | | V | $I_R = 10\text{ }\mu\text{A}$, $T_A = 25^{\circ}\text{C}$ | | 2 |
| Temperature Coefficient of Forward Voltage | $\frac{\Delta V_F}{\Delta T_A}$ | | | -1.8 | | mV/ $^{\circ}\text{C}$ | $I_F = 1.6\text{ mA}$ | | |
| Input Capacitance | C_{IN} | | | 60 | | pF | $f = 1\text{ MHz}$, $V_F = 0$ | | 2 |

*All typical values at $T_A = 25^{\circ}\text{C}$ and $V_{CC} = 5\text{ V}$, unless otherwise noted.

Switching Specifications (AC)

Over recommended operating conditions ($T_A = 0^\circ\text{C}$ to 70°C), $V_{CC} = 5\text{ V}$, unless otherwise specified.
(See note 8.)

| Parameter | Sym. | Device HCPL- | Min. | Typ.* | Max. | Units | Test Conditions | Fig. | Note |
|---|------------------|-----------------|------|-------|------|---|--|---------------|------------|
| Propagation Delay Time to Logic Low at Output | t_{PHL} | 2731 | | 25 | 100 | μs | $T_A = 25^\circ\text{C}$ | 6, 7, 8, 9 | 2 |
| | | 0731 | | | | | $I_F = 0.5\text{ mA}$ $R_I = 4.7\text{ k}\Omega$ | | |
| | | 2730 | | 5 | 20 | | $T_A = 25^\circ\text{C}$ | | |
| | | 2731 | | | | | | | |
| | | 0730 0731 | | | | 25 | $I_F = 1.6\text{ mA}, R_I = 2.2\text{ k}\Omega$ | | |
| | | | 0.5 | 2 | 3 | $T_A = 25^\circ\text{C}$ $I_F = 12\text{ mA}, R_I = 270\ \Omega$ | | | |
| Propagation Delay Time to Logic High at Output | t_{PLH} | 2731 | | 10 | 60 | μs | $T_A = 25^\circ\text{C}$ | 7, 8, 9 | 2 |
| | | 0731 | | | | | $I_F = 0.5\text{ mA}, R_I = 4.7\text{ k}\Omega$ | | |
| | | 2730 | | 10 | 35 | | $T_A = 25^\circ\text{C}$ | | |
| | | 2731 | | | | | | | |
| | | 0730 0731 | | | | 50 | $I_F = 1.6\text{ mA}, R_I = 2.2\text{ k}\Omega$ | | |
| | | | 1 | 10 | 15 | $T_A = 25^\circ\text{C}$ $I_F = 12\text{ mA}, R_I = 270\ \Omega$ | | | |
| Common Mode Transient Immunity at Logic High Output | $ CM_H $ | | 1000 | 10000 | | $\text{V}/\mu\text{s}$ | $I_F = 0\text{ mA}, T_A = 25^\circ\text{C},$ $R_I = 2.2\text{ k}\Omega$ $ V_{\text{CM}} = 10\text{ V}_{\text{p-p}}$ | 10 | 2, 6, 7 |
| Common Mode Transient Immunity at Logic Low Level Output | $ CM_L $ | | 1000 | 10000 | | $\text{V}/\mu\text{s}$ | $I_F = 1.6\text{ mA}, T_A = 25^\circ\text{C},$ $R_I = 2.2\text{ k}\Omega$ $ V_{\text{CM}} = 10\text{ V}_{\text{p-p}}$ | | |

*All typical values at $T_A = 25^\circ\text{C}$ and $V_{CC} = 5\text{ V}$, unless otherwise noted.

Package Characteristics

| Parameter | Symbol | Device | | Min. | Typ.* | Max. | Units | Test Conditions | Fig. | Note |
|--|-----------|------------|--------------|-------|-----------|-------|---------------|---|------|------|
| | | HCPL- | | | | | | | | |
| Input-Output Momentary Withstand Voltage** | V_{ISO} | | | 3750 | | | V rms | RH \leq 50%, t = 1 min., $T_A = 25^\circ\text{C}$ | | 4, 9 |
| | | Option 020 | 2730 2731 | 5000 | | 4, 10 | | | | |
| Resistance (Input-Output) | R_{I-O} | | | | 10^{12} | | Ω | $V_{I-O} = 500\text{ VDC}$ RH \leq 45% | | 4 |
| Capacitance (Input-Output) | C_{I-O} | | | | 0.6 | | pF | f = 1 MHz | | 11 |
| Input-Input Insulation Leakage Current | I_{I-I} | | | 0.005 | | | μA | RH \leq 45% $V_{I-I} = 500\text{ VDC}$ | | 5 |
| Input-Input Insulation Leakage Current | R_{I-I} | | | | 10^{11} | | Ω | | | 5 |
| Capacitance (Input-Input) | C_{I-I} | 2730 | | | 0.03 | | pF | | | 5 |
| | | 2731 | | | | | | | | |
| | | 0730 | | | 0.25 | | | | | |
| | | 0731 | | | | | | | | |

*All Typical values at $T_A = 25^\circ\text{C}$ unless otherwise noted.

**The Input-Output Momentary Withstand Voltage is a dielectric voltage rating that should not be interpreted as an input-output continuous voltage rating. For the continuous voltage rating refer to the IEC/EN/DIN EN 60747-5-2 Insulation Characteristics Table (if applicable), your equipment level safety specification or Avago Application Note 1074 entitled "Optocoupler Input-Output Endurance Voltage."

Notes:

- Pin 5 should be the most negative voltage at the detector side.
- Each channel.
- DC CURRENT TRANSFER RATIO (CTR) is defined as the ratio of output collector current, I_{O1} , to the forward LED input current, I_F , times 100%.
- Device considered a two-terminal device: pins 1, 2, 3, and 4 shorted together, and pins 5, 6, 7, and 8 shorted together.
- Measured between pins 1 and 2 shorted together, and pins 3 and 4 shorted together.
- Common mode transient immunity in a Logic High level is the maximum tolerable (positive) dV_{CM}/dt of the common mode pulse, V_{CM} , to assure that the output will remain in a Logic High state (i.e., $V_O > 2.0\text{ V}$). Common mode transient immunity in a Logic Low level is the maximum tolerable (negative) dV_{CM}/dt of the common mode pulse, V_{CM} , to assure that the output will remain in a Logic Low state (i.e., $V_O < 0.8\text{ V}$).
- In applications where dV/dt may exceed $50,000\text{ V}/\mu\text{s}$ (such as static discharge) a series resistor, R_{CC} , should be included to protect the detector IC from destructively high surge currents. The recommended value is $R_{CC} = 110\ \Omega$.
- Use of a $0.1\ \mu\text{F}$ bypass capacitor connected between pins 5 and 8 adjacent to the device is recommended.
- In accordance with UL 1577, each optocoupler is proof tested by applying an insulation test voltage $> 4500\text{ V rms}$ for 1 second (leakage detection current limit, $I_{I-O} < 5\ \mu\text{A}$).
- In accordance with UL 1577, each optocoupler is proof tested by applying an insulation test voltage $> 6000\text{ V rms}$ for 1 second (leakage detection current limit, $I_{I-O} < 5\ \mu\text{A}$).
- Measured between the LED anode and cathode shorted together and pins 5 through 8 shorted together.
- Derate linearly above 65°C free-air temperature at a rate of $2.3\text{ mW}/^\circ\text{C}$ for the SO-8 package.



Figure 1. DC transfer characteristics.



Figure 2. Current transfer ratio vs. forward current.



Figure 3. Output current vs. input diode forward current.

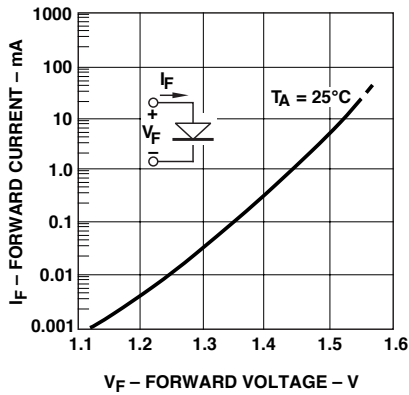


Figure 4. Input diode forward current vs. forward voltage.



Figure 5. Supply current per channel vs. input diode forward current.



Figure 6. Propagation delay to logic low vs. pulse period.



Figure 7. Propagation delay vs. temperature.



Figure 8. Propagation delay vs. input diode forward current.

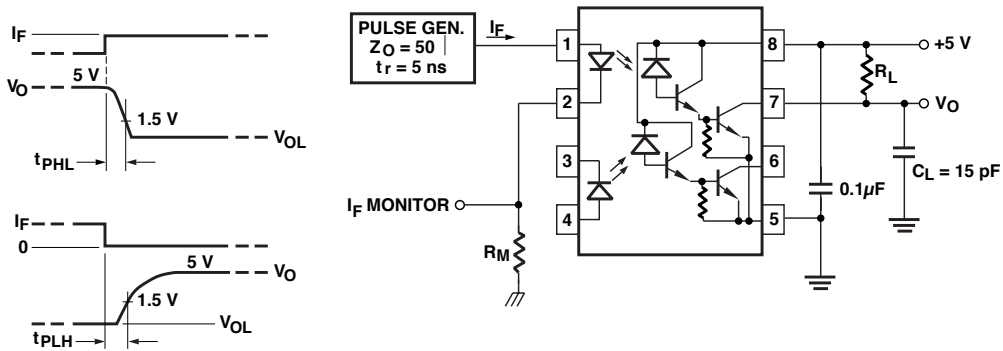


Figure 9. Switching test circuit.

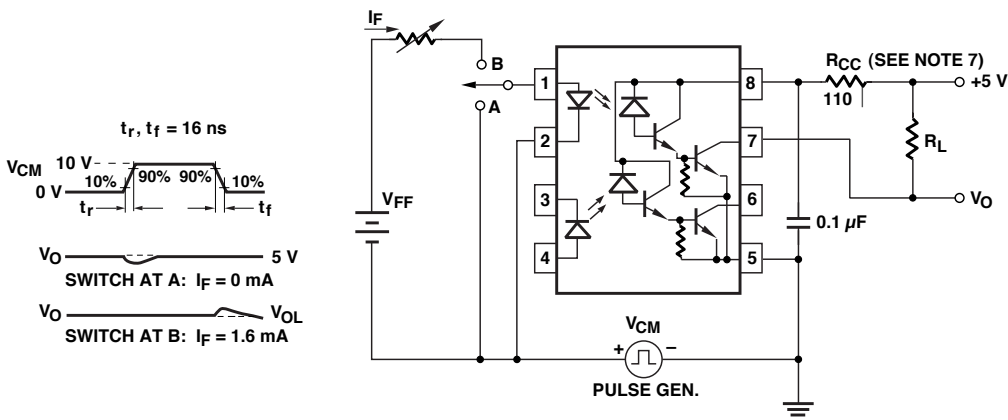


Figure 10. Test circuit for transient immunity and typical waveforms.

For product information and a complete list of distributors, please go to our website: www.avagotech.com

Avago, Avago Technologies, and the A logo are trademarks of Avago Technologies Limited in the United States and other countries. Data subject to change. Copyright © 2007 Avago Technologies Limited. All rights reserved. Obsoletes 5989-2105EN AV01-0546EN July 17, 2007



Компания «Life Electronics» занимается поставками электронных компонентов импортного и отечественного производства от производителей и со складов крупных дистрибьюторов Европы, Америки и Азии.

С конца 2013 года компания активно расширяет линейку поставок компонентов по направлению коаксиальный кабель, кварцевые генераторы и конденсаторы (керамические, пленочные, электролитические), за счёт заключения дистрибьюторских договоров

Мы предлагаем:

- Конкурентоспособные цены и скидки постоянным клиентам.
- Специальные условия для постоянных клиентов.
- Подбор аналогов.
- Поставку компонентов в любых объемах, удовлетворяющих вашим потребностям.
- Приемлемые сроки поставки, возможна ускоренная поставка.
- Доставку товара в любую точку России и стран СНГ.
- Комплексную поставку.
- Работу по проектам и поставку образцов.
- Формирование склада под заказчика.
- Сертификаты соответствия на поставляемую продукцию (по желанию клиента).
- Тестирование поставляемой продукции.
- Поставку компонентов, требующих военную и космическую приемку.
- Входной контроль качества.
- Наличие сертификата ISO.

В составе нашей компании организован Конструкторский отдел, призванный помогать разработчикам, и инженерам.

Конструкторский отдел помогает осуществить:

- Регистрацию проекта у производителя компонентов.
- Техническую поддержку проекта.
- Защиту от снятия компонента с производства.
- Оценку стоимости проекта по компонентам.
- Изготовление тестовой платы монтаж и пусконаладочные работы.



Тел: +7 (812) 336 43 04 (многоканальный)

Email: org@lifeelectronics.ru