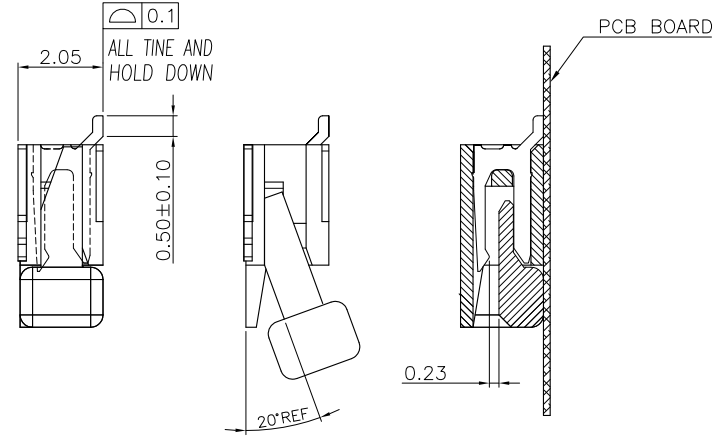
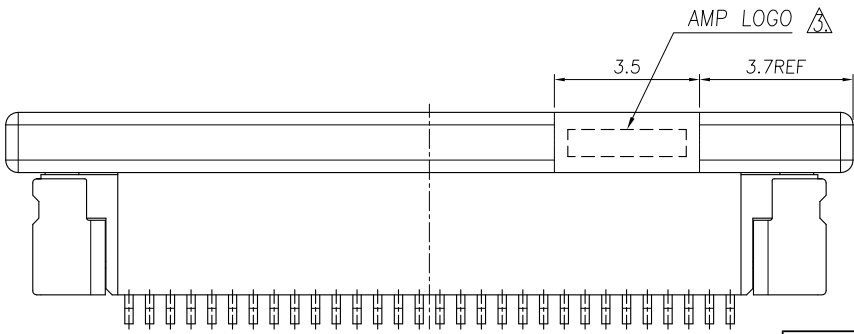
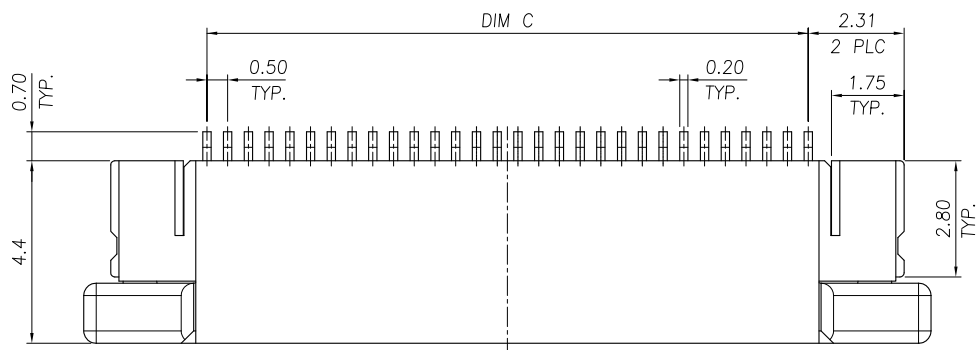


| LOC | DIST | REVISIONS | | | |
|-----|------|-------------|-------------------------|---------|-------|
| P | LTR | DESCRIPTION | DATE | DWN | APVD |
| DW | - | C | REVISED (ECR-13-003844) | 22APR13 | JL WK |



| 24.50 | 25.60 | 30.43 | 50 | 5-1734839-0 |
|------------|-------|-------|------|-------------|
| 24.00 | 25.10 | 29.93 | 49 | 4-1734839-9 |
| 23.50 | 24.60 | 29.43 | 48 | 4-1734839-8 |
| 23.00 | 24.10 | 28.93 | 47 | 4-1734839-7 |
| 22.50 | 23.60 | 28.43 | 46 | 4-1734839-6 |
| 22.00 | 23.10 | 27.63 | 45 | 4-1734839-5 |
| 21.50 | 22.60 | 27.43 | 44 | 4-1734839-4 |
| 21.00 | 22.10 | 26.93 | 43 | 4-1734839-3 |
| 20.50 | 21.60 | 26.43 | 42 | 4-1734839-2 |
| 20.00 | 21.10 | 25.93 | 41 | 4-1734839-1 |
| 19.50 | 20.60 | 25.43 | 40 | 4-1734839-0 |
| 19.00 | 20.10 | 24.93 | 39 | 3-1734839-9 |
| 18.50 | 19.60 | 24.43 | 38 | 3-1734839-8 |
| 18.00 | 19.10 | 23.93 | 37 | 3-1734839-7 |
| 17.50 | 18.60 | 23.43 | 36 | 3-1734839-6 |
| 17.00 | 18.10 | 22.93 | 35 | 3-1734839-5 |
| 16.50 | 17.60 | 22.43 | 34 | 3-1734839-4 |
| 16.00 | 17.10 | 21.93 | 33 | 3-1734839-3 |
| 15.50 | 16.60 | 21.43 | 32 | 3-1734839-2 |
| 15.00 | 16.10 | 20.93 | 31 | 3-1734839-1 |
| 14.50 | 15.60 | 20.43 | 30 | 3-1734839-0 |
| 14.00 | 15.10 | 19.93 | 29 | 2-1734839-9 |
| 13.50 | 14.60 | 19.43 | 28 | 2-1734839-8 |
| 13.00 | 14.10 | 18.93 | 27 | 2-1734839-7 |
| 12.50 | 13.60 | 18.43 | 26 | 2-1734839-6 |
| 12.00 | 13.10 | 17.93 | 25 | 2-1734839-5 |
| 11.50 | 12.60 | 17.43 | 24 | 2-1734839-4 |
| 11.00 | 12.10 | 16.93 | 23 | 2-1734839-3 |
| 10.50 | 11.60 | 16.43 | 22 | 2-1734839-2 |
| 10.00 | 11.10 | 15.93 | 21 | 2-1734839-1 |
| 9.50 | 10.60 | 15.43 | 20 | 2-1734839-0 |
| 9.00 | 10.10 | 14.93 | 19 | 1-1734839-9 |
| 8.50 | 9.60 | 14.43 | 18 | 1-1734839-8 |
| 8.00 | 9.10 | 13.93 | 17 | 1-1734839-7 |
| 7.50 | 8.60 | 13.43 | 16 | 1-1734839-6 |
| 7.00 | 8.10 | 12.93 | 15 | 1-1734839-5 |
| 6.50 | 7.60 | 12.43 | 14 | 1-1734839-4 |
| 6.00 | 7.10 | 11.93 | 13 | 1-1734839-3 |
| 5.50 | 6.60 | 11.43 | 12 | 1-1734839-2 |
| 5.00 | 6.10 | 10.93 | 11 | 1-1734839-1 |
| 4.50 | 5.60 | 10.43 | 10 | 1-1734839-0 |
| 4.00 | 5.10 | 9.93 | 09 | 0-1734839-9 |
| 3.50 | 4.60 | 9.43 | 08 | 0-1734839-8 |
| 3.00 | 4.10 | 8.93 | 07 | 0-1734839-7 |
| 2.50 | 3.60 | 8.43 | 06 | 0-1734839-6 |
| 2.00 | 3.10 | 7.93 | 05 | 0-1734839-5 |
| C | B | A | POS. | PART NUMBER |
| DIMENSIONS | | | | |

NOTE:
 1. MATERIAL:
 HOUSING: HIGH TEMP. THERMOPLASTIC, UL 94V-0, COLOR: NATURE.
 ACTUATOR: THERMOPLASTIC, UL 94 V-0, COLOR: IVORY.
 HOLD DOWN: PHOSPHOR BRONZE.
 CONTACT: PHOSPHOR BRONZE.
 2. FINISH:
 CONTACT: GOLD FLASH OVER ALL
 50" MIN. NICKEL UNDERPLATED.
 HOLD DOWN: 100u" MIN. TIN PLATING ON SOLDER AREA,
 50u" MIN. NICKEL UNDERPLATED ALL OVER.
 ⚠ WITHOUT AMP LOGO FOR 12 POSITION UNDER.

| | | | |
|--|--|---------------------------|--|
| THIS DRAWING IS A CONTROLLED DOCUMENT. | | DWN J. LAI 15APR2009 | STE TE Connectivity |
| | | CHK S. CHIEN 15APR2009 | |
| DIMENSIONS: MM | | APVD W. KODAMA 15APR2009 | NAME |
| TOLERANCES UNLESS OTHERWISE SPECIFIED: | | PRODUCT SPEC | FPC CONNECTOR, 0.5mm PITCH, TOP CONTACT, SMT TYPE. |
| | | QUALIFICATION TEST REPORT | |
| 0 PLC ± 0.1 1 PLC ± 0.1 2 PLC ± 0.1 3 PLC ± 0.1 4 PLC ± ANGLES ± 1° | | 501-57598 | SIZE CAGE CODE DRAWING NO RESTRICTED TO |
| MATERIAL SEE NOTE | | WEIGHT - GRAMS | A3 00779 C=1734839 |
| FINISH SEE NOTE | | CUSTOMER DRAWING | |
| | | SCALE - | SHEET 1 OF 3 REV C |

THIS DRAWING IS UNPUBLISHED.

RELEASED FOR PUBLICATION

AUG ,2006.

© COPYRIGHT BY TYCO ELECTRONICS CORPORATION.

ALL RIGHTS RESERVED.

LOC DW

DIST

REVISIONS

P

LTR

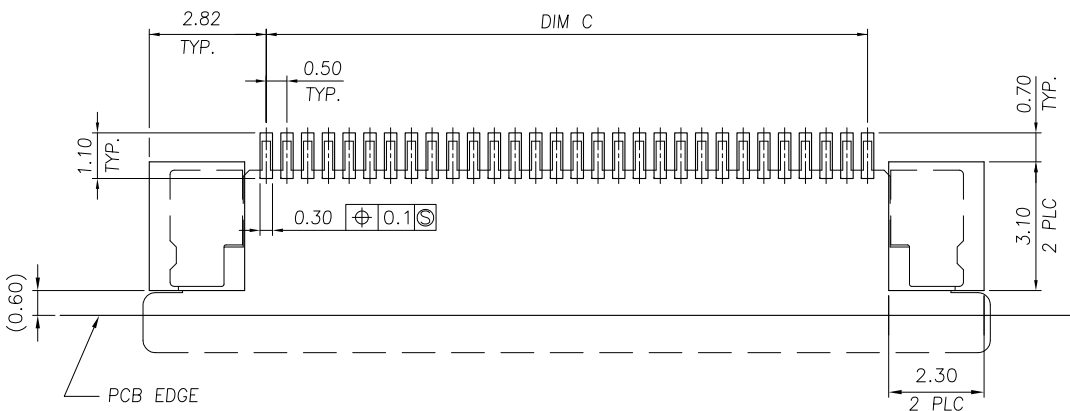
DESCRIPTION

DATE

DWN

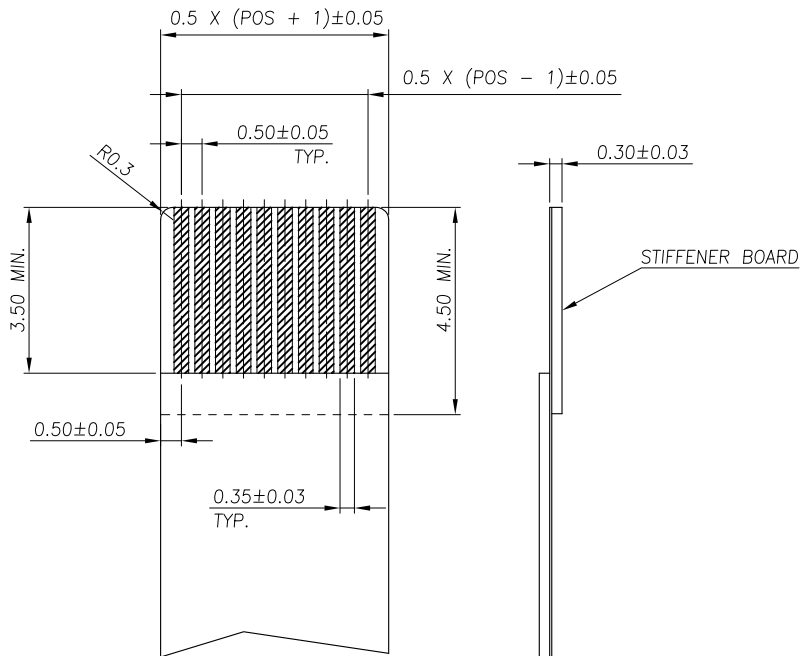
APVD

SEE SHEET 1.



RECOMMENDED PCB DIMENSIONS DIAGRAM

TOLERANCE: ±0.05

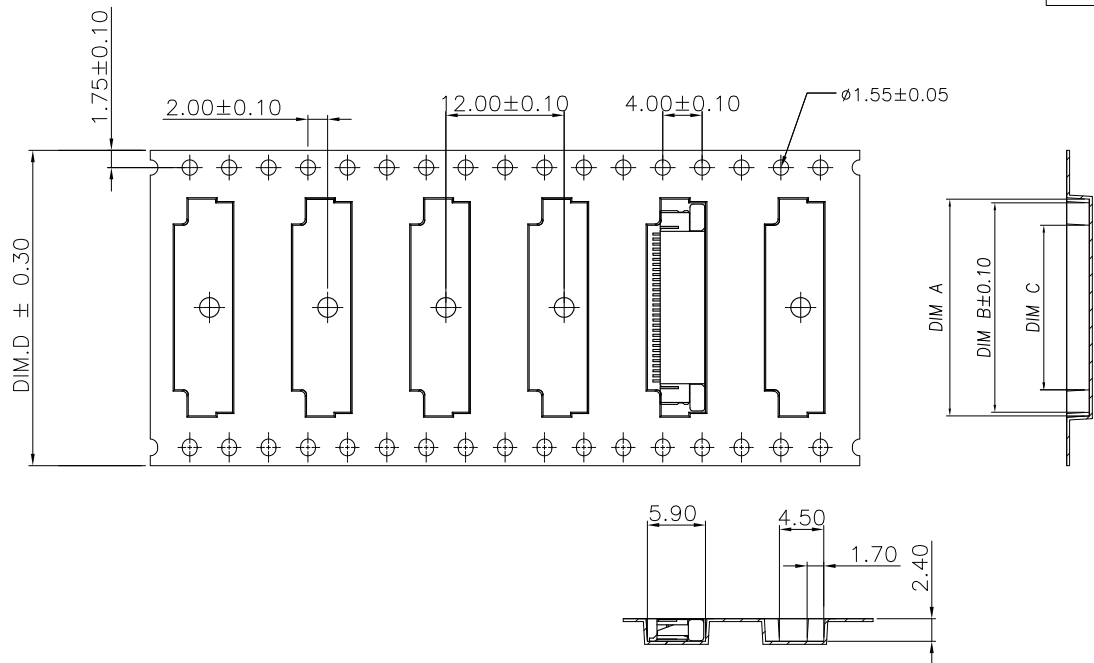


RECOMMENDED FPC DIMENSIONS DIAGRAM

| | | | | | |
|--|--|------------------|--|--|--|
| THIS DRAWING IS A CONTROLLED DOCUMENT. | | DWN | | STE TE Connectivity | |
| DIMENSIONS: MM | | CHK | | | |
| TOLERANCES UNLESS OTHERWISE SPECIFIED: | | APVD | | NAME | |
| 0 PLC ± - | | PRODUCT SPEC | | FPC CONNECTOR, 0.5mm PITCH, TOP CONTACT, SMT TYPE. | |
| 1 PLC ± - | | APPLICATION SPEC | | SIZE CAGE CODE DRAWING NO RESTRICTED TO | |
| 2 PLC ± - | | WEIGHT | | A3 00779 C=1734839 | |
| 3 PLC ± - | | CUSTOMER DRAWING | | SCALE SHEET 2 OF 3 REV C | |
| 4 PLC ± - | | | | | |
| ANGLES ± - | | | | | |
| MATERIAL | | | | | |
| FINISH | | | | | |

THIS DRAWING IS UNPUBLISHED. RELEASED FOR PUBLICATION AUG, 2006.
 © COPYRIGHT BY TYCO ELECTRONICS CORPORATION. ALL RIGHTS RESERVED.

| LOC | | DIST | | REVISIONS | | | |
|--------------|-----|-------------|------|-----------|------|--|--|
| P | LTR | DESCRIPTION | DATE | DWN | APVD | | |
| SEE SHEET 1. | | | | | | | |



NOTE :

1. TAPE REEL:
DIAMETER: 13", THICKNESS : 0.35±0.05mm.
2. CARTON:
SIZE: 350mm(L)X 350mm(W)X 340mm(H).
3. WEIGHT:
NET WEIGHT: 7.5kg
GROSS WEIGHT: 13.4kg

| APQ (PCS/CARTON) | PPQ (PCS/REEL) | D | C | B | A | POS. | PART NUMBER |
|------------------|----------------|-------|-------|----|---|-------------|-------------|
| 44.00 | 26.70 | 30.55 | 31.50 | 50 | 5 | 5-1734839-0 | |
| 44.00 | 26.20 | 30.05 | 31.00 | 49 | 4 | 4-1734839-9 | |
| 44.00 | 25.70 | 29.55 | 30.50 | 48 | 4 | 4-1734839-8 | |
| 44.00 | 25.20 | 29.05 | 30.00 | 47 | 4 | 4-1734839-7 | |
| 44.00 | 24.70 | 28.55 | 29.50 | 46 | 4 | 4-1734839-6 | |
| 44.00 | 24.20 | 28.05 | 29.00 | 45 | 4 | 4-1734839-5 | |
| 44.00 | 23.70 | 27.55 | 28.50 | 44 | 4 | 4-1734839-4 | |
| 44.00 | 23.20 | 27.05 | 28.00 | 43 | 4 | 4-1734839-3 | |
| 44.00 | 22.70 | 26.55 | 27.50 | 42 | 4 | 4-1734839-2 | |
| 44.00 | 22.20 | 26.05 | 27.00 | 41 | 4 | 4-1734839-1 | |
| 44.00 | 21.70 | 25.55 | 26.50 | 40 | 4 | 4-1734839-0 | |
| 44.00 | 21.20 | 25.05 | 26.00 | 39 | 3 | 3-1734839-9 | |
| 44.00 | 20.70 | 24.55 | 25.50 | 38 | 3 | 3-1734839-8 | |
| 44.00 | 20.20 | 24.05 | 25.00 | 37 | 3 | 3-1734839-7 | |
| 44.00 | 19.70 | 23.55 | 24.50 | 36 | 3 | 3-1734839-6 | |
| 44.00 | 19.20 | 23.05 | 24.00 | 35 | 3 | 3-1734839-5 | |
| 44.00 | 18.70 | 22.55 | 23.50 | 34 | 3 | 3-1734839-4 | |
| 44.00 | 18.20 | 22.05 | 23.00 | 33 | 3 | 3-1734839-3 | |
| 44.00 | 17.70 | 21.55 | 22.50 | 32 | 3 | 3-1734839-2 | |
| 44.00 | 17.20 | 21.05 | 22.00 | 31 | 3 | 3-1734839-1 | |
| 32.00 | 16.70 | 20.55 | 21.50 | 30 | 3 | 3-1734839-0 | |
| 32.00 | 16.20 | 20.05 | 21.00 | 29 | 2 | 2-1734839-9 | |
| 32.00 | 15.70 | 19.55 | 20.50 | 28 | 2 | 2-1734839-8 | |
| 32.00 | 15.20 | 19.05 | 20.00 | 27 | 2 | 2-1734839-7 | |
| 32.00 | 14.70 | 18.55 | 19.50 | 26 | 2 | 2-1734839-6 | |
| 32.00 | 14.20 | 18.05 | 19.00 | 25 | 2 | 2-1734839-5 | |
| 32.00 | 13.70 | 17.55 | 18.50 | 24 | 2 | 2-1734839-4 | |
| 32.00 | 13.20 | 17.05 | 18.00 | 23 | 2 | 2-1734839-3 | |
| 32.00 | 12.70 | 16.55 | 17.50 | 22 | 2 | 2-1734839-2 | |
| 32.00 | 12.20 | 16.05 | 17.00 | 21 | 2 | 2-1734839-1 | |
| 24.00 | 11.70 | 15.55 | 16.50 | 20 | 2 | 2-1734839-0 | |
| 24.00 | 11.20 | 15.05 | 16.00 | 19 | 1 | 1-1734839-9 | |
| 24.00 | 10.70 | 14.55 | 15.50 | 18 | 1 | 1-1734839-8 | |
| 24.00 | 10.20 | 14.05 | 15.00 | 17 | 1 | 1-1734839-7 | |
| 24.00 | 9.70 | 13.55 | 14.50 | 16 | 1 | 1-1734839-6 | |
| 24.00 | 9.20 | 13.05 | 14.00 | 15 | 1 | 1-1734839-5 | |
| 24.00 | 8.70 | 12.55 | 13.50 | 14 | 1 | 1-1734839-4 | |
| 24.00 | 8.20 | 12.05 | 13.00 | 13 | 1 | 1-1734839-3 | |
| 24.00 | 7.70 | 11.55 | 12.50 | 12 | 1 | 1-1734839-2 | |
| 24.00 | 7.20 | 11.05 | 12.00 | 11 | 1 | 1-1734839-1 | |
| 24.00 | 6.70 | 10.55 | 11.50 | 10 | 1 | 1-1734839-0 | |
| 24.00 | 6.20 | 10.05 | 11.00 | 09 | 0 | 0-1734839-9 | |
| 24.00 | 5.70 | 9.55 | 10.50 | 08 | 0 | 0-1734839-8 | |
| 24.00 | 5.20 | 9.05 | 10.00 | 07 | 0 | 0-1734839-7 | |
| 24.00 | 4.70 | 8.55 | 9.50 | 06 | 0 | 0-1734839-6 | |
| 24.00 | 4.20 | 8.05 | 9.00 | 05 | 0 | 0-1734839-5 | |

THIS DRAWING IS A CONTROLLED DOCUMENT.

| | | | |
|----------------|--|------------------|---|
| DIMENSIONS: MM | TOLERANCES UNLESS OTHERWISE SPECIFIED: | DWN | TE Connectivity FPC CONNECTOR, 0.5mm PITCH, TOP CONTACT, SMT TYPE. |
| | 0 PLC ± - | CHK | |
| | 1 PLC ± - | APVD | |
| | 2 PLC ± - | PRODUCT SPEC | |
| | 3 PLC ± - | APPLICATION SPEC | NAME |
| | 4 PLC ± - | WEIGHT | SIZE CAGE CODE DRAWING NO RESTRICTED TO |
| MATERIAL | FINISH | CUSTOMER DRAWING | A3 00779 C=1734839 |
| | | SCALE | SHEET 3 OF 3 REV C |

Компания «Life Electronics» занимается поставками электронных компонентов импортного и отечественного производства от производителей и со складов крупных дистрибьюторов Европы, Америки и Азии.

С конца 2013 года компания активно расширяет линейку поставок компонентов по направлению коаксиальный кабель, кварцевые генераторы и конденсаторы (керамические, пленочные, электролитические), за счёт заключения дистрибьюторских договоров

Мы предлагаем:

- Конкурентоспособные цены и скидки постоянным клиентам.
- Специальные условия для постоянных клиентов.
- Подбор аналогов.
- Поставку компонентов в любых объемах, удовлетворяющих вашим потребностям.
- Приемлемые сроки поставки, возможна ускоренная поставка.
- Доставку товара в любую точку России и стран СНГ.
- Комплексную поставку.
- Работу по проектам и поставку образцов.
- Формирование склада под заказчика.
- Сертификаты соответствия на поставляемую продукцию (по желанию клиента).
- Тестирование поставляемой продукции.
- Поставку компонентов, требующих военную и космическую приемку.
- Входной контроль качества.
- Наличие сертификата ISO.

В составе нашей компании организован Конструкторский отдел, призванный помогать разработчикам, и инженерам.

Конструкторский отдел помогает осуществить:

- Регистрацию проекта у производителя компонентов.
- Техническую поддержку проекта.
- Защиту от снятия компонента с производства.
- Оценку стоимости проекта по компонентам.
- Изготовление тестовой платы монтаж и пусконаладочные работы.



Тел: +7 (812) 336 43 04 (многоканальный)

Email: org@lifeelectronics.ru