



Website: www.displaytech.com.hk

LCD Module

Product Specification

Product: INT057ATFT
5.7" Integrated TFT Display Module
(640RGBx480DOTS)

Contents in this document are subject to change without notice. No part of this document may be reproduced or transmitted in any form or by any means, electronic or mechanical, for any purpose, without the express written permission of Displaytech Ltd.

January 3, 2013.

1. REVISION RECORD

VERSION	CHANGES	DATE
1.0	Initial revision	15 November 2011
2.0	Change pin#38 to +5.0V at page 5 & 7.	January 2, 2013
2.1	Added voltage and current details for pin#38 at page 8	January 3, 2013

Table of Content

1. REVISION RECORD.....	1
2. Introduction	3
3. Features	3
4. General Specifications	4
5. Mechanical Drawing.....	5
6. Interface Description	7
7. Absolute Maximum Ratings.....	8
8. Electrical Characteristics	8
9. Display Controller /Power Supply Timing	8
10. Backlight specification.....	9
11. Optical Characteristics	9
12. Safety Precaution	12

2. Introduction

INT057ATFT is integrated display module based upon a TFT display with a 480 x 640 RGB resolution. The TFT module is mounted on a PCB on which is mounted a Solomon SSD1961 controller with integrated PWM driving circuit for the LED backlight. The TFT module is automatically initialised upon power up by an on-board controller circuit.

3. Features

- 8080/6800 MCU Interface (1)
- Built-in 675kbyte (5,529,600bit) frame buffer. Support up to 640 x 480 at 18bpp display
- Deep sleep mode for power saving
- Screen display rotation
- Display mirroring
- Programmable contrast and saturation control
- Auto initialisation (2)
- Embedded PWM control and LED driving circuit for backlight

Remarks:

- (1) MCU Interface is selected by soldering option as below.
 - **8080 interface** (Default setting): R4 is with 0 ohm resistor / R19 is opened.
 - **6800 interface** (By request): R19 is with 0 ohm resistor / R4 is opened.
 - 8/16/18-bit MCU interface are available.
- (2) “Auto Initialisation” takes around half second to complete, customer is suggested to add an one second delay at the beginning of their program.

4. General Specifications

Item	Specification	Unit
LCD mode	Transmissive	---
Resolution	640(RGB)	Line
	480	Line
Diagonal Size	5.7	Inch
Overall Size	164.00	mm
	104.60	mm
Active area	115.20	mm
	86.40	mm
Optimum Viewing Direction	6 o'clock	---
Gray Scale Inversion Direction	12 o'clock	---
Controller IC	Solomon SSD1961	---
Interface type	8080/6800 with 8/16/18 Data Bus Width (1)	---
Colours	262K	---
Operation temperature range	-30~85	°C
Storage temperature range	-30~85	°C

Remarks:

- (1) MCU Interface is selected by soldering option as below.
 - **8080 interface** (Default setting): R4 is with 0 ohm resistor / R19 is opened.
 - **6800 interface** (By request): R19 is with 0 ohm resistor / R4 is opened.
 - 8/16/18-bit MCU interface are available.
- (2) Color tune may be changed slightly by temperature and driving voltage.
- (3) RoHS compliant.

Component Life Cycle

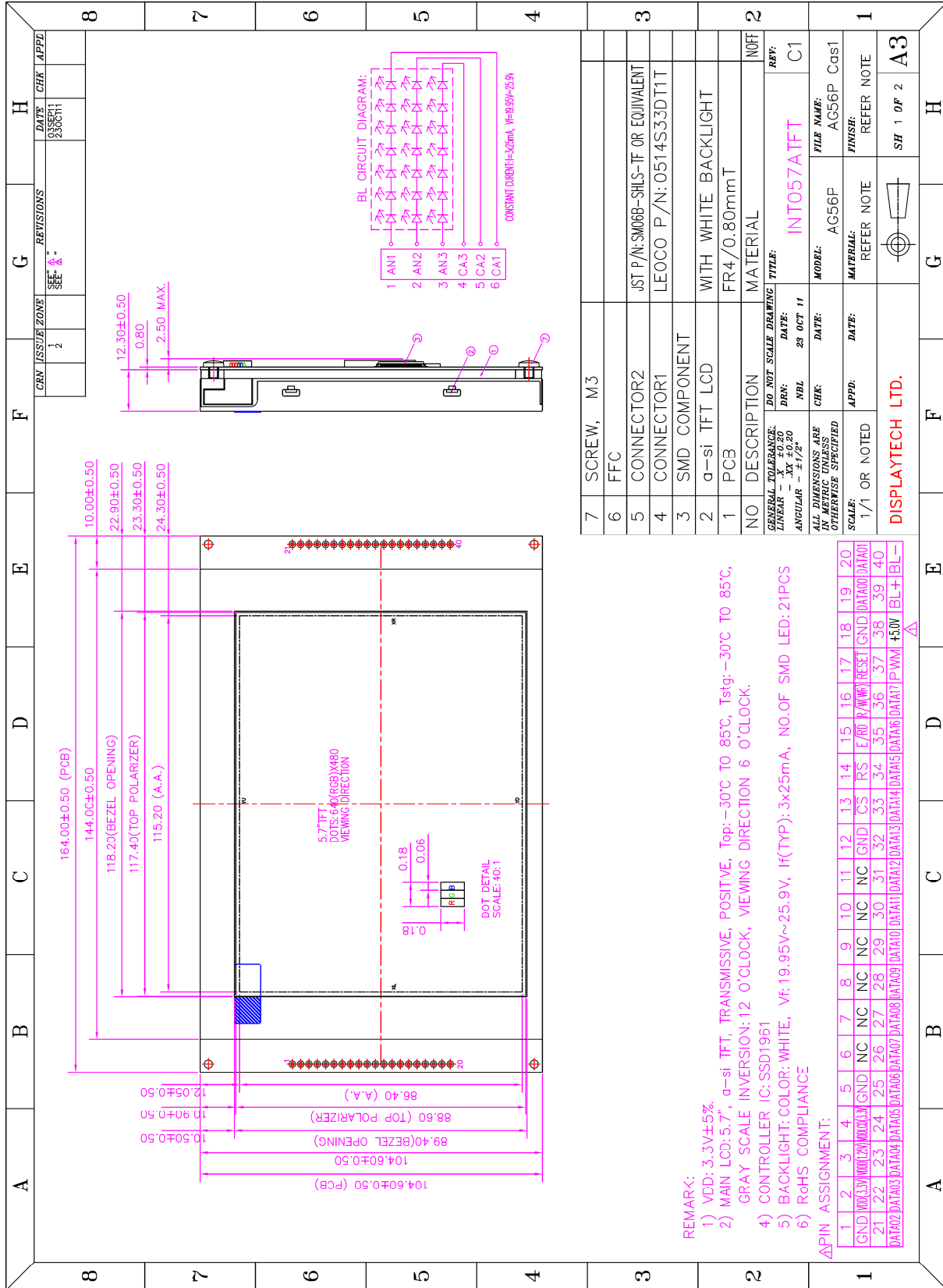
- 1) Storage Life: min. 1 Year
- 2) Operation Life (*1): min. 43 x 10³ h (24hr/day x 7days/week x 52weeks/year x 5years)
(Not include backlight)
- 3) Storage and Operation Life Times are defined for a temperature of +25°C

Notes:

- *1. Operation life ends when one of the listed faults occurs:
- The on/off response-times reach 1.5 times of the max. value specified for a new display
 - The contrast is reduced to 0.5 of the original contrast value
 - Loss of function
 - The number of cosmetic defects exceeds the maximum defined

5. Mechanical Drawing

- INT057ATFT

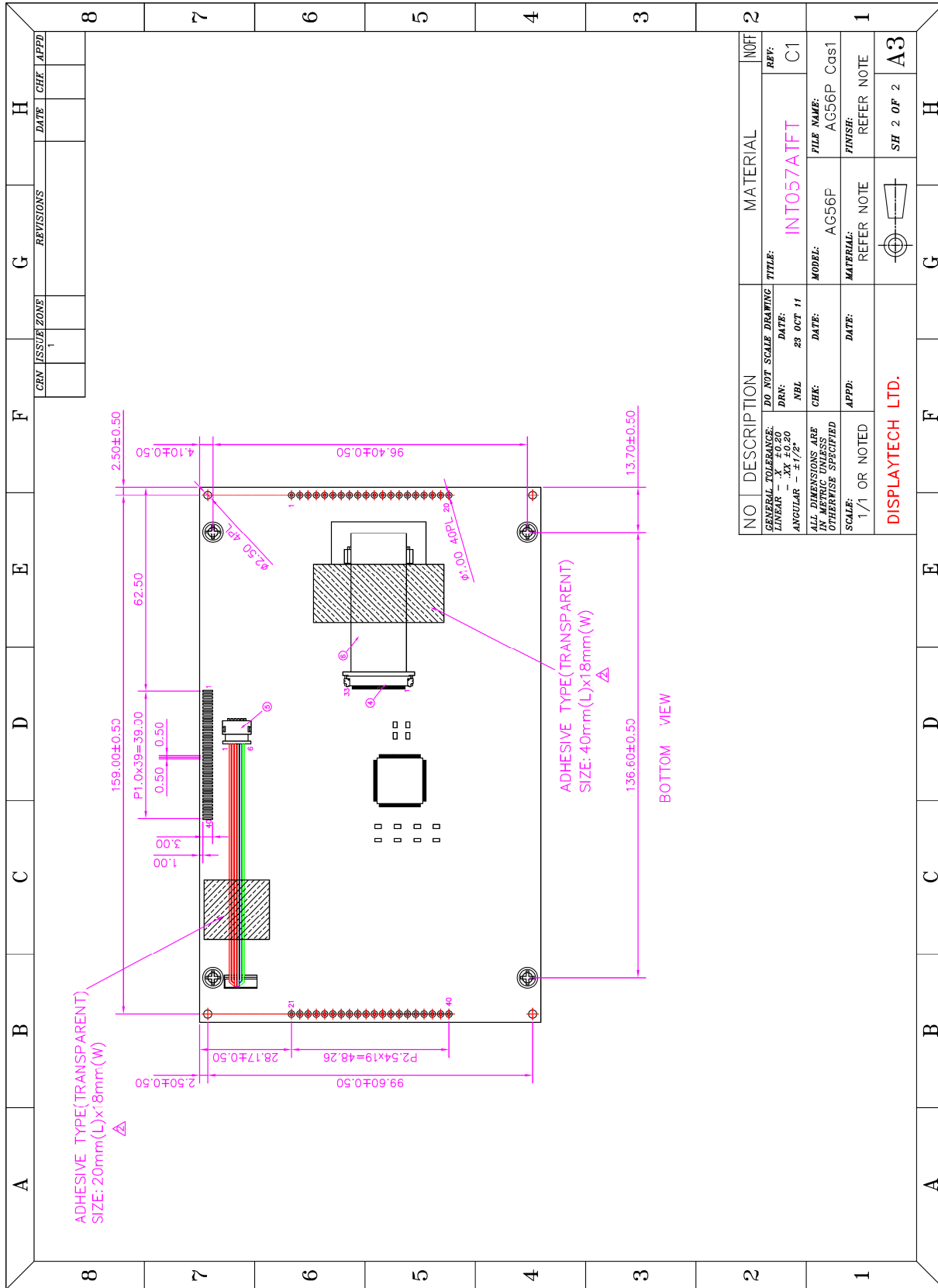


REMARK<

- VDD: 3.3V±5%.
- MAIN LCD: 5.7", α-si TFT, TRANSMISSIVE, POSITIVE, Top: -30°C TO 85°C, Istg: -30°C TO 85°C, GRAY SCALE INVERSION: 12 O'CLOCK, VIEWING DIRECTION 6 O'CLOCK.
- CONTROLLER IC: SSD1961
- BACKLIGHT: COLOR: WHITE, Vf: 19.95V~25.9V, If(TYP): 3x25mA, NO.OF SMD LED: 21PCS
- RoHS COMPLIANCE

ΔPIN ASSIGNMENT:

1	2	3	4	5	6	7	8	9	10	11	12	13	14	15	16	17	18	19	20
GND	NC	DATA0	DATA1	DATA2	DATA3	DATA4	DATA5	DATA6	DATA7	DATA8	DATA9	DATA10	DATA11	DATA12	DATA13	DATA14	DATA15	DATA16	DATA17
GND	NC	NC	NC	NC	NC	NC	NC	NC	NC	NC	NC	NC	NC	NC	NC	NC	NC	NC	NC
DATA0	DATA1	DATA2	DATA3	DATA4	DATA5	DATA6	DATA7	DATA8	DATA9	DATA10	DATA11	DATA12	DATA13	DATA14	DATA15	DATA16	DATA17	DATA18	DATA19
DATA0	DATA1	DATA2	DATA3	DATA4	DATA5	DATA6	DATA7	DATA8	DATA9	DATA10	DATA11	DATA12	DATA13	DATA14	DATA15	DATA16	DATA17	DATA18	DATA19
DATA0	DATA1	DATA2	DATA3	DATA4	DATA5	DATA6	DATA7	DATA8	DATA9	DATA10	DATA11	DATA12	DATA13	DATA14	DATA15	DATA16	DATA17	DATA18	DATA19
DATA0	DATA1	DATA2	DATA3	DATA4	DATA5	DATA6	DATA7	DATA8	DATA9	DATA10	DATA11	DATA12	DATA13	DATA14	DATA15	DATA16	DATA17	DATA18	DATA19
DATA0	DATA1	DATA2	DATA3	DATA4	DATA5	DATA6	DATA7	DATA8	DATA9	DATA10	DATA11	DATA12	DATA13	DATA14	DATA15	DATA16	DATA17	DATA18	DATA19
DATA0	DATA1	DATA2	DATA3	DATA4	DATA5	DATA6	DATA7	DATA8	DATA9	DATA10	DATA11	DATA12	DATA13	DATA14	DATA15	DATA16	DATA17	DATA18	DATA19
DATA0	DATA1	DATA2	DATA3	DATA4	DATA5	DATA6	DATA7	DATA8	DATA9	DATA10	DATA11	DATA12	DATA13	DATA14	DATA15	DATA16	DATA17	DATA18	DATA19



6. Interface Description

Pin no	Symbol	I/O	Description
1	GND	---	Power ground 0V
2	VDDIO	---	Power supply for digital I/O pads
3	VDDD	---	Power supply for internal digital circuit
4	VDDLCD	---	Power supply for LCD interface related pads
5	GND	---	Power ground 0V
6	NC	---	No connection
7	NC	---	No connection
8	NC	---	No connection
9	NC	---	No connection
10	NC	---	No connection
11	NC	---	No connection
12	GND	---	Power ground 0V
13	/CS	I	Chip select (for Controller SSD1961)
14	/RS	I	Data/Command select
15	E(/RD)	I	6800 mode: E (enable signal) 8080 mode: /RD (read strobe signal)
16	R/W(/WR)	I	6800 mode: R/W 0: Write cycle 1: Read cycle 8080 mode: /WR (write strobe signal)
17	/RESET	I	Master synchronize reset
18	GND	---	Power ground 0V
19 36	DATA00 DATA17	I/O	Data bus. Pins not used should be floating
37	NC (PWM)	---	No connection
38	+5.0V	I	Power supply for backlight
39	NC (BL+)	---	No connection
40	NC (BL-)	---	No connection

7. Absolute Maximum Ratings

(GND=VSS=0V; Ta=25°C)

Item	Symbol	Min.	Max.	Unit
I/O power supply	VDDIO	-0.5	4.6	V
Digital Core power supply	VDDD	-0.5	1.8	V
LCD Interface power supply	VDDLCD	-0.5	4.6	V
Input Voltage	VIN	-0.5	4.6	V
Output Voltage	VOUT	-0.5	4.6	V
Operating Temperature	TOP	-20	+70	°C
Storage Temperature	TST	-30	+80	°C

Note:

- When temperature is below 0°C, the response time of liquid crystal (LC) will be slower and the color of panel will be darker.
- If module driving condition exceeds the absolute maximum ratings, permanent damaged may be resulted. If module is driven within the absolute maximum ratings but exceeded the DC characteristics, mal-function may be resulted.
- VDD/VCC > VSS

8. Electrical Characteristics

DC Characteristics

(GND=VSS=0V; Ta=25°C)

Item	Symbol	Min.	Typ.	Max.	Unit
I/O power supply	VDDIO	3.135	3.3	3.465	V
Digital Core power supply	VDDD	1.08	1.2	1.32	V
LCD Interface power supply	VDDLCD	1.65	3.3	3.6	V
Input signal voltage	Low level	VIL	---	---	0.2VDDIO
	High level	VIH	0.8VDDIO	---	VDDIO + 0.5
Output signal voltage	Low level	VOL	---	---	0.2VDDIO
	High level	VOH	0.8VDDIO	---	V
Power supply for backlight (pin#38)		4.75	5.0	5.25	V
Current consumption for backlight (pin#38)		256	320	480	mA

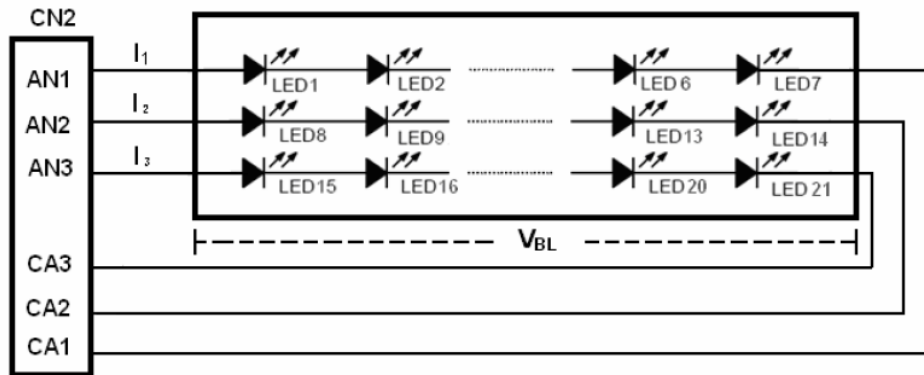
9. Display Controller /Power Supply Timing

See Display Controller Specification: **Solomon SSD1961**

10.Backlight specification

(VDDIO=3.3V, GND=VSS=0V, Ta=25°C)

Item	Symbol	Min	Typ	Max	Unit	Remark
Series 1 Forward current	If1	---	25	---	mA	Note 1
Series 2 Forward current	If2	---	25	---	mA	
Series 3 Forward current	If3	---	25	---	mA	
Forward voltage	VBL	19.95	---	25.9	V	
Backlight power consumption	WBL	---	1732.5	---	mW	



Notes:

- 1) IF is defined for one channel LED. There are total three LED channels in back light unit
- 2) Optical performance should be evaluated at Ta=25°C only.

11.Optical Characteristics

(VDDIO=3.3V, GND=VSS=0V, Ta=25°C)

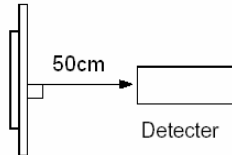
Item	Symbol	Condition	Min	Typ	Max	Unit	Note
Luminance	L	$\theta=0^\circ$	320	400	---	cd/m ²	1, 2
Uniformity	U	$\Phi=0^\circ$	75	80	---	%	1, 2
Viewing Angle	θT	$Cr \geq 10$	60	70	---	deg	3
	θB		50	60	---		
	θL		60	70	---		
	θR		60	70	---		
Contrast ratio	Cr		400	500	---	---	1, 4
Response Time	Tr	$\theta=0^\circ$	---	20	30	ms	1, 5
	Tf						
CIE (x,y) Chromaticity	White	x	0.252	0.302	0.352	---	1, 6
		y	0.279	0.329	0.379		
	Red	x	0.548	0.598	0.648		
		y	0.292	0.342	0.392		
	Green	x	0.284	0.334	0.384		
		y	0.535	0.585	0.635		
	Blue	x	0.092	0.142	0.192		
		y	0.052	0.102	0.152		
NTSC Ratio	S		---	50	---	%	

Note 1: The data are measured after LEDs are turned on for 5 minutes. LCM displays full white.
The brightness is the average value of 9 measured spots. Measurement equipment PR-705 (Φ8mm)

Measuring condition:

- Measuring surroundings: Dark room.
- Measuring temperature: $T_a=25^{\circ}\text{C}$.
- Adjust operating voltage to get optimum contrast at the center of the display.

Measured value at the center point of LCD panel after more than 5 minutes while backlight turning on.

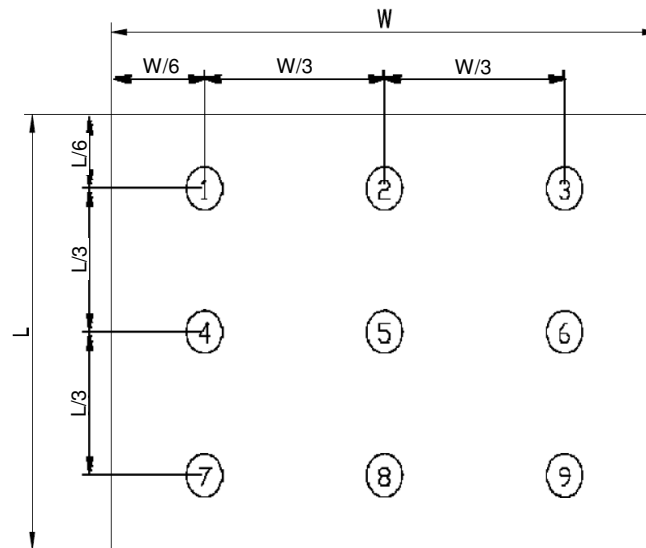


Note 2: The luminance uniformity is calculated by using following formula.

$$L = L(\text{Min.}) / L(\text{Max.}) \times 100 (\%)$$

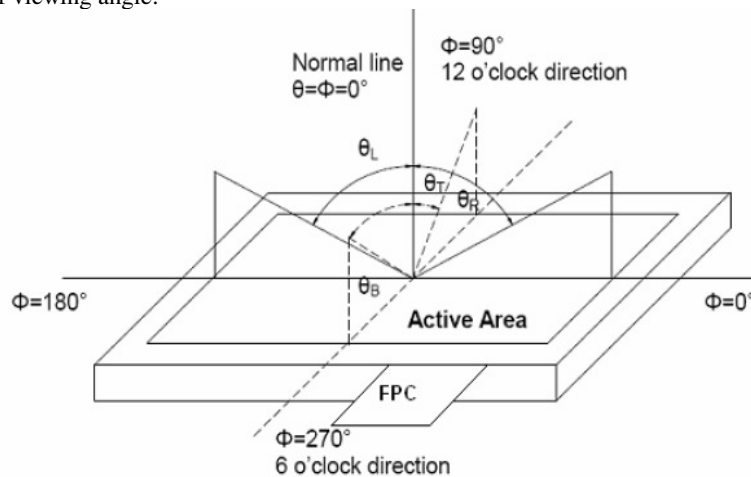
L (Max.) = Maximum brightness in 9 measured spots

L (Min.) = Minimum brightness in 9 measured spots.



Measurement equipment PR-705 (Φ8mm)

Note 3: The definition of viewing angle:



Note 4: The definition of contrast ratio (Test LCM using PR-705):

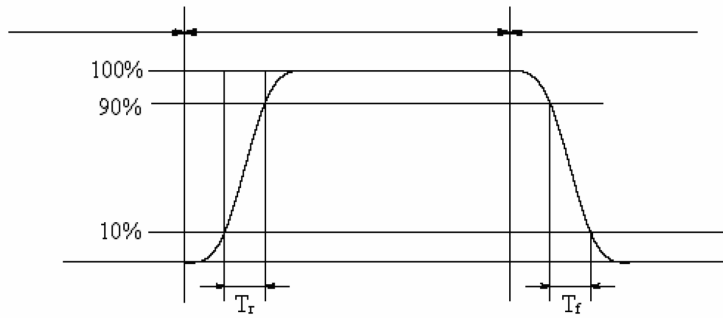
$$\text{Contrast Ratio (CR)} = \frac{\text{Luminance When LCD is at "White" state}}{\text{Luminance When LCD is at "Black" state}}$$

(Contrast Ratio is measured in optimum common electrode voltage)

Note 5: Definition of Response time. (Test LCD using DMS501):

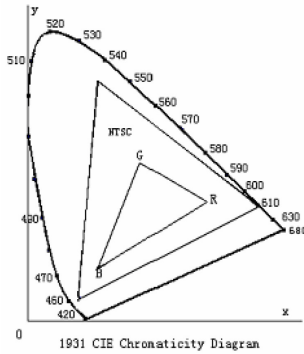
The output signals of photo detector are measured when the input signals are changed from "black" to "white" (falling time) and from "white" to "black" (rising time), respectively.

The response time is defined as the time interval between the 10% and 90% of amplitudes. Refer to figure as below.



The definition of response time

Note 6: Definition of Color of CIE Coordinate and NTSC Ratio.



Color gamut:

$$S = \frac{\text{area of RGB triangle}}{\text{area of NTSC triangle}} \times 100\%$$

12. Safety Precaution

Handling precautions:

- This device is susceptible to Electro-Static Discharge (ESD) damage. Observe Anti-Static precautions.

Power supply precautions:

- Identify and, at all times, observe absolute maximum ratings for both logic and LC drivers. Note that there is some variance between models.
- Prevent the application of reverse polarity to VCC and GND, however briefly.
- Use a clean power source free from transients. Power up conditions are occasionally “jolting” and may exceed the maximum ratings of the modules.
- The VCC power of the module should also supply the power to all devices that may access the display. Don't allow the data bus to be driven when the logic supply to the module is turned off.

Operating precautions:

- DO NOT plug or unplug the module when the system is powered up.
- Minimize the cable length between the module and host MPU.
- Operate the module within the limits of the modules temperature specifications.

Mechanical/Environmental precautions:

- Improper soldering is the major cause of module difficulty. Use of flux cleaner is not recommended as they may seep under the elastomeric connection and cause display failure.
- Mount the module so that it is free from torque and mechanical stress.
- Surface of the LCD panel should not be touched or scratched. The display front surface is an easily scratched, plastic polarizer. Avoid contact and clean only when necessary with soft, absorbent cotton dampened with petroleum benzene.
- Always employ anti-static procedure while handling the module.
- Prevent moisture build-up upon the module and observe the environmental constraints for storage temperature and humidity.
- Do not store in direct sunlight
- If leakage of the liquid crystal material should occur, avoid contact with this material, particularly ingestion. If the body or clothing becomes contaminated by the liquid crystal material, wash thoroughly with water and soap

Компания «Life Electronics» занимается поставками электронных компонентов импортного и отечественного производства от производителей и со складов крупных дистрибьюторов Европы, Америки и Азии.

С конца 2013 года компания активно расширяет линейку поставок компонентов по направлению коаксиальный кабель, кварцевые генераторы и конденсаторы (керамические, пленочные, электролитические), за счёт заключения дистрибьюторских договоров

Мы предлагаем:

- Конкурентоспособные цены и скидки постоянным клиентам.
- Специальные условия для постоянных клиентов.
- Подбор аналогов.
- Поставку компонентов в любых объемах, удовлетворяющих вашим потребностям.
- Приемлемые сроки поставки, возможна ускоренная поставка.
- Доставку товара в любую точку России и стран СНГ.
- Комплексную поставку.
- Работу по проектам и поставку образцов.
- Формирование склада под заказчика.
- Сертификаты соответствия на поставляемую продукцию (по желанию клиента).
- Тестирование поставляемой продукции.
- Поставку компонентов, требующих военную и космическую приемку.
- Входной контроль качества.
- Наличие сертификата ISO.

В составе нашей компании организован Конструкторский отдел, призванный помогать разработчикам, и инженерам.

Конструкторский отдел помогает осуществить:

- Регистрацию проекта у производителя компонентов.
- Техническую поддержку проекта.
- Защиту от снятия компонента с производства.
- Оценку стоимости проекта по компонентам.
- Изготовление тестовой платы монтаж и пусконаладочные работы.



Тел: +7 (812) 336 43 04 (многоканальный)

Email: org@lifeelectronics.ru