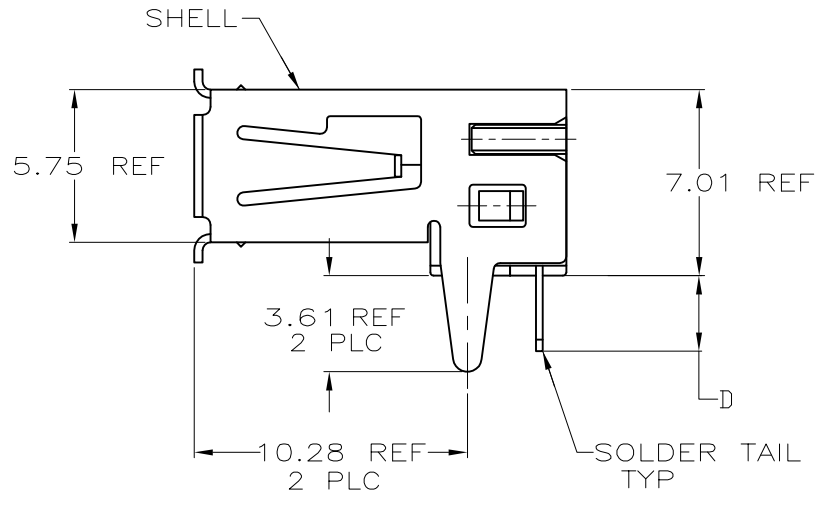
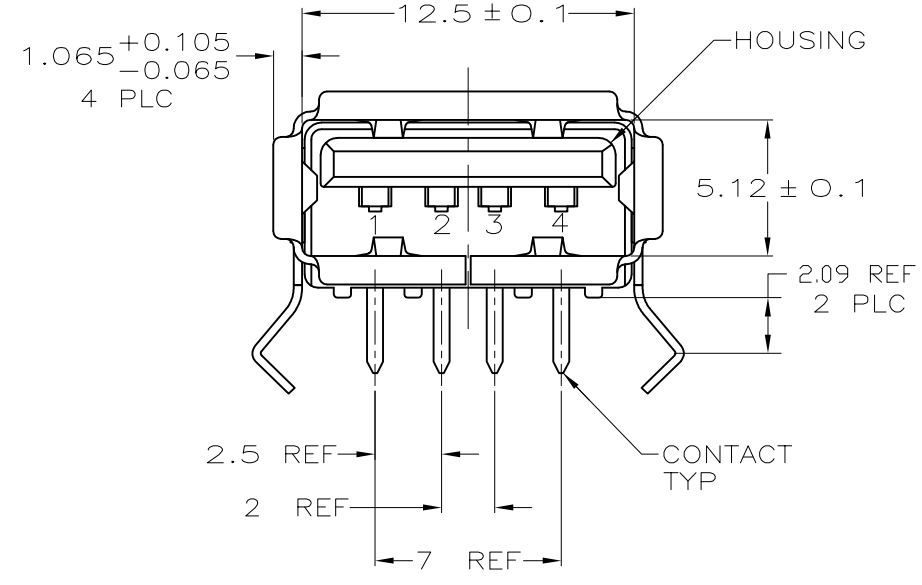


LOC		DIST		REVISIONS			
P	LTR	DESCRIPTION	DATE	DWN	APVD		
ES	00						
	E12	REVISED PER ECR-17-010413	20JUL17	T.Z	H.W		



PC BOARD MOUNTING DIMENSIONS ④



- ① MATERIAL:  
 SHELL- STAINLESS STEEL.  
 CONTACTS- COPPER ALLOY.  
 HOUSING: UL 94V-0 RATED, THERMOPLASTIC, COLOR SEE TABLE.
- ② PLATING:  
 CONTACTS: 0.076μm MINIMUM GOLD OVER 0.76μm MINIMUM PALLADIUM-NICKEL ON MATING AREA.  
 3.8μm MINIMUM MATTE TIN ON SOLDER TAILS.  
 BOTH OVER 1.27μm MINIMUM NICKEL.  
 CONTACT ALTERNATE PLATING: 0.76μm MIN GOLD ON MATING AREA, 3.80μm MIN MATTE TIN ON SOLDER TAILS, BOTH OVER 1.27μm MIN NICKEL.  
 SHELL: 2~5μm MINIMUM BRIGHT TIN
- ③ DATUM AND BASIC DIMENSIONS ESTABLISHED BY CUSTOMER.
- ④ RECOMMENDED PC BOARD THICKNESS OF 1.57.
- ⑤ PLATING:  
 CONTACTS: 0.76μm MINIMUM PALLADIUM-NICKEL ON MATING AREA.  
 3.8μm MINIMUM MATTE TIN ON SOLDER TAILS.  
 BOTH OVER 1.27μm MINIMUM NICKEL.  
 SHELL: 2~5μm MINIMUM BRIGHT TIN

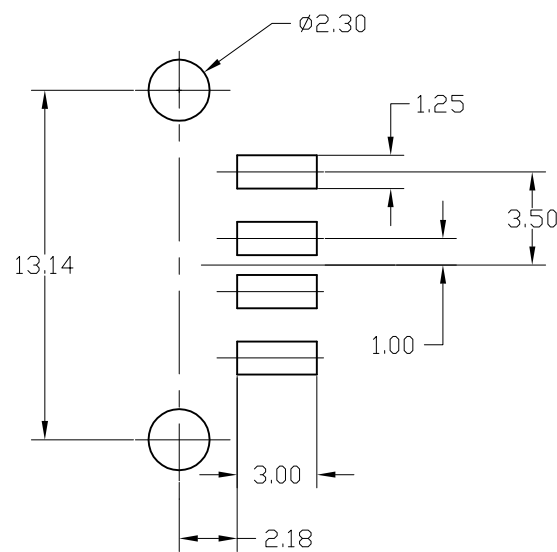
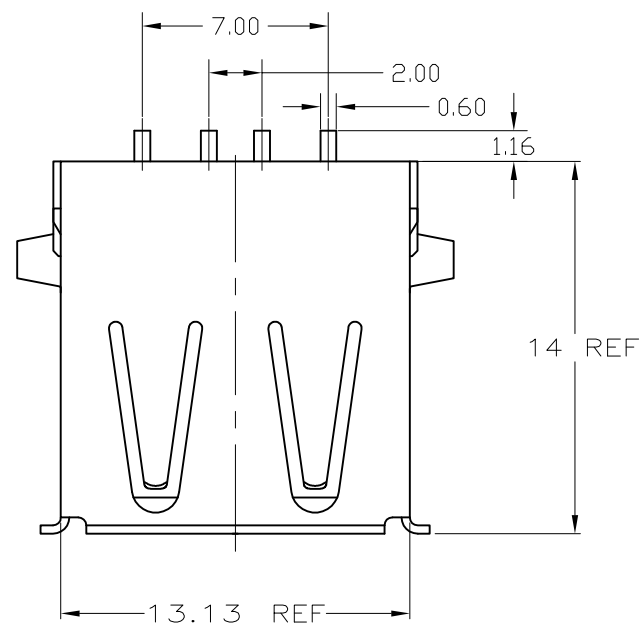
⑤	YES	2.84	BLACK	2-292303-0 ⑤⑨
②	YES	2.29	BLACK	1-292303-9 ⑤⑧
②	NO	3.81	BLACK	1-292303-5
②	NO	3.56	BLACK	1-292303-4
②	NO	3.20	BLACK	1-292303-3
②	YES	3.30	BLACK	1-292303-2
②	YES	2.29	BLACK	292303-6
②	YES	2.84	NATURAL	292303-5
②	YES	2.84	BLACK	292303-4
②	NO	2.84	NATURAL	292303-3
②	NO	2.29	BLACK	292303-2
②	NO	2.84	BLACK	292303-1
CONTACT PLATING	HIGH TEMPERATURE COMPATIBLE	D	HOUSING COLOR	PART NUMBER

THIS DRAWING IS A CONTROLLED DOCUMENT.

DIMENSIONS: mm	TOLERANCES UNLESS OTHERWISE SPECIFIED:	DWN J. JIANG 19FEB04		
0 PLC ± -	1 PLC ± -	CHK S. YAO 19FEB04		
2 PLC ± 0.25	3 PLC ± -	APVD T. SASAKI 19FEB04	NAME RECEPTACLE ASSEMBLY RIGHT ANGLE, 4 POSITION, T/H & SMT USB, LEAD FREE VERSION	
4 PLC ± -	ANGLES ± -	PRODUCT SPEC 108-60034	SIZE A2	CAGE CODE 00779
MATERIAL ①	FINISH SEE TABLE	APPLICATION SPEC	DRAWING NO C=292303	RESTRICTED TO
		WEIGHT -	SCALE 5:1	SHEET 1 OF 4
		CUSTOMER DRAWING	REV E12	

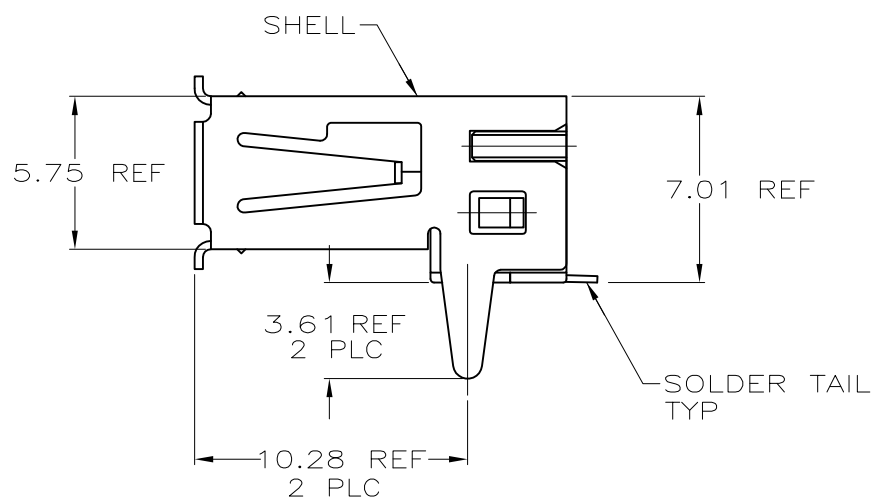
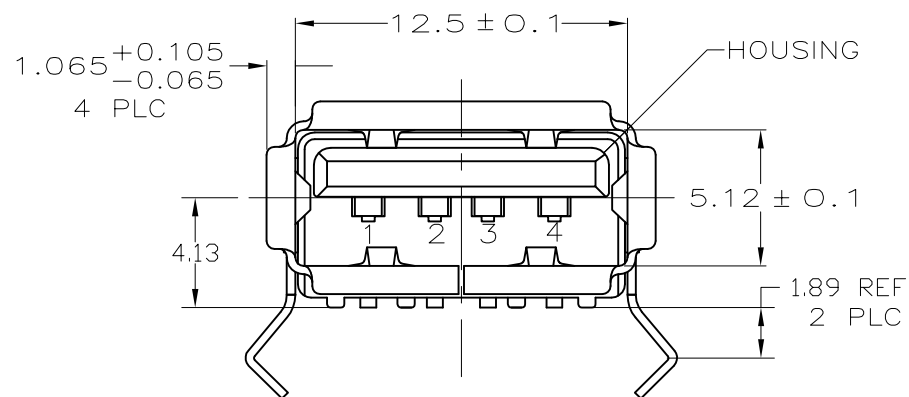
THIS DRAWING IS UNPUBLISHED. RELEASED FOR PUBLICATION  
 © COPYRIGHT - By - ALL RIGHTS RESERVED.

LOC		DIST		REVISIONS			
P	LTR	DESCRIPTION	DATE	DWN	APVD		
ES	00	-	-	-	-	SEE SHEET 1	-



- ⚠ MATERIAL:
  - ① SHELL- STAINLESS STEEL
  - CONTACTS- COPPER ALLOY.
  - HOUSING: UL 94V-0 RATED, THERMOPLASTIC, COLOR SEE TABLE.
- ⚠ PLATING:
  - CONTACTS: 0.076 μm MINIMUM GOLD OVER 0.76 μm MINIMUM PALLADIUM-NICKEL ON MATING AREA.
  - 3.8 μm MINIMUM MATTE TIN ON SOLDER TAILS.
  - BOTH OVER 1.27 μm MINIMUM NICKEL.
  - CONTACT ALTERNATE PLATING: 0.76μm MIN GOLD ON MATING AREA, 3.80 μm MIN MATTE TIN ON SOLDER TAILS, BOTH OVER 1.27 μm MIN NICKEL.
  - SHELL: 2~5 μm MINIMUM BRIGHT TIN
- ⚠ RECOMMENDED PC BOARD THICKNESS OF 1.42.

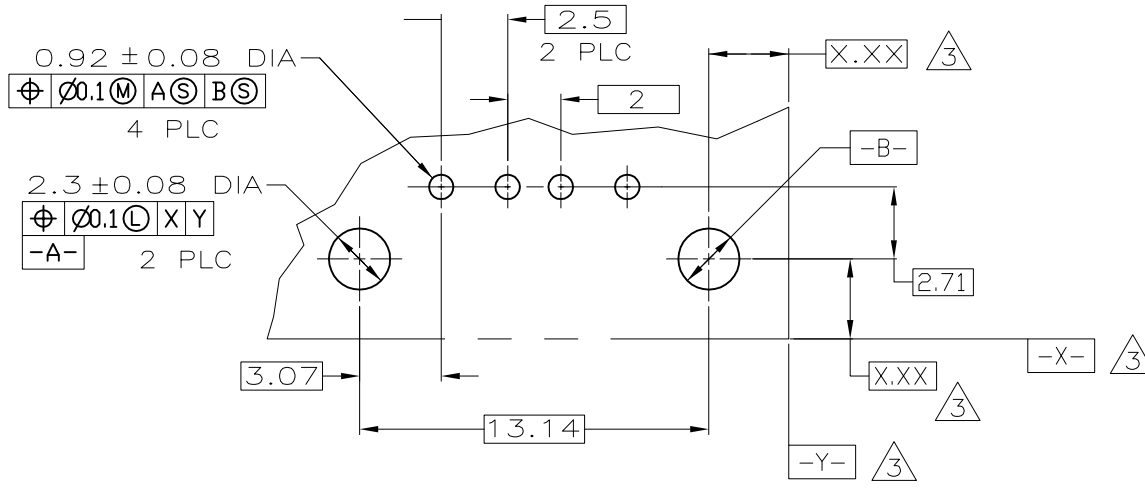
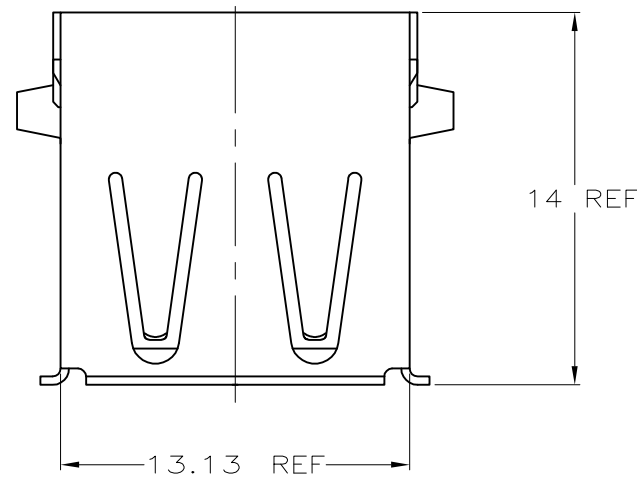
RECOMMENDED PC BOARD MOUNTING LAYOUT ⚠  
 (TOLERANCE=±0.05)



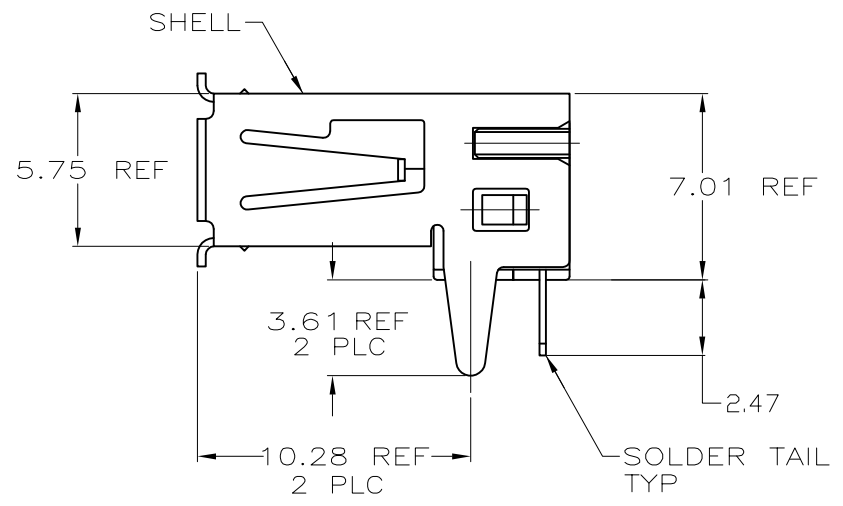
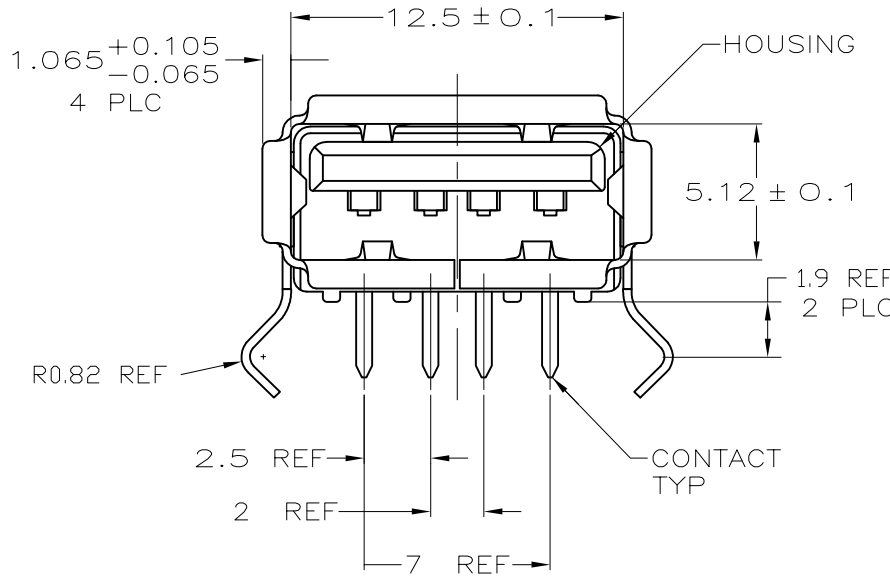
YES	BLACK	3-292303-1 (E10)
YES	BLACK	1-292303-1
YES	NATURAL	292303-7
HIGH TEMPERATURE COMPATIBLE	HOUSING COLOR	PART NUMBER

THIS DRAWING IS A CONTROLLED DOCUMENT.		DWN	19FEB04	TE Connectivity	
DIMENSIONS: mm		J. JIANG	19FEB04		
TOLERANCES UNLESS OTHERWISE SPECIFIED:		CHK	S. YAO		
0 PLC ± - 1 PLC ± - 2 PLC ± 0.25 3 PLC ± - 4 PLC ± - ANGLES ± - FINISH		APVD	T. SASAKI	NAME	
MATERIAL		108-60034		RECEPTACLE ASSEMBLY RIGHT	
⚠ 1		APPLICATION SPEC		ANGLE, 4 POSITION, T/H & SMT	
⚠ 2		WEIGHT		USB, LEAD FREE VERSION	
		CUSTOMER DRAWING		SIZE	RESTRICTED TO
		SCALE 5:1		A2	
		SHEET 2 OF 4		00779	
		REV E12		C=292303	

LOC	DIST	REVISIONS			
P	LTR	DESCRIPTION	DATE	DWN	APVD
ES	00	SEE SHEET 1	-	-	-



PC BOARD MOUNTING DIMENSIONS  $\Delta 4$



- $\Delta 1$  MATERIAL:  
 $\text{\textcircled{1}}$  SHELL- STAINLESS STEEL.  
 CONTACTS- COPPER ALLOY.  
 HOUSING: UL 94V-0 RATED, THERMOPLASTIC, COLOR SEE TABLE.
- $\Delta 2$  PLATING:  
 CONTACTS: 0.076  $\mu\text{m}$  MINIMUM GOLD OVER 0.76  $\mu\text{m}$  MINIMUM PALLADIUM-NICKEL ON MATING AREA.  
 3.8  $\mu\text{m}$  MINIMUM MATTE TIN ON SOLDER TAILS.  
 BOTH OVER 1.27  $\mu\text{m}$  MINIMUM NICKEL.  
 CONTACT ALTERNATE PLATING: 0.76  $\mu\text{m}$  MIN GOLD ON MATING AREA, 3.80  $\mu\text{m}$  MIN MATTE TIN ON SOLDER TAILS, BOTH OVER 1.27  $\mu\text{m}$  MIN NICKEL.  
 SHELL: 2~5  $\mu\text{m}$  MINIMUM BRIGHT TIN
- $\Delta 3$  DATUM AND BASIC DIMENSIONS ESTABLISHED BY CUSTOMER.
- $\Delta 4$  RECOMMENDED PC BOARD THICKNESS OF 1.2.

NO	NATURAL	292303-8
HIGH TEMPERATURE COMPATIBLE	HOUSING COLOR	PART NUMBER
<b>STE</b> TE Connectivity		
RECEPTACLE ASSEMBLY RIGHT ANGLE, 4 POSITION, T/H & SMT USB, LEAD FREE VERSION		
APVD T.SASAKI 19FEB04	NAME	RESTRICTED TO
PRODUCT SPEC 108-60034	SIZE A2	CAGE CODE 00779
APPLICATION SPEC	DRAWING NO C=292303	SCALE 5:1
WEIGHT -	CUSTOMER DRAWING	SHEET 3 OF 4
		REV E12

THIS DRAWING IS A CONTROLLED DOCUMENT.	
DIMENSIONS: mm	TOLERANCES UNLESS OTHERWISE SPECIFIED:
$\text{\textcircled{0}}$	0 PLC $\pm$ -
$\text{\textcircled{1}}$	1 PLC $\pm$ -
$\text{\textcircled{2}}$	2 PLC $\pm$ 0.25
$\text{\textcircled{3}}$	3 PLC $\pm$ -
$\text{\textcircled{4}}$	4 PLC $\pm$ -
ANGLES	$\pm$ -
FINISH	
MATERIAL	

4 3 2 1

THIS DRAWING IS UNPUBLISHED. RELEASED FOR PUBLICATION  
 © COPYRIGHT - By - ALL RIGHTS RESERVED.

LOC			DIST			REVISIONS			
P	LTR	DESCRIPTION	DATE	DWN	APVD				
ES	00	SEE SHEET 1	-	-	-				

RECOMMENDED MOUNTING PANEL CUTOUT

⚠ MATERIAL:  
 Ⓜ SHELL- STAINLESS STEEL.  
 CONTACTS- COPPER ALLOY.  
 HOUSING: UL 94V-0 RATED, THERMOPLASTIC, COLOR SEE TABLE.

⚠ PLATING:  
 CONTACTS: 0.076 μm MINIMUM GOLD OVER 0.76 μm MINIMUM PALLADIUM-NICKEL ON MATING AREA.  
 3.8 μm MINIMUM MATTE TIN ON SOLDER TAILS.  
 BOTH OVER 1.27 μm MINIMUM NICKEL.  
 CONTACT ALTERNATE PLATING: 0.76 μm MIN GOLD ON MATING AREA, 3.80 μm MIN MATTE TIN ON SOLDER TAILS, BOTH OVER 1.27 μm MIN NICKEL.  
 SHELL: 2~5 μm MINIMUM BRIGHT TIN

⚠ PANEL IS NEEDED FOR CUSTOMER.  
 ⚠ THIS P/N IS PRELIMINARY.

RECOMMENDED PC BOARD MOUNTING LAYOUT (TOLERANCE=±0.05)

YES	BLACK	1-292303-6 ⚠
YES	NATURAL	292303-9
HIGH TEMPERATURE COMPATIBLE	HOUSING COLOR	PART NUMBER

THIS DRAWING IS A CONTROLLED DOCUMENT.		DWN J.JIANG 19FEB04		
DIMENSIONS: mm		CHK S.YAO 19FEB04		
TOLERANCES UNLESS OTHERWISE SPECIFIED:		APVD T.SASAKI 19FEB04	NAME	
0 PLC ± -	1 PLC ± -	PRODUCT SPEC	RECEPTACLE ASSEMBLY RIGHT	
2 PLC ± 0.25	3 PLC ± -	108-60034	ANGLE, 4 POSITION, T/H & SMT	
4 PLC ± -	ANGLES ± -	APPLICATION SPEC	USB, LEAD FREE VERSION	
MATERIAL ⚠	FINISH ⚠	WEIGHT -	SIZE A2	RESTRICTED TO -
		CUSTOMER DRAWING	CAGE CODE 00779	DRAWING NO C=292303
			SCALE 5:1	SHEET 4 OF 4
				REV E12

1471-9 (3/11)

292303

Компания «Life Electronics» занимается поставками электронных компонентов импортного и отечественного производства от производителей и со складов крупных дистрибьюторов Европы, Америки и Азии.

С конца 2013 года компания активно расширяет линейку поставок компонентов по направлению коаксиальный кабель, кварцевые генераторы и конденсаторы (керамические, пленочные, электролитические), за счёт заключения дистрибьюторских договоров

Мы предлагаем:

- Конкуренспособные цены и скидки постоянным клиентам.
- Специальные условия для постоянных клиентов.
- Подбор аналогов.
- Поставку компонентов в любых объемах, удовлетворяющих вашим потребностям.
- Приемлемые сроки поставки, возможна ускоренная поставка.
- Доставку товара в любую точку России и стран СНГ.
- Комплексную поставку.
- Работу по проектам и поставку образцов.
- Формирование склада под заказчика.
- Сертификаты соответствия на поставляемую продукцию (по желанию клиента).
- Тестирование поставляемой продукции.
- Поставку компонентов, требующих военную и космическую приемку.
- Входной контроль качества.
- Наличие сертификата ISO.

В составе нашей компании организован Конструкторский отдел, призванный помогать разработчикам, и инженерам.

Конструкторский отдел помогает осуществить:

- Регистрацию проекта у производителя компонентов.
- Техническую поддержку проекта.
- Защиту от снятия компонента с производства.
- Оценку стоимости проекта по компонентам.
- Изготовление тестовой платы монтаж и пусконаладочные работы.



Тел: +7 (812) 336 43 04 (многоканальный)  
Email: org@lifeelectronics.ru