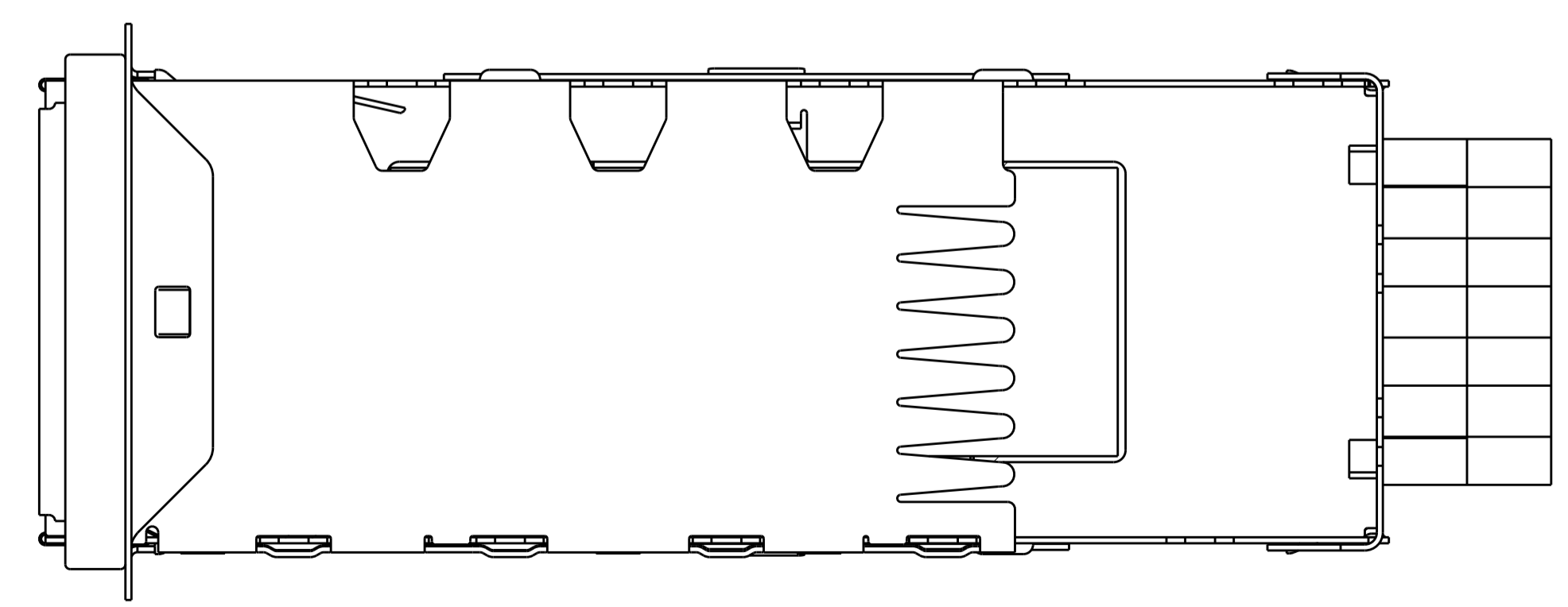
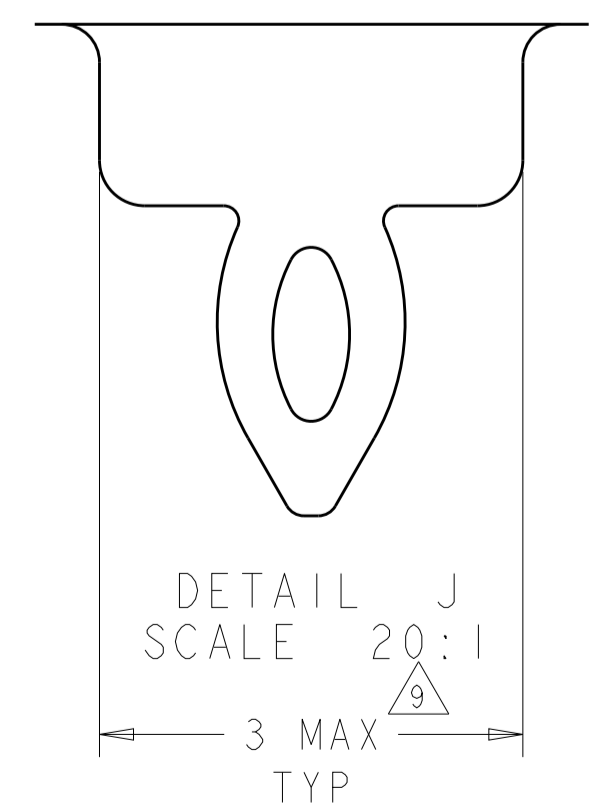
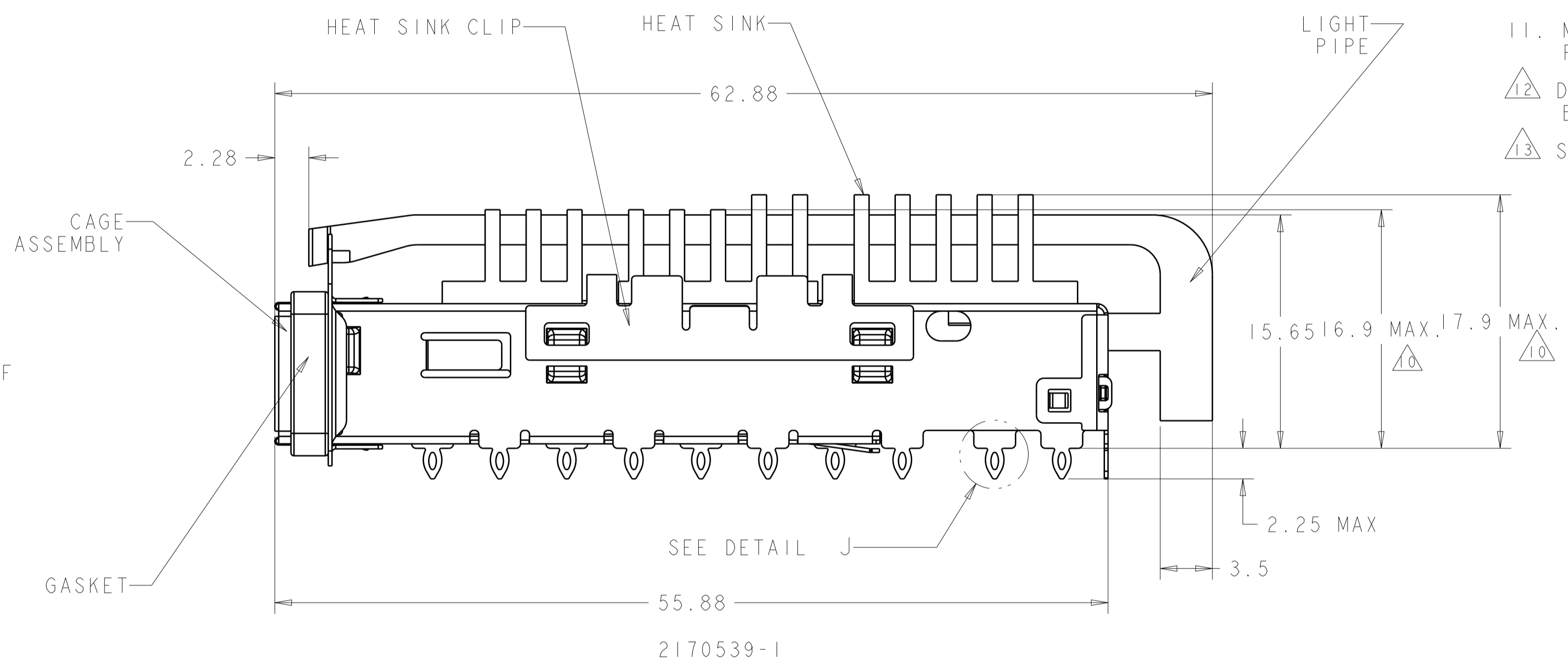
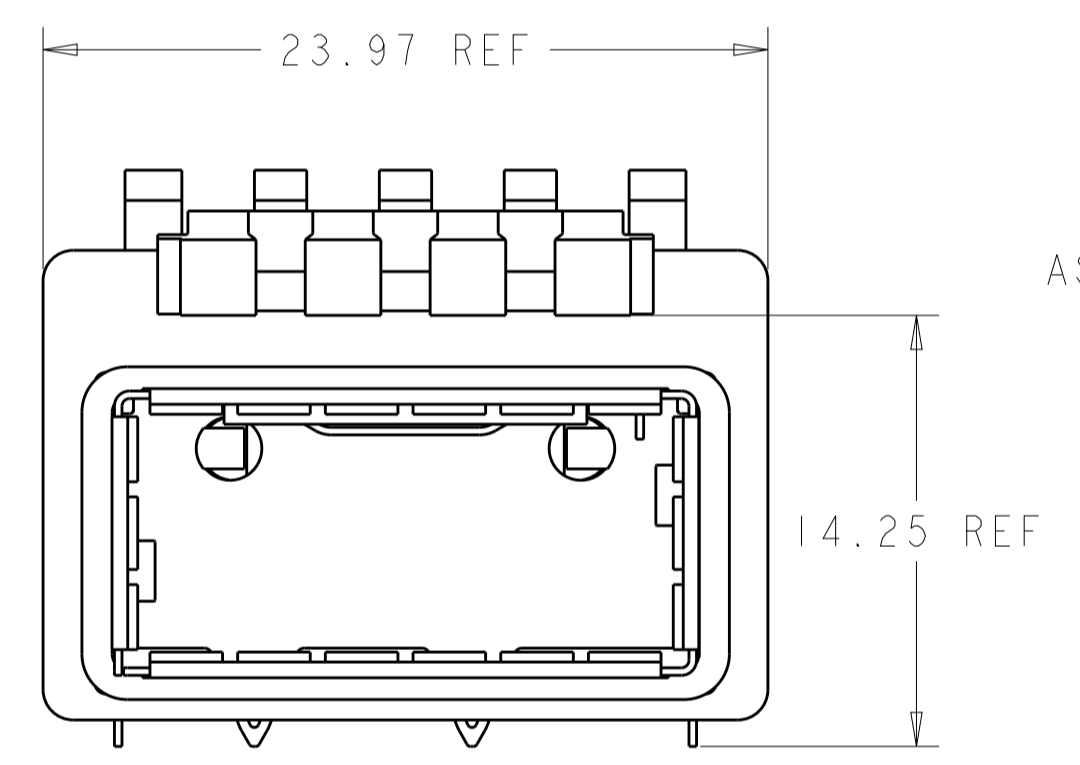
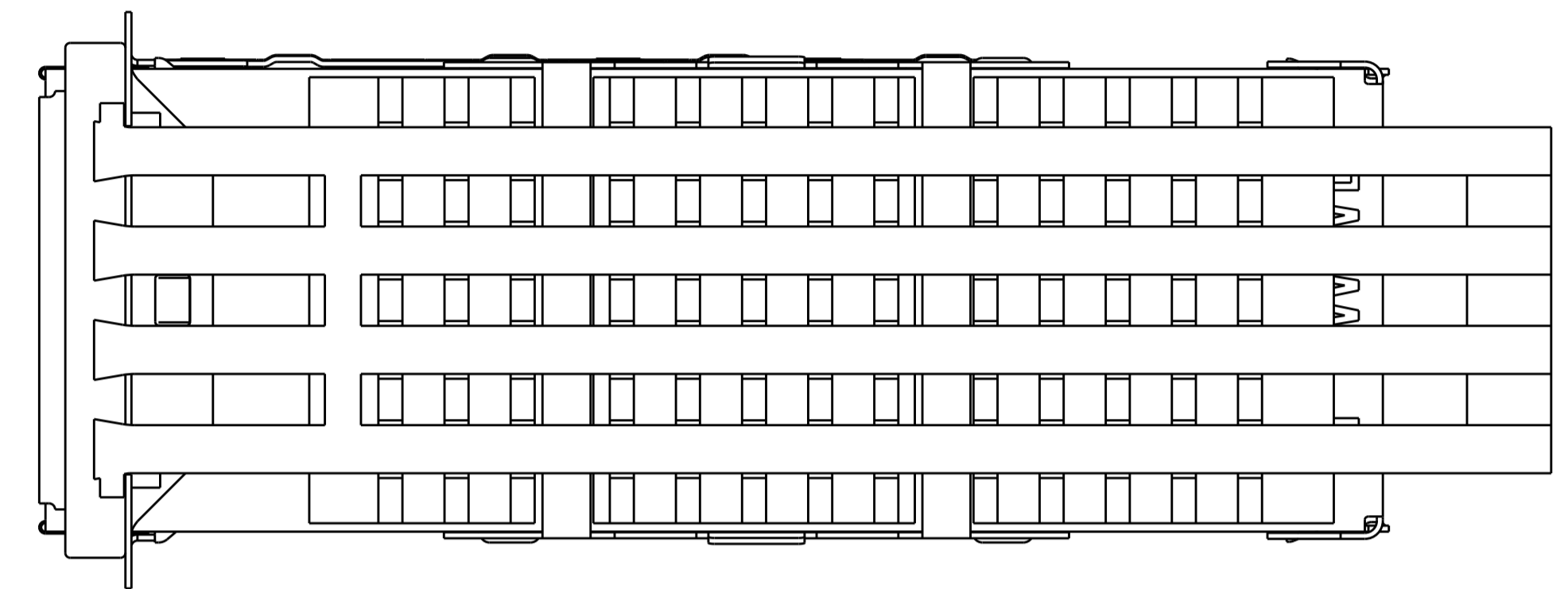
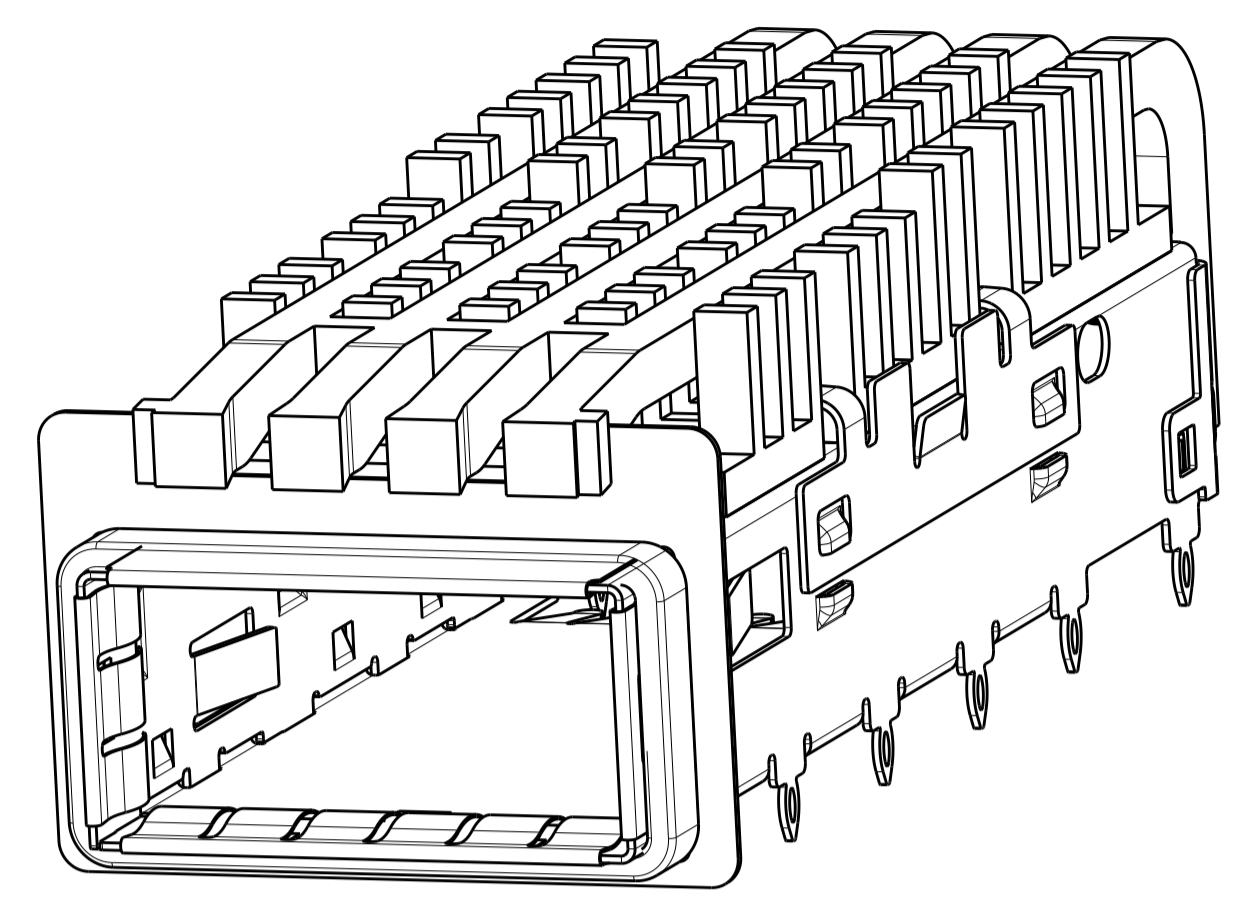


LOC		DIST		REVISIONS			
ES		00		REV	DATE	BY	CHK
4				PRELIMINARY	04MAY2014	HW	MC
5				ADD 2170539-5	04MAY2014	HW	MC
A				ADD SHEET 6 2170539-6	17SEP2015	RG	SH



- 1. CAGE MATERIAL: NICKEL SILVER, 0.25 THICK
 HEAT SINK MATERIAL: ALUMINUM
 HEAT SINK CLIP MATERIAL: STAINLESS STEEL
 LIGHT PIPE MATERIAL: CLEAR POLYCARBONATE, UL-94V-0 RATED.
 EMI SPRING MATERIAL: COPPER ALLOY
- 2. MINIMUM PITCH DIMENSION.
- 3. MATES WITH QSFP MSA COMPATIBLE TRANSCEIVER.
- 4. REFERENCE APPLICATION SPEC 114-13217 FOR RECOMMENDED DRILL HOLE DIAMETER AND PLATING THICKNESS.
- 5. DATUMS AND BASIC DIMENSIONS ESTABLISHED BY CUSTOMER.
- 6. MINIMUM PC BOARD THICKNESS:
 SINGLE SIDED = 1.45mm (shown, pg. 4)
- 7. HEAT SINK, CLIP, AND LIGHT PIPE SHIPPED ASSEMBLED TO CAGE ASSEMBLY. CAGE ASSEMBLY MAY BE PRESSED INTO THE PCB AS SHIPPED.
- 8. DATUM **-A-** IS TOP SURFACE OF HOST BOARD.
- 9. SURFACE TRACES PERMITTED WITHIN THIS AREA EXCEPT WHERE CAGE STANDOFFS, SHOWN IN DETAIL J, CONTACT PC BOARD.
- 10. DIMENSION APPLIES WITH MODULE INSTALLED IN THE CAGE TO TOP OF HEAT SINK.
- 11. MAXIMUM HEIGHT OF CUSTOMER SUPPLIED LED OFF PC BOARD: 1.70mm.
- 12. DATE CODE (YYWWD) MARKED ON TOP OF CAGE AND CONCEALED BY HEAT SINK APPLIES TO CAGE ASSEMBLY ONLY.
- 13. SPRING FINISH: MATT TIN 2µm MIN, NON-PLATED EDGES PERMISSIBLE.

SAN HEAT SINK WITH ONE PIN HEIGHT, HEAT SINK CLIP HORN SHAPE LP & SOLID GASKET	2170539-5
ONLY SOLID GASKET	2170539-4
SAN HEAT SINK WITH TWO PIN HEIGHT, HEAT SINK CLIP NRMAL LP & HOLLOW GASKET	2170539-3
ONLY HOLLOW GASKET	2170539-2
SAN HEAT SINK WITH TWO PIN HEIGHT, HEAT SINK CLIP HORN SHAPE LP & SOLID GASKET	2170539-1
DESCRIPTION	PART NO

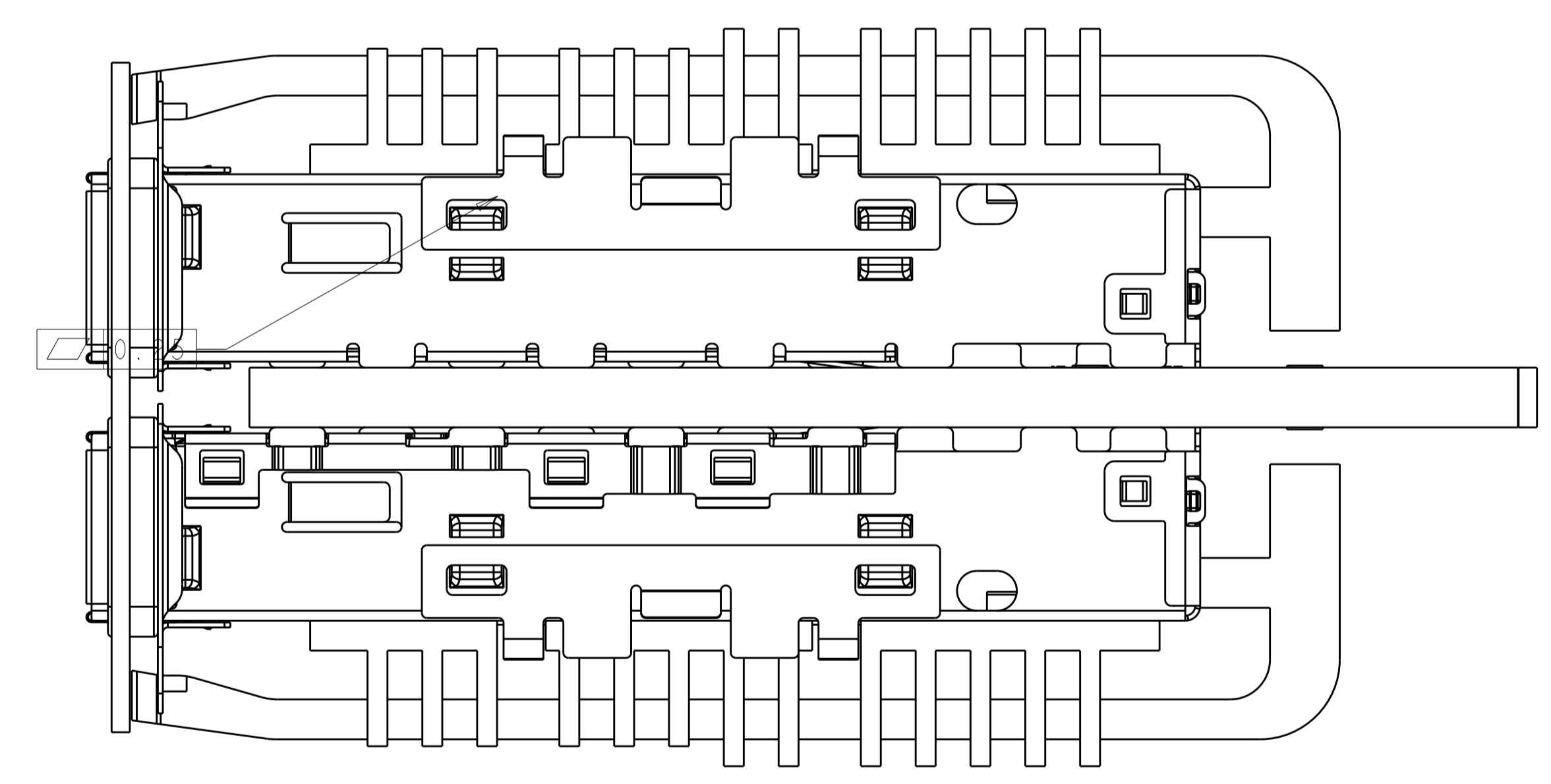
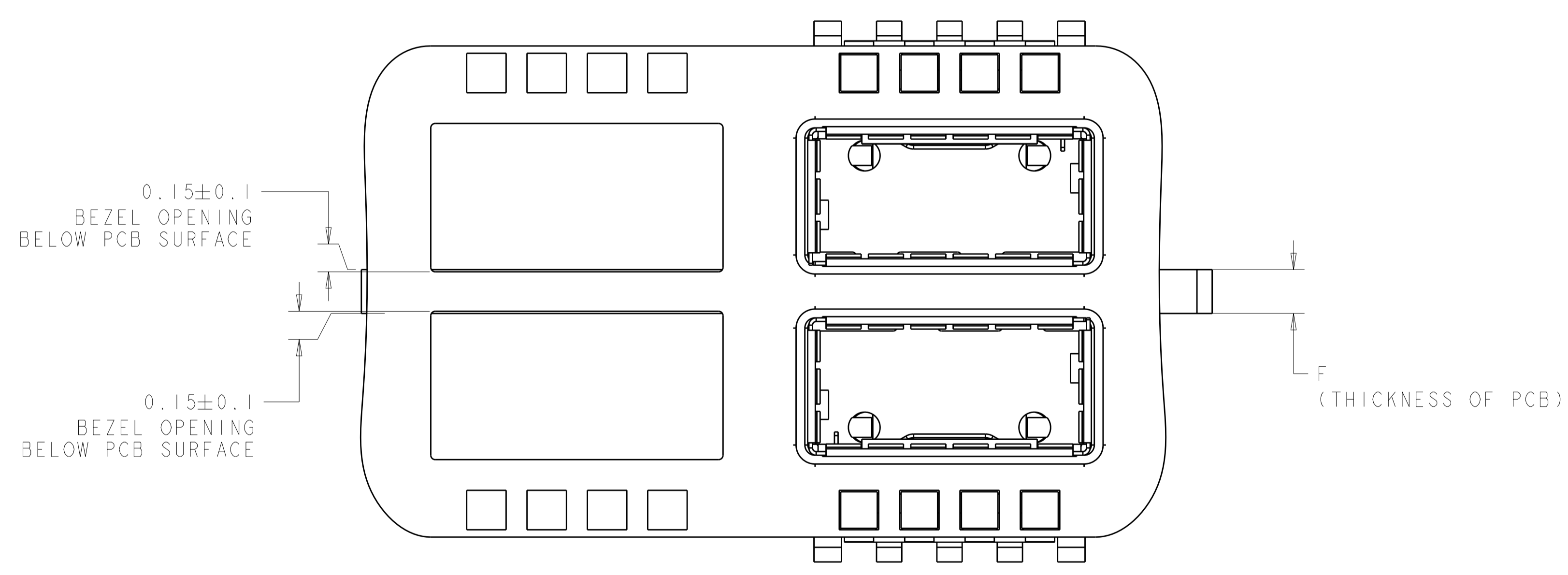
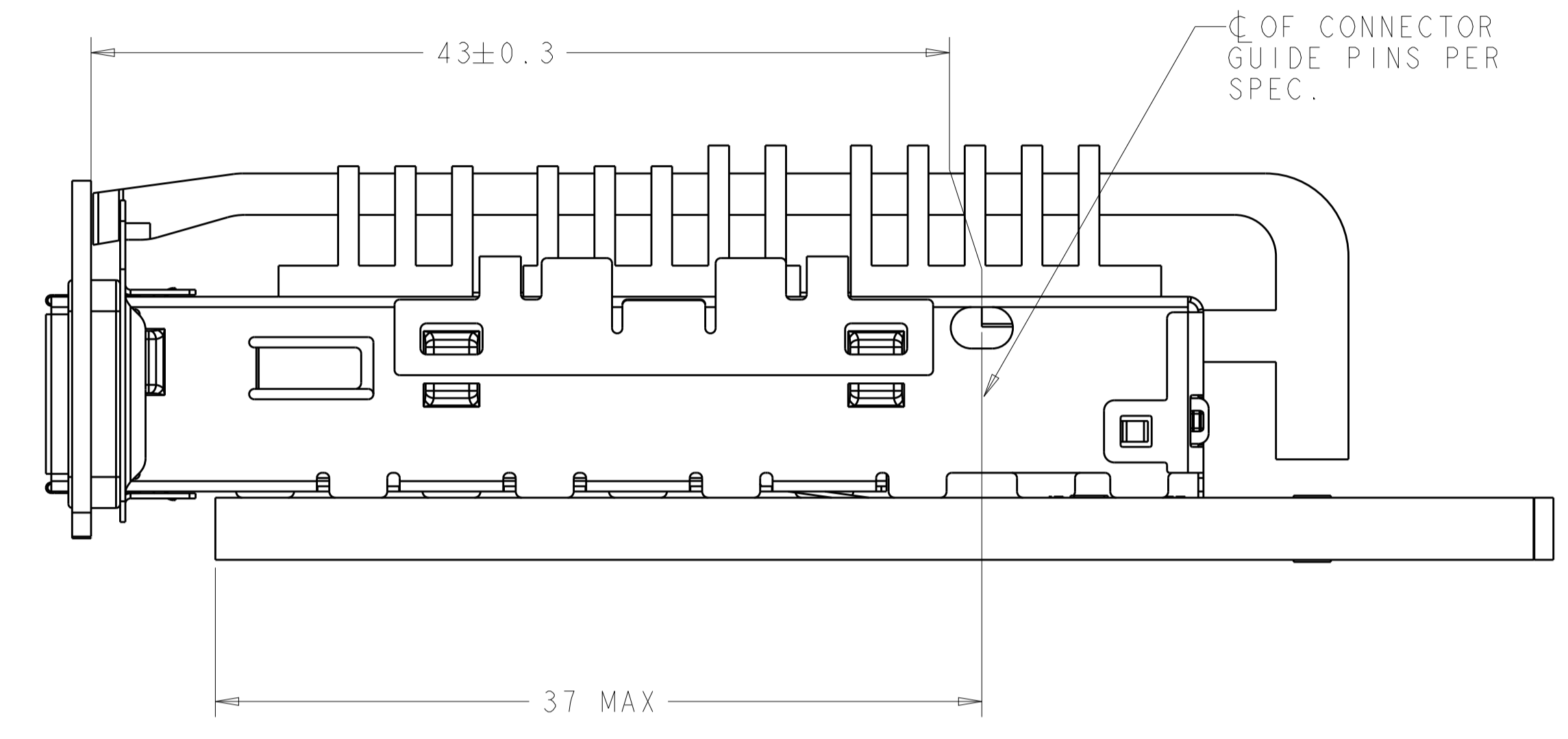
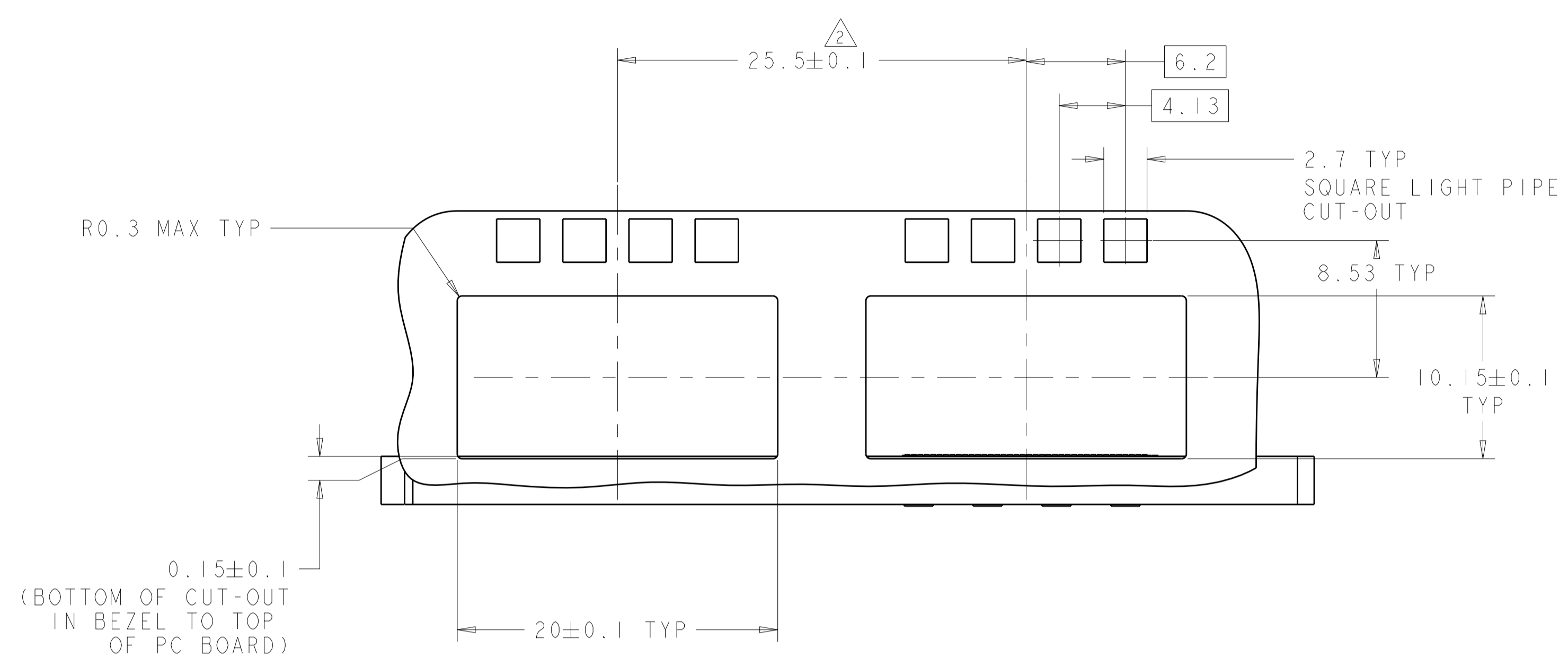
THIS DRAWING IS A CONTROLLED DOCUMENT.

DIMENSIONS:	TOLERANCES UNLESS OTHERWISE SPECIFIED:	OWN: TIM XUE 14MAY2013	CHK: JASON YANG 14MAY2013	APVD: ALEY CAI 14MAY2013	NAME: CAGE ASSEMBLY, QSFP+, W/ HEAT SINK, EMI GASKET AND LIGHT PIPE
mm	0 PLC ±0.5 1 PLC ±0.5 2 PLC ±0.13 3 PLC ±0.013 4 PLC ±0.001 ANGLES ±0.0001	PRODUCT SPEC: 108-2286	APPLICATION SPEC: 114-13217	SIZE: A1	SCALE: 4:1
MATERIAL:	FINISH:	WEIGHT:	CUSTOMER DRAWING	RESTRICTED TO: A100779C=2170539	SHEET 1 OF 6 REV A

4805 (3/11)

LOC	DIST	REV	DATE	BY	APPV
		1			

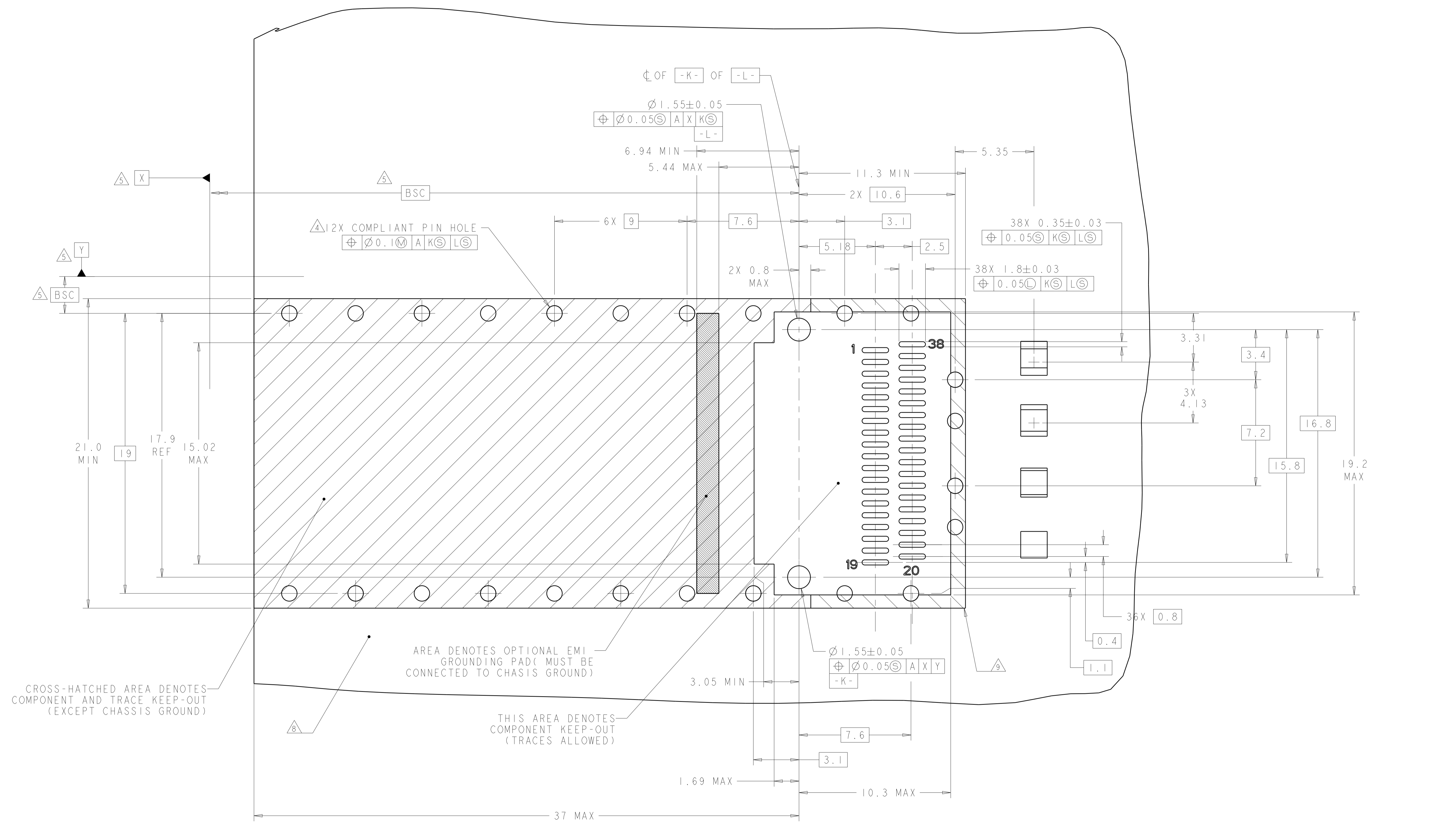
REVISIONS		DATE	BY	APPV
1	SEE SHEET 1			



SCALE 4:1

THIS DRAWING IS A CONTROLLED DOCUMENT.		OWN TIM XUE 14MAY2013	
DIMENSIONS:		CHK JASON YANG 14MAY2013	
mm		APPV ALEX CAI 14MAY2013	
		NAME CAGE ASSEMBLY, QSFP+, W/ HEAT SINK, EMI GASKET AND LIGHT PIPE	
TOLERANCES UNLESS OTHERWISE SPECIFIED:		PRODUCT SPEC 108-2286	SIZE 114-13217
0 PLC ±		APPLICATION SPEC	RESTRICTED TO
1 PLC ±0.5		114-13217	A100779C=2170539
2 PLC ±0.13		WEIGHT	SCALE 4:1 SHEET 2 OF 6 REV A
3 PLC ±0.013		Customer Drawing	
4 PLC ±0.001			
ANGLES ±			
FINISH			

LOC	DIST	REVISIONS			
P.	LTH	DESCRIPTION	DATE	DWN	APVD
-	-	SEE SHEET 1	-	-	-

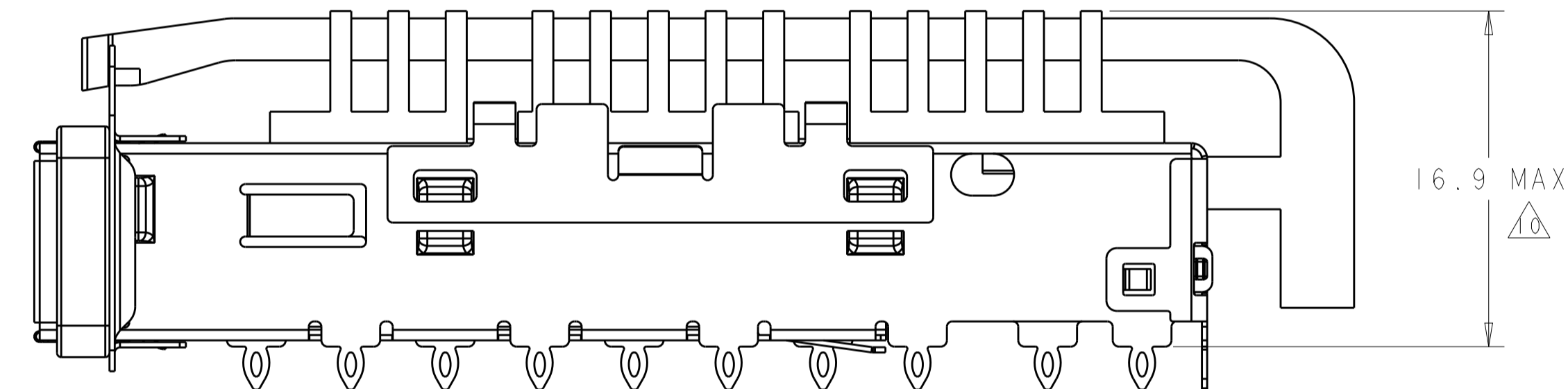


RECOMENDED PC BOARD LAYOUT
 SCALE 8:1

THIS DRAWING IS A CONTROLLED DOCUMENT.		DWN: TIM XUE 14MAY2013	TE Connectivity
DIMENSIONS: mm		CHK: JASON YANG 14MAY2013	
TOLERANCES UNLESS OTHERWISE SPECIFIED:		APVD: AILEY CAI 14MAY2013	NAME: CAGE ASSEMBLY, QSPF+, W/ HEAT SINK, EMI GASKET AND LIGHT PIPE PRODUCT SPEC: 108-2286 APPLICATION SPEC: 114-13217
0 PLC ± 0.5 1 PLC ± 0.13 2 PLC ± 0.13 3 PLC ± 0.013 4 PLC ± 0.001 ANGLES ± 0.001		SIZE: 114-13217 WEIGHT: - Customer Drawing	
MATERIAL: -		RESTRICTED TO: - SCALE: 4:1 SHEET 3 OF 6 REV A	

THIS DRAWING IS UNPUBLISHED. RELEASED FOR PUBLICATION 2011
 © COPYRIGHT 2011 TE Connectivity ALL RIGHTS RESERVED.

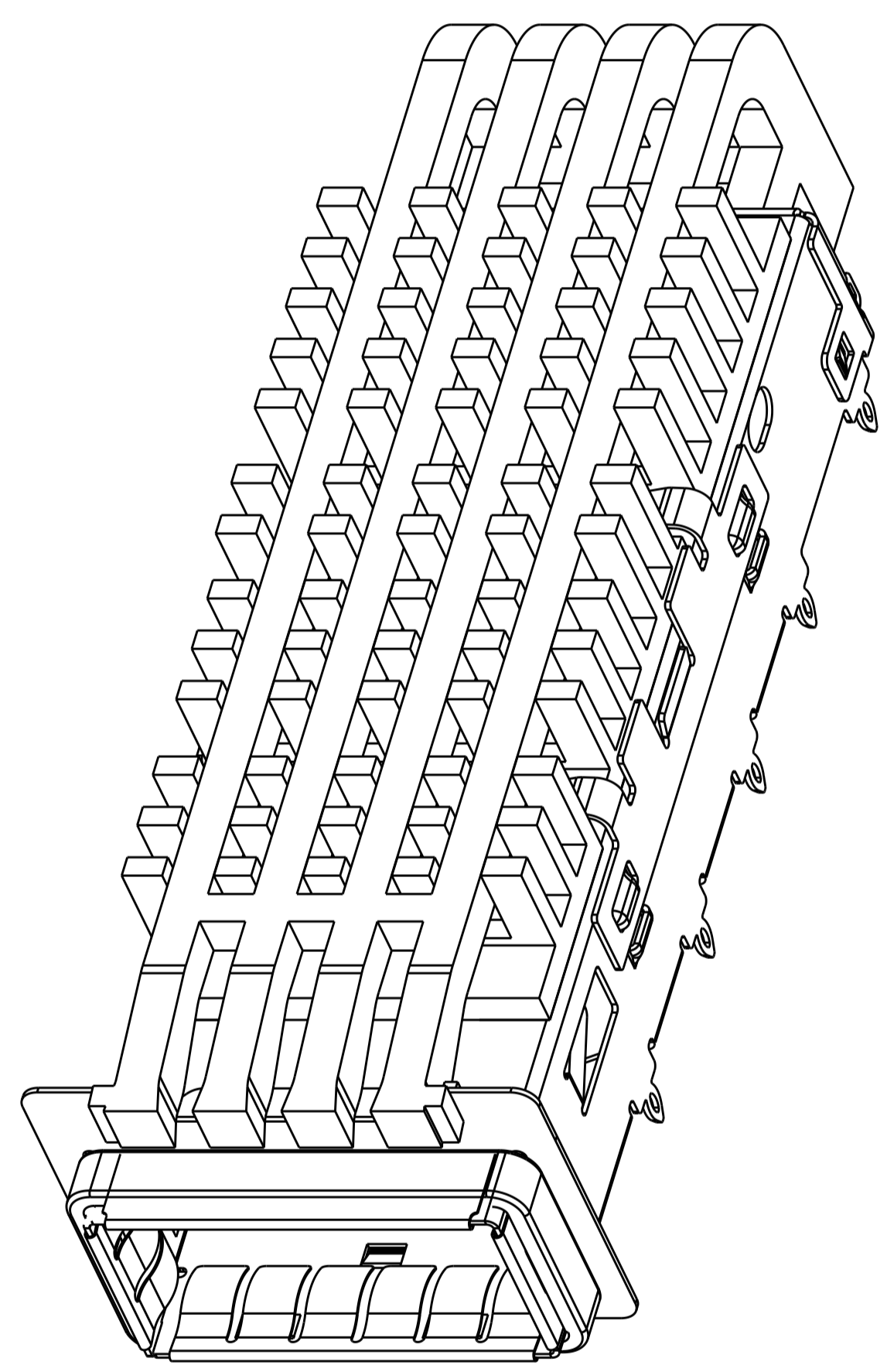
LOC	DIST	REVISIONS					
		P.	LTN	DESCRIPTION	DATE	DWN	APVD
		-		SEE SHEET 1	-	-	-



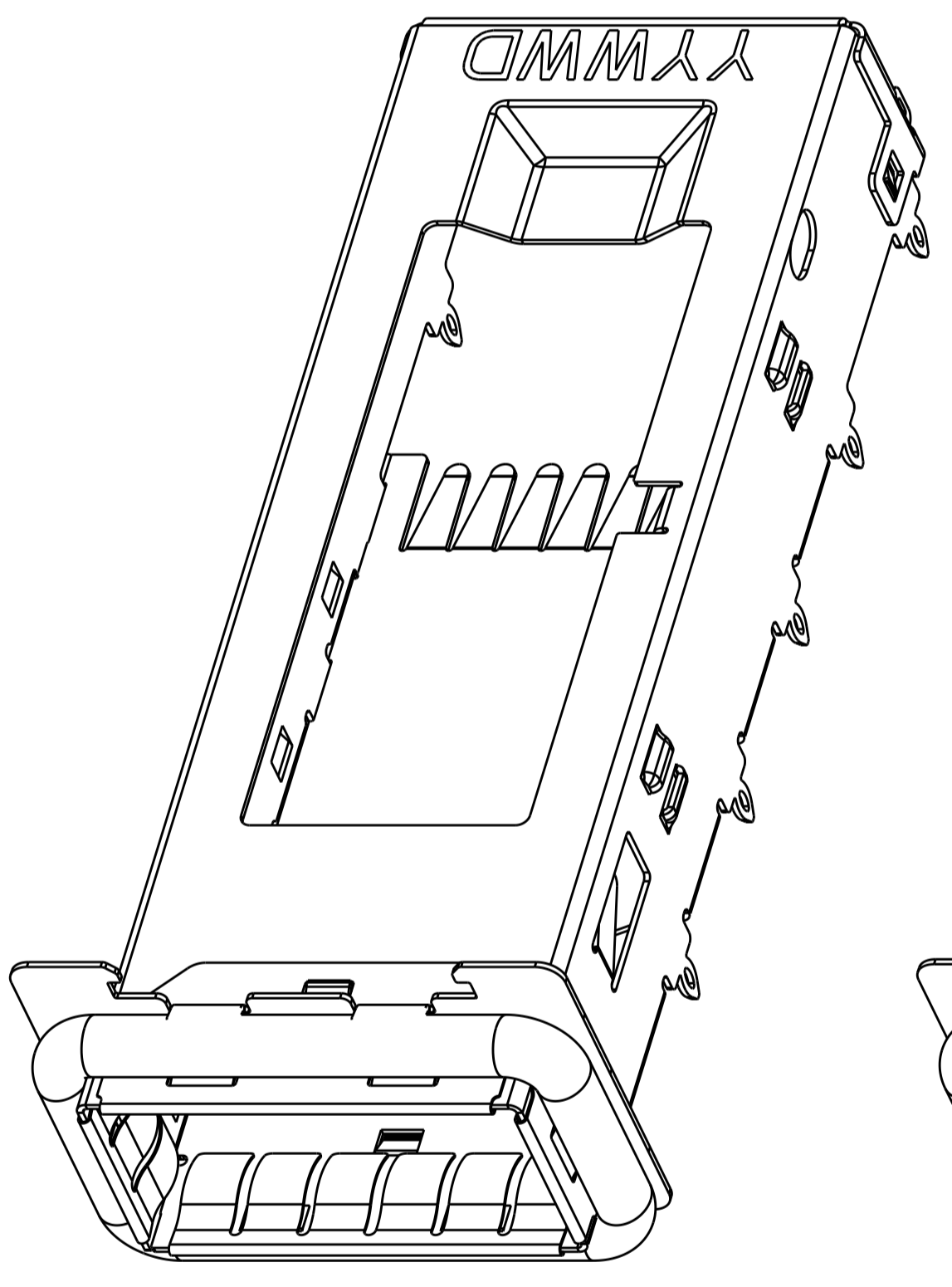
SCALE 4:1
 2170539-5
 EXCEPT INDICATED DIMENSION
 OTHER DIMENSIONS ARE SAME AS 2170539-1

THIS DRAWING IS A CONTROLLED DOCUMENT.		DWN	TIM XUE	14MAY2013	
		CHK	JASON YANG	14MAY2013	
		APVD	ALEY CAI	14MAY2013	
DIMENSIONS:		TOLERANCES UNLESS OTHERWISE SPECIFIED:		NAME	
mm	0 PLC ±0.5	108-2286		CAGE ASSEMBLY, QSFP+, W/ HEAT SINK, EMI GASKET AND LIGHT PIPE	
	2 PLC ±0.13	APPLICATION SPEC		SIZE CAGE CODE DRAWING NO	
	3 PLC ±0.013	114-13217		A100779C=2170539	
	4 PLC ±0.001	WEIGHT		RESTRICTED TO	
	ANGLES ±0.0001	Customer Drawing		-	
FINISH		SCALE 4:1		SHEET 4 OF 6	
				REV A	

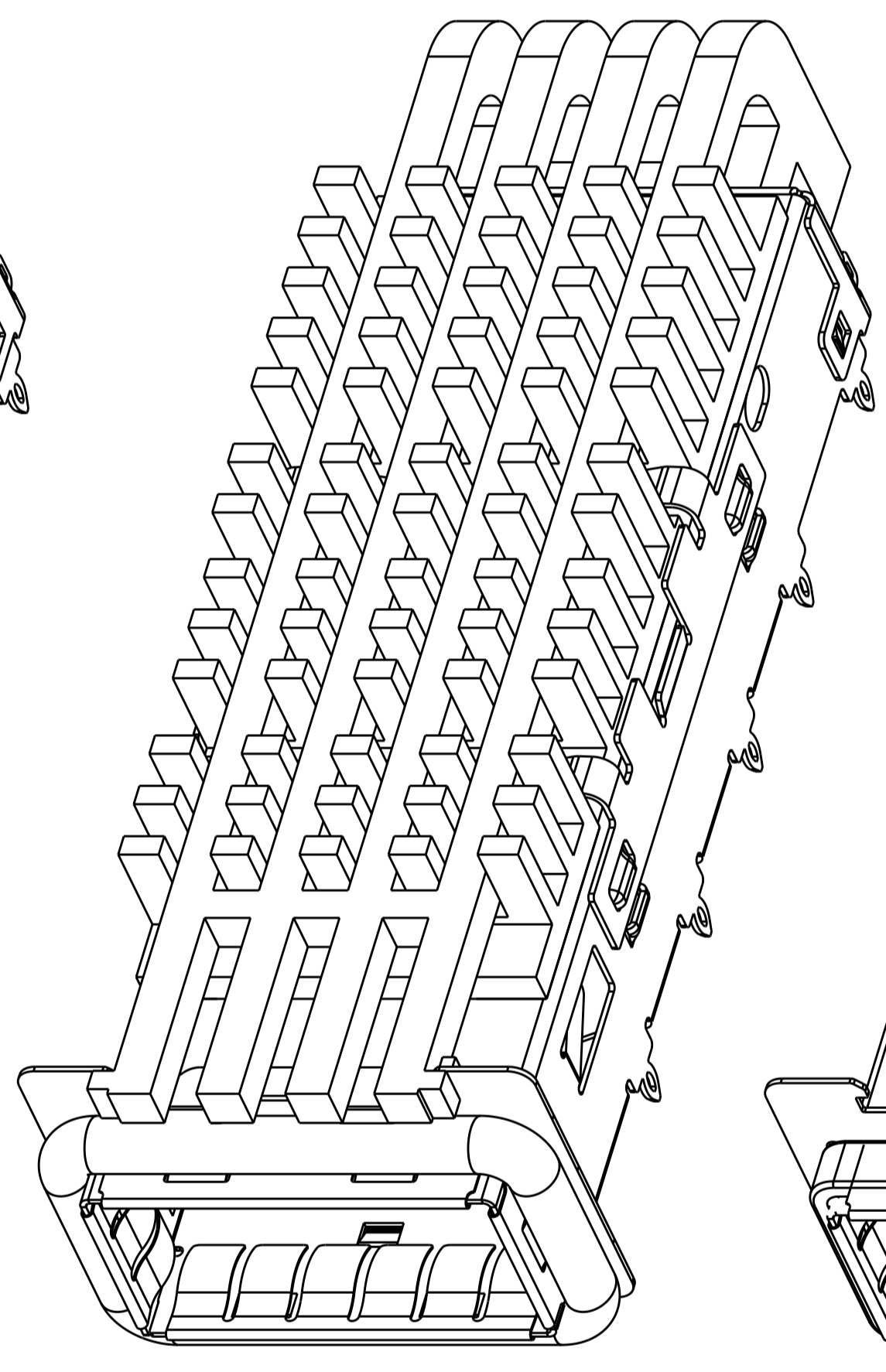
LOC	DIST	REVISIONS			
P.	LTN	DESCRIPTION	DATE	DWN	APVD
-	-	SEE SHEET 1	-	-	-



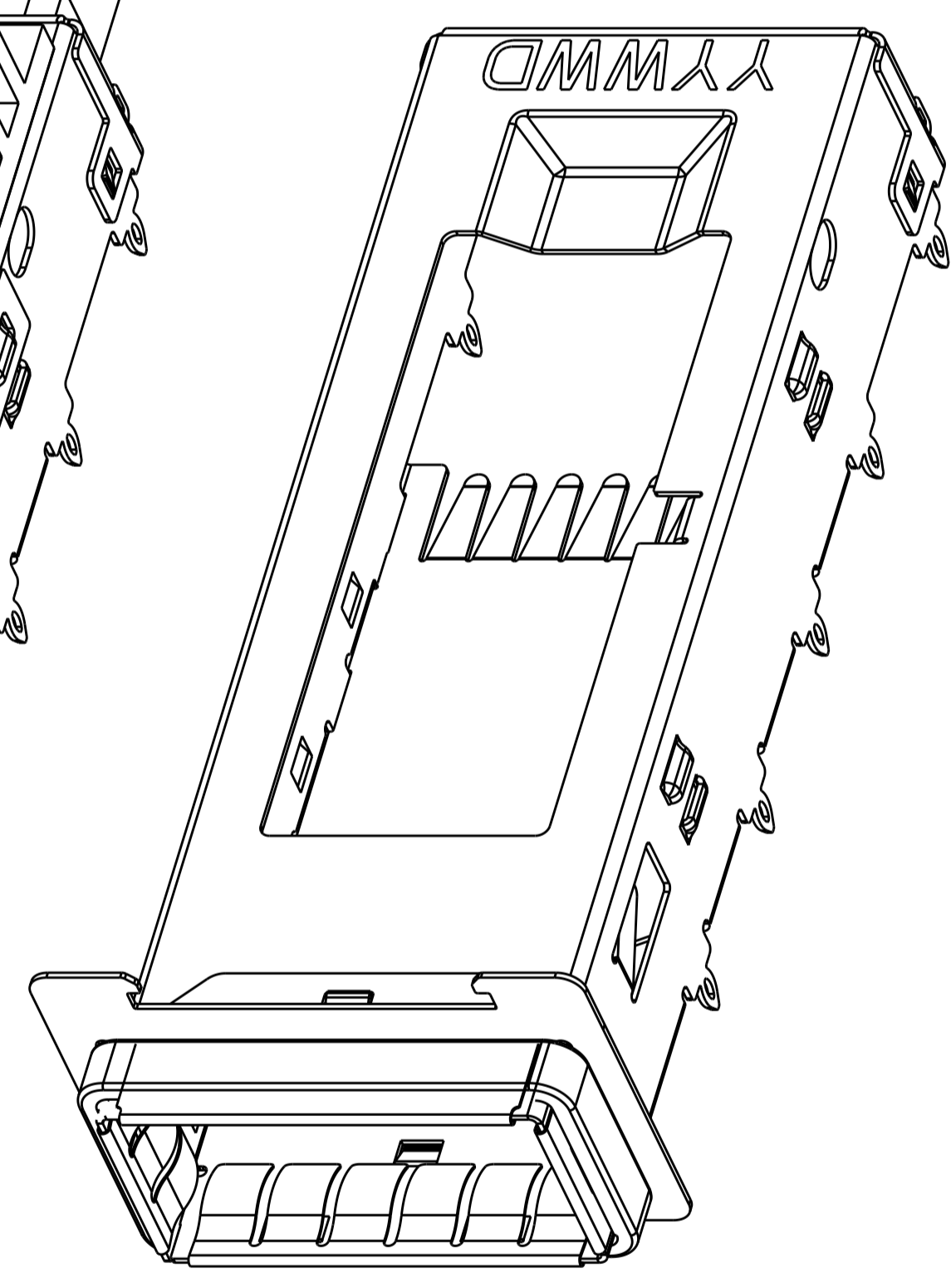
SCALE 4:1
2170539-1 AS SHOWN



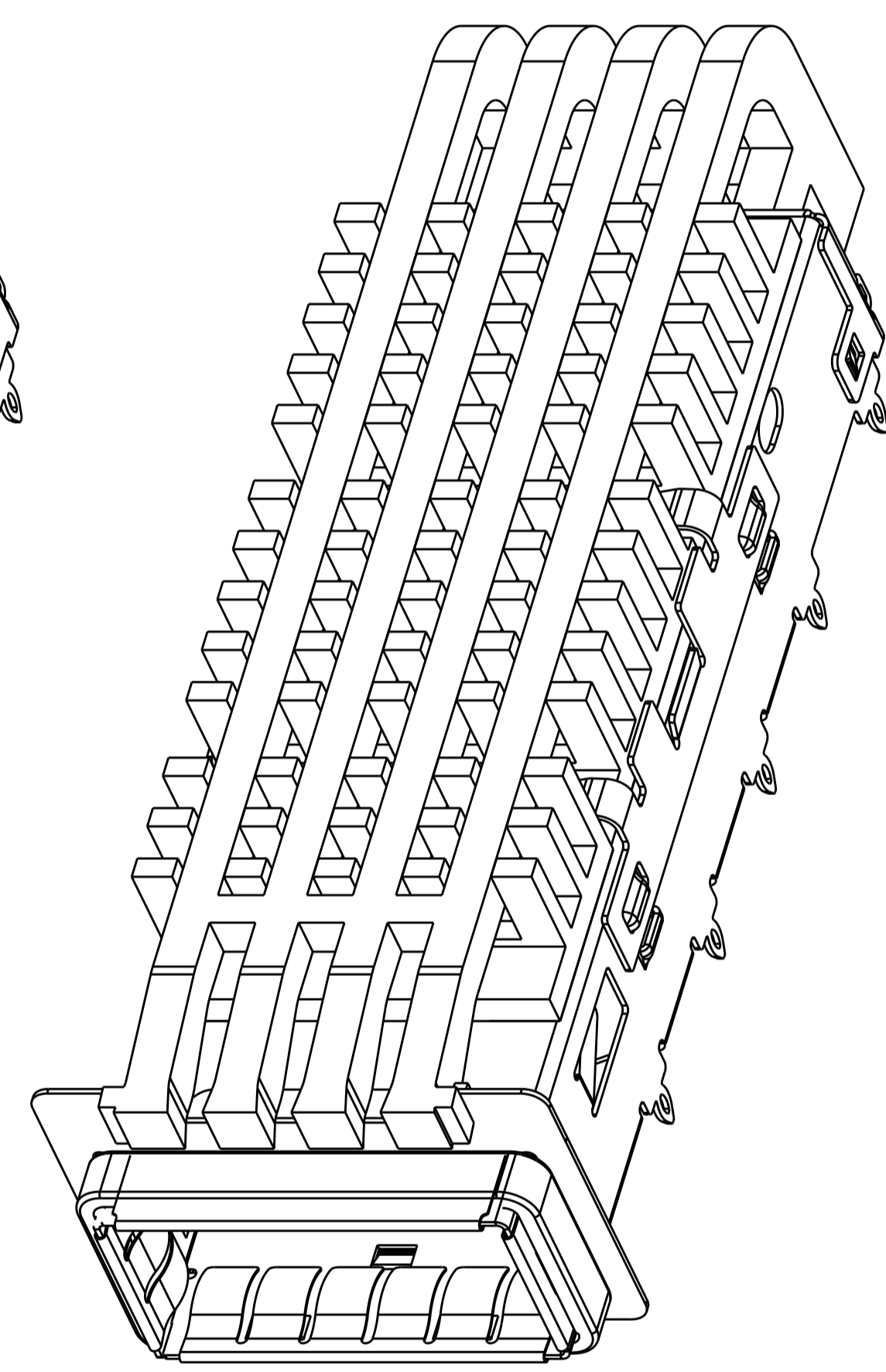
SCALE 4:1
2170539-2 AS SHOWN



SCALE 4:1
2170539-3 AS SHOWN



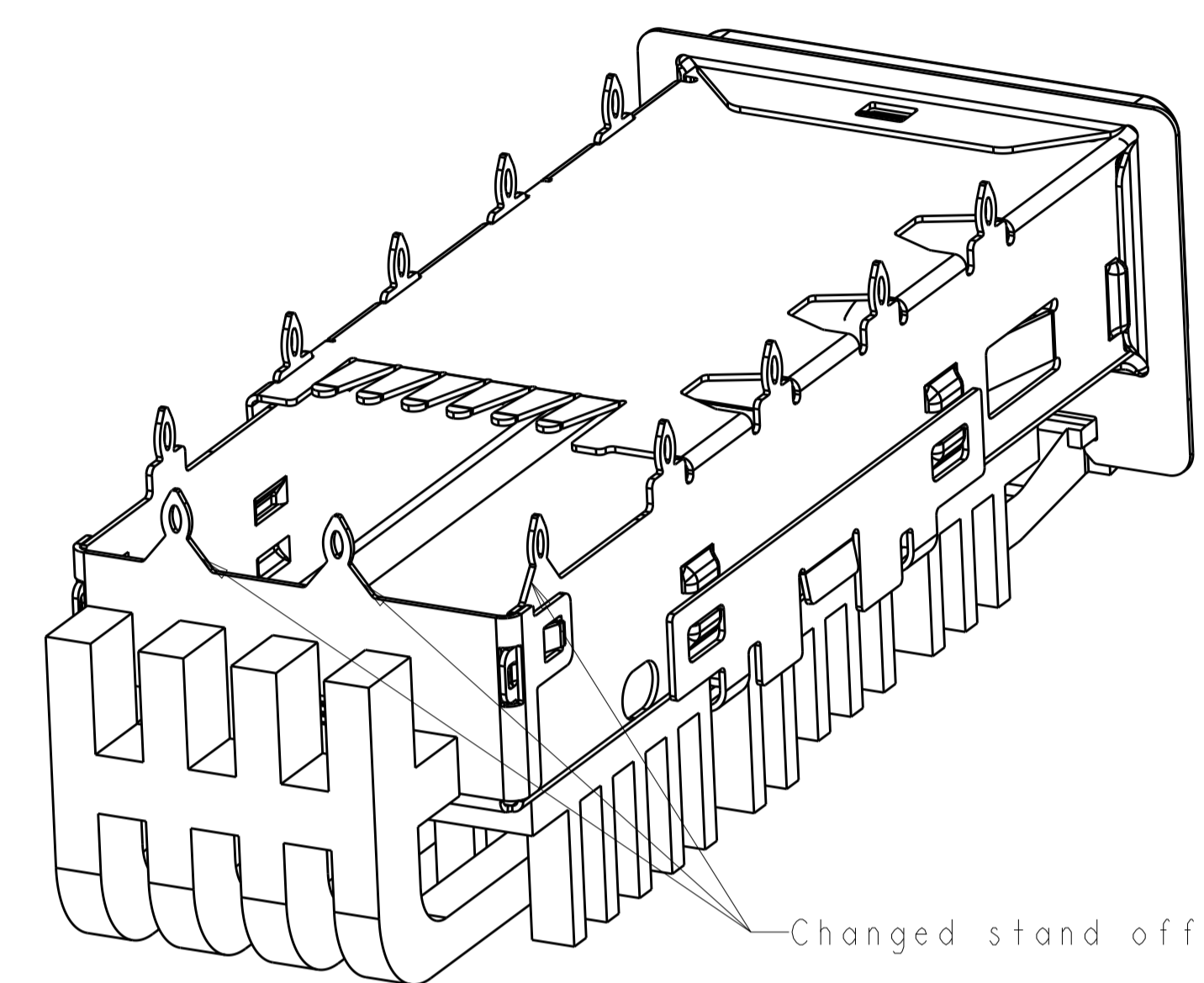
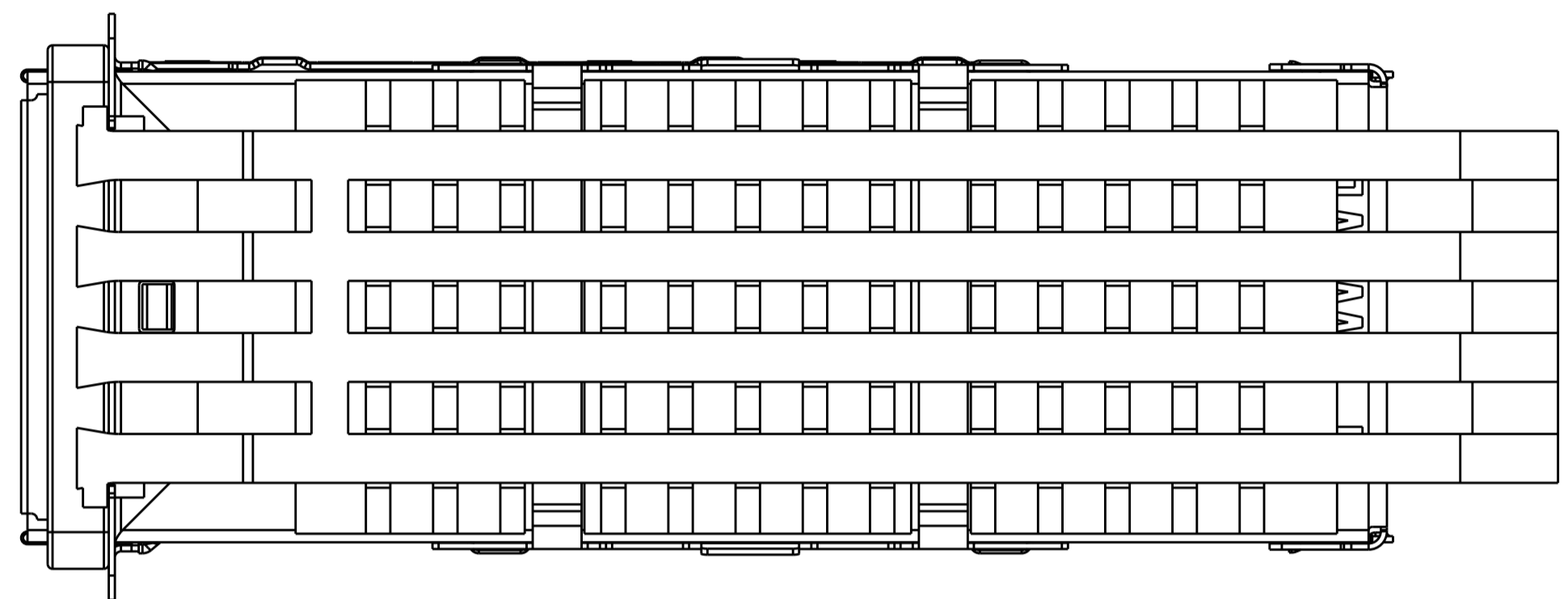
SCALE 4:1
2170539-4 AS SHOWN



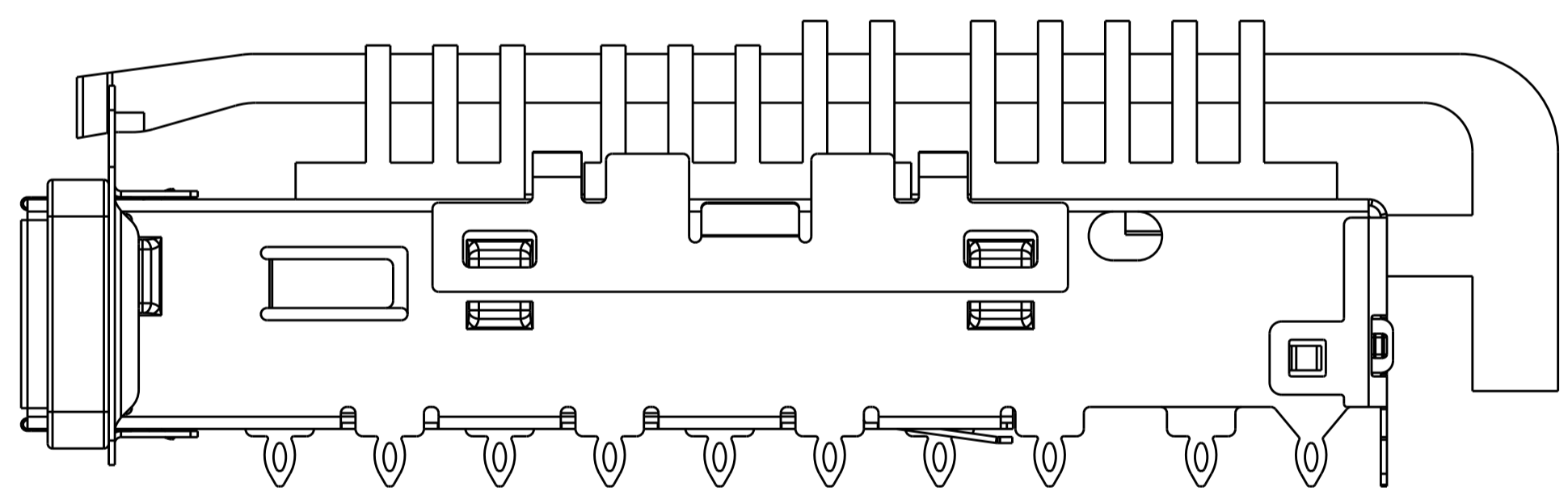
SCALE 4:1
2170539-5 AS SHOWN

THIS DRAWING IS A CONTROLLED DOCUMENT.		DWN TIM XUE 14MAY2013	
DIMENSIONS:		CHK JASON YANG 14MAY2013	
TOLERANCES UNLESS OTHERWISE SPECIFIED:		APVD ALEX CAI 14MAY2013	
mm	0 PLC ±0.5 2 PLC ±0.13 3 PLC ±0.013 4 PLC ±0.0001	PRODUCT SPEC 108-2286	NAME CAGE ASSEMBLY, QSFP+, W/ HEAT SINK, EMI GASKET AND LIGHT PIPE
		APPLICATION SPEC 114-13217	SIZE A100779C=2170539
MATERIAL	FINISH	WEIGHT	RESTRICTED TO
-	-	Customer Drawing	SCALE 4:1 SHEET 5 OF 6 REV A

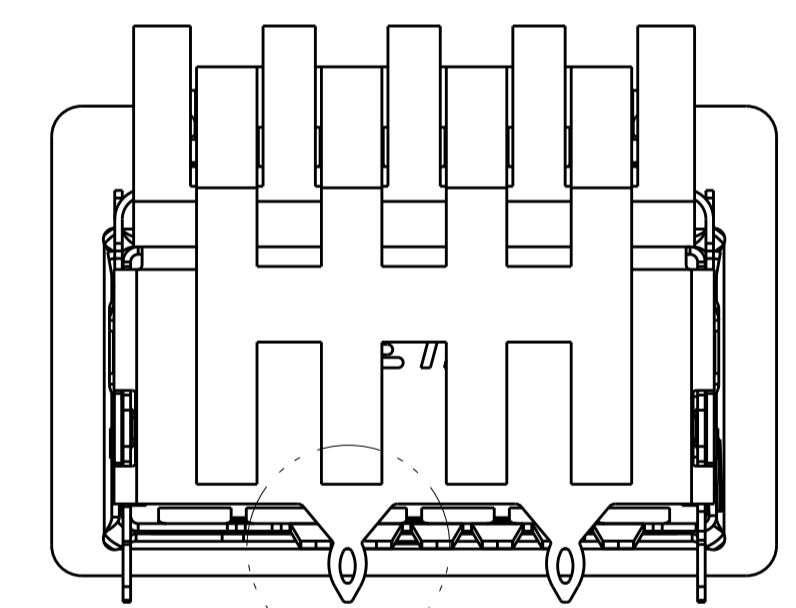
LOC	DIST	REVISIONS			
P.	LTN	DESCRIPTION	DATE	DWN	APVD
-	-	SEE SHEET 1	-	-	-



SCALE 4:1

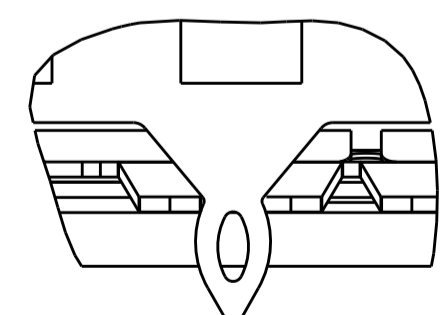


SCALE 4:1



SEE DETAIL A

2170539-6 ARE AS SHOWN, UN-SPECIFIED DIMENSIONS
 ALL REFER 2170539-1



DETAIL A
 SCALE 8:1

SAN HEAT SINK WITH TWO PIN HEIGHT, HEAT SINK CLIP HORN SHAPE LP & SOLID GASKET, CHANGED 3 STAND OFF SHAPE		2170539-6
DESCRIPTION		PART NO

THIS DRAWING IS A CONTROLLED DOCUMENT.		DWN TIM XUE 14MAY2013	TE Connectivity
DIMENSIONS:		CHK JASON YANG 14MAY2013	
mm	0 PLC ±0.5 2 PLC ±0.13 3 PLC ±0.013 4 PLC ±0.0001	APVD ALEX CAI 14MAY2013	NAME CAGE ASSEMBLY, QSFP+, W/ HEAT SINK, EMI GASKET AND LIGHT PIPE
TOLERANCES UNLESS OTHERWISE SPECIFIED:		PRODUCT SPEC 108-2286	SIZE 114-13217
MATERIAL		APPLICATION SPEC	RESTRICTED TO
FINISH		WEIGHT	A100779C=2170539
		Customer Drawing	SCALE 4:1 SHEET 6 OF 6 REV A

Компания «Life Electronics» занимается поставками электронных компонентов импортного и отечественного производства от производителей и со складов крупных дистрибьюторов Европы, Америки и Азии.

С конца 2013 года компания активно расширяет линейку поставок компонентов по направлению коаксиальный кабель, кварцевые генераторы и конденсаторы (керамические, пленочные, электролитические), за счёт заключения дистрибьюторских договоров

Мы предлагаем:

- Конкуренспособные цены и скидки постоянным клиентам.
- Специальные условия для постоянных клиентов.
- Подбор аналогов.
- Поставку компонентов в любых объемах, удовлетворяющих вашим потребностям.
- Приемлемые сроки поставки, возможна ускоренная поставка.
- Доставку товара в любую точку России и стран СНГ.
- Комплексную поставку.
- Работу по проектам и поставку образцов.
- Формирование склада под заказчика.
- Сертификаты соответствия на поставляемую продукцию (по желанию клиента).
- Тестирование поставляемой продукции.
- Поставку компонентов, требующих военную и космическую приемку.
- Входной контроль качества.
- Наличие сертификата ISO.

В составе нашей компании организован Конструкторский отдел, призванный помогать разработчикам, и инженерам.

Конструкторский отдел помогает осуществить:

- Регистрацию проекта у производителя компонентов.
- Техническую поддержку проекта.
- Защиту от снятия компонента с производства.
- Оценку стоимости проекта по компонентам.
- Изготовление тестовой платы монтаж и пусконаладочные работы.



Тел: +7 (812) 336 43 04 (многоканальный)
Email: org@lifeelectronics.ru