



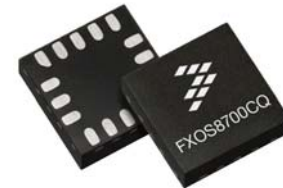
FXOS8700CQ, 6-Axis Sensor with Integrated Linear Accelerometer and Magnetometer

FXOS8700CQ is a small, low-power, 3-axis, linear accelerometer and 3-axis, magnetometer combined into a single package. The device features a selectable I²C or point-to-point SPI serial interface with 14-bit accelerometer and 16-bit magnetometer ADC resolution along with smart-embedded functions. FXOS8700CQ has dynamically selectable acceleration full scale ranges of $\pm 2 g/\pm 4 g/\pm 8 g$ and a fixed magnetic measurement range of $\pm 1200 \mu T$. Output data rates (ODR) from 1.563 Hz to 800 Hz are selectable by the user for each sensor. Interleaved magnetic and acceleration data is available at ODR rates of up to 400 Hz. FXOS8700CQ is available in a plastic QFN package and it is guaranteed to operate over the extended temperature range of $-40^{\circ}C$ to $+85^{\circ}C$.

Features

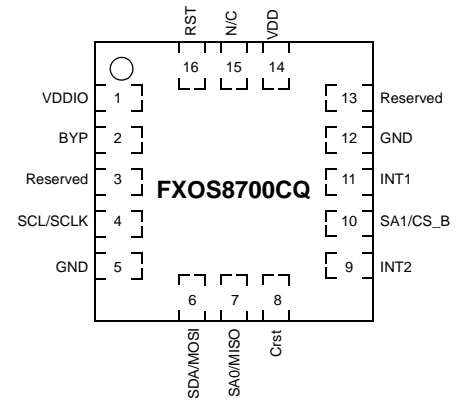
- Complete 6-axis, e-compass hardware solution
- 1.95 V to 3.6 V VDD supply voltage, 1.62 V to 3.6 V VDDIO voltage
- $\pm 2 g/\pm 4 g/\pm 8 g$ dynamically selectable acceleration full-scale range
- $\pm 1200 \mu T$ magnetic sensor full-scale range
- Output data rates (ODR) from 1.563 Hz to 800 Hz for each sensor, and up to 400 Hz when operated in hybrid mode with both sensors active
- Low noise: $< 126 \mu g/\sqrt{Hz}$ acceleration noise density at 200 Hz bandwidth, $< 100 nT/\sqrt{Hz}$ magnetic noise density at 100 Hz bandwidth
- 14-bit ADC resolution for acceleration measurements
- 16-bit ADC resolution for magnetic measurements
- Low power: 240 μA current consumption at 100 Hz, and 80 μA at 25 Hz with both sensors active
- Embedded programmable acceleration event functions:
 - Freefall and motion detection
 - Transient detection
 - Vector-magnitude change detection
 - Pulse and tap detection (single and double)
 - Orientation detection (portrait/landscape)
- Embedded programmable magnetic event functions:
 - Threshold detection
 - Vector-magnitude change detection
 - Autonomous magnetic min/max detection
 - Autonomous hard-iron calibration
- Programmable automatic ODR change using Auto-Wake and return to Sleep functions to save power. This function works with both magnetic and acceleration event interrupt sources.
- 32-sample FIFO for acceleration data only
- Integrated accelerometer and magnetometer self-test functions

FXOS8700CQ



CASE 98ASA00318D
 16 LEAD QFN
 3 mm x 3 mm x 1.2 mm

Top View



Pin Connections

Target Markets

- Smartphones, tablets, personal navigation devices, robotics, unmanned aerial vehicles (UAVs), and wrist watches with embedded electronic compass (e-compass) function.
- Medical applications: patient monitoring, fall detection, and rehabilitation

Applications

- E-Compass in mobile devices
- User interface (menu scrolling by orientation change, tap detection for button replacement)
- Orientation detection (portrait/landscape: up/down, left/right, back/front orientation identification)
- Augmented reality (AR), gaming, and real-time activity analysis (pedometry, freefall, and drop detection for hard disk drives and other devices)
- Power management for mobile devices using inertial and magnetic event detection
- Shock and vibration monitoring (mechatronic compensation, shipping, and warranty usage logging)

ORDERING INFORMATION			
Part Number	Temperature Range	Package Description	Shipping
FXOS8700CQR1	-40 °C to +85 °C	QFN	Tape and Reel

Related Documentation

The FXOS8700CQ device features and operations are described in a variety of reference manuals, user guides, and application notes. To find the most-current versions of these documents:

1. Go to the Freescale homepage at:

<http://www.freescale.com/>

2. In the Keyword search box at the top of the page, enter the device number FXOS8700CQ.

In the Refine Your Result pane on the left, click on the Documentation link.

Contents

1	Block Diagram	6
2	Pin Description	7
2.1	Soldering information	8
2.2	Orientation	9
3	Terminology	10
3.1	Sensitivity	10
3.2	Zero-g and Zero-Flux offset	10
3.3	Self-Test	10
4	Device Characteristics	11
4.1	Mechanical characteristics (accelerometer)	11
4.2	Magnetic characteristics (magnetometer)	12
4.3	Hybrid characteristics	12
4.4	Electrical characteristics	13
4.5	Absolute maximum ratings	15
5	Digital Interfaces	16
5.1	I ² C interface characteristics	16
5.1.1	General I ² C operation	17
5.1.2	I ² C Read/Write operations	17
5.2	SPI Interface characteristics	19
5.2.1	General SPI operation	19
5.2.2	SPI READ/WRITE operations	20
5.2.3	I ² C/SPI auto detection	20
5.2.4	Power supply sequencing and I ² C/SPI mode auto-detection	20
6	Modes of Operation	21
7	Embedded Functionality	22
7.1	Factory calibration	22
7.2	8-bit or 14-bit accelerometer data	22
7.3	Accelerometer low-power modes versus high-resolution modes	22
7.4	Auto-Wake/Sleep mode	23
7.5	Hybrid mode	23
7.6	Accelerometer Freefall and Motion event detection	23
7.6.1	Freefall detection	23
7.6.2	Motion detection	23
7.7	Transient detection	23
7.8	Pulse detection	24
7.9	Orientation detection	24
7.10	Acceleration Vector-Magnitude detection	24
7.11	Magnetic Vector-Magnitude detection	24
7.12	Magnetic Threshold detection	24
7.13	Magnetic Min/Max detection (autonomous calibration)	24
8	Register Map	25
9	Example FXOS8700CQ Driver Code	30
9.1	Introduction	30
9.2	FXOS8700CQ Addresses	30
9.3	Sensor data structure	30
9.4	FXOS8700CQConfiguration function	31
9.5	Data Read function	32
10	Registers by Functional Blocks	34
10.1	Device configuration	34
10.1.1	STATUS (0x00) register	34
10.1.2	DR_STATUS (0x00) register	34
10.1.3	F_STATUS (0x00) register	35
10.1.4	TRIG_CFG (0x0A) register	36
10.1.5	SYSMOD (0x0B) register	36
10.1.6	INT_SOURCE (0x0C) register	37
10.1.7	WHO_AM_I (0x0D) register	38
10.1.8	CTRL_REG1 (0x2A) register	38
10.1.9	CTRL_REG2 (0x2B) register	39
10.1.10	CTRL_REG3 [Interrupt Control Register] (0x2C) register	41
10.1.11	CTRL_REG4 [Interrupt Enable Register] (0x2D) register	42
10.1.12	CTRL_REG5 [Interrupt Routing Configuration Register] (0x2E) register	43
10.2	Auto-Sleep trigger	45
10.2.1	ASLP_COUNT (0x29) register	45

10.3	Temperature	46
10.3.1	TEMP (0x51) register	46
10.4	Accelerometer output data registers	47
10.4.1	OUT_X_MSB (0x01), OUT_X_LSB (0x02), OUT_Y_MSB (0x03), OUT_Y_LSB (0x04), OUT_Z_MSB (0x05), OUT_Z_LSB (0x06) registers	47
10.5	Accelerometer FIFO	48
10.5.1	F_SETUP (0x09) register	48
10.6	Accelerometer sensor data configuration	49
10.6.1	XYZ_DATA_CFG (0x0E) register	49
10.7	Accelerometer High-Pass filter	49
10.7.1	HP_FILTER_CUTOFF (0x0F) register	49
10.8	Portrait/Landscape Detection	51
10.8.1	PL_STATUS (0x10) register	52
10.8.2	PL_CFG (0x11) register	53
10.8.3	PL_COUNT (0x12) register	53
10.8.4	PL_BF_ZCOMP (0x13) register	54
10.8.5	PL_THS_REG (0x14) register	55
10.9	Freefall and Motion detection	55
10.9.1	A_FFMT_CFG (0x15) register	56
10.9.2	A_FFMT_SRC (0x16) register	57
10.9.3	A_FFMT_THS (0x17), A_FFMT_THS_X_MSB (0x73), A_FFMT_THS_X_LSB (0x74), A_FFMT_THS_Y_MSB (0x75), A_FFMT_THS_Y_LSB (0x76), A_FFMT_THS_Z_MSB (0x77), A_FFMT_THS_Z_LSB (0x78) registers	58
10.9.4	A_FFMT_COUNT (0x18) register	59
10.10	Accelerometer vector-magnitude function	61
10.10.1	A_VECM_CFG (0x5F) register	61
10.10.2	A_VECM_THS_MSB (0x60) register	62
10.10.3	A_VECM_THS_LSB (0x61) register	62
10.10.4	A_VECM_CNT (0x62) register	62
10.10.5	A_VECM_INITX_MSB (0x63) register	63
10.10.6	A_VECM_INITX_LSB (0x64) register	63
10.10.7	A_VECM_INITY_MSB (0x65) register	63
10.10.8	A_VECM_INITY_LSB (0x66) register	63
10.10.9	A_VECM_INITZ_MSB (0x67) register	63
10.10.10	A_VECM_INITZ_LSB (0x68) register	64
10.11	Transient (AC) acceleration detection	64
10.11.1	TRANSIENT_CFG (0x1D) register	64
10.11.2	TRANSIENT_SRC (0x1E) register	65
10.11.3	TRANSIENT_THS (0x1F) register	66
10.11.4	TRANSIENT_COUNT (0x20) register	66
10.12	Pulse detection	67
10.12.1	PULSE_CFG (0x21) register	67
10.12.2	PULSE_SRC (0x22) register	68
10.12.3	PULSE_THSX (0x23) register	68
10.12.4	PULSE_THSY (0x24) register	69
10.12.5	PULSE_THSZ (0x25) register	69
10.12.6	PULSE_TMLT (0x26) register	69
10.12.7	PULSE_LTCY (0x27) register	70
10.12.8	PULSE_WIND (0x28) register	71
10.13	Accelerometer offset correction	72
10.13.1	OFF_X (0x2F) register	72
10.13.2	OFF_Y (0x30) register	72
10.13.3	OFF_Z (0x31) register	72
10.14	Magnetometer data registers	73
10.14.1	M_DR_STATUS (0x32) register	73
10.14.2	M_OUT_X_MSB (0x33), M_OUT_X_LSB (0x34), M_OUT_Y_MSB (0x35), M_OUT_Y_LSB (0x36), M_OUT_Z_MSB (0x37), M_OUT_Z_LSB (0x38) registers	74
10.14.3	CMP_X_MSB (0x39), CMP_X_LSB (0x3A), CMP_Y_MSB (0x3B), CMP_Y_LSB (0x3C), CMP_Z_MSB (0x3D), CMP_Z_LSB (0x3E) registers	74
10.14.4	MAX_X_MSB (0x45), MAX_X_LSB (0x46), MAX_Y_MSB (0x47), MAX_Y_LSB (0x48), MAX_Z_MSB (0x49), MAX_Z_LSB (0x4A) registers	75
10.14.5	MIN_X_MSB (0x4B), MIN_X_LSB (0x4C), MIN_Y_MSB (0x4D), MIN_Y_LSB (0x4E), MIN_Z_MSB (0x4F), MIN_Z_LSB (0x50) registers	76

10.15 Magnetometer offset correction	77
10.15.1 M_OFF_X_MSB (0x3F), M_OFF_X_LSB (0x40), M_OFF_Y_MSB (0x41), M_OFF_Y_LSB (0x42), M_OFF_Z_MSB (0x43), M_OFF_Z_LSB (0x44) registers	77
10.16 Magnetometer threshold function	78
10.16.1 M_THS_CFG (0x52) register	78
10.16.2 M_THS_SRC (0x53) register	79
10.16.3 M_THS_X_MSB (0x54), M_THS_X_LSB (0x55), M_THS_Y_MSB (0x56), M_THS_Y_LSB (0x57), M_THS_Z_MSB (0x58), M_THS_Z_LSB (0x59) registers	80
10.16.4 M_THS_COUNT (0x5A) register	81
10.17 Magnetometer control registers	82
10.17.1 M_CTRL_REG1 (0x5B) register	82
10.17.2 M_CTRL_REG2 (0x5C) register	83
10.17.3 M_CTRL_REG3 (0x5D) register	84
10.17.4 M_INT_SRC (0x5E) register	84
10.18 Magnetometer vector-magnitude function	85
10.18.1 M_VECM_CFG (0x69) register	85
10.18.2 M_VECM_THS_MSB (0x6A) register	86
10.18.3 M_VECM_THS_LSB (0x6B) register	86
10.18.4 M_VECM_CNT (0x6C) register	86
10.18.5 M_VECM_INITX_MSB (0x6D) register	87
10.18.6 M_VECM_INITX_LSB (0x6E) register	87
10.18.7 M_VECM_INITY_MSB (0x6F) register	87
10.18.8 M_VECM_INITY_LSB (0x70) register	87
10.18.9 M_VECM_INITZ_MSB (0x71) register	88
10.18.10 M_VECM_INITZ_LSB (0x72) register	88
11 Mounting Guidelines for the Quad Flat No-Lead (QFN) Package	89
11.1 Overview of soldering considerations	89
11.2 Halogen content	89
11.3 PCB mounting recommendations	89
12 Package Thermal Characteristics	91
13 Package	92
14 Revision History	95

1 Block Diagram

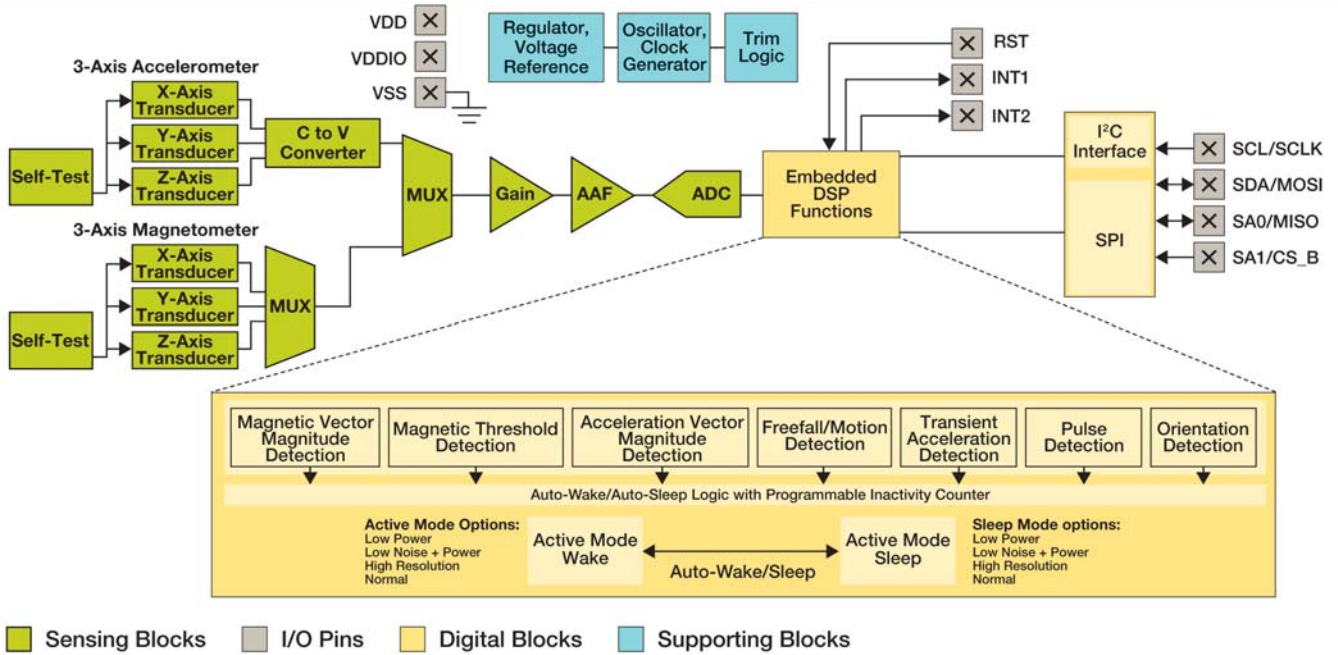
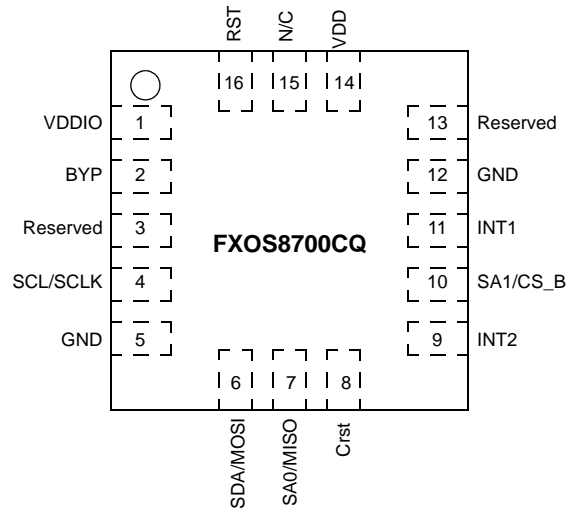


Figure 1. Block diagram

2 Pin Description



Top View
16 Lead QFN-COL
3 mm x 3 mm x 1.2 mm

Figure 2. Pinout diagram

Table 1. Pin Description

Pin	Name	Function
1	VDDIO	Interface supply voltage
2	BYP	Internal regulator output bypass capacitor connection
3	Reserved	Test reserved, connect to GND
4	SCL/SCLK	I ² C Serial Clock/SPI Clock ⁽¹⁾
5	GND	Ground
6	SDA/MOSI	I ² C Serial Data/SPI Master Out, Slave In ⁽¹⁾⁽²⁾
7	SA0/MISO	I ² C address selection bit 0/SPI Master In, Slave Out ⁽¹⁾⁽²⁾⁽³⁾
8	Crst	Magnetic reset capacitor
9	INT2	Interrupt 2
10	SA1/CS_B	I ² C address selection bit 1/SPI Chip Select (active low) ⁽²⁾⁽³⁾
11	INT1	Interrupt 1
12	GND	Ground
13	Reserved	Test reserved, connect to GND
14	VDD	Sensor supply voltage
15	N/C	Not connected internally
16	RST ⁽²⁾	Reset input, active high. Connect to GND if unused

1. Refer to [Section 5.2.1](#) regarding point-to-point SPI operation.

2. Refer to [Section 5.2.3](#) regarding SPI bus requirements during 1 ms period following a reset.

3. Refer to [Table 10](#) for I²C address options selectable using the SA0 and SA1 pins.

Device power is supplied through the VDD pin. Power supply decoupling capacitors (100 nF ceramic plus 4.7 μF bulk) should be placed as close as possible to pin 14 of the device. The digital interface supply voltage (VDDIO) should be decoupled with a 100 nF ceramic capacitor placed as close as possible to pin 1 of the device.

The digital control signals SCL, SDA, SA0, SA1, and RST are not tolerant of voltages exceeding VDDIO + 0.3 V. If VDDIO is removed, these pins will clamp any logic signals through their internal ESD protection diodes. The function and timing of the two interrupt pins (INT1 and INT2) are user programmable through the I²C/SPI interface. The SDA and SCL I²C connections are open drain and therefore require a pullup resistor as shown in the application diagram in Figure 3. The INT1 and INT2 pins may also be configured for open-drain operation. If they are configured for open drain, external pullup resistors are required.

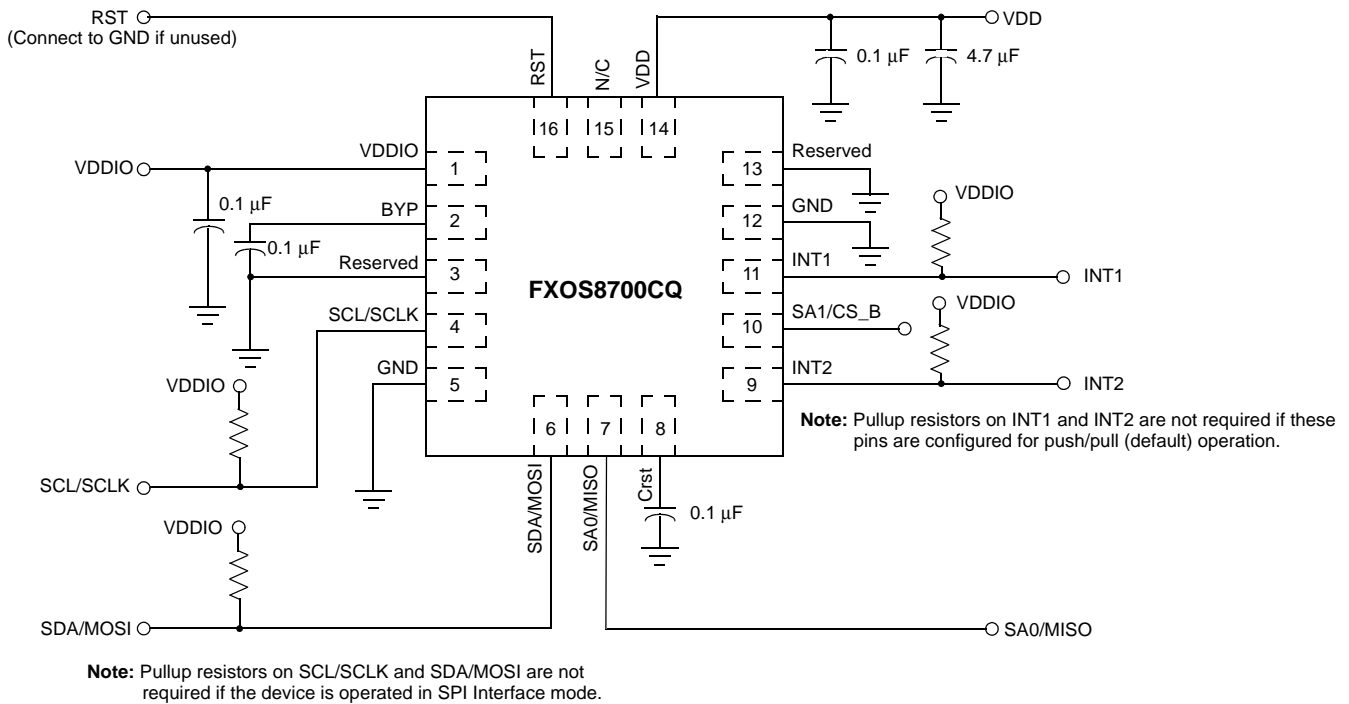


Figure 3. Electrical connection

2.1 Soldering information

The QFN package is compliant with the RoHS standards. Please refer to Freescale application note AN4077 for more information.

2.2 Orientation

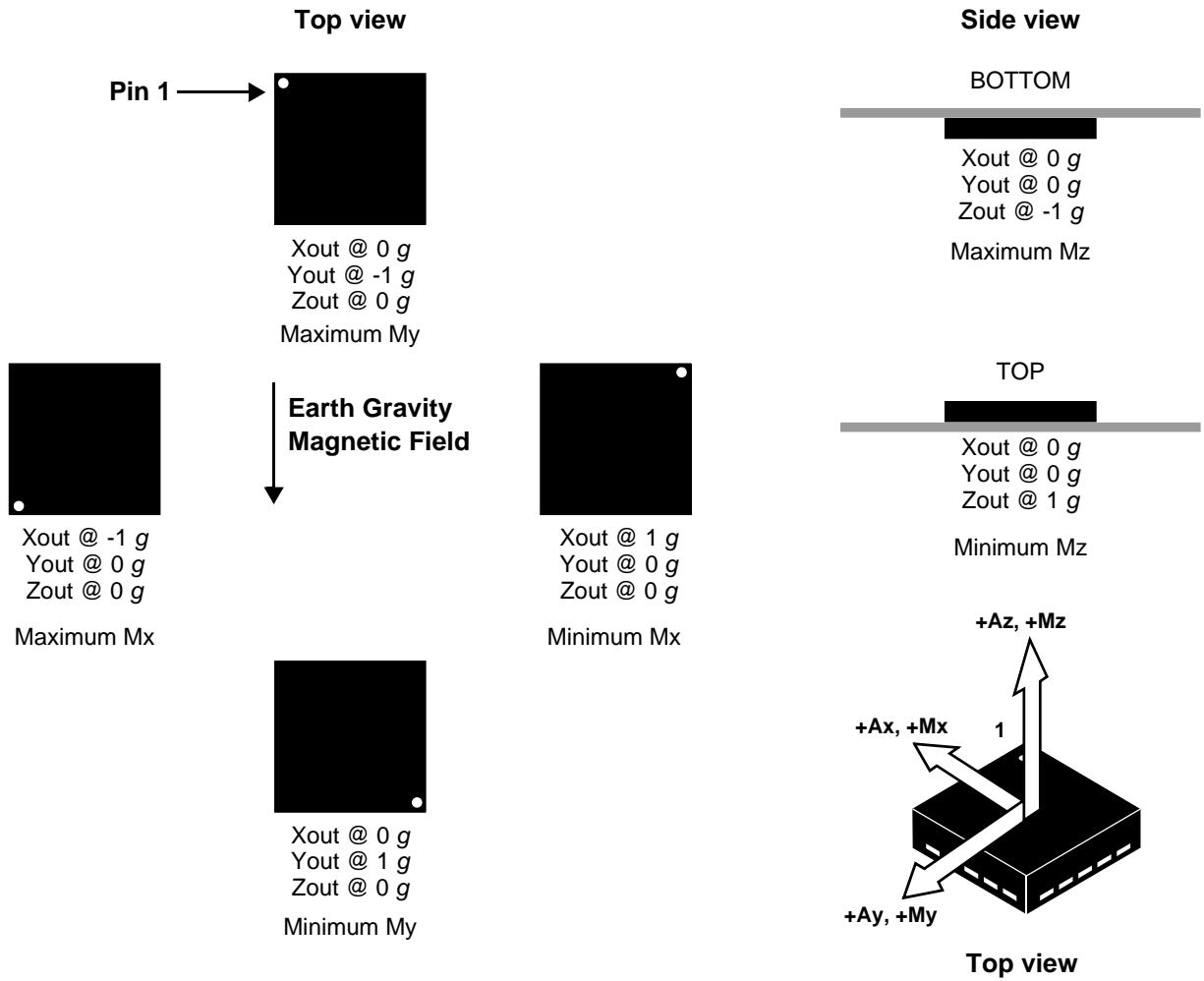


Figure 4. Product orientation and axis orientation

3 Terminology

3.1 Sensitivity

Sensitivity is represented in mg/LSB for the accelerometer and $\mu\text{T}/\text{LSB}$ for the magnetometer. The magnetometer sensitivity is fixed at $0.1 \mu\text{T}/\text{LSB}$. The accelerometer sensitivity changes with the full-scale range selected by the user. Accelerometer sensitivity is $0.244 \text{ mg}/\text{LSB}$ in $2 g$ mode, $0.488 \text{ mg}/\text{LSB}$ in $4 g$ mode, and $0.976 \text{ mg}/\text{LSB}$ in $8 g$ mode.

3.2 Zero-g and Zero-Flux offset

For the accelerometer, zero-g offset describes the deviation of the output values from the ideal values when the sensor is stationary. With an accelerometer stationary on a level horizontal surface, the ideal output is $0 g$ for the X and Y axes, and $1 g$ for the Z-axis. The deviation of each output from the ideal value is called zero-g offset. Offset is to some extent a result of stress on the sensor, and therefore, can slightly change after mounting the sensor onto a printed circuit board or exposing it to extensive mechanical stress. For the magnetometer, zero-flux offset describes the deviation of the output signals from zero when the device is shielded from external magnetic field sources (that is, inside a zero-gauss chamber).

3.3 Self-Test

Self-Test can be used to verify the transducer and signal chain functionality without the need to apply an acceleration or magnetic field stimulus. When the accelerometer self-test is activated, an electrostatic actuation force is applied to the sensor, simulating a small acceleration. In this case the sensor X, Y, Z outputs will exhibit a change in DC levels related to the selected full-scale range (sensitivity). When self-test is activated, the device output level is given by the algebraic sum of the signals produced by the acceleration acting on the sensor and by the electrostatic self-test force. When self-test is activated for the magnetometer, an internal magnetic field is generated along the X, Y and Z axes. The sensor response will be the sum of the ambient magnetic field and the self-test induced field.

4 Device Characteristics

4.1 Mechanical characteristics (accelerometer)

Table 2. Mechanical characteristics @ VDD = 2.5 V, VDDIO = 1.8 V T = 25 °C unless otherwise noted.

Parameter	Test Conditions	Symbol	Min	Typ	Max	Unit
Measurement range ⁽¹⁾	±2 g mode	FS _{ACC}		±2		g
	±4 g mode			±4		
	±8 g mode			±8		
Sensitivity	±2 g mode	SEN _{ACC}		4096		LSB/g
				0.244		mg/LSB
	±4 g mode			2048		LSB/g
				0.488		mg/LSB
	±8 g mode			1024		LSB/g
			0.976		mg/LSB	
Sensitivity change with temperature ⁽¹⁾	±2 g, ±4 g, ±8 g modes	TCS _{ACC}		±0.01		%/°C
Sensitivity accuracy	@ 25 °C	SEN-TOL _{ACC}		±2.5		%SEN _{ACC}
Zero-g level offset accuracy ⁽²⁾	±2 g, ±4 g, ±8 g modes	OFF _{ACC}		±20		mg
Zero-g level offset accuracy post-board mount ⁽³⁾	±2 g, ±4 g, ±8 g modes	OFF _{ACC-PBM}		±30		mg
Zero-g level change versus temperature	-40 °C to 85 °C ⁽¹⁾	TCO _{ACC}		±0.2		mg/°C
Nonlinearity (deviation from straight line) ⁽⁴⁾⁽⁵⁾	Over ±1 g range normal mode	NL _{ACC}		±0.5		%FS _{ACC}
change ⁽⁶⁾ X Y Z	Set to ±2 g mode	STOC _{ACC}	+192 +270 +1275			LSB
Output noise density ⁽⁴⁾⁽⁷⁾	ODR = 400 Hz, normal mode	ND _{ACC-NM}		126		µg/√Hz
	ODR = 400 Hz, low-noise mode ⁽¹⁾	ND _{ACC-LNM}		99		µg/√Hz
Operating temperature range		Top	-40		+85	°C

- Dynamic range is limited to ±4 g when in the low-noise mode.
- Before board mount.
- Post-board mount offset specifications are based on a 2-layer PCB design.
- Evaluation only.
- After post-board mount corrections for sensitivity, cross axis and offset. Refer to AN4399 for more information.
- Self-test is only exercised along one direction for each sensitive axis.
- Measured using earth's gravitational field (1 g) with the device oriented horizontally (+Z axis up) and stationary.

4.2 Magnetic characteristics (magnetometer)

Table 3. Magnetic characteristics @ VDD = 2.5 V, VDDIO = 1.8 V T = 25 °C unless otherwise noted.

Parameter	Test Conditions	Symbol	Min	Typ	Max	Unit
Measurement range		FS _{MAG}	±1200			μT
Sensitivity		SEN _{MAG}		0.1		μT/LSB
Sensitivity change versus temperature		TCS _{MAG}		±0.1		%/°C
Zero-flux offset accuracy ⁽¹⁾		OFF _{MAG}		±10		μT
Zero-flux offset change with temperature		TCO _{MAG}		±0.8		μT/°C
Hysteresis ⁽²⁾⁽³⁾		HYST _{MAG}		±0.5		%FS _{MAG}
Nonlinearity ⁽³⁾ Deviation from best-fit straight line		NL _{MAG}		±1		%FS _{MAG}
Temperature sensor sensitivity				0.96		°C/LSB
Magnetometer output noise	ODR = 800 Hz, OSR = 2	Noise _{MAG}		1.5		μT-rms
	ODR = 400 Hz, OSR = 4			1.2		
	ODR = 200 Hz, OSR = 8			0.85		
	ODR = 100 Hz, OSR = 16			0.6		
	ODR = 50 Hz, OSR = 32			0.5		
	ODR = 12.5 Hz, OSR = 128			0.35		
	ODR = 6.25 Hz, OSR = 256			0.3		
	ODR = 1.56 Hz, OSR = 1024			0.3		
Self-Test output change ⁽¹⁾⁽⁴⁾	X-axis	STOC _{MAG}	1161			LSB
	Y-axis		-1130			LSB
	Z-axis		-43			LSB
Operating temperature range		Top	-40		+85	°C

1. After m-cell has been factory trimmed
2. Hysteresis is measured by sweeping the applied magnetic field from -1000 μT to 1000 μT and then back to -1000 μT. The difference in the two readings at -1000 μT divided by the swept field range is the hysteresis figure, expressed in% of the full-scale range (FS_{MAG}).
3. Tested over a ±1000 μT measurement range.
4. Minimum offset is shown with polarity. This means that the actual offset can be a smaller number for negative figures.

4.3 Hybrid characteristics

Table 4. Hybrid characteristics @ VDD = 2.5 V, VDDIO = 1.8 V T = 25 °C unless otherwise noted.

Parameter	Test Conditions	Symbol	Min	Typ	Max	Unit
Maximum output data rate in hybrid mode		ODR _{max}		400		Hz
Operating temperature range		Top	-40		+85	°C
Output data bandwidth		BW		ODR/2		Hz

4.4 Electrical characteristics

Table 5. Electrical characteristics @ VDD = 2.5 V, VDDIO = 1.8 V T = 25 °C unless otherwise noted.

Parameter	Test Conditions	Symbol	Min	Typ	Max	Unit
Supply voltage		VDD	1.95	2.5	3.6	V
Interface supply voltage		VDDIO	1.62	1.8	3.6	V
Low-power acceleration mode	ODR = 12.5 Hz	I _{dd} ACC-LPM		8		μA
	ODR = 100 Hz			35		
	ODR = 400 Hz			130		
Normal acceleration mode	ODR = 50 Hz	I _{dd} ACC-NM		35		μA
	ODR = 200 Hz			130		
	ODR = 800 Hz			240		
Hybrid mode	ODR = 200 Hz Accelerometer OSR = 4 Magnetometer OSR = 2	I _{dd} ACC+MAG		440		μA
	ODR = 100 Hz Accelerometer OSR = 4 Magnetometer OSR = 2			240		
	ODR = 25 Hz Accelerometer OSR = 4 Magnetometer OSR = 2			80		
Magnetic mode	ODR = 400 Hz, OSR = 2	I _{dd} MAG		575		μA
	ODR = 12.5 Hz, OSR = 2			40		
Current during boot sequence, 0.9 mS max duration using recommended regulator bypass capacitor	VDD = 2.5 V	I _{dd} BOOT			3	mA
Value of capacitors on BYP and magnetic reset pins	-40 °C to 85 °C	C _{BYP} C _{RST}	75	100	470	nF
Standby mode current @ 25 °C	Standby mode	I _{dd} STBY		2		μA
Standby mode current over-temperature range	Standby mode	I _{dd} STBY			10	μA
Digital high-level input voltage RST pin		V _{IH} RST	1.04			V
Digital low-level input voltage RST pin		V _{IL} RST			0.68	V
Digital high-level input voltage SCL, SDA, SA0, SA1		V _{IH}	0.75*VDDIO			V
Digital low-level input voltage SCL, SDA, SA0, SA1		V _{IL}			0.3*VDDIO	V
High-level output voltage INT1, INT2	I _O = 500 μA	V _{OH}	0.9*VDDIO			V
Low-level output voltage INT1, INT2	I _O = 500 μA	V _{OL}			0.1*VDDIO	V
Low-level output voltage SDA	I _O = 500 μA	V _{OL} SDA			0.1*VDDIO	V
SCL, SDA pin leakage	25 °C			1.0		nA
	-40 °C to 85 °C			4.0		
SCL, SDA pin capacitance				3		pf
VDD rise time			0.001		1000	ms
Boot time ⁽¹⁾		T _{BOOT}			1000	μs
Turn-on time 1 ⁽²⁾		T _{POR→ACT}		2/ODR + 2		ms
Turn-on time 2 ⁽³⁾		T _{STBY→ACT}		2/ODR + 1		ms
Operating temperature range		T _{OP}	-40		+85	°C

1. Time from VDDIO on and VDD > VDD min until I²C/SPI interface ready for operation.

2. Time to obtain valid data from power-down mode to Active mode.

3. Time to obtain valid data from Standby mode to Active mode.

Values in the following table are based on limited number of samples and are for reference only. Output data rates do not exist for the shaded cells.

Table 6. IDD (μ A) table versus operating modes (VDD + VDDIO), VDD = VDDIO = 2.4 V

Mode	Acc only		Mag only		Hybrid		
	NM	LP	OS0	OS7	NM/OS0	LP/OS0	NM/OS7
800	239	239	1072	1072			
400	239	121	552	1002	648	647	648
200	121	62	289	966	412	339	607
100	68	33	156	947	220	183	512
50	33	18	90	939	123	105	465
25					74	66	442
12.5	33	7	37	932			
6.25	33	7	37	931	51	35	437
3.125					51	35	437
1.5625	33	7	36	931			
0.78125					51	35	436
stby	2						

NM = Accelerometer OSR Normal Mode (CTRL_REG2[mods] = 0b00).

LP = Accelerometer OSR Low Power (CTRL_REG2[mods] = 0b11).

OS0 = Magnetometer OSR set to 0 (M_CTRL_REG1[m_os] = 0b000).

OS7 = Magnetometer OSR set to 7 (M_CTRL_REG1[m_os] = 0b111).

4.5 Absolute maximum ratings

Stresses above those listed as “absolute maximum ratings” may cause permanent damage to the device. This is a stress rating only and functional operation of the device under these conditions is not implied. Exposure to maximum rating conditions for extended periods may affect device reliability.

Freescale recommends that customers using magnetic sensor components adopt industry standard safe handling practices and procedures for magnetic products. To avoid potential damage to the magnetic transducer contained within this product, it is recommended to only handle the device with non-magnetic tools and fixtures.

Table 7. Maximum ratings

Rating	Symbol	Value	Unit
Maximum acceleration (all axes, 100 μ s)	g_{max}	5,000	g
Supply voltage, IO voltage	$VDD_{max}/VDDIO_{max}$	-0.3 to +3.6	V
Input voltage on any control pin (SA0/MISO, SA1/CS_B, SCL/SCLK, SDA/MOSI, RST)	VIN_{max}	-0.3 to $VDDIO + 0.3$	V
Drop-Test height	D_{drop}	1.8	m
Maximum exposed magnetic field without perming (sensor characteristics may be restored using the magnetic reset function)		10,000	μ T
Maximum exposed field without permanent damage		0.1	T
Storage temperature range	T_{STG}	-40 to +125	$^{\circ}$ C

Table 8. ESD and latchup protection characteristics

Rating	Symbol	Value	Unit
Human Body Model	HBM	\pm 2000	V
Machine Model	MM	\pm 200	V
Charge Device Model	CDM	\pm 500	V
Latchup current at $T = 85^{\circ}$ C	I_{LU}	\pm 100	mA



This device is sensitive to mechanical shock. Improper handling can cause permanent damage to the part or cause the part to otherwise fail.



This device is sensitive to ESD, improper handling can cause permanent damage to the part.

5 Digital Interfaces

5.1 I²C interface characteristics

Table 9. I²C slave timing values⁽¹⁾

Parameter	Symbol	I ² C Fast Mode		Unit
		Min	Max	
SCL Clock Frequency	f_{SCL}	0	400	kHz
Bus Free Time between STOP and START condition	t_{BUF}	1.3		μ s
(Repeated) START Hold Time	$t_{HD;STA}$	0.6		μ s
(Repeated) START Setup Time	$t_{SU;STA}$	0.6		μ s
STOP Condition Setup Time	$t_{SU;STO}$	0.6		μ s
SDA Data Hold Time	$t_{HD;DAT}$	0.05	0.9 ⁽²⁾	μ s
SDA Valid Time ⁽³⁾	$t_{VD;DAT}$		0.9 ⁽²⁾	μ s
SDA Valid Acknowledge Time ⁽⁴⁾	$t_{VD;ACK}$		0.9 ⁽²⁾	μ s
SDA Setup Time	$t_{SU;DAT}$	100		ns
SCL Clock Low Time	t_{LOW}	1.3		μ s
SCL Clock High Time	t_{HIGH}	0.6		μ s
SDA and SCL Rise Time	t_r	$20 + 0.1 C_b^{(5)}$	300	ns
SDA and SCL Fall Time	t_f	$20 + 0.1 C_b^{(5)}$	300	ns
Pulse width of spikes on SDA and SCL that must be suppressed by internal input filter	t_{SP}	0	50	ns

1. All values referred to VIH (min) and VIL (max) levels.
2. This device does not stretch the LOW period (t_{LOW}) of the SCL signal.
3. $t_{VD;DAT}$ = time for Data signal from SCL LOW to SDA output.
4. $t_{VD;ACK}$ = time for Acknowledgement signal from SCL LOW to SDA output (HIGH or LOW, depending on which one is worse).
5. C_b = total capacitance of one bus line in pF.

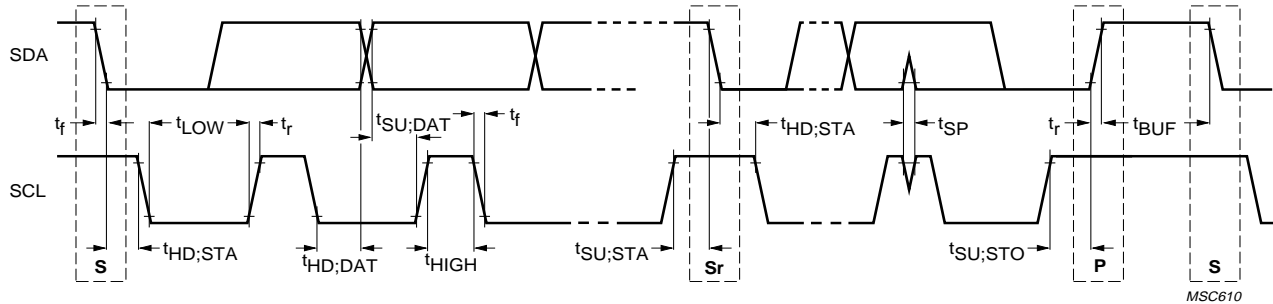


Figure 5. I²C slave timing diagram

5.1.1 General I²C operation

There are two signals associated with the I²C bus: the Serial Clock Line (SCL) and the Serial Data line (SDA). The latter is a bidirectional line used for sending and receiving the data to/from the interface. External pullup resistors connected to VDDIO are required for SDA and SCL. When the bus is free both the lines are high. The I²C interface is compliant with fast mode (400 kHz), and normal mode (100 kHz) I²C standards. Operation at frequencies higher than 400 kHz is possible, but depends on several factors including the pullup resistor values, and total bus capacitance (trace + device capacitance). See Table 10 for more information.

A transaction on the bus is started through a start condition (ST) signal, which is defined as a HIGH-to-LOW transition on the data line while the SCL line is held HIGH. After the ST signal has been transmitted by the master, the bus is considered busy. The next byte of data transmitted contains the slave address in the first seven bits, and the eighth bit, the read/write bit, indicates whether the master is receiving data from the slave or transmitting data to the slave. When an address is sent, each device in the system compares the first seven bits after the ST condition with its own address. If they match, the device considers itself addressed by the master. The ninth clock pulse, following the slave address byte (and each subsequent byte) is the acknowledge (ACK). The transmitter must release the SDA line during the ACK period. The receiver must then pull the data line low so that it remains stable low during the high period of the acknowledge clock period.

The number of bytes per transfer is unlimited. If a receiver can't receive another complete byte of data until it has performed some other function, it can hold the clock line, SCL low to force the transmitter into a wait state. Data transfer only continues when the receiver is ready for another byte and releases the data line. This delay action is called clock stretching. Not all receiver devices support clock stretching. Not all master devices recognize clock stretching. This part does not use clock stretching.

A low to high transition on the SDA line while the SCL line is high is defined as a stop condition (SP) signal. A write or burst write is always terminated by the master issuing the SP signal. A master should properly terminate a read by not acknowledging a byte at the appropriate time in the protocol. A master may also issue a repeated start signal (SR) during a transfer

The slave addresses that may be assigned to the FXOS8700CQ part are 0x1C, 0x1D, 0x1E, or 0x1F. The selection is made through the logic level of the SA1 and SA0 inputs.

Table 10. I²C slave address

SA1	SA0	Slave address
0	0	0x1E
0	1	0x1D
1	0	0x1C
1	1	0x1F

5.1.2 I²C Read/Write operations

Single-byte read

The master (or MCU) transmits a start condition (ST) to the FXOS8700CQ, followed by the slave address, with the R/W bit set to "0" for a write, and the FXOS8700CQ sends an acknowledgement. Then the master (or MCU) transmits the address of the register to read and the FXOS8700CQ sends an acknowledgement. The master (or MCU) transmits a repeated start condition (SR), followed by the slave address with the R/W bit set to "1" for a read from the previously selected register. The FXOS8700CQ then acknowledges and transmits the data from the requested register. The master does not acknowledge (NAK) the transmitted data, but transmits a stop condition to end the data transfer.

Multiple-byte read

When performing a multi-byte or "burst" read, the FXOS8700CQ automatically increments the register address read pointer after a read command is received. Therefore, after following the steps of a single-byte read, multiple bytes of data can be read from sequential registers after each FXOS8700CQ acknowledgment (AK) is received until a no acknowledge (NAK) occurs from the master followed by a stop condition (SP) signaling an end of transmission.

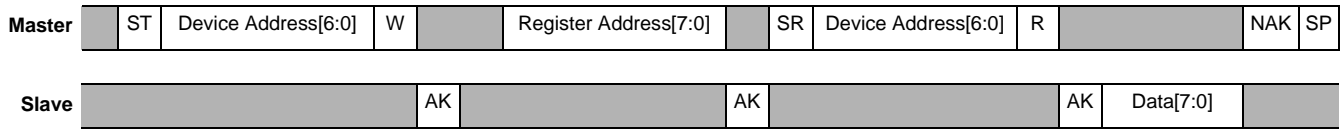
Single-byte write

To start a write command, the master transmits a start condition (ST) to the FXOS8700CQ, followed by the slave address with the R/W bit set to "0" for a write, and the FXOS8700CQ sends an acknowledgement. Then the master (or MCU) transmits the address of the register to write to, and the FXOS8700CQ sends an acknowledgement. Then the master (or MCU) transmits the 8-bit data to write to the designated register and the FXOS8700CQ sends an acknowledgement that it has received the data. Since this transmission is complete, the master transmits a stop condition (SP) to end the data transfer. The data sent to the FXOS8700CQ is now stored in the appropriate register.

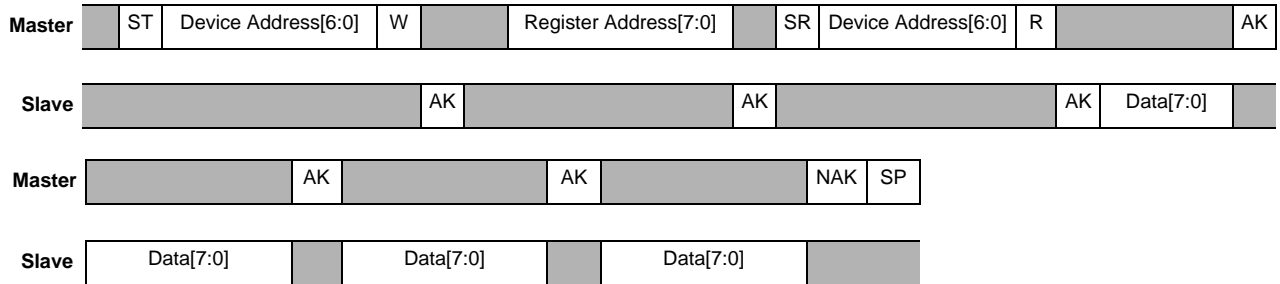
Multiple-byte write

The FXOS8700CQ automatically increments the register address write pointer after a write command is received. Therefore, after following the steps of a single-byte write, multiple bytes of data can be written to sequential registers after each FXOS8700CQ acknowledgment (ACK) is received.

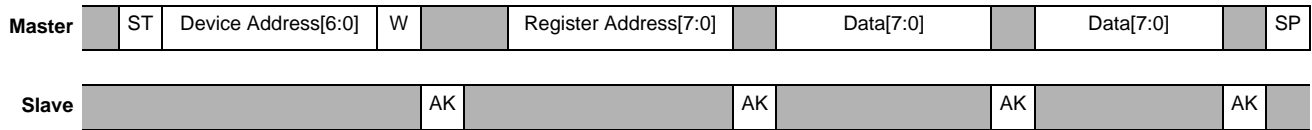
< Single-byte Read >



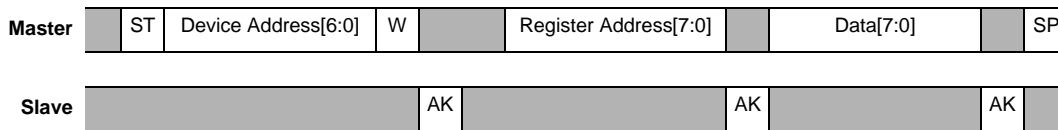
< Multiple-byte Read >



< Multiple-byte Write >



< Single-byte Write >



Legend

ST: Start Condition SP: Stop Condition NAK: No Acknowledge W: Write = 0
 SR: Repeated Start Condition AK: Acknowledge R: Read = 1

Figure 6. I²C timing diagram

5.2 SPI Interface characteristics

SPI interface is a classical master/slave serial port. The FXOS8700CQ is always considered as the slave and thus is never initiating the communication.

Table 11 and Figure 7 describe the timing requirements for the SPI system.

Table 11. SPI timing

Function	Symbol	Min	Max	Unit
Operating Frequency	f_{op}	—	1	MHz
SCLK Period	t_{SCLK}	1000	—	ns
SCLK High time	t_{CLKH}	500	—	ns
SCLK Low time	t_{CLKL}	500	—	ns
CS_B lead time	t_{SCS}	65	—	ns
CS_B lag time	t_{HCS}	65	—	ns
MOSI data setup time	t_{SET}	25	—	ns
MOSI data hold time	t_{HOLD}	75	—	ns
MISO data valid (after SCLK low edge)	t_{DDLY}	—	500	ns
Width CS High	t_{WCS}	100	—	ns

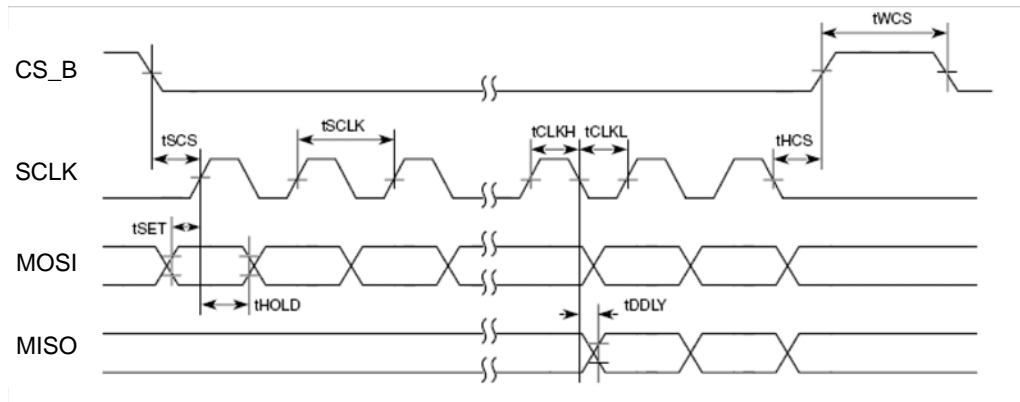


Figure 7. SPI Timing Diagram

5.2.1 General SPI operation

NOTE

FXOS8700CQ only supports a point-to-point SPI protocol, with only one master (MCU) and one slave device (FXOS8700CQ) present on the bus. FXOS8700CQ does not tri-state the MISO pin when the CS_B pin is deasserted (logic high), which can lead to a bus conflict if multiple slave devices are present on the bus.

Do not connect more than one master and one slave device on the SPI bus.

The CS_B pin is driven low at the start of a SPI transaction, held low for the duration of the transaction, and driven high after the transaction is complete. During a transaction the master toggles the SPI clock (SCLK) and transmits data on the MOSI pin.

A write operation is initiated by transmitting a 1 for the R/W bit. Then the 8-bit register address, ADDR[7:0] is encoded in the first and second serialized bytes. Data to be written starts in the third serialized byte. The order of the bits is as follows:

Byte 0: R/W, ADDR[6], ADDR[5], ADDR[4], ADDR[3], ADDR[2], ADDR[1], ADDR[0],

Byte 1: ADDR[7], X, X, X, X, X, X, X,

Byte 2: DATA[7], DATA[6], DATA[5], DATA[4], DATA[3], DATA[2], DATA[1], DATA[0].

Multiple bytes of DATA may be transmitted. The X indicates a bit that is ignored by the part. The register address is auto-incremented so that the next clock edges will latch the data for the next register. When desired, the rising edge on CS_B stops the SPI communication.

The FXOS8700CQ SPI configuration is as follows:

- Polarity: rising/falling
- Phase: sample/setup
- Order: MSB first

Data is sampled during the rising edge of SCLK and set up during the falling edge of SCLK.

5.2.2 SPI READ/WRITE operations

A READ operation is initiated by transmitting a 0 for the R/W bit. Then the 8-bit register address, ADDR[7:0] is encoded in the first and second serialized bytes. Subsequent bits are ignored by the part. The read data is deserialized from the MISO pin.

Similarly a WRITE operation is initiated by transmitting a 1 for the R/W bit. After the first and second serialized bytes multiple-data bytes can be transmitted into consecutive registers, starting from the indicated register address in ADDR[7:0].

An SPI transaction is started by asserting the CS_B pin (high-to-low transition), and ended by deasserting the CS_B pin (low-to-high transition).

R/W bit followed by ADDR [6:0]	ADDR[7] followed by 7 "don't care" bits	Data0*	Data1	—	Datan
--------------------------------	---	--------	-------	---	-------

* Data bytes must be transmitted to the slave (FXOS8700CQ) using the MOSI pin by the master when R/W = 1. Data bytes will be transmitted by the slave (FXOS8700CQ) to the master using the MISO pin when R/W = 0. The first two bytes are always transmitted by the master using the MOSI pin. That is, a transaction is always initiated by master. 1

Figure 8. SPI single-burst READ/WRITE transaction diagram

The registers embedded inside FXOS8700CQ are accessed through either an I²C, or a SPI serial interface. To enable either interface the VDDIO line must be connected to the interface supply voltage. If VDD is not present and VDDIO is present FXOS8700CQ is in shutdown mode and communications on the interface are ignored. If VDDIO is held high, VDD can be powered off and the communications pins will be in a high impedance state. This will allow communications to continue on the bus with other devices.

Table 12. Serial interface pin descriptions

Pin Name	Pin Description
VDDIO	Digital interface power
SA1/CS_B	I ² C second least significant bit of device address/SPI chip select
SCL/SCLK	I ² C/SPI serial clock
SDA/MOSI	I ² C serial data/SPI master serial data out slave serial data in
SA0/MISO	I ² C least significant bit of the device address/SPI master serial data in slave out

5.2.3 I²C/SPI auto detection

Table 13. I²C/SPI auto detection

SA0	Slave address
GND	I ² C
VDDIO	I ² C
Floating	SPI

FXOS8700CQ employs an interface mode, auto-detection circuit that will select either I²C or SPI interface mode based on the state of the SA0 pin during power up or when exiting reset. Once set for I²C or SPI operation, the device will remain in I²C or SPI mode until the device is reset or powered down and the auto-detection process is repeated. Please note that when SPI interface mode is desired, care must be taken to ensure that no other slave device drives the common SA0/MISO pin during the 1 ms period after a hard or soft reset or powerup event.

5.2.4 Power supply sequencing and I²C/SPI mode auto-detection

FXOS8700CQ does not have any specific power supply sequencing requirements between VDD and VDDIO voltage supplies to ensure normal operation. To ensure correct operation of the I²C/SPI auto-detection function, VDDIO should be applied before or at the same time as VDD. If this order cannot be maintained, the user should either toggle the RST line or power cycle the VDD rail in order to force the auto-detect function to restart and correctly identify the desired interface. FXOS8700CQ will indicate completion of the reset sequence by toggling the INT1 pin from logic high to low to high over a 500 ns period. If the INT1 pin was already low prior to the reset event, it will only go high.

FXOS8700CQ

6 Modes of Operation

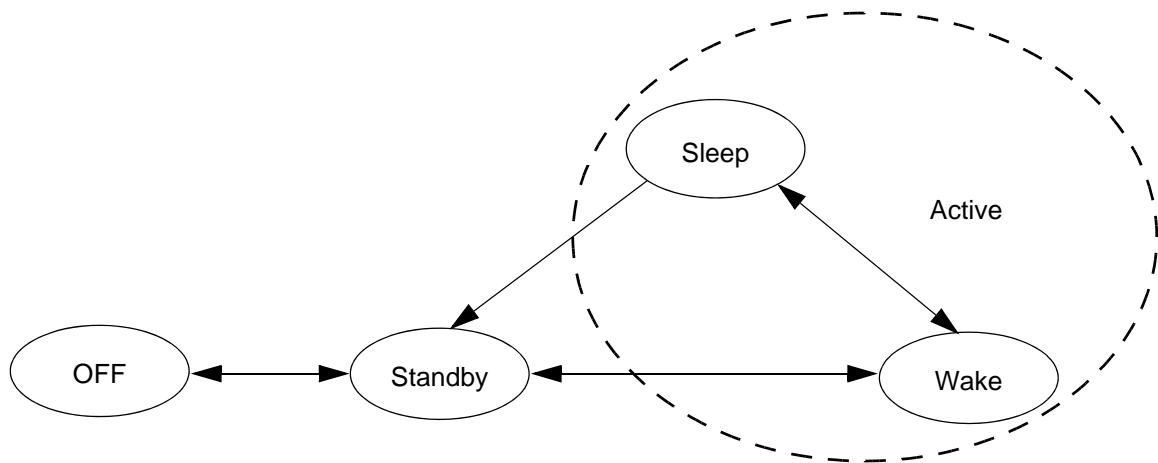


Figure 9. FXOS8700CQ power mode transition diagram

Table 14. Mode of operation description

Mode	I ² C/SPI Bus state	VDD	VDDIO	Function description
OFF	Powered down	<1.8 V	VDDIO can be > VDD	The device is powered off. All analog and digital blocks are shutdown. I ² C bus inhibited.
Standby	I ² C/SPI communication with FXOS8700CQ is possible	ON	VDDIO = High VDD = High Active bit is cleared	Only digital blocks are enabled. Analog subsystem is disabled. Internal clocks disabled.
Active (Wake/Sleep)	I ² C/SPI communication with FXOS8700CQ is possible	ON	VDDIO = High VDD = High Active bit is set	All blocks are enabled (digital and analog).

All register contents are preserved when transitioning from Active-to-Standby mode, but some registers are reset when transitioning from Standby-to-Active. These registers are noted in [Table 15, "Register Address Map," on page 25](#). The Sleep and Wake modes are active modes. For more information on how to use the Sleep and Wake modes and configuring the device to transition between them, please refer to [Section 7, "Embedded Functionality"](#) or Freescale application note AN4074.

7 Embedded Functionality

FXOS8700CQ is a low-power, digital output, 6-axis sensor with both I²C and SPI interfaces. Extensive embedded functionality is provided to detect inertial and magnetic events at low power, with the ability to notify the host processor of an event using either of the two programmable interrupt pins. The embedded functionality includes:

- 8-bit or 14-bit accelerometer data which includes high-pass filtered data, and 8-bit or 16-bit magnetometer data
- Four different oversampling options for the accelerometer output data, and eight for the magnetometer. The oversampling settings allow the end user to optimize the resolution versus power trade-off in a given application.
- A low-noise accelerometer mode that functions independently of the oversampling modes for even higher resolution
- Low-power, auto-wake/sleep function for conserving power in portable battery powered applications
- Accelerometer pulse-detection circuit which can be used to detect directional single and double taps
- Accelerometer directional motion- and freefall-event detection with programmable threshold and debounce time
- Acceleration transient detection with programmable threshold and debounce time. Transient detection can employ either a high-pass filter or use the difference between reference and current sample values.
- Orientation detection with programmable hysteresis for smooth transitions between portrait/landscape orientations
- Accelerometer vector-magnitude change event detection with programmable reference, threshold, and debounce time values
- Magnetic threshold event detection with programmable reference, threshold, and debounce time
- Magnetometer vector-magnitude change event detection with programmable reference, threshold and debounce time values
- Magnetic min/max detection circuit which can also be used for autonomous calibration of magnetic hard-iron offset

Many different configurations of the above functions are possible to suit the needs of the end application. Separate application notes are available to further explain the different configuration settings and potential use cases.

7.1 Factory calibration

FXOS8700CQ's integrated accelerometer and magnetometer sensors are factory calibrated for sensitivity and offset on each axis. The trim values are stored in Non-Volatile Memory (NVM). On power-up, the trim parameters are read from NVM and applied to the internal compensation circuitry. After mounting the device to the PCB, the user may further adjust the accelerometer and magnetometer offsets through the OFF_X/Y/Z and M_OFF_X/Y/Z registers, respectively. For more information on device calibration, refer to Freescale application note, AN4399.

7.2 8-bit or 14-bit accelerometer data

The measured acceleration data is stored in the OUT_X_MSB, OUT_X_LSB, OUT_Y_MSB, OUT_Y_LSB, OUT_Z_MSB, and OUT_Z_LSB registers as 2's complement 14-bit numbers. The most significant 8-bits of each axis are stored in the OUT_X, Y, Z_MSB registers, so applications needing only 8-bit results simply read these three registers and ignore the OUT_X,Y,Z_LSB registers. To do this, the *f_read* mode bit in CTRL_REG1 must be set.

When the full-scale range is set to 2 g, the measurement range is -2 g to +1.999 g, and each count corresponds to 0.244 mg at ±14-bits resolution. When the full-scale is set to 8 g, the measurement range is -8 g to +7.996 g, and each count corresponds to 0.976 mg. The resolution is reduced by a factor of 64 if only the 8-bit results are used (CTRL_REG1[*f_read*] = 1). For further information on the different data formats and modes, please refer to Freescale application note AN4076.

7.3 Accelerometer low-power modes versus high-resolution modes

FXOS8700CQ can be optimized for lower power or higher resolution of the accelerometer output data. High resolution is achieved by setting the *Inoise* bit in register 0x2A. This improves the resolution (by lowering the noise), but be aware that the full-scale range setting is restricted to ±2 g or ±4 g when this bit is set. This will affect all internal embedded functions (scaling of thresholds, etc.) and reduce noise. Another method for improving the resolution of the data is through oversampling. One of the oversampling schemes of the output data can be activated when CTRL_REG2[*mods*] = 0b10 which will improve the resolution of the output data without affecting the internal embedded functions or fixing the dynamic range.

There is a trade-off between low power and high resolution. Low power can be achieved when the oversampling rate is reduced. When CTRL_REG2[*mods*] = 0b10, the lowest power is achieved, at the expense of higher noise. In general, the lower the selected ODR and OSR, the lower the power consumption. For more information on how to configure the device in low-power or high-resolution modes and understand the benefits and trade-offs, please refer to Freescale application note AN4075.

7.4 Auto-Wake/Sleep mode

FXOS8700CQ can be configured to transition between sample rates (with their respective current consumptions) based on the status of the embedded interrupt event generators in the device. The advantage of using the Auto-Wake/Sleep is that the system can automatically transition to a higher sample rate (higher current consumption) when needed but spends the majority of the time in the Sleep mode (lower current) when the device does not require higher sampling rates. Auto-Wake refers to the device being triggered by one of the interrupt event functions to transition to a higher sample rate. This may also interrupt the processor to transition from a sleep mode to a higher power mode.

Sleep mode occurs when none of the enabled interrupt event functions has detected an interrupt within the user-defined, time-out period. The device will then transition to the specified lower sample rate. It may also alert the processor to go into a lower power mode to save power during this period of inactivity. Please refer to AN4074 for more detailed information on configuring the Auto-Wake/Sleep function.

7.5 Hybrid mode

FXOS8700CQ uses a single common Analog-to-Digital Converter (ADC) for both the accelerometer and magnetometer. When operating in hybrid mode ($M_CTRL_REG1[m_hms] = 0b11$), both the accelerometer and magnetometer sensors are actively measured by the ADC at an ODR equal to one half of the setting made in $CTRL_REG1[dr]$ when operating in accelerometer-only mode ($M_CTRL_REG1[m_hms] = 0b00$ (default)) or magnetometer-only mode ($M_CTRL_REG1[m_hms] = 0b01$). While the ODR is common to both sensors when operating in hybrid mode, the OSR settings for each sensor are independent and may be set using the $CTRL_REG2[mods]$ for the accelerometer and $M_CTRL_REG1[m_os]$ for the magnetometer, respectively.

7.6 Accelerometer Freefall and Motion event detection

FXOS8700CQ integrates a programmable threshold based acceleration detection function capable of detecting either motion or freefall events depending upon the configuration. For further details and examples on using the embedded freefall and motion detection functions, please refer to Freescale application note AN4070.

7.6.1 Freefall detection

The detection of "Freefall" involves the monitoring of the X, Y, and Z axes for the condition where the acceleration magnitude is **below** a user-specified threshold for a user-definable amount of time. Typically, the usable threshold ranges are between ± 100 mg and ± 500 mg.

7.6.2 Motion detection

Motion detection is often used to alert the main processor that the device is currently in use. When the acceleration exceeds a set threshold for a set amount of time, the motion interrupt is asserted. A motion can be a fast moving shake or a slow moving tilt. This will depend on the threshold and timing values configured for the event. The motion detection function can analyze static acceleration changes or faster jolts. The timing value is set by a configurable debounce counter. The debounce counter acts like a filter to indicate whether the condition exists for longer than a set amount of time (that is, 100 ms or longer). There is also directional data available in the source register to detect the direction of the motion that generated the interrupt. This is useful for applications such as directional shake or flick detection, and can also assist gesture detection algorithms by indicating that a motion gesture has started.

7.7 Transient detection

FXOS8700CQ integrates an acceleration transient detection function that incorporates a high-pass filter. Acceleration data goes through the high-pass filter, eliminating the DC tilt offset and low frequency acceleration changes. The high-pass filter cutoff can be set by the user to four different frequencies which are dependent on the selected output data rate (ODR). A higher cutoff frequency ensures that DC and slowly changing acceleration data will be filtered out, allowing only the higher frequencies to pass. The transient detection feature can be used in the same manner as the motion detection by bypassing the high-pass filter. There is an option in the configuration register to do this. This adds more flexibility to cover the various customer use cases.

Many applications use the accelerometer's static acceleration readings (that is, tilt) which measure the change in acceleration due to gravity only. These functions benefit from acceleration data being filtered with a low-pass filter where high-frequency data is considered noise. However, there are many functions where the accelerometer must analyze dynamic acceleration. Functions such as tap, flick, shake and step counting are based on the analysis of the change in the dynamic acceleration. The transient detection function can be routed to either interrupt pin through bit 5 in $CTRL_REG5$ register (0x2E). Registers 0x1D – 0x20 are used for configuring the transient detection function. The source register contains directional data to determine the direction of the transient acceleration, either positive or negative. For further information of the embedded transient detection function along with specific application examples and recommended configuration settings, refer to Freescale application note AN4461.

7.8 Pulse detection

FXOS8700CQ has embedded single/double and directional pulse detection. This function employs several timers for programming the pulse width time and the latency between pulses. The detection thresholds are independently programmable for each axis. The acceleration data input to the pulse detection circuit can be put through both high and low-pass filters, allowing for greater flexibility in discriminating between pulse and tap events. The PULSE_SRC register provides information on the axis, direction (polarity), and single/double event status for the detected pulse or tap. For more information on how to configure the device for pulse detection, please refer to Freescale application note AN4072.

7.9 Orientation detection

FXOS8700CQ has an embedded orientation detection algorithm with the ability to detect all six orientations. The transition angles and hysteresis are programmable, allowing for a smooth transition between portrait and landscape orientations.

The angle at which the device no longer detects the orientation change is referred to as the “Z-lockout angle”. The device operates down to 29° from the flat position. All angles are accurate to $\pm 2^\circ$.

For further information on the orientation detection function refer to Freescale application note, AN4068.

7.10 Acceleration Vector-Magnitude detection

FXOS8700CQ incorporates an acceleration vector-magnitude change detection block that can be configured to generate an interrupt when the acceleration magnitude exceeds a preset threshold for a programmed debounce time. The function can be configured to operate in absolute or relative modes, and can also act as a wake-to-sleep/sleep-to-wake source. This function is useful for detecting acceleration transients when operated in absolute mode, or for detecting changes in orientation when operated in relative mode, refer to Freescale application note AN4692.

7.11 Magnetic Vector-Magnitude detection

FXOS8700CQ incorporates a magnetic vector-magnitude change detection block that can be configured to generate an interrupt when the magnetic field magnitude exceeds a preset threshold for a programmed debounce time. The function can be configured to operate in absolute or relative modes, and can also act as a wake-to-sleep/sleep-to-wake source. For more information, refer to Freescale application note AN4458.

7.12 Magnetic Threshold detection

FXOS8700CQ incorporates a magnetic threshold event detection block that can be configured to generate an interrupt when the magnetic field on the enabled axes is above or below a programmed threshold.

Two logic combinations are possible for the detection: all of the enabled axes below their respective thresholds (AND condition), or any of the enabled axes above their respective thresholds (OR condition). Even detection may be filtered using a dedicated debounce counter to avoid spurious event detection. The thresholds for each axis are individually programmable and the function can also act as a wake-to-sleep/sleep-to-wake source.

7.13 Magnetic Min/Max detection (autonomous calibration)

FXOS8700CQ incorporates a magnetic min/max detection circuit that can be used to automatically track the minimum and maximum field values measured on each of the X, Y, and Z axes. The stored minimum and maximum values may optionally be used to determine the magnetic hard-iron compensation and load the offset registers with the appropriate correction values. For more information, refer to Freescale application note AN4459.

8 Register Map

Table 15. Register Address Map

Name	Type	Register Address	Auto-Increment Address				Default Hex Value	Comment
			STATUS[f_mode] = 00, CTRL_REG1[f_read] = 0	STATUS[f_mode] > 00, CTRL_REG1[f_read] = 0	STATUS[f_mode] = 00, CTRL_REG1[f_read] = 1	STATUS[f_mode] > 00, CTRL_REG1[f_read] = 1		
STATUS ⁽¹⁾⁽²⁾	R	0x00	0x01				0x00	Real-time data-ready status or FIFO status (DR_STATUS or F_STATUS)
OUT_X_MSB ⁽¹⁾⁽²⁾⁽³⁾	R	0x01	0x02	0x01	0x03	0x01	Data	[7:0] are 8 MSBs of 14-bit sample. Rootpointer to XYZ FIFO data.
OUT_X_LSB ⁽¹⁾⁽²⁾⁽³⁾	R	0x02	0x03		0x00		Data	[7:2] are 6 LSBs of 14-bit real-time sample
OUT_Y_MSB ⁽¹⁾⁽²⁾⁽³⁾	R	0x03	0x04		0x05	0x00	Data	[7:0] are 8 MSBs of 14-bit real-time sample
OUT_Y_LSB ⁽¹⁾⁽²⁾⁽³⁾	R	0x04	0x05		0x00		Data	[7:2] are 6 LSBs of 14-bit real-time sample
OUT_Z_MSB ⁽¹⁾⁽²⁾⁽³⁾	R	0x05	0x06		M_CTRL_REG2[hyb_autoinc_mode] = 0 → 0x00, M_CTRL_REG2[hyb_autoinc_mode] = 1 → 0x33		Data	[7:0] are 8 MSBs of 14-bit real-time sample
OUT_Z_LSB ⁽¹⁾⁽²⁾⁽³⁾	R	0x06	M_CTRL_REG2[hyb_autoinc_mode] = 0 → 0x00, M_CTRL_REG2[hyb_autoinc_mode] = 1 → 0x33				Data	[7:2] are 6 LSBs of 14-bit real-time sample
Reserved	R	0x07-0x08	—				0x00	Reserved, do not modify contents
F_SETUP ⁽¹⁾⁽⁴⁾	R/W	0x09	0x0A				0x00	FIFO setup
TRIG_CFG	R/W	0x0A	0x0B				0x00	FIFO event trigger configuration register
SYSMOD ⁽¹⁾⁽²⁾	R	0x0B	0x0C				0x00	Current system mode
INT_SOURCE ⁽¹⁾⁽²⁾	R	0x0C	0x0D				0x00	Interrupt status
WHO_AM_I ⁽¹⁾	R	0x0D	0x0E				0xC7	Device ID
XYZ_DATA_CFG ⁽¹⁾⁽⁵⁾	R/W	0x0E	0x0F				0x00	Acceleration dynamic range and filter enable settings
HP_FILTER_CUTOFF ⁽¹⁾⁽⁴⁾	R/W	0x0F	0x10				0x00	Pulse detection high-pass and low-pass filter enable bits. High-pass filter cutoff frequency selection
PL_STATUS ⁽¹⁾⁽²⁾	R	0x10	0x11				0x00	Landscape/Portrait orientation status
PL_CFG ⁽¹⁾⁽⁴⁾	R/W	0x11	0x12				0x80	Landscape/Portrait configuration
PL_COUNT ⁽¹⁾⁽³⁾	R/W	0x12	0x13				0x00	Landscape/Portrait debounce counter
PL_BF_ZCOMP ⁽¹⁾⁽⁴⁾	R/W	0x13	0x14				0x84	Back/Front Trip angle threshold
PL_THS_REG ⁽¹⁾⁽⁴⁾	R/W	0x14	0x15				0x44	Portrait to Landscape Trip Threshold angle and hysteresis settings
A_FFMT_CFG ⁽¹⁾⁽⁴⁾	R/W	0x15	0x16				0x00	Freefall/Motion function configuration
A_FFMT_SRC ⁽¹⁾⁽²⁾	R	0x16	0x17				0x00	Freefall/Motion event source register
A_FFMT_THS ⁽¹⁾⁽³⁾	R/W	0x17	0x18				0x00	Freefall/Motion threshold register
A_FFMT_COUNT ⁽¹⁾⁽³⁾	R/W	0x18	0x19				0x00	Freefall/Motion debounce counter

Table 15. Register Address Map (Continued)

Reserved	R/W	0x19-0x1C	—	—	Reserved, do not modify contents
TRANSIENT_CFG ⁽¹⁾⁽⁴⁾	R/W	0x1D	0x1E	0x00	FIFO setup
TRANSIENT_SRC ⁽¹⁾⁽²⁾	R	0x1E	0x1F	0x00	Transient event status register
TRANSIENT_THS ⁽¹⁾⁽³⁾	R/W	0x1F	0x20	0x00	Transient event threshold
TRANSIENT_COUNT ⁽¹⁾⁽³⁾	R/W	0x20	0x21	0x00	Transient debounce counter
PULSE_CFG ⁽¹⁾⁽⁴⁾	R/W	0x21	0x22	0x00	Pulse function configuration
PULSE_SRC ⁽¹⁾⁽²⁾	R	0x22	0x23	0x00	Pulse function source register
PULSE_THSX ⁽¹⁾⁽³⁾	R/W	0x23	0x24	0x00	X-axis pulse threshold
PULSE_THSY ⁽¹⁾⁽³⁾	R/W	0x24	0x25	0x00	Y-axis pulse threshold
PULSE_THSZ ⁽¹⁾⁽³⁾	R/W	0x25	0x26	0x00	Z-axis pulse threshold
PULSE_TMLT ⁽¹⁾⁽⁴⁾	R/W	0x26	0x27	0x00	Time limit for pulse detection
PULSE_LTCY ⁽¹⁾⁽⁴⁾	R/W	0x27	0x28	0x00	Latency time for second pulse detection
PULSE_WIND ⁽¹⁾⁽⁴⁾	R/W	0x28	0x29	0x00	Window time for second pulse detection
ASLP_COUNT ⁽¹⁾⁽⁴⁾	R/W	0x29	0x2A	0x00	In activity counter setting for Auto-Sleep
CTRL_REG1 ⁽¹⁾⁽⁴⁾	R/W	0x2A	0x2B	0x00	System ODR, accelerometer OSR, operating mode
CTRL_REG2 ⁽¹⁾⁽⁴⁾	R/W	0x2B	0x2C	0x00	Self-Test, Reset, accelerometer OSR and Sleep mode settings
CTRL_REG3 ⁽¹⁾⁽⁴⁾	R/W	0x2C	0x2D	0x00	Sleep mode interrupt wake enable, interrupt polarity, push-pull/open-drain configuration
CTRL_REG4 ⁽¹⁾⁽⁴⁾	R/W	0x2D	0x2E	0x00	Interrupt enable register
CTRL_REG5 ⁽¹⁾⁽⁴⁾	R/W	0x2E	0x2F	0x00	Interrupt pin (INT1/INT2) map
OFF_X ⁽¹⁾⁽⁵⁾	R/W	0x2F	0x30	0x00	X-axis accelerometer offset adjust
OFF_Y ⁽¹⁾⁽⁵⁾	R/W	0x30	0x31	0x00	Y-axis accelerometer offset adjust
OFF_Z ⁽¹⁾⁽⁵⁾	R/W	0x31	0x32	0x00	Z-axis accelerometer offset adjust
M_DR_STATUS	R	0x32	0x33	0x00	Magnetic data ready
M_OUT_X_MSB ⁽¹⁾⁽³⁾⁽⁶⁾	R	0x33	0x34	Data	MSB of 16-bit magnetic data for X-axis
M_OUT_X_LSB ⁽¹⁾⁽³⁾⁽⁶⁾	R	0x34	0x35	Data	LSB of 16-bit magnetic data for X-axis
M_OUT_Y_MSB ⁽¹⁾⁽³⁾⁽⁶⁾	R	0x35	0x36	Data	MSB of 16-bit magnetic data for Y-axis
M_OUT_Y_LSB ⁽¹⁾⁽³⁾⁽⁶⁾	R	0x36	0x37	Data	LSB of 16-bit magnetic data for Y-axis
M_OUT_Z_MSB ⁽¹⁾⁽³⁾⁽⁶⁾	R	0x37	0x38	Data	MSB of 16-bit magnetic data for Z-axis
M_OUT_Z_LSB ⁽¹⁾⁽³⁾⁽⁶⁾	R	0x38	0x39	Data	LSB of 16-bit magnetic data for Z-axis
CMP_X_MSB ⁽¹⁾⁽⁵⁾	R	0x39	0x3A	Data	Bits [13:8] of integrated X-axis acceleration data

Table 15. Register Address Map (Continued)

CMP_X_LSB ⁽¹⁾⁽⁵⁾	R	0x3A	0x3B	Data	Bits [7:0] of integrated X-axis acceleration data
CMP_Y_MSB ⁽¹⁾⁽⁵⁾	R	0x3B	0x3C	Data	Bits [13:8] of integrated Y-axis acceleration data
CMP_Y_LSB ⁽¹⁾⁽⁵⁾	R	0x3C	0x3D	Data	Bits [7:0] of integrated Y-axis acceleration data
CMP_Z_MSB ⁽¹⁾⁽⁵⁾	R	0x3D	0x3E	Data	Bits [13:8] of integrated Z-axis acceleration data
CMP_Z_LSB ⁽¹⁾⁽⁵⁾	R	0x3E	0x3F	Data	Bits [7:0] of integrated Z-axis acceleration data
M_OFF_X_MSB ⁽⁷⁾	R/W	0x3F	0x40	0x00	MSB of magnetometer of X-axis offset
M_OFF_X_LSB ⁽⁷⁾	R/W	0x40	0x41	0x00	LSB of magnetometer of X-axis offset
M_OFF_Y_MSB ⁽⁷⁾	R/W	0x41	0x42	0x00	MSB of magnetometer of Y-axis offset
M_OFF_Y_LSB ⁽⁷⁾	R/W	0x42	0x43	0x00	LSB of magnetometer of Y-axis offset
M_OFF_Z_MSB ⁽⁷⁾	R/W	0x43	0x44	0x00	MSB of magnetometer of Z-axis offset
M_OFF_Z_LSB ⁽⁷⁾	R/W	0x44	0x45	0x00	LSB of magnetometer of Z-axis offset
MAX_X_MSB ⁽¹⁾⁽⁷⁾	R	0x45	0x46	Data	Magnetometer X-axis maximum value MSB
MAX_X_LSB ⁽¹⁾⁽⁷⁾	R	0x46	0x47	Data	Magnetometer X-axis maximum value LSB
MAX_Y_MSB ⁽¹⁾⁽⁷⁾	R	0x47	0x48	Data	Magnetometer Y-axis maximum value MSB
MAX_Y_LSB ⁽¹⁾⁽⁷⁾	R	0x48	0x49	Data	Magnetometer Y-axis maximum value LSB
MAX_Z_MSB ⁽¹⁾⁽⁷⁾	R	0x49	0x4A	Data	Magnetometer Z-axis maximum value MSB
MAX_Z_LSB ⁽¹⁾⁽⁷⁾	R	0x4A	0x4B	Data	Magnetometer Z-axis maximum value LSB
MIN_X_MSB ⁽¹⁾⁽⁷⁾	R	0x4B	0x4C	Data	Magnetometer X-axis minimum value MSB
MIN_X_LSB ⁽¹⁾⁽⁷⁾	R	0x4C	0x4D	Data	Magnetometer X-axis minimum value LSB
MIN_Y_MSB ⁽¹⁾⁽⁷⁾	R	0x4D	0x4E	Data	Magnetometer Y-axis minimum value MSB
MIN_Y_LSB ⁽¹⁾⁽⁷⁾	R	0x4E	0x4F	Data	Magnetometer Y-axis minimum value LSB
MIN_Z_MSB ⁽¹⁾⁽⁷⁾	R	0x4F	0x50	Data	Magnetometer Z-axis minimum value MSB
MIN_Z_LSB ⁽¹⁾⁽⁷⁾	R	0x50	0x51	Data	Magnetometer Z-axis minimum value LSB
TEMP ⁽¹⁾	R	0x51	0x52	Data	Device temperature, valid range of -128 to 127 °C when M_CTRL1[m_hms] > 0b00
M_THS_CFG ⁽¹⁾⁽⁴⁾	R/W	0x52	0x53	0x00	Magnetic threshold detection function configuration
M_THS_SRC ⁽¹⁾⁽²⁾	R	0x53	0x54	Data	Magnetic threshold event source register
M_THS_X_MSB ⁽¹⁾	R/W	0x54	0x55	0x00	X-axis magnetic threshold MSB
M_THS_X_LSB ⁽¹⁾	R/W	0x55	0x56	0x00	X-axis magnetic threshold LSB

Table 15. Register Address Map (Continued)

M_THS_Y_MSB ⁽¹⁾	R/W	0x56	0x57	0x00	Y-axis magnetic threshold MSB
M_THS_Y_LSB ⁽¹⁾	R/W	0x57	0x58	0x00	Y-axis magnetic threshold LSB
M_THS_Z_MSB ⁽¹⁾	R/W	0x58	0x59	0x00	Z-axis magnetic threshold MSB
M_THS_Z_LSB ⁽¹⁾	R/W	0x59	0x5A	0x00	Z-axis magnetic threshold LSB
M_THS_COUNT ⁽¹⁾⁽³⁾	R/W	0x5A	0x5B	0x00	Magnetic threshold debounce counter
M_CTRL_REG1	R/W	0x5B	0x5C	0x00	Control for magnetic sensor functions
M_CTRL_REG2	R/W	0x5C	0x5D	0x00	Control for magnetic sensor functions
M_CTRL_REG3	R/W	0x5D	0x5E	0x00	Control for magnetic sensor functions
M_INT_SRC	R	0x5E	0x5F	0x00	Magnetic interrupt source
A_VECM_CFG	R/W	0x5F	0x60	0x00	Acceleration vector-magnitude configuration register
A_VECM_THS_MSB	R/W	0x60	0x61	0x00	Acceleration vector-magnitude threshold MSB
A_VECM_THS_LSB	R/W	0x61	0x62	0x00	Acceleration vector-magnitude threshold LSB
A_VECM_CNT	R/W	0x62	0x63	0x00	Acceleration vector-magnitude debounce count
A_VECM_INITX_MSB	R/W	0x63	0x64	0x00	Acceleration vector-magnitude X-axis reference value MSB
A_VECM_INITX_LSB	R/W	0x64	0x65	0x00	Acceleration vector-magnitude X-axis reference value LSB
A_VECM_INITY_MSB	R/W	0x65	0x66	0x00	Acceleration vector-magnitude Y-axis reference value MSB
A_VECM_INITY_LSB	R/W	0x66	0x67	0x00	Acceleration vector-magnitude Y-axis reference value LSB
A_VECM_INITZ_MSB	R/W	0x67	0x68	0x00	Acceleration vector-magnitude Z-axis reference value MSB
A_VECM_INITZ_LSB	R/W	0x68	0x69	0x00	Acceleration vector-magnitude Z-axis reference value LSB
M_VECM_CFG	R/W	0x69	0x6A	0x00	Magnetic vector-magnitude configuration register
M_VECM_THS_MSB	R/W	0x6A	0x6B	0x00	Magnetic vector-magnitude threshold MSB
M_VECM_THS_LSB	R/W	0x6B	0x6C	0x00	Magnetic vector-magnitude threshold LSB
M_VECM_CNT	R/W	0x6C	0x6D	0x00	Magnetic vector-magnitude debounce count
M_VECM_INITX_MSB	R/W	0x6D	0x6E	0x00	Magnetic vector-magnitude reference value X-axis MSB

Table 15. Register Address Map (Continued)

M_VECM_INITX_LSB	R/W	0x6E	0x6F	0x00	Magnetic vector-magnitude reference value X-axis LSB
M_VECM_INITY_MSB	R/W	0x6F	0x70	0x00	Magnetic vector-magnitude reference value Y-axis MSB
M_VECM_INITY_LSB	R/W	0x70	0x71	0x00	Magnetic vector-magnitude reference value Y-axis LSB
M_VECM_INITZ_MSB	R/W	0x71	0x72	0x00	Magnetic vector-magnitude reference value Z-axis MSB
M_VECM_INITZ_LSB	R/W	0x72	0x73	0x00	Magnetic vector-magnitude reference value Z-axis LSB
A_FFMT_THS_X_MSB	R/W	0x73	0x74	0x00	X-axis FMT threshold MSB
A_FFMT_THS_X_LSB	R/W	0x74	0x75	0x00	X-axis FFMT threshold LSB
A_FFMT_THS_Y_MSB	R/W	0x75	0x76	0x00	Y-axis FFMT threshold MSB
A_FFMT_THS_Y_LSB	R/W	0x76	0x77	0x00	Y-axis FFMT threshold LSB
A_FFMT_THS_Z_MSB	R/W	0x77	0x78	0x00	Z-axis FFMT threshold MSB
A_FFMT_THS_Z_LSB	R/W	0x78	0x79	0x00	Z-axis FFMT threshold LSB
Reserved		0x79	—	—	Reserved, do not modify

1. Register contents are preserved when transitioning from Active-to-Standby mode.
2. Register contents are reset when transitioning from Standby-to-Active mode.
3. Hybrid auto-increment mode may be used to read out acceleration and magnetic data from registers x1-x6 using a burst read transaction. When M_CTRL_REG2[hyb_autoinc_mode] = 1, the user may do a burst read of 12 bytes starting from OUT_X_MSB (address 0x1) to read out both the current accelerometer and magnetometer data in one contiguous operation.
4. Register contents can be modified anytime in Standby or Active mode. A write to this register will cause a reset of the corresponding internal system debounce counter.
5. Modification of this register's contents can only occur when device is in Standby mode, except the FS[1:0] bit fields in XYZ_DATA_CFG register.
6. To ensure that valid data is read from these registers, the user must first read the M_OUT_X_MSB register in either burst or single-read mode. Reading of the M_OUT_X_MSB register triggers the update of the M_OUT_X/Y/Z registers with the current time-aligned output data.
7. To ensure that valid data is read from these registers, the user must first read the MSB register of each register pair in either burst or single-read mode. Reading of the LSB register without first reading the MSB register will result in invalid data.

NOTE

The auto-increment addressing is only enabled when registers are read using burst read mode when configured for either I²C or SPI. The auto-increment address is automatically reset to 0x00 in I²C mode when a stop condition is detected. In SPI mode there is no stop condition and the auto-increment address is not automatically reset to 0x00.

9 Example FXOS8700CQ Driver Code

9.1 Introduction

It is very straightforward to configure the FXOS8700CQ and start receiving data from the three accelerometer and three magnetometer channels. Unfortunately, since every hardware platform will be different, it is not possible to provide completely portable software drivers. This section therefore provides real FXOS8700CQ driver code for a Kinetis uC board running under the MQX operating system. The I²C functions `s_i2c_read_regs` and `s_i2c_write_regs` are not provided here and should be replaced with the corresponding low level I²C driver code on the development platform.

9.2 FXOS8700CQ Addresses

This section lists the I²C address of the FXOS8700CQ. The I²C address depends on the logic level of FXOS8700CQ's SA0 and SA1 address selection pins, so the actual I²C address may be 0x1C, 0x1D, 0x1E or 0x1F.

Please see [Table 10](#) for the available I²C addresses and SA1/SA0 settings.

Example 1.

```
// FXOS8700CQ I2C address
#define FXOS8700CQ_SLAVE_ADDR    0x1E    // with pins SA0=0, SA1=0
```

Some of the key FXOS8700CQ internal register addresses are listed below.

Example 2.

```
// FXOS8700CQ internal register addresses
#define FXOS8700CQ_STATUS        0x00
#define FXOS8700CQ_WHOAMI        0x00
#define FXOS8700CQ_XYZ_DATA_CFG  0x0E
#define FXOS8700CQ_CTRL_REG1     0x2A
#define FXOS8700CQ_M_CTRL_REG1   0x5B
#define FXOS8700CQ_M_CTRL_REG2   0x5C
#define FXOS8700CQ_WHOAMI_VAL    0xC7
```

The reference driver code shown in this example does a block read of the FXOS8700CQ status byte and three 16-bit accelerometer channels plus three 16-bit magnetometer channels for a total of 13 bytes in a single I²C read operation.

Example 3.

```
// number of bytes to be read from the FXOS8700CQ
#define FXOS8711CQFXOS8701CQFXOS8700CQ_READ_LEN 13// status plus 6 channels = 13
bytes
```

9.3 Sensor data structure

The high and low bytes of the three accelerometer and three magnetometer channels are placed into a structure of type `SRAWDATA` containing three signed short integers.

Example 4.

```
typedef struct
{
    int16_t  x;
    int16_t  y;
    int16_t  z;
} SRAWDATA;
```

9.4 FXOS8700CQ Configuration function

This function configures the FXOS8700CQ for 200-Hz hybrid mode meaning that both accelerometer and magnetometer data are provided at the 200-Hz rate. The code is self-explanatory and can be easily customized for different settings.

Example 5.

```
// function configures FXOS8700CQ combination accelerometer and magnetometer sensor
static _mqx_int s_FXOS8700CQ_start(MQX_FILE_PTR aFP)
{
    uint8_t databyte;

    // read and check the FXOS8700CQ WHOAMI register
    if (s_i2c_read_regs(aFP, FXOS8700CQ_SLAVE_ADDR, FXOS8700CQ_WHOAMI, &databyte,
        (uint8_t) 1) != 1)
    {
        return (I2C_ERROR);
    }
    if (databyte != FXOS8700CQ_WHOAMI_VAL)
    {
        return (I2C_ERROR);
    }

    // write 0000 0000 = 0x00 to accelerometer control register 1 to place FXOS8700CQ
into
    // standby
    // [7-1] = 0000 000
    // [0]: active=0
    databyte = 0x00;
    if (s_i2c_write_regs(aFP, FXOS8700CQ_SLAVE_ADDR, FXOS8700CQ_CTRL_REG1, &databyte,
        (uint8_t) 1) != 1)
    {
        return (I2C_ERROR);
    }

    // write 0001 1111 = 0x1F to magnetometer control register 1
    // [7]: m_acal=0: auto calibration disabled
    // [6]: m_rst=0: no one-shot magnetic reset
    // [5]: m_ost=0: no one-shot magnetic measurement
    // [4-2]: m_os=111=7: 8x oversampling (for 200Hz) to reduce magnetometer noise
    // [1-0]: m_hms=11=3: select hybrid mode with accel and magnetometer active
    databyte = 0x1F;
    if (s_i2c_write_regs(aFP, FXOS8700CQ_SLAVE_ADDR, FXOS8700CQ_M_CTRL_REG1,
        &databyte, (uint8_t) 1) != 1)
    {
        return (I2C_ERROR);
    }

    // write 0010 0000 = 0x20 to magnetometer control register 2
    // [7]: reserved
    // [6]: reserved
    // [5]: hyb_autoinc_mode=1 to map the magnetometer registers to follow the
    // accelerometer registers
    // [4]: m_maxmin_dis=0 to retain default min/max latching even though not used
    // [3]: m_maxmin_dis_ths=0
    // [2]: m_maxmin_rst=0
    // [1-0]: m_rst_cnt=00 to enable magnetic reset each cycle
    databyte = 0x20;
```

```

if (s_i2c_write_regs(aFP, FXOS8700CQ_SLAVE_ADDR, FXOS8700CQ_M_CTRL_REG2,
    &databyte, (uint8_t) 1) != 1)
{
    return (I2C_ERROR);
}

// write 0000 0001= 0x01 to XYZ_DATA_CFG register
// [7]: reserved
// [6]: reserved
// [5]: reserved
// [4]: hpf_out=0
// [3]: reserved
// [2]: reserved
// [1-0]: fs=01 for accelerometer range of +/-4g range with 0.488mg/LSB
databyte = 0x01;
if (s_i2c_write_regs(aFP, FXOS8700CQ_SLAVE_ADDR, FXOS8700CQ_XYZ_DATA_CFG,
    &databyte, (uint8_t) 1) != 1)
{
    return (I2C_ERROR);
}

// write 0000 1101 = 0x0D to accelerometer control register 1
// [7-6]: aslp_rate=00
// [5-3]: dr=001 for 200Hz data rate (when in hybrid mode)
// [2]: lnoise=1 for low noise mode
// [1]: f_read=0 for normal 16 bit reads
// [0]: active=1 to take the part out of standby and enable sampling
databyte = 0x0D;
if (s_i2c_write_regs(aFP, FXOS8700CQ_SLAVE_ADDR, FXOS8700CQ_CTRL_REG1, &databyte,
    (uint8_t) 1) != 1)
{
    return (I2C_ERROR);
}

// normal return
return (I2C_OK);
}

```

9.5 Data Read function

This function performs a block read of the status, accelerometer and magnetometer measurement registers and places the bytes read into the structures of type SRAWDATA as signed short integers.

Note that this function assumes that the `hyb_autoinc_mode` bit has been set to enable the reading of all accelerometer and magnetometer data in a single burst read operation.

Example 6.

```

// read status and the three channels of accelerometer and magnetometer data from
// FXOS8700CQ (13 bytes)
int16_t ReadAccelMagnData(SRAWDATA *pAccelData, SRAWDATA *pMagnData)
{
    MQX_FILE_PTR fp;                // I2C file pointer
    uint8_t Buffer[FXOS8700CQ_READ_LEN]; // read buffer

    // read FXOS8700CQ_READ_LEN=13 bytes (status byte and the six channels of data)
    if (s_i2c_read_regs(fp, _SLAVE_ADDR, FXOS8700CQ_STATUS, Buffer,
        FXOS8700CQ_READ_LEN) == FXOS8700CQ_READ_LEN)

```



```
{
    // copy the 14 bit accelerometer byte data into 16 bit words
    pAccelData->x = (int16_t)((((Buffer[1] << 8) | Buffer[2]))>> 2);
    pAccelData->y = (int16_t)((((Buffer[3] << 8) | Buffer[4]))>> 2);
    pAccelData->z = (int16_t)((((Buffer[5] << 8) | Buffer[6]))>> 2);
    // copy the magnetometer byte data into 16 bit words
    pMagnData->x = (Buffer[7] << 8) | Buffer[8];
    pMagnData->y = (Buffer[9] << 8) | Buffer[10];
    pMagnData->z = (Buffer[11] << 8) | Buffer[12];
}
else
{
    // return with error
    return (I2C_ERROR);
}

// normal return
return (I2C_OK);
}
```

10 Registers by Functional Blocks

10.1 Device configuration

10.1.1 STATUS (0x00) register

Table 16. STATUS register

DR_STATUS or F_STATUS							
0	0	0	0	0	0	0	0

Table 17. STATUS Description

Field	Description
F_SETUP[f_mode] = 0b00	register 0x00 → DR_STATUS
F_SETUP[f_mode] > 0b00	register 0x00 → F_STATUS

The STATUS register aliases allow for the contiguous burst read of both status and current acceleration sample/FIFO data using the auto-increment addressing mechanism in both 8- and 14-bit modes.

10.1.2 DR_STATUS (0x00) register

Data-Ready Status when F_SETUP[f_mode] = 0x00

This STATUS register provides the acquisition status information on a per-sample basis, and reflects real-time updates to the OUT_X, OUT_Y, and OUT_Z registers.

When the FIFO subsystem data output register driver is disabled (F_SETUP[f_mode] = 0b00), this register indicates the real-time status information of the accelerometer X, Y, and Z axes sample data.

Table 18. DR_STATUS register

zyxow	zow	yow	xow	zyxdr	zdr	ydr	xdr
0	0	0	0	0	0	0	0

Table 19. DR_STATUS description

Field	Description
zyxow	zyxow is set to 1 whenever new data is acquired before completing the retrieval of the previous set. This event occurs when the content of at least one acceleration data register (that is, OUT_X, OUT_Y, and OUT_Z) has been overwritten. zyxow is cleared when the high-bytes of the acceleration data (OUT_X_MSB, OUT_Y_MSB, and OUT_Z_MSB) are read. X, Y, Z-axis data overwrite. 0: No data overwrite has occurred 1: Previous X, Y, Z data was overwritten by new X, Y, Z data before it was completely read
zow	zow is set to 1 whenever a new Z-axis acquisition is completed before the retrieval of the previous data. When this occurs the previous data is overwritten. zow is cleared anytime OUT_Z_MSB register is read. Z-axis data overwrite. 0: No data overwrite has occurred 1: Previous Z-axis data was overwritten by new Z-axis data before it was read
yow	yow is set to 1 whenever a new Y-axis acquisition is completed before the retrieval of the previous data. When this occurs the previous data is overwritten. yow is cleared anytime OUT_Y_MSB register is read. Y-axis data overwrite. 0: No data overwrite has occurred 1: Previous Y-axis data was overwritten by new Y-axis data before it was read
xow	xow is set to 1 whenever a new X-axis acquisition is completed before the retrieval of the previous data. When this occurs the previous data is overwritten. xow is cleared anytime OUT_X_MSB register is read. X-axis data overwrite. 0: No data overwrite has occurred 1: Previous X-axis data was overwritten by new X-axis data before it was read

Table 19. DR_STATUS description (Continued)

zyxdr	zyxdr signals that a new acquisition for any of the enabled channels is available. zyxdr is cleared when the high-bytes of the acceleration data (OUT_X_MSB, OUT_Y_MSB, OUT_Z_MSB) are read. X, Y, Z-axis new data ready. 0: No new set of data ready 1: New set of data is ready
zdr	zdr is set to 1 whenever a new Z-axis data acquisition is completed. zdr is cleared anytime the OUT_Z_MSB register is read. Z-axis new data available. 0: No new Z-axis data is ready 1: New Z-axis data is ready
ydr	ydr is set to 1 whenever a new Y-axis data acquisition is completed. ydr is cleared anytime the OUT_Y_MSB register is read. Y-axis new data available. Default value: 0 0: No new Y-axis data ready 1: New Y-axis data is ready
xdr	xdr is set to 1 whenever a new X-axis data acquisition is completed. xdr is cleared anytime the OUT_X_MSB register is read. X-axis new data available. Default value: 0 0: No new X-axis data ready 1: New X-axis data is ready

10.1.3 F_STATUS (0x00) register

FIFO Status when F_SETUP[f_mode] = 0x00 > 0x00.

If the FIFO subsystem data output register driver is enabled, the status register indicates the current status information of the FIFO subsystem.

Table 20. F_STATUS register

f_ovf	f_wmrk_flag	f_cnt[5:0]
0	0	0b00_0000

Table 21. FIFO flag event descriptions

f_ovf	f_wmrk_flag	Event description
0	X	No FIFO overflow events detected.
1	X	FIFO overflow event detected.
X	0	No FIFO watermark event detected.
X	1	A FIFO Watermark event was detected indicating that a FIFO sample count greater than watermark value has been reached. If F_SETUP[f_mode] = 0b11, a FIFO trigger event was detected

The *f_ovf* and *f_wmrk_flag* flags remain asserted while the event source is still active, but the user can clear the FIFO interrupt bit in the interrupt source register (INT_SOURCE) by reading the F_STATUS register. In this case, the INT_SOURCE[src_fifo] bit will be set again when the next data sample enters the FIFO.

Therefore the *f_ovf* bit will remain asserted while the FIFO has overflowed and the *f_wmrk_flag* bit will remain asserted while the *f_cnt* value is equal to or greater than then *f_wmrk* value.

Table 22. FIFO sample count bit description

Field	Description
f_cnt[5:0]	These bits indicate the number of acceleration samples currently stored in the FIFO buffer. Count 0b00_0000 indicates that the FIFO is empty. FIFO sample counter. Default value 0b00_0000. (0b00_0001 to 0b10_0000 indicates 1 to 32 samples stored in FIFO)

10.1.4 TRIG_CFG (0x0A) register

FIFO trigger configuration register. After the interrupt flag of the enabled event in TRIG_CFG is set, the FIFO (when configured in Trigger mode) is gated at the time of the interrupt event preventing the further collection of data samples. This allows the host processor to analyze the data leading up to the event detection (up to 32 samples). For detailed information on how to utilize the FIFO and the various trigger events, please see AN4073 available on the Freescale website.

Table 23. TRIG_CFG register

—	—	trig_trans	trig_Indprt	trig_pulse	trig_ffmt	trig_a_vecm	—
0	0	0	0	0	0	0	0

Table 24. TRIG_CFG bit descriptions

Field	Description
trig_trans	Transient interrupt FIFO trigger enable.
trig_Indprt	Landscape/Portrait orientation interrupt FIFO trigger enable.
trig_pulse	Pulse interrupt FIFO trigger enable
trig_ffmt	Freefall/motion interrupt FIFO trigger enable
trig_a_vecm	Acceleration vector-magnitude FIFO trigger enable.

10.1.5 SYSMOD (0x0B) register

Table 25. SYSMOD register

fgerr	fgt[4:0]	sysmod[1:0]
0b0	0b0_0000	0b00

Table 26. SYSMOD bit description

Field	Description
fgerr	FIFO gate error. Default value: 0. 0: No FIFO gate error detected. 1: FIFO gate error was detected. Emptying the FIFO buffer clears the <i>fgerr</i> bit in the SYSMOD register. See CTRL_REG3 [Interrupt CTRL register] (0x2C) for more information on configuring the FIFO Gate function.
fgt[4:0]	Number of ODR time units since <i>fgerr</i> was asserted. Reset when <i>fgerr</i> is cleared
sysmod[1:0]	System mode. Default value: 0b00. 0b00: Standby mode 0b01: Wake mode 0b01: Sleep mode

The system mode register indicates the current device operating mode. Applications using the Auto-Sleep/Auto-Wake mechanism should use this register to synchronize their application with the device operating mode. The system mode register also indicates the status of the FIFO gate error flag and the time elapsed since the FIFO gate error flag was asserted.

10.1.6 INT_SOURCE (0x0C) register

Interrupt source register. The bits that are set (logic '1') indicate which function has asserted its interrupt and conversely bits that are cleared (logic '0') indicate which function has not asserted its interrupt. Additional interrupt flags for magnetic interrupt events are located in the M_INT_SRC register (0x5E).

Reading the INT_SOURCE register does not clear any interrupt status bits (except for *src_a_vecm*, see below); the respective interrupt flag bits are reset by reading the appropriate source register for the function that generated the interrupt.

Table 27. INT_SOURCE register

src_aslp	src_fifo	src_trans	src_Indprt	src_pulse	src_ffmt	src_a_vecm	src_drdy
0	0	0	0	0	0	0	0

Table 28. INT_SOURCE bit descriptions

Field	Description
src_aslp	Auto-Sleep/Wake interrupt status bit: logic '1' indicates that an interrupt event that can cause a Wake-to-Sleep or Sleep-to-Wake system mode transition has occurred and logic '0' indicates that no Wake-to-Sleep or Sleep-to-Wake system mode transition interrupt event has occurred. The "Wake-to-Sleep" transition occurs when a period of inactivity that exceeds the user-specified time limit (ASLP_COUNT) has been detected, thus causing the system to transition to a user-specified low ODR setting. A "Sleep-to-Wake" transition occurs when the user-specified interrupt event has awakened the system, thus causing the system to transition to the user-specified higher ODR setting. Reading the SYSMOD register will clear the <i>src_aslp</i> bit.
src_fifo	FIFO interrupt status bit: logic '1' indicates that a FIFO interrupt event such as an overflow or watermark (F_STATUS[f_cn] = F_STATUS[f_wmrk]) event has occurred and logic '0' indicates that no FIFO interrupt event has occurred. This bit is cleared by reading the F_STATUS register.
src_trans	Transient interrupt status bit: logic '1' indicates that an acceleration transient value greater than user-specified threshold has occurred. and logic '0' indicates that no transient event has occurred. This bit is asserted whenever TRANSIENT_SRC[ea] is asserted and the functional block interrupt has been enabled. This bit is cleared by reading the TRANSIENT_SRC register.
src_Indprt	Landscape/Portrait orientation interrupt status bit: logic '1' indicates that an interrupt was generated due to a change in the device orientation status and logic '0' indicates that no change in orientation status was detected. This bit is asserted whenever PL_STATUS[new/p] is asserted and the functional block interrupt has been enabled. This bit is cleared by reading the PL_STATUS register.
src_pulse	Pulse interrupt status bit: logic '1' indicates that an interrupt was generated due to single- and/or double- pulse event and logic '0' indicates that no pulse event was detected. This bit is asserted whenever PULSE_SRC[ea] is asserted and the functional block interrupt has been enabled. This bit is cleared by reading the PULSE_SRC register.
src_ffmt	Freefall/motion interrupt status bit: logic '1' indicates that the freefall/motion function interrupt is active and logic '0' indicates that no freefall or motion event was detected. This bit is asserted whenever A_FFMT_SRC[ea] is asserted and the functional block interrupt has been enabled. This bit is cleared by reading the A_FFMT_SRC register.
src_a_vecm	Accelerometer vector-magnitude interrupt status bit: logic '1' indicates that an interrupt was generated due to acceleration vector-magnitude function and logic '0' indicates that no interrupt has been generated. This bit is cleared by reading this register (INT_SOURCE).
src_drdy	Data-ready interrupt status bit. In acceleration only mode this bit indicates that new accelerometer data is available to read. In magnetometer only mode, <i>src_drdy</i> indicates that new magnetic data is available to be read. In hybrid mode, this bit signals that new acceleration and/or magnetic data is available. The <i>src_drdy</i> interrupt flag is cleared by reading out the acceleration data in accelerometer only mode and by reading out the magnetic data in magnetometer only or hybrid modes. In hybrid mode and with M_CTRL_REG2[hyb_autoinc_mode] = 1, all of the sensor data can be read out in a 12-byte burst read starting at register 0x01 (OUT_X_MSB).

10.1.7 WHO_AM_I (0x0D) register

Table 29. WHO_AM_I register

who_am_i[7:0]
0xC7

Device identification register. This register contains the device identifier which is set to 0xC4 for preproduction devices and 0xC7 for production devices.

10.1.8 CTRL_REG1 (0x2A) register

NOTE

Except for Standby mode selection, the device must be in Standby mode to change any of the fields within CTRL_REG1 (0x2A).

Table 30. CTRL_REG1 register

aslp_rate[1:0]	dr[2:0]	Inoise	f_read	active
0b00	0b001	0	0	0

Table 31. CTRL_REG1 bit descriptions

Field	Description
aslp_rate[1:0]	Configures the auto-wake sample frequency when the device is in Sleep mode. See Table 32 for more information.
dr[2:0]	Output Data Rate (ODR) selection. See Table 32 for more information.
Inoise	Reduced noise and full-scale range mode (analog gain times 2). 0: Normal mode 1: Reduced noise mode; Note that the FSR setting is restricted to $\pm 2 g$ or $\pm 4 g$ mode. This feature cannot be used in $\pm 8 g$ mode.
f_read	Fast-read mode: Data format is limited to the 8-bit MSB for accelerometer output data. The auto-address pointer will skip over the LSB addresses for each axes sample data when performing a burst read operation. 0: Normal mode 1: Fast-read mode
active	Standby/Active. 0: Standby mode 1: Active mode

Table 32. Sleep mode ODR selection

aslp_rate[1]	aslp_rate[0]	Frequency (Hz)
0	0	50
0	1	12.5
1	0	6.25
1	1	1.56

It is important to note that when the device is in Auto-Sleep mode, the system ODR and data rate for all the system functional blocks is overridden by the sleep data rate set by the aslp_rate field. When hybrid mode is enabled, the frequency is one-half of what is shown in [Table 32](#). For example, with aslp_rate = 0b00 the frequency is 25 Hz.

[Table 32](#) shows the various system output data rates (ODR) that may be selected using the dr[2:0] bits. The selected ODR is reduced by a factor of two when the device is operated in hybrid mode.

Table 33. System Output Data Rate selection

dr[2]	dr[1]	dr[0]	ODR accelerometer or magnetometer only modes (Hz)	Period accelerometer or magnetometer only modes (ms)	ODR hybrid mode (Hz)	Period hybrid mode (ms)
0	0	0	800.0	1.25	400	2.5
0	0	1	400.0	2.5	200	5
0	1	0	200.0	5	100	10
0	1	1	100.0	10	50	20
1	0	0	50.0	20	25	80
1	0	1	12.5	80	6.25	160
1	1	0	6.25	160	3.125	320
1	1	1	1.5625	640	0.7813	1280

The *active* bit selects between Standby mode and Active mode. The default value is 0 (Standby mode) on reset.

The *noise* bit selects between normal full dynamic range mode and a high sensitivity, low-noise mode. In low-noise mode the maximum signal that can be measured is $\pm 4 g$. Note: Any thresholds set above 4 *g* will not be reached.

The *f_read* bit selects between normal and fast-read modes where the auto-increment counter will also skip over the LSB data bytes when *f_read* = 1. In hybrid mode and with `M_CTRL_REG2[hyb_autoinc_mode] = 1`, all of the sensor data MSB's can be read out with a single 6-byte burst read starting at the `OUT_X_MSB` register.

NOTE

The *f_read* bit can only be changed while `F_SETUP[f_mode] = 0`.

10.1.9 CTRL_REG2 (0x2B) register

Table 34. CTRL_REG2 register

st	rst	—	smods[1:0]	slpe	mods[1:0]
0	0	0	0b00	0	0b00

Table 35. CTRL_REG2 bit descriptions

Field	Description
st	The <i>st</i> bit activates the accelerometer self-test function. When <i>st</i> is set to 1, a change will occur in the device output levels for each axis, allowing the host application to check the functionality of the transducer and measurement signal chain. Self-Test Enable: 0: Self-Test disabled 1: Self-Test enabled.
rst	The <i>rst</i> bit is used to initiate a software reset. The reset mechanism can be enabled in both Standby and Active modes. When the <i>rst</i> bit is set, the boot mechanism resets all functional block registers and loads the respective internal registers with their default values. Refer to FXOS8700CQER for further information and a suggested work-around. After setting the <i>rst</i> bit, the system will automatically transition to Standby mode. Therefore, if the system was already in Standby mode, the reboot process will immediately begin; else if the system was in Active mode the boot mechanism will automatically transition the system from Active mode to Standby mode, only then can the reboot process begin. A system reset can also be initiated by pulsing the external RST pin high. The I ² C and SPI communication systems are also reset to avoid corrupted data transactions. On issuing a Software Reset command over an I ² C interface, the device immediately resets and does not send any acknowledgment (ACK) of the written byte to the Master. The host application has to implement the I ² C driver in such a way that it does not look for an ACK following a soft reset command. Also, the host application should allow 1 ms between issuing a software (setting <i>rst</i> bit) or hardware (pulsing RST pin) reset and attempting communications with the device over the I ² C or SPI interfaces. When the SPI interface mode is desired and multiple devices are present on the bus, make sure that the bus is quiet (all slave device MISO pins are high-z) during this 1 ms period to ensure the device does not inadvertently enter I ² C mode. See Section 5.2.3 for further information about the interface mode auto-detection circuit. At the end of the boot process, the <i>rst</i> bit is hardware cleared. 0: Device reset disabled 1: Device reset enabled.
smods[1:0]	Accelerometer Sleep mode OSR mode selection. This setting, along with the <code>CTRL_REG1[aslp_rate]</code> ODR setting determines the Sleep mode power and noise for acceleration measurements. See Table 32 and Table 36 for more information.

Table 35. CTRL_REG2 bit descriptions

slpe ⁽¹⁾	Auto-Sleep mode enable: 0: Auto-Sleep is not enabled 1: Auto-Sleep is enabled.
mods[1:0]	Accelerometer Wake mode OSR mode selection. This setting, along with the ODR selection (CTRL_REG1[dr]) determines the Wake mode power and noise for acceleration measurements. See Table 36 and Table 37 for more information.

1. When slpe = 1, a transition between Sleep mode and Wake mode (or vice-versa) results in a FIFO flush and resets all of the internal functions debounce counters. All functional block status information is preserved except where otherwise indicated. For further information, refer to the CTRL_REG3 register description (*fifo_gate* bit).

Table 36. CTRL_REG2[(s)mods] oversampling modes

(s)mods[1]	(s)mods[0]	Power mode
0	0	Normal
0	1	Low Noise, Low Power
1	0	High Resolution
1	1	Low Power

Table 37. Oversampling Ratio versus oversampling mode

Accelerometer OSR				
ODR (Hz)	Normal	Low Noise, Low Power	High Resolution	Low Power
1.5625	128	32	1024	16
6.25	32	8	256	4
12.5	16	4	128	2
50	4	4	32	2
100	4	4	16	2
200	4	4	8	2
400	4	4	4	2
800	2	2	2	2

10.1.10 CTRL_REG3 [Interrupt Control Register] (0x2C) register

Table 38. CTRL_REG3 register

fifo_gate	wake_trans	wake_Indprt	wake_pulse	wake_ffmt	wake_a_vecm	ipol	pp_od
0	0	0	0	0	0	0	0

Table 39. CTRL_REG3 bit descriptions

Field	Description
fifo_gate	<p>0: FIFO gate is bypassed. FIFO is flushed upon the system mode transitioning from Wake-to-Sleep mode or from Sleep-to-Wake mode.</p> <p>1: The FIFO input buffer is blocked from accepting new samples when transitioning from “Wake-to-Sleep” mode or from “Sleep-to-Wake” mode until the FIFO is flushed⁽¹⁾. Although the system transitions from “Wake-to-Sleep” or from “Sleep-to-Wake” the contents of the FIFO buffer are preserved and new data samples are ignored until the FIFO is emptied by the host application.</p> <p>If the <i>fifo_gate</i> bit is set to logic ‘1’ and the FIFO buffer is not emptied before the arrival of the next sample, then the SYSMOD[<i>fgerr</i>] will be asserted. The SYSMOD[<i>fgerr</i>] bit remains asserted as long as the FIFO buffer remains un-emptied.</p> <p>Emptying the FIFO buffer clears the SYS_MOD[<i>fgerr</i>] register.</p>
wake_tran	<p>0: Transient function is disabled in Sleep mode</p> <p>1: Transient function is enabled in Sleep mode and can generate an interrupt to wake the system</p>
wake_Indprt	<p>0: Orientation function is disabled Sleep mode.</p> <p>1: Orientation function is enabled in Sleep mode and can generate an interrupt to wake the system</p>
wake_pulse	<p>0: Pulse function is disabled in Sleep mode</p> <p>1: Pulse function is enabled in Sleep mode and can generate an interrupt to wake the system</p>
wake_ffmt	<p>0: Freefall/motion function is disabled in Sleep mode</p> <p>1: Freefall/motion function is enabled in Sleep mode and can generate an interrupt to wake the system</p>
wake_a_vecm	<p>0: Acceleration vector-magnitude function is disabled in Sleep mode</p> <p>1: Acceleration vector-magnitude function is enabled in Sleep mode and can generate an interrupt to wake the system</p>
ipol	<p>The <i>ipol</i> The bit selects the logic polarity of the interrupt signals output on the INT1 and INT2 pins.</p> <p>INT1/INT2 interrupt logic polarity:</p> <p>0: Active low (default)</p> <p>1: Active high</p>
pp_od	<p>INT1/INT2 push-pull or open-drain output mode selection. The open-drain configuration can be used for connecting multiple interrupt signals on the same interrupt line but will require an external pullup resistor to function correctly.</p> <p>0: Push-pull (default)</p> <p>1: Open-drain</p>

1. The FIFO contents are flushed whenever the system ODR changes in order to prevent the mixing of FIFO data from different ODR periods.

The wake enable bits for the magnetic threshold and magnetic vector-magnitude functions are located in registers 0x52 (MAG_THS_CFG) and 0x69 (M_VECM_CFG), respectively.

10.1.11 CTRL_REG4 [Interrupt Enable Register] (0x2D) register

Table 40. CTRL_REG4 register

int_en_aslp	int_en_fifo	int_en_trans	int_en_Indprt	int_en_pulse	int_en_ffmt	int_en_a_vecm	int_en_drdy
0	0	0	0	0	0	0	0

Table 41. Interrupt Enable Register bit descriptions

Field	Description
int_en_aslp	Sleep interrupt enable 0: Auto-Sleep/Wake interrupt disabled 1'b1: Auto-Sleep/Wake interrupt enabled
int_en_fifo	FIFO interrupt enable 0: FIFO interrupt disabled 1: FIFO interrupt enabled
int_en_trans	Transient interrupt enable 0: Transient interrupt disabled 1: Transient interrupt enabled
int_en_Indprt	Orientation interrupt enable 0: Orientation (Landscape/Portrait) interrupt disabled 1: Orientation (Landscape/Portrait) interrupt enabled
int_en_pulse	Pulse interrupt enable 0: Pulse detection interrupt disabled 1: Pulse detection interrupt enabled
int_en_ffmt	Freefall/motion interrupt enable 0: Freefall/motion interrupt disabled 1: Freefall/motion interrupt enabled
int_en_a_vecm	Acceleration vector-magnitude interrupt enable 0: Acceleration vector-magnitude interrupt disabled 1: Acceleration vector-magnitude interrupt enabled
int_en_drdy	Data-ready interrupt enable 0: Data-ready interrupt disabled 1: Data-ready interrupt enabled

The corresponding functional block interrupt enable bit allows the functional block to route its event detection flag to the system's interrupt controller. The interrupt controller routes the enabled interrupt signals to either the INT1 or INT2 pins depending on the settings made in CTRL_REG5. Please note that the interrupt enable bits for the magnetic threshold and vector-magnitude interrupts are located in registers 0x52 (MAG_THS_CFG), and 0x69 (M_VECM_CFG), respectively.

10.1.12 CTRL_REG5 [Interrupt Routing Configuration Register] (0x2E) register

Table 42. CTRL_REG5 register

int_cfg_aslp	int_cfg_fifo	int_cfg_trans	int_cfg_Indprt	int_cfg_pulse	int_cfg_ffmt	int_cfg_a_vecm	int_cfg_drdy
0	0	0	0	0	0	0	0

Table 43. Interrupt Routing Configuration bit descriptions

Field	Description
int_cfg_aslp	Sleep interrupt routing 0: Interrupt is routed to INT2 pin 1: Interrupt is routed to INT1 pin
int_cfg_fifo	FIFO interrupt routing 0: Interrupt is routed to INT2 pin 1: Interrupt is routed to INT1 pin
int_cfg_trans	Transient detection interrupt routing 0: Interrupt is routed to INT2 pin 1: Interrupt is routed to INT1 pin
int_cfg_Indprt	Orientation detection interrupt routing 0: Interrupt is routed to INT2 pin 1: Interrupt is routed to INT1 pin
int_cfg_pulse	Pulse detection interrupt routing 0: Interrupt is routed to INT2 pin 1: Interrupt is routed to INT1 pin
int_cfg_ffmt	Freefall/motion detection interrupt routing 0: Interrupt is routed to INT2 pin 1: Interrupt is routed to INT1 pin
int_cfg_a_vecm	Acceleration vector-magnitude interrupt routing 0: Interrupt is routed to INT2 pin 1: Interrupt is routed to INT1 pin.
int_cfg_drdy	Data-ready interrupt routing 0: Interrupt is routed to INT2 pin 1: Interrupt is routed to INT1 pin

Please note that the routing configuration for the magnetic-threshold interrupt is controlled by *m_ths_int_cfg* bit located in register 0x52 (MAG_THS_CFG), and the magnetic vector-magnitude function routing is controlled by *m_vecm_int_cfg* bit in register 0x69 (M_VECM_CFG).

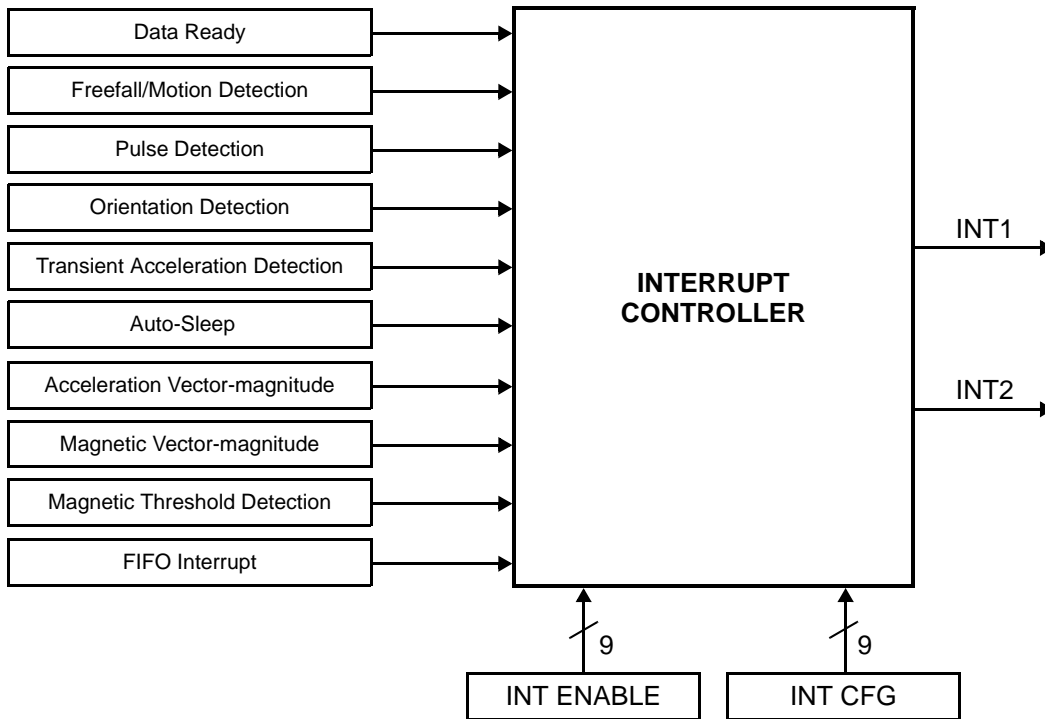


Figure 10. Interrupt controller block diagram

The system's interrupt controller uses the corresponding bit field in the CTRL_REG5 register to determine the routing for the INT1 and INT2 interrupt pins. For example, if the *int_cfg_drdy* bit value is logic '0' the functional block's interrupt is routed to INT2, and if the bit value is logic '1' then the interrupt is routed to INT1. All interrupt signals routed to either INT1 or INT2 are logically OR'ed together as illustrated in Figure 11, thus one or more functional blocks can assert an interrupt pin simultaneously; therefore a host application responding to an interrupt should read the INT_SOURCE register to determine the source(s) of the interrupt(s).

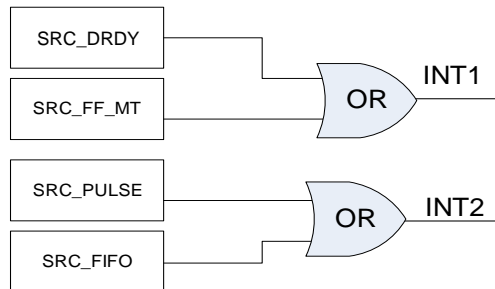


Figure 11. INT1/INT2 PIN Control Logic

10.2 Auto-Sleep trigger

10.2.1 ASLP_COUNT (0x29) register

The ASLP_COUNT register sets the minimum time period of event flag inactivity required to initiate a change from the current active mode ODR value specified in CTRL_REG1[*dr*] to the Sleep mode ODR value specified in CTRL_REG1[*aslp_rate*], provided that CTRL_REG2[*s/pe*] = 1.

See [Table 47](#) for functional blocks that may be monitored for inactivity in order to trigger the return-to-sleep event.

Table 44. ASLP_COUNT register

aslp_cnt[7:0]
0b0000_0000

Table 45. ASLP_COUNT bit description

Field	Description
aslp_cnt[7:0]	See Table 46 for details

Table 46. ASLP_COUNT relationship with ODR

Output Data Rate (ODR)	Maximum inactivity time (s)	ODR time step (ms)	ASLP_COUNT step (ms)
800	81	1.25	320
400	81	2.5	320
200	81	5	320
100	81	10	320
50	81	20	320
12.5	81	80	320
6.25	81	160	320
1.56	63	640	640

Please note that when the device is operated in hybrid mode, the effective ODR is half of what is selected in CTRL_REG1[*dr*]. For example, with ODR = 800 Hz and the device set to hybrid mode, the ASLP_COUNT time step becomes 640 ms.

Table 47. Sleep/Wake mode gates and triggers

Interrupt source	Event restarts time and delays Return-to-Sleep	Event will Wake-from-Sleep
SRC_FIFO	Yes	No
SRC_TRANS	Yes	Yes
SRC_LNDPRT	Yes	Yes
SRC_PULSE	Yes	Yes
SRC_FFMT	Yes	Yes
SRC_ASLP	No*	No*
SRC_Mag	Yes	Yes
SRC_DRDY	No	No
SRC_AVECM	Yes	Yes
SRC_MVECM	Yes	Yes
SRC_MTHS	Yes	Yes

* If the *fifo_gate* bit is set to logic '1', the assertion of the SRC_ASLP interrupt does not prevent the system from transitioning to Sleep or from Wake mode; instead it prevents the FIFO buffer from accepting new sample data until the host application flushes the FIFO buffer.

The interrupt sources listed in [Table 47](#) affect the auto-sleep, return to sleep and wake from sleep mechanism only if they have been previously enabled. The functional block event flags that are bypassed while the system is in Auto-Sleep mode are temporary disabled (see [Section 10.1.10, "CTRL_REG3 \[Interrupt Control Register\] \(0x2C\) register," on page 41 for more information](#)) and are automatically re-enabled when the device returns from Auto-Sleep mode (that is, wakes up), except for the data ready function.

If any of the interrupt sources listed under the Return-to-Sleep column is asserted before the sleep counter reaches the value specified in ASLP_COUNT, then all sleep mode transitions are terminated and the internal sleep counter is reset. If none of the interrupts listed under the Return-to-Sleep column are asserted within the time limit specified by the ASLP_COUNT register, the system will transition to the Auto-Sleep mode and use the ODR value specified in CTRL_REG1[aslp_rate].

If any of the interrupt sources listed under the “Wake-from-Sleep” column is asserted, then the system will transition out of the low sample rate Auto-Sleep mode to the user-specified Wake mode sample rate provided that the specific wake event function is enabled in register CTRL_REG3.

If the Auto-Sleep interrupt is enabled, a transition from Active mode to Sleep mode and (vice-versa) will generate an interrupt. This interrupt is cleared by reading the SYSMOD (0x0B) register.

If CTRL_REG3[*fifo_gate*] = 1, a transition into Auto-Sleep mode will preserve the FIFO contents and set SYSMOD[*fgerr*] (FIFO Gate error), and prevent the further collection of accelerometer data into the FIFO. The system will wait for the FIFO buffer to be emptied by the host application before new samples can be acquired.

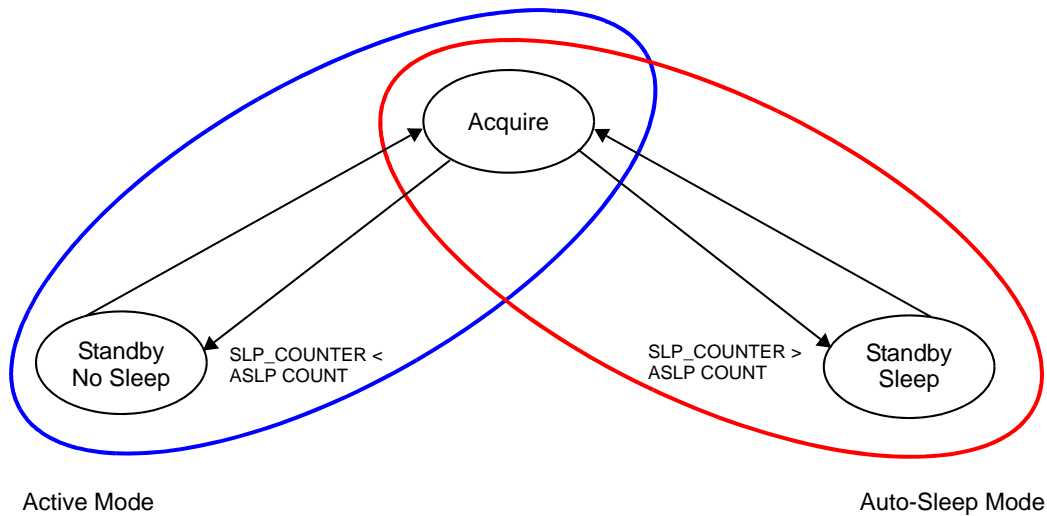


Figure 12. Auto-Sleep state transition diagram

10.3 Temperature

10.3.1 TEMP (0x51) register

Eight-bit 2's complement sensor temperature value with 0.96 °C/LSB sensitivity. Temperature data is only valid between -40 °C and 125 °C. The temperature sensor output is only valid when M_CTRL_REG1[m_hms] > 0b00. Please note that the temperature sensor is uncalibrated and its output for a given temperature will vary from one device to the next.

Table 48. TEMP register

die_temperature[7:0]

10.4 Accelerometer output data registers

10.4.1 OUT_X_MSB (0x01), OUT_X_LSB (0x02), OUT_Y_MSB (0x03), OUT_Y_LSB (0x04), OUT_Z_MSB (0x05), OUT_Z_LSB (0x06) registers

These registers contain the X-axis, Y-axis, and Z-axis 14-bit left-justified sample data expressed as 2's complement numbers.

The sample data output registers store the current sample data if the FIFO buffer function is disabled, but if the FIFO buffer function is enabled the sample data output registers then point to the head of the FIFO buffer which contains up to the previous 32 X, Y, and Z data samples.

The data is read out in the following order: Xmsb, Xlsb, Ymsb, Ylsb, Zmsb, Zlsb for CTRL_REG1[*f_read*] = 0, and Xmsb, Ymsb, Zmsb for CTRL_REG1[*f_read*] = 1. If the device is operating in hybrid mode and M_CTRL_REG2[*hyb_autoinc_mode*] = 1, The data read out order is acceleration Xmsb, Xlsb, Ymsb, Ylsb, Zmsb, and Zlsb followed by magnetic data Xmsb, Xlsb, Ymsb, Ylsb, Zmsb, Zlsb. Similarly, for CTRL_REG1[*f_read*] = 1, only the MSB's of the acceleration and magnetic data are read out in the same axis order.

If the CTRL_REG1[*f_read*] bit is set, auto-increment will skip over the LSB registers. This will shorten the data acquisition from six bytes to three bytes. If the LSB registers are directly addressed, the LSB information can still be read regardless of the CTRL_REG1[*f_read*] register setting.

If the FIFO data output register driver is enabled (F_SETUP[*f_mode*] > 0b00), register 0x01 points to the head of the FIFO buffer, while registers 0x02, 0x03, 0x04, 0x05, 0x06 return a value of zero when read directly.

The DR_STATUS registers, OUT_X_MSB, OUT_X_LSB, OUT_Y_MSB, OUT_Y_LSB, OUT_Z_MSB, and OUT_Z_LSB are located in the auto-incrementing address range of 0x00 to 0x06, allowing all of the acceleration data to be read in a single-burst read of six bytes starting at the OUT_X_MSB register. If the device is operating in hybrid mode and M_CTRL_REG2[*hyb_autoinc_mode*] = 1, the magnetometer data can also be read out in the same axis and endian order by executing a burst read of 12 bytes starting at register OUT_X_MSB.

Table 49. OUT_X_MSB register

xd[13:6]

Table 50. OUT_X_LSB register

xd[5:0]	—	—
---------	---	---

Table 51. OUT_Y_MSB register

yd[13:6]

Table 52. OUT_Y_LSB register

yd[5:0]	—	—
---------	---	---

Table 53. OUT_Z_MSB register

zd[13:6]

Table 54. OUT_Z_LSB register

zd[5:0]	—	—
---------	---	---

10.5 Accelerometer FIFO

10.5.1 F_SETUP (0x09) register

Table 55. F_SETUP register

f_mode[1:0]	f_wmrk[5:0]
0	0b00_0000

Table 56. F_SETUP bit descriptions

Field	Description
f_mode[1:0] ⁽¹⁾⁽²⁾⁽³⁾	<p>FIFO buffer operating mode.</p> <p>0b00: FIFO is disabled.</p> <p>0b01: FIFO contains the most recent samples when overflowed (circular buffer). Oldest sample is discarded to be replaced by new sample.</p> <p>0b10: FIFO stops accepting new samples when overflowed.</p> <p>0b11: FIFO trigger mode.</p> <p>The FIFO is flushed whenever the FIFO is disabled, during an automatic ODR change (Auto-Wake/Sleep), or on a transition from Standby mode to Active mode.</p> <p>Disabling the FIFO (<i>f_mode</i> = 0b00) resets the F_STATUS[<i>f_ovf</i>], F_STATUS[<i>f_wmrk_flag</i>], F_STATUS[<i>f_cnt</i>] status flags to zero.</p> <p>A FIFO overflow event (that is, F_STATUS[<i>f_cnt</i>] = 32) will assert the F_STATUS[<i>f_ovf</i>] flag.</p>
f_wmrk[5:0] ⁽²⁾	<p>FIFO sample count watermark.</p> <p>These bits set the number of FIFO samples required to trigger a watermark interrupt. A FIFO watermark event flag F_STATUS[<i>f_wmk_flag</i>] is raised when FIFO sample count F_STATUS[<i>f_cnt</i>] value is equal to or greater than the <i>f_wmrk</i> watermark.</p> <p>Setting the <i>f_wmrk</i> to 0b00_0000 will disable the FIFO watermark event flag generation.</p> <p>This field is also used to set the number of pre-trigger samples in trigger mode (<i>f_mode</i> = 0b11).</p>

1. This bit field can be written in Active mode.
2. This bit field can be written in Standby mode.
3. The FIFO mode (*f_mode*) cannot be switched between operational modes (0b01, 0b10 and 0b11).

A FIFO sample count exceeding the watermark event does not stop the FIFO from accepting new data.

The FIFO update rate is dictated by the selected system ODR. In Active mode the ODR is set by CTRL_REG1[*odr*] and when Auto-Sleep is active, the ODR is set by CTRL_REG1[*aslp_rate*] bit fields.

When data is read from the FIFO buffer, the oldest sample data in the buffer is returned and also deleted from the front of the FIFO, while the FIFO sample count is decremented by one. It is assumed that the host application will use the I²C or SPI burst read transactions to dump the FIFO contents. If the FIFO X, Y, and Z data is not completely read in one burst read transaction, the next read will start at the next FIFO location X-axis data. If the Y or Z data is not read out in the same burst transaction as the X-axis data, it will be lost.

In Trigger mode, the FIFO is operated as a circular buffer and will contain up to the 32 most recent acceleration data samples. The oldest sample is discarded and replaced by the current sample, until a FIFO trigger event occurs. After a trigger event occurs, the FIFO will continue to accept samples only until overflowed, after which point the newest sample data is discarded. For more information on using the FIFO buffer and the various FIFO operating modes, please refer to Freescale application note AN4073.

10.6 Accelerometer sensor data configuration

10.6.1 XYZ_DATA_CFG (0x0E) register

The XYZ_DATA_CFG register is used to configure the desired acceleration full-scale range, and also to select whether the output data is passed through the high-pass filter.

Table 57. XYZ_DATA_CFG register

—	—	—	hpf_out	—	—	fs[1:0]
0	0	0	0	0	0	0b00

Table 58. XYZ_DATA_CFG bit descriptions

Field	Description
hpf_out	Enable high-pass filter on acceleration output data 1: Output data is high-pass filtered 0: High-pass filter is disabled.
fs[1:0]	Accelerometer full-scale range selection. See Table 59

Table 59.

fs[1]	fs[0]	Sensitivity	Full-Scale range
0	0	±0.244 mg/LSB	±2 g
0	1	±0.488 mg/LSB	±4 g
1	0	±0.976 mg/LSB	±8 g
1	1	Reserved	—

10.7 Accelerometer High-Pass filter

10.7.1 HP_FILTER_CUTOFF (0x0F) register

High-pass filter cutoff frequency setting register.

Table 60. HP_FILTER_CUTOFF register

—	—	pulse_hpf_byp	pulse_lpf_en	—	—	sel[1:0]
0	0	0	0	0	0	0b0

Table 61. HP_FILTER_CUTOFF bit descriptions

Field	Description
pulse_hpf_byp	Bypass high-pass filter for pulse processing function 0: HPF enabled for pulse processing 1: HPF bypassed for pulse processing
pulse_lpf_en	Enable low-pass filter for pulse processing function 0: LPF disabled for pulse processing 1: LPF enabled for pulse processing
sel[1:0]	HPF cutoff frequency selection See Table 62 .

Table 62. HP_FILTER_CUTOFF

High-Pass cutoff frequency (Hz)								
ODR (Hz)	sel = 0b00				sel = 0b01			
	Normal	LPLN	High resolution	Low power	Normal	LPLN	High resolution	Low power
800	16	16	16	16	8	8	8	8
400	16	16	16	8	8	8	8	4
200	8	8	16	4	4	4	8	2
100	4	4	16	2	2	2	8	1
50	2	2	16	1	1	1	8	0.5
12.5	2	0.5	16	0.25	1	0.25	8	0.125
6.25	2	0.25	16	0.125	1	0.125	8	0.063
1.56	2	0.063	16	0.031	1	0.031	8	0.016
ODR (Hz)	sel = 0b10				sel = 0b11			
	Normal	LPLN	High resolution	Low power	Normal	LPLN	High resolution	Low power
800	4	4	4	4	2	2	2	2
400	4	4	4	2	2	2	2	1
200	2	2	4	1	1	1	2	0.5
100	1	1	4	0.5	0.5	0.5	2	0.25
50	0.5	0.5	4	0.25	0.25	0.25	2	0.125
12.5	0.5	0.125	4	0.063	0.25	0.063	2	0.031
6.25	0.5	0.063	4	0.031	0.25	0.031	2	0.016
1.56	0.5	0.016	4	0.008	0.25	0.008	2	0.004

Please note that when the part is operated in hybrid mode, the ODR is reduced by a factor of two, which also affects the filter cutoff frequency. For example, an ODR setting of 400 Hz in accelerometer only mode with HP_FILTER_CUTOFF[sel] = 0b10 sets the cutoff frequency at 4 Hz. If the part is operated in Hybrid mode, the effective ODR becomes 200 Hz and the cutoff frequency is now 2 Hz for the same ODR and HP_FILTER_CUTOFF[sel] settings.

10.8 Portrait/Landscape Detection

The FXOS8700CQ is capable of detecting six orientations: Landscape Left, Landscape Right, Portrait Up, and Portrait Down with Z-lockout feature as well as Face Up and Face Down orientation as shown in Figures 13, 14 and 15. For more details on the meaning of the different user-configurable settings and for example code, please refer to Freescale application note AN4068.

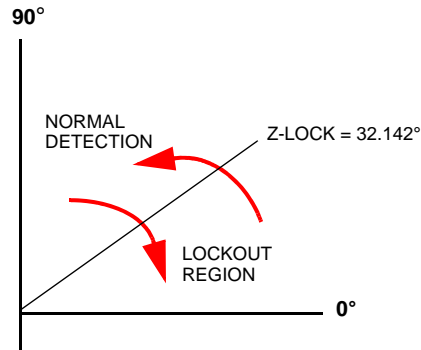


Figure 13. Illustration of Z-tilt angle lockout transition

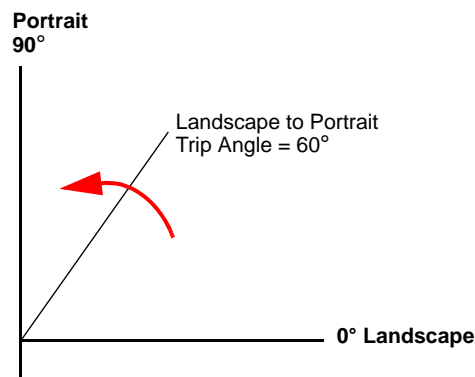


Figure 14. Illustration of landscape to portrait transition

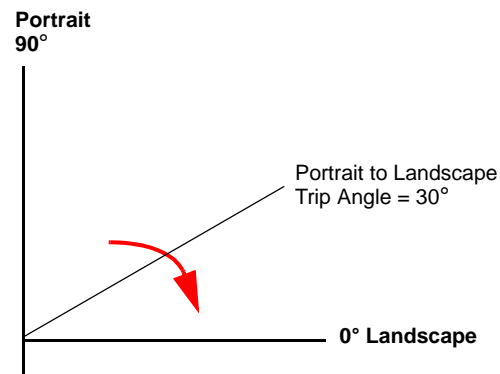


Figure 15. Illustration of portrait to landscape transition

10.8.1 PL_STATUS (0x10) register

This status register can be read to get updated information on any change in orientation by reading bit 7, or the specifics of the orientation by reading the other bits. For further understanding of Portrait Up, Portrait Down, Landscape Left, Landscape Right, Back and Front orientations please refer to [Figure 15](#). The interrupt is cleared when reading the PL_STATUS register.

Table 63. PL_STATUS register

newlp	lo	—	—	—	lapo[1:0]	bafro
0	0	0	0	0	0b00	0

Table 64. PL_STATUS bit descriptions

Field	Description
newlp	Landscape/Portrait status change flag. 0: No change 1: BAFRO and/or LAPO and/or Z-tilt lockout value has changed
lo	Z-tilt angle lockout. 0: Lockout condition has not been detected. 1: Z-tilt lockout trip angle has been exceeded. Lockout condition has been detected.
lapo[1:0] ⁽¹⁾	Landscape/Portrait orientation. 0b00: Portrait up: equipment standing vertically in the normal orientation 0b01: Portrait down: equipment standing vertically in the inverted orientation 0b10: Landscape right: equipment is in landscape mode to the right 0b11: Landscape left: equipment is in landscape mode to the left.
bafro	Back or front orientation. 0: Front: equipment is in the front facing orientation. 1: Back: equipment is in the back facing orientation.

1. The default powerup state is *bafro*(Undefined), *lapo*(Undefined), and no lockout for orientation function.

The *newlp* bit is set to 1 after the first orientation detection after a Standby to Active transition, and whenever a change in *lo*, *bafro*, or *lapo* occurs. The *newlp* bit is cleared anytime the PL_STATUS register is read. *lapo*, *bafro* and *lo* continue to change when *newlp* is set. The current orientation is locked if the absolute value of the acceleration experienced on any of the three axes is greater than 1.25 *g*.

10.8.2 PL_CFG (0x11) register

This register enables the Portrait/Landscape function and sets the behavior of the debounce counter.

Table 65. PL_CFG register

dbcntm	pl_en	—	—	—	—	—	—
1	0	0	0	0	0	0	0

Table 66. PL_CFG bit descriptions

Field	Description
dbcntm	Debounce counter mode selection. 0: Decrements debounce whenever condition of interest is no longer valid. 1: Clears counter whenever condition of interest is no longer valid.
pl_en	Portrait/Landscape detection enable. 0: Portrait/Landscape detection is disabled. 1: Portrait/Landscape detection is enabled.

10.8.3 PL_COUNT (0x12) register

This register sets the debounce count for the orientation state transition. The minimum debounce latency is determined by the system ODR value and the value of the PL_COUNT register. Any change to the system ODR or a transition from Active-to-Standby (or vice-versa) resets the internal landscape/portrait internal debounce counters. When the device is operated in hybrid mode, the effective ODR will be half of what is selected by the user, which will also affect the debounce time. For example, if an ODR of 400 Hz is selected and the part is also in hybrid mode, the effective ODR is 200 Hz, and the effective debounce time step is 5 ms instead of 2.5 ms.

Table 67. PL_COUNT register

dbnce[7:0]
0b0000_0000

Table 68. PL_Count Relationship with the ODR

ODR (Hz)	Max time range (s)				Time step (ms)			
	Normal	LPLN	High resolution	Low power	Normal	LPLN	High resolution	Low power
800	0.319	0.319	0.319	0.319	1.25	1.25	1.25	1.25
400	0.638	0.638	0.638	0.638	2.5	2.5	2.5	2.5
200	1.28	1.28	0.638	1.28	5	5	2.5	5
100	2.55	2.55	0.638	2.55	10	10	2.5	10
50	5.1	5.1	0.638	5.1	20	20	2.5	20
12.5	5.1	20.4	0.638	20.4	20	80	2.5	80
6.25	5.1	20.4	0.638	40.8	20	80	2.5	160
1.56	5.1	20.4	0.638	40.8	20	80	2.5	160

10.8.4 PL_BF_ZCOMP (0x13) register

Back/Front and Z-tilt angle compensation register

Table 69. PL_BF_ZCOMP register

bkfr[1:0]	—	—	—	zlock[2:0]
0b10	0	0	0	0b100

Table 70. PL_BF_ZCOMP bit descriptions

Field	Description
zlock[2:0]	Z-lock angle threshold. range is from approximately 13° to 44°. Step size is approximately 4°. See Table 71 for more information. Default value: 0x04 → ~28°. Maximum value: 0x07 → ~44°.
bkfr[1:0]	Back/front trip angle threshold. See Table 72 for more information. Default: 0b10 → ±70°. Step size is 5°. Range: ±(65° to 80°).

Table 71. Z-lockout angle definitions

zlock	Resultant angle (min) for positions between Landscape and Portrait	Resultant angle (max) for ideal Landscape or Portrait
0b000	13.6°	14.5°
0b001	17.1°	18.2°
0b010	20.7°	22.0°
0b011	24.4°	25.9°
0b100	28.1°	30.0°
0b101	32.0°	34.2°
0b110	36.1°	38.7°
0b111	40.4°	43.4°

Table 72. Back/Front orientation definitions

bkfr	Back → Front Transition	Front → Back Transition
0b00	Z < 80° or Z > 280°	Z > 100° and Z < 260°
0b01	Z < 75° or Z > 285°	Z > 105° and Z < 255°
0b10	Z < 70° or Z > 290°	Z > 110° and Z < 250°
0b11	Z < 65° or Z > 295°	Z > 115° and Z < 245°

10.8.5 PL_THS_REG (0x14) register

Portrait to landscape trip threshold registers.

Table 73. PL_THS_REG register

pl_ths[4:0]	hys[2:0]
0b0_1000	0b100

Table 74. Threshold angle lookup table

pl_ths[4:0] value	Threshold angle (approx.)
0x07	15°
0x09	20°
0x0C	30°
0x0D	35°
0x0F	40°
0x10	45°
0x13	55°
0x14	60°
0x17	70°
0x19	75°

Table 75. Trip angles versus hysteresis settings

hys[2:0] value	Landscape to Portrait trip angle	Portrait to Landscape trip angle
0b000	45°	45°
0b001	49°	41°
0b010	52°	38°
0b011	56°	34°
0b100	59°	31°
0b101	62°	28°
0b110	66°	24°
0b111	69°	21°

Table 76. Portrait/Landscape ideal orientation definitions

Position	Description
PU	y ~ -1 g, x ~ 0
PD	y ~ +1 g, x ~ 0
LR	y ~ 0, x ~ +1 g
LL	y ~ 0, x ~ -1 g

10.9 Frefall and Motion detection

The Frefall/Motion detection block can be configured to detect low-g (freefall) or high-g (motion) events utilizing the A_FFMT_CFG[a_ffmt_oae] bit.

In low-g detect mode (A_FFMT_CFG[a_ffmt_oae] = 0) a low-g condition will need to occur on all enabled axes (ex. X, Y and Z) for the A_FFMT_SRC[a_ffmt_ea] bit to be affected. And, in high-g detect mode (A_FFMT_CFG[a_ffmt_oae] = 1) a high-g condition occurring in any of the enabled axes (ex. X, Y or Z) will suffice to affect the A_FFMT_SRC[a_ffmt_ea] bit.

The detection threshold(s) are programed in register 0x17 (A_FFMT_THS) for common threshold operation, and 0x73-0x78 (A_FFMT_THS_X/Y/Z) for individual axis threshold operation.

A_FFMT_CFG[a_ffmt_ele] bit determines the behavior of A_FFMT_SRC[a_ffmt_ea] bit in response to the desired acceleration event (low-g/high-g). When A_FFMT_CFG[a_ffmt_ele] = 1, the freefall or motion event is latched and the

A_FFMT_SRC[a_ffmt_ea] flag can only be cleared by reading the A_FFMT_SRC register. When A_FFMT_CFG[a_ffmt_ele] = 0, freefall or motion events are not latched, and the A_FFMT_SRC[a_ffmt_ea] bit reflects the real-time status of the event detection.

A_FFMT_THS[a_ffmt_dbcntm] bit determines the debounce filtering behavior of the logic which sets the A_FFMT_SRC[a_ffmt_ea] bit. See Figure 17 for details.

It is possible to enable/disable each axis used in the freefall/motion detection function by configuring bits A_FFMT_CFG[a_ffmt_xefe], A_FFMT_CFG[a_ffmt_yefe], and A_FFMT_CFG[a_ffmt_zefe].

The freefall/motion detection function has the option to use a common 7-bit unsigned threshold for each of the X, Y, Z axes, or individual unsigned 13-bit thresholds for each axis. When A_FFMT_THS_X_MSB[a_ffmt_ths_xyz_en] = 0, the 7-bit threshold value stored in register 0x17 is used as a common 7-bit threshold for the X, Y, and Z axes. When a_ffmt_ths_xyz_en = 1, each axis may be programmed with an individual 13-bit threshold (stored in the A_FFMT_X/Y/Z MSB and LSB registers).

10.9.1 A_FFMT_CFG (0x15) register

Freefall/motion configuration register.

Table 77. A_FFMT_CFG register

a_ffmt_ele	a_ffmt_oae	a_ffmt_zefe	a_ffmt_yefe	a_ffmt_xefe	—	—	—
0	0	0	0	0	0	0	0

Table 78. A_FFMT_CFG bit descriptions

Field	Description
a_ffmt_ele	a_ffmt_ele denotes whether the enabled event flag will be latched in the A_FFMT_SRC register or the event flag status in the A_FFMT_SRC will indicate the real-time status of the event. If a_ffmt_ele bit is set to a logic '1', then the event flags are frozen when the a_ffmt_ea bit gets set, and are cleared by reading the A_FFMT_SRC source register. 0: Event flag latch disabled 1: Event flag latch enabled
a_ffmt_oae	a_ffmt_oae bit allows the selection between motion (logical OR combination of high-g X, Y, Z-axis event flags) and freefall (logical AND combination of low-g X, Y, Z-axis event flags) detection. Motion detect/freefall detect logic selection. 0: Freefall flag (Logical AND combination of low-g X, Y, Z-axis event flags) 1: Motion flag (Logical OR combination of high-g X, Y, Z event flags)
a_ffmt_zefe	a_ffmt_zefe enables the detection of a high- or low-g event when the measured acceleration data on Z-axis is above/below the threshold set in the A_FFMT_THS register. If the a_ffmt_ele bit is set to logic '1' in the A_FFMT_CFG register, new event flags are blocked from updating the A_FFMT_SRC register. 0: Event detection disabled 1: Raise event flag on measured Z-axis acceleration above/below threshold.
a_ffmt_yefe	a_ffmt_yefe enables the detection of a high- or low-g event when the measured acceleration data on Y-axis is above/below the threshold set in the A_FFMT_THS register. If the a_ffmt_ele bit is set to logic '1' in the A_FFMT_CFG register, new event flags are blocked from updating the A_FFMT_SRC register. 0: Event detection disabled 1: Raise event flag on measured Y-axis acceleration above/below threshold.
a_ffmt_xefe	a_ffmt_xefe enables the detection of a high- or low-g event when the measured acceleration data on X-axis is above/below the threshold set in the A_FFMT_THS register. If the a_ffmt_ele bit is set to logic '1' in the A_FFMT_CFG register, new event flags are blocked from updating the A_FFMT_SRC register. 0: Event detection disabled 1: Raise event flag on measured X-axis acceleration above/below threshold.

10.9.2 A_FFMT_SRC (0x16) register

Freefall/motion source register. Read-only register.

This register keeps track of the acceleration event which is triggering (or has triggered, in case of A_FFMT_CFG[a_ffmt_ele] = 1) the event flag. In particular A_FFMT_SRC[a_ffmt_ea] is set to a logic '1' when the logical combination of acceleration event flags specified in A_FFMT_CFG register is true. This bit is used in combination with the values in CTRL_REG4[int_en_ffmt] and CTRL_REG5[int_cfg_ffmt] register bits to generate the freefall/motion interrupts.

Table 79. A_FFMT_SRC register

a_ffmt_ea	—	a_ffmt_zhe	a_ffmt_zhp	a_ffmt_yhe	a_ffmt_yhp	a_ffmt_xhe	a_ffmt_xhp
0	0	0	0	0	0	0	0

Table 80. A_FFMT_SRC bit descriptions

Field	Description
a_ffmt_ea	Event active flag. 0: No event flag has been asserted 1: One or more event flag has been asserted. See the description of the A_FFMT_CFG[a_ffmt_oe] bit to determine the effect of the 3-axis event flags on the a_ffmt_ea bit.
a_ffmt_zhe	Z-high event flag. 0: Event detected 1: Z-high event has been detected This bit always reads zero if the a_ffmt_zefe control bit is set to zero
a_ffmt_zhp	Z-high event polarity flag. 0: Z event was positive <i>g</i> 1: Z event was negative <i>g</i> This bit read always zero if the a_ffmt_zefe control bit is set to zero
a_ffmt_yhe	Y-high event flag. 0: No event detected 1: Y-high event has been detected This bit read always zero if the a_ffmt_yefe control bit is set to zero
a_ffmt_yhp	Y-high event polarity flag. 0: Y event detected was positive <i>g</i> 1: Y event was negative <i>g</i> This bit always reads zero if the a_ffmt_yefe control bit is set to zero
a_ffmt_xhe	X-high event flag. 0: No event detected 1: X-high event has been detected This bit always reads zero if the a_ffmt_xefe control bit is set to zero
a_ffmt_xhp	X-high event polarity flag. 0: X event was positive <i>g</i> 1: X event was negative <i>g</i> This bit always reads zero if the a_ffmt_xefe control bit is set to zero

10.9.3 A_FFMT_THS (0x17), A_FFMT_THS_X_MSB (0x73), A_FFMT_THS_X_LSB (0x74), A_FFMT_THS_Y_MSB (0x75), A_FFMT_THS_Y_LSB (0x76), A_FFMT_THS_Z_MSB (0x77), A_FFMT_THS_Z_LSB (0x78) registers

Freefall/motion detection threshold registers.

Table 81. A_FFMT_THS (0x17) register

a_ffmt_dbcntm	ths[6:0]
0	0b000_0000

Table 82. A_FFMT_THS (0x17) bit descriptions

Field	Description
a_ffmt_dbcntm	<p>The ASIC uses <i>a_ffmt_dbcntm</i> to set the acceleration FFMT debounce counter clear mode independent of the value of the <i>a_ffmt_ths_xyz_en</i>.</p> <p><i>a_ffmt_dbcntm</i> bit configures the way in which the debounce counter is reset when the inertial event of interest is momentarily not true.</p> <p>When <i>a_ffmt_dbcntm</i> bit is a logic '1', the debounce counter is cleared to 0 whenever the inertial event of interest is no longer true (part b, Figure 17) while if the <i>a_ffmt_dbcntm</i> bit is set to logic '0' the debounce counter is decremented by 1 whenever the inertial event of interest is longer true (part c, Figure 17) until the debounce counter reaches 0 or the inertial event of interest become active.</p> <p>The decrementing of the debounce counter acts to filter out irregular spurious events which might impede the correct detection of inertial events.</p>
ths[6:0]	Freefall/motion detection threshold: default value: 0b000_0000. Resolution is fixed at 63 mg/LSB.

Table 83. A_FFMT_THS_X_MSB (0x73) register

a_ffmt_ths_xyz_en	a_ffmt_ths_x[12:6]
0	0b000_0000

Table 84. A_FFMT_THS_X_MSB (0x73) bit descriptions

Field	Description
a_ffmt_ths_xyz_en	<p>For <i>a_ffmt_ths_xyz_en</i> = 0 the ASIC uses the <i>ffmt_ths</i>[6:0] value located in register x17[6:0] as a common threshold for the X, Y, and Z-axis acceleration detection. The common unsigned 7-bit acceleration threshold has a fixed resolution of 63 mg/LSB, with a range of 0-127 counts.</p> <p>For <i>a_ffmt_ths_xyz_en</i> = 1 the ASIC ignores the common 7-bit G_FFMT_THS value located in register x17 when executing the FFMT function, and the following independent threshold values are used for each axis: A_FFMT_THS_X_MSB and A_FFMT_THS_X_LSB are used for the X-axis acceleration threshold, A_FFMT_THS_Y_MSB and A_FFMT_THS_Y_LSB for the Y-axis acceleration threshold, A_FFMT_THS_Z_MSB and A_FFMT_THS_Z_LSB for the Z-axis acceleration threshold.</p> <p>The A_FFMT_THS_X/Y/Z thresholds are 13-bit unsigned values that has a fixed resolution of about 63 mg/LSB. The <i>a_ffmt_ths_xyz_en</i> and <i>a_ffmt_trans_ths_en</i> bits must not be enabled simultaneously.</p>
a_ffmt_ths_x[12:6]	7-bit MSB of X-axis acceleration threshold.

Table 85. A_FFMT_THS_X_LSB (0x74) register

a_ffmt_ths_x[5:0]	—	—
0b00_0000	0	0

Table 86. A_FFMT_THS_Y_MSB (0x75) register

a_ffmt_trans_ths_en	a_ffmt_ths_y[12:6]
0	0b000_0000

Table 87. A_FFMT_THS_Y_LSB (0x76) register

a_ffmt_ths_y[5:0]	—	—
0b00_0000	0	0

Table 88. A_FFMT_THS_Z_MSB (0x77) register

—	a_ffmt_ths_z[12:6]
0	0b000_0000

Table 89. A_FFMT_THS_Z_LSB (0x78) register

a_ffmt_ths_z[5:0]	—	—
0b00_0000	0	0

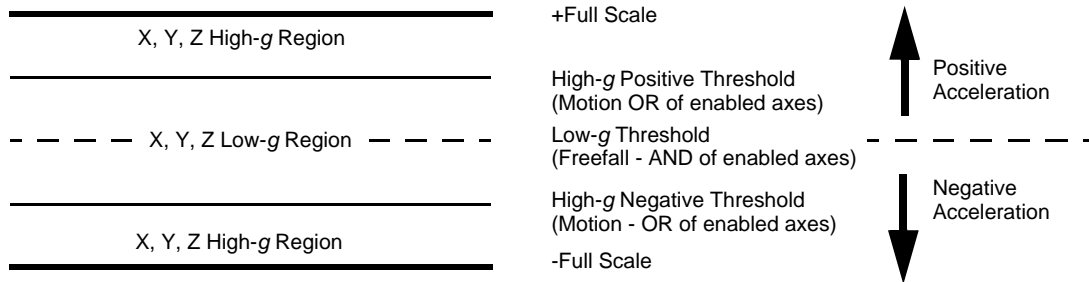


Figure 16. A_FFMT_THS high and low-g level

A_FFMT_THS contains the unsigned 7-bit threshold value used by the freefall/motion detection functional block and is used to detect either low-g (freefall) or high-g (motion) events depending on the setting of G_FFMT_CFG[*f_ffmt_oae*]. If *g_ffmt_oae* = 0, the event is detected when the absolute value of all the enabled axes are below the threshold value. When *g_ffmt_oae* = 1, the event is detected when the absolute value of any of the enabled axes is above the threshold value (see Figure 16 for an illustration of the freefall/motion event detection thresholds). If A_FFMT_THS_X_MSB[*a_ffmt_ths_xyz_en*] = 1, the behavior is identical, except that each axis may be programmed with an individual 13-bit threshold (stored in the A_FFMT_X/Y/Z MSB and LSB registers).

10.9.4 A_FFMT_COUNT (0x18) register

Debounce count register for freefall/motion detection events

This register sets the number of debounce counts for acceleration sample data matching the user-programmed conditions for either a freefall or motion detection event required before the interrupt is triggered.

Table 90. A_FFMT_COUNT register

a_ffmt_count[7:0]
0b0000_0000

Table 91. A_FFMT_COUNT bit description

Field	Description
a_ffmt_count[7:0]	<i>a_ffmt_count</i> defines the minimum number of debounce sample counts required for the detection of a freefall or motion event. A_FFMT_THS[<i>ffmt_dbcntm</i>] determines the behavior of the counter when the condition of interest is momentarily not true.

When the internal debounce counter reaches the A_FFMT_COUNT value a freefall/motion event flag is set. The debounce counter will never increase beyond the A_FFMT_COUNT value. The time step used for the debounce sample count depends on the ODR chosen (see Table 92). When the device is operated in hybrid mode, the effective ODR is half of what is selected in CTRL_REG1. This has the effect of doubling the time-step values shown in Table 92.

Table 92. A_FFMT_COUNT relationship with the ODR

ODR (Hz)	Max time range (s)				Time step (ms)			
	Normal	LPLN	High resolution	Low power	Normal	LPLN	High resolution	LP
800	0.319	0.319	0.319	0.319	1.25	1.25	1.25	1.25
400	0.638	0.638	0.638	0.638	2.5	2.5	2.5	2.5
200	1.28	1.28	0.638	1.28	5	5	2.5	5
100	2.55	2.55	0.638	2.55	10	10	2.5	10
50	5.1	5.1	0.638	5.1	20	20	2.5	20
12.5	5.1	20.4	0.638	20.4	20	80	2.5	80
6.25	5.1	20.4	0.638	40.8	20	80	2.5	160
1.56	5.1	20.4	0.638	40.8	20	80	2.5	160

For example, an ODR of 100 Hz and a A_FFMT_COUNT value of 15 would result in minimum debounce response time of 150 ms. If the device is operated in hybrid mode, the effective debounce response time will be 300 ms for the same settings.

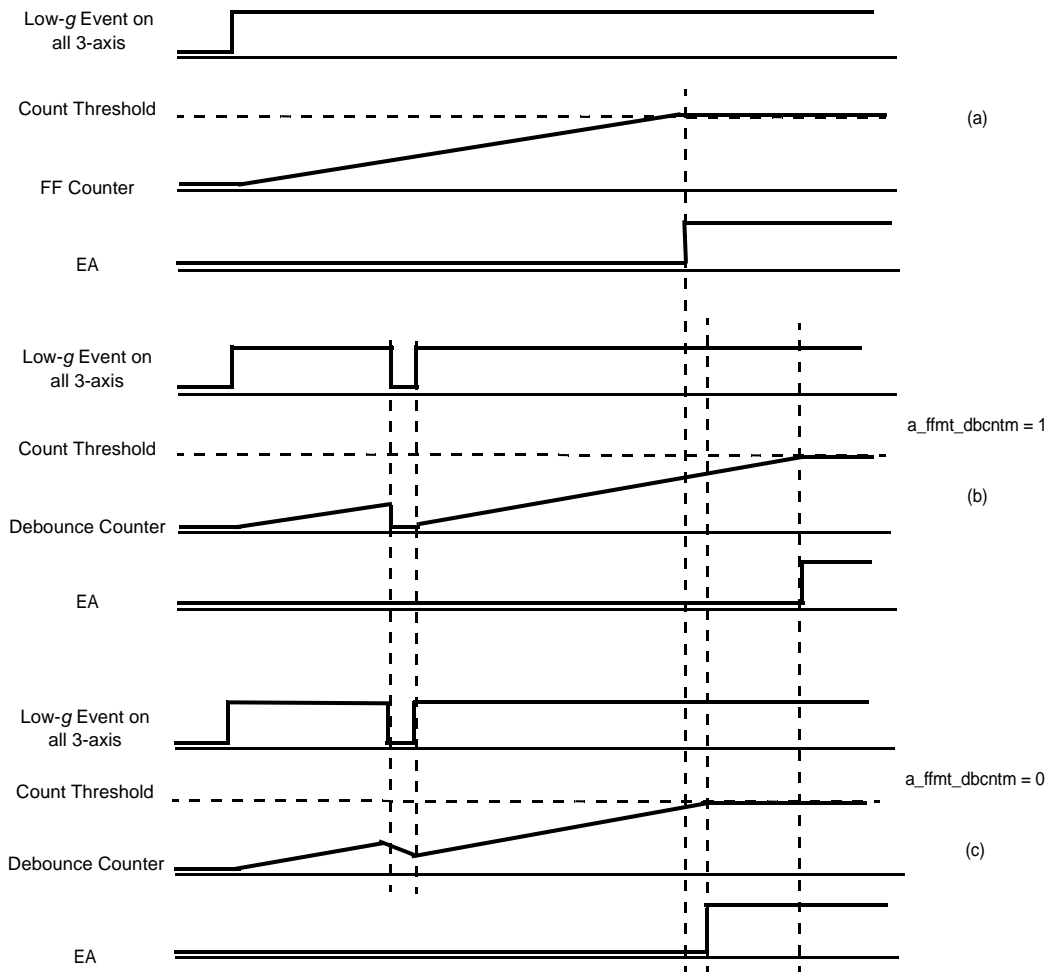


Figure 17. Behavior of the A_FFMT debounce counter in relation to the a_ffmt_dbcntm setting

10.10 Accelerometer vector-magnitude function

The accelerometer vector-magnitude function is an inertial event detection function available to assist host software algorithms in detecting motion events.

If $\sqrt{(a_{x_out} - a_{x_ref})^2 + (a_{y_out} - a_{y_ref})^2 + (a_{z_out} - a_{z_ref})^2} > A_VECM_THS$ for a time period greater than the value stored in `A_VECM_CNT`, the vector-magnitude change event flag is triggered.

`a_x_out`, `a_y_out`, and `a_z_out` are the current accelerometer output values, and `a_x_ref`, `a_y_ref`, and `a_z_ref` are the reference values stored internally in the ASIC for each axis or in `A_VECM_INIT_X/Y/Z` registers if `A_VECM_CFG[a_vecm_initm]` is set.

Please note that the `x_ref`, `y_ref`, and `z_ref` values are not directly visible to the host application through the register interface. Please refer to Freescale application note 4458.

10.10.1 A_VECM_CFG (0x5F) register

Table 93. A_VECM_CFG register

—	<code>a_vecm_ele</code>	<code>a_vecm_initm</code>	<code>a_vecm_updm</code>	<code>a_vecm_en</code>	—	—	—
0	0	0	0	0	0	0	0

Table 94. A_VECM_CFG bit descriptions

Field	Description
<code>a_vecm_ele</code>	Control bit <code>a_vecm_ele</code> defines the event latch enable mode. Event latching is disabled for <code>a_vecm_ele = 0</code> . In this case, the vector-magnitude interrupt flag is in updated real-time and is cleared when the condition for triggering the interrupt is no longer true. The setting and clearing of the event flag is controlled by the <code>A_VECM_CNT</code> register's programmed debounce time. For <code>a_vecm_ele = 1</code> , the interrupt flag is latched in and held until the host application reads the <code>INT_SOURCE</code> register (0x0C).
<code>a_vecm_initm</code>	Control bit <code>a_vecm_initm</code> defines how the initial reference values (<code>x_ref</code> , <code>y_ref</code> , and <code>z_ref</code>) are chosen. For <code>a_vecm_initm = 0</code> the function uses the current x/y/z accelerometer output data at the time when the vector magnitude function is enabled. For <code>a_vecm_initm = 1</code> the function uses the data from <code>A_VECM_INIT_X/Y/Z</code> registers as the initial reference values.
<code>a_vecm_updm</code>	Control bit <code>a_vecm_updm</code> defines how the reference values are updated once the vector-magnitude function has been triggered. For <code>a_vecm_updm = 0</code> , the function updates the reference value with the current x, y, and z accelerometer output data values. For <code>a_vecm_updm = 1</code> , the function does not update the reference values when the interrupt is triggered. Instead the function continues to use the reference values that were loaded when the function was enabled. If both <code>a_vecm_initm</code> and <code>a_vecm_updm</code> are set to logic '1', the host software can manually update the reference values in real time by writing to the <code>A_VECM_INITX,Y,Z</code> registers.
<code>a_vecm_en</code>	The accelerometer vector-magnitude function is enabled by setting <code>a_vecm_en = 1</code> , and disabled by clearing this bit (default). The reference values are loaded with either the current X/Y/Z acceleration values or the values stored in the <code>A_VECM_INIT_X/Y/Z</code> registers, depending on the state of the <code>a_vecm_initm</code> bit. Note: The vector-magnitude function will only perform correctly up to a maximum ODR of 400 Hz.

10.10.2 A_VECM_THS_MSB (0x60) register

Table 95. A_VECM_THS_MSB register

a_vecm_dbcntm	—	—	a_vecm_ths[12:8]
0	0	0	0b0_0000

Table 96. A_VECM_THS_MSB bit descriptions

Field	Description
a_vecm_dbcntm	Control bit <i>a_vecm_dbcntm</i> defines how the debounce timer is reset when the condition for triggering the interrupt is no longer true. When <i>a_vecm_dbcntm</i> = 0 the debounce counter is decremented by 1 when the vector-magnitude result is below the programmed threshold value. When <i>a_vecm_dbcntm</i> = 1 the debounce counter is cleared when the vector-magnitude result is below the programmed threshold value.
a_vecm_ths[12:8]	Five MSBs of the 13-bit unsigned A_VECM_THS value. The resolution is equal to the selected accelerometer resolution set in XYZ_DATA_CFG[fs]

10.10.3 A_VECM_THS_LSB (0x61) register

Table 97. A_VECM_THS_LSB register

a_vecm_ths[7:0]
0b0000_0000

10.10.4 A_VECM_CNT (0x62) register

Table 98. A_VECM_CNT register

a_vecm_cnt[7:0]
0b0000_0000

Table 99. A_VECM_CNT bit description

Field	Description
a_vecm_cnt[7:0]	Vector-magnitude function debounce count value.

The debounce timer period is determined by the ODR selected in CTRL_REG1; it is equal to the number indicated in A_VECM_CNT register times 1/ODR. For example, a value of 16 in A_VECM_CNT with an ODR setting of 400 Hz will result in a debounce period of 40 ms. Note that ODR is halved when in hybrid mode.

10.10.5 A_VECM_INITX_MSB (0x63) register

Table 100. A_VECM_INITX_MSB register

—	—	a_vecm_initx[13:8]
0	0	0b00_0000

Table 101. A_VECM_INITX_MSB bit description

Field	Description
a_vecm_initx[13:8]	Most significant 6 bits of the signed 14-bit initial X-axis value to be used as ref_x when A_VECM_CFG[a_vecm_initm] = 1. The resolution is determined by the settings made in XYZ_DATA_CFG[fs], and is equal to the accelerometer resolution.

10.10.6 A_VECM_INITX_LSB (0x64) register

Table 102. A_VECM_INITX_LSB register

a_vecm_initx[7:0]
0b0000_0000

Table 103. A_VECM_INITX_LSB bit description

Field	Description
a_vecm_initx[7:0]	LSB of the signed 14-bit initial X-axis value to be used as ref_x when A_VECM_CFG[a_vecm_initm] = 1. The resolution is determined by the settings made in XYZ_DATA_CFG[fs], and is equal to the accelerometer resolution.

10.10.7 A_VECM_INITY_MSB (0x65) register

Table 104. A_VECM_INITY_MSB register

—	—	a_vecm_inity[13:8]
0	0	0b00_0000

Table 105. A_VECM_INITY_MSB bit description

Field	Description
a_vecm_inity[13:8]	Most significant 6 bits of the signed 14-bit initial Y-axis value to be used as ref_y when A_VECM_CFG[a_vecm_initm] = 1. The resolution is determined by the settings made in XYZ_DATA_CFG[fs], and is equal to the accelerometer resolution.

10.10.8 A_VECM_INITY_LSB (0x66) register

Table 106. A_VECM_INITY_LSB register

a_vecm_inity[7:0]

Table 107. A_VECM_INITY_LSB bit description

Field	Description
a_vecm_inity[7:0]	LSB of the signed 14-bit initial Y-axis value to be used as ref_y when A_VECM_CFG[a_vecm_initm] = 1. The resolution is determined by the settings made in XYZ_DATA_CFG[fs], and is equal to the accelerometer resolution.

10.10.9 A_VECM_INITZ_MSB (0x67) register

Table 108. A_VECM_INITZ_MSB register

—	—	a_vecm_initz[13:8]
0	0	0b00_0000

Table 109. A_VECM_INITZ_MSB bit description

Field	Description
a_vecm_initz[13:8]	Most significant 6 bits of the signed 14-bit initial Z-axis value to be used as ref_z when A_VECM_CFG[a_vecm_initm] = 1. The resolution is determined by the settings made in XYZ_DATA_CFG[fs], and is equal to the accelerometer resolution.

10.10.10 A_VECM_INITZ_LSB (0x68) register**Table 110. A_VECM_INITZ_LSB register**

a_vecm_initz[7:0]
0b0000_0000

Table 111. A_VECM_INITZ_LSB bit description

Field	Description
a_vecm_initz[7:0]	LSB of the signed 14-bit initial Z-axis value to be used as ref_z when A_VECM_CFG[a_vecm_initm] = 1. The resolution is determined by the settings made in XYZ_DATA_CFG[fs], and is equal to the accelerometer resolution.

10.11 Transient (AC) acceleration detection

The transient detection function is similar to the freefall/motion detection function with the exception that a high-pass filter can be used to eliminate the DC offset from the acceleration data. There is an option to disable the high-pass filter, which causes the transient detection function to work in a similar manner to the motion detection function.

The transient detection function can be configured to signal an interrupt when the high-pass filtered acceleration delta values for any of the enabled axes exceeds the threshold programmed in TRANSIENT_THS for the debounce time programmed in TRANSIENT_COUNT. For more information on how to use and configure the transient detection function please refer to Freescale application note AN4461.

10.11.1 TRANSIENT_CFG (0x1D) register**Table 112. TRANSIENT_CFG register**

—	—	—	tran_ele	tran_zefe	tran_yefe	tran_xefe	tran_hpf_byp
0	0	0	0	0	0	0	0

Table 113. TRANSIENT_CFG bit descriptions

Field	Description
tran_ele	Transient event flag latch enable. 0: Event flag latch disabled: the transient interrupt flag reflects the real-time status of the function. 1: Event flag latch enabled: the transient interrupt event flag is latched and a read of the TRANSIENT_SRC register is required to clear the event flag.
tran_zefe	Z-axis transient event flag enable. 0: Z-axis event detection disabled 1: Z-axis event detection enabled. Raise event flag on Z-axis acceleration value greater than threshold.
tran_yefe	Y-axis transient event flag enable. 0: Y-axis event detection disabled 1: Y-axis event detection enabled. Raise event flag on Y-axis acceleration value greater than threshold.
tran_xefe	X-axis transient event flag enable. 0: X-axis event detection disabled 1: X-axis event detection enabled. Raise event flag on X-axis acceleration value greater than threshold.
tran_hpf_byp	Transient function high-pass filter bypass. 0: High-pass filter is applied to accelerometer data input to the transient function. 1: High-pass filter is not applied to accelerometer data input to the transient function.

10.11.2 TRANSIENT_SRC (0x1E) register

Transient event flag source register. This register provides the event status of the enabled axes and polarity (directional) information.

Table 114. TRANSIENT_CFG register

—	tran_ea	tran_zef	tran_zpol	tran_yef	tran_ypol	tran_xef	trans_xpol
0	0	0	0	0	0	0	0

Table 115. TRANSIENT_SRC bit descriptions

Field	Description
tran_ea	Transient event active flag. 0: No transient event active flag has been asserted. 1: One or more transient event active flags has been asserted.
tran_zef	Z-axis transient event active flag. 0: Z-axis event flag is not active. 1: Z-axis event flag is active; Z-axis acceleration has exceeded the programmed threshold for the debounce time specified in TRANS_COUNT.
tran_zpol	Z-axis event flag polarity. 0: Z-axis event was above positive threshold value. 1: Z-axis event was below negative threshold value.
tran_yef	Y-axis transient event active flag. 0: Y-axis event flag is not active. 1: Y-axis event flag is active; Y-axis acceleration has exceeded the programmed threshold for the debounce time specified in TRANS_COUNT.
tran_ypol	Y-axis event flag polarity. 0: Y-axis event was above positive threshold value. 1: Y-axis event was below negative threshold value.
tran_xef	X-axis transient event active flag. 0: X-axis event flag is not active. 1: X-axis event flag is active; X-axis acceleration has exceeded the programmed threshold for the debounce time specified in TRANS_COUNT.
tran_xpol	X-axis event flag polarity. 0: X-axis event was above positive threshold value. 1: X-axis event was below negative threshold value.

When TRANSIENT_CFG[*tran_ele*] = 1, the TRANSIENT_SRC event flag(s) and polarity bits are latched when the interrupt event is triggered, allowing the host application to determine which event flag(s) originally triggered the interrupt. When TRANSIENT_CFG[*tran_ele*] = 0, events which occur after the event that originally triggered the interrupt will update the flag and polarity bits, but once set, the flags can only be cleared by reading the TRANSIENT_SRC register.

10.11.3 TRANSIENT_THS (0x1F) register

The TRANSIENT_THS register determines the debounce counter behavior and also sets the transient event detection threshold. It is possible to use A_FFMT_THS_X/Y/Z MSB and LSB registers to set transient acceleration thresholds for individual axes using the *a_ffmt_trans_ths_en* bit in A_FFMT_THS_Y_MSB register. For *a_ffmt_trans_ths_en* = 1, register 0x1F[6:0] is used as the 7-bit, X-axis transient threshold, registers 0x75[0] and 0x76[7:2] as the 7-bit, Y-axis threshold and registers 0x77[0] and 0x78[7:2] as the 7-bit, Z-axis threshold.

Table 116. TRANSIENT_THS register

tr_dbcntm	tr_ths[6:0]
0	0b000_0000

Table 117. TRANSIENT_THS bit descriptions

Field	Description
tr_dbcntm	Debounce counter mode selection. 0: Decrements debounce counter when the transient event condition is not true during the current ODR period. 1: Clears debounce counter when the transient event condition is not true during the current ODR period.
tr_ths[6:0]	Transient event threshold. This register has a resolution of 63 mg/LSB regardless of the full-scale range setting made in XYZ_DATA_CFG[fs]. If CTRL_REG1[Inoise] = 1, the maximum acceleration measurement range is ±4 g.

The tr_ths[6:0] value is a 7-bit unsigned number, with a fixed resolution of 63 mg/LSB corresponding to a ±8 g measurement range. The resolution does not change with the full-scale range setting made in XYZ_DATA_CFG[fs]. If CTRL_REG1[Inoise] = 1, the measurement range is fixed at ±4 g, regardless of the settings made in XYZ_DATA_CFG.

10.11.4 TRANSIENT_COUNT (0x20) register

The TRANSIENT_COUNT register sets the minimum number of debounce counts needed to trigger the transient event interrupt flag when the measured acceleration value exceeds the threshold set in TRANSIENT_THS for any of the enabled axes.

Table 118. TRANSIENT_COUNT register

tr_count[7:0]
0b0000_0000

Table 119. TRANSIENT_COUNT bit description

Field	Description
tr_count[7:0]	Transient function debounce count value.

The time step for the transient detection debounce counter is set by the value of the system ODR and power mode as shown in Table 120. When the device is operated in hybrid mode, the effective ODR is half of what is selected in CTRL_REG1, which also doubles the time-step values shown in Table 120.

Table 120. TRANSIENT_COUNT relationship with the ODR

ODR (Hz)	Max time range (s)				Time step (ms)			
	Normal	LPLN	High resolution	Low power	Normal	LPLN	High resolution	Low power
800	0.319	0.319	0.319	0.319	1.25	1.25	1.25	1.25
400	0.638	0.638	0.638	0.638	2.5	2.5	2.5	2.5
200	1.28	1.28	0.638	1.28	5	5	2.5	5
100	2.55	2.55	0.638	2.55	10	10	2.5	10
50	5.1	5.1	0.638	5.1	20	20	2.5	20
12.5	5.1	20.4	0.638	20.4	20	80	2.5	80
6.25	5.1	20.4	0.638	40.8	20	80	2.5	160
1.56	5.1	20.4	0.638	40.8	20	80	2.5	160

An ODR of 100 Hz and a TRANSIENT_COUNT value of 15, when accelerometer OSR is set to normal using CTRL_REG2, would result in minimum debounce response time of 150 ms. When the device is operated in hybrid mode, these settings would result in an effective debounce time of 300 ms.

10.12 Pulse detection

10.12.1 PULSE_CFG (0x21) register

This register configures the pulse event detection function.

Table 121. PULSE_CFG register

pls_dpa	pls_ele	pls_zdpefe	pls_zspefe	pls_ydpefe	pls_yspefe	pls_xdpefe	pls_xspefe
0	0	0	0	0	0	0	0

Table 122. PULSE_CFG bit descriptions

Field	Description
pls_dpa	Double-pulse abort. 0: Double-pulse detection is not aborted if the start of a pulse is detected during the time period specified by the PULSE_LTCY register. 1: Setting the <i>pls_dpa</i> bit momentarily suspends the double-tap detection if the start of a pulse is detected during the time period specified by the PULSE_LTCY register and the pulse ends before the end of the time period specified by the PULSE_LTCY register.
pls_ele	Pulse event flag latch enable. When enabled, a read of the PULSE_SRC register is needed to clear the event flag. 0: Event flag latch disabled 1: Event flag latch enabled
pls_zdpefe	Event flag enable on double-pulse event on Z-axis. 0: Event detection disabled 1: Raise event flag on detection of double-pulse event on Z-axis
pls_zspefe	Event flag enable on single-pulse event on Z-axis. 0: Event detection disabled 1: Raise event flag on detection of single-pulse event on Z-axis
pls_ydpefe	Event flag enable on double-pulse event on Y-axis. 0: Event detection disabled 1: Raise event flag on detection of double-pulse event on Y-axis
pls_yspefe	Event flag enable on single-pulse event on Y-axis. 0: Event detection disabled 1: Raise event flag on detection of single-pulse event on Z-axis.
pls_xdpefe	Event flag enable on double-pulse event on X-axis. 0: Event detection disabled 1: Raise event flag on detection of double-pulse event on X-axis.
pls_xspefe	Event flag enable on single-pulse event on X-axis. 0: Event detection disabled 1: Raise event flag on detection of single-pulse event on X-axis.

10.12.2 PULSE_SRC (0x22) register

This register indicates the status bits for the pulse detection function.

Table 123. PULSE_SRC register

pls_src_ea	pls_src_axz	pls_src_axy	pls_src_axx	pls_src_dpe	pls_src_polz	pls_src_poly	pls_src_polx
------------	-------------	-------------	-------------	-------------	--------------	--------------	--------------

Table 124. PULSE_SRC bit descriptions

Field	Description
pls_src_ea	Event active flag. 0: No interrupt has been generated 1: One or more interrupt events have been generated
pls_src_axz	Z-axis event flag. 0: No interrupt. 1: Z-axis event has occurred
pls_src_axy	Y-axis event flag. 0: No interrupt. 1: Y-axis event has occurred
pls_src_axx	X-axis event flag. 0: No interrupt. 1: X-axis event has occurred.
pls_src_dpe	Double pulse on first event. 0: Single-pulse event triggered interrupt. 1: Double-pulse event triggered interrupt.
pls_src_polz	Pulse polarity of Z-axis event. 0: Pulse event that triggered interrupt was positive. 1: Pulse event that triggered interrupt was negative.
pls_src_poly	Pulse polarity of Y-axis event. 0: Pulse event that triggered interrupt was positive. 1: Pulse event that triggered interrupt was negative.
pls_src_polx	Pulse polarity of X-axis event. 0: Pulse event that triggered interrupt was positive. 1: Pulse event that triggered interrupt was negative.

10.12.3 PULSE_THSX (0x23) register

Table 125. PULSE_THSX register

—	pls_thsx[6:0]
0	0b000_0000

Table 126. PULSE_THSX bit description

Field	Description
pls_thsx[6:0]	Pulse threshold for X-axis.

The PULSE_THSX, PULSE_THSY and PULSE_THSZ registers define the thresholds used by the system to start the pulse-event detection procedure. Threshold values for each axis are unsigned 7-bit numbers with a fixed resolution of 0.063 g/LSB, corresponding to an 8 g acceleration full-scale range. The full-scale range is fixed at 8 g for the pulse detection function, regardless of the settings made in XYZ_DATA_CFG[fs].

10.12.4 PULSE_THSY (0x24) register

Table 127. PULSE_THSY register

—	pls_thsy[6:0]
0	0b000_0000

Table 128. PULSE_THSY bit description

Field	Description
pls_thsy[6:0]	Pulse threshold for Y-axis.

10.12.5 PULSE_THSZ (0x25) register

Table 129. PULSE_THSZ register

—	pls_thsz[6:0]
0	0b000_0000

Table 130. PULSE_THSZ bit description

Field	Description
pls_thsz[6:0]	Pulse threshold for Z-axis.

10.12.6 PULSE_TMLT (0x26) register

Table 131. PULSE_TMLT register

pls_tmlt[7:0]
0b0000_0000

Table 132. PULSE_TMLT bit description

Field	Description
pls_tmlt[7:0]	<i>pls_tmlt</i> [7:0] defines the maximum time interval that can elapse between the start of the acceleration on the selected channel exceeding the specified threshold and the end when the channel acceleration goes back below the specified threshold.

Minimum time step for the pulse-time limit is defined in [Tables 133](#) and [134](#). Maximum time for a given ODR is “Minimum time step x 255”.

Table 133. Time step for PULSE_TMLT with HP_FILTER_CUTOFF[*pls_hpf_en*] = 1

ODR (Hz)	Max time range (s)				Time step (ms)			
	Normal	LPLN	High resolution	Low power	Normal	LPLN	High resolution	Low power
800	0.319	0.319	0.319	0.319	1.25	1.25	1.25	1.25
400	0.638	0.638	0.638	0.638	2.5	2.5	2.5	2.5
200	1.28	1.28	0.638	1.28	5	5	2.5	5
100	2.55	2.55	0.638	2.55	10	10	2.5	10
50	5.1	5.1	0.638	5.1	20	20	2.5	20
12.5	5.1	20.4	0.638	20.4	20	80	2.5	80
6.25	5.1	20.4	0.638	40.8	20	80	2.5	160
1.56	5.1	20.4	0.638	40.8	20	80	2.5	160

Table 134. Time step for PULSE_TMLT with HP_FILTER_CUTOFF[*pls_hpf_en*] = 0

ODR (Hz)	Max time range (s)				Time step (ms)			
	Normal	LPLN	High resolution	Low power	Normal	LPLN	High resolution	Low power
800	0.159	0.159	0.159	0.159	0.625	0.625	0.625	0.625
400	0.159	0.159	0.159	0.319	0.625	0.625	0.625	1.25
200	0.319	0.319	0.159	0.638	1.25	1.25	0.625	2.5
100	0.638	0.638	0.159	1.28	2.5	2.5	0.625	5
50	1.28	1.28	0.159	2.55	5	5	0.625	10
12.5	1.28	5.1	0.159	10.2	5	20	0.625	40
6.25	1.28	5.1	0.159	10.2	5	20	0.625	40
1.56	1.28	5.1	0.159	10.2	5	20	0.625	40

Therefore an ODR setting of 400 Hz, when accelerometer OSR is set to normal using CTRL_REG2, would result in a maximum pulse-time limit of (0.625 ms * 255) = 159 ms.

10.12.7 PULSE_LTCY (0x27) register

Table 135. PULSE_LTCY register

pls_ltcy[7:0]
0b0000_0000

Table 136. PULSE_LTCY bit description

Field	Description
pls_ltcy[7:0]	<i>pls_ltcy</i> [7:0] defines the time interval that starts after the first pulse detection where the pulse-detection function ignores the start of a new pulse.

Minimum time step for the pulse latency is defined in [Tables 137](#) and [138](#). Maximum time is (time step @ ODR and power mode) x 255.

Table 137. Time step for PULSE_LTCY with HP_FILTER_CUTOFF[*pls_hpf_en*] = 1

ODR (Hz)	Max time range (s)				Time step (ms)			
	Normal	LPLN	High resolution	Low power	Normal	LPLN	High resolution	Low power
800	0.638	0.638	0.638	0.638	2.5	2.5	2.5	2.5
400	1.276	1.276	1.276	1.276	5	5	5	5
200	2.56	2.56	1.276	2.56	10	10	5	10
100	5.1	5.1	1.276	5.1	20	20	5	20
50	10.2	10.2	1.276	10.2	40	40	5	40
12.5	10.2	40.8	1.276	40.8	40	160	5	160
6.25	10.2	40.8	1.276	81.6	40	160	5	320
1.56	10.2	40.8	1.276	81.6	40	160	5	320

Table 138. Time step for PULSE_LTCY with HP_FILTER_CUTOFF[pls_hpf_en] = 0

ODR (Hz)	Max time range (s)				Time step (ms)			
	Normal	LPLN	High resolution	Low power	Normal	LPLN	High resolution	Low power
800	0.318	0.318	0.318	0.318	1.25	1.25	1.25	1.25
400	0.318	0.318	0.318	0.638	1.25	1.25	1.25	2.5
200	0.638	0.638	0.318	1.276	2.5	2.5	1.25	5
100	1.276	1.276	0.318	2.56	5	5	1.25	10
50	2.56	2.56	0.318	5.1	10	10	1.25	20
12.5	2.56	10.2	0.318	20.4	10	40	1.25	80
6.25	2.56	10.2	0.318	20.4	10	40	1.25	80
1.56	2.56	10.2	0.318	20.4	10	40	1.25	80

10.12.8 PULSE_WIND (0x28) register

Table 139. PULSE_WIND register

pls_wind[7:0]
0b0000_0000

Table 140. PULSE_WIND bit description

Field	Description
pls_wind[7:0]	<i>pls_wind</i> [7:0] defines the maximum interval of time that can elapse after the end of the latency interval in which the start of the second pulse event must be detected provided the device has been configured for double pulse detection. The detected second pulse width must be shorter than the time limit constraint specified by the PULSE_TMLT register, but the end of the double pulse need not finish within the time specified by the PULSE_WIND register.

The time step for the pulse-window counter varies with the selected ODR and power modes as defined in [Tables 141](#) and [142](#). The maximum time value is equal to (time step @ ODR and power mode) x 255. Please note that when the device is operated in hybrid mode, the effective ODR is half of what is selected in CTRL_REG1, which will double the time-step value from what is shown in [Tables 141](#) and [142](#).

Table 141. Time step for PULSE_WIND with HP_FILTER_CUTOFF[pls_hpf_en] = 1

ODR (Hz)	Max time range (s)				Time step (ms)			
	Normal	LPLN	High resolution	Low power	Normal	LPLN	High resolution	Low power
800	0.638	0.638	0.638	0.638	2.5	2.5	2.5	2.5
400	1.276	1.276	1.276	1.276	5	5	5	5
200	2.56	2.56	1.276	2.56	10	10	5	10
100	5.1	5.1	1.276	5.1	20	20	5	20
50	10.2	10.2	1.276	10.2	40	40	5	40
12.5	10.2	40.8	1.276	40.8	40	160	5	160
6.25	10.2	40.8	1.276	81.6	40	160	5	320
1.56	10.2	40.8	1.276	81.6	40	160	5	320

Table 142. Time step for PULSE_WIND with HP_FILTER_CUTOFF[pls_hpf_en] = 0

ODR (Hz)	Max time range (s)				Time step (ms)			
	Normal	LPLN	High resolution	Low power	Normal	LPLN	High resolution	Low power
800	0.318	0.318	0.318	0.318	1.25	1.25	1.25	1.25
400	0.318	0.318	0.318	0.638	1.25	1.25	1.25	2.5
200	0.638	0.638	0.318	1.276	2.5	2.5	1.25	5
100	1.276	1.276	0.318	2.56	5	5	1.25	10
50	2.56	2.56	0.318	5.1	10	10	1.25	20
12.5	2.56	10.2	0.318	20.4	10	40	1.25	80
6.25	2.56	10.2	0.318	20.4	10	40	1.25	80
1.56	2.56	10.2	0.318	20.4	10	40	1.25	80

10.13 Accelerometer offset correction

The 8-bit 2's complement offset correction registers are used to remove the sensor zero *g* offset on the X, Y, and Z axes after device board mount. The resolution of the offset registers is 2 mg per LSB, with an effective offset adjustment range of -256 mg to +254 mg for each axis. The acceleration vectors represented in these registers will be added to the acceleration vectors acquired by the ASIC from the transducer prior to being written to the output data registers (registers 0x01 through 0x06). For example, to correct for an offset of 60 mg, a value representing -60 mg (= -60 mg / 2 mg/LSB = -30 LSB), which is 0xE2 in 8-bit 2's complement representation, should be written to the offset register.

For more information on how to calibrate the 0 *g* offset, please refer to Freescale application note AN4069.

NOTE

Accelerometer offset registers can only be modified when the device is in standby mode (See CTRL_REG1).

10.13.1 OFF_X (0x2F) register

Table 143. OFF_X register

off_x[7:0]
0b0000_0000

Table 144. OFF_X bit description

Field	Description
off_x[7:0]	X-axis offset correction value expressed as an 8-bit 2's complement number.

10.13.2 OFF_Y (0x30) register

Table 145. OFF_Y register

off_y[7:0]
0b0000_0000

Table 146. OFF_Y bit description

Field	Description
off_y[7:0]	Y-axis offset correction value expressed as an 8-bit 2's complement number.

10.13.3 OFF_Z (0x31) register

Table 147. OFF_Z register

off_z[7:0]
0b0000_0000

Table 148. OFF_Z bit description

Field	Description
off_z[7:0]	Z-axis offset correction value expressed as an 8-bit 2's complement number.

10.14 Magnetometer data registers

10.14.1 M_DR_STATUS (0x32) register

Magnetic data-ready status register.

This register indicates the real-time status information of the X, Y, and Z magnetic sample data.

Table 149. M_DR_STATUS register

xyzow	zow	yow	xow	zyxdr	zdr	ydr	xdr
0	0	0	0	0	0	0	0

Table 150. M_DR_STATUS bit descriptions

Field	Description
xyzow	xyzow is set to one whenever new magnetic data is acquired before completing the retrieval of the previous data set. This event occurs when the content of at least one magnetometer output data register (that is, M_OUT_X/Y/Z) has been overwritten. xyzow is cleared when the most significant bytes of the magnetometer data (M_OUT_X_MSB, M_OUT_Y_MSB, and M_OUT_Z_MSB) are read. X, Y, Z-axis data overwrite: 0: No data overwrite has occurred 1: Previous X-, Y-, Z-magnetic data was overwritten by new X, Y, Z data before it was completely read
zow	zow is set to 1 whenever a new Z-axis acquisition is completed before the retrieval of the previous data. When this occurs the previous data is overwritten. zow is cleared anytime the M_OUT_Z_MSB register is read. Z-axis data overwrite: 0: No data overwrite has occurred 1: Previous Z-axis magnetic data was overwritten by new Z-axis data before it was read
yow	yow is set to 1 whenever a new Y-axis acquisition is completed before the retrieval of the previous data. When this occurs the previous data is overwritten. yow is cleared anytime M_OUT_Y_MSB register is read. Y-axis data overwrite: 0: No data overwrite has occurred 1: Previous Y-axis magnetic data was overwritten by new Y-axis data before it was read
xow	xow is set to 1 whenever a new X-axis acquisition is completed before the retrieval of the previous data. When this occurs the previous data is overwritten. xow is cleared anytime the M_OUT_X_MSB register is read. X-axis data overwrite: 0: No data overwrite has occurred 1: Previous X-axis magnetic data was overwritten by new X-axis data before it was read
zyxdr	zyxdr signals that a new acquisition for the X, Y, and Z axes magnetic data is available. zyxdr is cleared when the most significant bytes of the magnetometer data (M_OUT_X_MSB, M_OUT_Y_MSB, and M_OUT_Z_MSB) are read. X, Y, Z new data available: 0: No new set of X, Y, Z magnetic data is available 1: A new set of X, Y, Z magnetic data is available
zdr	zdr is set to 1 whenever a new Z-axis data acquisition is completed. zdr is cleared anytime the M_OUT_Z_MSB register is read. Z-axis new data available: 0: No new Z-axis magnetic data is available 1: New Z-axis magnetic data is available
ydr	ydr is set to 1 whenever a new Y-axis data acquisition is completed. ydr is cleared anytime the M_OUT_Y_MSB register is read. Y-axis new data available: 0: No new Y-axis magnetic data is available 1: New Y-axis magnetic data is available
xdr	xdr is set to 1 whenever a new X-axis data acquisition is completed. xdr is cleared anytime the M_OUT_X_MSB register is read. X-axis new data available: 0: No new X-axis magnetic data is available. 1: New X-axis magnetic data is available

10.14.2 M_OUT_X_MSB (0x33), M_OUT_X_LSB (0x34), M_OUT_Y_MSB (0x35), M_OUT_Y_LSB (0x36), M_OUT_Z_MSB (0x37), M_OUT_Z_LSB (0x38) registers

X-axis, Y-axis, and Z-axis 16-bit magnetic output data expressed as 2's complement numbers, with a resolution of 0.1 μ T/LSB.

Table 151. M_OUT_X_MSB (0x33) register

m_out_x[15:8]
0b0000_0000

Table 152. M_OUT_X_LSB (0x34) register

m_out_x[7:0]
0b0000_0000

Table 153. M_OUT_Y_MSB (0x35) register

m_out_y[15:8]
0b0000_0000

Table 154. M_OUT_Y_LSB (0x36) register

m_out_y[7:0]
0b0000_0000

Table 155. M_OUT_Z_MSB (0x37) register

m_out_z[15:8]
0b0000_0000

Table 156. M_OUT_Z_LSB (0x38) register

m_out_z[7:0]
0b0000_0000

10.14.3 CMP_X_MSB (0x39), CMP_X_LSB (0x3A), CMP_Y_MSB (0x3B), CMP_Y_LSB (0x3C), CMP_Z_MSB (0x3D), CMP_Z_LSB (0x3E) registers

These registers contain the 2's complement 14-bit decimated acceleration values, and are time aligned with the magnetometer sample data. The decimation is controlled by the ODR (CTRL_REG1 dr[2:0]) and the magnetometer OSR (M_CTRL_REG1 m_os[2:0]) settings. These registers allow the host application to acquire a complete set of time-aligned magnetic and acceleration data with the same oversampling ratio applied to each axis. Note that unlike the acceleration data available in the OUT_X/Y/Z registers located at addresses x1-x6, the data in the CMP_X/Y/Z registers is right justified.

Table 157. CMP_X_MSB (0x39) register

—	—	cmp_x[13:8]
---	---	-------------

Table 158. CMP_X_LSB (0x3A) register

cmp_x[7:0]

Table 159. CMP_Y_MSB (0x3B) register

—	—	cmp_y[13:8]
---	---	-------------

Table 160. CMP_Y_LSB (0x3C) register

cmp_y[7:0]

Table 161. CMP_Z_MSB (0x3D) register

—	—	cmp_z[13:8]
---	---	-------------

Table 162. CMP_Z_LSB (0x3E) register

cmp_z[7:0]

10.14.4 MAX_X_MSB (0x45), MAX_X_LSB (0x46), MAX_Y_MSB (0x47), MAX_Y_LSB (0x48), MAX_Z_MSB (0x49), MAX_Z_LSB (0x4A) registers

The magnetometer MAX_X/Y/Z registers are 16-bit 2's complement format with a resolution of 0.1 μ T/LSB. The registers are read/write and along with the MIN_X/Y/Z registers are used to calculate the magnetic offset for each axis using the equation $(MAX_X/Y/Z + MIN_X/Y/Z) / 2$ when M_CTRL_REG2[*maxmin_dis*] = 0 (default).

When M_CTRL_REG1[*m_aca*] = 1 (default 0), the MAG_OFF_X/Y/Z registers are automatically updated with the calculated offset values at the end of every measurement cycle (ODR period).

On a POR, or after setting M_CTRL_REG2[*maxmin_rst*] = 1, the MAX_X/Y/Z registers are loaded with the hex value 0x8000 (negative full scale).

The host application may write to the MAX_X/Y/Z registers to change the currently used maximum values for each axis, however, when M_CTRL_REG1[*maxmin_dis*] = 0 (default), the system will overwrite these values when it updates the MAX_X/Y/Z registers at the end of the next measurement cycle (ODR period).

Table 163. MAX_X_MSB register

max_x[15:8]
0b0000_0000

Table 164. MAX_X_LSB register

max_x[7:0]
0b0000_0000

Table 165. MAX_Y_MSB register

max_y[15:8]
0b0000_0000

Table 166. MAX_Y_LSB register

max_y[7:0]
0b0000_0000

Table 167. MAX_Z_MSB register

max_z[15:8]
0b0000_0000

Table 168. MAX_Z_LSB register

max_z[7:0]
0b0000_0000

10.14.5 MIN_X_MSB (0x4B), MIN_X_LSB (0x4C), MIN_Y_MSB (0x4D), MIN_Y_LSB (0x4E), MIN_Z_MSB (0x4F), MIN_Z_LSB (0x50) registers

The magnetometer MIN_X/Y/Z registers are 16-bit, 2's complement format with a resolution of 0.1 μ T/LSB. The registers are read/write and along with the MAX_X/Y/Z registers are used to calculate the magnetic offset for each axis using the equation $(MAX_X/Y/Z + MIN_X/Y/Z) / 2$ when $M_CTRL_REG2[maxmin_dis] = 0$ (default).

When $M_CTRL_REG1[m_aca] = 1$ (default 0), the MAG_OFF_X/Y/Z registers are automatically updated with the calculated offset values at the end of every measurement cycle (ODR period).

On a POR, or after setting $M_CTRL_REG2[maxmin_rsf] = 1$, the MIN_X/Y/Z registers are loaded with the hex value 0x7FFF (positive full scale). The host application may write to the MIN_X/Y/Z registers to change the currently used minimum values for each axis, however, when $M_CTRL_REG1[maxmin_dis] = 0$ (default), the system will overwrite these values when it updates the MIN_X/Y/Z registers at the end of the next measurement cycle (ODR period).

Table 169. MIN_X_MSB register

min_x[15:8]
0b0000_0000

Table 170. MIN_X_LSB register

min_x[7:0]
0b0000_0000

Table 171. MIN_Y_MSB register

min_y[15:8]
0b0000_0000

Table 172. MIN_Y_LSB register

min_y[7:0]
0b0000_0000

Table 173. MIN_Z_MSB register

min_z[15:8]
0b0000_0000

Table 174. MIN_Z_LSB register

min_z[7:0]
0b0000_0000

10.15 Magnetometer offset correction

10.15.1 M_OFF_X_MSB (0x3F), M_OFF_X_LSB (0x40), M_OFF_Y_MSB (0x41), M_OFF_Y_LSB (0x42), M_OFF_Z_MSB (0x43), M_OFF_Z_LSB (0x44) registers

The zero-field output for each axis can be adjusted by writing to these registers. The user must set M_CTRL_REG3[m_raw] = 0 (default) for the values in these registers to have any effect on the magnetic output data.

Desired offset should be written into the 15 most-significant bits in each register pair using 2's complement representation. The offset registers have a sensitivity of 0.1 $\mu\text{T}/\text{LSB}$ and with an effective offset adjustment range of -1638.4 μT to +1638.3 μT .

The magnetic field vectors represented in these registers will be subtracted from the magnetic field vectors acquired by the ASIC from the transducer prior to being written to the output data registers (registers 0x33 through 0x38). For example, to correct for an offset of 60 μT , a value representing 60 μT ($= 60 \mu\text{T} / 0.1 \mu\text{T}/\text{LSB} = 600 \text{ LSB}$), which is 0x0258 in 15-bit two's complement representation, should be written to the offset registers following a left-shift for proper alignment ($0x0258 \ll 1 = 0x04b0$).

Table 175. M_OFF_X_MSB register

m_off_x[14:7]
0b0000_0000

Table 176. M_OFF_X_LSB register

m_off_x[6:0]	—
0b000_0000	0

Table 177. M_OFF_Y_MSB register

m_off_y[14:7]
0b0000_0000

Table 178. M_OFF_Y_LSB register

m_off_y[6:0]	—
0b000_0000	0

Table 179. M_OFF_Z_MSB register

m_off_z[14:7]
0b0000_0000

Table 180. M_OFF_Z_LSB register

m_off_z[6:0]	—
0b000_0000	0

10.16 Magnetometer threshold function

The magnetometer threshold function works in a similar manner to the freefall/motion detection module but uses magnetic data for the event detection instead of acceleration data. The m_ths_oae bit setting determines the logic used to evaluate the threshold detection function for the enabled axes. With $m_ths_oae = 0$, the magnetic sample data for each enabled axis must be below the threshold values specified in the MAG_THS_X/Y/Z registers for the time period specified in MAG_THS_COUNT before the event flag is triggered. For $m_ths_oae = 1$, any of the enabled axes must be above the threshold values specified in the MAG_THS_X/Y/Z registers for the time period specified in MAG_THS_COUNT before the event flag is triggered.

10.16.1 M_THS_CFG (0x52) register

Magnetic-field threshold detection configuration register.

Table 181. M_THS_CFG register

m_ths_ele	m_ths_oae	m_ths_zefe	m_ths_yefe	m_ths_xefe	m_ths_wake_en	m_ths_int_en	m_ths_int_cfg
0	0	0	0	0	0	0	0

Table 182. M_THS_CFG bit descriptions

Field	Description
m_ths_ele	Magnetic-threshold event latch enable. 0: Event flag latch disabled. Magnetic-threshold events are not latched, and the event flag will change state with the real-time status of the event detection logic. 1: Event flag latch enabled. Magnetic-threshold events are latched and the event flag can only be cleared by reading the M_THS_SRC register.
m_ths_oae	Magnetic-threshold event logic selection. 0: Logical "AND" of enabled axes X, Y, and Z below threshold flags is used to detect the event. 1: Logical "OR" of enabled axes X, Y, and Z above threshold flags is used to detect the event.
m_ths_zefe	Event-flag enable on Z-axis. 0: Z-axis event detection disabled 1: Raise event flag on measured magnetic field value above/below preset threshold for Z-axis
m_ths_yefe	Event-flag enable on Y-axis. 0: Y-axis event detection disabled 1: Raise event flag on measured magnetic field value above/below preset threshold for Y-axis
m_ths_xefe	Event-flag enable on X-axis. 0: X-axis event detection disabled 1: Raise event flag on measured magnetic field value above/below preset threshold for X-axis
m_ths_wake_en	0: The system excludes the magnetic-threshold event flag when evaluating the Auto-Sleep/Wake function. 1: The system includes the magnetic-threshold event flag when evaluating the Auto-Sleep/Wake function.
m_ths_int_en	0: Magnetic-threshold interrupt is disabled. 1: Magnetic-threshold interrupt is enabled.
m_ths_int_cfg	0: Magnetic-threshold event flag is output on INT2 pin (logically OR'd with other INT2 interrupt events) 1: Magnetic-threshold event flag is output on INT1 pin (logically OR'd with other INT1 interrupt events)

The unsigned 15-bit M_THS_X/Y/Z registers hold the threshold used for magnetic-event detection. With M_THS_CFG [m_ths_oae] = 0, the event is detected when all of the enabled axes are below or equal to their respective threshold values (AND condition). With M_THS_CFG [m_ths_oae] = 1, the event is detected when any of the enabled axes is above or equal to their respective threshold value (OR condition). The thresholds for each axis are applied after the magnetic data has been adjusted by the offset values stored in the M_OFF_X/Y/Z registers when M_CTRL_REG3[m_raw] = 0.

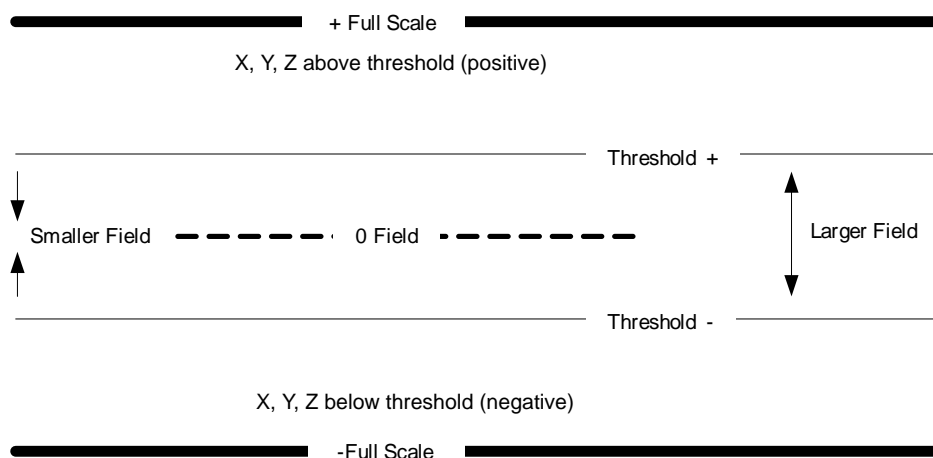


Figure 18. Illustration of magnetic threshold detection

10.16.2 M_THS_SRC (0x53) register

Magnetic-threshold interrupt source register.

This register keeps track of the magnetic threshold event which is triggering (or has triggered, when M_THS_CFG[m_ths_ele] = 1) the event flag. In particular, if M_THS_SRC[m_ths_ea] is set to a logic '1' then the logical combination of magnetic-event flags specified in M_THS_CFG is true.

Table 183. M_THS_SRC register

m_ths_ea	—	m_ths_zhe	m_ths_zhp	m_ths_yhe	m_ths_yhp	m_ths_xhe	m_ths_xhp
0	0	0	0	0	0	0	0

Table 184. M_THS_SRC bit descriptions

Field	Description
m_ths_ea	Event-active flag. 0: No event flag has been asserted 1: One or more event flag(s) has been asserted.
m_ths_zhe	Z-high event flag. 0: No event detected 1: Z-high event has been detected This bit always reads zero if the <i>m_ths_zefe</i> control bit is set to zero
m_ths_zhp	Z-high event polarity flag. 0: Z event detected was positive polarity 1: Z event detected was negative polarity This bit always reads zero if the <i>m_ths_zefe</i> control bit is set to zero
m_ths_yhe	Y-high event flag. 0: No event detected 1: Y-high event has been detected This bit always reads zero if the <i>m_ths_yefe</i> control bit is set to zero
m_ths_yhp	Y-high event polarity flag. 0: Y event detected was positive polarity 1: Y event detected was negative polarity This bit always reads zero if the <i>m_ths_yefe</i> control bit is set to zero
m_ths_xhe	X-high event flag. 0: No event detected 1: X-high event has been detected This bit always reads zero if the <i>m_ths_xefe</i> control bit is set to zero
m_ths_xhp	X-high event polarity flag. 0: X event detected was positive polarity 1: X event detected was negative polarity. This bit always reads zero if the <i>m_ths_xefe</i> control bit is set to zero

10.16.3 M_THS_X_MSB (0x54), M_THS_X_LSB (0x55), M_THS_Y_MSB (0x56), M_THS_Y_LSB (0x57), M_THS_Z_MSB (0x58), M_THS_Z_LSB (0x59) registers

The M_THS_X/Y/Z registers contain the unsigned 15-bit magnetic thresholds used by the magnetic-threshold function. Each register has a resolution of 0.1 μ T/LSB. The thresholds are evaluated after the magnetic data has been adjusted by the offset value stored in the M_OFF_X/Y/Z registers when M_CTRL_REG3[m_raw] = 0.

Table 185. M_THS_X_MSB register

m_ths_dbcntm	m_ths_x[14:8]
0	0b000_0000

Table 186. M_THS_X_MSB bit descriptions

Field	Description
m_ths_dbcntm	The <i>m_ths_dbcntm</i> bit configures the way in which the debounce counter is reset when the magnetic event of interest is momentarily not true. When <i>m_ths_dbcntm</i> = 1, the debounce counter is cleared to 0 whenever the magnetic event of interest is no longer true. When <i>m_ths_dbcntm</i> = 0, the debounce counter is decremented by 1 whenever the magnetic event of interest is no longer true.
m_ths_x[14:8]	Upper 7 bits of the 15-bit unsigned X-axis magnetic threshold.

Table 187. M_THS_X_LSB register

m_ths_x[7:0]
0b0000_0000

Table 188. M_THS_Y_MSB register

—	m_ths_y[14:8]
0	0b000_0000

Table 189. M_THS_Y_LSB register

m_ths_y[7:0]
0b0000_0000

Table 190. M_THS_Z_MSB register

—	m_ths_z[14:8]
0	0b000_0000

Table 191. M_THS_Z_LSB register

m_ths_z[7:0]
0b0000_0000

10.16.4 M_THS_COUNT (0x5A) register

This register sets the number of debounce sample counts required before a magnetic threshold event is triggered. The behavior of the debounce counter is controlled by M_THS_X_MSB [*m_ths_dbcntm*].

Table 192. M_THS_COUNT register

m_ths_cnt[7:0]
0b0000_0000

Table 193. M_THS_COUNT bit description

Field	Description
m_ths_cnt[7:0]	Magnetic threshold debounce count value.

When the internal debounce counter reaches the M_THS_COUNT value a magnetic event flag is set. The debounce counter will never increase beyond the M_THS_COUNT value. The time step used for the debounce sample count depends on the chosen ODR. When hybrid mode is enabled, the effective ODR is reduced by a factor of two, which increases the debounce counter time step by a factor of two from what is shown in [Table 194](#).

Table 194. M_THS_COUNT relationship with the ODR

ODR (Hz)	Time step (ms)	
	M_CTRL_REG1[m_hms] = 0b01	M_CTRL_REG1[m_hms] = 0b11
800	N/A	N/A
400	2.5	5
200	5	10
100	10	20
50	20	40
12.5	80	160
6.25	160	320
1.56	641	1282

For example, an ODR of 100 Hz and a M_THS_COUNT value of 15 would result in a debounce response time of 150 ms. In hybrid mode, the same settings would result in a debounce response time of 300 ms.

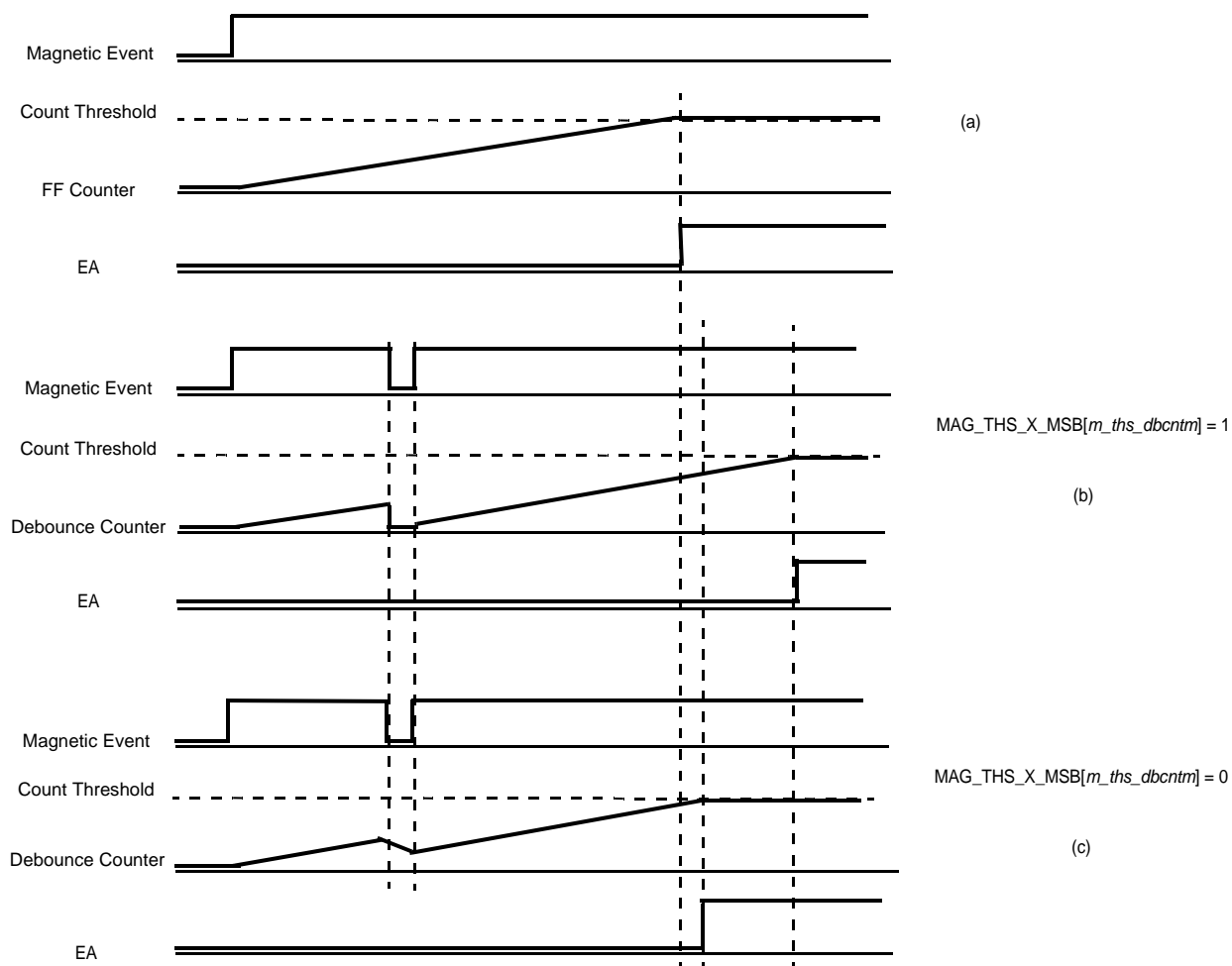


Figure 19. DBCNTM bit function

10.17 Magnetometer control registers

10.17.1 M_CTRL_REG1 (0x5B) register

Table 195. M_CTRL_REG1 register

m_acal	m_rst	m_ost	m_os[2:0]	m_hms[1:0]
0	0	0	0b000	0b00

Table 196. M_CTRL_REG1 bit descriptions

Field	Description
m_acal	Magnetic hard-iron offset auto-calibration enable: 0: Auto-calibration feature disabled 1: Auto-calibration feature is enabled; the ASIC uses the maximum and minimum magnetic data to determine the hard iron offset value. The M_OFF_X/Y/Z registers are automatically loaded with $(MAX_X/Y/Z + MIN_X/Y/Z)/2$ for each axis at the end of every ODR cycle.
m_rst	One-shot magnetic reset degauss control bit: 0: No magnetic sensor reset is active 1: One-shot magnetic reset is enabled, hardware cleared when complete.

Table 196. M_CTRL_REG1 bit descriptions (Continued)

m_ost	One-shot triggered magnetic measurement mode: 0: No action taken, or one-shot measurement complete. 1: If device is in Active mode no action is taken. If device is in Standby mode, take one set of magnetic measurements, clear this bit, and return to Standby mode.
m_os[2:0]	Oversample ratio (OSR) for magnetometer data (see Table 201).
m_hms[1:0]	0b00 = Only accelerometer sensor is active 0b01 = Only magnetometer sensor is active 0b11 = Hybrid mode, both accelerometer and magnetometer sensors are active ⁽¹⁾

1. When operating in hybrid mode, the effective ODR for each sensor is half of the frequency selected in the CTRL_REG1[*dr*] and CTRL_REG1[*as/p_rate*] bit fields.

The *m_os*[2:0] OSR setting along with the system ODR value set in CTRL_REG1 determines the magnetic output data update rate.

When *m_hms*[1:0] = 2'b11, magnetic output data is available in registers M_OUT_X_MSB (0x33), M_OUT_X_LSB (0x34), M_OUT_Y_MSB (0x35), M_OUT_Y_LSB (0x36), M_OUT_Z_MSB (0x37), and M_OUT_Z_LSB (0x38) along with the time synchronized accelerometer data in CMP_X_MSB (0x39), CMP_X_LSB (0x3A), CMP_Y_MSB (0x3B), CMP_Y_LSB (0x3C), CMP_Z_MSB (0x3D), and CMP_Z_LSB (0x3E).

10.17.2 M_CTRL_REG2 (0x5C) register

Table 197. M_CTRL_REG2 register

—	—	hyb_autoinc_mode	m_maxmin_dis	m_maxmin_dis_ths	m_maxmin_rst	m_rst_cnt[1:0]
0	0	0	0	0	0	0b00

Table 198. M_CTRL_REG2 bit descriptions

Field	Description
hyb_autoinc_mode	With <i>hyb_autoinc_mode</i> = 1 and fast-read mode is disabled (CTRL_REG1 [<i>f_read</i>] = 0), the register address will automatically advance to register x33 (M_OUT_X_MSB) after reading register x06 (OUT_Z_LSB) in burst-read mode. For <i>hyb_autoinc_mode</i> = 1 and fast read mode enabled (CTRL_REG1 [<i>f_read</i>] = 1) the register address will automatically advance to register x33 (M_OUT_X_MSB) after reading register x05 (OUT_Z_MSB) during a burst-read mode. Please refer to the register map auto-increment address column for further information.
m_maxmin_dis	Magnetic measurement max/min detection function disable: 0: Magnetic min/max detection function is enabled (default). 1: Magnetic min/max detection function is disabled. When enabled, the magnetic min/max detection function will update the MAX_X/Y/Z and MIN_X/Y/Z registers at the end of each ODR cycle with the maximum and minimum magnetic measurements from each axis. This is used along with the auto-cal feature (M_CTRL_REG1 [<i>m_aca</i>] = 1) as a hardware based hard-iron offset compensation function.
m_maxmin_dis_ths	Magnetic measurement min/max detection function disable using the magnetic threshold event trigger: 0: No impact to magnetic min/max detection function on a magnetic threshold event 1: Magnetic min/max detection function is disabled when magnetic threshold event is triggered
m_maxmin_rst	Magnetic measurement min/max detection function reset: 0: No reset sequence is active 1: Setting this bit resets the MIN_X/Y/Z and MAX_X/Y/Z registers to 0x7FFF and 0x8000, respectively (positive and negative full-scale values). This bit is automatically cleared after the reset is completed.
m_rst_cnt[1:0]	Magnetic sensor reset (degaussing) frequency: 0b00: Automatic magnetic reset at the beginning of each ODR cycle (default). 0b01: Automatic magnetic reset every 16 ODR cycles. 0b10: Automatic magnetic reset every 512 ODR cycles. 0b11: Automatic magnetic reset is disabled. Magnetic reset only occurs automatically on a transition from Standby to Active mode, or can be triggered manually by setting M_CTRL_REG1 [<i>m_rst</i>] = 1

10.17.3 M_CTRL_REG3 (0x5D) register

Table 199. M_CTRL_REG3 register

m_raw	m_aslp_os[2:0]	m_ths_xyz_update	m_st_z	m_st_xy[1:0]
0	0b000	0	0	0b00

Table 200. M_CTRL_REG3 bit descriptions

Field	Description
m_raw	Magnetic measurement RAW mode enable: 0: Values stored in the M_OFF_X/Y/Z registers are applied to the magnetic sample data. This bit must be cleared in order for the automatic hard-iron compensation function to have any effect. 1: Values stored in M_OFF_X/Y/Z are not applied to the magnetic sample data; automatic hard-iron compensation function does not have any effect on the output data.
m_aslp_os[2:0]	Defines magnetometer OSR in Auto-Sleep mode. See Table 201.
m_ths_xyz_update	This control bit defines which reference values are updated when the magnetic threshold event detection function triggers. 0: X, Y and Z reference values are all updated when the function triggers on any of the X, Y, or Z axes. 1: Only the reference value for the axis that triggered the detection event is updated.
m_st_z	Enables Z-axis magnetic self-test function when set.
m_st_xy[1:0]	Enables both X and Y axes magnetic self-test function simultaneously when set to a value greater than 0b00. X and Y magnetic self-test is disabled when this field is set to 2'b00.

Table 201. M-cell OSR versus ODR

ODR (Hz)	OSR = 0	OSR = 1	OSR = 2	OSR = 3	OSR = 4	OSR = 5	OSR = 6	OSR = 7
1.56	16	16	32	64	128	256	512	1024
6.25	4	4	8	16	32	64	128	256
12.5	2	2	4	8	16	32	64	128
50	2	2	2	2	4	8	16	32
100	2	2	2	2	2	4	8	16
200	2	2	2	2	2	2	4	8
400	2	2	2	2	2	2	2	4
800	2	2	2	2	2	2	2	2

10.17.4 M_INT_SRC (0x5E) register

Table 202. M_INT_SRC register

—	—	—	—	—	src_m_ths	src_m_vecm	src_m_drdy
0	0	0	0	0	0	0	0

Table 203. M_INT_SRC bit description

Field	Description
src_m_ths	Magnetic threshold interrupt flag: 0: Magnetic threshold event has not been detected. 1: Magnetic threshold event has been detected.
src_m_vecm	Magnetic vector-magnitude interrupt flag: 0: Magnetic vector-magnitude change event has not been detected. 1: Magnetic vector-magnitude change event has been detected.
src_m_drdy	Magnetic data-ready interrupt flag: 0: No new magnetic data is available. 1: New magnetic data is available.

10.18 Magnetometer vector-magnitude function

The magnetometer vector-magnitude function will generate an interrupt when

$\sqrt{(m_x_out - m_x_ref)^2 + (m_y_out - m_y_ref)^2 + (m_z_out - m_z_ref)^2} > M_VECM_THS$ value and $t > M_VECM_CNT$ value. Where m_x_out , m_y_out , and m_z_out are the current decimated magnetometer output values, and m_x_ref , m_y_ref , and m_z_ref are the internally latched reference values. The user may program the M_VECM_THS and M_VECM_CNT registers to establish the conditions needed to detect a magnetic vector-magnitude change event. Depending on the values chosen for the reference values, this function may be configured to detect a magnetic field magnitude that is above a preset threshold (with reference values = 0), or a change in magnitude between two magnetic vectors greater than the preset threshold (with reference values non-zero). Please note x_ref , y_ref , z_ref are stored internally and are not observable by the user through the register interface. Please refer to Freescale application note AN4458.

10.18.1 M_VECM_CFG (0x69) register

Table 204. M_VECM_CFG register

—	m_vecm_ele	m_vecm_initm	m_vecm_updm	m_vecm_en	m_vecm_wake_en	m_vecm_init_en	m_vecm_init_cfg
0	0	0	0	0	0	0	0

Table 205. M_VECM_CFG bit descriptions

Field	Description
m_vecm_ele	Magnetic vector-magnitude event latch enable: 0: Event latch disabled 1: Event latch enabled With event latching enabled, the <i>src_m_vecm</i> interrupt flag may only be cleared by reading the <i>M_INT_SRC</i> register. With event latching disabled, the <i>src_m_vecm</i> interrupt flag is updated in real time and may be cleared by the ASIC prior to the user reading the flag.
m_vecm_initm	Magnetic vector-magnitude initialization mode: 0: The ASIC uses the current magnetic output data as the initial reference values at the time the <i>m_vecm_en</i> bit is set. 1: The ASIC uses the data stored in the <i>M_VECM_X/Y/Z_INIT</i> registers as the initial reference values at the time the <i>m_vecm_en</i> bit is set.
m_vecm_updm	Magnetic vector-magnitude reference value update mode: 0: The function updates the reference values with the current X/Y/Z magnetic data when the event is triggered. 1: The function does not update the reference values when the event is triggered. <i>Setting m_vecm_initm = 1 and m_vecm_updm = 1 allows the user to manually update the reference values using the M_VECM_INIT_X/Y/Z registers in real time when the function is enabled.</i>
m_vecm_en	Magnetic vector-magnitude function enable: 0: Function is disabled. 1: Function is enabled, the ASIC will update the internal <i>m_x/y/z_ref</i> registers with either the current magnetic output data or the values stored in the <i>M_VECM_INIT_X/Y/Z</i> registers depending on the state of <i>m_vecm_initm</i> . Note: The magnetic vector-magnitude function will only function correctly up to a maximum ODR of 400 Hz.
m_vecm_wake_en	Magnetic vector-magnitude wake enable: 0: The system excludes the <i>src_m_vecm</i> event flag when evaluating the Auto-Sleep function. 1: The system includes the <i>src_m_vecm</i> event flag when evaluating the Auto-Sleep function.
m_vecm_int_en	Magnetic vector-magnitude interrupt enable: 0: Magnetic vector-magnitude interrupt is disabled. 1: Magnetic vector-magnitude interrupt is enabled.
m_vecm_init_cfg	Magnetic vector-magnitude interrupt configuration: 0: Magnetic vector-magnitude interrupt is output on INT2 pin. 1: Magnetic vector-magnitude interrupt is output on INT1 pin.

10.18.2 M_VECM_THS_MSB (0x6A) register

Table 206. M_VECM_THS_MSB register

m_vecm_dbcntm	m_vecm_ths[14:8]
0	0b000_0000

Table 207. M_VECM_THS_MSB bit descriptions

Field	Description
m_vecm_dbcntm	Magnetic vector-magnitude debounce counter mode selection: 0: The debounce counter is decremented by 1 whenever the current vector-magnitude result is below the threshold set in M_VECM_THS. 1: The debounce counter is cleared whenever the current vector-magnitude result is below the threshold set in M_VECM_THS.
m_vecm_ths[14:8]	Seven most significant bits of 15-bit unsigned magnetic vector-magnitude threshold. Resolution is 0.1 μ T/LSB.

10.18.3 M_VECM_THS_LSB (0x6B) register

Table 208. M_VECM_THS_LSB register

m_vecm_ths[7:0]
0b0000_0000

10.18.4 M_VECM_CNT (0x6C) register

Table 209. M_VECM_CNT register

m_vecm_cnt[7:0]
0b0000_0000

Table 210. M_VECM_CNT bit description

Field	Description
m_vecm_cnt[7:0]	Vector-magnitude debounce count value.

The debounce timer period is determined by the ODR selected in CTRL_REG1; it is equal to the number indicated in M_VECM_CNT register times 1/ODR. For example, a value of 16 in M_VECM_CNT with an ODR setting of 400 Hz will result in a debounce period of 40 ms. Note that ODR is halved when in hybrid mode.

10.18.5 M_VECM_INITX_MSB (0x6D) register

Table 211. M_VECM_INITX_MSB register

m_vecm_initx[15:8]
0b0000_0000

Table 212. M_VECM_INITX_MSB bit description

Field	Description
m_vecm_initx[15:8]	MSB of signed 16-bit initial X-axis value used by the magnetic vector-magnitude function when M_VECM_CFG[m_vecm_initm] = 1.

10.18.6 M_VECM_INITX_LSB (0x6E) register

Table 213. M_VECM_INITX_LSB register

m_vecm_initx[7:0]
0b0000_0000

Table 214. M_VECM_INITX_LSB bit description

Field	Description
m_vecm_initx[7:0]	LSB of signed 16-bit initial X-axis value used by the magnetic vector-magnitude function when M_VECM_CFG[m_vecm_initm] = 1.

10.18.7 M_VECM_INITY_MSB (0x6F) register

Table 215. M_VECM_INITY_MSB register

m_vecm_inity[15:8]
0b0000_0000

Table 216. M_VECM_INITY_MSB bit description

Field	Description
m_vecm_inity[15:8]	MSB of signed 16-bit initial Y-axis value used by the magnetic vector-magnitude function when M_VECM_CFG[m_vecm_initm] = 1.

10.18.8 M_VECM_INITY_LSB (0x70) register

Table 217. M_VECM_INITY_LSB register

m_vecm_inity[7:0]
0b0000_0000

Table 218. M_VECM_INITY_LSB bit description

Field	Description
m_vecm_inity[7:0]	LSB of signed 16-bit initial Y-axis value used by the magnetic vector-magnitude function when M_VECM_CFG[m_vecm_initm] = 1.

10.18.9 M_VECM_INITZ_MSB (0x71) register

Table 219. M_VECM_INITZ_MSB register

m_vecm_initz[15:8]
0b0000_0000

Table 220. M_VECM_INITZ_MSB bit description

Field	Description
m_vecm_initz[15:8]	MSB of signed 16-bit initial Z-axis value used by the magnetic vector-magnitude function when M_VECM_CFG[m_vecm_initm] = 1.

10.18.10 M_VECM_INITZ_LSB (0x72) register

Table 221. M_VECM_INITZ_LSB register

m_vecm_initz[7:0]
0b0000_0000

Table 222. M_VECM_INITZ_LSB bit description

Field	Description
m_vecm_initz[7:0]	LSB of signed 16-bit initial Z-axis value used by the magnetic vector-magnitude function when M_VECM_CFG[m_vecm_initm] = 1.

11 Mounting Guidelines for the Quad Flat No-Lead (QFN) Package

Printed Circuit Board (PCB) layout is a critical portion of the total design. The footprint for the surface mount packages must be the correct size to ensure proper solder connection interface between the PCB and the package. With the correct footprint, the packages will self-align when subjected to a solder reflow process.

These guidelines are for soldering and mounting the Quad Flat No-Lead (QFN) package inertial sensors to PCBs. The purpose is to minimize the stress on the package after board mounting. The FXOS8700CQ uses the QFN package platform. This section describes suggested methods of soldering these devices to the PCB for consumer applications.

Refer to Freescale application note AN4247, "Layout Recommendation for PCBs Using a magnetometer Sensor" for a technical discussion on hard and soft-iron magnetic interference and general guidelines on layout and component selection applicable to any PCB using a magnetometer sensor.

Freescale application note AN1902, "Quad Flat Pack No-Lead (QFN) Micro Dual Flat Pack No-Lead (DFN)" discusses the QFN package used by the FXOS8700CQ, PCB design guidelines for using QFN packages and temperature profiles for reflow soldering.

11.1 Overview of soldering considerations

Information provided here is based on experiments executed on QFN devices. As they cannot represent exact conditions present at a customer site, the information provided herein should be used for guidance only and further process and design optimizations are recommended to develop an application specific solution. It should be noted that with the proper PCB footprint and solder stencil designs, the package will self-align during the solder reflow process.

11.2 Halogen content

This package is designed to be Halogen Free, exceeding most industry and customer standards. Halogen Free means that no homogeneous material within the assembled package will contain chlorine (Cl) in excess of 700 ppm or 0.07% weight/weight or bromine (Br) in excess of 900 ppm or 0.09% weight/weight.

11.3 PCB mounting recommendations

1. The PCB land should be designed with Non-Solder Mask Defined (NSMD) as shown in [Figure 20](#) and [Figure 21](#).
2. No additional via pattern underneath package.
3. PCB land pad is 0.8 mm by 0.3 mm as shown in [Figure 20](#) and [Figure 21](#).
4. Solder mask opening = PCB land pad edge + 0.113 mm larger all around.
5. Stencil opening = PCB land pad - 0.015 mm smaller all around = 0.77 mm by 0.27 mm.
6. Stencil thickness is 100 or 125 μm .
7. Do not place any components or vias at a distance less than 2 mm from the package land area. This may cause additional package stress if it is too close to the package land area.
8. Signal traces connected to pads should be as symmetric as possible. Put dummy traces on the NC pads in order to have same length of exposed trace for all pads.
9. Use a standard pick and place process and equipment. Do not use a hand soldering process.
10. Do not use a screw down or stacking to fix the PCB into an enclosure as this could bend the PCB, putting stress on the package.
11. The PCB should be rated for the multiple lead-free reflow condition with max 260 °C temperature.
12. No copper traces on top layer of PCB under the package. This will cause planarity issues with board mount. Freescale QFN sensors are compliant with Restrictions on Hazardous Substances (RoHS), having halide-free molding compound (green) and lead-free terminations. These terminations are compatible with tin-lead (Sn-Pb) as well as tin-silver-copper (Sn-Ag-Cu) solder paste soldering processes. Reflow profiles applicable to those processes can be used successfully for soldering the devices.

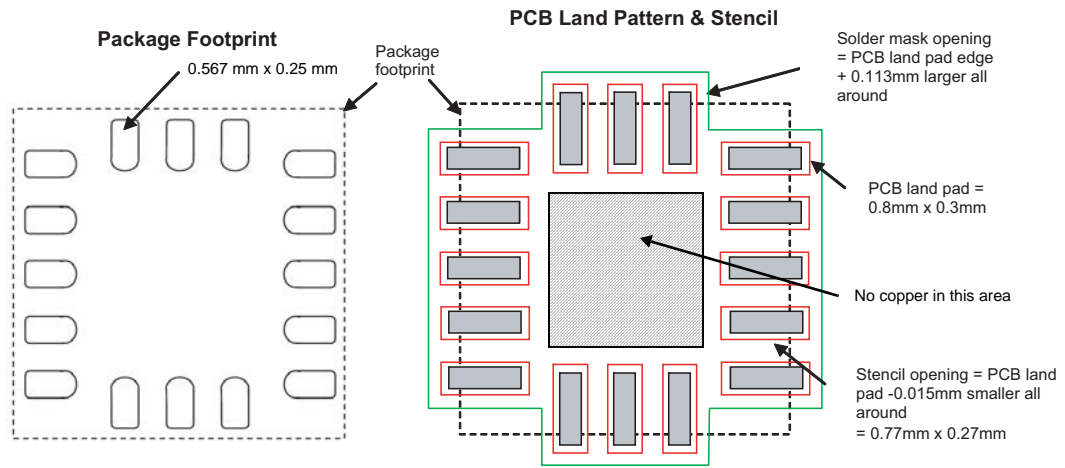


Figure 20. Recommended PCB land pattern, solder mask, and stencil opening near package footprint

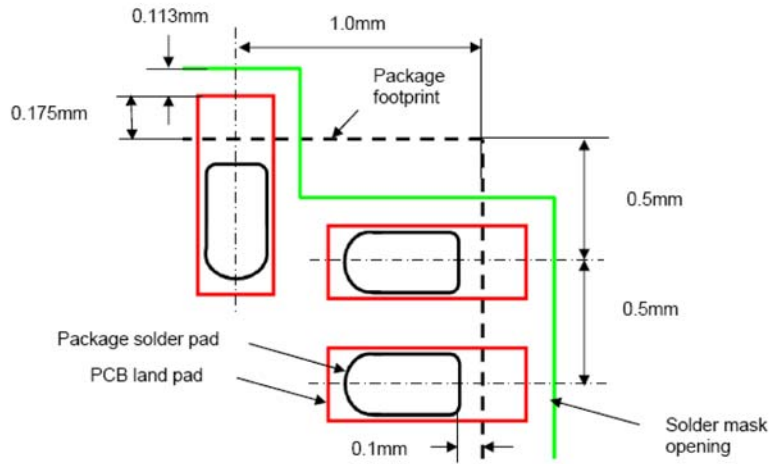


Figure 21. Detailed dimensions

12 Package Thermal Characteristics

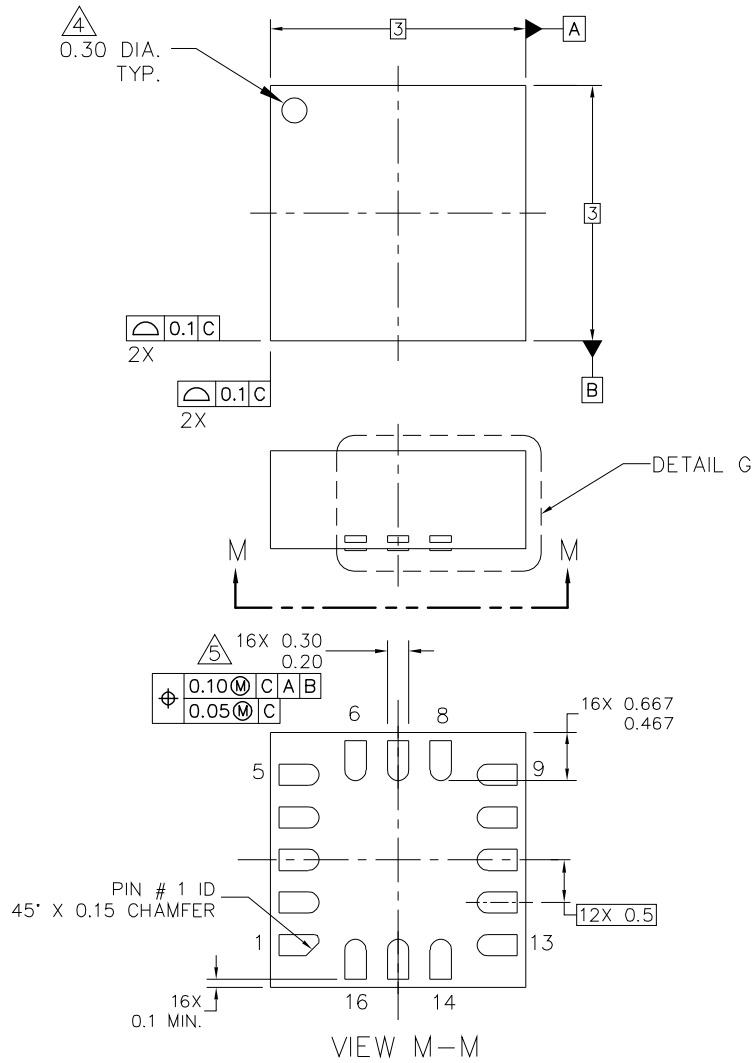
Table 223. Thermal resistance data

Rating	Description	Symbol	Value	Unit
Junction-to-ambient, natural convection ⁽¹⁾⁽²⁾	Single-layer board	$R_{\theta JA}$	163	°C/W
Junction-to-ambient, natural convection ⁽¹⁾⁽³⁾	Four-layer board (two signals, two planes)		70	
Junction-to-board ⁽⁴⁾		$R_{\theta JB}$	33	°C/W
Junction-to-case (top) ⁽⁵⁾		$R_{\theta JCTop}$	84	°C/W
Junction-to-package (top) ⁽⁶⁾	Natural convection	Ψ_{JT}	6	°C/W

1. Junction temperature is a function of die size, on-chip power dissipation, package thermal resistance, mounting site (board) temperature, ambient temperature, air flow, power dissipation of other components on the board, and board thermal resistance.
2. Per JEDEC JESD51-2 with the single-layer board (JESD51-3) horizontal.
3. Per JEDEC JESD51-6 with the board (JESD51-7) horizontal.
4. Thermal resistance between the die and the printed circuit board per JEDEC JESD51-8. Board temperature is measured on the top surface of the board near the package.
5. Thermal resistance between the die and the case top surface as measured by the cold plate method (MIL SPEC-883 Method 1012.1).
6. Thermal characterization parameter indicating the temperature difference between package top and the junction temperature per JEDEC JESD51-2. When Greek letters are not available, the thermal characterization parameter is written as Psi-JT.

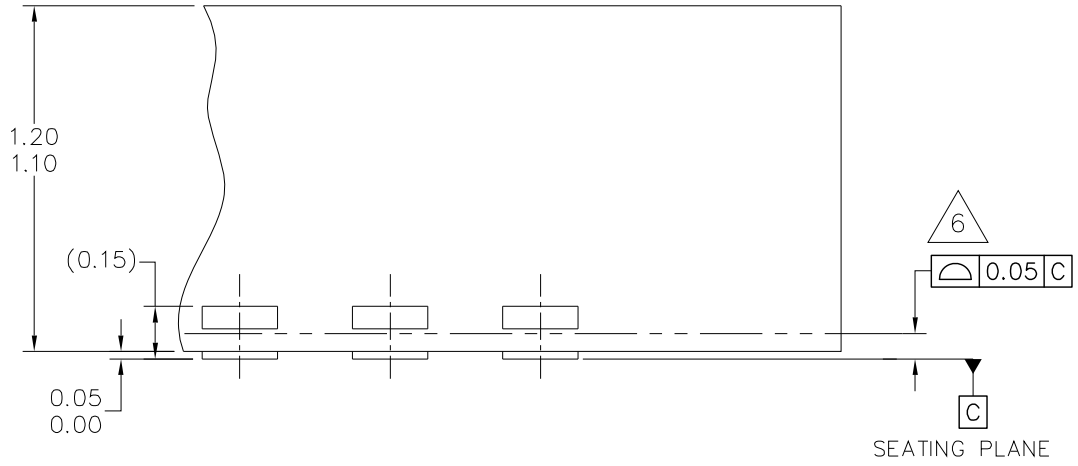
13 Package

This drawing is located at http://cache.freescale.com/files/shared/doc/package_info/98ASA00318D.pdf



© FREESCALE SEMICONDUCTOR, INC. ALL RIGHTS RESERVED.		MECHANICAL OUTLINE		PRINT VERSION NOT TO SCALE	
TITLE: QFN-COL, 3 X 3 X 1.2, 0.5 PITCH, 16 TERMINAL			DOCUMENT NO: 98ASA00318D		REV: A
			CASE NUMBER: 2188-02		20 NOV 2012
			STANDARD: NON JEDEC		

Case 98ASA00318D, 3 x 3 x 1.2, 16-lead QFN






DETAIL G

© FREESCALE SEMICONDUCTOR, INC. ALL RIGHTS RESERVED.	MECHANICAL OUTLINE	PRINT VERSION NOT TO SCALE	
TITLE: QFN-COL, 3 X 3 X 1.2, 0.5 PITCH, 16 TERMINAL		DOCUMENT NO: 98ASA00318D	REV: A
		CASE NUMBER: 2188-02	20 NOV 2012
		STANDARD: NON JEDEC	

Case 98ASA00318D, 3 x 3 x 1.2, 16-lead QFN

NOTES:

1. ALL DIMENSIONS ARE IN MILLIMETERS.
2. INTERPRET DIMENSIONS AND TOLERANCES PER ASME Y14.5M-1994.
3. THIS IS NON JEDEC REGISTERED PACKAGE.
4.  PIN #1 ID ON TOP WILL BE LASER MARKED.
5.  THIS DIMENSION APPLIES TO METALLIZED TERMINAL AND IS MEASURED BETWEEN 0.15 AND 0.30mm FROM TERMINAL TIP. IF THE TERMINAL HAS THE OPTIONAL RADIUS ON THE OTHER END OF THE TERMINAL, THIS DIMENSION SHOULD NOT BE MEASURED IN THAT RADIUS AREA.
6.  COPLANARITY APPLIES TO LEADS AND ALL OTHER BOTTOM SURFACE METALLIZATION.
7. MIN. METAL GAP SHOULD BE 0.2MM.

© FREESCALE SEMICONDUCTOR, INC. ALL RIGHTS RESERVED.	MECHANICAL OUTLINE	PRINT VERSION NOT TO SCALE	
TITLE: QFN-COL, 3 X 3 X 1.2, 0.5 PITCH, 16 TERMINAL	DOCUMENT NO: 98ASA00318D	REV: A	
	CASE NUMBER: 2188-02	20 NOV 2012	
	STANDARD: NON JEDEC		

Case 98ASA00318D, 3 x 3 x 1.2, 16-lead QFN

14 Revision History

Table 224. Revision history

Revision number	Revision date	Description of changes
0.1	05/2012	<ul style="list-style-type: none"> Corrected Figure 1 and updated Figure 4 to include acceleration values.
0.2	05/2012	<ul style="list-style-type: none"> Added Autonomous sub-bullets to first page. Table 2: Changed Cross-axis Max value to ± 0.5 and Die-to-package alignment error Max value to ± 2. Table 13: WHO_AM_I register, Default Hex Value numbers changed from 0xC4/0xC7 to 0xC7 removed Note 4 and 5. Section 9.1.7, WHO_AM_I register changed register numbers in Figure 16 from 0xC4/0xC7 to 0xC7
0.3	05/2012	<ul style="list-style-type: none"> Table 2: Changed Nonlinearity values to TBD. Added Test Conditions for Noise rows. Table 3: Added Min values for Self-test output change for X-axis and Y-axis rows. Table 5: Updated ODR values for Low-power acceleration mode, Normal-acceleration mode, Hybrid mode and Magnetic mode. Added max value for IddSTBY, Standby mode; added Typ values for VIH and VIL, all previously TBD. Added Typ value for 25° SCL, SDA pin leakage. Added Section 7.5, Hybrid mode. Table 13: Deleted registers 0x79, 0x7A, 0x7B and 0x7C, Table 50: Updated a_ffmt_ths_xyz_en description. Table 51: Updated a_ffmt_trans_ths_en description. Updated descriptive paragraph for Section 9.11.3. Updated descriptive paragraph for Section 9.11.4.
1	06/2012	<ul style="list-style-type: none"> Changed title of document. Table 3: Updated Note 2. Tco spec updated, Hysteresis value updated, Updated Noise values for ODR = 6.25 Hz, OS = 256 and ODR = 1.56 Hz, OS = 1024. Updated Vst X-axis Typ value from -1500 to -1320 and Z-axis from TBD to 100. Table 4: Removed first two rows, X, Y, Z inertial alignment parameters and Typ values. Table 8: Added SCL, SDA pin leakage Typ value 4 nA, added SCL, SDA pin capacitance 3 pf. Replace Table 8 with updated parameters. Updated section 5.2 SPI interface characteristics. Table 94: updated m_st_xy[1:0] bit description.

Table 224. Revision history (Continued)

Revision number	Revision date	Description of changes
2	05/2013	<ul style="list-style-type: none"> • Changed title of document. • Table 1: Added footnotes. • Table 2: Added footnotes. Updated Sensitivity change with temperature row Typ value from 0.008 to 0.01. Changed Zero-g level change versus temperature Typ value from ± 0.15 to ± 0.2. Changed Typ value in Hysteresis from ± 1 to ± 0.5. Updated Nonlinearity row from TBD to 0.25%FS_{ACCEL}. Self-Test output change row: updated Typ values from 143, 255, and 1330 to 249, 335, and 1640 respectively and changed Symbol column for all axes. Deleted ODR accuracy row. Moved Output data bandwidth row to Table 4. Typ values, added min values. Removed footnote 2 from table. • Table 3: Updated Symbol names for all rows. Updated Unit column for Hysteresis and added note 3 to Nonlinearity and Magnetometer output noise rows. Removed Temperature sensor repeatability row and footnote 4. Updated all Typ values for Magnetometer output noise row(s). Changed Self-test output change row Symbol from Vst to STOC_{mag}; updated Typ values from 1164, 1130, 41 to 1161, -1130 and -43 respectively. Removed Typ and Max values and updated min values. Removed Min and Max values from Output data bandwidth row, added Min value. Footnote 2: changed applied magnetic field values from -1200 μT to -1000 μT to -1200 μT to 1000 μT • Table 4: Added Symbol for Maximum output data rate in hybrid mode. • Table 5: Updated Symbol names for most rows. Updated Test conditions column for Hybrid mode and Magnetic mode rows. Updated Standby mode current over-temperature range row Max value column from 16 to 10. Moved Typ value for Digital high-level input voltage RST pin to Min column, and moved Typ value for Digital low-level input voltage RST pin to Max column. Removed BW rows (two) from table. Changed Power-on ramp time to VDD rise time. Corrected footnote order. • Added paragraph for Section 4.5. • Table 9: Removed note regarding preproduction parts and addresses. • Section 5.2.1: Updated first paragraph with point-to-point information. • Added text in paragraph for Section 5.2.3. • Table 14: Updated PL_CFG register Default Hex Value from 0x83 to 0x80, PL_BF_ZCOMP from 0x00 to 0x84, PL_THS_REG from 0x1A to 0x44 Changed Reserved bit address from 0x7D-0xFF to 0x79-0xFF. Added Auto-incremented Address information for register addresses 0x32-0x78. • Updated NOTE following Table 14. • Corrected bit names in Table 17. • Table 25: Updated last two rows, ODR accelerometer or magnetometer only modes was 6.3 to 6.25, and 1.6 to 1.5625 respectively; ODR hybrid mode was 3.15 to 3.125 and 0.8 to 0.7813 respectively. • Table 34: updated rst Description. • Added Table 36. • Added text in paragraph for Section 9.3.1. • Corrected bit names in Table 63. • Table 65: Changed bits 0 and 1 values from 1 to 0. • Table 69: Change bits 0 and 1 values from 03010 to 00b100 and changed bits 7 and 6 values from 0 to 0b10. • Table 70: Updated Descriptions for zlock, default value from 00 \rightarrow 13$^{\circ}$ to 0x04 \rightarrow \sim28$^{\circ}$ and maximum value from 07 \rightarrow 44$^{\circ}$ to 0x07 \rightarrow \sim44$^{\circ}$. Updated Descriptions for bkfr, default value from 10 \rightarrow \pm75$^{\circ}$ to 0b10 \rightarrow \pm70$^{\circ}$. • Table 73: Updated bits 0 and 1 value from 0b010 to 0b100 and bits 2-7 value from 0b0_0011 to 0b0_1000. • New Section 11 Package Thermal Characteristics. • Updated package outline. • Added Appendix, errata information.

Table 224. Revision history (Continued)

Revision number	Revision date	Description of changes
3	07/2013	<ul style="list-style-type: none"> • Added new Section 3 Example Driver Code. • Table 5: Updated Test Conditions column for Nonlinearity from $\pm 2 g$ to $\pm 1 g$. Added footnote 7 to Output noise density row. • Section 6.2.4: Added toggle information to end of paragraph. • Table 15: Updated Comment column for Register addresses 0x07-0x08, 0x1D, 0x51, and 0x79. Updated contents of NOTE following table. • Section 10.1.2: Corrected first paragraph from Data-Ready Status when STATUS = 0x00 to Data-Ready Status when F_SETUP[f_mode] = 0x00. • Section 10.1.3: Corrected first paragraph from FIFO Status when STATUS = 0x00 to FIFO Status when F_SETUP[f_mode] = 0x00. • Section 10.1.8: Updated last paragraph; deleted sentence “Data read from the FIFO will also skip over the LSB data, reducing the data acquisition time”. • Deleted Table 38. • Section 9.3.1: Updated first paragraph. • Table 68: Updated 6.25 Hz values for LPLN and Low Power and 1.56 Hz values for LPLN. • Table 75: Switched columns, updated first column header. • Deleted Table 87. • Table 92: Updated contents of table. • Section 10.10.4: Updated contents of paragraph following Table 99. • Deleted Table 100. • Table 120: Updated 6.25 Hz and 1.56 Hz rows, values for LPLN and Low Power columns. Updated the paragraph following the table. • Table 133 Updated title from “Time step for pulse time limit LPF_EN = 1” to “PULSE_TMLT with HP_FILTER_CUTOFF[pls_hpf_en] = 1”. Updated 6.25 Hz and 1.56 Hz rows, values for LPLN and Low Power columns. • Table 134: Updated title from “Time step for pulse time limit LPF_EN = 1” to “PULSE_TMLT with HP_FILTER_CUTOFF[pls_hpf_en] = 0”. Updated 6.25 Hz and 1.56 Hz rows, values for LPLN and Low Power columns. • Table 137: Updated title from “Time step for PULSE Latency @ ODR and power mode LPF_EN = 0” to “Time step PULSE_LTCY with HP_FILTER_CUTOFF[pls_hpf_en] = 0”. Updated 6.25 Hz and 1.56 Hz rows, values for LPLN and Low Power columns. • Table 138: Updated 6.25-Hz and 1.56-Hz rows, values for LPLN and Low Power columns. • Table 141: Updated title from “Time step PULSE detection window @ ODR and power mode LPF_EN = 1” to “Time step for PULSE_WIND with HP_FILTER_CUTOFF[pls_hpf_en] = 1”. Updated 6.25-Hz and 1.56-Hz rows, values for LPLN and Low Power columns. • Table 142: Updated title from “Time step PULSE detection window @ ODR and power mode LPF_EN = 1” to “Time step for PULSE_WIND with HP_FILTER_CUTOFF[pls_hpf_en] = 0”. Updated 6.25 Hz and 1.56 Hz rows, values for LPLN and Low Power columns. • Table 194: Removed columns and changed Time step (ms) rows and columns with new content. • Section 10.17.5: Changed to Section 10.18. • Section 11: Added references to application notes for additional information. • Removed Section 11.1. • Removed Workaround 2 from Appendix.
4.0	02/2014	<ul style="list-style-type: none"> • Global change to register tables, changed format of bit values. • Section 5.2, Table 3: Changed Min, Typ and Max values for Self-Test output change row. Added Note 4. • Added Table 6. • Moved section 3 Example FXOS8700CQ Driver Code and subsections after section 9 Register Map renumbering both sections to 8 and 9 respectively. • Corrected codes in Example 6. • Table 15: Updated and correct footnote numbering in table. • Table 28: Corrected Description for src_a_vecm from “This bit is asserted whenever PULSE_SRC[ea] is asserted...” to “This bit is asserted whenever A_FFMT_SRC[ea] is asserted...” • Table 33: Updated descriptions for smods[1:0] and mods[1:0] bit fields. • Table 37: Updated Description for fifo_gate and changed bit name for wake_en_a_vecm to wake_a_vecm. • Table 43. Updated int_cfg_drdy description from “INT1/INT2 configuration.” to “Data-ready interrupt routing.”
4.1	01/2015	<ul style="list-style-type: none"> • Removed Appendix A and created document FXOS8700CQER.

Table 224. Revision history (Continued)

Revision number	Revision date	Description of changes
5.0	05/2015	<ul style="list-style-type: none">• Section 7.3: Updated content in first paragraph.• Section 10.1.8: Table 31, updated Description for Inoise Field.• Section 10.1.9: Table 35, updated Description for rst Field.• Section 10.6.1: Table 59, added Sensitivity column with previous Full-scale Range values and added new values to the Full-scale range column.• Section 10.9.3: Table 84, updated Description for a_ffmt_ths_xyz_en field.• Section 10.11.3: Updated first paragraph.

How to Reach Us:

Home Page:

freescale.com

Web Support:

freescale.com/support

Information in this document is provided solely to enable system and software implementers to use Freescale products. There are no express or implied copyright licenses granted hereunder to design or fabricate any integrated circuits based on the information in this document.

Freescale reserves the right to make changes without further notice to any products herein. Freescale makes no warranty, representation, or guarantee regarding the suitability of its products for any particular purpose, nor does Freescale assume any liability arising out of the application or use of any product or circuit, and specifically disclaims any and all liability, including without limitation consequential or incidental damages. "Typical" parameters that may be provided in Freescale data sheets and/or specifications can and do vary in different applications, and actual performance may vary over time. All operating parameters, including "typicals," must be validated for each customer application by customer's technical experts. Freescale does not convey any license under its patent rights nor the rights of others. Freescale sells products pursuant to standard terms and conditions of sale, which can be found at the following address: freescale.com/salestermsandconditions.

Freescale, the Freescale logo, and the Energy Efficient Solutions logo are trademarks of Freescale Semiconductor, Inc., Reg. U.S. Pat. & Tm. Off. All other product or service names are the property of their respective owners.

© 2012-2015 Freescale Semiconductor, Inc.

Компания «Life Electronics» занимается поставками электронных компонентов импортного и отечественного производства от производителей и со складов крупных дистрибьюторов Европы, Америки и Азии.

С конца 2013 года компания активно расширяет линейку поставок компонентов по направлению коаксиальный кабель, кварцевые генераторы и конденсаторы (керамические, пленочные, электролитические), за счёт заключения дистрибьюторских договоров

Мы предлагаем:

- Конкурентоспособные цены и скидки постоянным клиентам.
- Специальные условия для постоянных клиентов.
- Подбор аналогов.
- Поставку компонентов в любых объемах, удовлетворяющих вашим потребностям.
- Приемлемые сроки поставки, возможна ускоренная поставка.
- Доставку товара в любую точку России и стран СНГ.
- Комплексную поставку.
- Работу по проектам и поставку образцов.
- Формирование склада под заказчика.
- Сертификаты соответствия на поставляемую продукцию (по желанию клиента).
- Тестирование поставляемой продукции.
- Поставку компонентов, требующих военную и космическую приемку.
- Входной контроль качества.
- Наличие сертификата ISO.

В составе нашей компании организован Конструкторский отдел, призванный помогать разработчикам, и инженерам.

Конструкторский отдел помогает осуществить:

- Регистрацию проекта у производителя компонентов.
- Техническую поддержку проекта.
- Защиту от снятия компонента с производства.
- Оценку стоимости проекта по компонентам.
- Изготовление тестовой платы монтаж и пусконаладочные работы.



Тел: +7 (812) 336 43 04 (многоканальный)
Email: org@lifeelectronics.ru