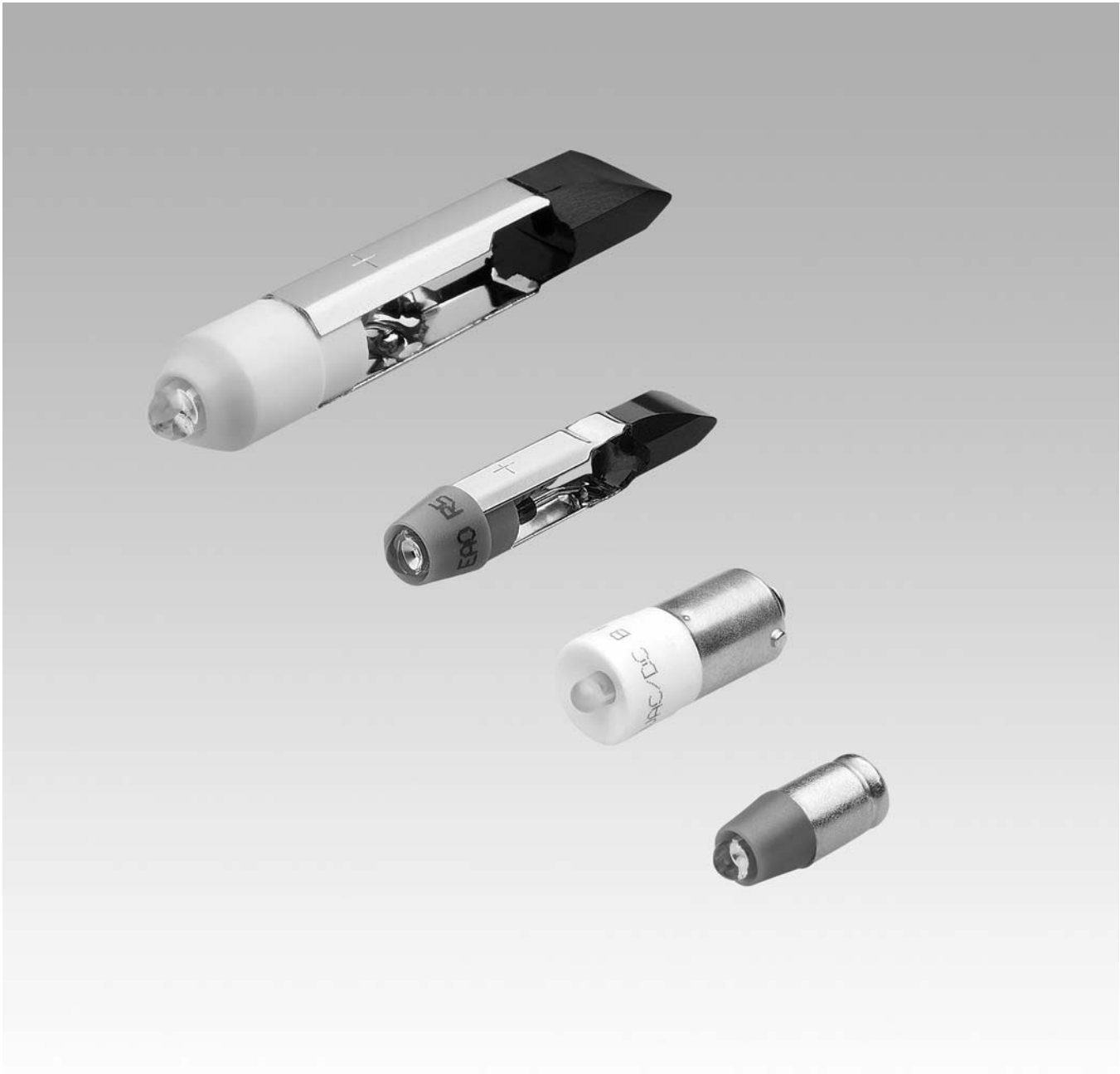


EAO – Your Expert Partner for
Human Machine Interfaces



EAO Product Information

Series 10 LED



| | |
|---------------------|----|
| Description | 3 |
| Illumination..... | 4 |
| Accessories..... | 8 |
| Technical Data..... | 9 |
| Drawings..... | 10 |
| Index..... | 11 |

Product Information

General notes

The LEDs have decisive advantages:

1. Optimum of illumination
2. Low power consumption
3. Used on DC voltage and AC voltage
4. Low heat generation
5. Extrem long lifetime
6. Shock and vibration proof

Design

The LEDs are built with an integrated resistor and they are available in three versions:

Without rectifier

Only for use on DC voltage. Please be aware of the polarity!

With half-wave rectifier

These LEDs are built with a protection diode in series with the resistor and the LED. They can be used without any problems on DC voltage and AC voltage. The typical light reduction on AC voltage against DC voltage operation is round 25%.

With bridge rectifier

Can be used without any problems on a DC voltage and AC voltage with the same light output. Bipolarity on DC voltage!

Illumination

Single-Chip LEDs in red, blue, green, yellow and white gives superb illumination and can be supplied in 6 VDC, 12, 24, 28, 48 VAC/DC, 130 VDC, 130 VAC and 230 VAC.

Due to production tolerances, colour temperature variations may be detected within individual consignments.

Lamp remover

for T1 3/4 MG LED

Typ-Nr. 61-9740.0 (series 22, 31, 41, 51, 61, 71)

Typ-Nr. 300-0002-00 (series Swisstac)

for T5.5 LED

Typ-Nr. 02-906 (series 01, 14)

Typ-Nr. 300-0002-00 (series Swisstac)

for T6.8 LED

Typ-Nr. 03-996 (series 02, 03)

for T3 1/4 BA9s LED

Typ-Nr. 700.006.0 (series 04)

Typ-Nr. 44-935 (series 44)

Used in series

T1 3/4 MG: 22, 31, 41, 51, 61, 71, Swisstac

T5.5: 01, 14, Swisstac

T6.8: 02, 03

T3 1/4 BA9s: 04, 44

We reserve the right to modify technical data

All dimensions in mm

Single-LED T1 3/4 (6mm) MG



| | Light colour | Operating voltage/-current | Lumi. Intensity | Dom. Wavelength | Version | Typ-Nr. | Component layout | Technical drawing | |
|-----------------------------------|--------------------|----------------------------|-----------------|--------------------|---------------------|---------------------|------------------|-------------------|-------|
| Single-LED T1 3/4 (6mm) MG | blue | 12 VAC/DC, 7/14 mA | 650 mcd | 470 nm | HR | 10-2J09.1066 | 1 | 0.002 | |
| | | 24 VAC/DC, 7/14 mA | 650 mcd | 470 nm | HR | 10-2J12.1066 | 1 | 0.002 | |
| | | 28 VAC/DC, 7/14 mA | 650 mcd | 470 nm | HR | 10-2J13.1066 | 1 | 0.002 | |
| | | 48 VAC/DC, 4/8 mA | 400 mcd | 470 nm | HR | 10-2J19.1046 | 1 | 0.002 | |
| | | 6 VDC, 15 mA | 680 mcd | 470 nm | WR | 10-2J06.3146 | 1 | 0.002 | |
| | green | 12 VAC/DC, 4/7 mA | 1050 mcd | 525 nm | HR | 10-2J09.1065 | 1 | 0.002 | |
| | | 24 VAC/DC, 4/7 mA | 1050 mcd | 525 nm | HR | 10-2J12.1065 | 1 | 0.002 | |
| | | 28 VAC/DC, 4/7 mA | 1050 mcd | 525 nm | HR | 10-2J13.1065 | 1 | 0.002 | |
| | | 48 VAC/DC, 2/4 mA | 600 mcd | 525 nm | HR | 10-2J19.1045 | 1 | 0.002 | |
| | | 6 VDC, 7 mA | 1050 mcd | 525 nm | WR | 10-2J06.3145 | 1 | 0.002 | |
| | red | 12 VAC/DC, 7/14 mA | 330 mcd | 630 nm | HR | 10-2J09.1062 | 1 | 0.002 | |
| | | 24 VAC/DC, 7/14 mA | 330 mcd | 630 nm | HR | 10-2J12.1062 | 1 | 0.002 | |
| | | 28 VAC/DC, 7/14 mA | 330 mcd | 630 nm | HR | 10-2J13.1062 | 1 | 0.002 | |
| | | 48 VAC/DC, 4/8 mA | 200 mcd | 630 nm | HR | 10-2J19.1042 | 1 | 0.002 | |
| | | 6 VDC, 15 mA | 350 mcd | 630 nm | WR | 10-2J06.3142 | 1 | 0.002 | |
| | white diffuse | 12 VAC/DC, 7/14 mA | 700 mcd | x=0.31 / y=0.32 | HR | 10-2J09.1069 | 1 | 1 | 0.002 |
| | | 24 VAC/DC, 7/14 mA | 700 mcd | x=0.31 / y=0.32 | HR | 10-2J12.1069 | 1 | 1 | 0.002 |
| | | 28 VAC/DC, 7/14 mA | 700 mcd | x=0.31 / y=0.32 nm | HR | 10-2J13.1069 | 1 | 1 | 0.002 |
| | | 48 VAC/DC, 4/8 mA | 400 mcd | x=0.31 / y=0.32 | HR | 10-2J19.1049 | 1 | 1 | 0.002 |
| | | 6 VDC, 15 mA | 750 mcd | x=0.31 / y=0.32 | WR | 10-2J06.3149 | 1 | 1 | 0.002 |
| yellow | 12 VAC/DC, 7/14 mA | 280 mcd | 587 nm | HR | 10-2J09.1064 | 1 | 0.002 | | |
| | 24 VAC/DC, 7/14 mA | 280 mcd | 587 nm | HR | 10-2J12.1064 | 1 | 0.002 | | |
| | 28 VAC/DC, 7/14 mA | 280 mcd | 587 nm | HR | 10-2J13.1064 | 1 | 0.002 | | |
| | 48 VAC/DC, 4/8 mA | 180 mcd | 587 nm | HR | 10-2J19.1044 | 1 | 0.002 | | |
| | 6 VDC, 15 mA | 300 mcd | 587 nm | WR | 10-2J06.3144 | 1 | 0.002 | | |

Electrical and optical data are measured at 25°C.

Luminous intensity data of the LEDs on direct voltage.

The specified versions are built with a protection diode in series and the LED.

A suitable lamp remover Part No. 61-9740.0 (Series Swisstac Part No. 300-0002-00).

Version: HR = With half-wave rectifier, WR = Without rectifier

Component layout from page 10, Technical drawing from page 10

Single-LED T5.5



| | Light colour | Operating voltage/-current | Lumi. Intensity | Dom. Wavelength | Version | Typ-Nr. | Component layout | Technical drawing | 3D |
|------------------------|---------------|----------------------------|-----------------|-----------------|---------|---------------------|------------------|-------------------|-------|
| Single-LED T5.5 | blue | 12 VAC/DC, 7/14 mA | 650 mcd | 470 nm | HR | 10-2109.1066 | 2 | 2 | 0.001 |
| | | 24 VAC/DC, 7/14 mA | 650 mcd | 470 nm | HR | 10-2112.1066 | 2 | 2 | 0.001 |
| | | 28 VAC/DC, 7/14 mA | 650 mcd | 470 nm | HR | 10-2113.1066 | 2 | 2 | 0.001 |
| | | 48 VAC/DC, 4/8 mA | 400 mcd | 470 nm | HR | 10-2119.1046 | 2 | 2 | 0.001 |
| | | 6 VDC, 15 mA | 680 mcd | 470 nm | WR | 10-2106.3146 | 2 | 2 | 0.001 |
| | green | 12 VAC/DC, 4/7 mA | 1050 mcd | 525 nm | HR | 10-2109.1065 | 2 | 2 | 0.001 |
| | | 24 VAC/DC, 4/7 mA | 1050 mcd | 525 nm | HR | 10-2112.1065 | 2 | 2 | 0.001 |
| | | 28 VAC/DC, 4/7 mA | 1050 mcd | 525 nm | HR | 10-2113.1065 | 2 | 2 | 0.001 |
| | | 48 VAC/DC, 2/4 mA | 600 mcd | 525 nm | HR | 10-2119.1045 | 2 | 2 | 0.001 |
| | | 6 VDC, 7 mA | 1050 mcd | 525 nm | WR | 10-2106.3145 | 2 | 2 | 0.001 |
| | red | 12 VAC/DC, 7/14 mA | 330 mcd | 630 nm | HR | 10-2109.1062 | 2 | 2 | 0.001 |
| | | 24 VAC/DC, 7/14 mA | 330 mcd | 630 nm | HR | 10-2112.1062 | 2 | 2 | 0.001 |
| | | 28 VAC/DC, 7/14 mA | 330 mcd | 630 nm | HR | 10-2113.1062 | 2 | 2 | 0.001 |
| | | 48 VAC/DC, 4/8 mA | 200 mcd | 630 nm | HR | 10-2119.1042 | 2 | 2 | 0.001 |
| | | 6 VDC, 15 mA | 350 mcd | 630 nm | WR | 10-2106.3142 | 2 | 2 | 0.001 |
| | white diffuse | 12 VAC/DC, 7/14 mA | 700 mcd | x=0.31 / y=0.32 | HR | 10-2109.1069 | 1 | 2 | 0.001 |
| | | 24 VAC/DC, 7/14 mA | 700 mcd | x=0.31 / y=0.32 | HR | 10-2112.1069 | 1 | 2 | 0.001 |
| | | 28 VAC/DC, 7/14 mA | 700 mcd | x=0.31 / y=0.32 | HR | 10-2113.1069 | 1 | 2 | 0.001 |
| | | 48 VAC/DC, 4/8 mA | 400 mcd | x=0.31 / y=0.32 | HR | 10-2119.1049 | 1 | 2 | 0.001 |
| | | 6 VDC, 15 mA | 750 mcd | x=0.31 / y=0.32 | WR | 10-2106.3149 | 1 | 2 | 0.001 |
| | yellow | 12 VAC/DC, 7/14 mA | 280 mcd | 587 nm | HR | 10-2109.1064 | 2 | 2 | 0.001 |
| | | 24 VAC/DC, 7/14 mA | 280 mcd | 587 nm | HR | 10-2112.1064 | 2 | 2 | 0.001 |
| | | 28 VAC/DC, 7/14 mA | 280 mcd | 587 nm | HR | 10-2113.1064 | 2 | 2 | 0.001 |
| | | 48 VAC/DC, 4/8 mA | 180 mcd | 587 nm | HR | 10-2119.1044 | 2 | 2 | 0.001 |
| | | 6 VDC, 15 mA | 300 mcd | 587 nm | WR | 10-2106.3144 | 2 | 2 | 0.001 |

Electrical and optical data are measured at 25°C.

Luminous intensity data of the LEDs on direct voltage.

The specified versions are built with a protection diode in series and the LED.

A suitable lamp remover Part No. 02-906 (Series Swisstac Part No. 300-0002-00).

Version: HR = With half-wave rectifier, WR = Without rectifier

Component layout from page 10, Technical drawing from page 10

Single-LED T6.8



| | Light colour | Operating voltage/-current | Lumi. Intensity | Dom. Wavelength | Version | Typ-Nr. | Component layout | Technical drawing | |
|------------------------|--------------------|----------------------------|-----------------|-----------------|---------------------|---------------------|------------------|-------------------|-------|
| Single-LED T6.8 | blue | 12 VAC/DC, 9/17 mA | 780 mcd | 470 nm | HR | 10-2K09.1076 | 3 | 0.002 | |
| | | 24 VAC/DC, 9/17 mA | 780 mcd | 470 nm | HR | 10-2K12.1076 | 3 | 0.002 | |
| | | 28 VAC/DC, 9/17 mA | 780 mcd | 470 nm | HR | 10-2K13.1076 | 3 | 0.002 | |
| | | 48 VAC/DC, 4/8 mA | 400 mcd | 470 nm | HR | 10-2K19.1056 | 3 | 0.002 | |
| | | 6 VDC, 17 mA | 780 mcd | 470 nm | WR | 10-2K06.3156 | 3 | 0.002 | |
| | green | 12 VAC/DC, 4/7 mA | 1050 mcd | 525 nm | HR | 10-2K09.1075 | 3 | 0.002 | |
| | | 24 VAC/DC, 4/7 mA | 1050 mcd | 525 nm | HR | 10-2K12.1075 | 3 | 0.002 | |
| | | 28 VAC/DC, 4/7 mA | 1050 mcd | 525 nm | HR | 10-2K13.1075 | 3 | 0.002 | |
| | | 48 VAC/DC, 2/4 mA | 600 mcd | 525 nm | HR | 10-2K19.1055 | 3 | 0.002 | |
| | | 6 VDC, 7 mA | 1050 mcd | 525 nm | WR | 10-2K06.3155 | 3 | 0.002 | |
| | red | 12 VAC/DC, 9/17 mA | 400 mcd | 630 nm | HR | 10-2K09.1072 | 3 | 0.002 | |
| | | 24 VAC/DC, 9/17 mA | 400 mcd | 630 nm | HR | 10-2K12.1072 | 3 | 0.002 | |
| | | 28 VAC/DC, 9/17 mA | 400 mcd | 630 nm | HR | 10-2K13.1072 | 3 | 0.002 | |
| | | 48 VAC/DC, 4/8 mA | 200 mcd | 630 nm | HR | 10-2K19.1052 | 3 | 0.002 | |
| | | 6 VDC, 17 mA | 400 mcd | 630 nm | WR | 10-2K06.3152 | 3 | 0.002 | |
| | white diffuse | 12 VAC/DC, 9/17 mA | 850 mcd | x=0.31 / y=0.32 | HR | 10-2K09.1079 | 1 | 3 | 0.002 |
| | | 24 VAC/DC, 9/17 mA | 850 mcd | x=0.31 / y=0.32 | HR | 10-2K12.1079 | 1 | 3 | 0.002 |
| | | 28 VAC/DC, 9/17 mA | 850 mcd | x=0.31 / y=0.32 | HR | 10-2K13.1079 | 1 | 3 | 0.002 |
| | | 48 VAC/DC, 4/8 mA | 400 mcd | x=0.31 / y=0.32 | HR | 10-2K19.1059 | 1 | 3 | 0.002 |
| | | 6 VDC, 17 mA | 850 mcd | x=0.31 / y=0.32 | WR | 10-2K06.3159 | 1 | 3 | 0.002 |
| yellow | 12 VAC/DC, 9/17 mA | 340 mcd | 340 nm | HR | 10-2K09.1074 | 3 | 0.002 | | |
| | 24 VAC/DC, 9/17 mA | 340 mcd | 340 nm | HR | 10-2K12.1074 | 3 | 0.002 | | |
| | 28 VAC/DC, 9/17 mA | 340 mcd | 340 nm | HR | 10-2K13.1074 | 3 | 0.002 | | |
| | 48 VAC/DC, 4/8 mA | 180 mcd | 340 nm | HR | 10-2K19.1054 | 3 | 0.002 | | |
| | 6 VDC, 17 mA | 340 mcd | 340 nm | WR | 10-2K06.3154 | 3 | 0.002 | | |

Electrical and optical data are measured at 25°C.

Luminous intensity data of the LEDs on direct voltage.

The specified versions are built with a protection diode in series and the LED.

A suitable lamp remover Part No. 03-996.

Version: HR = With half-wave rectifier, WR = Without rectifier

Component layout from page 10, Technical drawing from page 10

Single-LED T3 1/4 (10x25mm) BA9s



| | Light colour | Operating voltage/-current | Lumi. Intensity | Dom. Wavelength | Version | Typ-Nr. | Comp. layout | Techn. drawing | Fig. |
|---|------------------|----------------------------|-----------------|-----------------|---------------------|---------------------|--------------|----------------|-------|
| Single-LED T3 1/4 (10x25mm) BA9s | blue | 12 VAC/DC, 16 mA | 720 mcd | 470 nm | BR | 10-2509.1146 | 4 | 0.002 | |
| | | 130 VAC, 5 mA | 230 mcd | 470 nm | BR | 10-2H24.2056 | 4 | 0.002 | |
| | | 130 VDC, 3 mA | 200 mcd | 470 nm | BR | 10-2524.3046 | 4 | 0.002 | |
| | | 230 VAC, 3 mA | 200 mcd | 470 nm | BR | 10-2H25.2046 | 4 | 0.002 | |
| | | 24 VAC/DC, 15 mA | 680 mcd | 470 nm | BR | 10-2512.1146 | 4 | 0.002 | |
| | | 28 VAC/DC, 13 mA | 590 mcd | 470 nm | BR | 10-2513.1146 | 4 | 0.002 | |
| | | 48 VAC/DC, 8 mA | 400 mcd | 470 nm | BR | 10-2519.1056 | 4 | 0.002 | |
| | | 6 VDC, 17 mA | 780 mcd | 470 nm | WR | 10-2506.1086 | 4 | 0.002 | |
| | green | 12 VAC/DC, 7 mA | 1050 mcd | 525 nm | BR | 10-2509.1145 | 4 | 0.002 | |
| | | 130 VAC, 3 mA | 450 mcd | 525 nm | BR | 10-2H24.2055 | 4 | 0.002 | |
| | | 130 VDC, 2 mA | 300 mcd | 525 nm | BR | 10-2524.3045 | 4 | 0.002 | |
| | | 230 VAC, 2 mA | 300 mcd | 525 nm | BR | 10-2H25.2045 | 4 | 0.002 | |
| | | 24 VAC/DC, 7 mA | 1050 mcd | 525 nm | BR | 10-2512.1145 | 4 | 0.002 | |
| | | 28 VAC/DC, 7 mA | 1050 mcd | 525 nm | BR | 10-2513.1145 | 4 | 0.002 | |
| | | 48 VAC/DC, 4 mA | 600 mcd | 525 nm | BR | 10-2519.1055 | 4 | 0.002 | |
| | | 6 VDC, 7 mA | 1050 mcd | 525 nm | WR | 10-2506.1085 | 4 | 0.002 | |
| | red | 12 VAC/DC, 16 mA | 390 mcd | 630 nm | BR | 10-2509.1142 | 4 | 0.002 | |
| | | 130 VAC, 5 mA | 180 mcd | 630 nm | BR | 10-2H24.2052 | 4 | 0.002 | |
| | | 130 VDC, 3 mA | 120 mcd | 630 nm | BR | 10-2524.3042 | 4 | 0.002 | |
| | | 230 VAC, 3 mA | 120 mcd | 630 nm | BR | 10-2H25.2042 | 4 | 0.002 | |
| | | 24 VAC/DC, 15 mA | 350 mcd | 630 nm | BR | 10-2512.1142 | 4 | 0.002 | |
| | | 28 VAC/DC, 13 mA | 300 mcd | 630 nm | BR | 10-2513.1142 | 4 | 0.002 | |
| | | 48 VAC/DC, 8 mA | 200 mcd | 630 nm | BR | 10-2519.1052 | 4 | 0.002 | |
| | | 6 VDC, 17 mA | 400 mcd | 630 nm | WR | 10-2506.1082 | 4 | 0.002 | |
| | white diffuse | 12 VAC/DC, 16 mA | 800 mcd | x=0.31 / y=0.32 | BR | 10-2509.1149 | 1 | 4 | 0.002 |
| | | 130 VAC, 5 mA | 250 mcd | x=0.31 / y=0.32 | BR | 10-2H24.2059 | 1 | 4 | 0.002 |
| | | 130 VDC, 3 mA | 150 mcd | x=0.31 / y=0.32 | BR | 10-2524.3049 | 1 | 4 | 0.002 |
| | | 230 VAC, 3 mA | 150 mcd | x=0.31 / y=0.32 | BR | 10-2H25.2049 | 1 | 4 | 0.002 |
| | | 24 VAC/DC, 15 mA | 750 mcd | x=0.31 / y=0.32 | BR | 10-2512.1149 | 1 | 4 | 0.002 |
| | | 28 VAC/DC, 13 mA | 650 mcd | x=0.31 / y=0.32 | BR | 10-2513.1149 | 1 | 4 | 0.002 |
| 48 VAC/DC, 8 mA | | 400 mcd | x=0.31 / y=0.32 | BR | 10-2519.1059 | 1 | 4 | 0.002 | |
| 6 VDC, 17 mA | | 850 mcd | x=0.31 / y=0.32 | WR | 10-2506.1089 | 1 | 4 | 0.002 | |
| yellow | 12 VAC/DC, 16 mA | 340 mcd | 587 nm | BR | 10-2509.1144 | 4 | 0.002 | | |
| | 130 VAC, 5 mA | 160 mcd | 587 nm | BR | 10-2H24.2054 | 4 | 0.002 | | |
| | 130 VDC, 3 mA | 110 mcd | 587 nm | BR | 10-2524.3044 | 4 | 0.002 | | |
| | 230 VAC, 3 mA | 110 mcd | 587 nm | BR | 10-2H25.2044 | 4 | 0.002 | | |
| | 24 VAC/DC, 15 mA | 300 mcd | 587 nm | BR | 10-2512.1144 | 4 | 0.002 | | |
| | 28 VAC/DC, 13 mA | 270 mcd | 587 nm | BR | 10-2513.1144 | 4 | 0.002 | | |
| | 48 VAC/DC, 8 mA | 180 mcd | 587 nm | BR | 10-2519.1054 | 4 | 0.002 | | |
| | 6 VDC, 17 mA | 340 mcd | 587 nm | WR | 10-2506.1084 | 4 | 0.002 | | |

Electrical and optical data are measured at 25°C.

Luminous intensity data of the LEDs on direct voltage.

The specified 6 VDC, 130 VAC, 130 DC und 230 VAC versions are built with a protection diode.

The specified 12, 24, 28, 48 VAC/DC versions are built with a bridge rectifier.

The specified 130 VAC types are developed to run on a supply voltage of 130 VAC only. An operation at a higher supply voltage using commercial lampholders with integrated resistors, is not approved.


A suitable lamp remover Part No. 700.006.0 (Series 44 Part No. 44-935).

Version: BR = With bridge rectifier, WR = Without rectifier

Component layout from page 10, Technical drawing from page 10

Illumination

Lamp remover for T1 3/4 MG LED


| | For series | Typ-Nr. |  kg |
|--------------------------------|------------------------|--------------------|--|
| Lamp remover for T1 3/4 MG LED | 22, 31, 41, 51, 61, 71 | 61-9740.0 | 0.003 |
| | Swisstac | 300-0002-00 | 0.003 |



CAUTION

A switching process might be released when replacing the LED!

Lamp remover for T5.5 LED


| | For series | Typ-Nr. |  kg |
|---------------------------|------------|---------------|--|
| Lamp remover for T5.5 LED | 01, 14 | 02-906 | 0.002 |



CAUTION

A switching process might be released when replacing the LED!

Lamp remover for T6.8 LED

| | For series | Typ-Nr. |  kg |
|---------------------------|------------|---------------|--|
| Lamp remover for T6.8 LED | 02, 03 | 03-996 | 0.027 |



CAUTION

A switching process might be released when replacing the LED!

Lamp remover for T3 1/4 BA9s LED

| | For series | Typ-Nr. |  kg |
|----------------------------------|------------|------------------|--|
| Lamp remover for T3 1/4 BA9s LED | 04 | 700.006.0 | 0.003 |
| | 44 | 44-935 | 0.037 |



CAUTION

A switching process might be released when replacing the LED!

Technical Data

Electrical characteristics

Voltage tolerance
+10 %

Mechanical characteristics

Standards

Lamp base

| | |
|-----------|-----------------------|
| Base | Standard |
| T1 3/4 MG | DIN EN 60061-1: S5,7s |
| T5.5 | DIN 49601 |
| T6.8 | DIN 49601 |
| BA9s | DIN EN 60061-1: BA9s |

Environmental conditions

Storage temperature
-25 °C ... +80 °C

Service temperature
-20 °C ... +60 °C

Component layout

1 Single-LED T1 3/4 (6mm) MG page 4 | Single-LED T5.5 page 5 | Single-LED T6.8 page 6 | Single-LED T3 1/4 (10x25mm) BA9s page 7

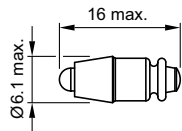
Typical luminous spectrum
for white LED



Colour coordinates $I_F = 20\text{mA}$; $T_A = 25^\circ\text{C}$
 $x = 0.31 \pm 0.06$ $y = 0.32 \pm 0.08$

Technical drawing

1 Single-LED T1 3/4 (6mm) MG page 4



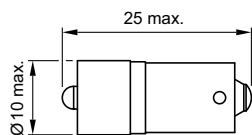
2 Single-LED T5.5 page 5



3 Single-LED T6.8 page 6



4 Single-LED T3 1/4 (10x25mm) BA9s page 7



Index from Typ-Nr.

| Typ-Nr. | Page | Typ-Nr. | Page | Typ-Nr. | Page |
|--------------|------|--------------|------|---------|------|
| 02-906 | 8 | 10-2H25.2044 | 7 | | |
| 03-996 | 8 | 10-2H25.2045 | 7 | | |
| 10-2106.3142 | 5 | 10-2H25.2046 | 7 | | |
| 10-2106.3144 | 5 | 10-2H25.2049 | 7 | | |
| 10-2106.3145 | 5 | 10-2J06.3142 | 4 | | |
| 10-2106.3146 | 5 | 10-2J06.3144 | 4 | | |
| 10-2106.3149 | 5 | 10-2J06.3145 | 4 | | |
| 10-2109.1062 | 5 | 10-2J06.3146 | 4 | | |
| 10-2109.1064 | 5 | 10-2J06.3149 | 4 | | |
| 10-2109.1065 | 5 | 10-2J09.1062 | 4 | | |
| 10-2109.1066 | 5 | 10-2J09.1064 | 4 | | |
| 10-2109.1069 | 5 | 10-2J09.1065 | 4 | | |
| 10-2112.1062 | 5 | 10-2J09.1066 | 4 | | |
| 10-2112.1064 | 5 | 10-2J09.1069 | 4 | | |
| 10-2112.1065 | 5 | 10-2J12.1062 | 4 | | |
| 10-2112.1066 | 5 | 10-2J12.1064 | 4 | | |
| 10-2112.1069 | 5 | 10-2J12.1065 | 4 | | |
| 10-2113.1062 | 5 | 10-2J12.1066 | 4 | | |
| 10-2113.1064 | 5 | 10-2J12.1069 | 4 | | |
| 10-2113.1065 | 5 | 10-2J13.1062 | 4 | | |
| 10-2113.1066 | 5 | 10-2J13.1064 | 4 | | |
| 10-2113.1069 | 5 | 10-2J13.1065 | 4 | | |
| 10-2119.1042 | 5 | 10-2J13.1066 | 4 | | |
| 10-2119.1044 | 5 | 10-2J13.1069 | 4 | | |
| 10-2119.1045 | 5 | 10-2J19.1042 | 4 | | |
| 10-2119.1046 | 5 | 10-2J19.1044 | 4 | | |
| 10-2119.1049 | 5 | 10-2J19.1045 | 4 | | |
| 10-2506.1082 | 7 | 10-2J19.1046 | 4 | | |
| 10-2506.1084 | 7 | 10-2J19.1049 | 4 | | |
| 10-2506.1085 | 7 | 10-2K06.3152 | 6 | | |
| 10-2506.1086 | 7 | 10-2K06.3154 | 6 | | |
| 10-2506.1089 | 7 | 10-2K06.3155 | 6 | | |
| 10-2509.1142 | 7 | 10-2K06.3156 | 6 | | |
| 10-2509.1144 | 7 | 10-2K06.3159 | 6 | | |
| 10-2509.1145 | 7 | 10-2K09.1072 | 6 | | |
| 10-2509.1146 | 7 | 10-2K09.1074 | 6 | | |
| 10-2509.1149 | 7 | 10-2K09.1075 | 6 | | |
| 10-2512.1142 | 7 | 10-2K09.1076 | 6 | | |
| 10-2512.1144 | 7 | 10-2K09.1079 | 6 | | |
| 10-2512.1145 | 7 | 10-2K12.1072 | 6 | | |
| 10-2512.1146 | 7 | 10-2K12.1074 | 6 | | |
| 10-2512.1149 | 7 | 10-2K12.1075 | 6 | | |
| 10-2513.1142 | 7 | 10-2K12.1076 | 6 | | |
| 10-2513.1144 | 7 | 10-2K12.1079 | 6 | | |
| 10-2513.1145 | 7 | 10-2K13.1072 | 6 | | |
| 10-2513.1146 | 7 | 10-2K13.1074 | 6 | | |
| 10-2513.1149 | 7 | 10-2K13.1075 | 6 | | |
| 10-2519.1052 | 7 | 10-2K13.1076 | 6 | | |
| 10-2519.1054 | 7 | 10-2K13.1079 | 6 | | |
| 10-2519.1055 | 7 | 10-2K19.1052 | 6 | | |
| 10-2519.1056 | 7 | 10-2K19.1054 | 6 | | |
| 10-2519.1059 | 7 | 10-2K19.1055 | 6 | | |
| 10-2524.3042 | 7 | 10-2K19.1056 | 6 | | |
| 10-2524.3044 | 7 | 10-2K19.1059 | 6 | | |
| 10-2524.3045 | 7 | 300-0002-00 | 8 | | |
| 10-2524.3046 | 7 | 44-935 | 8 | | |
| 10-2524.3049 | 7 | 61-9740.0 | 8 | | |
| 10-2H24.2052 | 7 | 700.006.0 | 8 | | |
| 10-2H24.2054 | 7 | | | | |
| 10-2H24.2055 | 7 | | | | |
| 10-2H24.2056 | 7 | | | | |
| 10-2H24.2059 | 7 | | | | |
| 10-2H25.2042 | 7 | | | | |

| | |
|----------------|---|
| | EAO AG |
| | Tannwaldstrasse 88 4601 Olten, Switzerland |
| E-mail | info@eao.com |
| Website | www.eao.com |
| | Austria |
| Phone | +49 201 85 87 0 |
| Fax | +49 201 85 87 210 |
| E-mail | sales.ede@eao.com |
| | Belgium |
| Phone | +32 3 777 82 36 |
| Fax | +32 3 777 84 19 |
| E-mail | sales.ebl@eao.com |
| | China |
| Phone | +852 27 86 91 41 |
| Fax | +852 27 86 95 61 |
| E-mail | sales.ehk@eao.com |
| | France |
| Phone | +33 1 64 43 37 37 |
| Fax | +33 1 64 43 37 49 |
| E-mail | sales.esa@eao.com |
| | Germany |
| Phone | +49 201 85 87 0 |
| Fax | +49 201 85 87 210 |
| E-mail | sales.ede@eao.com |
| | Italy |
| Phone | +39 035 481 0189 |
| Fax | +39 035 481 3786 |
| E-mail | sales.eit@eao.com |
| | Japan |
| Phone | +81 3 5444 5411 |
| Fax | +81 3 5444 0345 |
| E-mail | sales.esj@eao.com |
| | Netherlands |
| Phone | +31 78 653 17 00 |
| Fax | +31 78 653 17 99 |
| E-mail | sales.enl@eao.com |
| | Sweden |
| Phone | +46 8 683 86 60 |
| Fax | +46 8 724 29 12 |
| E-mail | sales.esw@eao.com |
| | Switzerland |
| Phone | +41 62 388 95 00 |
| Fax | +41 62 388 95 55 |
| E-mail | sales.ech@eao.com |
| | United Kingdom |
| Phone | +44 1444 236 000 |
| Fax | +44 1444 236 641 |
| E-mail | sales.euk@eao.com |
| | USA |
| Phone | +1 203 877 4577 |
| Fax | +1 203 877 3694 |
| E-mail | sales.eus@eao.com |
| | Other Countries |
| Phone | +41 62 286 92 10 |
| Fax | +41 62 296 21 62 |
| E-mail | info@eao.com |

Компания «Life Electronics» занимается поставками электронных компонентов импортного и отечественного производства от производителей и со складов крупных дистрибьюторов Европы, Америки и Азии.

С конца 2013 года компания активно расширяет линейку поставок компонентов по направлению коаксиальный кабель, кварцевые генераторы и конденсаторы (керамические, пленочные, электролитические), за счёт заключения дистрибьюторских договоров

Мы предлагаем:

- Конкурентоспособные цены и скидки постоянным клиентам.
- Специальные условия для постоянных клиентов.
- Подбор аналогов.
- Поставку компонентов в любых объемах, удовлетворяющих вашим потребностям.
- Приемлемые сроки поставки, возможна ускоренная поставка.
- Доставку товара в любую точку России и стран СНГ.
- Комплексную поставку.
- Работу по проектам и поставку образцов.
- Формирование склада под заказчика.
- Сертификаты соответствия на поставляемую продукцию (по желанию клиента).
- Тестирование поставляемой продукции.
- Поставку компонентов, требующих военную и космическую приемку.
- Входной контроль качества.
- Наличие сертификата ISO.

В составе нашей компании организован Конструкторский отдел, призванный помогать разработчикам, и инженерам.

Конструкторский отдел помогает осуществить:

- Регистрацию проекта у производителя компонентов.
- Техническую поддержку проекта.
- Защиту от снятия компонента с производства.
- Оценку стоимости проекта по компонентам.
- Изготовление тестовой платы монтаж и пусконаладочные работы.



Тел: +7 (812) 336 43 04 (многоканальный)

Email: org@lifeelectronics.ru