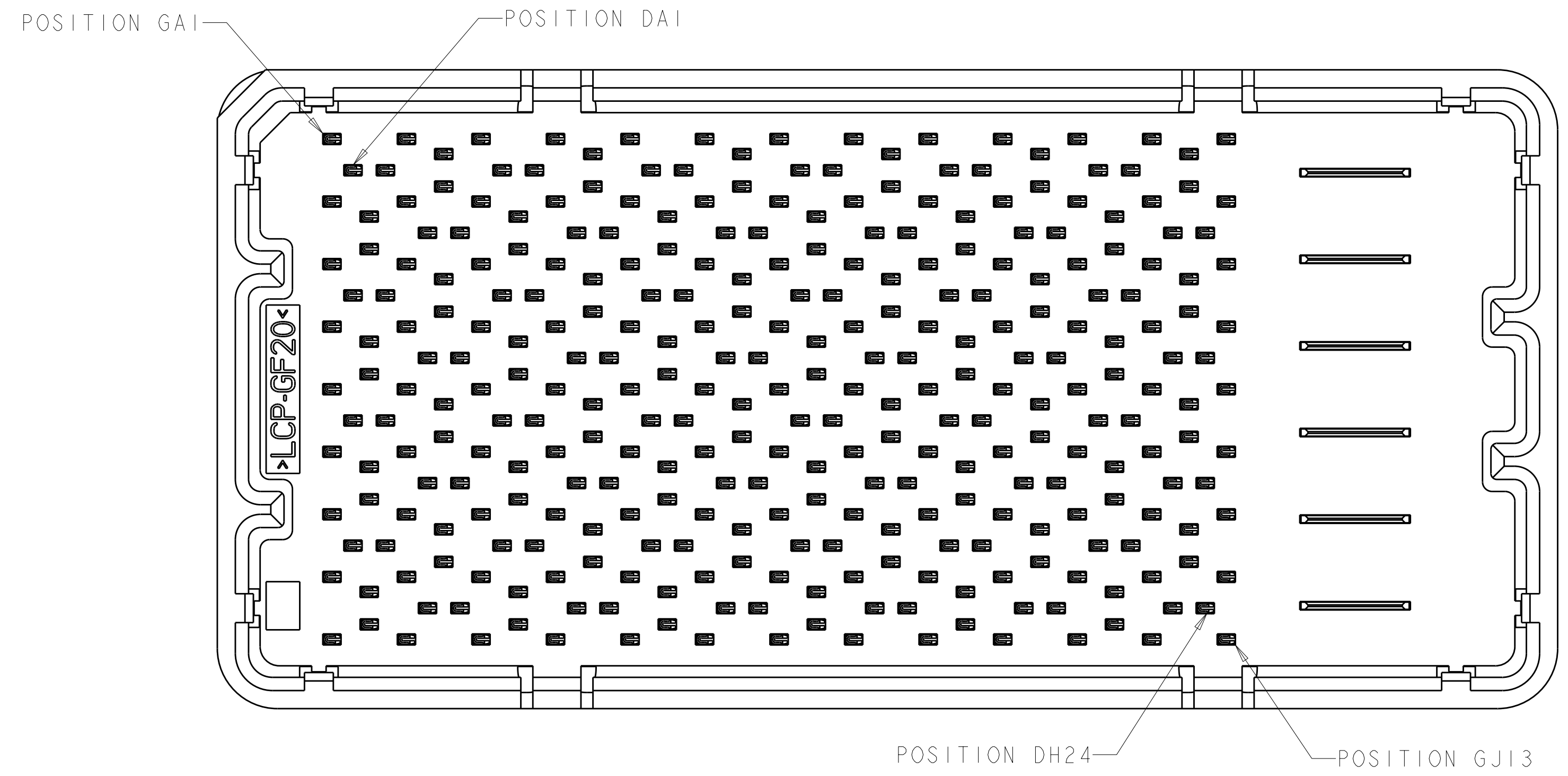
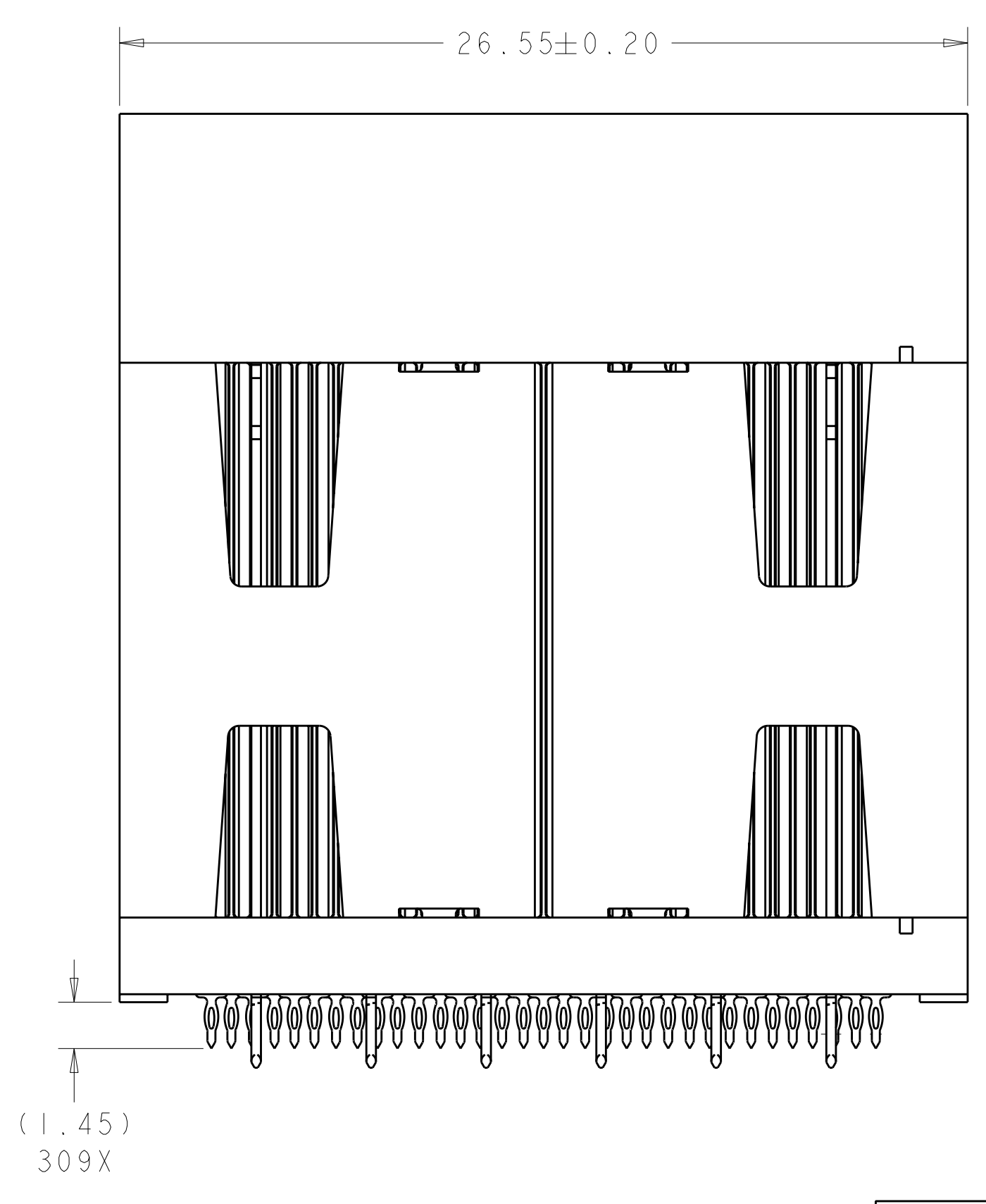
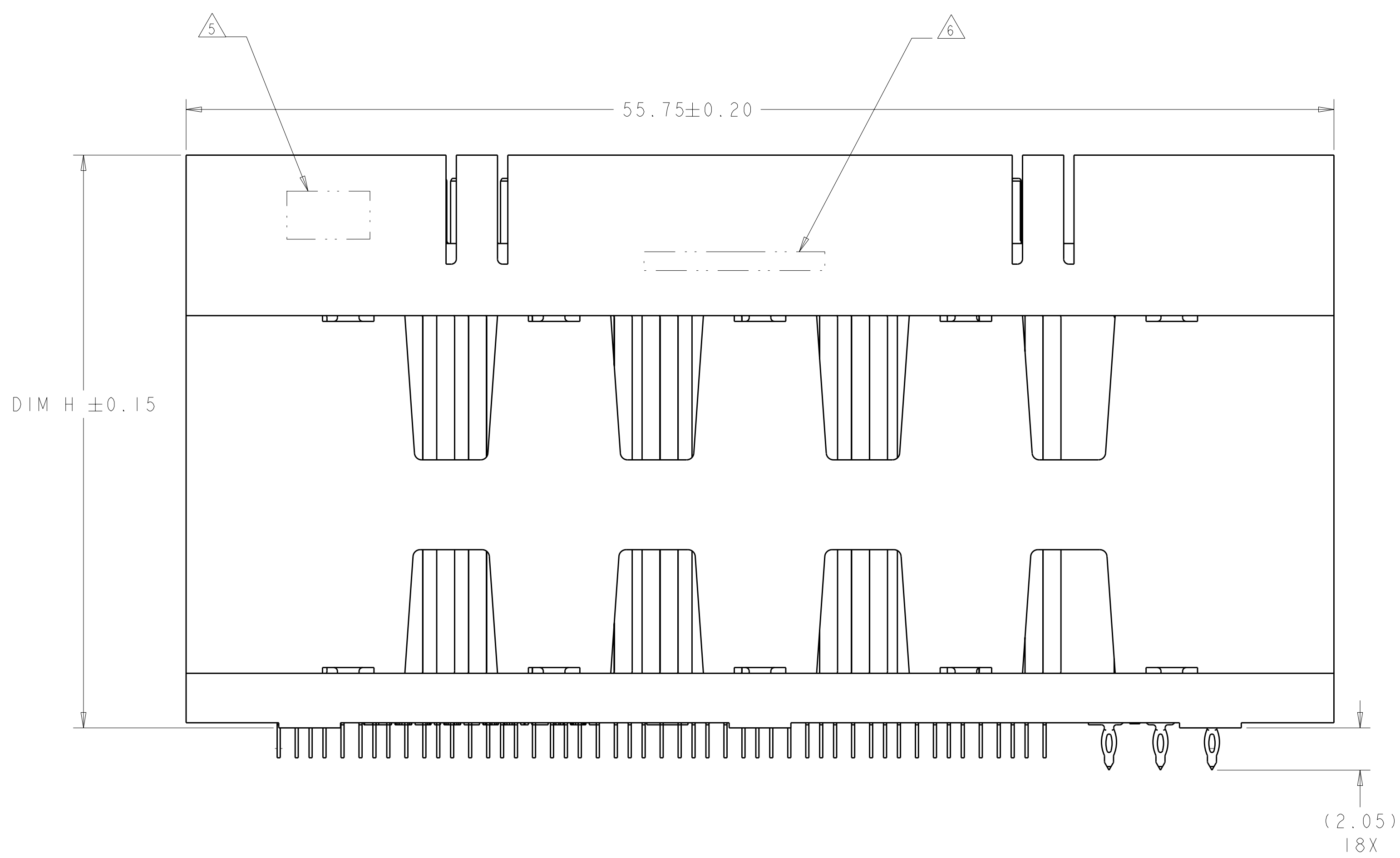


LOC	DIST	REV	DATE	BY	CHK	APPV
GP	00					
		4	08DEC2010	WS	MH	
		5	10MAY2012	REH	DT	



1. MATERIAL:  
 BASE HOUSING, UPPER HOUSING, ORGANIZER,  
 AND SPACER: THERMOPLASTIC, FLAMMABILITY  
 RATING UL94-V0  
 CONTACT: COPPER ALLOY
2. CONFORMS TO THE REQUIREMENTS OF TE PRODUCT  
 SPECIFICATION, 108-2375; BASED ON TELCORDIA  
 GR-1217-CORE FOR SYSTEM QUALITY LEVEL III,  
 APPLICATIONS IN CONTROLLED ENVIRONMENTS  
 (CENTRAL OFFICE).  
 SEE TE PRODUCT SPECIFICATION 108-2375 FOR  
 TEST SEQUENCES.
3. ROWS GA THRU GJ (SHOWN DARKENED) ARE TYPICALLY  
 USED AS GROUNDS.
4. SPECIFIED POSITIONAL TOLERANCE DEFINES HOLE TO  
 HOLE LOCATION WITHIN HOLE PATTERN. POSITIONAL  
 TOLERANCE OF HOLE PATTERN TO FIDUCIAL MARKS  
 OR PCB DATUMS SHALL BE DEFINED BY CUSTOMER.
5. AREA RESERVED FOR TE CONNECTIVITY LOGO.
6. AREA RESERVED FOR PART NUMBER (X-XXXXXX-X)  
 AND DATE CODE (YYWW).
7. USE CENTERLINES INDICATED ON PCB HOLE PATTERN  
 TO ESTABLISH ALIGNMENT BETWEEN HEADER AND  
 RECEPTACLE BOARDS.
8. PLATED THROUGH HOLE REQUIREMENTS - SIGNAL:  
 HOLE SIZE PRIOR TO PLATING =  $\varnothing 0.420 \pm 0.013$   
 COPPER PLATING THICKNESS =  $0.038 \pm 0.013$   
 CALCULATED FINISHED HOLE SIZE =  $\varnothing 0.344 \pm 0.039$   
 THESE DIMENSIONS APPLY TO THE TOP 1.25mm OF  
 THE PCB THICKNESS FROM THE CONNECTOR MOUNTING  
 SIDE.
9. PLATED THROUGH HOLE REQUIREMENTS - POWER:  
 HOLE SIZE PRIOR TO PLATING =  $\varnothing 0.700 \pm 0.025$   
 COPPER PLATING THICKNESS =  $0.038 \pm 0.013$   
 CALCULATED FINISHED HOLE SIZE =  $\varnothing 0.624 \pm 0.051$   
 THESE DIMENSIONS APPLY TO THE TOP 1.50mm OF  
 THE PCB THICKNESS FROM THE CONNECTOR MOUNTING  
 SIDE.
10. CONTACT SALES FOR AVAILABILITY OF THIS STACK  
 HEIGHT.



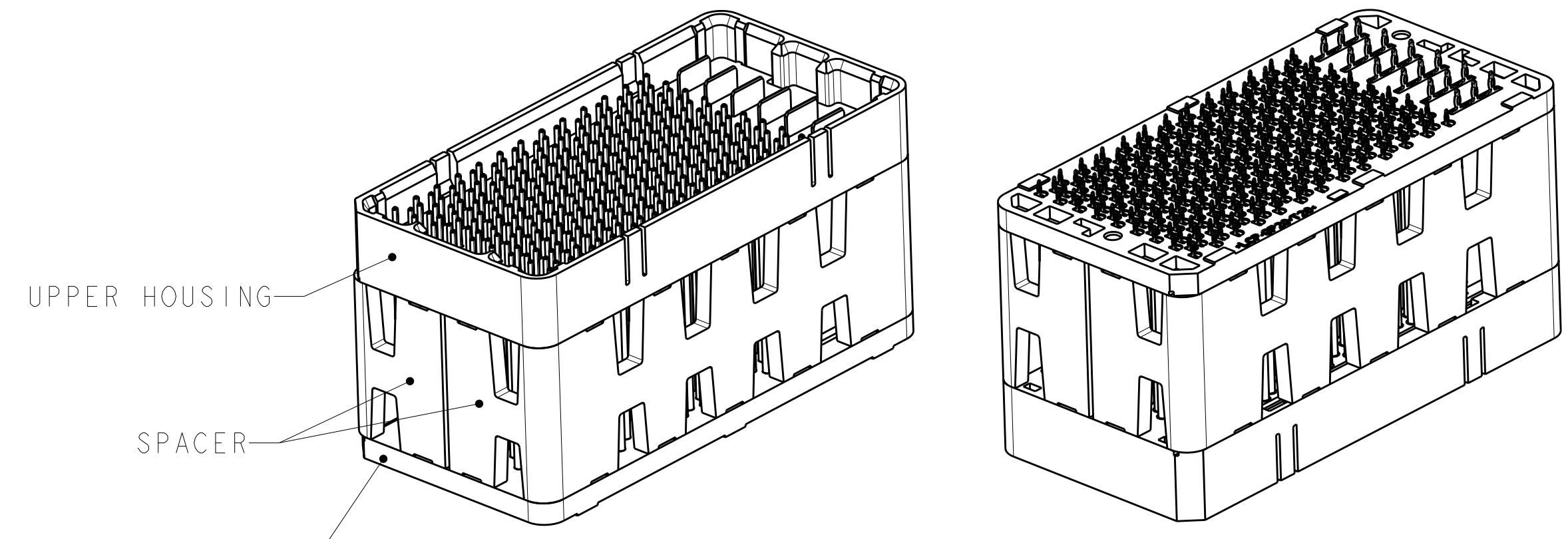
**SIZE 3 HOUSING \***  
**96 DIFFERENTIAL PAIRS**  
**309 TOTAL SIGNAL CONTACTS**  
**6 POWER CONTACTS**

\* SIZE 1 AND SIZE 2 ARE ALSO AVAILABLE

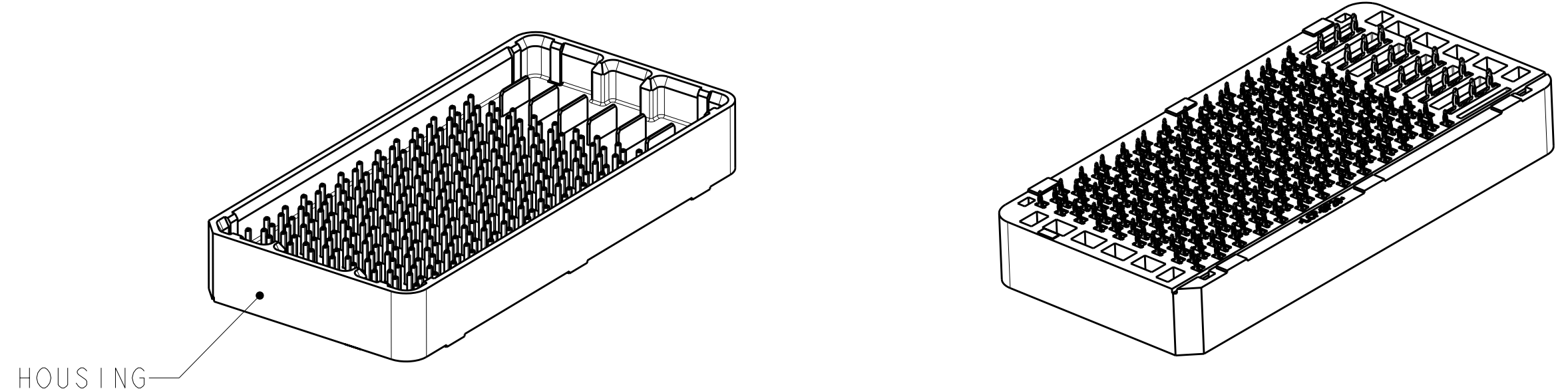
THIS PRODUCT HAS NOT  
 COMPLETED VALIDATION AND  
 QUALIFICATION TESTING

THIS DRAWING IS A CONTROLLED DOCUMENT.		OWN: D. RINGLER 08JUN2009	TE Connectivity
DIMENSIONS: mm		CHK: D. TROUT 08JUN2009	
TOLERANCES UNLESS OTHERWISE SPECIFIED:		APPV: J. FEDDER 08JUN2009	NAME: HEADER ASSEMBLY
0 PLC ±	1 PLC ±0.13	PRODUCT SPEC: 108-2375	96/309/6P
2 PLC ±0.13	3 PLC ±0.013	APPLICATION SPEC: 114-13249	STRADA MESA MEZZANINE CONNECTOR
4 PLC ±	ANGLES ±1	FINISH: -	SIZE: CAGE CODE: DRAWING NO: RESTRICTED TO
MATERIAL: -	FINISH: -	WEIGHT: -	A100779C=2110480
CUSTOMER DRAWING			SCALE: 6:1 SHEET 1 OF 4 REV 5

LOC	DIST	REV	DATE	BY	APPD
GP	00				
REVISIONS					



ISOMETRIC VIEW  
TYPICAL CONFIGURATION FOR 14mm THRU 42mm  
28mm SHOWN  
SCALE 2:1



ISOMETRIC VIEWS  
TYPICAL CONFIGURATION FOR 8mm THRU 13mm  
8mm SHOWN  
SCALE 2:1

TOOLED	DIM H	STACK HEIGHT	CONTACT TAIL PLATING	PART NUMBER
△10	41.8	42mm	MATTE Sn	9-2110480-2
△10	40.8	41mm	MATTE Sn	9-2110480-1
YES	39.8	40mm	MATTE Sn	9-2110480-0
△10	38.8	39mm	MATTE Sn	8-2110480-9
△10	37.8	38mm	MATTE Sn	8-2110480-8
△10	36.8	37mm	MATTE Sn	8-2110480-7
△10	35.8	36mm	MATTE Sn	8-2110480-6
△10	34.8	35mm	MATTE Sn	8-2110480-5
△10	33.8	34mm	MATTE Sn	8-2110480-4
△10	32.8	33mm	MATTE Sn	8-2110480-3
△10	31.8	32mm	MATTE Sn	8-2110480-2
△10	30.8	31mm	MATTE Sn	8-2110480-1
△10	29.8	30mm	MATTE Sn	8-2110480-0
△10	28.8	29mm	MATTE Sn	7-2110480-9
YES	27.8	28mm	MATTE Sn	7-2110480-8
△10	26.8	27mm	MATTE Sn	7-2110480-7
△10	25.8	26mm	MATTE Sn	7-2110480-6
△10	24.8	25mm	MATTE Sn	7-2110480-5
△10	23.8	24mm	MATTE Sn	7-2110480-4
YES	22.8	23mm	MATTE Sn	7-2110480-3
△10	21.8	22mm	MATTE Sn	7-2110480-2
△10	20.8	21mm	MATTE Sn	7-2110480-1
△10	19.8	20mm	MATTE Sn	7-2110480-0
△10	18.8	19mm	MATTE Sn	6-2110480-9
△10	17.8	18mm	MATTE Sn	6-2110480-8
△10	16.8	17mm	MATTE Sn	6-2110480-7
△10	15.8	16mm	MATTE Sn	6-2110480-6
△10	14.8	15mm	MATTE Sn	6-2110480-5
△10	13.8	14mm	MATTE Sn	6-2110480-4
△10	12.8	13mm	MATTE Sn	6-2110480-3
△10	11.8	12mm	MATTE Sn	6-2110480-2
△10	10.8	11mm	MATTE Sn	6-2110480-1
YES	9.8	10mm	MATTE Sn	6-2110480-0
△10	8.8	9mm	MATTE Sn	5-2110480-9
△10	7.8	8mm	MATTE Sn	5-2110480-8

TOOLED	DIM H	STACK HEIGHT	CONTACT TAIL PLATING	PART NUMBER
△10	41.8	42mm	Sn/Pb	4-2110480-2
△10	40.8	41mm	Sn/Pb	4-2110480-1
YES	39.8	40mm	Sn/Pb	4-2110480-0
△10	38.8	39mm	Sn/Pb	3-2110480-9
△10	37.8	38mm	Sn/Pb	3-2110480-8
△10	36.8	37mm	Sn/Pb	3-2110480-7
△10	35.8	36mm	Sn/Pb	3-2110480-6
△10	34.8	35mm	Sn/Pb	3-2110480-5
△10	33.8	34mm	Sn/Pb	3-2110480-4
△10	32.8	33mm	Sn/Pb	3-2110480-3
△10	31.8	32mm	Sn/Pb	3-2110480-2
△10	30.8	31mm	Sn/Pb	3-2110480-1
△10	29.8	30mm	Sn/Pb	3-2110480-0
△10	28.8	29mm	Sn/Pb	2-2110480-9
YES	27.8	28mm	Sn/Pb	2-2110480-8
△10	26.8	27mm	Sn/Pb	2-2110480-7
△10	25.8	26mm	Sn/Pb	2-2110480-6
△10	24.8	25mm	Sn/Pb	2-2110480-5
△10	23.8	24mm	Sn/Pb	2-2110480-4
YES	22.8	23mm	Sn/Pb	2-2110480-3
△10	21.8	22mm	Sn/Pb	2-2110480-2
△10	20.8	21mm	Sn/Pb	2-2110480-1
△10	19.8	20mm	Sn/Pb	2-2110480-0
△10	18.8	19mm	Sn/Pb	1-2110480-9
△10	17.8	18mm	Sn/Pb	1-2110480-8
△10	16.8	17mm	Sn/Pb	1-2110480-7
△10	15.8	16mm	Sn/Pb	1-2110480-6
△10	14.8	15mm	Sn/Pb	1-2110480-5
△10	13.8	14mm	Sn/Pb	1-2110480-4
△10	12.8	13mm	Sn/Pb	1-2110480-3
△10	11.8	12mm	Sn/Pb	1-2110480-2
△10	10.8	11mm	Sn/Pb	1-2110480-1
YES	9.8	10mm	Sn/Pb	1-2110480-0
△10	8.8	9mm	Sn/Pb	2110480-9
△10	7.8	8mm	Sn/Pb	2110480-8

THIS DRAWING IS A CONTROLLED DOCUMENT.

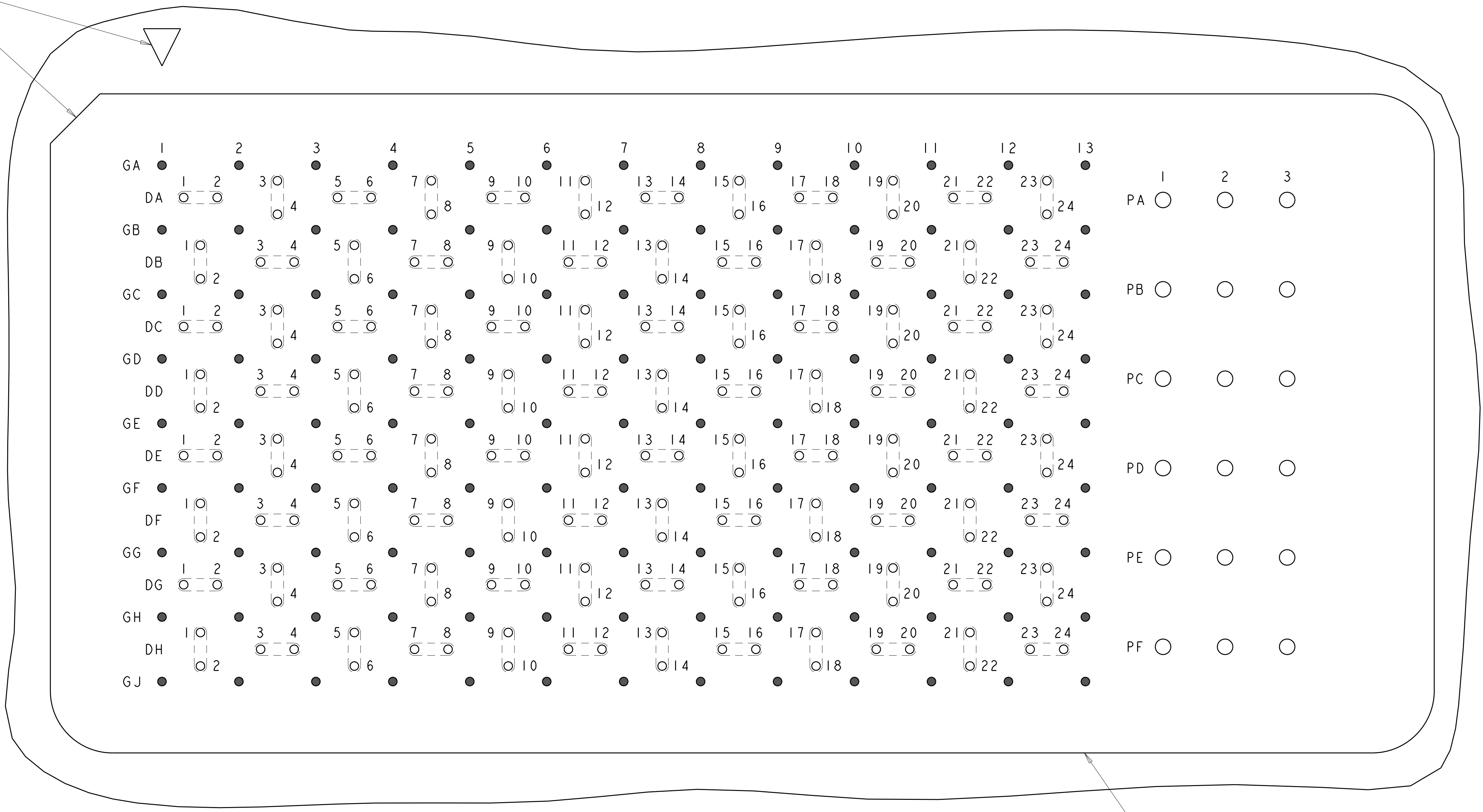
DIMENSIONS: mm  
 TOLERANCES UNLESS OTHERWISE SPECIFIED:  
 9 PLC ±0.13  
 5 PLC ±0.013  
 4 PLC ±0.013  
 ANGLES ±1°  
 FINISH:

DWG: D. RINGLER 08JUN2009  
 CHK: D. TROUT 08JUN2009  
 APVD: J. FEDDER 08JUN2009  
 NAME: J. FEDDER  
 PRODUCT SPEC: 108-2375  
 APPLICATION SPEC: 114-13249  
 WEIGHT: -  
 CUSTOMER DRAWING

**STE** TE Connectivity  
 HEADER ASSEMBLY  
 96/309/6P  
 STRADA MESA MEZZANINE CONNECTOR  
 SIZE: CAGE CODE: DRAWING NO: A100779C=2110480  
 SCALE: 6:1 SHEET 2 OF 4 REV 5


LOC	DIST	REVISIONS			
GP	00	REV	DATE	BY	APPD
		1	SEE SHEET 1		

A1 CORNER INDICATORS.



MATED CONNECTOR OUTLINE  
 SEE SHEET 4 FOR LOCATION TO HOLES

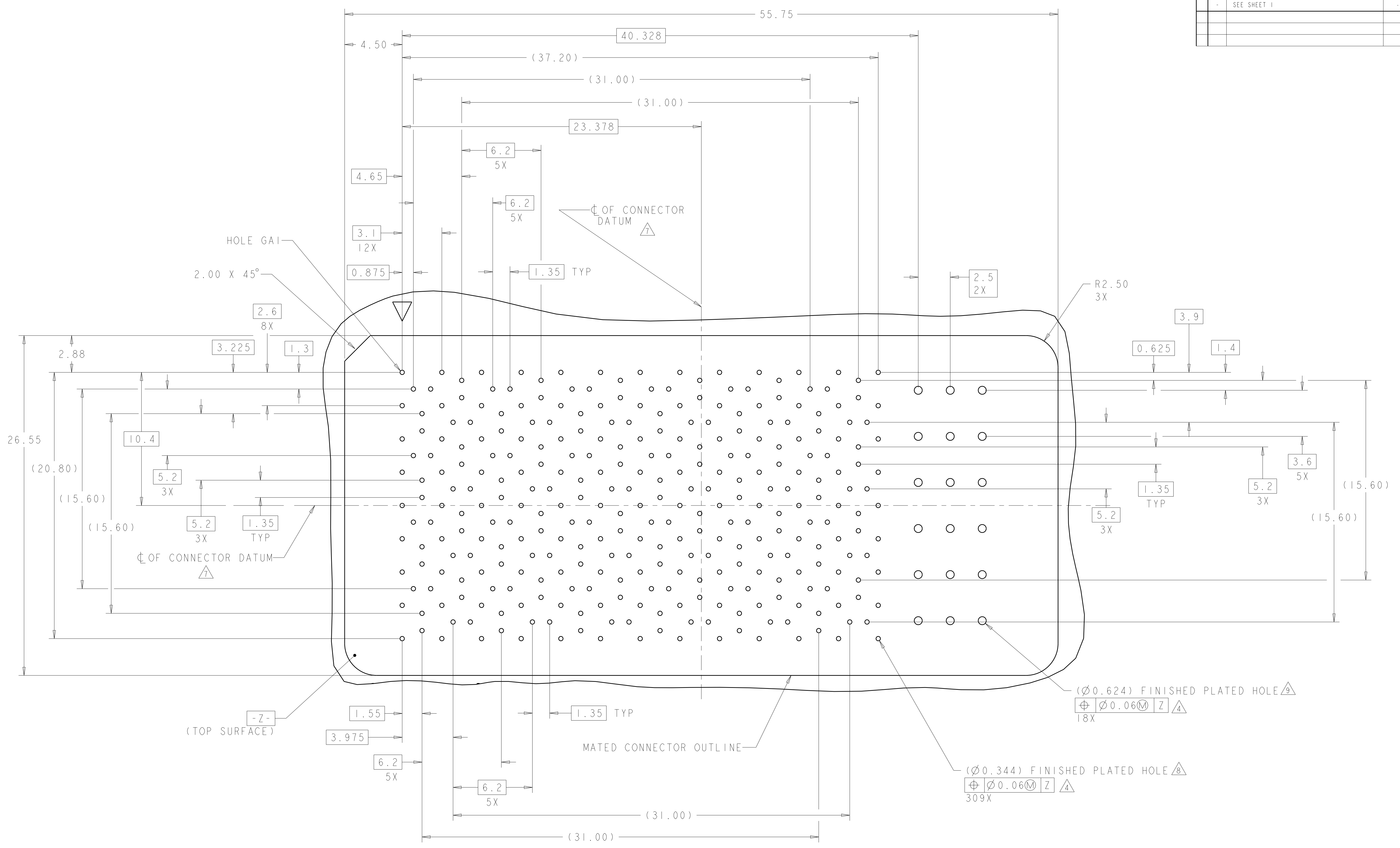
**PCB LAYOUT AND PIN IDENTIFICATION**   
 SHOWN FROM CONNECTOR SIDE  
 SCALE 10:1

THIS DRAWING IS A CONTROLLED DOCUMENT.		OWN D. RINGLER	08JUN2009	 TE Connectivity
DIMENSIONS: mm		CHK D. TROUT	08JUN2009	
TOLERANCES UNLESS OTHERWISE SPECIFIED: 9 PLC ± 2 PLC ±0.13 5 PLC ±0.013 4 PLC ± ANGLES ±1		APVD J. FEDDER	08JUN2009	NAME HEADER ASSEMBLY 96/309/6P
MATERIAL		PRODUCT SPEC 108-2375		RESTRICTED TO
FINISH		APPLICATION SPEC 114-13249		SIZE CAGE CODE DRAWING NO A100779C=2110480
		WEIGHT		SCALE 6:1 SHEET 3 OF 4 REV 5
		CUSTOMER DRAWING		

LOC	DIST	REV	DATE	BY	APPD
GP	00				

REVISIONS		DATE	BY	APPD
1	SEE SHEET 1			



**PCB HOLE PATTERN**  
 SHOWN FROM CONNECTOR SIDE  
 SCALE 7:1

THIS DRAWING IS A CONTROLLED DOCUMENT.		DWN D. RINGLER 08JUN2009	 TE Connectivity
DIMENSIONS: mm		CHK D. TROUT 08JUN2009	
TOLERANCES UNLESS OTHERWISE SPECIFIED:		APVD J. FEDDER 08JUN2009	NAME HEADER ASSEMBLY 96/309/6P
0 PLC ± 1 PLC ±0.13 2 PLC ±0.13 3 PLC ±0.013 4 PLC ± ANGLES ±1		PRODUCT SPEC 108-2375	RESTRICTED TO
MATERIAL: -		APPLICATION SPEC 114-13249	SIZE CAGE CODE DRAWING NO A100779C=2110480
FINISH: -		WEIGHT: -	SCALE 6:1 SHEET 4 OF 4 REV 5
CUSTOMER DRAWING			

Компания «Life Electronics» занимается поставками электронных компонентов импортного и отечественного производства от производителей и со складов крупных дистрибьюторов Европы, Америки и Азии.

С конца 2013 года компания активно расширяет линейку поставок компонентов по направлению коаксиальный кабель, кварцевые генераторы и конденсаторы (керамические, пленочные, электролитические), за счёт заключения дистрибьюторских договоров

Мы предлагаем:

- Конкурентоспособные цены и скидки постоянным клиентам.
- Специальные условия для постоянных клиентов.
- Подбор аналогов.
- Поставку компонентов в любых объемах, удовлетворяющих вашим потребностям.
- Приемлемые сроки поставки, возможна ускоренная поставка.
- Доставку товара в любую точку России и стран СНГ.
- Комплексную поставку.
- Работу по проектам и поставку образцов.
- Формирование склада под заказчика.
- Сертификаты соответствия на поставляемую продукцию (по желанию клиента).
- Тестирование поставляемой продукции.
- Поставку компонентов, требующих военную и космическую приемку.
- Входной контроль качества.
- Наличие сертификата ISO.

В составе нашей компании организован Конструкторский отдел, призванный помогать разработчикам, и инженерам.

Конструкторский отдел помогает осуществить:

- Регистрацию проекта у производителя компонентов.
- Техническую поддержку проекта.
- Защиту от снятия компонента с производства.
- Оценку стоимости проекта по компонентам.
- Изготовление тестовой платы монтаж и пусконаладочные работы.



Тел: +7 (812) 336 43 04 (многоканальный)

Email: [org@lifeelectronics.ru](mailto:org@lifeelectronics.ru)