





Messrs.					
Product Specification	Model	NMTC-S20200XRGHS-10B	Rev. No.	Issued Date.	Page.
			A	Sept. 06, 17	1 / 28

LIQUID CRYSTAL DISPLAY MODULE
MODEL: NMTC-S20200XRGHS-10B
Customer's No.: None.

Acceptance

Microtips Technology Inc.
 12F. No.31 Lane 169, Kang Ning St., His-Chih,
 Taipei Hsien, Taiwan, R.O.C.
 FAX: 886-2-26958625

Approved and Checked by

Approved by	Checked by		Made by
			



Microtips Technology Inc.

Messrs.					
Product Specification	Model	NMTC-S20200XRGHS-10B	Rev. No.	Issued Date.	Page.
			<i>A</i>	<i>Sept. 06, 17</i>	<i>3 / 28</i>

CONTENTS

ITEM	PAGE
FEATURES	4.
GENERAL SPECIFICATION	5.
ABSOLUTE MAXIMUM RATING	5.
ELECTRICAL CHARACTERISTICS	6.
OPTICAL CHARACTERISTICS	6.
MECHANICAL SPECIFICATION	9.
INTERFACE PIN ASSIGNMENT	10.
BLOCK DIAGRAM	11.
POWER SUPPLY DIAGRAM	11.
TIMING CHARACTERISTICS	12.
READ / WRITE TIMING CHART	13.
COMMANDS	14.
COMMANDS DESCRIPTION	15.
DD RAM ADDRESSING	19.
CG RAM MAPPING	21.
CHARACTER FONT TABLE	22.
RELIABILITY TEST	23.
APPEARANCE CHECK	23.
HANDLING PRECAUTIONS	24.
LCD PRODUCT QUALITY STANDARD	25.
WARRANTY	27.
DIMENSIONAL OUTLINES	28.



Messrs.					
Product Specification	Model	NMTC-S20200XRGHS-10B	Rev. No.	Issued Date.	Page.
			A	Sept. 06, 17	4 / 28

FEATURES of
LIQUID CRYSTAL DISPLAY MODULE
MODEL NO.: NMTC-S20200XRGHS-10B

The Microtips Customized LCD module, model: NMTC-S20200XRGHS-10B is compliant with RoHS

Character Type Dot Matrix LCD Module

Easy interface of 4 – bit or 8 – bit

Display character pattern: 5 × 7 font with cursor (208 kinds)

The special character pattern can be programmable by Character Generator RAM directly.

A customer character pattern can be programmable by mask option.

Automatically power on reset.

Internal Memory:

- Character Generator ROM (CGROM): 10,080 bits (204 characters × 5 × 8 dot)
- Character Generator RAM (CGRAM): 64 × 8 bits (8 characters × 5 × 8 dot)

Low power operation:

- Power supply voltage range: 2.7 ~ 5.5 V (V_{DD})
- LCD drive voltage range: 3.0 ~ 13.0 V ($V_{DD} - V_o$)

Low power consumption

CMOS process

Duty – cycle: 1/16

View Direction	<input checked="" type="checkbox"/> 6 O'clock		<input type="checkbox"/> 12 O'clock		
LCD Type	<input type="checkbox"/> FSTN Positive		<input type="checkbox"/> FSTN Negative		
	<input checked="" type="checkbox"/> STN Gray	<input type="checkbox"/> STN Yellow Green		<input type="checkbox"/> STN Blue	
Rear Polarizer	<input checked="" type="checkbox"/> Reflective		<input type="checkbox"/> Transflective		<input type="checkbox"/> Transmissive
Backlight Type	<input type="checkbox"/> LED	<input type="checkbox"/> Internal Power		<input type="checkbox"/> EL	
		<input type="checkbox"/> External Power		<input type="checkbox"/> CCFL	
Backlight Color	<input type="checkbox"/> White		<input type="checkbox"/> Amber		<input type="checkbox"/> Blue Green
	<input type="checkbox"/> Yellow Green		<input type="checkbox"/> Other		
Temperature Range	<input type="checkbox"/> Normal		<input checked="" type="checkbox"/> Wide		<input type="checkbox"/> Super Wide
CCFL Inverter	<input type="checkbox"/> Build – in		<input checked="" type="checkbox"/> Not Build – in		
EL Driver IC	<input type="checkbox"/> Build – in		<input checked="" type="checkbox"/> Not Build – in		
Touch Screen	<input type="checkbox"/> With		<input checked="" type="checkbox"/> Without		

TO BE VERY CAREFUL !

The LCD driver ICs are made of CMOS process, which is very easy to be damaged by static charge, make sure the user is grounded when handling the LCM.



Messrs.					
Product Specification	Model	NMTC-S20200XRGHS-10B	Rev. No.	Issued Date.	Page.
			A	Sept. 06, 17	5 / 28

GENERAL SPECIFICATION

Item	Content
Display Resolution	20 Characters × 2 lines
Dimensional Outline (mm)	116.0 (W) × 37.0 (H) × 10.0 max (D)
Display mode	Reflective / Positive Type
Circuit	IC, ST 7066
Interface	Data (DB0~DB7), RS, R / W, E

ABSOLUTE MAXIMUM RATING

(1) Electrical Absolute Ratings

Item	Symbol	Min.	Max.	Unit	Note
Power Supply for Logic	$V_{DD} - V_{SS}$	-0.3	7.0	Volt	--
Power Supply for LCD	$V_{DD} - V_O$	0	15.0	Volt	--
Input Voltage	V_{IN}	-0.3	$V_{DD} + 0.3$	Volt	--
Supply Current for LED backlight	I_{LED}	--	420	mA	--

Note: Operator should be grounded during handling LCM.

(2) Environmental Absolute Maximum Ratings

Item	Normal Temperature				Wide Temperature			
	Operating		Storage		Operating		Storage	
	Max,	Min.	Max,	Min.	Max,	Min.	Max,	Min.
Ambient Temperature	0°C	+50°C	-20°C	+70°C	-20°C	+70°C	-30°C	+80°C
Humidity (without condensation)	Note 2, 4		Note 3, 5		Note 4, 5		Note 4, 6	

Note 2: $T_a \leq 50^\circ\text{C}$: 80% RH max

$T_a > 50^\circ\text{C}$: Absolute humidity must be lower than the humidity of 85% RH at 50°C

Note 3: T_a at -20°C will be < 48hrs at 70°C will be < 120hrs when humidity is higher than 70%.

Note 4: Background color changes slightly depending on ambient temperature. This phenomenon is reversible.

Note 5: $T_a \leq 70^\circ\text{C}$: 75RH max

$T_a > 70^\circ\text{C}$: absolute humidity must be lower than the humidity of 75% RH at 70°C

Note 6: T_a at -30°C will be < 48hrs, at 80°C will be < 120hrs when humidity is higher than 70%.



Messrs.					
Product Specification	Model	NMTC-S20200XRGHS-10B	Rev. No.	Issued Date.	Page.
			A	Sept. 06, 17	6 / 28

ELECTRICAL CHARACTERISTICS

Item	Symbol	Condition	Min.	Typ.	Max.	Unit
Power Supply for Logic	$V_{DD} - V_{SS}$	--	2.7	4.5	5.5	Volt
Input Voltage	V_{IL}	L level	V_{SS}	$0.2 V_{DD}$	--	Volt
	V_{IH}	H level	$0.8 V_{DD}$	V_{DD}	--	Volt
LCM Recommend LCD Module Driving Voltage Note 1	$V_{DD} = 5.0V$ $V_{DD} - V_o = 4.0V$	$T_a = 0^\circ C$	4.129	4.429	4.729	Volt
		$T_a = 25^\circ C$	4.0	4.30	4.6	
		$T_a = 50^\circ C$	3.871	4.171	4.471	
Power Supply Current for LCM	I_{DD} (B/L OFF)	$V_{DD} = 5.0V$ $V_{DD} - V_o = 4.0V$ $T_a = 25^\circ C$	--	1.5	2.0	mA
	I_{LED}		130	210	315	

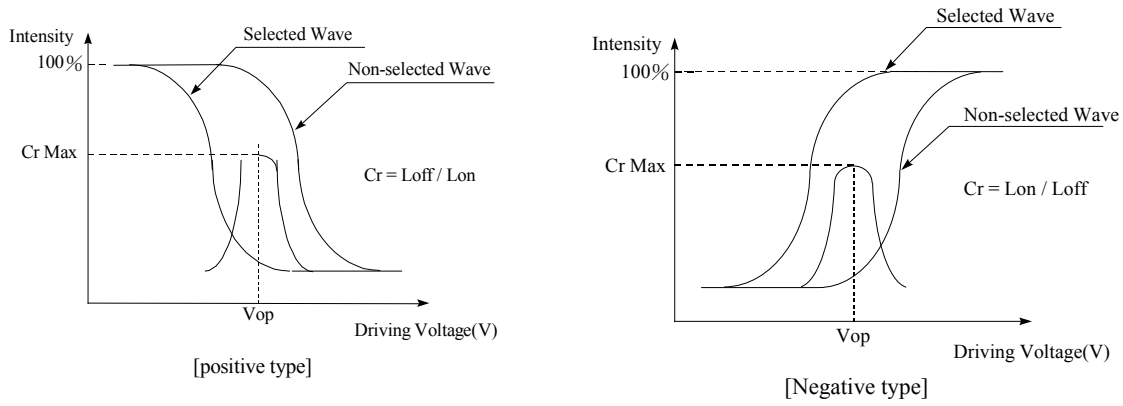
OPTICAL CHARACTERISTICS

Item	Symbol	Condition	Min.	Typ	Max.	Unit	note
Viewing Angle Range	Φ_f (12 o'clock)	When $Cr \geq 2$	--	40	--	Degree	Note 2
	Φ_b (6 o'clock)		--	50	--		
	Φ_l (9 o'clock)		--	40	--		
	Φ_r (3 o'clock)		--	40	--		
Rise Time	T_r	$V_{DD} - V_o = 4.0V$ $T_a = 25^\circ C$	--	65	250	mS	Note 4
Fall Time	T_f		--	165	250		
Contrast	Cr		--	4.5	--		

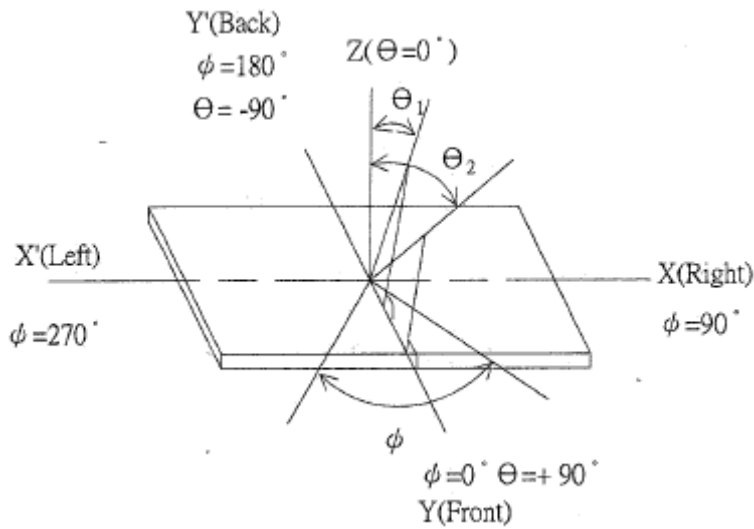


Messrs.					
Product Specification	Model	NMTC-S20200XRGHS-10B	Rev. No.	Issued Date.	Page.
			A	Sept. 06, 17	7 / 28

[Note 1] Definition of Operation Voltage (Vop)

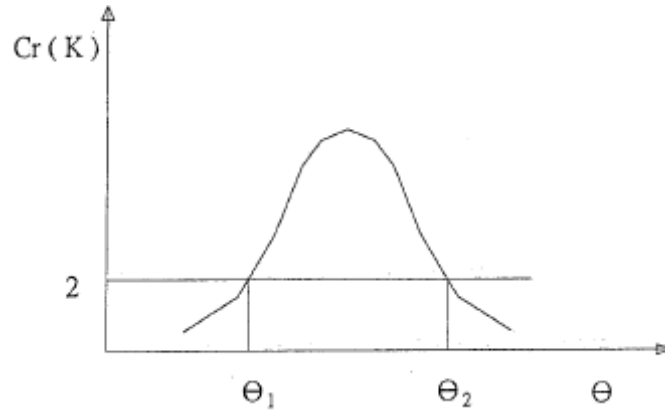


[Note 2] Definition of Angle θ & ϕ

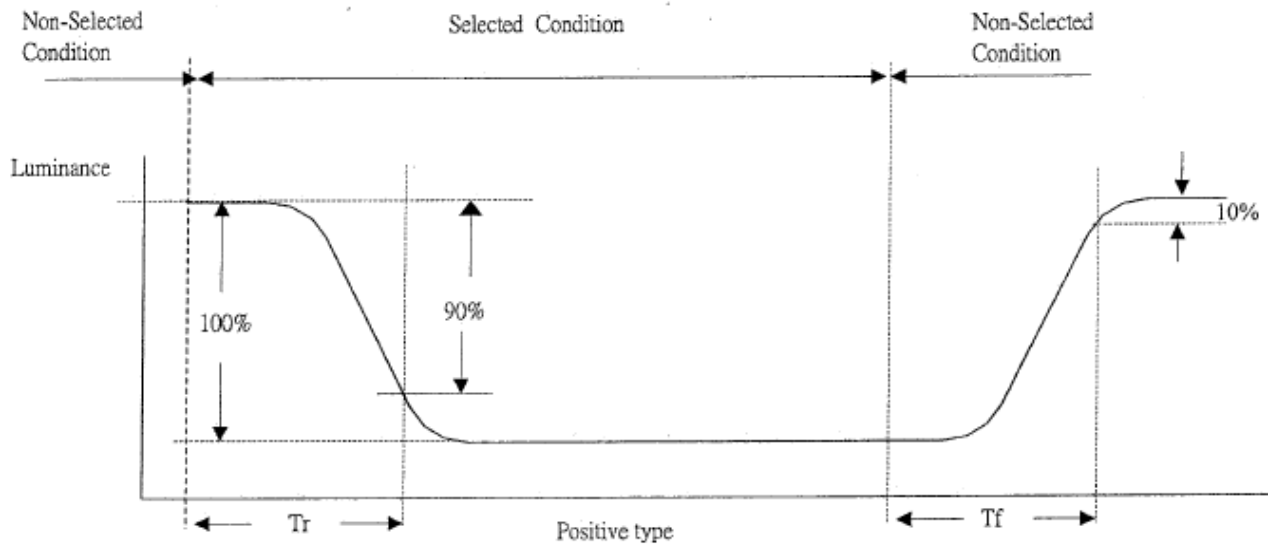


Messrs.					
Product Specification	Model	NMTC-S20200XRGHS-10B	Rev. No.	Issued Date.	Page.
			A	Sept. 06, 17	8 / 28

[Note 3] Definition of Viewing Angle θ_1 & θ_2



[Note 4] Definition of Response Time (T_r , T_f)



Electro – Optical Characteristics are measured by



Messrs.					
Product Specification	Model	NMTC-S20200XRGHS-10B	Rev. No.	Issued Date.	Page.
			A	Sept. 06, 17	9 / 28

MECHANICAL SPECIFICATION

Product No.		NMTC-S20200XRGHS-10B
Module Size		116.0 (W) mm × 37.0 (H) mm × 10.0 (D) mm Max
Display Format		20 characters × 2 lines
Character Size		3.2 mm × 5.55 mm
Character Pitch		3.7 mm × 5.95 mm
Dot Size		0.60 (W) mm × 0.65 (H) mm
Dot Pitch		0.65 (W) mm × 0.70 (H) mm
Duty Ratio		1/16 Duty
Character Font Table		<input checked="" type="checkbox"/> English <input type="checkbox"/> European <input type="checkbox"/> Other_____
LCD Display Mode	STN	<input type="checkbox"/> Gray Mode <input checked="" type="checkbox"/> Yellow Mode <input type="checkbox"/> Blue Mode
	FSTN	<input type="checkbox"/> Black & White (Normally White / Positive Image) <input type="checkbox"/> Black & White (Normally White / Negative Image)
	Rear Polarizer	<input checked="" type="checkbox"/> Reflective <input type="checkbox"/> Transflective <input type="checkbox"/> Transmissive
Viewing Direction		<input checked="" type="checkbox"/> 6 O'clock <input type="checkbox"/> 12 O'clock <input type="checkbox"/> 3 O'clock <input type="checkbox"/> 9 O'clock
Backlight		<input checked="" type="checkbox"/> Without <input type="checkbox"/> CCFL <input type="checkbox"/> EL <input type="checkbox"/> LED
Controller		ST 7066
DC/DC Converter		Without
CCFL Inverter		Without
EL Driver		Without



Messrs.					
Product Specification	Model	NMTC-S20200XRGHS-10B	Rev. No.	Issued Date.	Page.
			A	Sept. 06, 17	12 / 28

TIMING CHARACTERISTICS

AC Characteristics ($V_{SS} = 0V$, $V_{DD} = 4.5V$ to $5.0V$, $T_a = 0$ to $50^{\circ}C$)

Mode	Characteristic	Symbol	Min.	Typ.	Max.	Unit
Write Mode	E Cycle Time	t_C	500	--	--	ns
	E Rise / Fall Time	t_R, t_F	--	--	20	ns
	E Pulse Width (High, Low)	t_W	230	--	--	ns
	R/W And RS Setup Time	t_{SU1}	40	--	--	ns
	R/W And RS Hold Time	t_{H1}	10	--	--	ns
	Data Setup Time	t_{SU2}	80	--	--	ns
	Data Hold Time	t_{H2}	10	--	--	ns
Read Mode	E Cycle Time	t_C	500	--	--	ns
	E Rise / Fall Time	t_R, t_F	--	--	20	ns
	E Pulse Width (High, Low)	t_W	230	--	--	ns
	R/W And RS Setup Time	t_{SU}	40	--	--	ns
	R/W And RS Hold Time	t_H	10	--	--	ns
	Data Setup Time	t_D	--	--	120	ns
	Data Hold Time	t_{DH}	5	--	--	ns

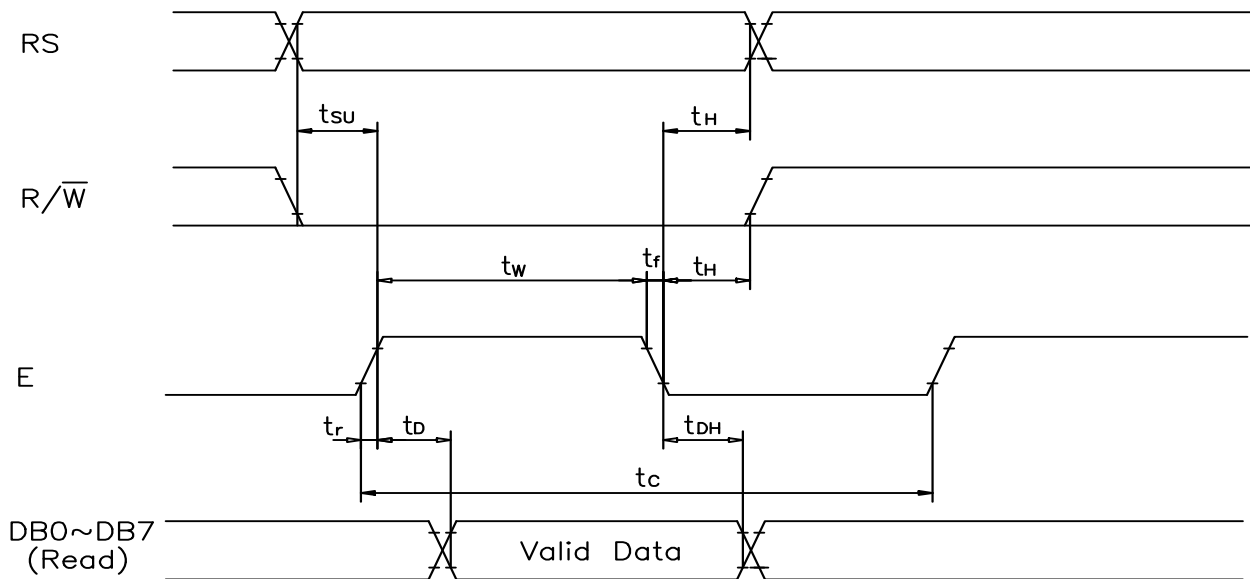
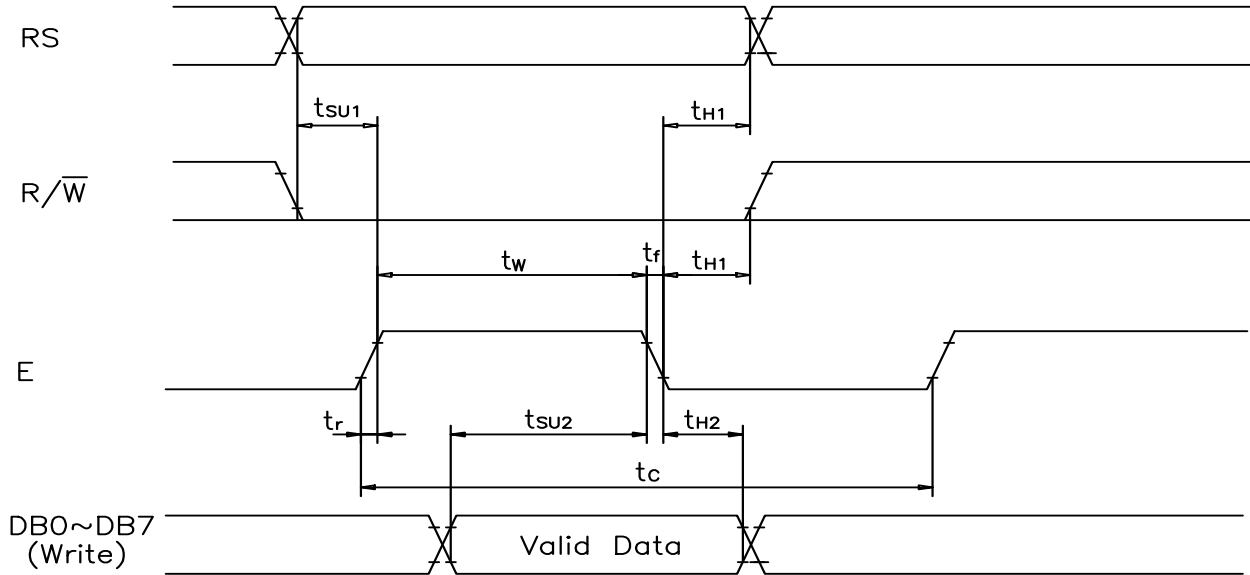
AC Characteristics ($V_{SS} = 0V$, $V_{DD} = 2.7V$ to $4.5V$, $T_a = 0$ to $50^{\circ}C$)

Mode	Characteristic	Symbol	Min.	Typ.	Max.	Unit
Write Mode	E Cycle Time	t_C	1000	--	--	ns
	E Rise / Fall Time	t_R, t_F	--	--	25	ns
	E Pulse Width (High, Low)	t_W	450	--	--	ns
	R/W And RS Setup Time	t_{SU1}	60	--	--	ns
	R/W And RS Hold Time	t_{H1}	20	--	--	ns
	Data Setup Time	t_{SU2}	195	--	--	ns
	Data Hold Time	t_{H2}	10	--	--	ns
Read Mode	E Cycle Time	t_C	1000	--	--	ns
	E Rise / Fall Time	t_R, t_F	--	--	25	ns
	E Pulse Width (High, Low)	t_W	450	--	--	ns
	R/W And RS Setup Time	t_{SU}	60	--	--	ns
	R/W And RS Hold Time	t_H	20	--	--	ns
	Data Setup Time	t_D	--	--	360	ns
	Data Hold Time	t_{DH}	5	--	--	ns



Messrs.					
Product Specification	Model	NMTC-S20200XRGHS-10B	Rev. No.	Issued Date.	Page.
			A	Sept. 06, 17	13 / 28

READ/WRITE TIMING CHART



Messrs.					
Product Specification	Model	NMTC-S20200XRGHS-10B	Rev. No.	Issued Date.	Page.
			A	Sept. 06, 17	14 / 28

COMMANDS

Instruction	Instruction Code										Description	Execution time (f _{osc} is 270kHz)	
	RS	R/W	DB7	DB6	DB5	DB4	DB3	DB2	DB1	DB0			
Clear Display	0	0	0	0	0	0	0	0	0	0	1	Write "20H" to DDRAM. and set DDRAM address to "00H" from AC	1.53mS
Return Home	0	0	0	0	0	0	0	0	0	1	*	Set DDRAM address to "00H" from AC and return cursor to its original position if shifted. The contents of DDRAM are not changed.	1.53mS
Entry Mode	0	0	0	0	0	0	0	0	1	I/D	SH	Assign cursor moving direction and make shift of entire display enable.	39 μS
Display ON/OFF	0	0	0	0	0	0	0	1	D	C	B	Set display (D), cursor (C), and blinking of cursor (B) on / off control bit.	39 μS
Cursor or Display Shift	0	0	0	0	0	1	S/C	R/L	*	*	*	Set cursor moving and display shift control bit, and the direction, without changing DDRAM data.	39 μS
Function Set	0	0	0	0	1	DL	N	F	*	*	*	Set interface data length (DL: 4 – bit / 8 – bit), numbers of display line (N: 1 – line / 2 – line), display font type(F: 5 X 8 dots / 5 X 11 dots)	39 μS
Set CG RAM Address	0	0	0	1	AC5	AC4	AC3	AC2	AC1	AC0	AC0	Set CGRAM address in address counter.	39 μS
Set DD RAM Address	0	0	1	AC6	AC5	AC4	AC3	AC2	AC1	AC0	AC0	Set DDRAM address in address counter.	39 μS
Read Busy Flag and Address	0	1	BF	AC6	AC5	AC4	AC3	AC2	AC1	AC0	AC0	Whether during internal operation or not can be known by reading BF. The contents of address counter can also be read.	0 μS
Write Data to RAM	1	0	D7	D6	D5	D4	D3	D2	D1	D0	D0	Write data into internal RAM (DDRAM / CGRAM).	43 μS
Read Data from RAM	1	1	D7	D6	D5	D4	D3	D2	D1	D0	D0	Read data from internal RAM (DDRAM / CGRAM).	43 μS

* means don't care



Messrs.					
Product Specification	Model	NMTC-S20200XRGHS-10B	Rev. No.	Issued Date.	Page.
			A	Sept. 06, 17	15 / 28

COMMANDS DESCRIPTION

Clear Display

RS	R/W	DB7	DB6	DB5	DB4	DB3	DB2	DB1	DB0
0	0	0	0	0	0	0	0	0	1

Clear all the display data by writing "20H" (space code) to all DDRAM address, and set DDRAM address to "00H" into AC (address counter). Return cursor to the original status. namely, bring the cursor to the left edge on first line of the display. Make entry mode increment (I/D = "1").

Return Home

RS	R/W	DB7	DB6	DB5	DB4	DB3	DB2	DB1	DB0
0	0	0	0	0	0	0	0	1	*

Return Home is cursor return home instruction. Set DDRAM address to "00H" into the address counter.

Return cursor to its original site and return display to its original status, if shifted. Content of DDRAM is not changed.

Entry Mode Set

RS	R/W	DB7	DB6	DB5	DB4	DB3	DB2	DB1	DB0
0	0	0	0	0	0	0	1	I/D	SH

Set the moving direction of cursor and display.

I/D: Increment / decrement of DDRAM address (cursor or blink)

When I/D = "High", cursor / blink moves to right and DDRAM address is increased by 1.

When I/D = "Low", cursor / blink moves to left and DDRAM address is decreased by 1.

* CGRAM operates the same as DDRAM, when read from or write to CGRAM.

SH: Shift of entire display

When DDRAM read (CGRAM read/write) operation or SH = "Low", shift of entire display is not performed.

If SH = "High" and DDRAM write operation, shift of entire display is performed according to I/D value (I/D = "1" , shift left, I/D = "0": shift right).



Messrs.					
Product Specification	Model	NMTC-S20200XRGHS-10B	Rev. No.	Issued Date.	Page.
			A	Sept. 06, 17	16 / 28

Display ON/OFF Control

RS	R/W	DB7	DB6	DB5	DB4	DB3	DB2	DB1	DB0
0	0	0	0	0	0	1	D	C	B

Control display / cursor / blink ON/OFF 1 bit register.

D: Display ON/OFF control bit

When D = "High", entire display is turned on.

When D = "Low", display is turned off, but display data is remained in DDRAM.

C: Cursor ON/OFF control bit

When C = "High", cursor is turned on.

When C = "Low", cursor is disappeared in current display, but I/D register remains its data.

B: Cursor Blink ON/OFF control bit

When B = "High", cursor blink is on, that performs alternate between all the high data and display character at the cursor position.

When B = "Low", blink is off.

Cursor or Display Shift

RS	R/W	DB7	DB6	DB5	DB4	DB3	DB2	DB1	DB0
0	0	0	0	0	1	S/C	R/L	*	*

Without writing or reading of display data, shift right / left cursor position or display.

This instruction is used to correct or search display data. (Refer to Table 4)

During 2 – line mode display, cursor moves to the 2nd line after 40th digit of 1st line.

Note that display shift is performed simultaneously in all the line.

When displayed data is shifted repeatedly, each line shifted individually.

When display shift is performed, the contents of address counter are not changed.

S/C	R/L	Operation
0	0	Shift cursor to the left, AC is decreased by 1.
0	1	Shift cursor to the right, AC is increased by 1.
1	0	Shift all of the display to the left, cursor moves according to the display.
1	1	Shift all of the display to the right, cursor moves according to the display.



Messrs.					
Product Specification	Model	NMTC-S20200XRGHS-10B	Rev. No.	Issued Date.	Page.
			A	Sept. 06, 17	17 / 28

Function Set

RS	R/W	DB7	DB6	DB5	DB4	DB3	DB2	DB1	DB0
00	0	0	0	1	DL	N	F	*	*

DL: Interface data length control bit

When DL = "High", it means 8 – bit bus mode with MPU.

When DL = "Low", it means 4 – bit bus mode with MPU. So to speak, DL is a signal to select 8 – bit or 4 – bit bus mode. When 4 – bit bus mode, it needs to transfer 4 – bit data by two times.

N: Display line number control bit

When N = "Low", it means 1 – line display mode.

When N = "High", 2 – line display mode is set.

F: Display font type control bit

When F = "Low", it means 5 X 8 dots format display mode

When F = "High", 5 x11 dots format display mode.

Set CG RAM Address

RS	R/W	DB7	DB6	DB5	DB4	DB3	DB2	DB1	DB0
0	0	0	1	AC5	AC4	AC3	AC2	AC1	AC0

Set CGRAM address to AC.

This instruction makes CGRAM data available from MPU.

Set DD RAM Address

RS	R/W	DB7	DB6	DB5	DB4	DB3	DB2	DB1	DB0
0	0	1	AC6	AC5	AC4	AC3	AC2	AC1	AC0

Set DDRAM address to AC.

This instruction makes DDRAM data available from MPU.

When 1 – line display mode (N = 0), DDRAM address is from "00H" to "4FH".

In 2 – line display mode (N = 1), DDRAM address in the 1st line is from "00H" to "27H", and DDRAM address in the 2nd line is from "40H" to "67H".



Messrs.					
Product Specification	Model	NMTC-S20200XRGHS-10B	Rev. No.	Issued Date.	Page.
			A	Sept. 06, 17	18 / 28

Read Busy Flag and Address

RS	R/W	DB7	DB6	DB5	DB4	DB3	DB2	DB1	DB0
0	1	BF	AC6	AC5	AC4	AC3	AC2	AC1	AC0

This instruction shows whether ST 7066 is in internal operation or not. If the resultant BF is High, it means the internal operation is in progress and you have to wait until BF to be Low, and then the next instruction can be performed. In this instruction you can read also the value of address counter.

Write Data to RAM

RS	R/W	DB7	DB6	DB5	DB4	DB3	DB2	DB1	DB0
1	0	D7	D6	D5	D4	D3	D2	D1	D0

Write binary 8 – bit data to DDRAM / CGRAM.

The selection of RAM from DDRAM, CGRAM, is set by the previous address set instruction: DDRAM address set, CGRAM address set. RAM set instruction can also determine the AC direction to

RAM. After write operation, the address is automatically increased / decreased by 1, according to the entry mode.

Read Data to RAM

RS	R/W	DB7	DB6	DB5	DB4	DB3	DB2	DB1	DB0
1	0	D7	D6	D5	D4	D3	D2	D1	D0

Read binary 8 – bit data from DDRAM / CGRAM.

The selection of RAM is set by the previous address set instruction. If address set instruction of RAM is not performed before this instruction, the data that read first is invalid, because the direction of

AC is not determined. If you read RAM data several times without RAM address set instruction before read operation, you can get correct RAM data from the second, but the first data would be incorrect, because there is no time margin to transfer RAM data.

In case of DDRAM read operation, cursor shift instruction plays the same role as DDRAM address set instruction : it also transfers RAM data to output data register. After read operation address counter is automatically increased/decreased by 1 according to the entry mode. After CGRAM read operation, display shift may not be executed correctly.

NOTE: In case of RAM write operation, after this AC is increased / decreased by 1 like read operation. In this time, AC indicates the next address position, but you can read only the previous data by read instruction.



Messrs.					
Product Specification	Model	NMTC-S20200XRGHS-10B	Rev. No.	Issued Date.	Page.
			A	Sept. 06, 17	19 / 28

DD RAM ADDRESSING

For 16 × 1 or 8 × 1 Display

Character	1	2	3	4	5	6	7	8	9	10	11	12	13	14	15	16
DD RAM Address	00	01	02	03	04	05	06	07	40	41	42	43	44	45	46	47

For 16 × 2 or 8 × 2 Display

Character	1	2	3	4	5	6	7	8	9	10	11	12	13	14	15	16
DD RAM Address	00	01	02	03	04	05	06	07	08	09	0A	0B	0C	0D	0E	0F
	40	41	42	43	44	45	46	47	48	49	4A	4B	4C	4D	4E	4F

For 16 × 4 Display

Character	1	2	3	4	5	6	7	8	9	10	11	12	13	14	15	16
DD RAM Address	00	01	02	03	04	05	06	07	08	09	0A	0B	0C	0D	0E	0F
	40	41	42	43	44	45	46	47	48	49	4A	4B	4C	4D	4E	4F
	10	11	12	13	14	15	16	17	18	19	1A	1B	1C	1D	1E	1F
	50	51	52	53	54	55	56	57	58	59	5A	5B	5C	5D	5E	5F

For 20 × 2 Display

Character	1	2	3	4	5	6	7	8	9	10	17	18	19	20
DD RAM Address	00	01	02	03	04	05	06	07	08	09	10	11	12	13
	40	41	42	43	44	45	46	47	48	49	50	51	52	53



Messrs.					
Product Specification	Model	NMTC-S20200XRGHS-10B	Rev. No.	Issued Date.	Page.
			A	Sept. 06, 17	20 / 28

For 20 × 4 Display

Character	1	2	3	4	5	6	7	8	9	10	17	18	19	20
DD RAM	00	01	02	03	04	05	06	07	08	09	10	11	12	13
Address	40	41	42	43	44	45	46	47	48	49	50	51	52	53
	14	15	16	17	18	19	1A	1B	1C	1D	24	25	26	27
	54	55	56	57	58	59	5A	5B	5C	5D	64	65	66	67

For 40 × 2 Display

Character	1	2	3	4	5	6	7	8	9	10	37	38	39	40
DD RAM	00	01	02	03	04	05	06	07	08	09	24	25	26	27
Address	40	41	42	43	44	45	46	47	48	49	64	65	66	67

For 40 × 4 Display

Character	E	1	2	3	4	5	6	7	8	9	10	37	38	39	40
DD RAM	E1	00	01	02	03	04	05	06	07	08	09	24	25	26	27
		40	41	42	43	44	45	46	47	48	49	64	65	66	67
Address	E2	00	01	02	03	04	05	06	07	08	09	24	25	26	27
		40	41	42	43	44	45	46	47	48	49	64	65	66	67



Messrs.					
Product Specification	Model	NMTC-S20200XRGHS-10B	Rev. No.	Issued Date.	Page.
			A	Sept. 06, 17	21 / 28

CG RAM MAPPING

Character Code (DD RAM data)								CG RAM Address								Character Patterns (CG RAM data)																																																
7	6	5	4	3	2	1	0	5	4	3	2	1	0	7	6	5	4	3	2	1	0																																											
High				Low				High				Low				High				Low																																												
0 0 0 0 * 0 0 0								0 0 0				0 0 0				* * *				<table border="1"> <tr><td>0</td><td>1</td><td>1</td><td>0</td><td>0</td></tr> <tr><td>1</td><td>0</td><td>0</td><td>1</td><td>0</td></tr> <tr><td>0</td><td>0</td><td>1</td><td>0</td><td>0</td></tr> <tr><td>0</td><td>1</td><td>0</td><td>0</td><td>0</td></tr> <tr><td>1</td><td>1</td><td>1</td><td>1</td><td>0</td></tr> <tr><td>0</td><td>0</td><td>0</td><td>0</td><td>0</td></tr> <tr><td>0</td><td>0</td><td>0</td><td>0</td><td>0</td></tr> <tr><td>0</td><td>0</td><td>0</td><td>0</td><td>0</td></tr> </table>				0	1	1	0	0	1	0	0	1	0	0	0	1	0	0	0	1	0	0	0	1	1	1	1	0	0	0	0	0	0	0	0	0	0	0	0	0	0	0	0	←Character Pattern
0	1	1	0	0																																																												
1	0	0	1	0																																																												
0	0	1	0	0																																																												
0	1	0	0	0																																																												
1	1	1	1	0																																																												
0	0	0	0	0																																																												
0	0	0	0	0																																																												
0	0	0	0	0																																																												
0 0 0 0 * 0 0 1								0 0 1				0 0 0				* * *				<table border="1"> <tr><td>1</td><td>1</td><td>1</td><td>1</td><td>1</td></tr> <tr><td>1</td><td>0</td><td>0</td><td>0</td><td>1</td></tr> <tr><td>1</td><td>0</td><td>1</td><td>0</td><td>1</td></tr> <tr><td>1</td><td>0</td><td>1</td><td>1</td><td>1</td></tr> <tr><td>1</td><td>0</td><td>1</td><td>0</td><td>1</td></tr> <tr><td>1</td><td>0</td><td>0</td><td>0</td><td>1</td></tr> <tr><td>1</td><td>1</td><td>1</td><td>1</td><td>1</td></tr> <tr><td>0</td><td>0</td><td>0</td><td>0</td><td>0</td></tr> </table>				1	1	1	1	1	1	0	0	0	1	1	0	1	0	1	1	0	1	1	1	1	0	1	0	1	1	0	0	0	1	1	1	1	1	1	0	0	0	0	0	←Character Pattern
1	1	1	1	1																																																												
1	0	0	0	1																																																												
1	0	1	0	1																																																												
1	0	1	1	1																																																												
1	0	1	0	1																																																												
1	0	0	0	1																																																												
1	1	1	1	1																																																												
0	0	0	0	0																																																												
⋮								⋮				⋮				⋮																																																
0 0 0 0 * 1 1 1								1 1 1				0 0 0				* * *				<table border="1"> <tr><td>1</td><td>1</td><td>1</td><td>1</td><td>1</td></tr> <tr><td>1</td><td>0</td><td>0</td><td>0</td><td>1</td></tr> <tr><td>1</td><td>1</td><td>1</td><td>0</td><td>1</td></tr> <tr><td>1</td><td>0</td><td>0</td><td>0</td><td>1</td></tr> <tr><td>1</td><td>0</td><td>1</td><td>1</td><td>1</td></tr> <tr><td>1</td><td>0</td><td>0</td><td>0</td><td>1</td></tr> <tr><td>1</td><td>1</td><td>1</td><td>1</td><td>1</td></tr> <tr><td>0</td><td>0</td><td>0</td><td>0</td><td>0</td></tr> </table>				1	1	1	1	1	1	0	0	0	1	1	1	1	0	1	1	0	0	0	1	1	0	1	1	1	1	0	0	0	1	1	1	1	1	1	0	0	0	0	0	←Character Pattern
1	1	1	1	1																																																												
1	0	0	0	1																																																												
1	1	1	0	1																																																												
1	0	0	0	1																																																												
1	0	1	1	1																																																												
1	0	0	0	1																																																												
1	1	1	1	1																																																												
0	0	0	0	0																																																												
																				←Cursor																																												



Messrs.					
Product Specification	Model	NMTC-S20200XRGHS-10B	Rev. No.	Issued Date.	Page.
			A	Sept. 06, 17	22 / 28

CHARACTER FONT TABLE

Upper 4 bit Lower 4 bit	LLLL	LLLH	LLHL	LLHH	LHLL	LHLH	LHHL	LHHH	HLLL	HLLH	HLHL	HLHH	HHLL	HHLH	HHHL	HHHH
1111L				0	1	2	3	4	5	6	7	8	9	A	B	C
1111H			!	1	2	3	4	5	6	7	8	9	A	B	C	D
111HL			"	2	3	4	5	6	7	8	9	A	B	C	D	E
111HH			#	3	4	5	6	7	8	9	A	B	C	D	E	F
111LH			\$	4	5	6	7	8	9	A	B	C	D	E	F	G
111LH			%	5	6	7	8	9	A	B	C	D	E	F	G	H
111HL			&	6	7	8	9	A	B	C	D	E	F	G	H	I
111HH			'	7	8	9	A	B	C	D	E	F	G	H	I	J
H111L			(8	9	A	B	C	D	E	F	G	H	I	J	K
H111H)	9	A	B	C	D	E	F	G	H	I	J	K	L
H11HL			*	A	B	C	D	E	F	G	H	I	J	K	L	M
H11HH			+	B	C	D	E	F	G	H	I	J	K	L	M	N
H11LH			,	C	D	E	F	G	H	I	J	K	L	M	N	O
H11LH			-	D	E	F	G	H	I	J	K	L	M	N	O	P
H11HL			.	E	F	G	H	I	J	K	L	M	N	O	P	Q
H11HH			/	F	G	H	I	J	K	L	M	N	O	P	Q	R



Messrs.					
Product Specification	Model	NMTC-S20200XRGHS-10B	Rev. No.	Issued Date.	Page.
			A	Sept. 06, 17	23 / 28

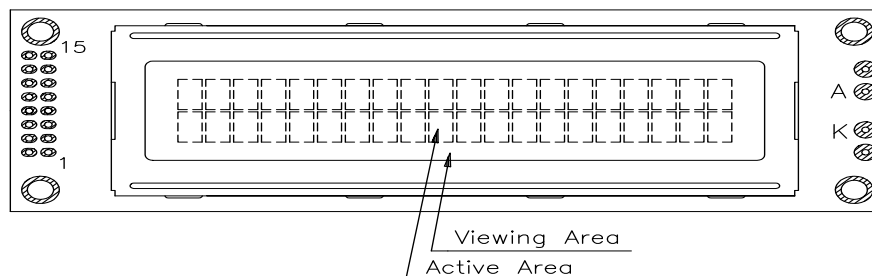
RELIABILITY TEST

No	Item	Conditions		Note
1.	High Temp. Operation	70°C	240 HR	--
2.	High Temp. Storage	80°C	240 HR	--
3.	Low Temp. Operation	-20°C	240 HR	--
4.	Low Temp. Storage	-30°C	240 HR	--
5.	High Temp. / Humid Storage	40°C 90% RH	240 HR	--
6.	Thermal Shock	0°C, 30min +50°C, 30min	10 cycles	--
7.	Vibration Test (IEC – 68 – 2 – 6)	Frequency: 10 ~ 55 Hz Duration: 20 times, 6 min / time Amplitude: 0.75 mm	--	--
8.	Shock (IEC 68 – 2 – 27)	Duration: 11 mS Acceleration: 100g	--	X, Y, Z direction

APPEARANCE CHECK

CONDIITON OF APPEARANCE CHECK:

- (1) Specimen shall be checked by eyes in distance of 30cm under 40w – fluorescence lamp.
- (2) Checking direction shall be in 45 degree from perpendicular line op specimen surface.



Messrs.					
Product Specification	Model	NMTC-S20200XRGHS-10B	Rev. No.	Issued Date.	Page.
			<i>A</i>	<i>Sept. 06, 17</i>	<i>24 / 28</i>

HANDLING PRECAUTIONS

- (1) Treat polarizer very carefully since it is easy to be damaged.
- (2) When cleaning the display surface, use soft cloth (e.g. gauss) with a solvent (recommended below) and wipe lightly.
 - ◆ ethyl alcohol
 - ◆ iso – procolol

Do not wipe the display surface with dry or hard materials that will damage the polarizer surface.

Do not use the following solvents:

- ◆ water
- ◆ ketone
- ◆ aromatics

- (3) Direct current causes electro-chemical reaction with remarkable degradation of the display quality. Give careful consideration to prevent direct current at ON / OFF timing and during operation.
- (4) Avoid strong shock and drop from the height.
- (5) To prevent LCD panels from degradation, do not operate or store them exposed directly to sunshine or high temperature/humidity.
- (6) Give careful consideration to avoid electrical static discharge with causes uneven contrast.
- (7) Even a small condensation on the contact pads (terminals) causes electro – chemical reaction which makes missing row and column.
Give careful attention to avoid condensation. When assembling with zebra connector, clean the surface of the pads with alcohol and keep the air very clean.



Messrs.					
Product Specification	Model	NMTC-S20200XRGHS-10B	Rev. No.	Issued Date.	Page.
			A	Sept. 06, 17	25 / 28

LCD PRODUCT QUALITY STANDARD

DISPLAY APPEARANCE

No	Item	Criteria																				
1.	Inclusions (Black spot, White spot, dust)	<p>(1) Round type</p> <table> <tr> <td>Diameter mm (a*)</td> <td>no of defect*</td> </tr> <tr> <td>$a \leq 0.20$</td> <td>neglect</td> </tr> <tr> <td>$0.20 < a \leq 0.35$</td> <td>5max</td> </tr> <tr> <td>$0.35 < a$</td> <td>none</td> </tr> </table> <p>(2) Linear type</p> <table> <tr> <td>Length mm (l)</td> <td>width mm (W)</td> <td>no. of defect</td> </tr> <tr> <td>na</td> <td>$W \leq 0.03$</td> <td>neglect</td> </tr> <tr> <td>$1 \leq 3$</td> <td>$0.03 < W \leq 0.08$</td> <td>6</td> </tr> <tr> <td>$3 < l$</td> <td>$0.08 < W$</td> <td>none</td> </tr> </table>	Diameter mm (a*)	no of defect*	$a \leq 0.20$	neglect	$0.20 < a \leq 0.35$	5max	$0.35 < a$	none	Length mm (l)	width mm (W)	no. of defect	na	$W \leq 0.03$	neglect	$1 \leq 3$	$0.03 < W \leq 0.08$	6	$3 < l$	$0.08 < W$	none
Diameter mm (a*)	no of defect*																					
$a \leq 0.20$	neglect																					
$0.20 < a \leq 0.35$	5max																					
$0.35 < a$	none																					
Length mm (l)	width mm (W)	no. of defect																				
na	$W \leq 0.03$	neglect																				
$1 \leq 3$	$0.03 < W \leq 0.08$	6																				
$3 < l$	$0.08 < W$	none																				
2.	Scratch	<p>1. Scratch on protective film is permitted.</p> <p>2. Scratch on polarizer shall be as follow:</p> <p>(1) Round type</p> <table> <tr> <td>Diameter mm (a*)</td> <td>no of defect</td> </tr> <tr> <td>$a \leq 0.15$</td> <td>neglect</td> </tr> <tr> <td>$0.15 < a \leq 0.20$</td> <td>2 max</td> </tr> <tr> <td>$0.20 < a$</td> <td>none</td> </tr> </table> <p>(2) Linear type be judged by 1. – (2) linear type</p>	Diameter mm (a*)	no of defect	$a \leq 0.15$	neglect	$0.15 < a \leq 0.20$	2 max	$0.20 < a$	none												
Diameter mm (a*)	no of defect																					
$a \leq 0.15$	neglect																					
$0.15 < a \leq 0.20$	2 max																					
$0.20 < a$	none																					
3.	Dent	Diameter < 1.5mm																				
4.	Bubble	Not exceeding 0.5mm average diameter is acceptable between glass and polarizing film																				
5.	Pin hole	$(a + b) / 2 \leq 0.15\text{mm}$ Maximum number: ignored $0.15 < (a + b) / 2 \leq 0.20\text{mm}$ Maximum number: 10																				



Messrs.					
Product Specification	Model	NMTC-S20200XRGHS-10B	Rev. No.	Issued Date.	Page.
			A	Sept. 06, 17	26 / 28

No	Item	Criteria										
6.	Dot defect	$(a + b) / 2 \leq 0.20\text{mm}$ Maximum number: ignored $0.20 < (a + b) / 2 \leq 0.30\text{mm}$ Maximum number: 5 X = Width										
7.	Contrast irregularity (Spot)	<table> <tr> <td>Diameter spec</td> <td>no of defect</td> </tr> <tr> <td>$a \leq 0.50\text{mm}$</td> <td>neglect</td> </tr> <tr> <td>$0.50 < a \leq 0.75$</td> <td>5</td> </tr> <tr> <td>$0.75 < a \leq 1.00$</td> <td>3</td> </tr> <tr> <td>$1.00 < a$</td> <td>none</td> </tr> </table>	Diameter spec	no of defect	$a \leq 0.50\text{mm}$	neglect	$0.50 < a \leq 0.75$	5	$0.75 < a \leq 1.00$	3	$1.00 < a$	none
Diameter spec	no of defect											
$a \leq 0.50\text{mm}$	neglect											
$0.50 < a \leq 0.75$	5											
$0.75 < a \leq 1.00$	3											
$1.00 < a$	none											
8.	Dot width	Design width $\pm 15\%$										
9.	Color tone and uniformity	Obvious uneven color is not permitted										



Messrs.					
Product Specification	Model	NMTC-S20200XRGHS-10B	Rev. No.	Issued Date.	Page.
			<i>A</i>	<i>Sept. 06, 17</i>	<i>27 / 28</i>

WARRANTY

This product has been manufactured to your company’s specifications as a part for use in your company’s general electronic products. It is guaranteed to perform according to delivery specifications. For any other use apart from general electronic equipment, we cannot take responsibility if the product is used in medical devices, nuclear power control equipment, aerospace equipment, fire and security systems, or any other applications in which there is a direct risk to human life and where extremely high levels of reliability are required. If the product is to be used in any of the above applications, we will need to enter into a separate product liability agreement.

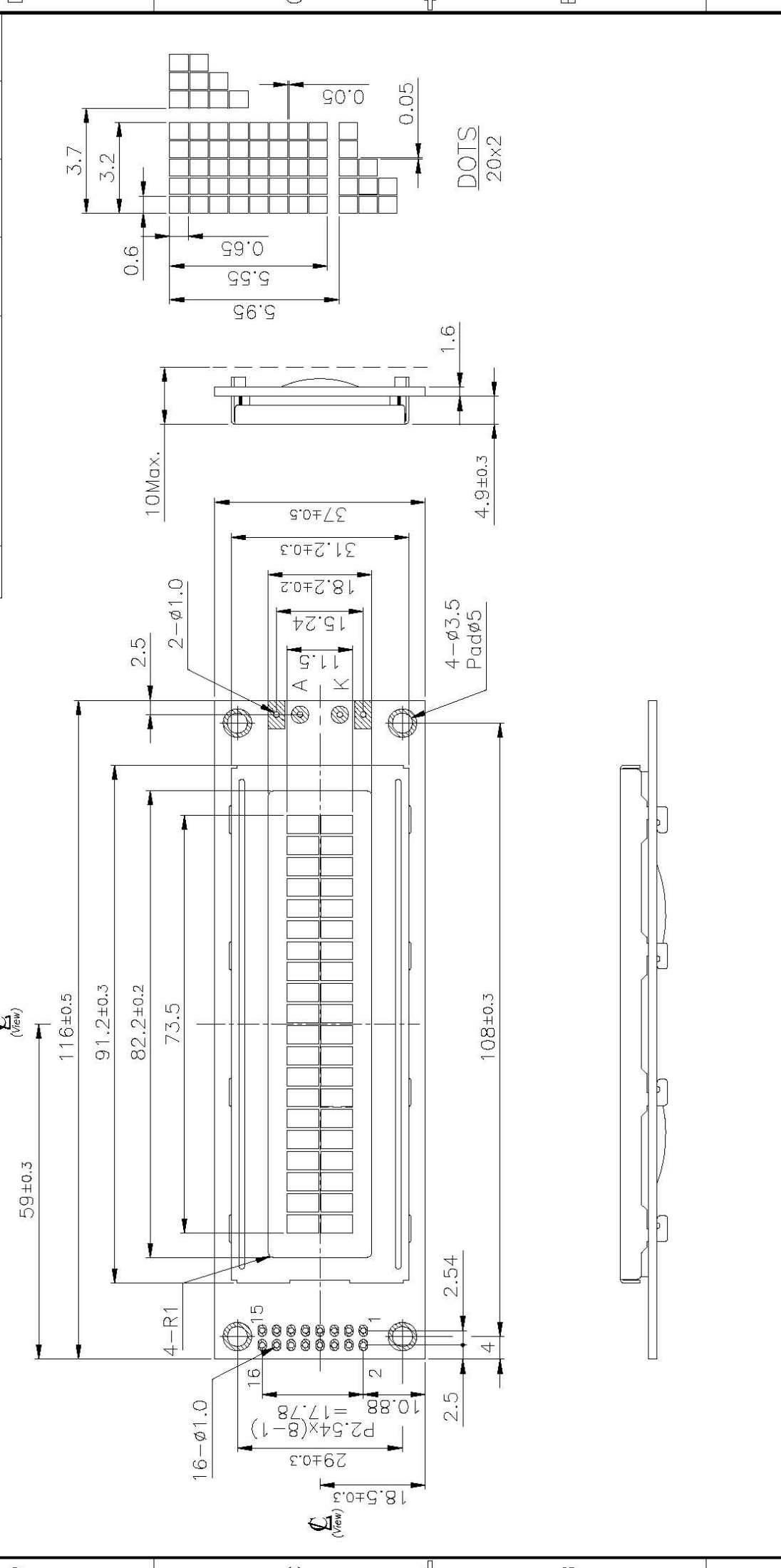
- 1 13-month guarantee starts from the date code.
- 2 We cannot accept responsibility for any defect, which may arise from additional manufacturing of the product (including disassembly and reassembly), after product delivery.
- 3 We cannot accept responsibility for any defect, which may arise after the application of strong external force to the product.
- 4 We cannot accept responsibility for any defect, which may arise due to the application of static electricity after the product has passed your company’s acceptance inspection procedures.
- 5 We cannot accept responsibility for industrial property, which may arise through the use of your product, with exception to those issues relating directly to the structure or method of manufacturing of our product. Microtips-origin longer than one year from Microtips production.

DIMENSIONAL OUTLINES

- See the next page.....



REV.	DESCRIPTION	DRAWN	CHECK	APP'D	DATE
A	Product Release	JackLi	Jeffrey		05/10/05
B	to modify aperture	Zhaiyudong	Dano		02/17/11



NO.	M-20200X	Q'TY	DATE:	02-17-11	MATERIAL	FINISH
PART NAME		APP'D	UNIT: MM		SCALE: 1/1	FOR MODULE: MTC-20200X
DRAWN	Zhaiyudong	CHECK	UNLESS OTHERWISE SPECIFIED TOLERANCE ON FRACTIONS DECIMALS ANGLES		DWG NO.:	C20200X0
		Dano	0.10 0.5°		FILE:	DWG\Design\LCM\MTC\MTC-20200X\2D
		SHEET 1 / 1		Rev: B		

PIN ASSIGNMENT			
1. VSS	5. R/W	9. DB2	13. DB6
2. VDD	6. E	10. DB3	14. DB7
3. VEE	7. DB0	11. DB4	15. BKL A
4. RS	8. DB1	12. DB5	16. BKL K

Компания «Life Electronics» занимается поставками электронных компонентов импортного и отечественного производства от производителей и со складов крупных дистрибьюторов Европы, Америки и Азии.

С конца 2013 года компания активно расширяет линейку поставок компонентов по направлению коаксиальный кабель, кварцевые генераторы и конденсаторы (керамические, пленочные, электролитические), за счёт заключения дистрибьюторских договоров

Мы предлагаем:

- Конкурентоспособные цены и скидки постоянным клиентам.
- Специальные условия для постоянных клиентов.
- Подбор аналогов.
- Поставку компонентов в любых объемах, удовлетворяющих вашим потребностям.
- Приемлемые сроки поставки, возможна ускоренная поставка.
- Доставку товара в любую точку России и стран СНГ.
- Комплексную поставку.
- Работу по проектам и поставку образцов.
- Формирование склада под заказчика.
- Сертификаты соответствия на поставляемую продукцию (по желанию клиента).
- Тестирование поставляемой продукции.
- Поставку компонентов, требующих военную и космическую приемку.
- Входной контроль качества.
- Наличие сертификата ISO.

В составе нашей компании организован Конструкторский отдел, призванный помогать разработчикам, и инженерам.

Конструкторский отдел помогает осуществить:

- Регистрацию проекта у производителя компонентов.
- Техническую поддержку проекта.
- Защиту от снятия компонента с производства.
- Оценку стоимости проекта по компонентам.
- Изготовление тестовой платы монтаж и пусконаладочные работы.



Тел: +7 (812) 336 43 04 (многоканальный)
Email: org@lifeelectronics.ru