

Improved Quad CMOS Analog Switches

DESCRIPTION

The DG201B, DG202B analog switches are highly improved versions of the industry-standard DG201A, DG202. These devices are fabricated in Vishay Siliconix' proprietary silicon gate CMOS process, resulting in lower on-resistance, lower leakage, higher speed, and lower power consumption.

These quad single-pole single-throw switches are designed for a wide variety of applications in telecommunications, instrumentation, process control, computer peripherals, etc. An improved charge injection compensation design minimizes switching transients. The DG201B and DG202B can handle up to ± 22 V input signals, and have an improved continuous current rating of 30 mA. An epitaxial layer prevents latchup.

All devices feature true bi-directional performance in the on condition, and will block signals to the supply voltages in the off condition.

The DG201B is a normally closed switch and the DG202B is a normally open switch. (see Truth Table.)

FEATURES

- ± 22 V supply voltage rating
- TTL and CMOS compatible logic
- Low on-resistance - $R_{DS(on)}$: 45 Ω
- Low leakage - $I_{D(on)}$: 20 pA
- Single supply operation possible
- Extended temperature range
- Fast switching - t_{ON} : 120 ns
- Low glitching - Q: 1 pC
- **Compliant to RoHS Directive 2002/95/EC**



RoHS*
COMPLIANT

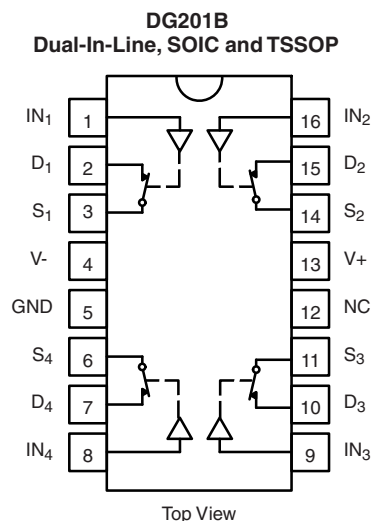
BENEFITS

- Wide analog signal range
- Simple logic interface
- Higher accuracy
- Minimum transients
- Reduced power consumption
- Superior to DG201A, DG202
- Space savings (TSSOP)

APPLICATIONS

- Industrial instrumentation
- Test equipment
- Communications systems
- Disk drives
- Computer peripherals
- Portable instruments
- Sample-and-hold circuits

FUNCTIONAL BLOCK DIAGRAM AND PIN CONFIGURATION



TRUTH TABLE

| Logic | DG201B | DG202B |
|-------|--------|--------|
| 0 | ON | OFF |
| 1 | OFF | ON |

Logic "0" ≤ 0.8 V
Logic "1" ≥ 2.4 V

* Pb containing terminations are not RoHS compliant, exemptions may apply



| ORDERING INFORMATION | | |
|----------------------|--------------------|--|
| Temp. Range | Package | Part Number |
| - 55 °C to 125 °C | 16-pin CerDIP | DG201BAK |
| | | DG202BAK |
| - 40 °C to 85 °C | 16-pin Plastic DIP | DG201BDJ DG201BDJ-E3 |
| | | DG202BDJ DG202BDJ-E3 |
| | 16-pin narrow SOIC | DG201BDY DG201BDY-E3 DG201BDY-T1 DG201BDY-T1-E3 |
| | | DG202BDY DG202BDY-E3 DG202BDY-T1 DG202BDY-T1-E3 |
| | 16-pin TSSOP | DG201BDQ DG201BDQ-E3 DG201BDQ-T1 DG201BDQ-T1-E3 |
| | | DG202BDQ DG202BDQ-E3 DG202BDQ-T1 DG202BDQ-T1-E3 |

| ABSOLUTE MAXIMUM RATINGS | | | |
|---|--|-------------|----|
| Parameter | Limit | Unit | |
| Voltages Referenced, V+ to V- | 44 | V | |
| GND | 25 | | |
| Digital Inputs ^a , V _S , V _D | (V-) - 2 to (V+) + 2 or 30 mA, whichever occurs first | | |
| Current (Any terminal) | 30 | mA | |
| Peak Current S or D (Pulsed at 1 ms, 10 % duty cycle max.) | 100 | | |
| Storage Temperature | (AK, DK suffix) | - 65 to 150 | °C |
| | (DJ, DY, DQ suffix) | - 65 to 125 | |
| Power Dissipation (Package) ^b | 16-pin plastic DIP ^c | 470 | mW |
| | 16-pin narrow SOIC and TSSOP ^d | 640 | |
| | 16-pin CerDIP ^e | 900 | |
| | LCC-20 ^f | 750 | |

Notes:

- a. Signals on S_x, D_x, or IN_x exceeding V+ or V- will be clamped by internal diodes. Limit forward diode current to maximum current ratings.
- b. All leads welded or soldered to PC board.
- c. Derate 6.5 mW/°C above 75 °C.
- d. Derate 7.6 mW/°C above 75 °C.
- e. Derate 12 mW/°C above 75 °C.
- f. Derate 10 mW/°C above 75 °C.

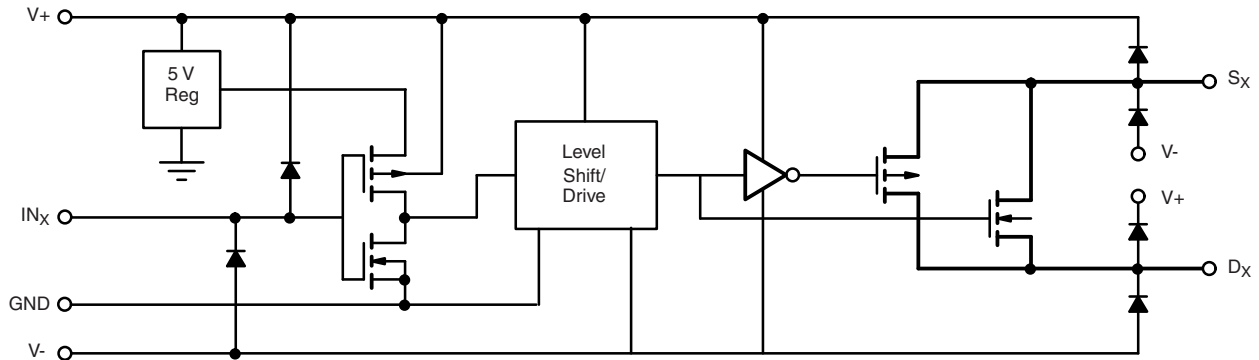
SCHEMATIC DIAGRAM (typical channel)


Figure 1.

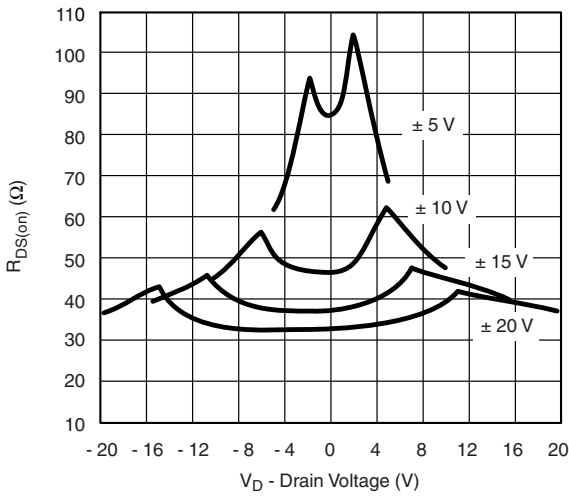
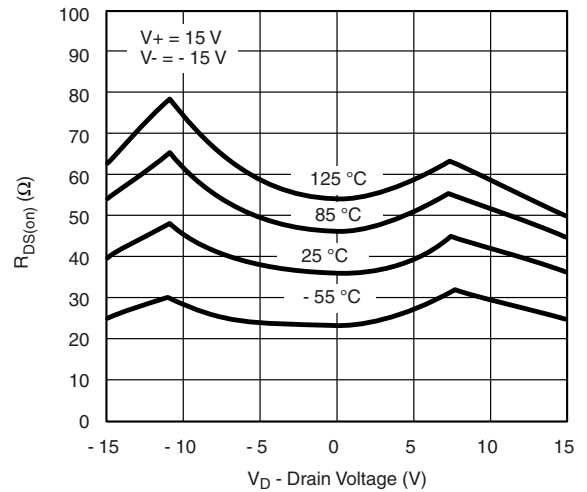
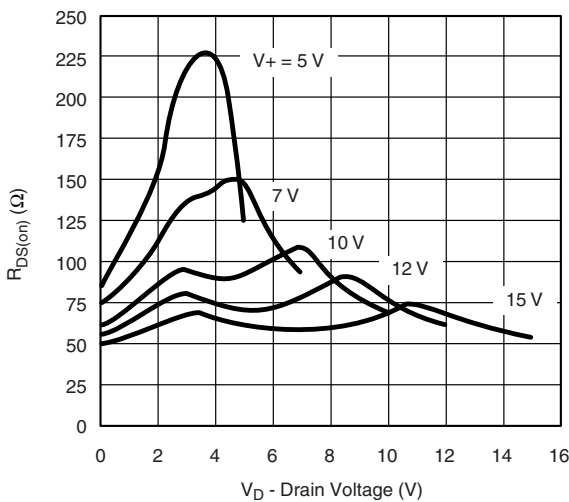
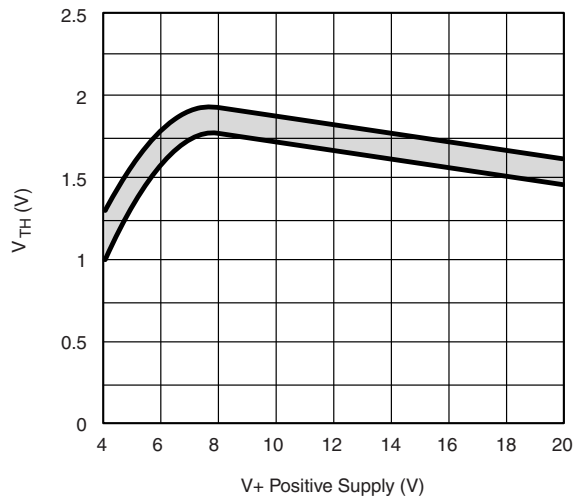
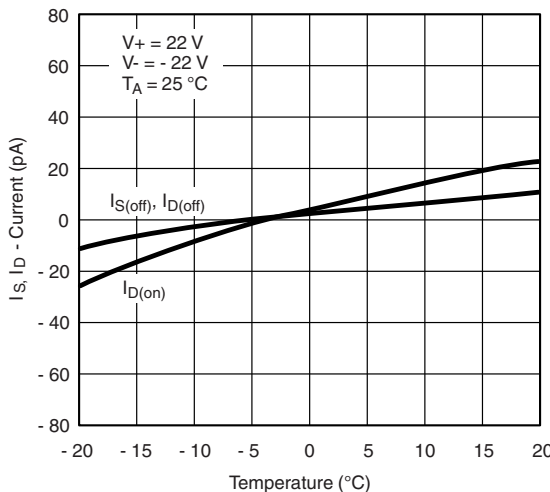
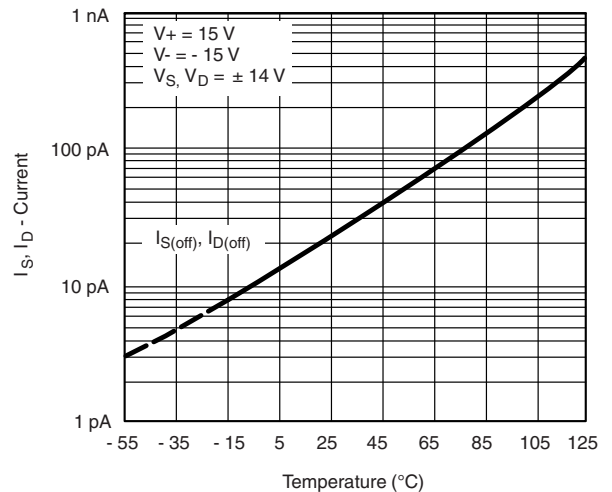
| SPECIFICATIONS^a | | | | | | | | | |
|---|------------------------|---|--------------------|-------------------|------------------------------|-------------------|-----------------------------|-------------------|---------------|
| Parameter | Symbol | Test Conditions Unless Specified $V_+ = 15\text{ V}$, $V_- = -15\text{ V}$ $V_{IN} = 2.4\text{ V}$, 0.8 V^f | Temp. ^b | Typ. ^c | A Suffix -55 °C to 125 °C | | D Suffix -40 °C to 85 °C | | Unit |
| | | | | | Min. ^d | Max. ^d | Min. ^d | Max. ^d | |
| Analog Switch | | | | | | | | | |
| Analog Signal Range ^e | V_{ANALOG} | | Full | | -15 | 15 | -15 | 15 | V |
| Drain-Source On-Resistance | $R_{DS(on)}$ | $V_D = \pm 10\text{ V}$, $I_S = 1\text{ mA}$ | Room | 45 | | 85 | | 85 | Ω |
| $R_{DS(on)}$ Match | $\Delta R_{DS(on)}$ | | Room | 2 | | | | | |
| Source Off Leakage Current | $I_{S(off)}$ | $V_S = \pm 14\text{ V}$, $V_D = \pm 14\text{ V}$ | Room | ± 0.01 | -0.5 | 0.5 | -0.5 | 0.5 | nA |
| Drain Off Leakage Current | $I_{D(off)}$ | $V_D = \pm 14\text{ V}$, $V_S = \pm 14\text{ V}$ | Room | ± 0.01 | -0.5 | 0.5 | -0.5 | 0.5 | |
| Drain On Leakage Current | $I_{D(on)}$ | $V_S = V_D = \pm 14\text{ V}$ | Room | ± 0.02 | -0.5 | 0.5 | -0.5 | 0.5 | |
| Digital Control | | | | | | | | | |
| Input Voltage High | V_{INH} | | Full | | 2.4 | | 2.4 | | V |
| Input Voltage Low | V_{INL} | | Full | | | 0.8 | | 0.8 | |
| Input Current | I_{INH} or I_{INL} | V_{INH} or V_{INL} | Full | | -1 | 1 | -1 | 1 | μA |
| Input Capacitance | C_{IN} | | Room | 5 | | | | | pF |
| Dynamic Characteristics | | | | | | | | | |
| Turn-On Time | t_{ON} | $V_S = 2\text{ V}$ see switching time test circuit | Room | 120 | | 300 | | 300 | ns |
| Turn-Off Time | t_{OFF} | | Room | 65 | | 200 | | 200 | |
| Charge Injection | Q | $C_L = 1000\text{ pF}$, $V_g = 0\text{ V}$ $R_g = 0\ \Omega$ | Room | 1 | | | | | pC |
| Source-Off Capacitance | $C_{S(off)}$ | $V_S = 0\text{ V}$, $f = 1\text{ MHz}$ | Room | 5 | | | | | pF |
| Drain-Off Capacitance | $C_{D(off)}$ | | Room | 5 | | | | | |
| Channel On Capacitance | $C_{D(on)}$ | $V_D = V_S = 0\text{ V}$, $f = 1\text{ MHz}$ | Room | 16 | | | | | |
| Off Isolation | OIRR | $C_L = 15\text{ pF}$, $R_L = 50\ \Omega$ $V_S = 1\text{ V}_{RMS}$, $f = 100\text{ kHz}$ | Room | 90 | | | | | dB |
| Channel-to-Channel Crosstalk | X_{TALK} | | Room | 95 | | | | | |
| Power Supply | | | | | | | | | |
| Positive Supply Current | I_+ | $V_{IN} = 0$ or 5 V | Room | | | 50 | | 50 | μA |
| Negative Supply Current | I_- | | Room | | | -1 | | -1 | |
| Power Supply Range for Continuous Operation | V_{OP} | | Full | | ± 4.5 | ± 22 | ± 4.5 | ± 22 | V |

| SPECIFICATIONS (for Single Supply) ^a | | | | | | | | | |
|--|--------------|---|--------------------|-------------------|-------------------------------|-------------------|------------------------------|-------------------|---------------|
| Parameter | Symbol | Test Conditions Unless Specified $V_+ = 12\text{ V}$, $V_- = 0\text{ V}$ $V_{IN} = 2.4\text{ V}$, 0.8 V^f | Temp. ^b | Typ. ^c | A Suffix - 55 °C to 125 °C | | D Suffix - 40 °C to 85 °C | | Unit |
| | | | | | Min. ^d | Max. ^d | Min. ^d | Max. ^d | |
| Analog Switch | | | | | | | | | |
| Analog Signal Range ^e | V_{ANALOG} | | Full | | 0 | 12 | 0 | 12 | V |
| Drain-Source On-Resistance | $R_{DS(on)}$ | $V_D = 3\text{ V}$, 8 V , $I_S = 1\text{ mA}$ | Room Full | 90 | | 160 200 | | 160 200 | Ω |
| Dynamic Characteristics | | | | | | | | | |
| Turn-On Time | t_{ON} | $V_S = 8\text{ V}$ see switching time test circuit | Room | 120 | | 300 | | 300 | ns |
| Turn-Off Time | t_{OFF} | | Room | 60 | | 200 | | 200 | |
| Charge Injection | Q | $C_L = 1\text{ nF}$, $V_{gen} = 6\text{ V}$ $R_{gen} = 0\ \Omega$ | Room | 4 | | | | | pC |
| Power Supply | | | | | | | | | |
| Positive Supply Current | I+ | $V_{IN} = 0\text{ or }5\text{ V}$ | Room Full | | | 50 100 | | 50 100 | μA |
| Negative Supply Current | I- | | Room Full | | - 1 - 5 | | - 1 - 5 | | |
| Power Supply Range for Continuous Operation | V_{OP} | | Full | | + 4.5 | + 25 | + 4.5 | + 25 | V |

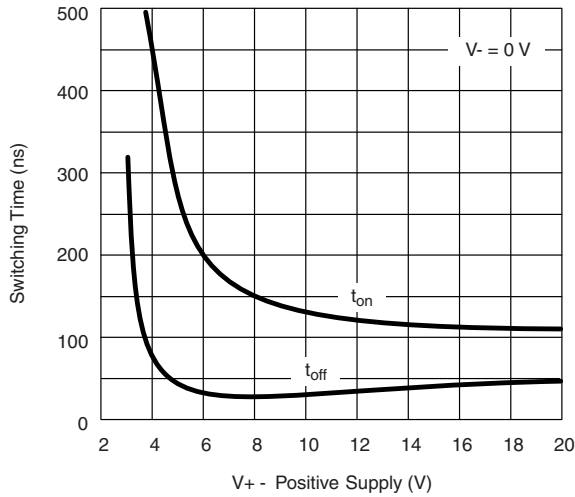
Notes:

- Refer to PROCESS OPTION FLOWCHART.
- Room = 25 °C, Full = as determined by the operating temperature suffix.
- Typical values are for DESIGN AID ONLY, not guaranteed nor subject to production testing.
- The algebraic convention whereby the most negative value is a minimum and the most positive a maximum, is used in this data sheet.
- Guaranteed by design, not subject to production test.
- V_{IN} = input voltage to perform proper function.

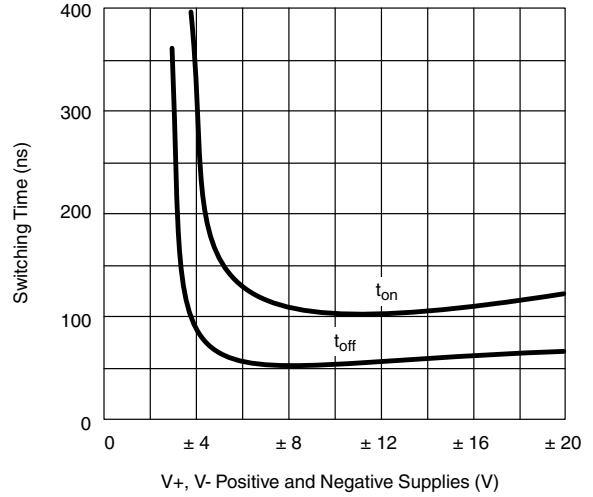
Stresses beyond those listed under "Absolute Maximum Ratings" may cause permanent damage to the device. These are stress ratings only, and functional operation of the device at these or any other conditions beyond those indicated in the operational sections of the specifications is not implied. Exposure to absolute maximum rating conditions for extended periods may affect device reliability.

TYPICAL CHARACTERISTICS (25 °C, unless otherwise noted)

 $R_{DS(on)}$ vs. V_D and Power Supply Voltages

 $R_{DS(on)}$ vs. V_D and Temperature

 $R_{DS(on)}$ vs. V_D and Single Power Supply Voltages

Input Switching Threshold vs. Supply Voltage

Leakage Currents vs. Analog Voltage

Leakage Currents vs. Temperature

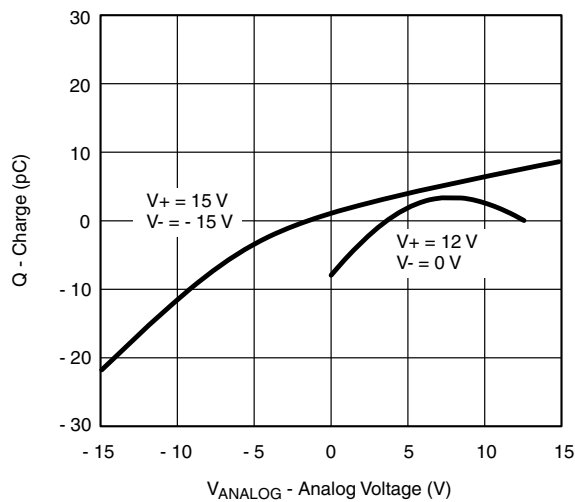
TYPICAL CHARACTERISTICS (25 °C, unless otherwise noted)



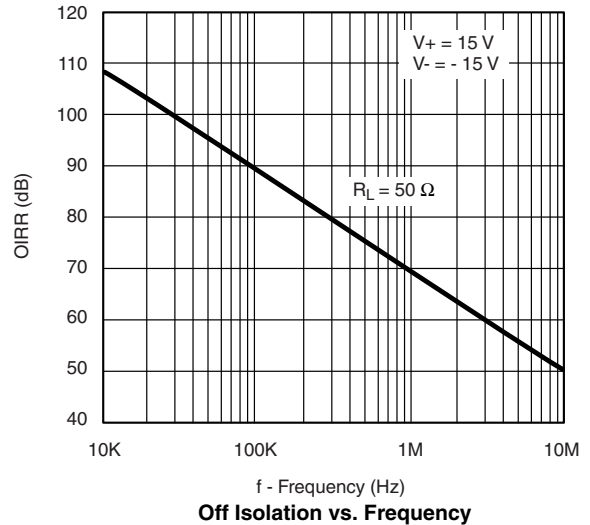
Switching Time vs. Single Supply Voltage



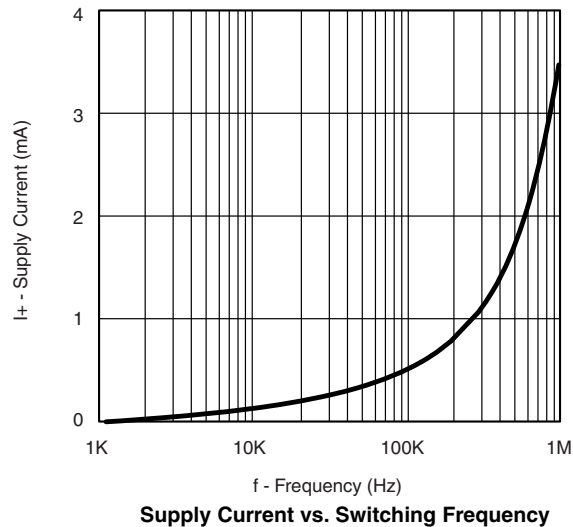
Switching Time vs. Power Supply Voltage



Q_S, Q_D - Charge Injection vs. Analog Voltage



Off Isolation vs. Frequency



Supply Current vs. Switching Frequency

TEST CIRCUITS

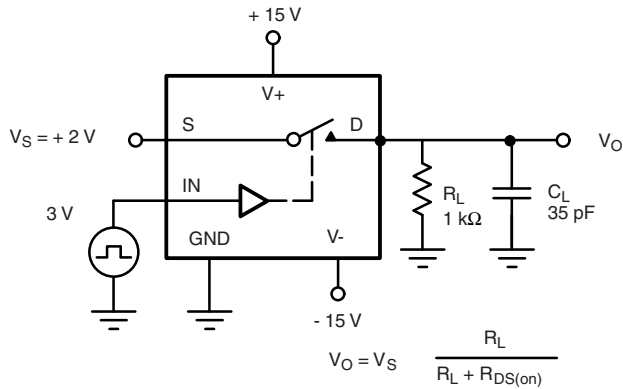


Figure 2. Switching Time

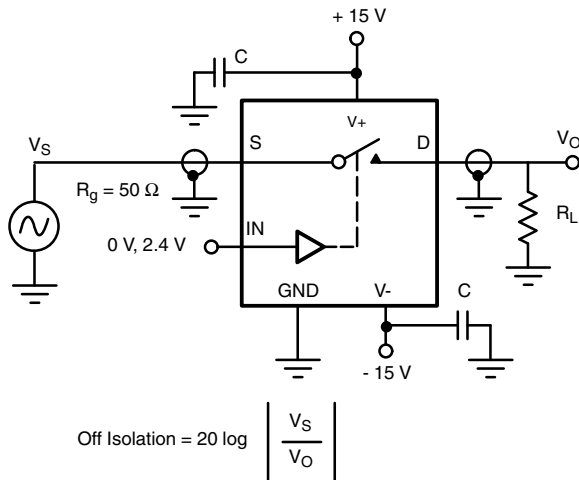
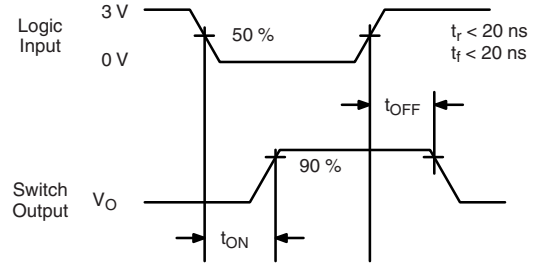


Figure 3. Off Isolation

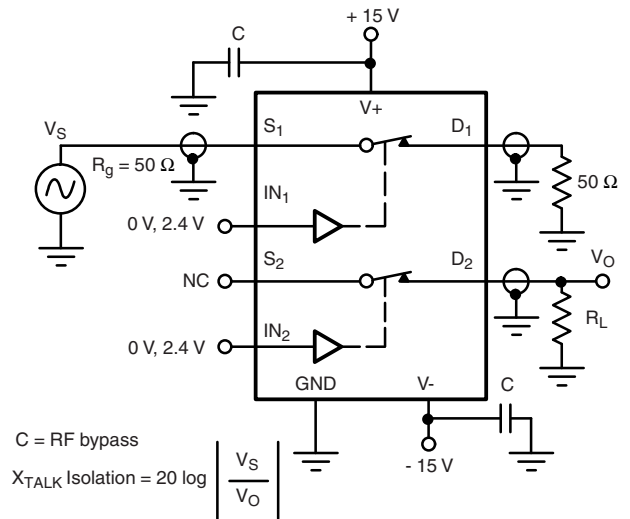


Figure 4. Channel-to-Channel Crosstalk

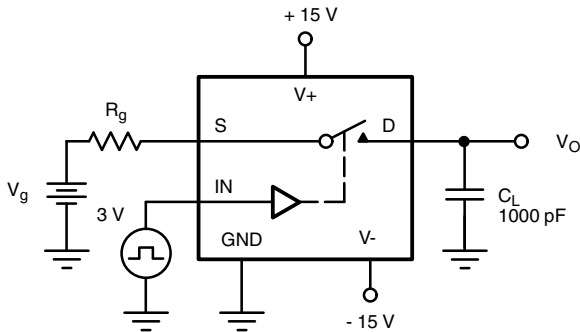
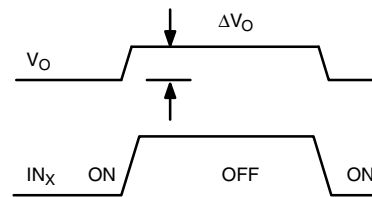


Figure 5. Charge Injection



ΔV_O = measured voltage error due to charge injection
The charge injection in coulombs is $Q = C_L \times \Delta V_O$

APPLICATIONS

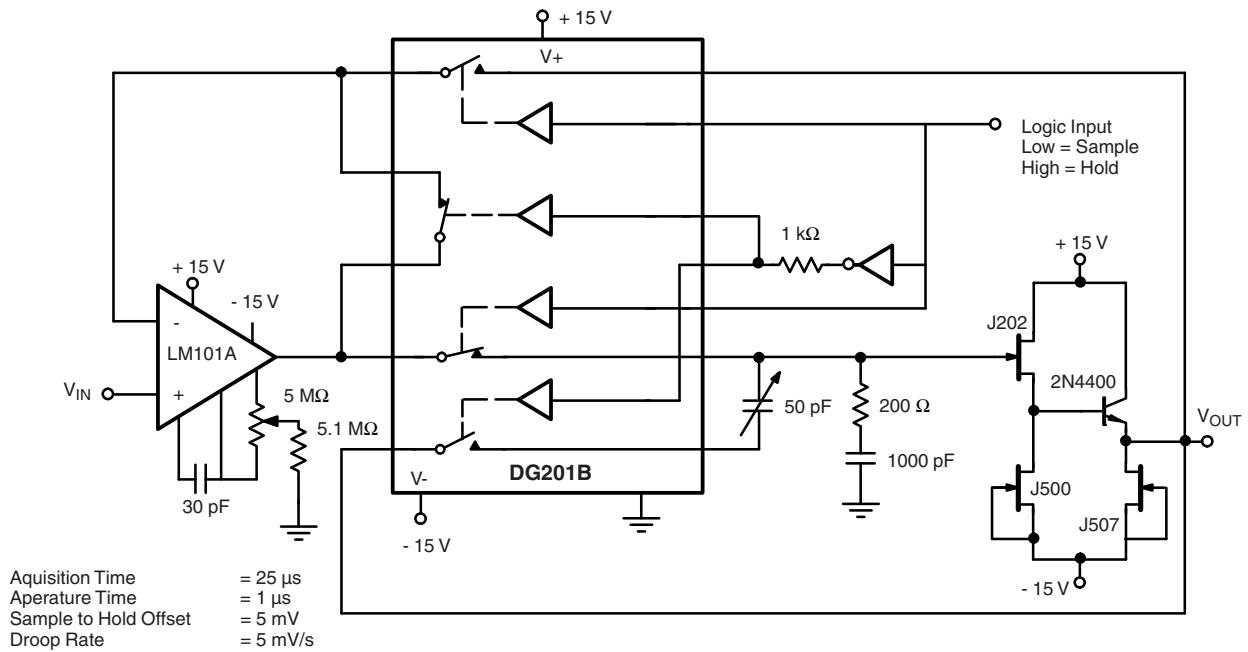


Figure 6. Sample-and-Hold

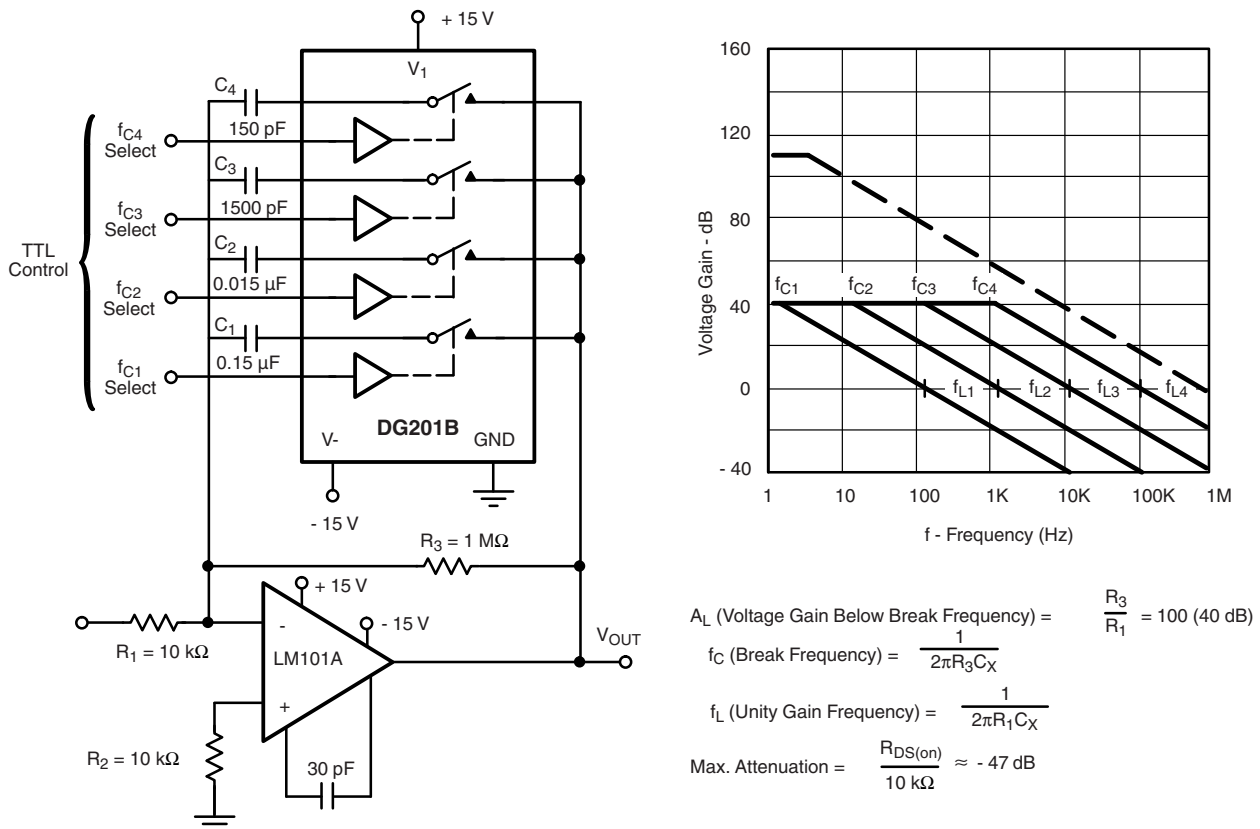


Figure 7. Active Low Pass Filter with Digitally Selected Break Frequency

APPLICATIONS

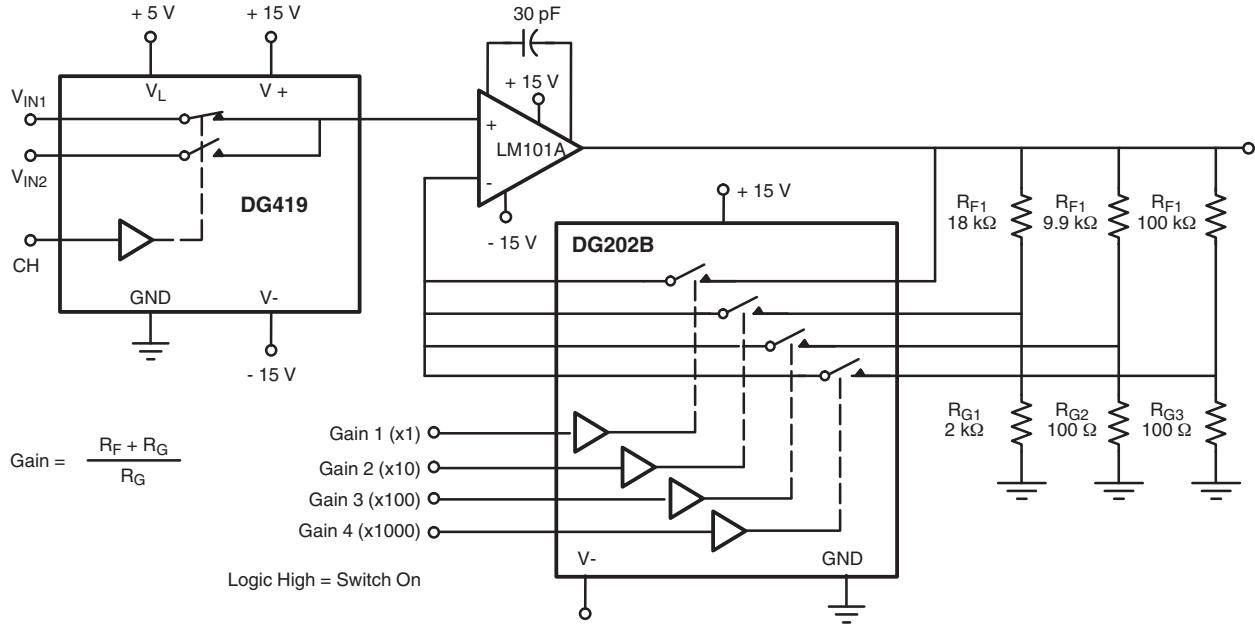
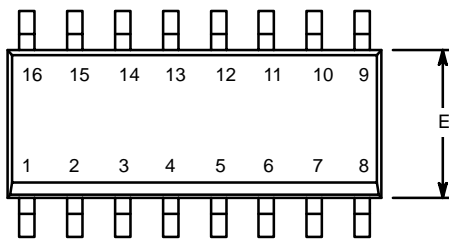


Figure 8. A Precision Amplifier with Digitally Programmable Input and Gains

Vishay Siliconix maintains worldwide manufacturing capability. Products may be manufactured at one of several qualified locations. Reliability data for Silicon Technology and Package Reliability represent a composite of all qualified locations. For related documents such as package/tape drawings, part marking, and reliability data, see www.vishay.com/ppg?70037.



SOIC (NARROW): 16-LEAD
JEDEC Part Number: MS-012

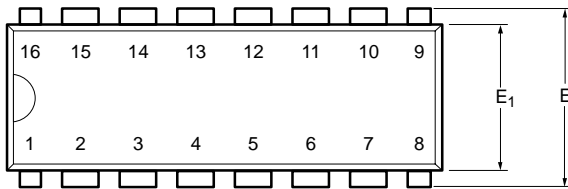


| Dim | MILLIMETERS | | INCHES | |
|----------------|-------------|-------|-----------|-------|
| | Min | Max | Min | Max |
| A | 1.35 | 1.75 | 0.053 | 0.069 |
| A ₁ | 0.10 | 0.20 | 0.004 | 0.008 |
| B | 0.38 | 0.51 | 0.015 | 0.020 |
| C | 0.18 | 0.23 | 0.007 | 0.009 |
| D | 9.80 | 10.00 | 0.385 | 0.393 |
| E | 3.80 | 4.00 | 0.149 | 0.157 |
| e | 1.27 BSC | | 0.050 BSC | |
| H | 5.80 | 6.20 | 0.228 | 0.244 |
| L | 0.50 | 0.93 | 0.020 | 0.037 |
| ∅ | 0° | 8° | 0° | 8° |

ECN: S-03946—Rev. F, 09-Jul-01
DWG: 5300



PDIP: 16-LEAD

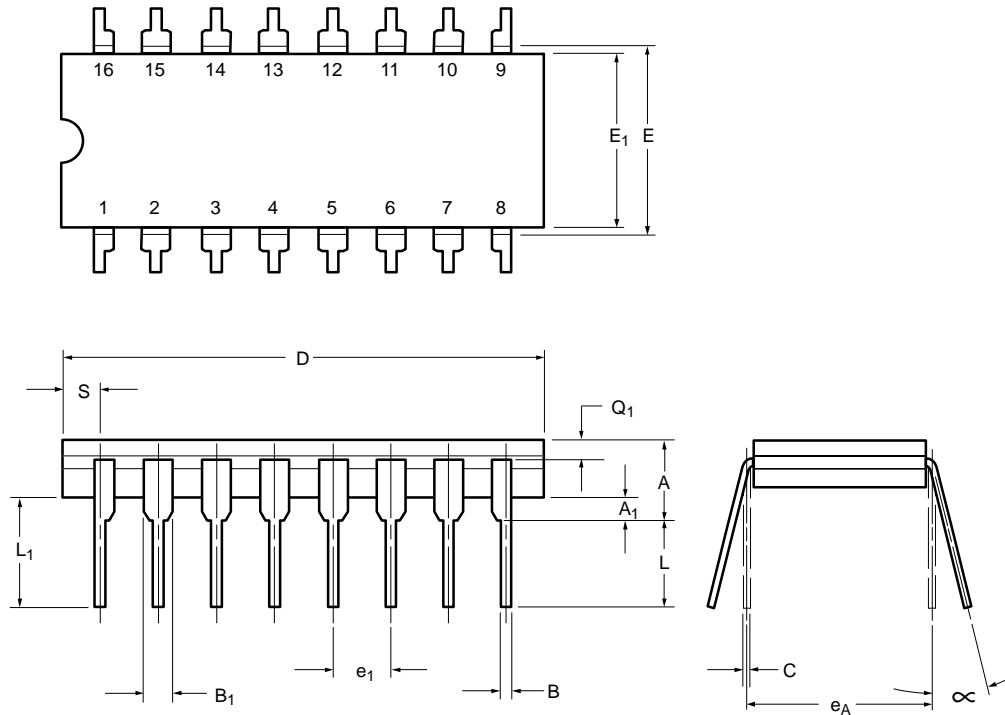


| Dim | MILLIMETERS | | INCHES | |
|----------------------|-------------|-------|--------|-------|
| | Min | Max | Min | Max |
| A | 3.81 | 5.08 | 0.150 | 0.200 |
| A₁ | 0.38 | 1.27 | 0.015 | 0.050 |
| B | 0.38 | 0.51 | 0.015 | 0.020 |
| B₁ | 0.89 | 1.65 | 0.035 | 0.065 |
| C | 0.20 | 0.30 | 0.008 | 0.012 |
| D | 18.93 | 21.33 | 0.745 | 0.840 |
| E | 7.62 | 8.26 | 0.300 | 0.325 |
| E₁ | 5.59 | 7.11 | 0.220 | 0.280 |
| e₁ | 2.29 | 2.79 | 0.090 | 0.110 |
| e_A | 7.37 | 7.87 | 0.290 | 0.310 |
| L | 2.79 | 3.81 | 0.110 | 0.150 |
| Q₁ | 1.27 | 2.03 | 0.050 | 0.080 |
| S | 0.38 | 1.52 | .015 | 0.060 |

ECN: S-03946—Rev. D, 09-Jul-01
DWG: 5482



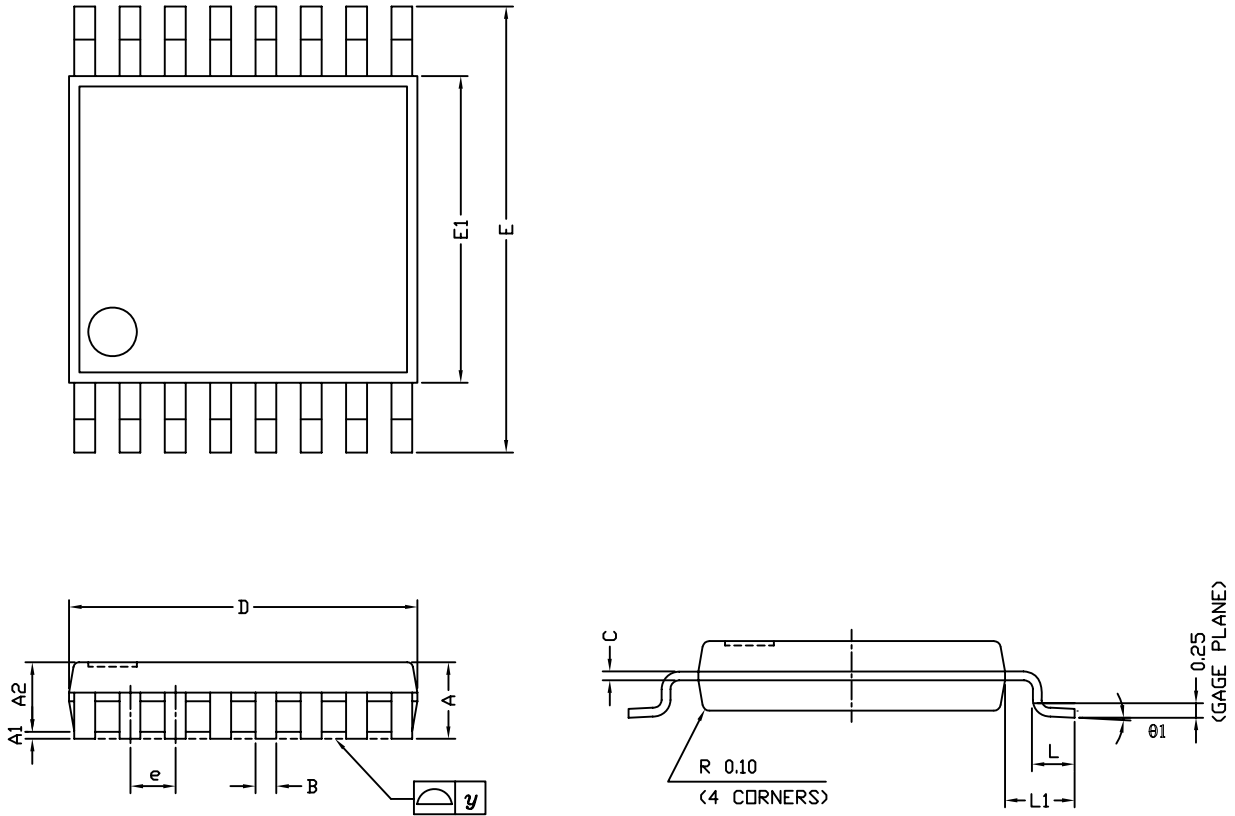
CERDIP: 16-LEAD



| Dim | MILLIMETERS | | INCHES | |
|----------------|-------------|-------|-----------|-------|
| | Min | Max | Min | Max |
| A | 4.06 | 5.08 | 0.160 | 0.200 |
| A ₁ | 0.51 | 1.14 | 0.020 | 0.045 |
| B | 0.38 | 0.51 | 0.015 | 0.020 |
| B ₁ | 1.14 | 1.65 | 0.045 | 0.065 |
| C | 0.20 | 0.30 | 0.008 | 0.012 |
| D | 19.05 | 19.56 | 0.750 | 0.770 |
| E | 7.62 | 8.26 | 0.300 | 0.325 |
| E ₁ | 6.60 | 7.62 | 0.260 | 0.300 |
| e ₁ | 2.54 BSC | | 0.100 BSC | |
| e _A | 7.62 BSC | | 0.300 BSC | |
| L | 3.18 | 3.81 | 0.125 | 0.150 |
| L ₁ | 3.81 | 5.08 | 0.150 | 0.200 |
| Q ₁ | 1.27 | 2.16 | 0.050 | 0.085 |
| S | 0.38 | 1.14 | 0.015 | 0.045 |
| ∞ | 0° | 15° | 0° | 15° |

ECN: S-03946—Rev. G, 09-Jul-01
DWG: 5403

TSSOP: 16-LEAD

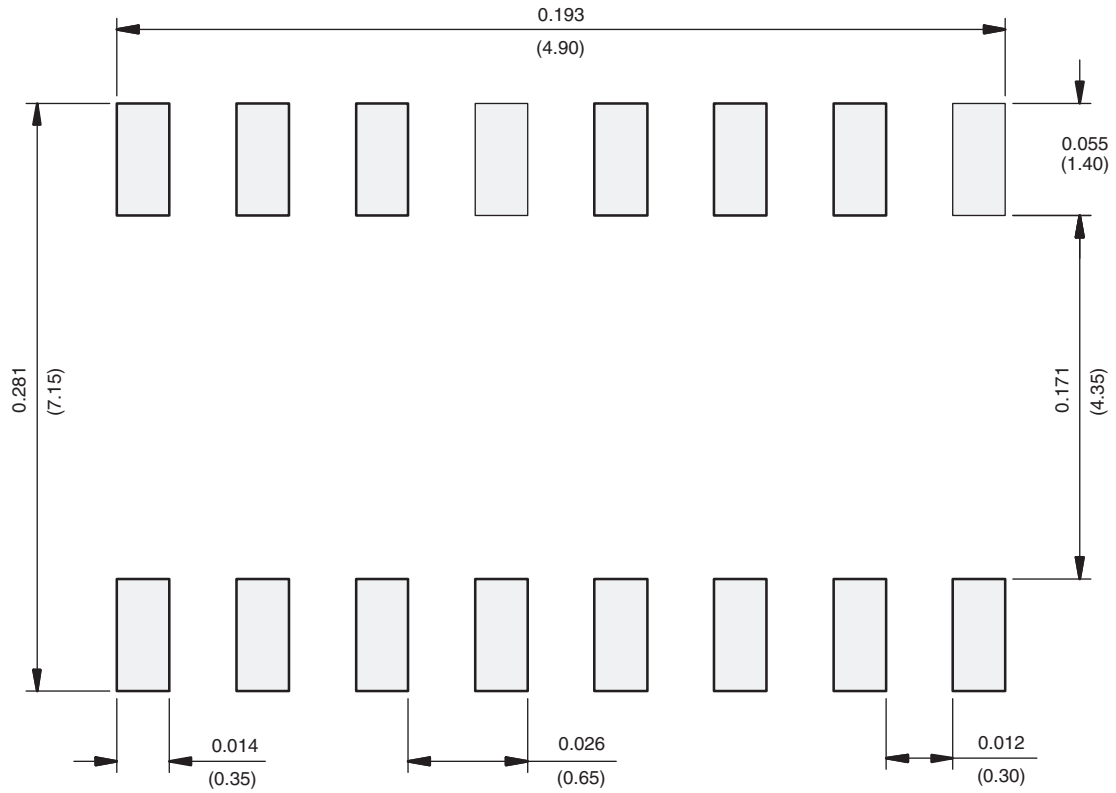


| Symbols | DIMENSIONS IN MILLIMETERS | | |
|---------|---------------------------|-------|------|
| | Min | Nom | Max |
| A | - | 1.10 | 1.20 |
| A1 | 0.05 | 0.10 | 0.15 |
| A2 | - | 1.00 | 1.05 |
| B | 0.22 | 0.28 | 0.38 |
| C | - | 0.127 | - |
| D | 4.90 | 5.00 | 5.10 |
| E | 6.10 | 6.40 | 6.70 |
| E1 | 4.30 | 4.40 | 4.50 |
| e | - | 0.65 | - |
| L | 0.50 | 0.60 | 0.70 |
| L1 | 0.90 | 1.00 | 1.10 |
| y | - | - | 0.10 |
| θ1 | 0° | 3° | 6° |

ECN: S-61920-Rev. D, 23-Oct-06
DWG: 5624

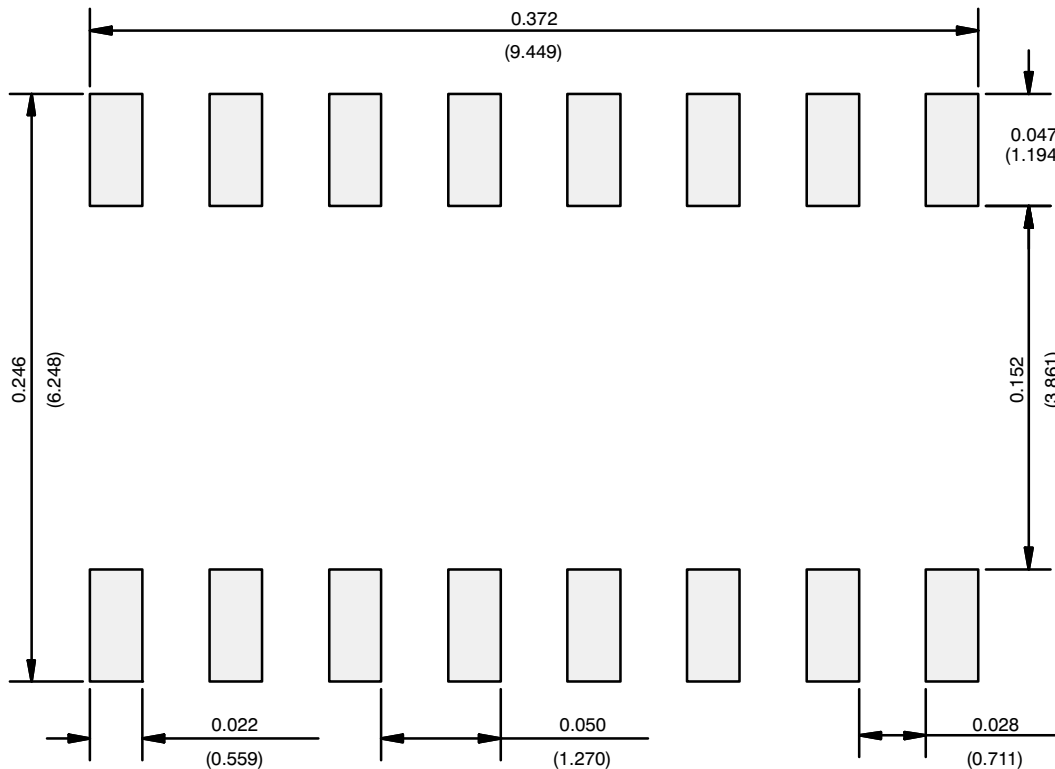


RECOMMENDED MINIMUM PAD FOR TSSOP-16



Recommended Minimum Pads
Dimensions in inches (mm)

RECOMMENDED MINIMUM PADS FOR SO-16



Recommended Minimum Pads
Dimensions in Inches/(mm)

[Return to Index](#)



Disclaimer

ALL PRODUCT, PRODUCT SPECIFICATIONS AND DATA ARE SUBJECT TO CHANGE WITHOUT NOTICE TO IMPROVE RELIABILITY, FUNCTION OR DESIGN OR OTHERWISE.

Vishay Intertechnology, Inc., its affiliates, agents, and employees, and all persons acting on its or their behalf (collectively, "Vishay"), disclaim any and all liability for any errors, inaccuracies or incompleteness contained in any datasheet or in any other disclosure relating to any product.

Vishay makes no warranty, representation or guarantee regarding the suitability of the products for any particular purpose or the continuing production of any product. To the maximum extent permitted by applicable law, Vishay disclaims (i) any and all liability arising out of the application or use of any product, (ii) any and all liability, including without limitation special, consequential or incidental damages, and (iii) any and all implied warranties, including warranties of fitness for particular purpose, non-infringement and merchantability.

Statements regarding the suitability of products for certain types of applications are based on Vishay's knowledge of typical requirements that are often placed on Vishay products in generic applications. Such statements are not binding statements about the suitability of products for a particular application. It is the customer's responsibility to validate that a particular product with the properties described in the product specification is suitable for use in a particular application. Parameters provided in datasheets and/or specifications may vary in different applications and performance may vary over time. All operating parameters, including typical parameters, must be validated for each customer application by the customer's technical experts. Product specifications do not expand or otherwise modify Vishay's terms and conditions of purchase, including but not limited to the warranty expressed therein.

Except as expressly indicated in writing, Vishay products are not designed for use in medical, life-saving, or life-sustaining applications or for any other application in which the failure of the Vishay product could result in personal injury or death. Customers using or selling Vishay products not expressly indicated for use in such applications do so at their own risk. Please contact authorized Vishay personnel to obtain written terms and conditions regarding products designed for such applications.

No license, express or implied, by estoppel or otherwise, to any intellectual property rights is granted by this document or by any conduct of Vishay. Product names and markings noted herein may be trademarks of their respective owners.

Material Category Policy

Vishay Intertechnology, Inc. hereby certifies that all its products that are identified as RoHS-Compliant fulfill the definitions and restrictions defined under Directive 2011/65/EU of The European Parliament and of the Council of June 8, 2011 on the restriction of the use of certain hazardous substances in electrical and electronic equipment (EEE) - recast, unless otherwise specified as non-compliant.

Please note that some Vishay documentation may still make reference to RoHS Directive 2002/95/EC. We confirm that all the products identified as being compliant to Directive 2002/95/EC conform to Directive 2011/65/EU.

Vishay Intertechnology, Inc. hereby certifies that all its products that are identified as Halogen-Free follow Halogen-Free requirements as per JEDEC JS709A standards. Please note that some Vishay documentation may still make reference to the IEC 61249-2-21 definition. We confirm that all the products identified as being compliant to IEC 61249-2-21 conform to JEDEC JS709A standards.

Компания «Life Electronics» занимается поставками электронных компонентов импортного и отечественного производства от производителей и со складов крупных дистрибьюторов Европы, Америки и Азии.

С конца 2013 года компания активно расширяет линейку поставок компонентов по направлению коаксиальный кабель, кварцевые генераторы и конденсаторы (керамические, пленочные, электролитические), за счёт заключения дистрибьюторских договоров

Мы предлагаем:

- Конкурентоспособные цены и скидки постоянным клиентам.
- Специальные условия для постоянных клиентов.
- Подбор аналогов.
- Поставку компонентов в любых объемах, удовлетворяющих вашим потребностям.
- Приемлемые сроки поставки, возможна ускоренная поставка.
- Доставку товара в любую точку России и стран СНГ.
- Комплексную поставку.
- Работу по проектам и поставку образцов.
- Формирование склада под заказчика.
- Сертификаты соответствия на поставляемую продукцию (по желанию клиента).
- Тестирование поставляемой продукции.
- Поставку компонентов, требующих военную и космическую приемку.
- Входной контроль качества.
- Наличие сертификата ISO.

В составе нашей компании организован Конструкторский отдел, призванный помогать разработчикам, и инженерам.

Конструкторский отдел помогает осуществить:

- Регистрацию проекта у производителя компонентов.
- Техническую поддержку проекта.
- Защиту от снятия компонента с производства.
- Оценку стоимости проекта по компонентам.
- Изготовление тестовой платы монтаж и пусконаладочные работы.



Тел: +7 (812) 336 43 04 (многоканальный)

Email: org@lifeelectronics.ru