

DATA SHEET

SKY13320-374LF: 0.1 to 6.0 GHz GaAs SPDT Switch

Applications

- Two-way radios
- WiMAX
- WLANs

Features

- Broadband frequency range: 0.1 to 6.0 GHz
- Low insertion loss: 0.5 dB @ 2.4 GHz
- High isolation: 28 dB @ 0.9 GHz
- High P_{0.1dB}: +33 dBm @ 3.0 V
- Operating voltage range from 1.8 to 5.0 V
- Small MLPD (6-pin, 1.5 x 1.5 mm) package (MSL1, 260 °C per JEDEC J-STD-020)



Skyworks Green™ products are compliant with all applicable legislation and are halogen-free. For additional information, refer to *Skyworks Definition of Green™*, document number SQ04-0074.

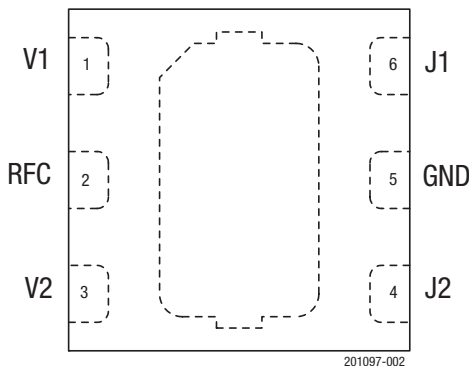


Figure 2. SKY13320-374LF Pinout (Top View)

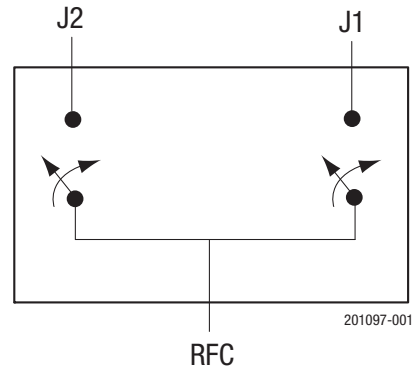


Figure 1. SKY13320-374LF Block Diagram

Description

The SKY13320-374LF is a pHEMT GaAs FET I/C high-power switch. The switch is an ideal choice for two-way radios, WiMAX, and WLAN applications such as 802.11 a/b/g where low loss, high isolation, and excellent linearity are key requirements.

The switch is manufactured in a compact, 1.5 x 1.5 mm, 6-pin exposed pad plastic Micro Leadframe Package Dual (MLPD) package.

A functional block diagram is shown in Figure 1. The pin configuration and package are shown in Figure 2. Signal pin assignments and functional pin descriptions are provided in Table 1.

Table 1. SKY13320-374LF Signal Descriptions

Pin	Name	Description	Pin	Name	Description
1	V1	DC control voltage	4	J2	RF output ¹
2	RFC	RF common input (Note 1)	5	GND	Ground
3	V2	DC control voltage	6	J1	RF output ¹

¹ A 47 pF blocking capacitor is required for >1 GHz operation. Use larger value capacitors for lower frequency operation.

Electrical and Mechanical Specifications

The absolute maximum ratings of the SKY13320-374LF are provided in Table 2. The recommended operating conditions are specified in Table 3 and electrical specifications are provided in Table 4.

Typical performance characteristics of the SKY13320-374LF are illustrated in Figures 3 through 5.

The state of the SKY13320-374LF is determined by the logic provided in Table 5.

Table 2. SKY13320-374LF Absolute Maximum Ratings¹

Parameter	Symbol	Minimum	Typical	Maximum	Units
Input power @ 3.3 V (f > 100 MHz)	P _{IN}		+37		dBm
Voltage range	V _{CTL}	1.8		7.0	V
Storage temperature	T _{STG}	-65		+150	°C
Junction temperature	T _J			+150	°C
Operating temperature	T _{OP}	-40		+85	°C
Thermal resistance	Θ _{JC}		42		°C/W

¹ Exposure to maximum rating conditions for extended periods may reduce device reliability. There is no damage to device with only one parameter set at the limit and all other parameters set at or below their nominal value. Exceeding any of the limits listed here may result in permanent damage to the device.

ESD HANDLING: *Although this device is designed to be as robust as possible, electrostatic discharge (ESD) can damage this device. This device must be protected at all times from ESD when handling or transporting. Static charges may easily produce potentials of several kilovolts on the human body or equipment, which can discharge without detection. Industry-standard ESD handling precautions should be used at all times.*

Table 3. SKY13320-374LF Recommended Operating Conditions

Parameter	Symbol	Min	Typ	Max	Units
Frequency	f	0.1		6.0	GHz
Control voltage:					
Low	V _{CTL_L}	0		0.2	V
High	V _{CTL_H}	1.8		5.0	V

Table 4. SKY13320-374LF Electrical Specifications¹**($V_{CTL} = 0\text{ V}$ and $+3.0\text{ V}$, $T_{OP} = +25\text{ °C}$, $P_{IN} = 0\text{ dBm}$, Characteristic Impedance [Z_0] = $50\text{ }\Omega$, Unless Otherwise Noted)**

Parameter	Symbol	Test Condition	Min	Typ	Max	Units
Insertion loss		0.1-0.9 GHz		0.40	0.55	dB
		2.4-2.5 GHz		0.50	0.65	dB
		3.3-3.8 GHz		0.50	0.65	dB
		4.9-6.0 GHz		0.60	0.80	dB
Isolation		0.1-0.9 GHz	25	28		dB
		2.4-2.5 GHz	22	25		dB
		3.3-3.8 GHz	23	26		dB
		4.9-6.0 GHz	21	24		dB
Return loss (insertion loss state) ²		0.1-0.9 GHz		30		dB
		2.4-2.5 GHz		25		dB
		3.3-3.8 GHz		20		dB
		4.9-6.0 GHz		20		dB
Switching characteristics: Rise/fall time		10/90% or 90/10% RF		40		ns
		On/off time		80		ns
Video feedthrough				45		mV
Input power for 0.1 dB compression		f = 2.45 GHz				
		$V_{CTL} = 3.0\text{ V}$, $V_{CTL} = 1.8\text{ V}$		+33 +27		dBm dBm
Input IP3	IIP3	$P_{IN} = +17\text{ dBm/ tone}$, tone spacing = 1 MHz, f = 2.45 GHz		+52		dBm
2 nd harmonic	2fo	$P_{IN} = +22\text{ dBm CW}$, f = 2.45 GHz		-66		dBc
3 rd harmonic	3fo	$P_{IN} = +22\text{ dBm CW}$, f = 2.45 GHz		-60		dBc
Power dissipation		$V_{CTL} = 3.0\text{ V}$, $I_{CTL} = 5\text{ }\mu\text{A}$		15		μW
Supply current	I_{CTL}			5		μA

¹ Performance is guaranteed only under the conditions listed in this table.² Lower frequency return loss is dependent on the DC blocking capacitor value.

Typical Performance Characteristics

($V_{CTL} = 0\text{ V}$ and $+3.0\text{ V}$, $T_{OP} = +25\text{ }^{\circ}\text{C}$, $P_{IN} = 0\text{ dBm}$, Characteristic Impedance [Z_0] = $50\ \Omega$, Blocking Capacitors = 47 pF , Unless Otherwise Noted)

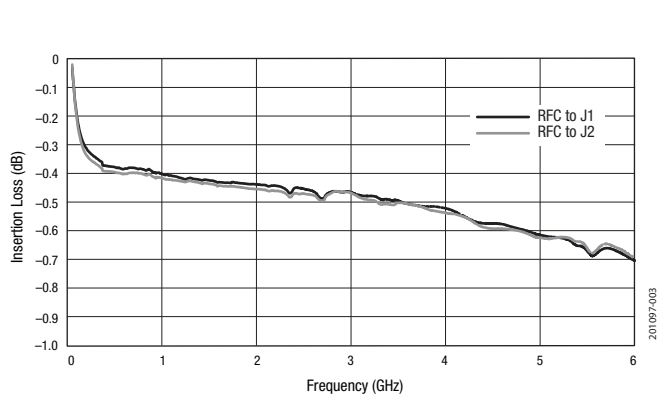


Figure 3. Typical Insertion Loss

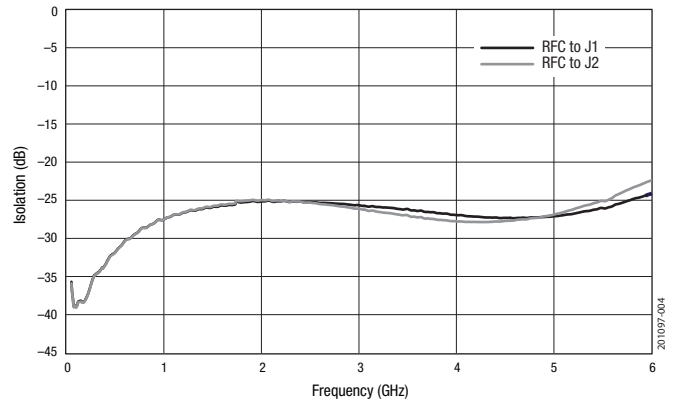


Figure 4. Typical Isolation

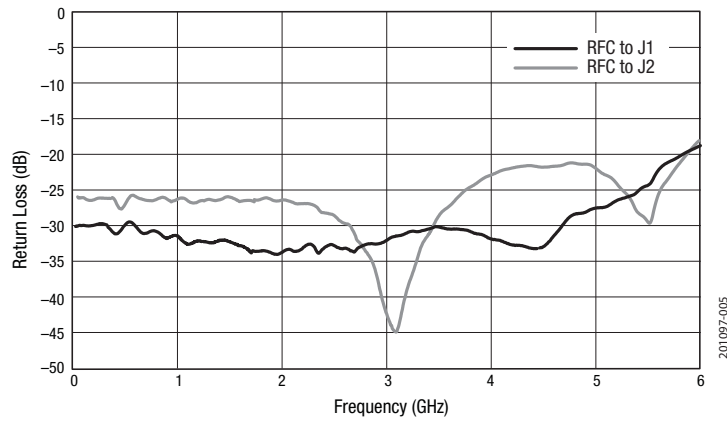


Figure 5. Typical Return Loss

Table 5. SKY13320-374LF Truth Table

V1 (Pin 1)	V2 (Pin 3)	RFC to J1 Path	RFC to J2 Path
1	0	Insertion loss	Isolation
0	1	Isolation	Insertion loss
1	1	undefined	undefined
0	0	undefined	undefined

¹ "1" = +1.8 V to +5 V. "0" = 0 V to +0.2 V. Any state other than described in this table places the switch into an undefined state. An undefined state will not damage the device.

Evaluation Board Description

The SKY13320-374LF Evaluation Board is used to test the performance of the SKY13320-374LF SPDT Switch. An Evaluation Board schematic diagram is provided in Figure 6. An assembly drawing for the Evaluation Board is shown in Figure 7.

Package Dimensions

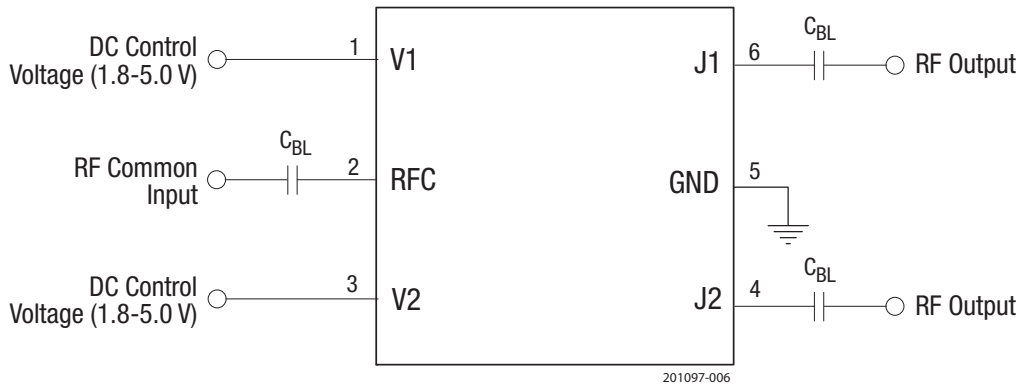
The PCB layout footprint for the SKY13320-374LF is provided in Figure 8. Typical part markings are shown in Figure 9. Package dimensions are shown in Figure 10, and tape and reel dimensions are provided in Figure 11.

Package and Handling Information

Instructions on the shipping container label regarding exposure to moisture after the container seal is broken must be followed. Otherwise, problems related to moisture absorption may occur when the part is subjected to high temperature during solder assembly.

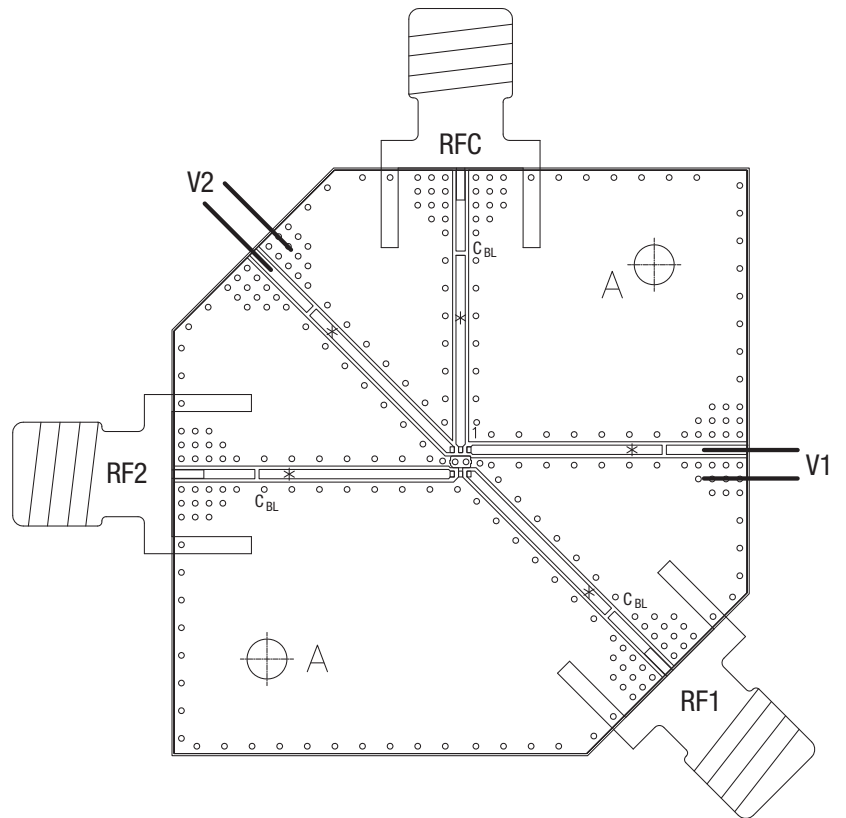
The SKY13320-374LF is rated to Moisture Sensitivity Level 1 (MSL1) at 260 °C. It can be used for lead or lead-free soldering. For additional information, refer to the Skyworks Application Note, *Solder Reflow Information*, document number 200164.

Care must be taken when attaching this product, whether it is done manually or in a production solder reflow environment. Production quantities of this product are shipped in a standard tape and reel format.



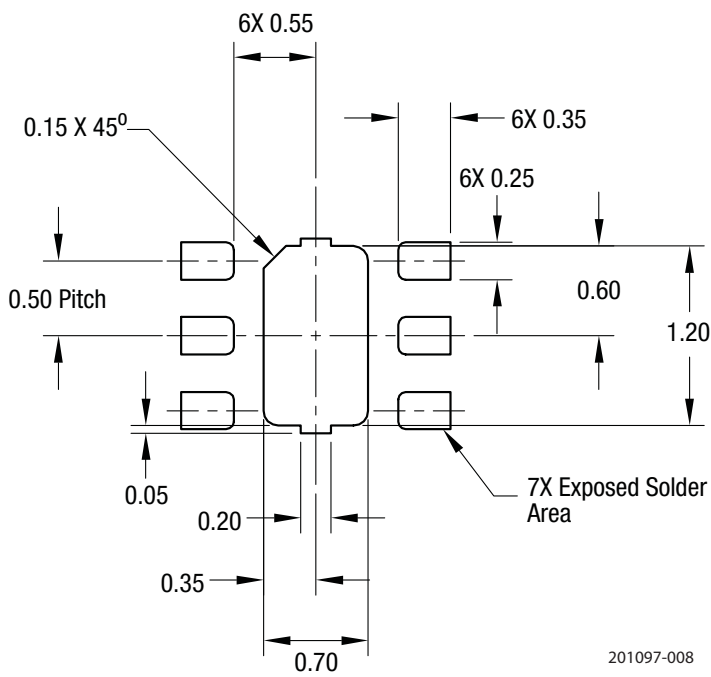
$C_{BL} = 47 \text{ pF}$ for >1 GHz operation.
Exposed ground paddle should be grounded for best performance.

Figure 6. SKY13320-374LF Evaluation Board Schematic



201097-007

Figure 7. SKY13320-374LF Evaluation Board Assembly Diagram



201097-008

Figure 8. SKY13320-374LF PCB Layout Footprint (Top View)

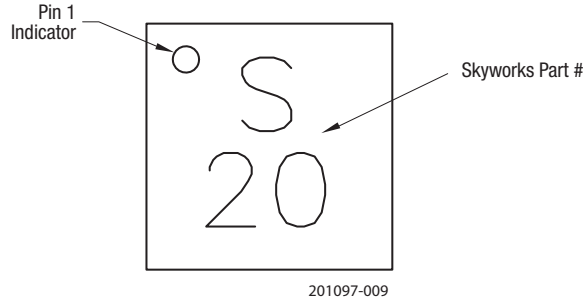
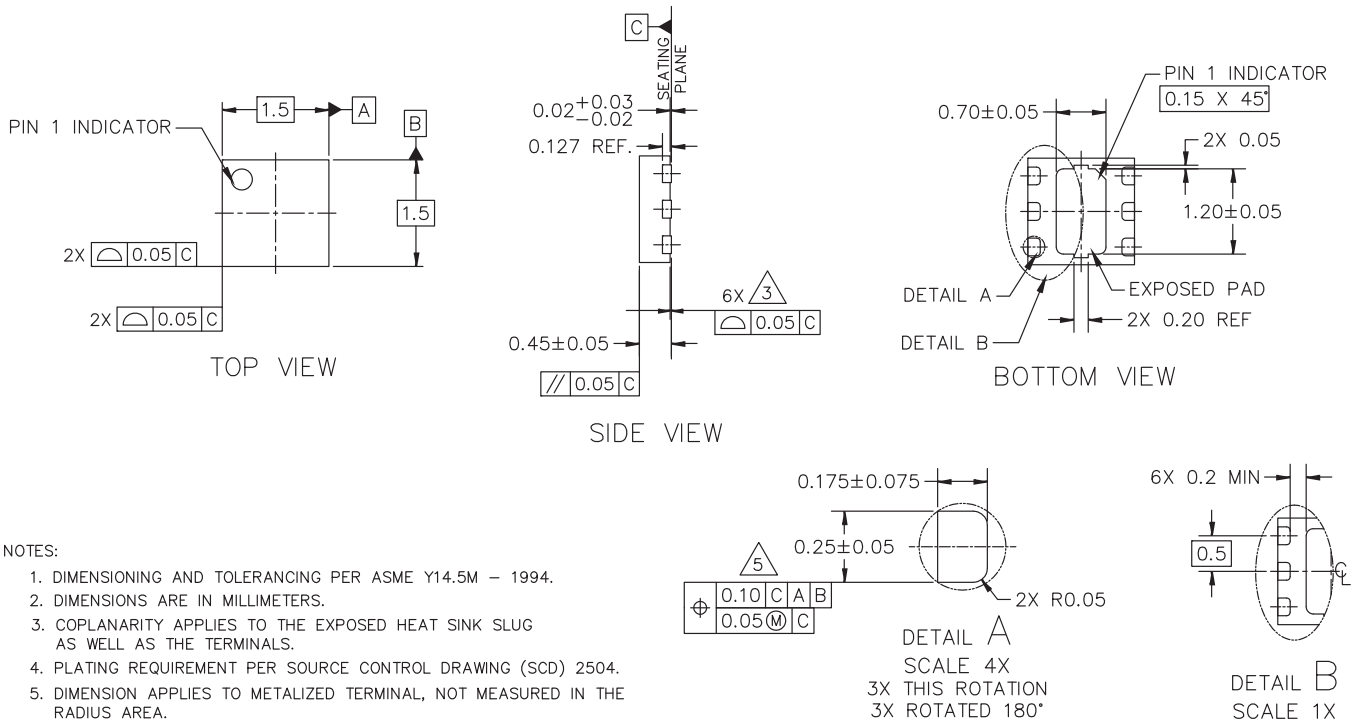


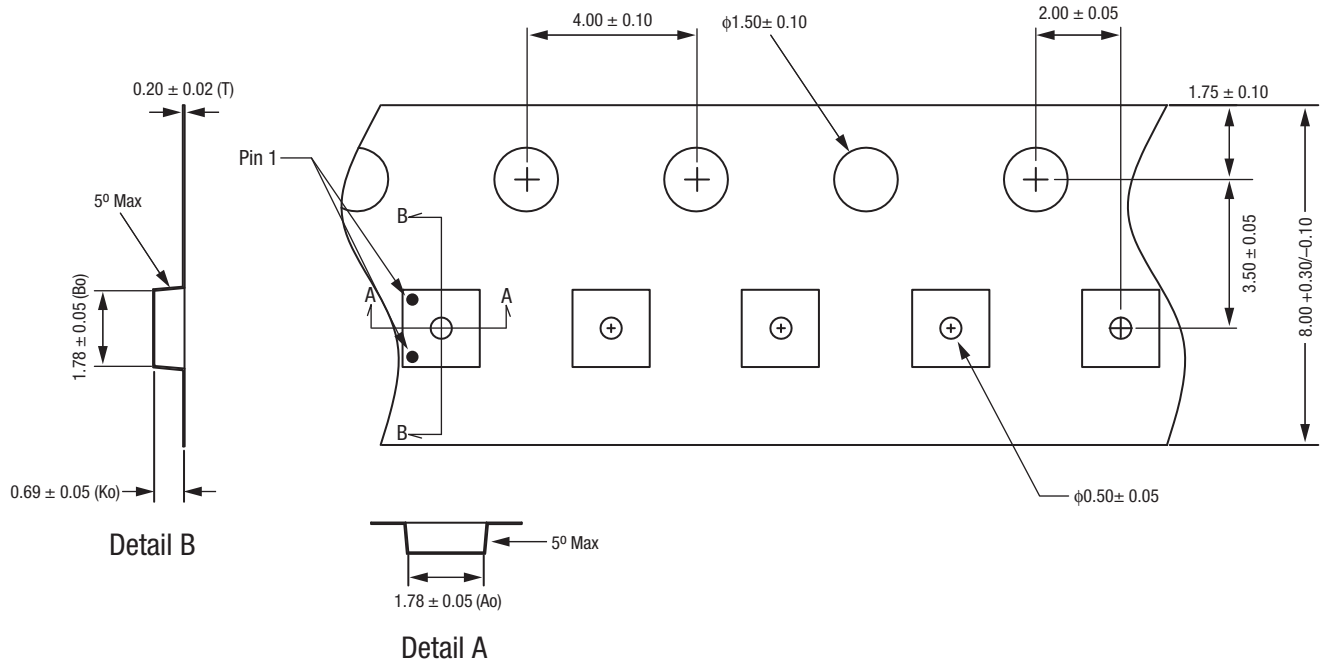
Figure 9. Typical Part Markings (Top View)



201097-010

Figure 10. SKY13320-374LF Package Dimensions

DATA SHEET • SKY13320-374LF: SPDT SWITCH



Notes:

1. Carrier tape: black conductive polycarbonate or polystyrene.
2. Cover tape material: transparent conductive PSA.
3. Cover tape size: 5.4 mm width.
4. All measurements are in millimeters.
5. Pin 1 orientation is in lower left corner for SOT-666 packages.
Pin 1 orientation is in upper left corner for 1.5 x 1.5 mm MLPD, QFN, and DFN packages.

201097-011

Figure 11. SKY13320-374LF Tape and Reel Dimensions

Ordering Information

Product Description	Product Part Number	Evaluation Board Part Number
SKY13320-374LF SPDT Switch	SKY13320-374LF	SKY13320-374LF-EVB

Copyright © 2009, 2010, 2012, 2017-2018 Skyworks Solutions, Inc. All Rights Reserved.

Information in this document is provided in connection with Skyworks Solutions, Inc. ("Skyworks") products or services. These materials, including the information contained herein, are provided by Skyworks as a service to its customers and may be used for informational purposes only by the customer. Skyworks assumes no responsibility for errors or omissions in these materials or the information contained herein. Skyworks may change its documentation, products, services, specifications or product descriptions at any time, without notice. Skyworks makes no commitment to update the materials or information and shall have no responsibility whatsoever for conflicts, incompatibilities, or other difficulties arising from any future changes.

No license, whether express, implied, by estoppel or otherwise, is granted to any intellectual property rights by this document. Skyworks assumes no liability for any materials, products or information provided hereunder, including the sale, distribution, reproduction or use of Skyworks products, information or materials, except as may be provided in Skyworks Terms and Conditions of Sale.

THE MATERIALS, PRODUCTS AND INFORMATION ARE PROVIDED "AS IS" WITHOUT WARRANTY OF ANY KIND, WHETHER EXPRESS, IMPLIED, STATUTORY, OR OTHERWISE, INCLUDING FITNESS FOR A PARTICULAR PURPOSE OR USE, MERCHANTABILITY, PERFORMANCE, QUALITY OR NON-INFRINGEMENT OF ANY INTELLECTUAL PROPERTY RIGHT; ALL SUCH WARRANTIES ARE HEREBY EXPRESSLY DISCLAIMED. SKYWORKS DOES NOT WARRANT THE ACCURACY OR COMPLETENESS OF THE INFORMATION, TEXT, GRAPHICS OR OTHER ITEMS CONTAINED WITHIN THESE MATERIALS. SKYWORKS SHALL NOT BE LIABLE FOR ANY DAMAGES, INCLUDING BUT NOT LIMITED TO ANY SPECIAL, INDIRECT, INCIDENTAL, STATUTORY, OR CONSEQUENTIAL DAMAGES, INCLUDING WITHOUT LIMITATION, LOST REVENUES OR LOST PROFITS THAT MAY RESULT FROM THE USE OF THE MATERIALS OR INFORMATION, WHETHER OR NOT THE RECIPIENT OF MATERIALS HAS BEEN ADVISED OF THE POSSIBILITY OF SUCH DAMAGE.

Skyworks products are not intended for use in medical, lifesaving or life-sustaining applications, or other equipment in which the failure of the Skyworks products could lead to personal injury, death, physical or environmental damage. Skyworks customers using or selling Skyworks products for use in such applications do so at their own risk and agree to fully indemnify Skyworks for any damages resulting from such improper use or sale.

Customers are responsible for their products and applications using Skyworks products, which may deviate from published specifications as a result of design defects, errors, or operation of products outside of published parameters or design specifications. Customers should include design and operating safeguards to minimize these and other risks. Skyworks assumes no liability for applications assistance, customer product design, or damage to any equipment resulting from the use of Skyworks products outside of stated published specifications or parameters.

Skyworks and the Skyworks symbol are trademarks or registered trademarks of Skyworks Solutions, Inc. or its subsidiaries in the United States and other countries. Third-party brands and names are for identification purposes only, and are the property of their respective owners. Additional information, including relevant terms and conditions, posted at www.skyworksinc.com, are incorporated by reference.

Компания «Life Electronics» занимается поставками электронных компонентов импортного и отечественного производства от производителей и со складов крупных дистрибьюторов Европы, Америки и Азии.

С конца 2013 года компания активно расширяет линейку поставок компонентов по направлению коаксиальный кабель, кварцевые генераторы и конденсаторы (керамические, пленочные, электролитические), за счёт заключения дистрибьюторских договоров

Мы предлагаем:

- Конкурентоспособные цены и скидки постоянным клиентам.
- Специальные условия для постоянных клиентов.
- Подбор аналогов.
- Поставку компонентов в любых объемах, удовлетворяющих вашим потребностям.
- Приемлемые сроки поставки, возможна ускоренная поставка.
- Доставку товара в любую точку России и стран СНГ.
- Комплексную поставку.
- Работу по проектам и поставку образцов.
- Формирование склада под заказчика.
- Сертификаты соответствия на поставляемую продукцию (по желанию клиента).
- Тестирование поставляемой продукции.
- Поставку компонентов, требующих военную и космическую приемку.
- Входной контроль качества.
- Наличие сертификата ISO.

В составе нашей компании организован Конструкторский отдел, призванный помогать разработчикам, и инженерам.

Конструкторский отдел помогает осуществить:

- Регистрацию проекта у производителя компонентов.
- Техническую поддержку проекта.
- Защиту от снятия компонента с производства.
- Оценку стоимости проекта по компонентам.
- Изготовление тестовой платы монтаж и пусконаладочные работы.



Тел: +7 (812) 336 43 04 (многоканальный)

Email: org@lifeelectronics.ru