



## Main

Range of product	Preventa Safety automation
Product or component type	Preventa safety module
Safety module name	XPSAXE
Safety module application	For emergency stop and switch monitoring
Safety level	Can reach PL e/category 4 conforming to EN/ISO 13849-1 Can reach SILCL 3 conforming to EN/IEC 62061
Safety reliability data	DC > 99 % conforming to EN/ISO 13849-1 PFHd = 3E-8 1/h conforming to EN/IEC 62061 MTTFd = 457 years conforming to EN/ISO 13849-1
Connections - terminals	Captive screw clamp terminals, removable terminal block, clamping capacity: 1 x 0.2...1 x 2.5 mm <sup>2</sup> solid cable without cable end Captive screw clamp terminals, removable terminal block, clamping capacity: 1 x 0.2...1 x 2.5 mm <sup>2</sup> flexible cable without cable end Captive screw clamp terminals, removable terminal block, clamping capacity: 1 x 0.25...1 x 2.5 mm <sup>2</sup> flexible cable with cable end, without bezel Captive screw clamp terminals, removable terminal block, clamping capacity: 1 x 0.25...1 x 1.5 mm <sup>2</sup> flexible cable with cable end, with bezel Captive screw clamp terminals, removable terminal block, clamping capacity: 2 x 0.2...2 x 1 mm <sup>2</sup> solid cable without cable end Captive screw clamp terminals, removable terminal block, clamping capacity: 2 x 0.2...2 x 1 mm <sup>2</sup> flexible cable without cable end Captive screw clamp terminals, removable terminal block, clamping capacity: 2 x 0.25...2 x 1 mm <sup>2</sup> flexible cable with cable end, without bezel Captive screw clamp terminals, removable terminal block, clamping capacity: 2 x 0.5...2 x 1.5 mm <sup>2</sup> flexible cable with cable end, with double bezel
Output type	Relay instantaneous opening 3 NO, volt-free
Number of additional circuits	1 NC
[Us] rated supply voltage	24 V 24 V DC (- 15...10 %)

## Complementary

Synchronisation time between inputs	< 0.5 s
Supply frequency	50/60 Hz
Power consumption in VA	<= 4 VA DC
[Uc] control circuit voltage	24 V DC
Breaking capacity	B300: 3600 VA, AC-15 (inrush) relay output B300: 360 VA, AC-15 (holding) relay output
Breaking capacity	1.5 A at 24 V (DC-13) time constant: 50 ms for relay output
Output thermal current	6 A instantaneous and time delay outputs
Associated fuse rating	6 A fuse type gG for instantaneous outputs
Minimum output current	10 mA relay output
Minimum output voltage	17 V relay output
Response time on input open	<= 80 ms
[Ui] rated insulation voltage	300 V (degree of pollution: 2) conforming to DIN VDE 0110 part 1 300 V (degree of pollution: 2) conforming to IEC 60947-5-1
[Uimp] rated impulse withstand voltage	4 kV overvoltage category III conforming to IEC 60947-5-1 4 kV overvoltage category III conforming to DIN VDE 0110 part 1
Local signalling	2 LEDs

The information provided in this documentation contains general descriptions and/or technical characteristics of the performance of the products contained herein. This documentation is not intended as a substitute for and is not to be used for determining suitability or reliability of these products for specific user applications. It is the duty of any such user or integrator to perform the appropriate and complete risk analysis, evaluation and testing of the products with respect to the relevant specific application or use thereof. Neither Schneider Electric Industries SAS nor any of its affiliates or subsidiaries shall be responsible or liable for misuse of the information contained herein.

Mounting support	35 mm symmetrical DIN rail
Product weight	0.5 lb(US) (0.229 kg)

## Environment

standards	EN 1088/ISO 14119 EN/IEC 60204-1 EN/IEC 60947-5-1 EN/ISO 13850
product certifications	BG CSA UL
IP degree of protection	IP40 conforming to EN/IEC 60529 IP20 conforming to EN/IEC 60529
ambient air temperature for operation	-13...131 °F (-25...55 °C)
ambient air temperature for storage	-13...167 °F (-25...75 °C)

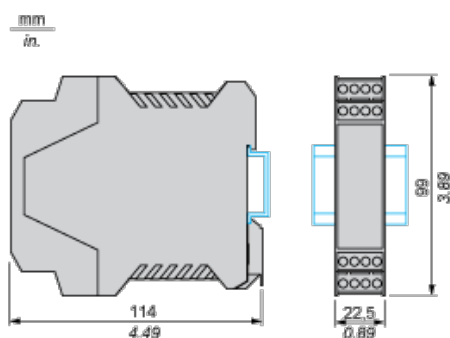
## Offer Sustainability

WARNING: This product can expose you to chemicals including:	WARNING: This product can expose you to chemicals including:
Lead and lead compounds, which is known to the State of California to cause cancer and birth defects or other reproductive harm.	Lead and lead compounds, which is known to the State of California to cause cancer and birth defects or other reproductive harm.
For more information go to <a href="http://www.p65warnings.ca.gov">www.p65warnings.ca.gov</a>	For more information go to <a href="http://www.p65warnings.ca.gov">www.p65warnings.ca.gov</a>

## Contractual warranty

Warranty period	18 months
-----------------	-----------

## Dimensions



Компания «Life Electronics» занимается поставками электронных компонентов импортного и отечественного производства от производителей и со складов крупных дистрибьюторов Европы, Америки и Азии.

С конца 2013 года компания активно расширяет линейку поставок компонентов по направлению коаксиальный кабель, кварцевые генераторы и конденсаторы (керамические, пленочные, электролитические), за счёт заключения дистрибьюторских договоров

Мы предлагаем:

- Конкурентоспособные цены и скидки постоянным клиентам.
- Специальные условия для постоянных клиентов.
- Подбор аналогов.
- Поставку компонентов в любых объемах, удовлетворяющих вашим потребностям.
- Приемлемые сроки поставки, возможна ускоренная поставка.
- Доставку товара в любую точку России и стран СНГ.
- Комплексную поставку.
- Работу по проектам и поставку образцов.
- Формирование склада под заказчика.
- Сертификаты соответствия на поставляемую продукцию (по желанию клиента).
- Тестирование поставляемой продукции.
- Поставку компонентов, требующих военную и космическую приемку.
- Входной контроль качества.
- Наличие сертификата ISO.

В составе нашей компании организован Конструкторский отдел, призванный помогать разработчикам, и инженерам.

Конструкторский отдел помогает осуществить:

- Регистрацию проекта у производителя компонентов.
- Техническую поддержку проекта.
- Защиту от снятия компонента с производства.
- Оценку стоимости проекта по компонентам.
- Изготовление тестовой платы монтаж и пусконаладочные работы.



Тел: +7 (812) 336 43 04 (многоканальный)

Email: [org@lifeelectronics.ru](mailto:org@lifeelectronics.ru)