

## Getting Started with the **EK1HMC6350** Evaluation Kit and Software

### FEATURES

60 GHz evaluation kit designed for quick evaluation of the **HMC6300** and **HMC6301** transmit/receive chipset  
Demonstration platform allows easy integration of the **HMC6300** and **HMC6301** radio link with a baseband modem for over the air transmission

### APPLICATIONS

Point to point millimeter wave radio development  
Wireless Gigabyte Alliance/IEEE 802.11ad radio  
60 GHz RF sniffing  
60 GHz signal generator  
Modem development  
Radar/high resolution Imaging

### EVALUATION KIT CONTENTS

- 1 **HMC6300** Tx 60 GHz transmitter motherboard/module assembly with a MMPX interface
  - 1 **HMC6301** Rx 60 GHz receiver motherboard/module assembly with a MMPX interface
  - 2 hand formable 2 inch coaxial cables with a male MMPX connector on one end and a 1.85 mm male connector on the other end
  - 1 **HMC6300** motherboard/TX module with crystal, USB interface, supply regulators, MCX connector and differential I/Q interface
  - 1 **HMC6301** motherboard/RX module with crystal, USB interface, supply regulators, MCX connector and differential I/Q interface
  - 2 wall-mount power supplies
  - 2 USB 2.0 male/male 6 foot cables
  - 8 phase matched MCX to SMA cables for baseband interface on both motherboards
- Evaluation software CD-ROM containing the **HMC6300/HMC6301 Graphical User Interface** software GUI

### EQUIPMENT NEEDED

2 PCs, one designated for each motherboard for GUI control  
Baseband source  
Spectrum analyzer

### DOCUMENTS NEEDED

**HMC6300** data sheet  
**HMC6301** data sheet

### GENERAL DESCRIPTION

The **EK1HMC6350** evaluation kit allows users to set up a half-duplex, 60 GHz millimeter wave link using standard baseband analog interfaces. MMPX and 1.85 mm connectors are provided to interface with third party test equipment or millimeter wave antennas. The **EK1HMC6350** evaluation kit includes a USB interface and graphical user interface (GUI) software, the **HMC6300/HMC6301 Graphical User Interface**, allowing the user to program the **HMC6300** and **HMC6301** by writing to the device registers.

There are two motherboards in the kit: an **HMC6300** motherboard with the TX module location populated and the **HMC6301** motherboard with the RX module location populated.

Full specifications on the **HMC6300** and **HMC6301** are available in the **HMC6300** and **HMC6301** data sheets, which should be consulted in conjunction with this user guide when working with the evaluation board.

## TABLE OF CONTENTS

Features .....	1	Attaching the Baseband Cables .....	3
Applications .....	1	Connecting the MMPX Cable to the HMC6301	
Evaluation Kit Contents .....	1	Motherboard/RX Module Assembly .....	5
Equipment Needed .....	1	Evaluation Board Software Quick Start Procedures .....	6
Documents Needed .....	1	Programming the HMC6300 TX Module .....	6
General Description .....	1	Programming the HMC6301 RX Module .....	9
Revision History .....	2	60 GHz Wireless Radio Link .....	12
Evaluation Board Hardware Setup .....	3		
Connecting the MMPX Cable To the HMC6300			
Motherboard/TX Module Assembly .....	3		

## REVISION HISTORY

7/2016—Revision 0: Initial Version

## EVALUATION BOARD HARDWARE SETUP

### CONNECTING THE MMPX CABLE TO THE HMC6300 MOTHERBOARD/TX MODULE ASSEMBLY

Remove the HMC6300 motherboard/TX module assembly from the kit. Snap the MMPX semirigid cable into the HMC6300 TX module output connector, shown in Figure 1. The 1.85 mm connector at the other end of the cable can interface with test equipment or a WR-15 waveguide transition to connect with third party antennas.

### ATTACHING THE BASEBAND CABLES

Attach the four phase-matched baseband cables supplied with the EK1HMC6350 evaluation kit to the Tx baseband inputs, and the baseband cables snap into place. Attach the other end of the baseband cables to the user selected baseband source.

The baseband source can be test equipment or a modem that generates a baseband tone or modulated I/Q signal. Connect the baseband inputs on the motherboard to the baseband I/Q source as follows:

- Motherboard BB\_IP connects to the I positive baseband output
- Motherboard BB\_IM connects to I negative baseband output
- Motherboard BB\_QP connects to Q positive baseband output
- Motherboard BB\_QM connects to Q negative baseband output

Locate the wall mounted power supply and USB connector supplied in the kit and connect them to the HMC6300 motherboard/TX module assembly, shown in Figure 1 and Figure 2.

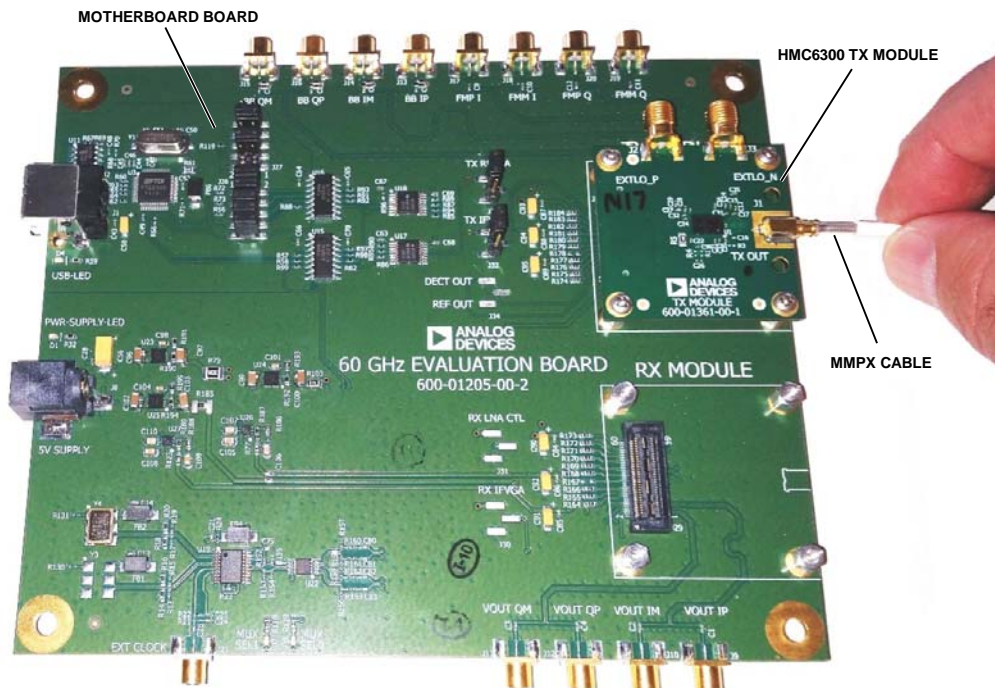


Figure 1. HMC6300 Assembly with the Motherboard Populated with the TX Module

14834-001

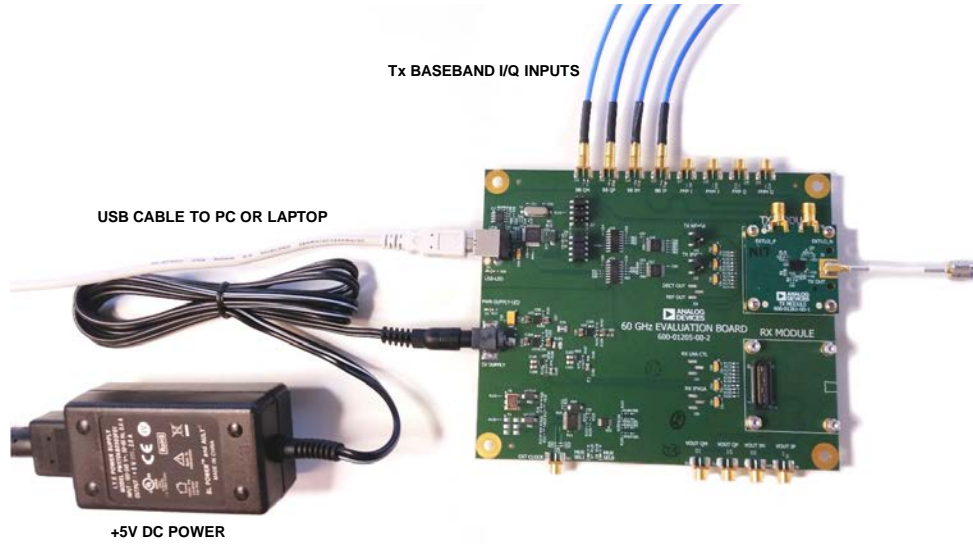


Figure 2. [HMC6300](#) Motherboard/TX Module Assembly with USB, DC Power, and I/Q Cables Installed

14834-002

**CONNECTING THE MMPX CABLE TO THE HMC6301 MOTHERBOARD/RX MODULE ASSEMBLY**

Locate the motherboard with the HMC6301 Rx receiver module installed. Snap the MMPX semirigid cable into the HMC6301 RX module output connector, shown in Figure 1. The 1.85 mm connector at the other end of the cable can interface with a test equipment or a WR-15 waveguide transition to connect with third party antennas.

Attach the four phase-matched baseband cables supplied with the EK1HMC6350 evaluation kit to the Rx baseband outputs, the baseband cables snap into place.

Attach the other end of the baseband cables to baseband test equipment or a modem that processes a baseband tone or modulated I/Q signal. Connect the baseband inputs on the motherboard to the baseband I/Q source as follows:

- Motherboard VOUT\_IP connects to I positive baseband input
- Motherboard VOUT\_IM connects to I negative baseband input
- Motherboard VOUT\_QP connects to Q positive baseband input
- Motherboard VOUT\_QM connects to Q negative baseband input

Locate the wall-mounted power supply and USB connector supplied in the EK1HMC6350 evaluation kit and connect them to the HMC6301 motherboard/RX module assembly, shown in Figure 3.

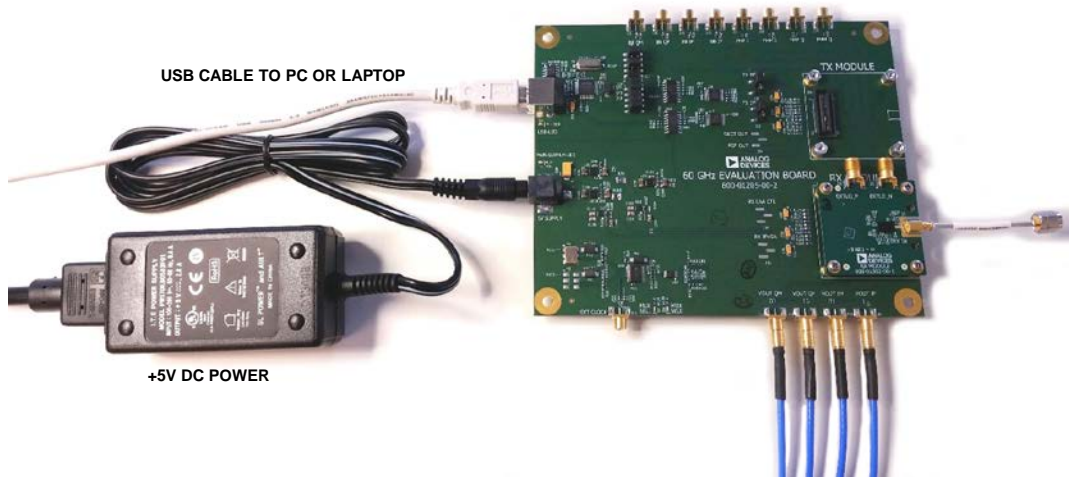


Figure 3. HMC6301 Assembly with the Motherboard Populated with the RX Module

14854-003

## EVALUATION BOARD SOFTWARE QUICK START PROCEDURES

### PROGRAMMING THE HMC6300 TX MODULE

Install the [HMC6300/HMC6301 Graphical User Interface](#) software on the primary PC and plug in the USB cable connected to the [HMC6300](#) motherboard assembly.

Open the **SoC 60 GHz Tx Control Panel** window by going to the **ADI Directory** in **Program Files** under the Windows® Start menu. When the **SoC 60 GHz Tx Control Panel** window opens, click the **Advanced** button (see Figure 4).

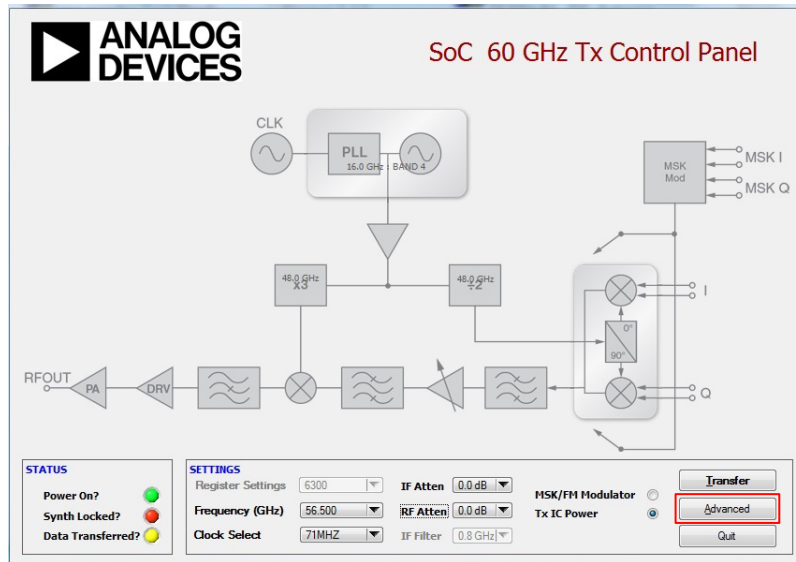


Figure 4. SoC 60 GHz Tx Control Panel Window for the HMC6300 Tx GUI

When the **SoC 60GHz Tx Advanced Control Panel** appears, perform the following steps (see Figure 5):

1. Select the carrier frequency desired from the **Frequency (GHz)** drop-down menu.
2. Click the **Transfer** button and the **HMC6300** device programs and locks to the desired frequency.

3. If the **HMC6300** device is successfully programmed, the **R/W** LED under **PLL Settings** turns green, indicating the read/write operation is properly executed. If the device locks to the selected frequency, the **Locked?** LED under the **PLL Settings** turns green (see Figure 6).

Figure 6 shows a successful data transfer and synthesizer lock. The transmitter then functions at full power on the selected channel. The Tx IF and RF attenuators, under the **Filtering/Attenuation Settings**, can be applied to reduce the Tx output power, if required.

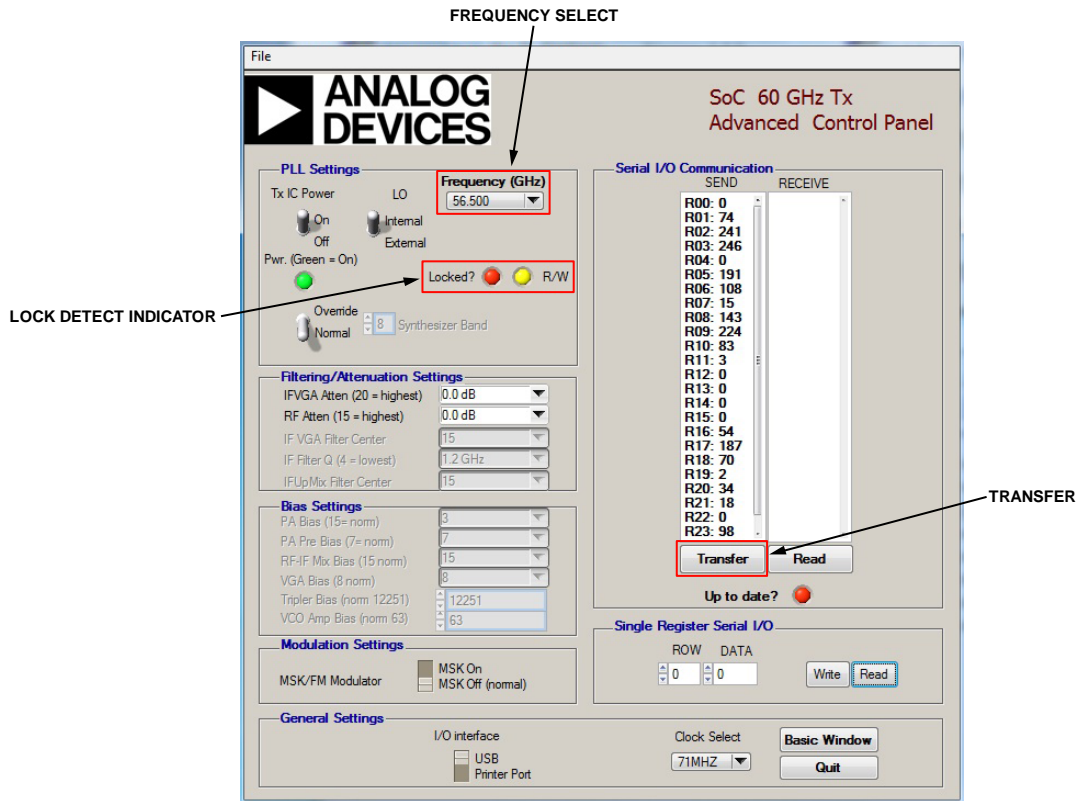


Figure 5. SoC 60GHz Tx Advanced Control Panel Window for the HMC6300 Tx GUI

14834-005

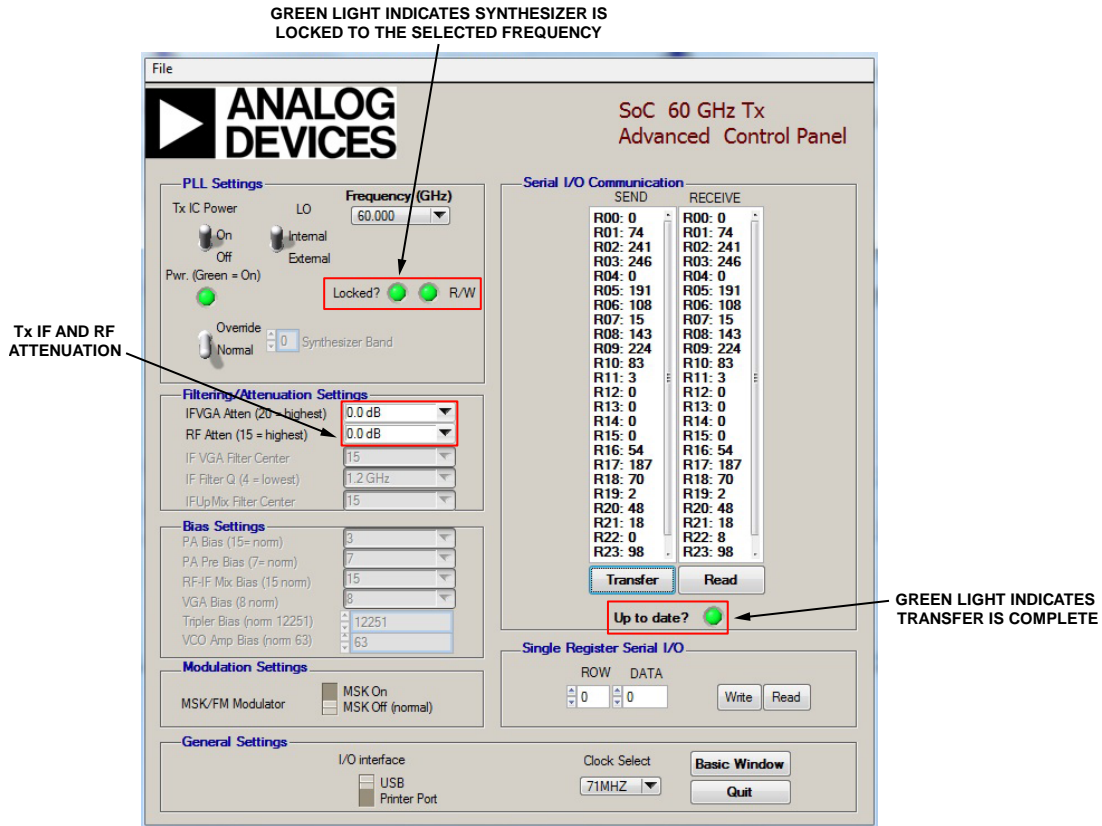


Figure 6. SoC 60GHz Tx Advanced Control Panel Window for the HMC6300 Tx GUI After Successfully Programming the HMC6300 to 60 GHz



**PROGRAMMING THE HMC6301 RX MODULE**

Install the [HMC6300/HMC6301 Graphical User Interface](#) software on the primary PC and plug in the USB cable connected to the [HMC6301](#) motherboard assembly. Open the **SoC 60 GHz Rx Control Panel** window by going to the **ADI Directory** in **Program Files** under the Windows **Start** menu. When the **SoC 60 GHz Rx Control Panel** window opens, click the **Advanced** button (see Figure 7). When the **SoC 60 GHz Rx Advanced Control Panel** window appears, perform the following steps (see Figure 8):

1. Select the carrier frequency desired from the **Frequency (GHz)** drop-down menu.
2. Click the **Transfer** button and the [HMC6301](#) device programs and locks to the desired frequency. If the [HMC6301](#) device is successfully programed, the **R/W LED** under **PLL Settings** turns green, indicating the read/write operation is properly executed. If the device locks to the selected frequency, the **Locked? LED** under the **PLL Settings** also turns green (see Figure 9).

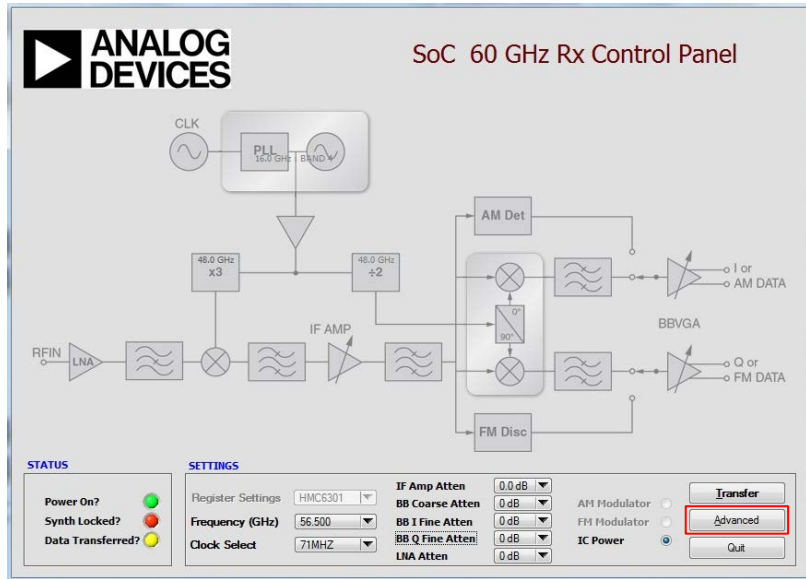


Figure 7. SoC 60 GHz Tx Control Panel Window for the HMC6301 Rx GUI

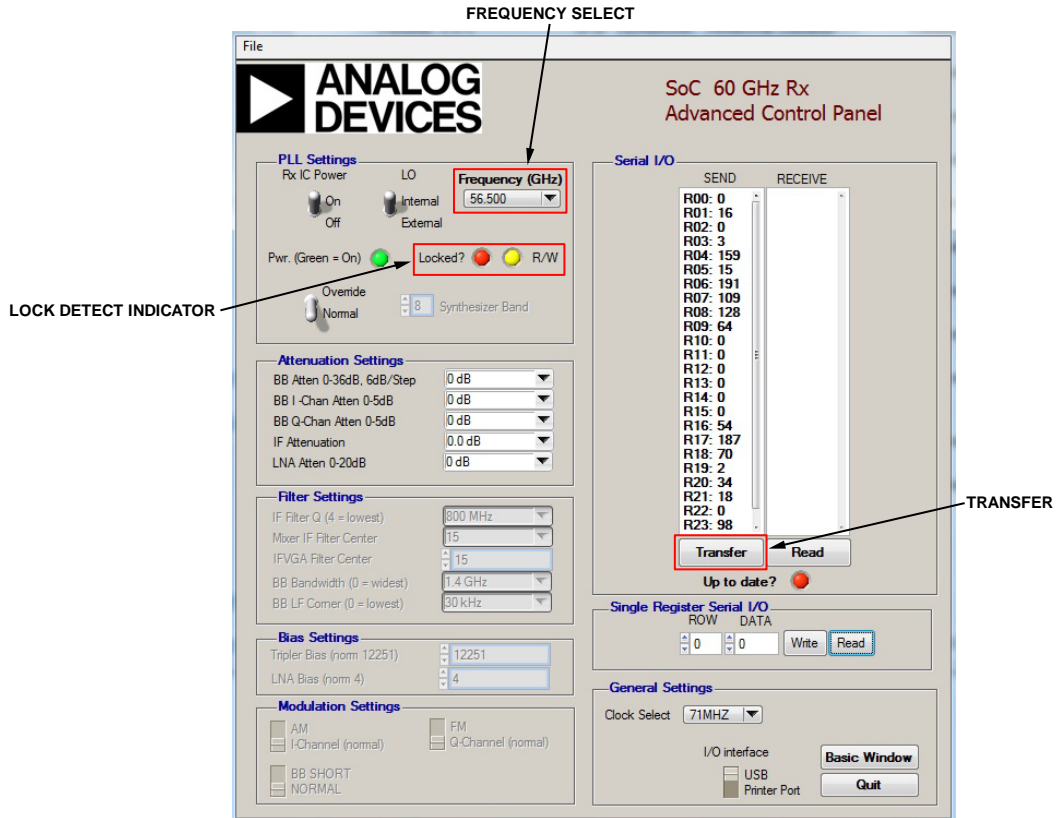


Figure 8. SoC 60GHz Tx Advanced Control Panel for the HMC6301 Rx GUI.

14834-008

Figure 9 shows a successful data transfer and synthesizer lock. The receiver then functions on the selected channel. The Rx baseband, IF attenuation, and LNA attenuation, under the

**Attenuation Settings**, must be adjusted to optimize the receiver gain to meet the signal-to-noise requirements at the Rx baseband output.

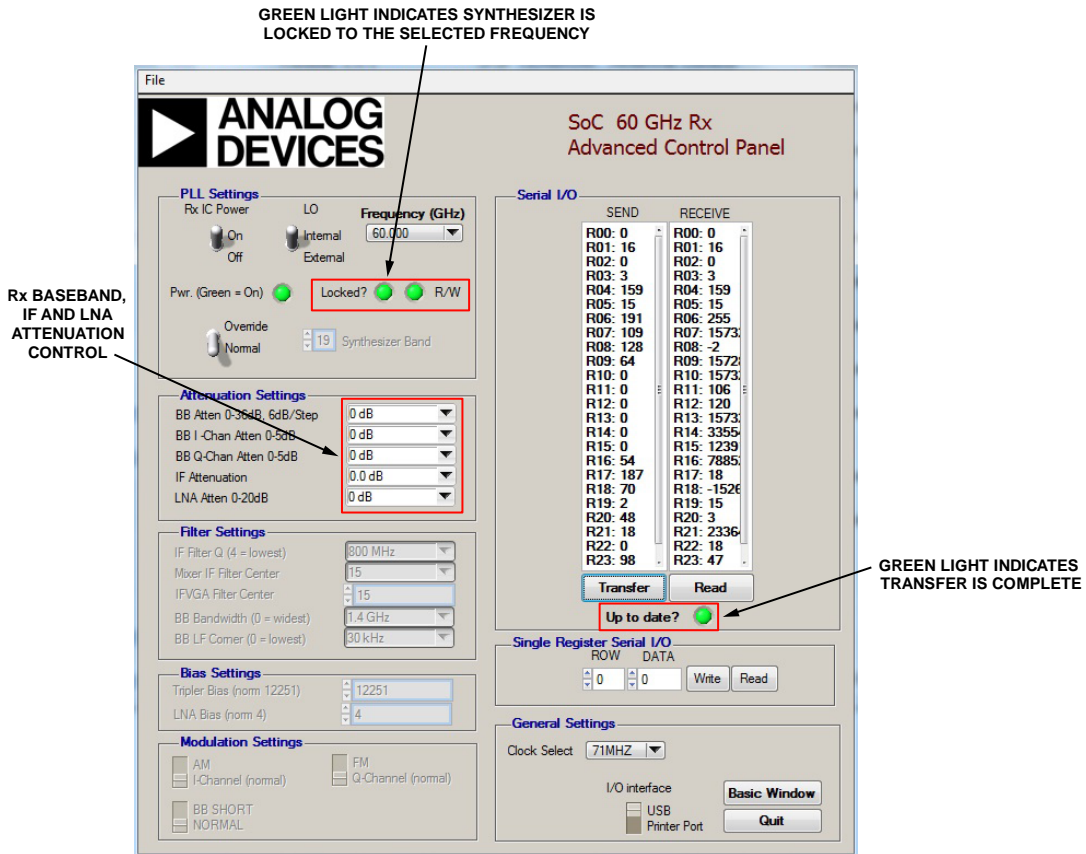


Figure 9. SoC 60GHz Tx Advanced Control Panel Window for the HMC6301 Rx GUI After Successfully Programming the HMC6301 to 60 GHz

14834-009

## 60 GHZ WIRELESS RADIO LINK

Figure 10 shows a typical half-duplex, 60 GHz link integrated with horn antennas. The modem can connect to the Tx baseband inputs and the Rx baseband outputs.

This configuration is typically used for integration with a baseband modem for 60 GHz over air testing. This allows for testing and characterization of the [HMC6300](#) and [HMC6301](#) devices.



Figure 10. Typical [HMC6300](#) and [HMC6301](#) 60 GHz Radio Link



### ESD Caution

**ESD (electrostatic discharge) sensitive device.** Charged devices and circuit boards can discharge without detection. Although this product features patented or proprietary protection circuitry, damage may occur on devices subjected to high energy ESD. Therefore, proper ESD precautions should be taken to avoid performance degradation or loss of functionality.

### Legal Terms and Conditions

By using the evaluation board discussed herein (together with any tools, components documentation or support materials, the "Evaluation Board"), you are agreeing to be bound by the terms and conditions set forth below ("Agreement") unless you have purchased the Evaluation Board, in which case the Analog Devices Standard Terms and Conditions of Sale shall govern. Do not use the Evaluation Board until you have read and agreed to the Agreement. Your use of the Evaluation Board shall signify your acceptance of the Agreement. This Agreement is made by and between you ("Customer") and Analog Devices, Inc. ("ADI"), with its principal place of business at One Technology Way, Norwood, MA 02062, USA. Subject to the terms and conditions of the Agreement, ADI hereby grants to Customer a free, limited, personal, temporary, non-exclusive, non-sublicensable, non-transferable license to use the Evaluation Board FOR EVALUATION PURPOSES ONLY. Customer understands and agrees that the Evaluation Board is provided for the sole and exclusive purpose referenced above, and agrees not to use the Evaluation Board for any other purpose. Furthermore, the license granted is expressly made subject to the following additional limitations: Customer shall not (i) rent, lease, display, sell, transfer, assign, sublicense, or distribute the Evaluation Board; and (ii) permit any Third Party to access the Evaluation Board. As used herein, the term "Third Party" includes any entity other than ADI, Customer, their employees, affiliates and in-house consultants. The Evaluation Board is NOT sold to Customer; all rights not expressly granted herein, including ownership of the Evaluation Board, are reserved by ADI. CONFIDENTIALITY. This Agreement and the Evaluation Board shall all be considered the confidential and proprietary information of ADI. Customer may not disclose or transfer any portion of the Evaluation Board to any other party for any reason. Upon discontinuation of use of the Evaluation Board or termination of this Agreement, Customer agrees to promptly return the Evaluation Board to ADI. ADDITIONAL RESTRICTIONS. Customer may not disassemble, decompile or reverse engineer chips on the Evaluation Board. Customer shall inform ADI of any occurred damages or any modifications or alterations it makes to the Evaluation Board, including but not limited to soldering or any other activity that affects the material content of the Evaluation Board. Modifications to the Evaluation Board must comply with applicable law, including but not limited to the RoHS Directive. TERMINATION. ADI may terminate this Agreement at any time upon giving written notice to Customer. Customer agrees to return to ADI the Evaluation Board at that time. LIMITATION OF LIABILITY. THE EVALUATION BOARD PROVIDED HEREUNDER IS PROVIDED "AS IS" AND ADI MAKES NO WARRANTIES OR REPRESENTATIONS OF ANY KIND WITH RESPECT TO IT. ADI SPECIFICALLY DISCLAIMS ANY REPRESENTATIONS, ENDORSEMENTS, GUARANTEES, OR WARRANTIES, EXPRESS OR IMPLIED, RELATED TO THE EVALUATION BOARD INCLUDING, BUT NOT LIMITED TO, THE IMPLIED WARRANTY OF MERCHANTABILITY, TITLE, FITNESS FOR A PARTICULAR PURPOSE OR NON-INFRINGEMENT OF INTELLECTUAL PROPERTY RIGHTS. IN NO EVENT WILL ADI AND ITS LICENSORS BE LIABLE FOR ANY INCIDENTAL, SPECIAL, INDIRECT, OR CONSEQUENTIAL DAMAGES RESULTING FROM CUSTOMER'S POSSESSION OR USE OF THE EVALUATION BOARD, INCLUDING BUT NOT LIMITED TO LOST PROFITS, DELAY COSTS, LABOR COSTS OR LOSS OF GOODWILL. ADI'S TOTAL LIABILITY FROM ANY AND ALL CAUSES SHALL BE LIMITED TO THE AMOUNT OF ONE HUNDRED US DOLLARS (\$100.00). EXPORT. Customer agrees that it will not directly or indirectly export the Evaluation Board to another country, and that it will comply with all applicable United States federal laws and regulations relating to exports. GOVERNING LAW. This Agreement shall be governed by and construed in accordance with the substantive laws of the Commonwealth of Massachusetts (excluding conflict of law rules). Any legal action regarding this Agreement will be heard in the state or federal courts having jurisdiction in Suffolk County, Massachusetts, and Customer hereby submits to the personal jurisdiction and venue of such courts. The United Nations Convention on Contracts for the International Sale of Goods shall not apply to this Agreement and is expressly disclaimed.

Компания «Life Electronics» занимается поставками электронных компонентов импортного и отечественного производства от производителей и со складов крупных дистрибьюторов Европы, Америки и Азии.

С конца 2013 года компания активно расширяет линейку поставок компонентов по направлению коаксиальный кабель, кварцевые генераторы и конденсаторы (керамические, пленочные, электролитические), за счёт заключения дистрибьюторских договоров

Мы предлагаем:

- Конкурентоспособные цены и скидки постоянным клиентам.
- Специальные условия для постоянных клиентов.
- Подбор аналогов.
- Поставку компонентов в любых объемах, удовлетворяющих вашим потребностям.
- Приемлемые сроки поставки, возможна ускоренная поставка.
- Доставку товара в любую точку России и стран СНГ.
- Комплексную поставку.
- Работу по проектам и поставку образцов.
- Формирование склада под заказчика.
- Сертификаты соответствия на поставляемую продукцию (по желанию клиента).
- Тестирование поставляемой продукции.
- Поставку компонентов, требующих военную и космическую приемку.
- Входной контроль качества.
- Наличие сертификата ISO.

В составе нашей компании организован Конструкторский отдел, призванный помогать разработчикам, и инженерам.

Конструкторский отдел помогает осуществить:

- Регистрацию проекта у производителя компонентов.
- Техническую поддержку проекта.
- Защиту от снятия компонента с производства.
- Оценку стоимости проекта по компонентам.
- Изготовление тестовой платы монтаж и пусконаладочные работы.



Тел: +7 (812) 336 43 04 (многоканальный)  
Email: [org@lifeelectronics.ru](mailto:org@lifeelectronics.ru)