

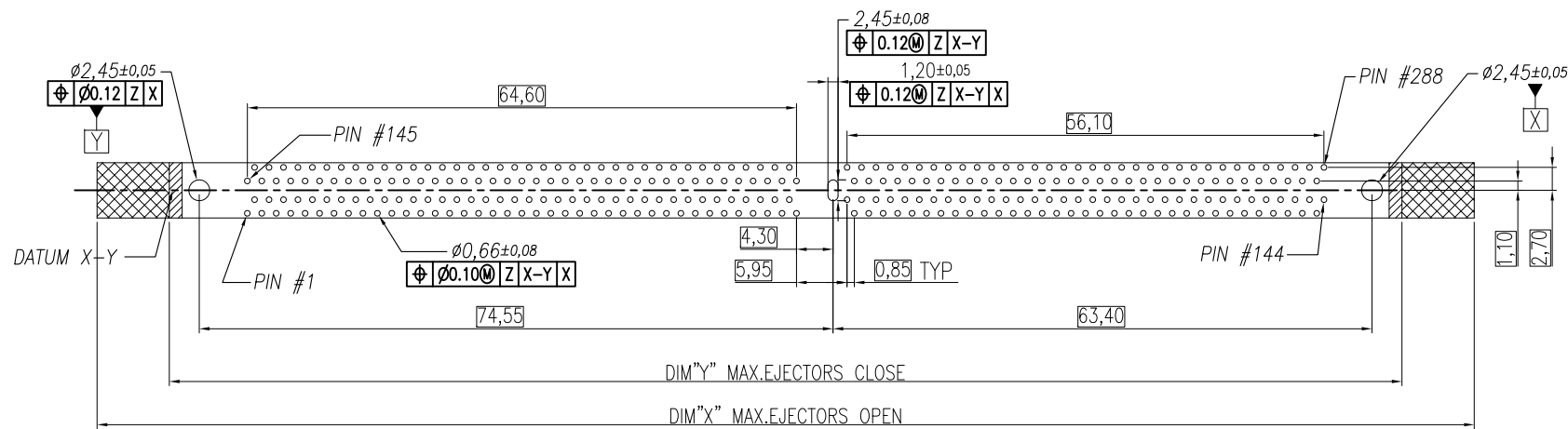
This document is the property of Amphenol Corporation and is delivered on the express condition that it is not to be disclosed, reproduced or used, in whole or in part, for manufacture or sale by anyone other than Amphenol Corporation without its prior consent, & that no right is granted to disclose or to use any information in this document.

PRO/E GENERATED DRAWING, DO NOT CHANGE BY HAND

CUSTOMER DRAWING

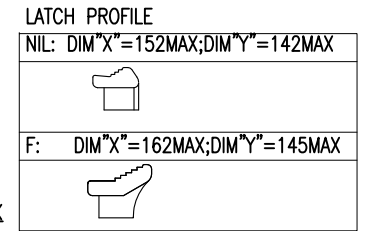
REVISIONS

SYM	ECN	DESCRIPTION	DATE	APPROVED
1	HK--	First Release	12/16/13	IP
2	HK--	Added latch option and some dimensions, and modified the q'ty of packing	08/21/14	IP
3	HK--	Added dimensions per customer's requirement	08/26/14	IP
4	HK--	Added color options	01/06/15	IP
5	HK--	Added a dimension and latch profile	01/26/15	IP

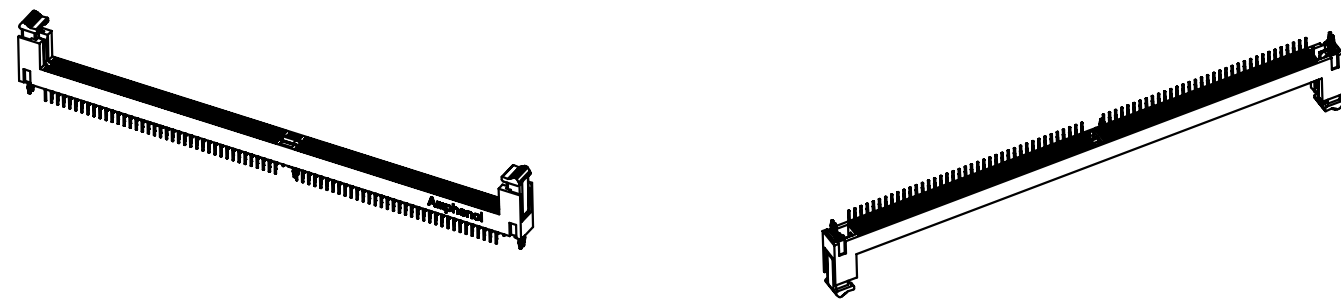


NOTES:

- MATERIAL:**
HOUSING: HIGH TEMPERATURE THERMAL PLASTIC, OPTION, UL94V-0, COLOR: OPTION.
LATCH: HIGH TEMPERATURE THERMAL PLASTIC, OPTION, UL94V-0. COLOR: OPTION.
TERMINAL: COPPER ALLOY.
BOARDLOCK: COPPER ALLOY.
- FINISH:**
TERMINAL:
CONTACT AREA: SELECTED GOLD PLATING;
SOLDERING AREA: MATTE TIN PLATING 100 μ" THICKNESS MIN.;
UNDER PLATING: NICKEL PLATING 50 μ" THICKNESS MIN. OVERALL
BOARDLOCK:
NICKEL PLATING 80 μ" THICKNESS MIN.;
- PACKING:** PK5-ZDDR4-001, MPQ: 480pcs
- THIS PRODUCT IS HALOGEN-FREE COMPLIANT PRODUCT.
- Order p/n system:
DDR4-288-V-XX-X-X-T-X
DOUBLE DATA RATE 4 SERIES
NO. OF POSITIONS: 288 POS.
VERTICAL
SEQUENCE NUMBER:
{DIP OPTION (DIMA, DIMB, PCB)}
01: DIP=2.10MM, 3.94MM, 1.57 PCB
02: DIP=2.67MM, 3.94MM, 1.57 PCB
03: DIP=2.95MM, 4.60MM, 2.36 PCB
04: DIP=3.18MM, 4.60MM, 2.36 PCB
HOUSING/LATCH COLOR
1: NYLON, BLACK/ NYLON, BLACK
2: NYLON, BLACK/ NYLON, NATURAL(IVORY)
3: NYLON, NATURAL(IVORY)/ NYLON, BLACK
4: NYLON, NATURAL(IVORY)/ NYLON, NATURAL(IVORY)
5: NYLON, BLUE/ NYLON, NATURAL(IVORY)
6: NYLON, GREEN/ NYLON, NATURAL(IVORY)
7: NYLON, BLUE/ NYLON, BLUE
8: NYLON, YELLOW/ NYLON, NATURAL(IVORY)



- LATCH OPTION/REMARK:
NIL: DIM "X"=152MAX;DIM"Y"=142MAX
F: DIM"X"=162MAX;DIM"Y"=145MAX
- PACKAGE CODE:
T: TRAY
- CONTACT PLATED
0: GOLD FLASH
1: 15 μ" GOLD
2: 20 μ" GOLD
3: 30 μ" GOLD
4: 3 μ" GOLD OVER 12 μ" PdNi
5: 3 μ" GOLD OVER 27 μ" PdNi



PART NO.	DIM."A"	DIM."B"	PCB THK
DDR4288V01XXTX	2.10	3.94	1.57
DDR4288V02XXTX	2.67	3.94	1.57
DDR4288V03XXTX	2.95	4.60	2.36
DDR4288V04XXTX	3.18	4.60	2.36

UNLESS OTHERWISE SPECIFIED TOLERANCES		APPROVAL		DATE
U.S.	METRIC	DRAWN	Acon.Dal	01/26/15
0.0	+/-	CHECKED	Dam.he	01/26/15
0.00	+/-	CHECKED		
0.000	+/-			
FRACTIONS	+/-			
ANGLES	+/-			

Amphenol
Amphenol East Asia Limited

TITLE: Customer drawing For DDR4 Series, 288 pos., 0.85 pitch Vertical Dip Type

SIZE: A3
DRAWING NO.: DDR4-288-V-XX-X-X-T-X
REV.: 5

SCALE: N/A
SHEET 1 OF 3



This document is the property of Amphenol Corporation and is delivered on the express condition that it is not to be disclosed, reproduced or used, in whole or in part, for manufacture or sale by anyone other than Amphenol Corporation without its prior consent, & that no right is granted to disclose or to use any information in this document.

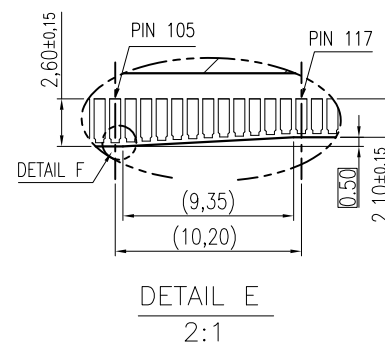
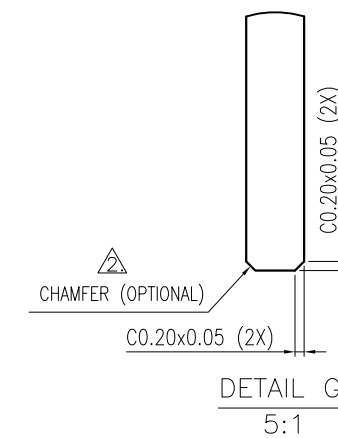
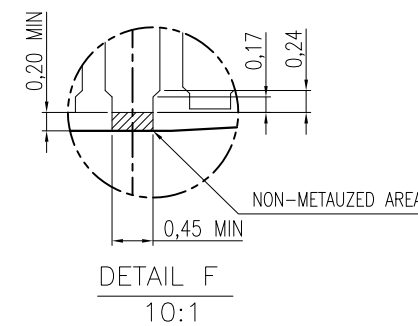
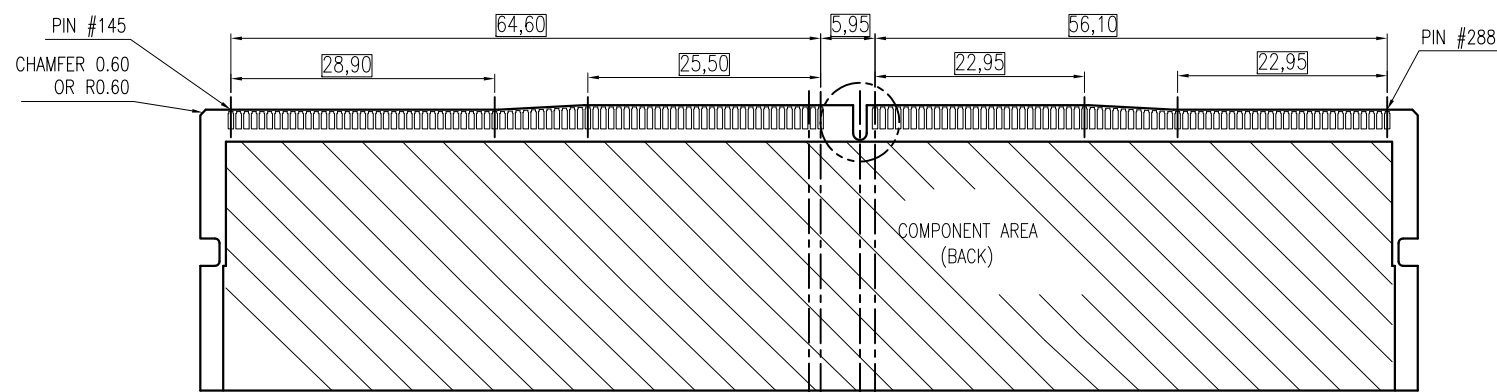
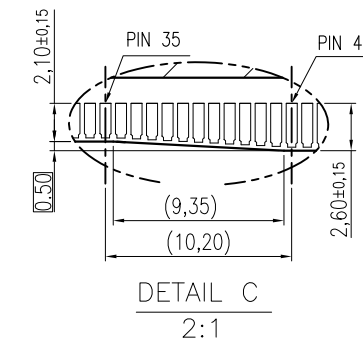
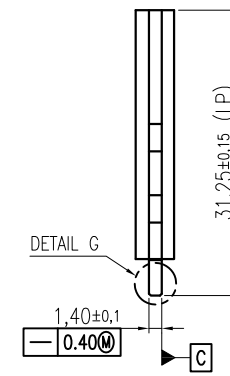
PRO/E GENERATED DRAWING, DO NOT CHANGE BY HAND

CUSTOMER DRAWING

REVISIONS				
SYM	ECN	DESCRIPTION	DATE	APPROVED
SEE SHEET 1				

NOTES:

- RECOMMENDED PLATING FOR CONTACT PADS:
 PREFERRED: 0.76 MICROMETERS GOLD PLATING MIN.
 OVER 2.00 MICROMETERS NICKEL.
 ALTERNATIVE: 0.05~0.75 MICROMETERS GOLD PLATING
 OVER 2.00 MICROMETERS NICKEL MUST USE AN ELECTRONIC
 CONTACT GRADE CORROSIVE BARRIER LUBRICANT.
 △ CHAMFER IS OPTIONAL AND IS NOT TO HIT GOLD PADS.



UNLESS OTHERWISE SPECIFIED TOLERANCES		APPROVAL		DATE	Amphenol Amphenol East Asia Limited
U.S.	METRIC	DRAWN	ACON.DAT	01/26/15	
0.0	+/-	0.30	CHECKED	Dam.he	01/26/15
0.00	+/-	0.20	CHECKED		
0.000	+/-	0.10			
FRACTIONS +/-		DRAWING FILE :		TITLE	
ANGLES +/-		FOR MATERIALS AND FINISHES SEE NOTES		Customer drawing For DDR4 Series, 288 pos., 0.85 pitch Vertical Dip Type	
REMOVE SHARP EDGES		ANGLE OF PROJECTION		SIZE	
DIMENSIONS		U.S. INCHES		DRAWING NO.	
(METRIC)		(MM)		A3	
				SCALE	
				N/A	
				SHEET 2 OF 3	
				REV. 5	

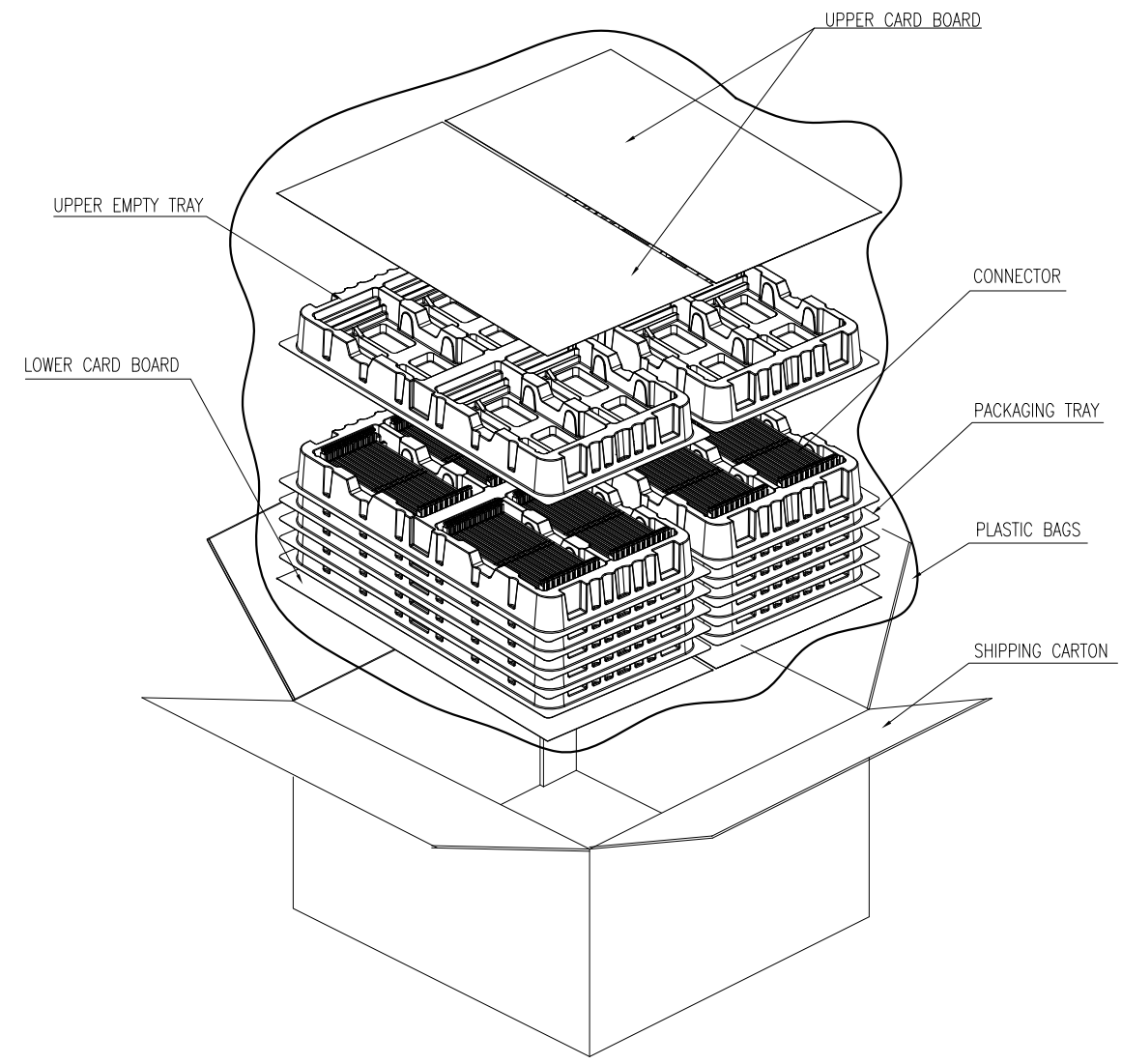


This document is the property of Amphenol Corporation and is delivered on the express condition that it is not to be disclosed, reproduced or used, in whole or in part, for manufacture or sale by anyone other than Amphenol Corporation without its prior consent, & that no right is granted to disclose or to use any information in this document.

PRO/E GENERATED DRAWING,DO NOT CHANGE BY HAND

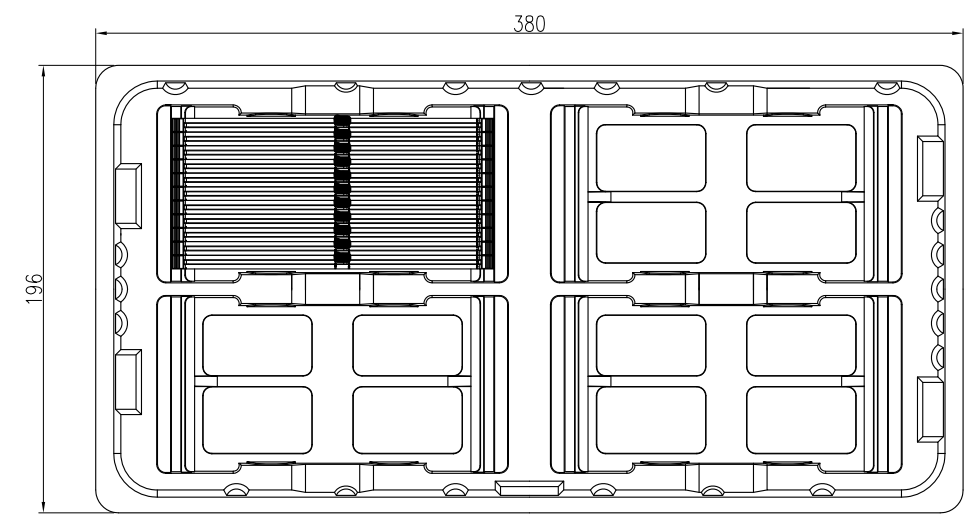
CUSTOMER DRAWING

REVISIONS					
SYM	ECN	DESCRIPTION	DATE	APPROVED	
SEE SHEET 1					



NOTES:
 1. IN THE 14 PLASTIC TRAYS ,THE TWO TOP PLASTIC TRAYS ARE TO COVER THE CONNECTORS ,THE OTHERS ARE FILLED WITH CONNECTORS.

TOTEL TRAY PER CARTON	QT'Y/TRAY	QT'Y/SHIPPING CARTON	PLASTIC BAGS QT'Y /SHIPPING CARTON	G.W.	N.W.
14	40	480	1	5.2 KGf	3.2 KGf



UNLESS OTHERWISE SPECIFIED TOLERANCES		APPROVAL		DATE	Amphenol Amphenol East Asia Limited TITLE Customer drawing For DDR4 Series, 288 pos.,0.85 pitch Vertical Dip Type	
	U.S.	METRIC	DRAWN	Acon.Dal		01/26/15
0.0	+/-	0.30	CHECKED	Dam.he		01/26/15
0.00	+/-	0.20	CHECKED			
0.000	+/-	0.10				
FRACTIONS +/-		1"	DRAWING FILE :			
ANGLES +/-			\\DRAWING\DDR4\DDR4288V\0000TX-S			
FOR MATERIALS AND FINISHES SEE NOTES		REMOVE SHARP EDGES				
DIMENSIONS		ANGLE OF PROJECTION				
U.S.	INCHES					
(METRIC)	(MM)					
SIZE	DRAWING NO.	REV.				
A3	DDR4-288-V-XX-X-X-T-X	5	SCALE	N/A	SHEET 3 OF 3	

Компания «Life Electronics» занимается поставками электронных компонентов импортного и отечественного производства от производителей и со складов крупных дистрибьюторов Европы, Америки и Азии.

С конца 2013 года компания активно расширяет линейку поставок компонентов по направлению коаксиальный кабель, кварцевые генераторы и конденсаторы (керамические, пленочные, электролитические), за счёт заключения дистрибьюторских договоров

Мы предлагаем:

- Конкурентоспособные цены и скидки постоянным клиентам.
- Специальные условия для постоянных клиентов.
- Подбор аналогов.
- Поставку компонентов в любых объемах, удовлетворяющих вашим потребностям.
- Приемлемые сроки поставки, возможна ускоренная поставка.
- Доставку товара в любую точку России и стран СНГ.
- Комплексную поставку.
- Работу по проектам и поставку образцов.
- Формирование склада под заказчика.
- Сертификаты соответствия на поставляемую продукцию (по желанию клиента).
- Тестирование поставляемой продукции.
- Поставку компонентов, требующих военную и космическую приемку.
- Входной контроль качества.
- Наличие сертификата ISO.

В составе нашей компании организован Конструкторский отдел, призванный помогать разработчикам, и инженерам.

Конструкторский отдел помогает осуществить:

- Регистрацию проекта у производителя компонентов.
- Техническую поддержку проекта.
- Защиту от снятия компонента с производства.
- Оценку стоимости проекта по компонентам.
- Изготовление тестовой платы монтаж и пусконаладочные работы.



Тел: +7 (812) 336 43 04 (многоканальный)
Email: org@lifeelectronics.ru