

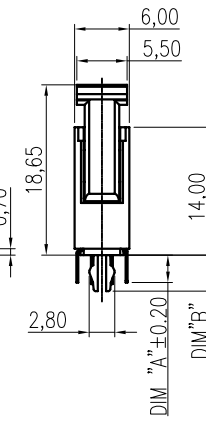
This document is the property of Amphenol Corporation and is delivered on the express condition that it is not to be disclosed, reproduced or used, in whole or in part, for manufacture or sale by anyone other than Amphenol Corporation without its prior consent, & that no right is granted to disclose or to use any information in this document.

PRO/E GENERATED DRAWING, DO NOT CHANGE BY HAND

CUSTOMER DRAWING

REVISIONS

| SYM | ECN | DESCRIPTION | DATE | APPROVED |
|-----|------|--|----------|----------|
| 1 | HK-- | First Release | 12/16/13 | IP |
| 2 | HK-- | Added latch option and some dimensions, and modified the q'ty of packing | 08/21/14 | IP |
| 3 | HK-- | Added dimensions per customer's requirement | 08/26/14 | IP |
| 4 | HK-- | Added color options | 01/06/15 | IP |
| 5 | HK-- | Added a dimension and latch profile | 01/26/15 | IP |



NOTES:

- MATERIAL:**
HOUSING: HIGH TEMPERATURE THERMAL PLASTIC, OPTION, UL94V-0, COLOR: OPTION.
LATCH: HIGH TEMPERATURE THERMAL PLASTIC, OPTION, UL94V-0. COLOR: OPTION.
TERMINAL: COPPER ALLOY.
BOARDLOCK: COPPER ALLOY.
- FINISH:**
TERMINAL:
CONTACT AREA: SELECTED GOLD PLATING;
SOLDERING AREA: MATTE TIN PLATING 100 μ" THICKNESS MIN.;
UNDER PLATING: NICKEL PLATING 50 μ" THICKNESS MIN. OVERALL
BOARDLOCK:
NICKEL PLATING 80 μ" THICKNESS MIN.;
- PACKING:** PK5-ZDDR4-001, MPQ: 480pcs
- THIS PRODUCT IS HALOGEN-FREE COMPLIANT PRODUCT.
- Order p/n system:

LATCH PROFILE

| |
|---|
| NIL: DIM "X" = 152MAX; DIM "Y" = 142MAX |
| F: DIM "X" = 162MAX; DIM "Y" = 145MAX |

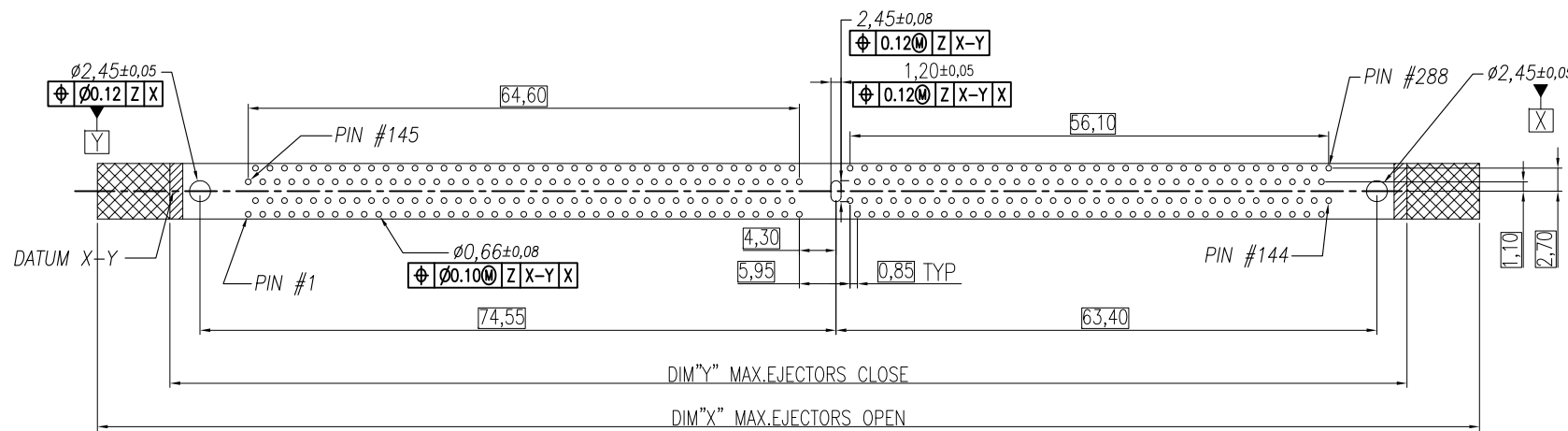
DOUBLE DATA RATE 4 SERIES
NO. OF POSITIONS: 288 POS.
VERTICAL
SEQUENCE NUMBER:

- {DIP OPTION (DIMA, DIMB, PCB)}
01: DIP=2.10MM, 3.94MM, 1.57 PCB
02: DIP=2.67MM, 3.94MM, 1.57 PCB
03: DIP=2.95MM, 4.60MM, 2.36 PCB
04: DIP=3.18MM, 4.60MM, 2.36 PCB
- HOUSING/LATCH COLOR
1: NYLON, BLACK/ NYLON, BLACK
2: NYLON, BLACK/ NYLON, NATURAL(IVORY)
3: NYLON, NATURAL(IVORY)/ NYLON, BLACK
4: NYLON, NATURAL(IVORY)/ NYLON, NATURAL(IVORY)
5: NYLON, BLUE/ NYLON, NATURAL(IVORY)
6: NYLON, GREEN/ NYLON, NATURAL(IVORY)
7: NYLON, BLUE/ NYLON, BLUE
8: NYLON, YELLOW/ NYLON, NATURAL(IVORY)

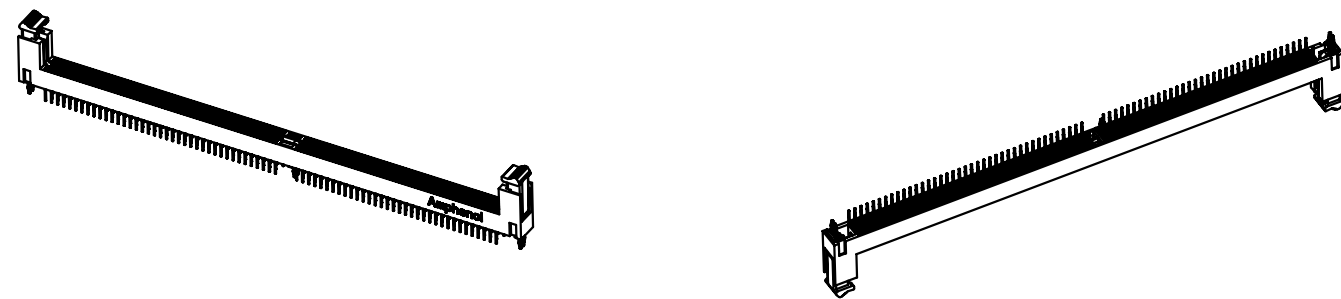
LATCH OPTION/REMARK:
NIL: DIM "X" = 152MAX; DIM "Y" = 142MAX
F: DIM "X" = 162MAX; DIM "Y" = 145MAX

PACKAGE CODE:
T: TRAY

CONTACT PLATED
0: GOLD FLASH
1: 15 μ" GOLD
2: 20 μ" GOLD
3: 30 μ" GOLD
4: 3 μ" GOLD OVER 12 μ" PdNi
5: 3 μ" GOLD OVER 27 μ" PdNi



RECOMMENDED PCB LAYOUT (TOP VIEW)



| PART NO. | DIM. "A" | DIM. "B" | PCB THK |
|----------------|----------|----------|---------|
| DDR4288V01XXTX | 2.10 | 3.94 | 1.57 |
| DDR4288V02XXTX | 2.67 | 3.94 | 1.57 |
| DDR4288V03XXTX | 2.95 | 4.60 | 2.36 |
| DDR4288V04XXTX | 3.18 | 4.60 | 2.36 |

| UNLESS OTHERWISE SPECIFIED TOLERANCES | | APPROVAL | | DATE |
|---------------------------------------|--------|----------|----------|----------|
| U.S. | METRIC | DRAWN | Acon.Dal | 01/26/15 |
| 0.0 | +/- | CHECKED | Dam.he | 01/26/15 |
| 0.00 | +/- | CHECKED | | |
| 0.000 | +/- | | | |
| FRACTIONS | +/- | | | |
| ANGLES | +/- | | | |

Amphenol
Amphenol East Asia Limited

TITLE: Customer drawing For DDR4 Series, 288 pos., 0.85 pitch Vertical Dip Type

SIZE: A3
DRAWING NO.: DDR4-288-V-XX-X-X-T-X
REV.: 5

SCALE: N/A
SHEET 1 OF 3



This document is the property of Amphenol Corporation and is delivered on the express condition that it is not to be disclosed, reproduced or used, in whole or in part, for manufacture or sale by anyone other than Amphenol Corporation without its prior consent, & that no right is granted to disclose or to use any information in this document.

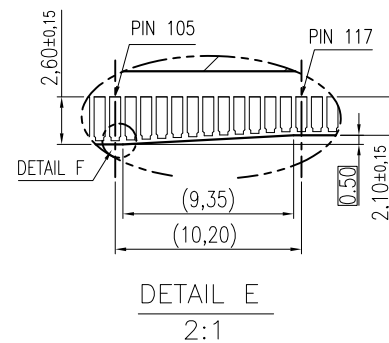
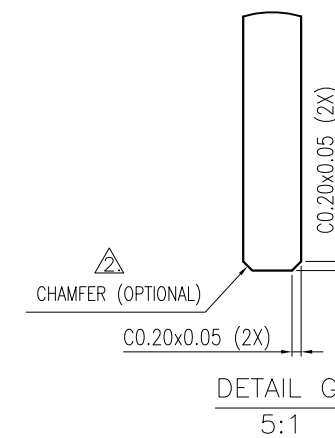
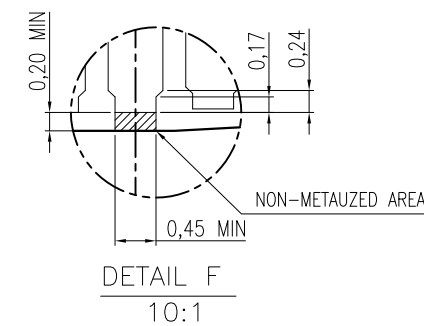
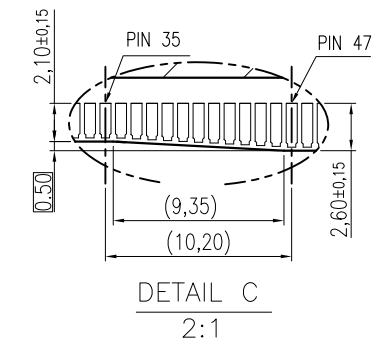
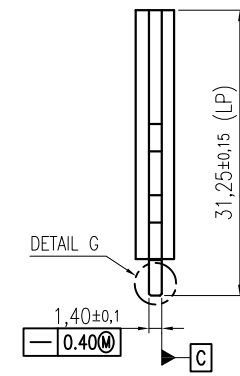
PRO/E GENERATED DRAWING, DO NOT CHANGE BY HAND

CUSTOMER DRAWING

| REVISIONS | | | | |
|-------------|-----|-------------|------|----------|
| SYM | ECN | DESCRIPTION | DATE | APPROVED |
| SEE SHEET 1 | | | | |

NOTES:

- RECOMMENDED PLATING FOR CONTACT PADS:
 PREFERRED: 0.76 MICROMETERS GOLD PLATING MIN.
 OVER 2.00 MICROMETERS NICKEL.
 ALTERNATIVE: 0.05~0.75 MICROMETERS GOLD PLATING
 OVER 2.00 MICROMETERS NICKEL MUST USE AN ELECTRONIC
 CONTACT GRADE CORROSIVE BARRIER LUBRICANT.
 △ CHAMFER IS OPTIONAL AND IS NOT TO HIT GOLD PADS.



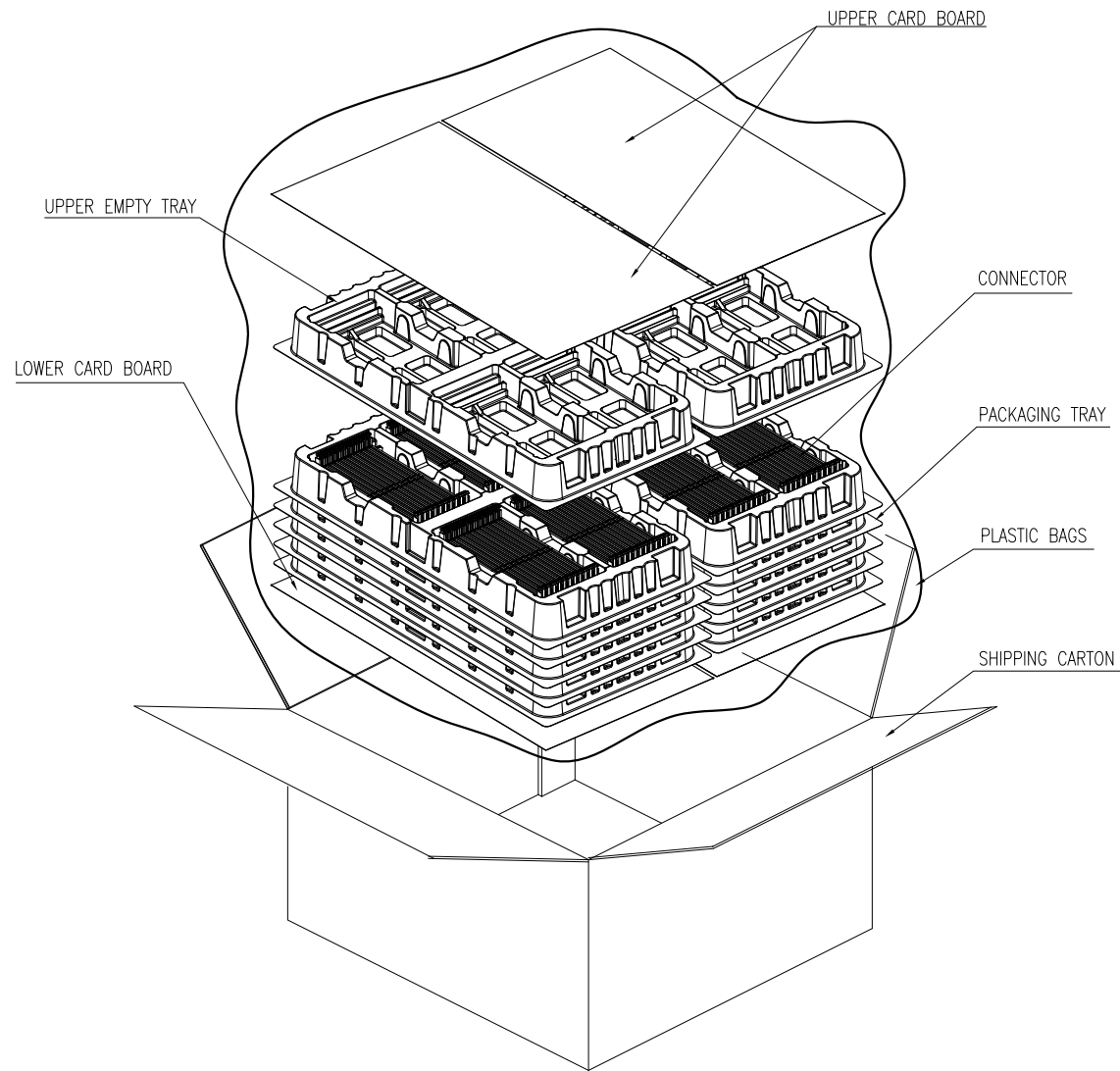
| UNLESS OTHERWISE SPECIFIED TOLERANCES | | APPROVAL | | DATE | Amphenol Amphenol East Asia Limited |
|---------------------------------------|--------|--------------------------------------|----------|---|--|
| U.S. | METRIC | DRAWN | Acon.Dal | 01/26/15 | |
| 0.0 | +/- | 0.30 | CHECKED | Dam.he | 01/26/15 |
| 0.00 | +/- | 0.20 | CHECKED | | |
| 0.000 | +/- | 0.10 | | | |
| FRACTIONS +/- | | DRAWING FILE : | | TITLE | |
| ANGLES +/- | | FOR MATERIALS AND FINISHES SEE NOTES | | Customer drawing For DDR4 Series, 288 pos., 0.85 pitch Vertical Dip Type | |
| REMOVE SHARP EDGES | | ANGLE OF PROJECTION | | SIZE | DRAWING NO. |
| DIMENSIONS | | | | A3 | DDR4-288-V-XX-X-X-T-X |
| U.S. | | | | SCALE | N/A |
| (METRIC) | | | | SHEET | 2 OF 3 |

This document is the property of Amphenol Corporation and is delivered on the express condition that it is not to be disclosed, reproduced or used, in whole or in part, for manufacture or sale by anyone other than Amphenol Corporation without its prior consent, & that no right is granted to disclose or to use any information in this document.

PRO/E GENERATED DRAWING,DO NOT CHANGE BY HAND

CUSTOMER DRAWING

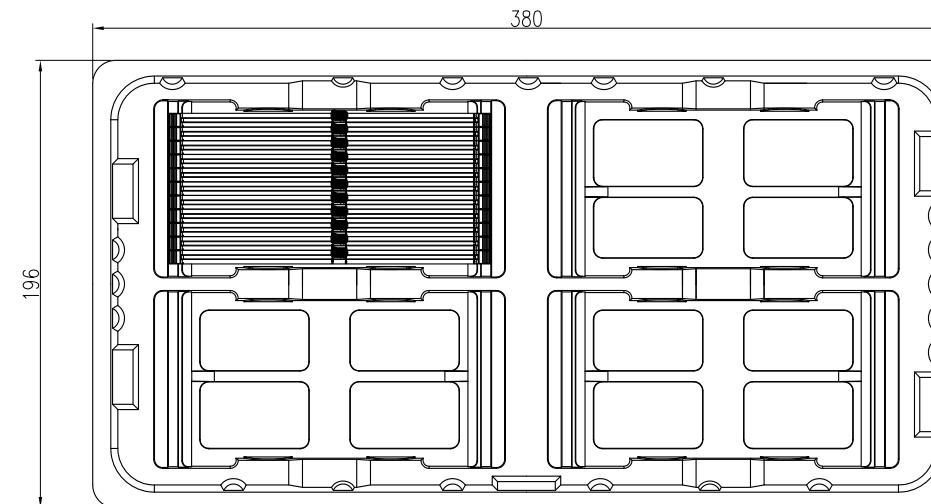
| REVISIONS | | | | | |
|-------------|-----|-------------|------|----------|--|
| SYM | ECN | DESCRIPTION | DATE | APPROVED | |
| SEE SHEET 1 | | | | | |



NOTES:

1. IN THE 14 PLASTIC TRAYS ,THE TWO TOP PLASTIC TRAYS ARE TO COVER THE CONNECTORS ,THE OTHERS ARE FILLED WITH CONNECTORS.

| TOTEL TRAY PER CARTON | QT'Y/TRAY | QT'Y/SHIPPING CARTON | PLASTIC BAGS QT'Y /SHIPPING CARTON | G.W. | N.W. |
|-----------------------|-----------|----------------------|------------------------------------|---------|---------|
| 14 | 40 | 480 | 1 | 5.2 KGf | 3.2 KGf |



| | | | | | | |
|---------------------------------------|------|---------------------|---------------------|-------------|--|----------|
| UNLESS OTHERWISE SPECIFIED TOLERANCES | | APPROVAL | | DATE | Amphenol Amphenol East Asia Limited TITLE Customer drawing For DDR4 Series, 288 pos.,0.85 pitch Vertical Dip Type | |
| | U.S. | METRIC | DRAWN | Acon.Dal | | 01/26/15 |
| 0.0 | +/- | 0.30 | CHECKED | Dam.he | | 01/26/15 |
| 0.00 | +/- | 0.20 | CHECKED | | | |
| 0.000 | +/- | 0.10 | DRAWING FILE : | | | |
| FRACTIONS +/- | 1" | | ANGLE OF PROJECTION | | | |
| ANGLES +/- | | | REMOVE SHARP EDGES | | | |
| FOR MATERIALS AND FINISHES SEE NOTES | | DIMENSIONS | | SCALE | | |
| | | U.S. | INCHES | DRAWING NO. | | |
| | | (METRIC) | (MM) | A3 | | |
| | | ANGLE OF PROJECTION | | DRAWING NO. | | |
| | | SCALE | | N/A | | |
| | | SHEET 3 OF 3 | | REV. 5 | | |

Компания «Life Electronics» занимается поставками электронных компонентов импортного и отечественного производства от производителей и со складов крупных дистрибьюторов Европы, Америки и Азии.

С конца 2013 года компания активно расширяет линейку поставок компонентов по направлению коаксиальный кабель, кварцевые генераторы и конденсаторы (керамические, пленочные, электролитические), за счёт заключения дистрибьюторских договоров

Мы предлагаем:

- Конкурентоспособные цены и скидки постоянным клиентам.
- Специальные условия для постоянных клиентов.
- Подбор аналогов.
- Поставку компонентов в любых объемах, удовлетворяющих вашим потребностям.
- Приемлемые сроки поставки, возможна ускоренная поставка.
- Доставку товара в любую точку России и стран СНГ.
- Комплексную поставку.
- Работу по проектам и поставку образцов.
- Формирование склада под заказчика.
- Сертификаты соответствия на поставляемую продукцию (по желанию клиента).
- Тестирование поставляемой продукции.
- Поставку компонентов, требующих военную и космическую приемку.
- Входной контроль качества.
- Наличие сертификата ISO.

В составе нашей компании организован Конструкторский отдел, призванный помогать разработчикам, и инженерам.

Конструкторский отдел помогает осуществить:

- Регистрацию проекта у производителя компонентов.
- Техническую поддержку проекта.
- Защиту от снятия компонента с производства.
- Оценку стоимости проекта по компонентам.
- Изготовление тестовой платы монтаж и пусконаладочные работы.



Тел: +7 (812) 336 43 04 (многоканальный)
Email: org@lifeelectronics.ru