



Ferrites and accessories

EELP 38, EILP 38
Core set (with and without clamp recess)

Series/Type: B66289G, B66289P, B66459G, B66459P
Date: September 2006

Core set EELP 38
Combination: ELP 38/8/25 with ELP 38/8/25

- To IEC 62317-9
- Delivery mode: single units

Magnetic characteristics (per set)

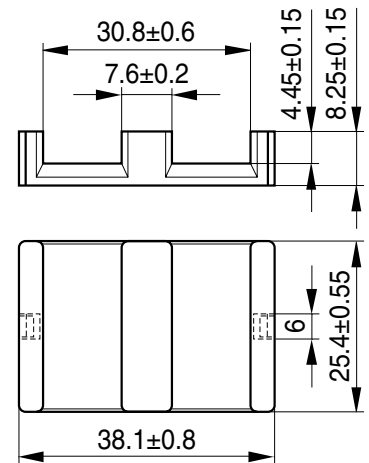
$$\Sigma l/A = 0.27 \text{ mm}^{-1}$$

$$l_e = 52.4 \text{ mm}$$

$$A_e = 194 \text{ mm}^2$$

$$A_{\min} = 192 \text{ mm}^2$$

$$V_e = 10200 \text{ mm}^3$$

Approx. weight 52 g/set
ELP 38/8/25


FEK0371-P

Ungapped

| Material | A_L value nH | μ_e | P_V W/set | Ordering code (per piece) |
|----------|-------------------|---------|----------------------------------|------------------------------|
| N49 | 4850 ±25% | 1040 | < 2.60 (50 mT, 500 kHz, 100 °C) | B66289G0000X149 |
| N92 | 5400 ±25% | 1160 | < 6.65 (200 mT, 100 kHz, 100 °C) | B66289G0000X192 |
| N87 | 7200 ±25% | 1550 | < 6.05 (200 mT, 100 kHz, 100 °C) | B66289G0000X187 |
| N97 | 7400 ±25% | 1590 | < 5.15 (200 mT, 100 kHz, 100 °C) | B66289G0000X197 |

Calculation factors (for formulas, see “E cores: general information”)
EELP 38:

| Material | Relationship between air gap – A_L value | | Calculation of saturation current | | | |
|----------|---|------------|-----------------------------------|------------|-------------|-------------|
| | K1 (25 °C) | K2 (25 °C) | K3 (25 °C) | K4 (25 °C) | K3 (100 °C) | K4 (100 °C) |
| N87 | 302 | -0.815 | 522 | -0.796 | 466 | -0.873 |

Validity range: K1, K2: 0.10 mm < s < 2.00 mm
K3, K4: 180 nH < A_L < 1500 nH

Core set EILP 38
Combination:
ELP 38/8/25 with I 38/4/25

- To IEC 62317-9
- Delivery mode: single units

Magnetic characteristics (per set)

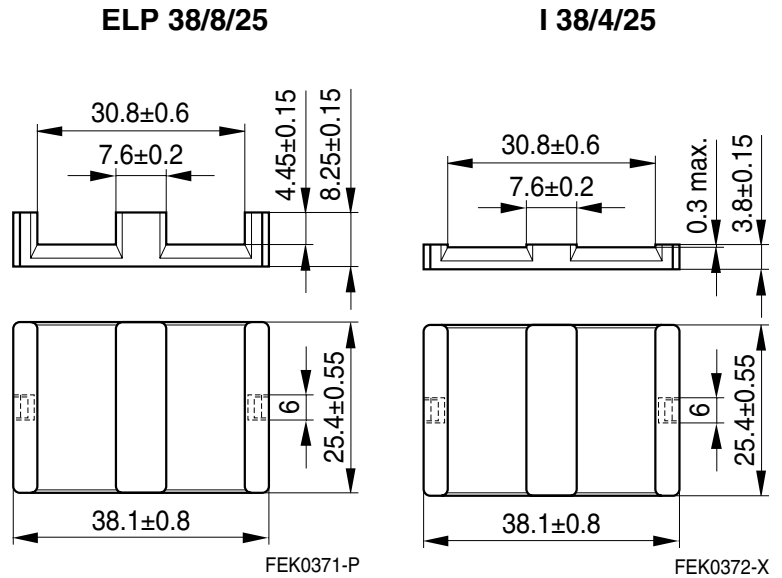
$$\Sigma l/A = 0.22 \text{ mm}^{-1}$$

$$l_e = 43.6 \text{ mm}$$

$$A_e = 194 \text{ mm}^2$$

$$A_{\min} = 192 \text{ mm}^2$$

$$V_e = 8440 \text{ mm}^3$$

Approx. weight 44 g/set

Ungapped

| Material | A_L value nH | μ_e | P_V W/set | Ordering code (per piece) |
|----------|-------------------|---------|----------------------------------|--|
| N49 | 5700 ±25% | 1000 | < 2.20 (50 mT, 500 kHz, 100 °C) | B66289G0000X149 (ELP core) B66289P0000X149 (I core) |
| N92 | 6200 ±25% | 1110 | < 5.30 (200 mT, 100 kHz, 100 °C) | B66289G0000X192 (ELP core) B66289P0000X192 (I core) |
| N87 | 8300 ±25% | 1450 | < 5.15 (200 mT, 100 kHz, 100 °C) | B66289G0000X187 (ELP core) B66289P0000X187 (I core) |
| N97 | 8400 ±25% | 1500 | < 4.40 (200 mT, 100 kHz, 100 °C) | B66289G0000X197 (ELP core) B66289P0000X197 (I core) |

Calculation factors (for formulas, see “E cores: general information”)
EILP 38:

| Material | Relationship between air gap – A_L value | | Calculation of saturation current | | | |
|----------|---|------------|-----------------------------------|------------|-------------|-------------|
| | K1 (25 °C) | K2 (25 °C) | K3 (25 °C) | K4 (25 °C) | K3 (100 °C) | K4 (100 °C) |
| N87 | 328 | -0.788 | 541 | -0.796 | 477 | -0.873 |

Validity range: K1, K2: 0.10 mm < s < 2.00 mm
K3, K4: 180 nH < A_L < 1500 nH

Core set EELP 38
Combination: ELP 38/8/25 with ELP 38/8/25

- To IEC 62317-9
- Delivery mode: single units

Magnetic characteristics (per set)

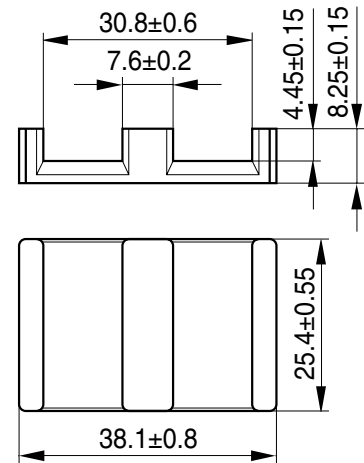
$$\Sigma l/A = 0.27 \text{ mm}^{-1}$$

$$l_e = 52.4 \text{ mm}$$

$$A_e = 194 \text{ mm}^2$$

$$A_{\min} = 192 \text{ mm}^2$$

$$V_e = 10200 \text{ mm}^3$$

Approx. weight 52 g/set
ELP 38/8/25


FEK0406-L

Ungapped

| Material | A_L value nH | μ_e | P_V W/set | Ordering code (per piece) |
|----------|-------------------|---------|----------------------------------|------------------------------|
| N49 | 4850 ±25% | 1040 | < 2.60 (50 mT, 500 kHz, 100 °C) | B66459G0000X149 |
| N92 | 5400 ±25% | 1160 | < 6.65 (200 mT, 100 kHz, 100 °C) | B66459G0000X192 |
| N87 | 7200 ±25% | 1550 | < 6.05 (200 mT, 100 kHz, 100 °C) | B66459G0000X187 |
| N97 | 7400 ±25% | 1590 | < 5.15 (200 mT, 100 kHz, 100 °C) | B66459G0000X197 |

Calculation factors (for formulas, see “E cores: general information”)
EELP 38:

| Material | Relationship between air gap – A_L value | | Calculation of saturation current | | | |
|----------|---|------------|-----------------------------------|------------|-------------|-------------|
| | K1 (25 °C) | K2 (25 °C) | K3 (25 °C) | K4 (25 °C) | K3 (100 °C) | K4 (100 °C) |
| N87 | 302 | -0.815 | 522 | -0.796 | 466 | -0.873 |

Validity range: K1, K2: 0.10 mm < s < 2.00 mm
 K3, K4: 180 nH < A_L < 1500 nH

Core set EILP 38
Combination:
ELP 38/8/25 with I 38/4/25

- To IEC 62317-9
- Delivery mode: single units

Magnetic characteristics (per set)

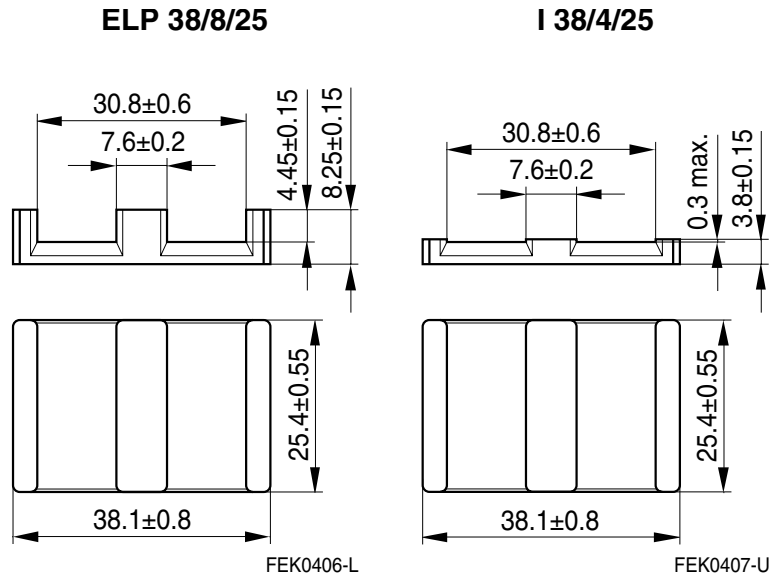
$$\Sigma l/A = 0.22 \text{ mm}^{-1}$$

$$l_e = 43.6 \text{ mm}$$

$$A_e = 194 \text{ mm}^2$$

$$A_{\min} = 192 \text{ mm}^2$$

$$V_e = 8440 \text{ mm}^3$$

Approx. weight 44 g/set

Ungapped

| Material | A_L value nH | μ_e | P_V W/set | Ordering code (per piece) |
|----------|-------------------|---------|----------------------------------|--|
| N49 | 5700 ±25% | 1000 | < 2.20 (50 mT, 500 kHz, 100 °C) | B66459G0000X149 (ELP core) B66459P0000X149 (I core) |
| N92 | 6200 ±25% | 1110 | < 5.30 (200 mT, 100 kHz, 100 °C) | B66459G0000X192 (ELP core) B66459P0000X192 (I core) |
| N87 | 8300 ±25% | 1450 | < 5.15 (200 mT, 100 kHz, 100 °C) | B66459G0000X187 (ELP core) B66459P0000X187 (I core) |
| N97 | 8400 ±25% | 1500 | < 4.40 (200 mT, 100 kHz, 100 °C) | B66459G0000X197 (ELP core) B66459P0000X197 (I core) |

Calculation factors (for formulas, see “E cores: general information”)
EILP 38:

| Material | Relationship between air gap – A_L value | | Calculation of saturation current | | | |
|----------|---|------------|-----------------------------------|------------|-------------|-------------|
| | K1 (25 °C) | K2 (25 °C) | K3 (25 °C) | K4 (25 °C) | K3 (100 °C) | K4 (100 °C) |
| N87 | 328 | -0.788 | 541 | -0.796 | 477 | -0.873 |

Validity range: K1, K2: 0.10 mm < s < 2.00 mm
K3, K4: 180 nH < A_L < 1500 nH

Mechanical stress and mounting

Ferrite cores have to meet mechanical requirements during assembling and for a growing number of applications. Since ferrites are ceramic materials one has to be aware of the special behavior under mechanical load.

As valid for any ceramic material, ferrite cores are brittle and sensitive to any shock, fast changing or tensile load. Especially high cooling rates under ultrasonic cleaning and high static or cyclic loads can cause cracks or failure of the ferrite cores.

For detailed information see Data Book 2007, chapter “General – Definitions, 8.1”.

Effects of core combination on A_L value

Stresses in the core affect not only the mechanical but also the magnetic properties. It is apparent that the initial permeability is dependent on the stress state of the core. The higher the stresses are in the core, the lower is the value for the initial permeability. Thus the embedding medium should have the greatest possible elasticity.

For detailed information see Data Book 2007, chapter “General – Definitions, 8.2”.

Heating up

Ferrites can run hot during operation at higher flux densities and higher frequencies.

NiZn-materials

The magnetic properties of NiZn-materials can change irreversible in high magnetic fields.

Processing notes

- The start of the winding process should be soft. Else the flanges may be destroyed.
- To strong winding forces may blast the flanges or squeeze the tube that the cores can no more be mount.
- To long soldering time at high temperature (>300 °C) may effect coplanarity or pin arrangement.
- Not following the processing notes for soldering of the J-leg terminals may cause solderability problems at the transformer because of pollution with Sn oxyd of the tin bath or burned insulation of the wire. For detailed information see Data Book 2007, chapter “Processing notes, 2.2”.
- The dimensions of the hole arrangement have fixed values and should be understood as a recommendation for drilling the printed circuit board. For dimensioning the pins, the group of holes can only be seen under certain conditions, as they fit into the given hole arrangement. To avoid problems when mounting the transformer, the manufacturing tolerances for positioning the customers’ drilling process must be considered by increasing the hole diameter.

Important notes

The following applies to all products named in this publication:

1. Some parts of this publication contain **statements about the suitability of our products for certain areas of application**. These statements are based on our knowledge of typical requirements that are often placed on our products in the areas of application concerned. We nevertheless expressly point out **that such statements cannot be regarded as binding statements about the suitability of our products for a particular customer application**. As a rule, EPCOS is either unfamiliar with individual customer applications or less familiar with them than the customers themselves. For these reasons, it is always ultimately incumbent on the customer to check and decide whether an EPCOS product with the properties described in the product specification is suitable for use in a particular customer application.
2. We also point out that **in individual cases, a malfunction of passive electronic components or failure before the end of their usual service life cannot be completely ruled out in the current state of the art, even if they are operated as specified**. In customer applications requiring a very high level of operational safety and especially in customer applications in which the malfunction or failure of a passive electronic component could endanger human life or health (e.g. in accident prevention or life-saving systems), it must therefore be ensured by means of suitable design of the customer application or other action taken by the customer (e.g. installation of protective circuitry or redundancy) that no injury or damage is sustained by third parties in the event of malfunction or failure of a passive electronic component.
3. **The warnings, cautions and product-specific notes must be observed.**
4. In order to satisfy certain technical requirements, **some of the products described in this publication may contain substances subject to restrictions in certain jurisdictions (e.g. because they are classed as “hazardous”)**. Useful information on this will be found in our Material Data Sheets on the Internet (www.epcos.com/material). Should you have any more detailed questions, please contact our sales offices.
5. We constantly strive to improve our products. Consequently, **the products described in this publication may change from time to time**. The same is true of the corresponding product specifications. Please check therefore to what extent product descriptions and specifications contained in this publication are still applicable before or when you place an order.
We also **reserve the right to discontinue production and delivery of products**. Consequently, we cannot guarantee that all products named in this publication will always be available.
6. Unless otherwise agreed in individual contracts, **all orders are subject to the current version of the “General Terms of Delivery for Products and Services in the Electrical Industry” published by the German Electrical and Electronics Industry Association (ZVEI)**.
7. The trade names EPCOS, EPCOS-JONES, Baoke, Alu-X, CeraDiode, CSSP, MLSC, PhaseCap, PhaseMod, SIFI, SIFERRIT, SIKOREL, SilverCap, SIMID, SIOV, SIP5D, SIP5K, UltraCap, WindCap are **trademarks registered or pending** in Europe and in other countries. Further information will be found on the Internet at www.epcos.com/trademarks.

Компания «Life Electronics» занимается поставками электронных компонентов импортного и отечественного производства от производителей и со складов крупных дистрибьюторов Европы, Америки и Азии.

С конца 2013 года компания активно расширяет линейку поставок компонентов по направлению коаксиальный кабель, кварцевые генераторы и конденсаторы (керамические, пленочные, электролитические), за счёт заключения дистрибьюторских договоров

Мы предлагаем:

- Конкурентоспособные цены и скидки постоянным клиентам.
- Специальные условия для постоянных клиентов.
- Подбор аналогов.
- Поставку компонентов в любых объемах, удовлетворяющих вашим потребностям.
- Приемлемые сроки поставки, возможна ускоренная поставка.
- Доставку товара в любую точку России и стран СНГ.
- Комплексную поставку.
- Работу по проектам и поставку образцов.
- Формирование склада под заказчика.
- Сертификаты соответствия на поставляемую продукцию (по желанию клиента).
- Тестирование поставляемой продукции.
- Поставку компонентов, требующих военную и космическую приемку.
- Входной контроль качества.
- Наличие сертификата ISO.

В составе нашей компании организован Конструкторский отдел, призванный помогать разработчикам, и инженерам.

Конструкторский отдел помогает осуществить:

- Регистрацию проекта у производителя компонентов.
- Техническую поддержку проекта.
- Защиту от снятия компонента с производства.
- Оценку стоимости проекта по компонентам.
- Изготовление тестовой платы монтаж и пусконаладочные работы.



Тел: +7 (812) 336 43 04 (многоканальный)

Email: org@lifeelectronics.ru