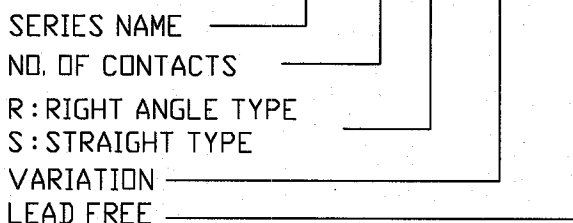


CAT. NO. & DIMENSIONS

REVISIONS				
REV	DESCRIPTION	ECN	BY	DATE
A	Released	J05-0079	H.T	05/2/18

NO. OF CONTACTS (n)	CAT. NO.		DIMENSIONS (NOTE1)	
	RIGHT ANGLE TYPE	STRAIGHT TYPE	A ± 0.3	B ± 0.3
4	SLW4R-1C7LF	SLW4S-1C7LF	10.2	5.2
5	SLW5R-1C7LF	SLW5S-1C7LF	11.2	6.2
6	SLW6R-1C7LF	SLW6S-1C7LF	12.2	7.2
7	SLW7R-1C7LF	SLW7S-1C7LF	13.2	8.2
8	SLW8R-1C7LF	SLW8S-1C7LF	14.2	9.2
9	SLW9R-1C7LF	SLW9S-1C7LF	15.2	10.2
10	SLW10R-1C7LF	SLW10S-1C7LF	16.2	11.2
11	SLW11R-1C7LF	SLW11S-1C7LF	17.2	12.2
12	SLW12R-1C7LF	SLW12S-1C7LF	18.2	13.2
13	SLW13R-1C7LF	SLW13S-1C7LF	19.2	14.2
14	SLW14R-1C7LF	SLW14S-1C7LF	20.2	15.2
15	SLW15R-1C7LF	SLW15S-1C7LF	21.2	16.2
16	SLW16R-1C7LF	SLW16S-1C7LF	22.2	17.2
17	SLW17R-1C7LF	SLW17S-1C7LF	23.2	18.2
18	SLW18R-1C7LF	SLW18S-1C7LF	24.2	19.2
19	SLW19R-1C7LF	SLW19S-1C7LF	25.2	20.2
20	SLW20R-1C7LF	SLW20S-1C7LF	26.2	21.2
21	SLW21R-1C7LF	SLW21S-1C7LF	27.2	22.2
22	SLW22R-1C7LF	SLW22S-1C7LF	28.2	23.2
23	SLW23R-1C7LF	SLW23S-1C7LF	29.2	24.2
24	SLW24R-1C7LF	SLW24S-1C7LF	30.2	25.2
25	SLW25R-1C7LF	SLW25S-1C7LF	31.2	26.2
26	SLW26R-1C7LF	SLW26S-1C7LF	32.2	27.2
27	SLW27R-1C7LF	SLW27S-1C7LF	33.2	28.2
28	SLW28R-1C7LF	SLW28S-1C7LF	34.2	29.2
29	SLW29R-1C7LF	SLW29S-1C7LF	35.2	30.2
30	SLW30R-1C7LF	SLW30S-1C7LF	36.2	31.2

CAT. NO. SLW (n) R - 1C7 LF



NOTE  
 1. SEE PART DRAWINGS FOR DIMENSIONS A,B.

SHEET INDEX	ISSUE	A									<b>A</b> <b>FCI</b>					
	SH NO.	1														
TOLERANCES UNLESS OTHERWISE SPECIFIED		DR	A. KOBAYASHI		DATE	05/2/18		CUSTOMER COPY	TITLE CAT NO. TABLE FOR 1mm SPACING CONNECTOR (Cat. No. SLW__R/S-1C7LF)							
LINEAR		ENGR	<i>H. Kobayashi</i>			2/18/05										
		CHK	<i>H. Kobayashi</i>			2/18/05		THIRD ANGLE PROJ								
ANGLES		APPD	<i>M. Guevara</i>			2/18/05		UNIT	MM	PRODUCT FAMILY	58JF	CODE JP				
DO NOT SCALE PRINT DF-140A REV A									THIS INFORMATION IS CONFIDENTIAL AND IS DISCLOSED TO YOU ON CONDITION THAT NO FURTHER DISCLOSURE IS MADE BY YOU TO OTHER THAN FCI PERSONNEL WITHOUT WRITTEN AUTHORIZATION FROM FCI JAPAN K.K.			SCALE	SIZE	DWG. NO.	REV	SHEET OF
												-	A	JSA 96300	A	DF

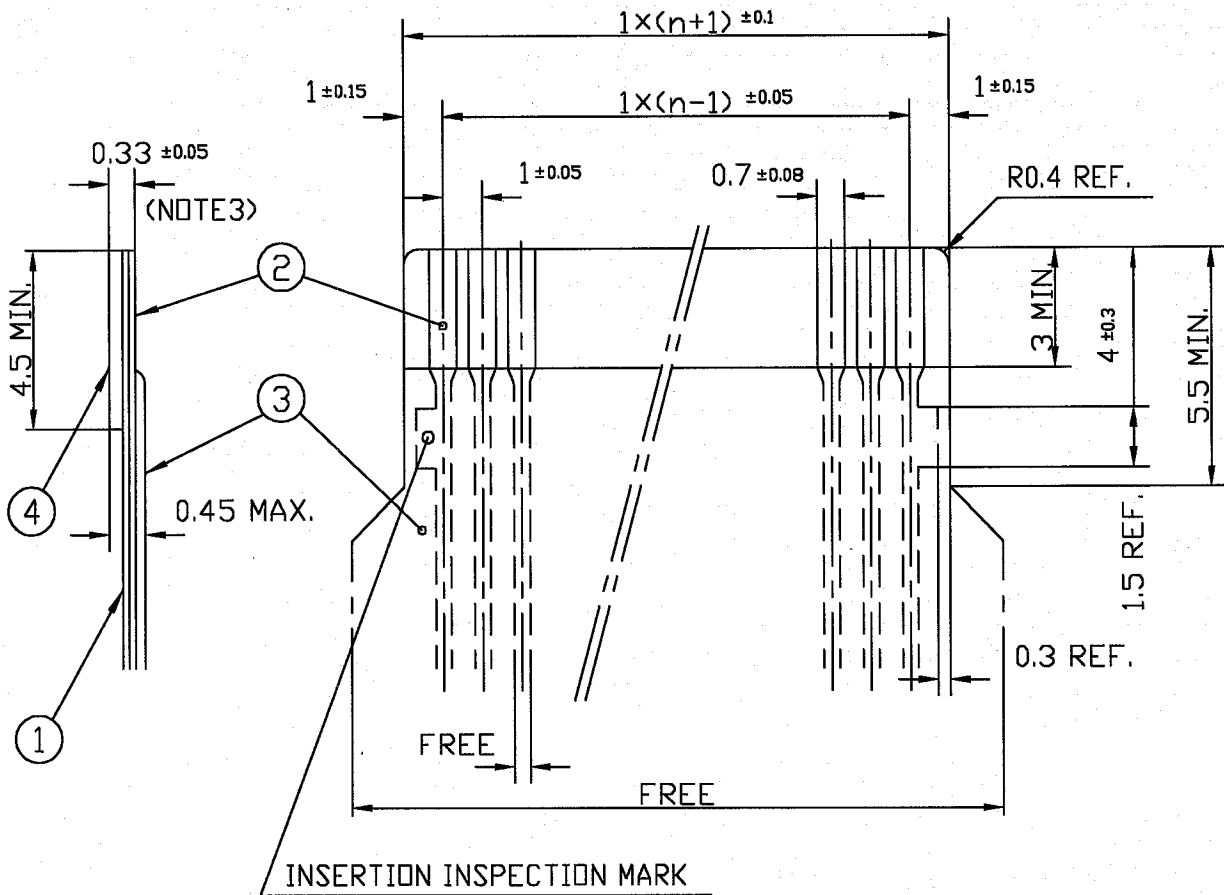




REVISIONS				
REV	DESCRIPTION	ECN	BY	DATE
AA	Changed form	J05-0079	H.T	2/18/05

RECOMMENDED CABLE (FPC)

n : NO. OF CONDUCTOR



PT. NO.	PARTS NAME	MATERIAL	THICKNESS (μm)
1	BASE FILM	POLYIMIDE OR POLYESTER OR EQUAL	25
2	CONDUCTOR	COPPER FOIL (PLATING : SOLDER 1μm MIN.)	35
3	OVERLAY	POLYIMIDE OR POLYESTER OR EQUAL	—
4	SUPPORTING TAPE	POLYESTER OR POLYIMIDE OR EQUAL	188

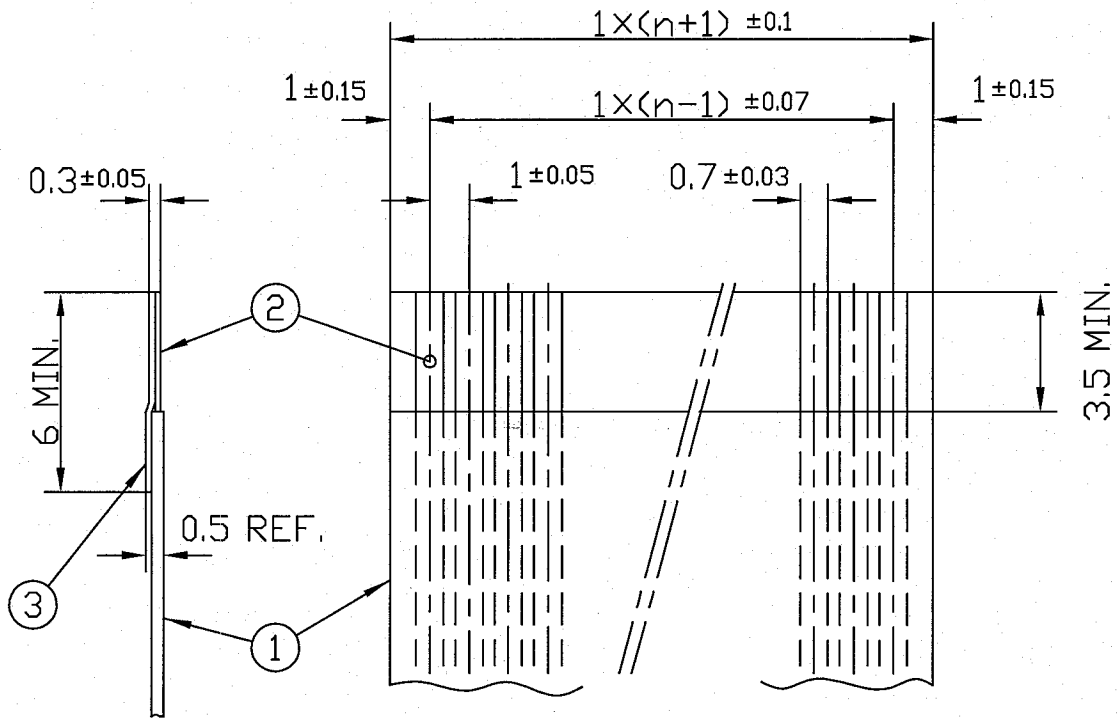
- NOTES
1. NO BURR AT EACH PORTION.
  2. NO PEELING IN COMMON USE.
  3. TOTAL THICKNESS LIMIT OF EACH MATERIAL (INCLUDING ADHESIVE AGENT) IS SPECIFIED.

SHEET INDEX	ISSUE	AA										
	SH NO.	1										
TOLERANCES UNLESS OTHERWISE SPECIFIED		DR	A. KOBAYASHI	DATE	05/2/18	CUSTOMER COPY		TITLE			RECOMMENDED CABLE (Cat. No. SLW__R/S-___)	
LINEAR		ENGR	<i>[Signature]</i>	DATE	2/18/05	THIRD ANGLE PROJ		PRODUCT FAMILY				58JF
ANGLES		CHK	<i>[Signature]</i>	DATE	2/18/05	UNIT		MM			CODE JP	
DO NOT SCALE PRINT		APPD	<i>[Signature]</i>	DATE	2/18/05	INCH		SCALE			REV	
DF-140A REV A		THIS INFORMATION IS CONFIDENTIAL AND IS DISCLOSED TO YOU ON CONDITION THAT NO FURTHER DISCLOSURE IS MADE BY YOU TO OTHER THAN FCI PERSONNEL WITHOUT WRITTEN AUTHORIZATION FROM FCI JAPAN K.K.					SIZE		A		AA	SHEET OF
							DWG. NO.		JSA 91648		DF	

REVISIONS				
REV	DESCRIPTION	ECN	BY	DATE
AA	Changed form.	J05-0079	H.T	2/18/05


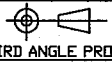
RECOMMENDED CABLE (FFC)

n : NO. OF CONDUCTOR



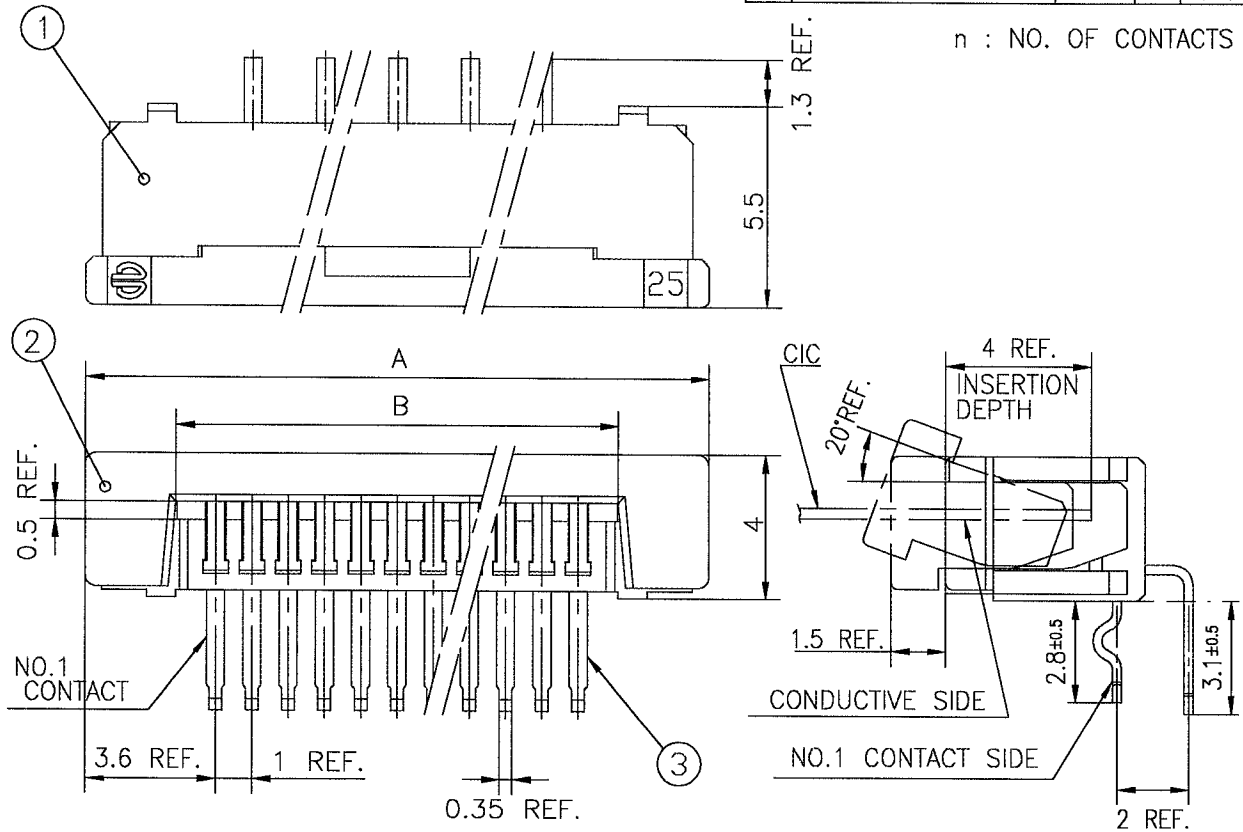
PT. NO.	PARTS NAME	MATERIAL	NOTE
1	INSULATOR	FLAME RESISTING POLYESTER OR EQUAL	_____
2	CONDUCTOR	COPPER FOIL	PLATING : TIN OR SOLDER 1μm MIN.
3	SUPPORTING TAPE	FLAME RESISTING POLYESTER OR EQUAL	_____

- NOTES
1. NO BURR AT EACH PORTION.
  2. NO PEELING IN COMMON USE.

SHEET INDEX	ISSUE	AA																	 <b>FCI</b>
	SH NO.	1																	
TOLERANCES UNLESS OTHERWISE SPECIFIED		DR	A. KOBAYASHI		DATE	2/18/05		CUSTOMER COPY	TITLE										
LINEAR	±0.3	ENGR	<i>[Signature]</i>		DATE	2/18/05		 THIRD ANGLE PROJ	RECOMMENDED CABLE										
		CHK	<i>[Signature]</i>		DATE	2/18/05			(Cat. No. SLW__R/S-__)										
ANGLES		APPD	<i>[Signature]</i>		DATE	2/18/05		UNIT	MM		PRODUCT FAMILY								CODE JP
DO NOT SCALE PRINT		THIS INFORMATION IS CONFIDENTIAL AND IS DISCLOSED TO YOU ON CONDITION THAT NO FURTHER DISCLOSURE IS MADE BY YOU TO OTHER THAN FCI PERSONNEL WITHOUT WRITTEN AUTHORIZATION FROM FCI JAPAN K.K.											SCALE	SIZE	DWG. NO.	REV	SHEET		
DF-140A REV A													-	A	JSA 91649	AA	0F		

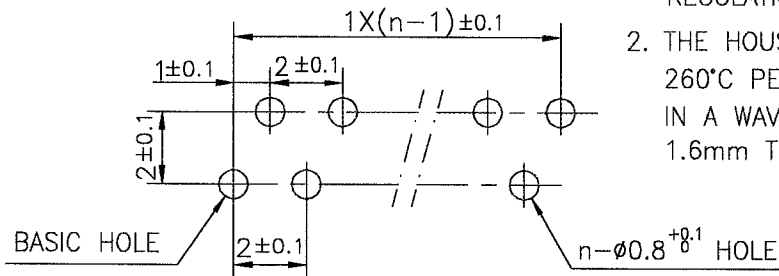


REVISIONS				
REV	DESCRIPTION	ECN	BY	DATE
A	Released	J05-0079	H.T	'05/2/15
B	Added heat resistance	J05-0734	H.T	10/28/'05



PT.NO.	PARTS NAME	MATERIAL	Q'TY	NOTE
1	HOUSING	NYLON RESIN GLASS REINFORCED (UL94V-0)	1	COLOR : BLACK
2	SLIDER		1	COLOR : WHITE
3	CONTACT	PHOSPHOR BRONZE	n	PLATING : MATTE PURE TIN (LEAD FREE)

RECOMMENDED PC BOARD  
 THICKNESS : 0.8~1.6  
 HOLE PATTERN (COMPONENT SIDE)

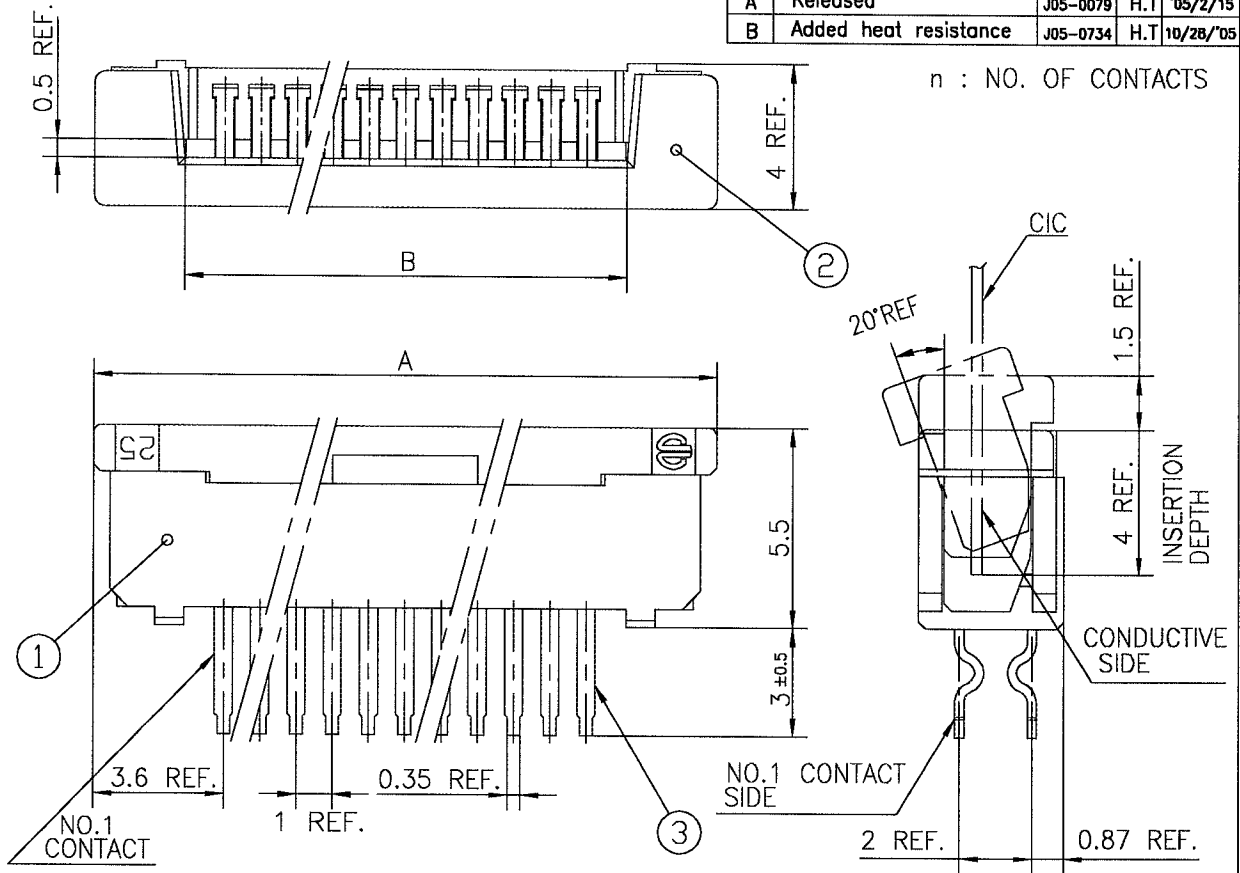


1. THIS PRODUCT MEETS EUROPEAN UNION DIRECTIVES AND OTHER COUNTRY REGULATIONS AS DESCRIBED IN GS-22-008
2. THE HOUSING WILL WITHSTAND EXPOSURE TO 260°C PEAK TEMPERATURE FOR 10 SECONDS IN A WAVE SOLDER APPLICATION WITH A 1.6mm THICK CIRCUIT BOARD.

SHEET INDEX	ISSUE	B						<b>TITLE</b> 1mm SPACING CONNECTOR (Cat. No. SLW__R-5C7LF)				
	SH NO.	1										
LINEAR	TOLERANCES UNLESS OTHERWISE SPECIFIED		DR	DATE	CUSTOMER COPY	<b>PRODUCT FAMILY</b> 58JF <b>CODE JP</b>						
	±0.3		ENGR	10/21/05	THIRD ANGLE PROJ							
ANGLES			CHK	10/31/05	UNIT	MM		INCH		<b>SCALE</b> A <b>SIZE</b> A <b>DWG. NO.</b> JSA 96305 <b>REV</b> B <b>SHEET</b> 0F		
DO NOT SCALE PRINT DF-140A REV A			THIS INFORMATION IS CONFIDENTIAL AND IS DISCLOSED TO YOU ON CONDITION THAT NO FURTHER DISCLOSURE IS MADE BY YOU TO OTHER THAN FCI PERSONNEL WITHOUT WRITTEN AUTHORIZATION FROM FCI JAPAN K.K.									

SC-SLW04 JSA96303

REVISIONS				
REV	DESCRIPTION	ECN	BY	DATE
A	Released	J05-0079	H.T	'05/2/'05
B	Added heat resistance	J05-0734	H.T	10/28/'05

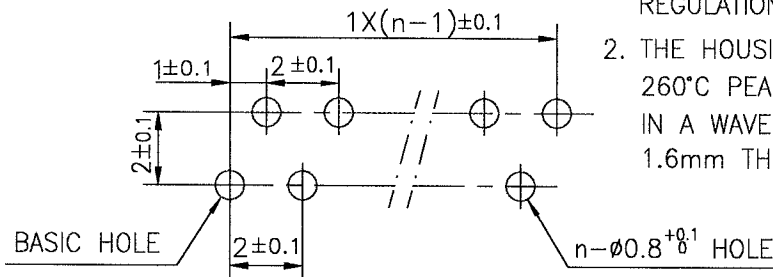


PT.NO.	PARTS NAME	MATERIAL	Q'TY	NOTE
1	HOUSING	NYLON RESIN GLASS REINFORCED (UL94V-0)	1	COLOR : BLACK
2	SLIDER		1	COLOR : WHITE
3	CONTACT	PHOSPHOR BRONZE	n	PLATING : MATTE PURE TIN (LEAD FREE)

RECOMMENDED PC BOARD

THICKNESS : 0.8~1.6  
HOLE PATTERN (COMPONENT SIDE)

1. THIS PRODUCT MEETS EUROPEAN UNION DIRECTIVES AND OTHER COUNTRY REGULATIONS AS DESCRIBED IN GS-22-008
2. THE HOUSING WILL WITHSTAND EXPOSURE TO 260°C PEAK TEMPERATURE FOR 10 SECONDS IN A WAVE SOLDER APPLICATION WITH A 1.6mm THICK CIRCUIT BOARD.

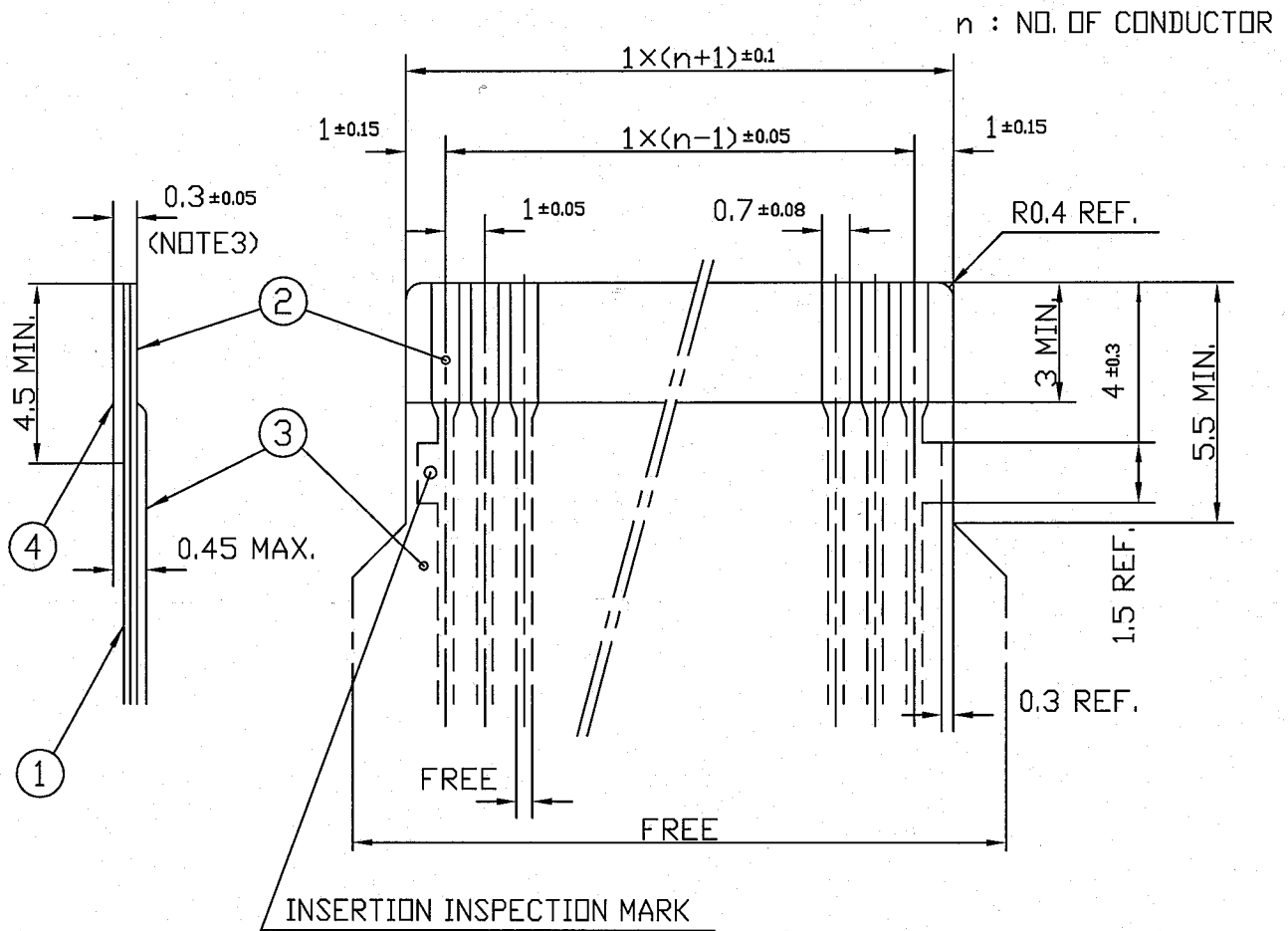


SHEET INDEX	ISSUE	B														
	SH NO.	1														
TOLERANCES UNLESS OTHERWISE SPECIFIED			DR	DATE	CUSTOMER COPY	TITLE						PRODUCT FAMILY		CODE JP		
± 0.3			ENGR	1-12/05	THIRD ANGLE PROJ											1mm SPACING CONNECTOR (Cat. No. SLW__S-5C7LF)
LINEAR				CHK	10/31/05	UNIT	SCALE						SIZE	DWG. NO.	REV	SHEET
ANGLES				APPD	11/1/05	MM	A						A	JSA 96304	B	DF
DO NOT SCALE PRINT THIS INFORMATION IS CONFIDENTIAL AND IS DISCLOSED TO YOU ON CONDITION THAT NO FURTHER DISCLOSURE IS MADE BY YOU TO OTHER THAN FCI PERSONNEL WITHOUT WRITTEN AUTHORIZATION FROM FCI JAPAN K.K.																
DF-140A REV A SC-SLW04 JSA96303																



RECOMMENDED CABLE (CIC)

REVISIONS				
REV	DESCRIPTION	ECN	BY	DATE
AA	Changed form.	J05-0079	H.T	2/18/05



PT. NO.	PARTS NAME	MATERIAL	THICKNESS (μm)	
1	BASE FILM	POLYESTER OR EQUAL	75	25
2	CONDUCTOR	CARBON PASTE OVER SILVER PASTE	10 MIN.	
3	OVERLAY	POLYIMIDE OR POLYESTER OR EQUAL	—	
4	SUPPORTING TAPE	POLYESTER OR POLYIMIDE OR EQUAL	188	250

NOTES

- NO BURR AT EACH PORTION.
- NO PEELING IN COMMON USE.
- TOTAL THICKNESS LIMIT OF EACH MATERIAL (INCLUDING ADHESIVE AGENT) IS SPECIFIED.

SHEET INDEX	ISSUE	A												
	SH NO.	1												
TOLERANCES UNLESS OTHERWISE SPECIFIED	DR	A. KOBAYASHI		DATE	2/18/05	CUSTOMER COPY		TITLE				RECOMMENDED CABLE (Cat. No. SLW__R/S-5__)		
	LINEAR	ENGR	<i>[Signature]</i>		DATE			2/18/05	PRODUCT FAMILY				58JF	
ANGLES	CHK	<i>[Signature]</i>		DATE	2/18/05	UNIT	MM	CODE JP						
DO NOT SCALE PRINT	APPD	<i>[Signature]</i>		DATE	2/18/05	INCH	SCALE				SIZE	DWG. NO.	REV	SHEET
DF-140A REV A	THIS INFORMATION IS CONFIDENTIAL AND IS DISCLOSED TO YOU ON CONDITION THAT NO FURTHER DISCLOSURE IS MADE BY YOU TO OTHER THAN FCI PERSONNEL WITHOUT WRITTEN AUTHORIZATION FROM FCI JAPAN K.K.						A		JSA 92759		AA	OF	Printed: Oct 12, 2005	

PDM: Rev:AA

STATUS: Released

Компания «Life Electronics» занимается поставками электронных компонентов импортного и отечественного производства от производителей и со складов крупных дистрибьюторов Европы, Америки и Азии.

С конца 2013 года компания активно расширяет линейку поставок компонентов по направлению коаксиальный кабель, кварцевые генераторы и конденсаторы (керамические, пленочные, электролитические), за счёт заключения дистрибьюторских договоров

Мы предлагаем:

- Конкуренспособные цены и скидки постоянным клиентам.
- Специальные условия для постоянных клиентов.
- Подбор аналогов.
- Поставку компонентов в любых объемах, удовлетворяющих вашим потребностям.
- Приемлемые сроки поставки, возможна ускоренная поставка.
- Доставку товара в любую точку России и стран СНГ.
- Комплексную поставку.
- Работу по проектам и поставку образцов.
- Формирование склада под заказчика.
- Сертификаты соответствия на поставляемую продукцию (по желанию клиента).
- Тестирование поставляемой продукции.
- Поставку компонентов, требующих военную и космическую приемку.
- Входной контроль качества.
- Наличие сертификата ISO.

В составе нашей компании организован Конструкторский отдел, призванный помогать разработчикам, и инженерам.

Конструкторский отдел помогает осуществить:

- Регистрацию проекта у производителя компонентов.
- Техническую поддержку проекта.
- Защиту от снятия компонента с производства.
- Оценку стоимости проекта по компонентам.
- Изготовление тестовой платы монтаж и пусконаладочные работы.



Тел: +7 (812) 336 43 04 (многоканальный)

Email: [org@lifeelectronics.ru](mailto:org@lifeelectronics.ru)