

# Rocker Switch **TRD Series**

*For Additional Options Refer to Page E4-E6*

### MATERIAL SPECIFICATIONS:

Contacts ..... Gold over nickel or silver plate  
 Case Material ..... Polyamide, black matte finish  
 Actuator Material ..... Polyamide  
 Terminals/Fixed Contacts ..... Copper alloy with gold or silver plate  
 Terminal Seal ..... Epoxy

### ENVIRONMENTAL SPECIFICATIONS:

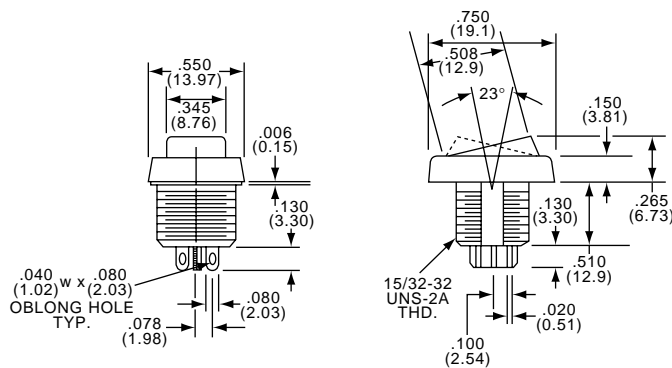
Operating Temperature ..... -4°F to +176°F (-20°C to +80°C)  
 Storage Temperature ..... -49°F to +199°F (-45°C to +93°C)

### TYPICAL PERFORMANCE CHARACTERISTICS:

Contact Rating ..... 0.4 VA Max. @ 20 VDC or peak AC  
 3 A @ 125 VAC or 28 VDC (2 pos.) 2A  
 Initial Contact Resistance ..... 20 Milliohms max.  
 Contact Timing ..... Break-before-make  
 Insulation Resistance ..... 1,000 Megohms min.  
 Dielectric Strength ..... 500 Volts RMS @ sea level  
 Actuator Travel ..... 23°  
 Life Expectancy ..... 2 Pos. - 100,000 actuations  
 3 Pos. - 50,000 actuations  
 UL recognized under the Component Program of Underwriters  
 Laboratories Inc. File #E46765

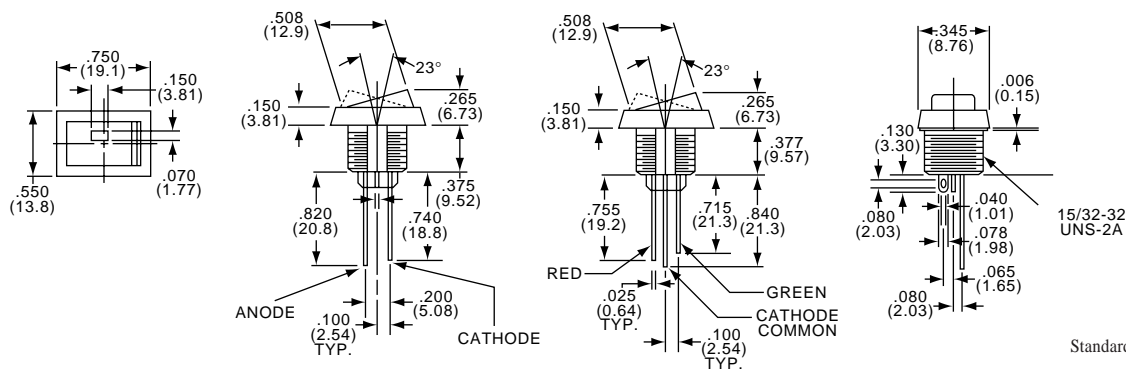
**NOTE:** Part numbering sequence page E4

**NOTE:** When hand soldering, solder with switch in closed position.  
 Solder temperature 550-600°F less than 5 seconds.



Model	Type	Function	Act. Code Pg. M8	Contact	Terminal	Model	Type	Function	Act. Code Pg. M8	Contact	Terminal
TRD11D1(*)WL	SPDT	On None On	1	Gold	Wire Lug	TRD13D1(*)WL	SPDT	On None On	1	Silver	Wire Lug
TRD11E1(*)WL	SPDT	On Off On	5	Gold	Wire Lug	TRD13E1(*)WL	SPDT	On Off On	5	Silver	Wire Lug
TRD11F1(*)WL	SPDT	On None (On)	1	Gold	Wire Lug	TRD13F1(*)WL	SPDT	On None (On)	1	Silver	Wire Lug
TRD21N1(*)WL	DPDT	On None On	2	Gold	Wire Lug	TRD23N1(*)WL	DPDT	On None On	2	Silver	Wire Lug
TRD21P1(*)WL	DP3T	On Off On	6	Gold	Wire Lug	TRD23P1(*)WL	DP3T	On Off On	6	Silver	Wire Lug
TRD21R1(*)WL	DPDT	On None (On)	2	Gold	Wire Lug	TRD23R1(*)WL	DPDT	On None (On)	2	Silver	Wire Lug

(\* Specify rocker color by adding suffix number: (0) Black (2) Red, (6) Blue (9) Yellow. (On) indicates momentary position.



Model	Type	Function	Act. Code Pg. M8	Contact	Terminal	Model	Type	Function	Act. Code Pg. M8	Contact	Terminal
TRD11D10WLLR(*)	SPDT	On None On	1	Gold	Wire Lug	TRD13D10WLLR(*)	SPDT	On None On	1	Gold	Wire Lug
TRD11E10WLLR(*)	SP3T	On Off On	5	Gold	Wire Lug	TRD13E10WLLR(*)	SP3T	On Off On	5	Gold	Wire Lug
TRD11F10WLLR(*)	SPDT	On None (On)	1	Gold	Wire Lug	TRD13F10WLLR(*)	SPDT	On None (On)	1	Gold	Wire Lug

(\* Specify LED color by adding suffix number: (2) Red, (4) Yellow, (5) Green, (25) Red/Green - Bi-color (On) indicates momentary position.

**Need more technical information?**  
 Consult your local Augat sales office  
 listed on the back cover

AUGAT Inc.  
 452 John L. Dietsch Blvd.  
 Attleboro Falls, MA 02763 USA  
 (508) 699-9800 FAX (800) 533-2526

# TRD Series *Rocker/Paddle • How To Order*

## MATERIAL SPECIFICATIONS:

Movable Contacts ..... Copper alloy w/silver inlay contact or gold plate  
 Terminals/Fixed Contacts ..... Copper alloy w/silver inlay contact or gold plate  
 Terminal Seal ..... Epoxy  
 Housing/Beveled Frame ..... Polyamide, black matte finish

## ENVIRONMENTAL SPECIFICATIONS:

Operating Temperature ..... -4°F to +176°F (-20°C to +80°C)  
 Storage Temperature ..... -49°F to +199°F (-45°C to +93°C)  
 Solder Heat Resistance ..... Meets MIL-STD-202, method 210

## TYPICAL PERFORMANCE CHARACTERISTICS:

Contact Rating ..... Silver: 3A max. @ 125 VAC, option 3  
 Gold: 0.4VA max. @ 20 VDC, option 1  
 Initial Contact Resistance ..... 20 Milliohms max.  
 Static Withstanding ..... 15KV, per IEC 801-2  
 Insulation Resistance ..... 1,000 Megohms min. @ 500 VDC  
 Dielectric Strength ..... 500 Volts RMS @ sea level  
 Electrical Life ..... 2 Pos. 20K cycles @ full rated 3A load, 80K @ 0.4VA, 3 pos. 10K cycles @ full rated 3A load, 60K @ 0.4VA

**\*NOTICE:** Caution should be used when hand-soldering. Solder heat Resistance -550°-600°F for less than 5 seconds. Solder with the switch in the closed position.

UL recognized under the Component Program of Underwriters Laboratories Inc. File #E46765

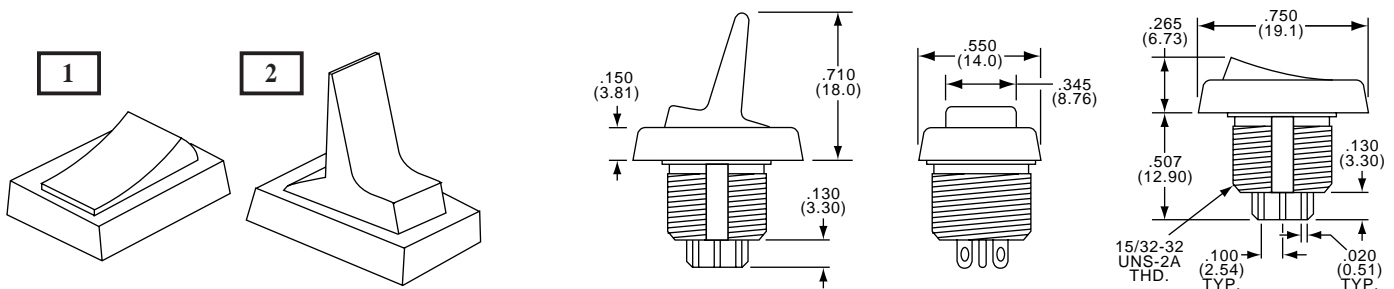
## HOW TO ORDER

See pages M2-M4 for application specific indexing.

E

Model	Contact Rating	Function	Actuator	Actuator Color	Terminal	Mount	L.E.D. Illumin.	L.E.D. Color	*UL								
<b>TRD1</b> Single Pole	Single Pole <b>D</b> on-on <b>E</b> on-off-on <b>F</b> on-(on) <b>G</b> (on)-off-(on) <b>H</b> on-off-(on)  Double Pole <b>N</b> on-on <b>P</b> on-off-on <b>R</b> on-(on) <b>S</b> (on)-off-(on) <b>T</b> on-off-(on)		<b>1</b> Rocker <b>2</b> Paddle  <b>0</b> black <b>2</b> red <b>6</b> blue <b>9</b> yellow	<b>WL</b> Wire Lug <b>WW</b> Wire Wrap <b>QC</b> Quick Connect <b>PC</b> Printed Circuit		<b>L</b> Beveled frame adaptor <b>LR</b> Integral w/rocker (TRD 1 only)		<input type="checkbox"/> None <input type="checkbox"/> Option <b>L</b> <b>2</b> red <b>4</b> yellow <b>5</b> green <b>25</b> bi-color red/green									
<b>TRD2</b> Double Pole																	
<b>1</b> Gold 0.4VA																	
<b>3</b> Silver 3A																	
<input type="checkbox"/> 15/32" round hole																	
<input type="checkbox"/> 1/2" square hole																	
Functions: Silver only, D, F, N, & R																	
Terminations Functions only: WL, WW or QC only																	

## ACTUATORS

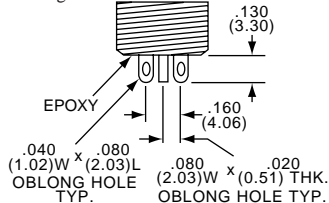


# How To Order • Rocker/Paddle **TRD Series**

## TERMINATIONS (Epoxy seal standard)

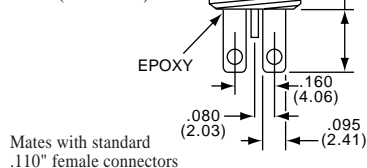
**WL**

Wire Lug



**QC**

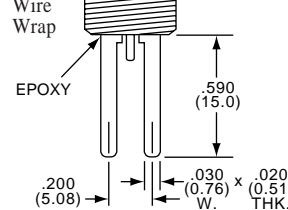
Quick Connect  
.110" (.020 thick)



Mates with standard  
.110" female connectors

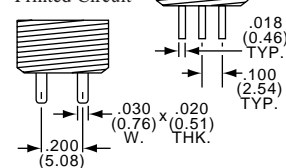
**WW**

Wire Wrap



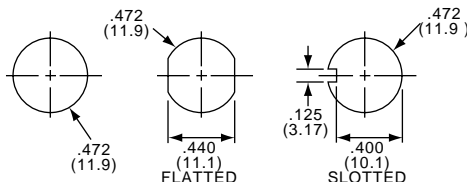
**PC**

Printed Circuit



### 15/32" HOLE STANDARD

Standard TRD bushing will mount in any hole shown below.



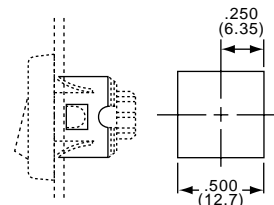
**Recommended panel thickness:**  
.030" to .250"

One hex nut, one internal tooth lock-washer supplied.

### 5 1/2" SQUARE CUTOUT SNAP-IN ADAPTOR

**Recommended panel thickness:**  
.030" to .125"

**Material:** bright stainless steel  
To specify adaptor separately, use P/N TRD10793



## CONTACTS/RATING/UL RECOGNITION

**1** 0.4VA Max. @ 20 VDC

Movable Contact: Copper alloy, gold plate  
Fixed Contact/Terminal: Copper alloy, gold plate

**3** 3A Max. @ 125 VAC

Movable Contact: Copper alloy, silver inlay  
Fixed Contact/Terminal: Copper alloy, silver inlay

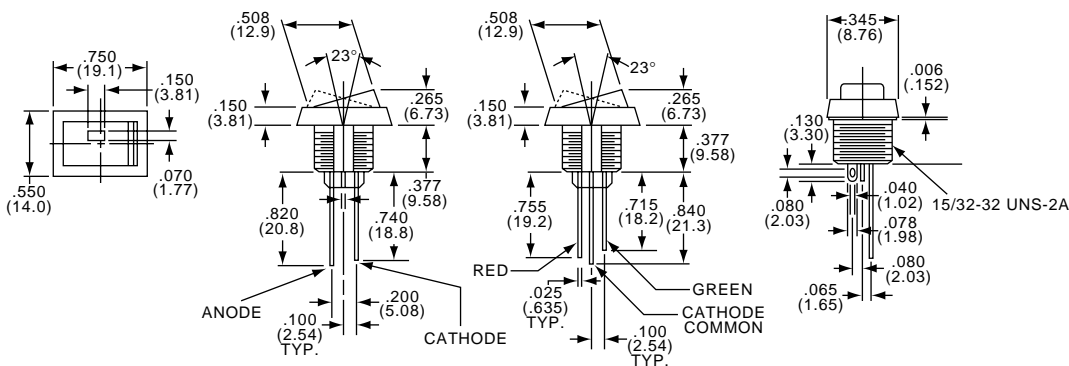
**UL**

For contact option 3  
Rating: 3A, 120 VAC(Resistive)  
File: E46765  
Underwriters Laboratories, Inc. marking stamped under beveled frame.

## L.E.D. ILLUMINATION - SINGLE AND BI-COLOR

**LR**

L.E.D. Integral  
(Rocker Actuator)  
All SPDT functions



Standard mounting dimensions apply, L.E.D. supplied in **2** red, **4** yellow, **5** green, or **25** red/green.

**L.E.D. Specifications: Max Voltage:** 2.8 VDC

**Max. Forward Current:** red-20mA, Yellow-25 mA, green-25 mA, red/green-40 mA.

**Need more technical information?**

Consult your local Augat sales office listed on the back cover

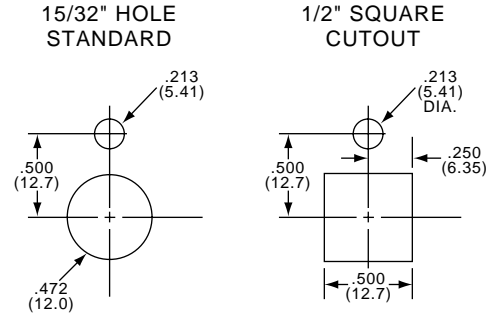
# TRD Series *Rocker/Paddle • How To Order*

## L L.E.D. BEVELE FRAME ADAPTOR (Accepts rectangular L.E.D.)



**Material:** Nylon 6/6  
**Color/Finish:** Black, matte

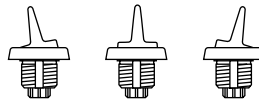
### MOUNTING



**Recommended Panel Thickness:** .030 to .220:

**Recommended Panel Thickness:** .030 to .095"

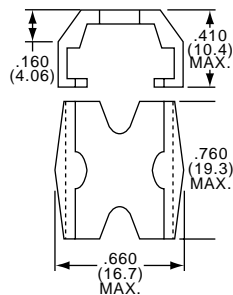
## E FUNCTIONS



Single Pole	Double Pole	123 456	123 456	123 456
D	N	On	None	On
E	P	On	Off	On
F	R	On	None	(On)
G	S	(On)	Off	(On)
H	T	On	Off	(On)
SPDT Terminals Connected		2-3	---	1-2
DPDT Terminals Connected		2-3 5-6	---	1-2 4-5

- None** No mechanical position
- Off** Mechanical position, no electrical connection
- (On)** Momentary mechanical position, electrical connection

## SWITCH GUARD



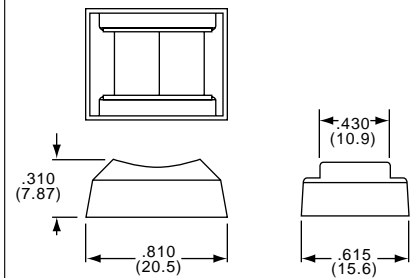
1. Insert switch in panel.
2. Attach lockwasher and hexnut.
3. Snap switch guard onto switch.
4. Tighten hex nut.



**Recommended Panel Thickness:**  
15/32" hole standard - .030 to .220  
15/32" square cutout - .030 to .095

**Material:** Nylon 6/6 **Color/Finish:** Black matte, Specify separately, P/N TRD10979

## ROCKER BOOT SEAL



To specify boot seal use P/N TRD11494

Компания «Life Electronics» занимается поставками электронных компонентов импортного и отечественного производства от производителей и со складов крупных дистрибьюторов Европы, Америки и Азии.

С конца 2013 года компания активно расширяет линейку поставок компонентов по направлению коаксиальный кабель, кварцевые генераторы и конденсаторы (керамические, пленочные, электролитические), за счёт заключения дистрибьюторских договоров

Мы предлагаем:

- Конкурентоспособные цены и скидки постоянным клиентам.
- Специальные условия для постоянных клиентов.
- Подбор аналогов.
- Поставку компонентов в любых объемах, удовлетворяющих вашим потребностям.
- Приемлемые сроки поставки, возможна ускоренная поставка.
- Доставку товара в любую точку России и стран СНГ.
- Комплексную поставку.
- Работу по проектам и поставку образцов.
- Формирование склада под заказчика.
- Сертификаты соответствия на поставляемую продукцию (по желанию клиента).
- Тестирование поставляемой продукции.
- Поставку компонентов, требующих военную и космическую приемку.
- Входной контроль качества.
- Наличие сертификата ISO.

В составе нашей компании организован Конструкторский отдел, призванный помогать разработчикам, и инженерам.

Конструкторский отдел помогает осуществить:

- Регистрацию проекта у производителя компонентов.
- Техническую поддержку проекта.
- Защиту от снятия компонента с производства.
- Оценку стоимости проекта по компонентам.
- Изготовление тестовой платы монтаж и пусконаладочные работы.



Тел: +7 (812) 336 43 04 (многоканальный)

Email: [org@lifeelectronics.ru](mailto:org@lifeelectronics.ru)