



**MICROCHIP**

---

**TC72**  
**Digital Temperature Sensor**  
**PICtail™ Demo Board**  
**User's Guide**

---

**Note the following details of the code protection feature on Microchip devices:**

- Microchip products meet the specification contained in their particular Microchip Data Sheet.
- Microchip believes that its family of products is one of the most secure families of its kind on the market today, when used in the intended manner and under normal conditions.
- There are dishonest and possibly illegal methods used to breach the code protection feature. All of these methods, to our knowledge, require using the Microchip products in a manner outside the operating specifications contained in Microchip's Data Sheets. Most likely, the person doing so is engaged in theft of intellectual property.
- Microchip is willing to work with the customer who is concerned about the integrity of their code.
- Neither Microchip nor any other semiconductor manufacturer can guarantee the security of their code. Code protection does not mean that we are guaranteeing the product as "unbreakable."

Code protection is constantly evolving. We at Microchip are committed to continuously improving the code protection features of our products. Attempts to break Microchip's code protection feature may be a violation of the Digital Millennium Copyright Act. If such acts allow unauthorized access to your software or other copyrighted work, you may have a right to sue for relief under that Act.

---

Information contained in this publication regarding device applications and the like is provided only for your convenience and may be superseded by updates. It is your responsibility to ensure that your application meets with your specifications. MICROCHIP MAKES NO REPRESENTATIONS OR WARRANTIES OF ANY KIND WHETHER EXPRESS OR IMPLIED, WRITTEN OR ORAL, STATUTORY OR OTHERWISE, RELATED TO THE INFORMATION, INCLUDING BUT NOT LIMITED TO ITS CONDITION, QUALITY, PERFORMANCE, MERCHANTABILITY OR FITNESS FOR PURPOSE. Microchip disclaims all liability arising from this information and its use. Use of Microchip devices in life support and/or safety applications is entirely at the buyer's risk, and the buyer agrees to defend, indemnify and hold harmless Microchip from any and all damages, claims, suits, or expenses resulting from such use. No licenses are conveyed, implicitly or otherwise, under any Microchip intellectual property rights.

**Trademarks**

The Microchip name and logo, the Microchip logo, Accuron, dsPIC, KEELOQ, microID, MPLAB, PIC, PICmicro, PICSTART, PRO MATE, PowerSmart, rfPIC and SmartShunt are registered trademarks of Microchip Technology Incorporated in the U.S.A. and other countries.

AmpLab, FilterLab, Migratable Memory, MXDEV, MXLAB, SEEVAL, SmartSensor and The Embedded Control Solutions Company are registered trademarks of Microchip Technology Incorporated in the U.S.A.

Analog-for-the-Digital Age, Application Maestro, dsPICDEM, dsPICDEM.net, dsPICworks, ECAN, ECONOMONITOR, FanSense, FlexROM, fuzzyLAB, In-Circuit Serial Programming, ICSP, ICEPIC, Linear Active Thermistor, Mindi, MiWi, MPASM, MPLIB, MPLINK, PICKit, PICDEM, PICDEM.net, PICLAB, PICTail, PowerCal, PowerInfo, PowerMate, PowerTool, REAL ICE, rLAB, rfPICDEM, Select Mode, Smart Serial, SmartTel, Total Endurance, UNI/O, WiperLock and ZENA are trademarks of Microchip Technology Incorporated in the U.S.A. and other countries.

SQTP is a service mark of Microchip Technology Incorporated in the U.S.A.

All other trademarks mentioned herein are property of their respective companies.

© 2006, Microchip Technology Incorporated, Printed in the U.S.A., All Rights Reserved.

 Printed on recycled paper.

**QUALITY MANAGEMENT SYSTEM  
CERTIFIED BY DNV  
== ISO/TS 16949:2002 ==**

*Microchip received ISO/TS-16949:2002 certification for its worldwide headquarters, design and wafer fabrication facilities in Chandler and Tempe, Arizona, Gresham, Oregon and Mountain View, California. The Company's quality system processes and procedures are for its PICmicro® 8-bit MCUs, KEELOQ® code hopping devices, Serial EEPROMs, microperipherals, nonvolatile memory and analog products. In addition, Microchip's quality system for the design and manufacture of development systems is ISO 9001:2000 certified.*



# TC72 DIGITAL TEMPERATURE SENSOR PICtail™ DEMO BOARD USER'S GUIDE

---

---

## Table of Contents

---

---

<b>Preface</b> .....	<b>1</b>
<b>Chapter 1. Product Overview</b> .....	<b>5</b>
1.1 Introduction .....	5
1.2 What is the TC72 Digital Temperature Sensor PICtail™ Demo Board? .....	5
1.3 What the TC72 Digital Temperature Sensor PICtail™ Demo Board Kit includes .....	5
<b>Chapter 2. Installation and Operation</b> .....	<b>7</b>
2.1 Introduction .....	7
2.2 Features .....	7
2.3 Getting Started .....	7
<b>Appendix A. Schematic and Layouts</b> .....	<b>13</b>
A.1 Introduction .....	13
A.2 Board Schematic .....	14
A.3 Board - Top Layer .....	14
A.4 Board - Silk Screen Layer .....	15
A.5 Board - Bottom Layer .....	15
<b>Appendix B. Bill Of Materials (BOM)</b> .....	<b>17</b>
<b>Worldwide Sales and Service</b> .....	<b>18</b>

# TC72 Digital Temperature Sensor PICtail™ Demo Board User's Guide

---

NOTES:



# TC72 DIGITAL TEMPERATURE SENSOR PICtail™ DEMO BOARD USER'S GUIDE

---

---

## Preface

---

---

### NOTICE TO CUSTOMERS

All documentation becomes dated, and this manual is no exception. Microchip tools and documentation are constantly evolving to meet customer needs, so some actual dialogs and/or tool descriptions may differ from those in this document. Please refer to our web site ([www.microchip.com](http://www.microchip.com)) to obtain the latest documentation available.

Documents are identified with a “DS” number. This number is located on the bottom of each page, in front of the page number. The numbering convention for the DS number is “DSXXXXA”, where “XXXX” is the document number and “A” is the revision level of the document.

### INTRODUCTION

This chapter contains general information that will be useful to know before using the TC72 Digital Temperature Sensor PICtail™ Demo Board. Items discussed in this chapter include:

- Document Layout
- Conventions Used in this Guide
- Recommended Reading
- The Microchip Web Site
- Customer Support
- Document Revision History

### DOCUMENT LAYOUT

This document describes how to use the TC72 Digital Temperature Sensor PICtail™ Demo Board as a development tool. The manual layout is as follows:

- **Chapter 1. “Product Overview”** – Important information about the TC72 Digital Temperature Sensor PICtail™ Demo Board.
- **Chapter 2. “Installation and Operation”**– Includes instructions on how to get started with the TC72 Digital Temperature Sensor PICtail™ Demo Board.
- **Appendix A. “Schematic and Layouts”** – Shows the schematic and layout diagrams for the TC72 Digital Temperature Sensor PICtail™ Demo Board.
- **Appendix B. “Bill Of Materials (BOM)”** – Lists the parts used to build the TC72 Digital Temperature Sensor PICtail™ Demo Board.

# TC72 Digital Temperature Sensor PICtail™ Demo Board User's Guide

## CONVENTIONS USED IN THIS GUIDE

This manual uses the following documentation conventions:

### DOCUMENTATION CONVENTIONS

Description	Represents	Examples
<b>Arial font:</b>		
Italic characters	Referenced books	<i>MPLAB® IDE User's Guide</i>
	Emphasized text	...is the <i>only</i> compiler...
Initial caps	A window	the Output window
	A dialog	the Settings dialog
	A menu selection	select Enable Programmer
Quotes	A field name in a window or dialog	"Save project before build"
Underlined, italic text with right angle bracket	A menu path	<u><i>File&gt;Save</i></u>
Bold characters	A dialog button	Click <b>OK</b>
	A tab	Click the <b>Power</b> tab
N'Rnnnn	A number in verilog format, where N is the total number of digits, R is the radix and n is a digit.	4'b0010, 2'hF1
Text in angle brackets < >	A key on the keyboard	Press <Enter>, <F1>
<b>Courier New font:</b>		
Plain Courier New	Sample source code	#define START
	Filenames	autoexec.bat
	File paths	c:\mcc18\h
	Keywords	_asm, _endasm, static
	Command-line options	-Opa+, -Opa-
	Bit values	0, 1
	Constants	0xFF, 'A'
Italic Courier New	A variable argument	<i>file.o</i> , where <i>file</i> can be any valid filename
Square brackets [ ]	Optional arguments	mcc18 [options] <i>file</i> [options]
Curly brackets and pipe character: {   }	Choice of mutually exclusive arguments; an OR selection	errorlevel {0 1}
Ellipses...	Replaces repeated text	var_name [, var_name...]
	Represents code supplied by user	void main (void) { ... }

## RECOMMENDED READING

For more information regarding the TC72 device, the following is recommended reading:

### TC72 Data Sheet "Digital Temperature Sensor w/SPI Interface" (DS21743)

This data sheet provides detailed information regarding the TC72 device.

## THE MICROCHIP WEB SITE

Microchip provides online support via our web site at [www.microchip.com](http://www.microchip.com). This web site is used as a means to make files and information easily available to customers. Accessible by using your favorite Internet browser, the web site contains the following information:

- **Product Support** – Data sheets and errata, application notes and sample programs, design resources, user's guides and hardware support documents, latest software releases and archived software
- **General Technical Support** – Frequently Asked Questions (FAQs), technical support requests, online discussion groups, Microchip consultant program member listing
- **Business of Microchip** – Product selector and ordering guides, latest Microchip press releases, listing of seminars and events, listings of Microchip sales offices, distributors and factory representatives

## CUSTOMER SUPPORT

Users of Microchip products can receive assistance through several channels:

- Distributor or Representative
- Local Sales Office
- Field Application Engineer (FAE)
- Technical Support
- Development Systems Information Line

Customers should contact their distributor, representative or field application engineer for support. Local sales offices are also available to help customers. A listing of sales offices and locations is included in the back of this document.

Technical support is available through the web site at: <http://support.microchip.com>.

## DOCUMENT REVISION HISTORY

### Revision B (May 2006)

- Updated Bill of Materials (BOM) to show RoHS-compliant part numbers.

### Revision A (June 2004)

- Initial Release of this Document.

# TC72 Digital Temperature Sensor PICtail™ Demo Board User's Guide

---

NOTES:





# TC72 DIGITAL TEMPERATURE SENSOR PICTail™ DEMO BOARD USER'S GUIDE

---

---

## Chapter 1. Product Overview

---

---

### 1.1 INTRODUCTION

This chapter provides an overview of the TC72 Digital Temperature Sensor PICTail™ Demo Board and covers the following topics:

- What is the TC72 Digital Temperature Sensor PICTail™ Demo Board?
- What the TC72 Digital Temperature Sensor PICTail™ Demo Board Kit includes

### 1.2 WHAT IS THE TC72 DIGITAL TEMPERATURE SENSOR PICTAIL™ DEMO BOARD?

The TC72 Digital Temperature Sensor PICTail™ Demo Board demonstrates how to interface the TC72 device to a PICmicro® microcontroller using the PICkit™ 1 Flash Starter Kit as a platform. A PIC16F676 14-pin Flash-based 8-bit CMOS microcontroller device is included with the demo board, which can be used with the PICkit 1 Flash Starter Kit, along with firmware that provides the SPI interface and temperature conversion routines to communicate with the TC72 and convert the serial data to temperature.

The TC72 Digital Temperature Sensor PICTail™ Demo Board can also be used as a “stand-alone” module to quickly add thermal-sensing capability to any existing application. This basic sensor functionality is implemented on a small Printed Circuit Board (PCB) and interfaced via a standard 100 mil header.

### 1.3 WHAT THE TC72 DIGITAL TEMPERATURE SENSOR PICTAIL™ DEMO BOARD KIT INCLUDES

This TC72 Digital Temperature Sensor PICTail™ Demo Board Kit includes:

- The TC72 Digital Temperature Sensor PICTail™ Demo Board (102-00013)
- TC72 Digital Temperature Sensor PICTail™ Demo Board User's Guide (DS51482)
- AN940, “Interfacing the TC72 Digital Temperature Sensor to a PICmicro® Microcontroller” (DS00940)
- PIC16F676 14-pin Flash-based 8-bit CMOS Microcontroller
- PIC16F676 Firmware (TC72\_PICTail.HEX)

# TC72 Digital Temperature Sensor PICtail™ Demo Board User's Guide

---

NOTES:

## Chapter 2. Installation and Operation

### 2.1 INTRODUCTION

The TC72 Digital Temperature Sensor PICtail™ Demo Board demonstrates how to interface the TC72 to a microcontroller, for use by the system designer as an example of how to integrate a digital temperature sensor into their system.

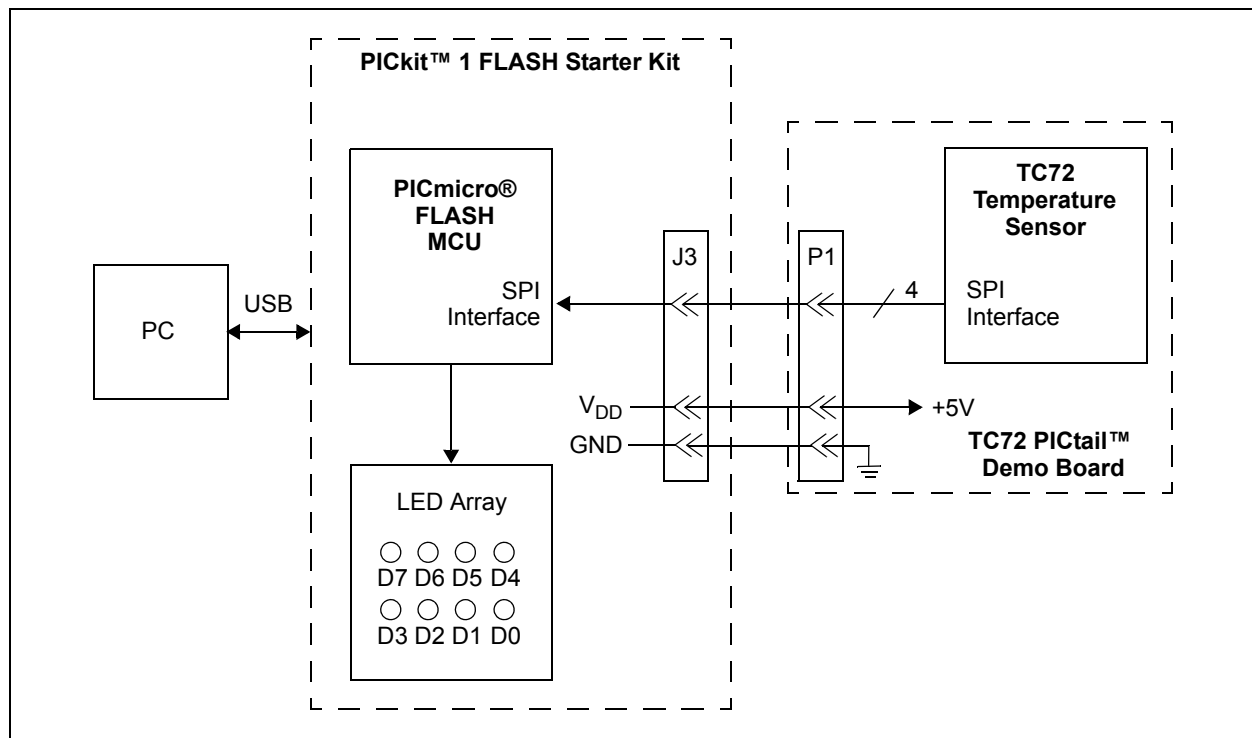
### 2.2 FEATURES

The TC72 Digital Temperature Sensor PICtail™ Demo Board has the following features:

- Small PCB layout
- Standard 100 mil 14-pin header (P1) for easy interface to the PICkit 1 Flash Starter Kit or custom application

### 2.3 GETTING STARTED

This section describes how to quickly set up the TC72 Digital Temperature Sensor PICtail™ Demo Board and PICkit 1 Flash Starter Kit. A block diagram of the setup is presented in Figure 2-1. Refer to Application Note 940, “*Interfacing the TC72 Digital Temperature Sensor to a PICmicro® Microcontroller*” (DS00940) for detailed information on the TC72 Digital Temperature Sensor PICtail Board and the TC72 PICtail.HEX firmware.

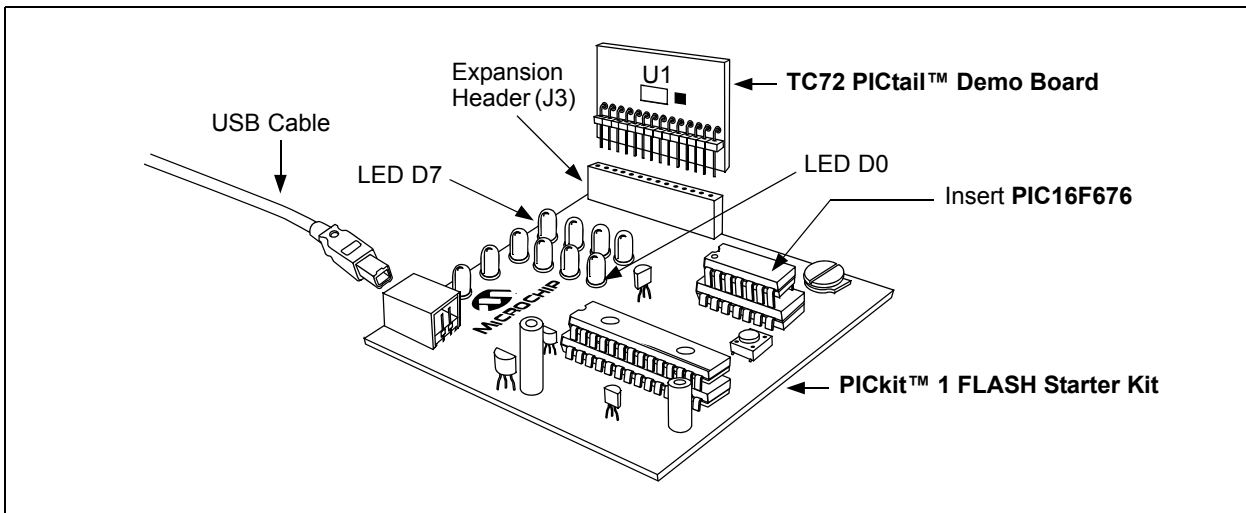


**FIGURE 2-1:** TC72 Digital Temperature Sensor PICtail™ Demo Board Block Diagram.

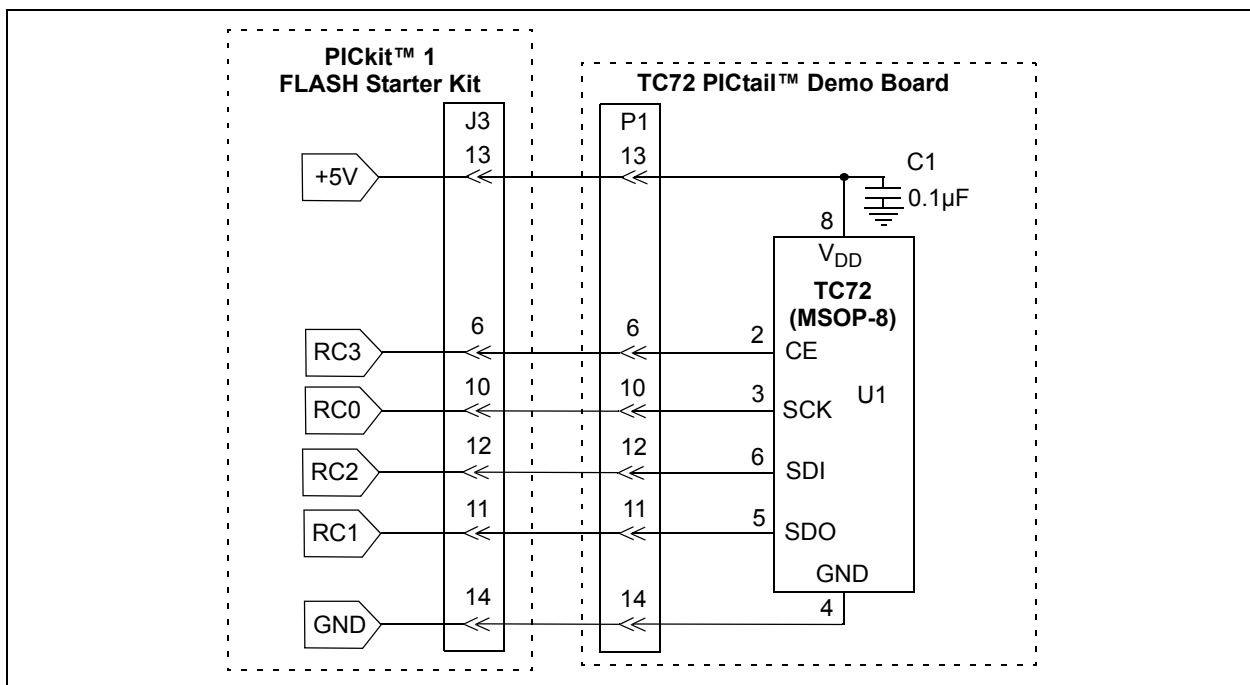
# TC72 Digital Temperature Sensor PICtail™ Demo Board User's Guide

## 2.3.1 Hardware Setup

1. Connect the P1 header of the TC72 Digital Temperature Sensor PICtail™ Demo Board to the J3 connector on the PICkit 1 Flash Starter Kit board. Refer to Figure 2-2 for proper orientation of the TC72 Digital Temperature Sensor PICtail™ Demo Board and Figure 2-3 for the simplified board schematic.
2. Insert the PIC16F676 into the evaluation socket of the PICkit 1 Flash Starter Kit board.
3. Connect the PICkit 1 Flash Starter Kit USB cable from the USB port of the PC to the USB port (J1) on the PICkit 1 Flash Starter Kit board. +5V power is supplied to the PICkit 1 Flash Starter Kit board via the USB cable. The green **POWER** LED and the red **BUSY** LED will turn on, indicating that power is being supplied to the board.



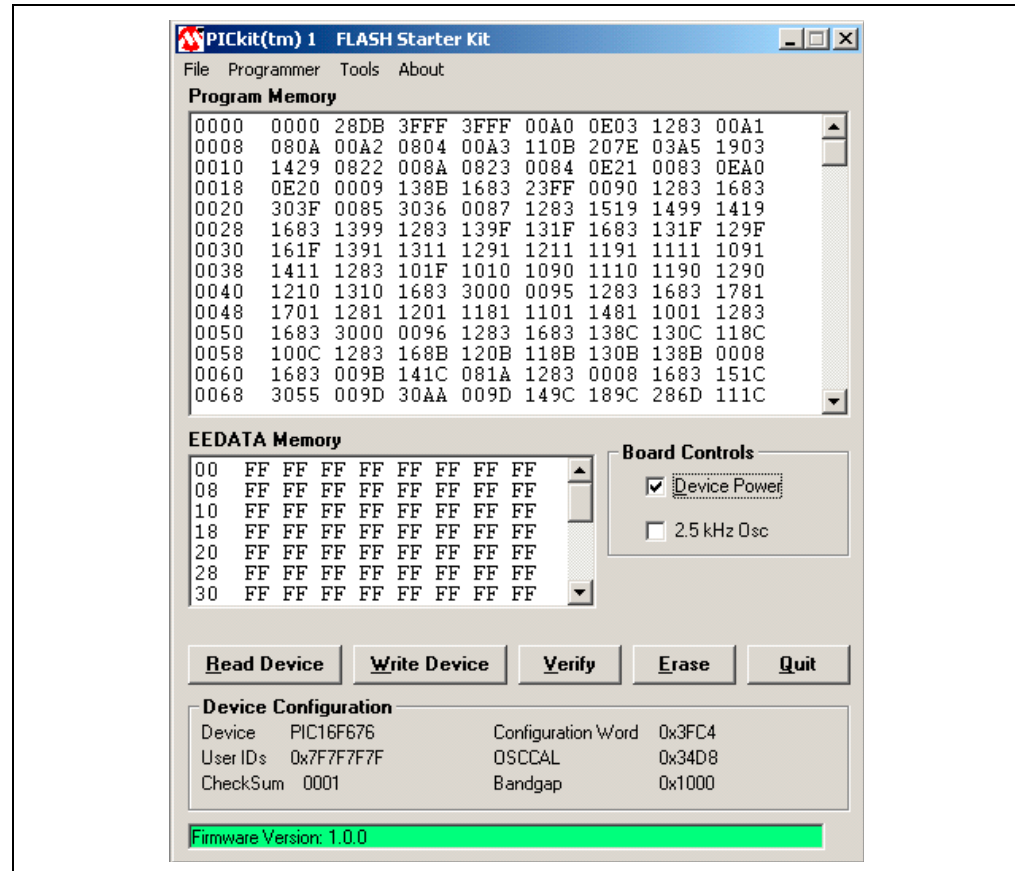
**FIGURE 2-2:** TC72 Digital Temperature Sensor PICtail™ Demo Board and PICkit™ 1 FLASH Starter Kit.



**FIGURE 2-3:** Simplified TC72 Digital Temperature Sensor PICtail™ Demo Board Schematic.

## 2.3.2 Programming the PIC16F676

1. Download and install the PICkit 1 Flash Starter Kit software to your PC.
2. Copy the TC72 PICtail.HEX file supplied on the CD that came with this kit to your PC.
3. Once the PICkit 1 Flash Starter Kit is started, the main window will be displayed on the PC as indicated in Figure 2-4.



**FIGURE 2-4:** PICkit™ 1 Flash Starter Kit GUI Window on the PC.

4. Toggle device power off by unchecking the **Device Power** box under **Board Controls** in the PICkit 1 Flash Starter Kit window (Figure 2-4). The **BUSY** LED on the PICkit 1 Flash Starter Kit board will turn off once the device power is turned off.
5. Click on the **Erase** button in the window to ensure that the PIC16F676 device has been erased.
6. From the **File** pull down menu, select **Import HEX**. A file window will appear. Select and open "**TC72 PICtail.HEX**".
7. Click on the **Write Device** button in the PICkit 1 Flash Starter Kit window. The PIC16F676 device will be written to by the TC72 PICtail.HEX firmware. When completed, the status bar at the bottom of the window will indicate **Write Successful**.
8. Toggle the device power on by checking the **Device Power** box under **Board Controls** in the PICkit 1 Flash Starter Kit window. The **BUSY** LED on the PICkit 1 Flash Starter Kit board will turn on once the device power is turned on. Some of the red LEDs (D7-D0) will turn on as well.

# TC72 Digital Temperature Sensor PICtail™ Demo Board User's Guide

---

At this point, the PIC16F676 is reading the temperature data from the TC72 and displaying the temperature on the eight red LEDs (D7-D0) on the PICKit 1 Flash Starter Kit board. The ten's digit of the temperature data is represented by bits, D7-D4, with D7 being defined as the Most Significant bit (MSb). The one's digit is defined by bits, D3-D0, with D3 serving as the MSb.

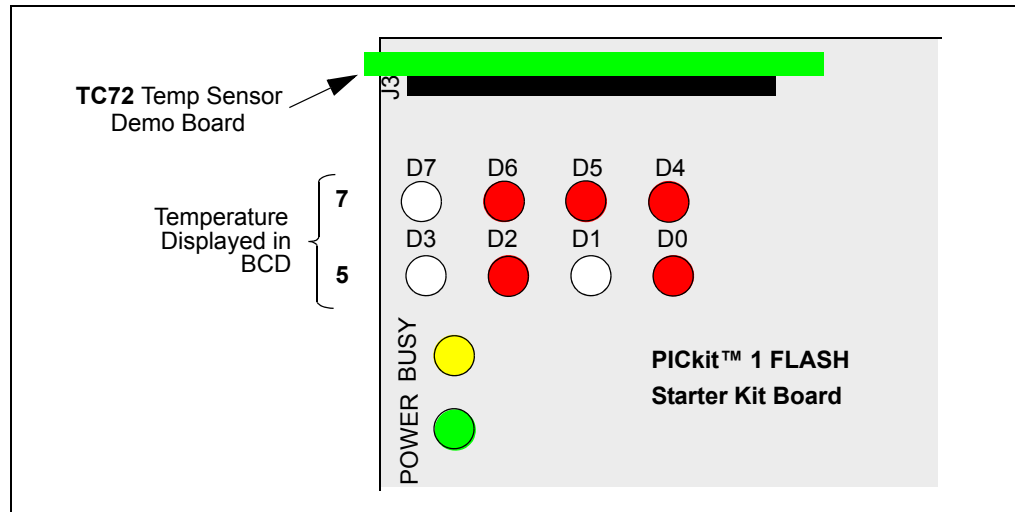
The temperature can be displayed in degrees Fahrenheit or Celsius. The board defaults to the temperature being displayed in Fahrenheit. To display the temperature in Celsius, depress the **SW1** push button switch on the PICKit 1 Flash Starter Kit board. The display will change back to Fahrenheit once the **SW1** push button switch is released.

Table 2-1 provides a list of the LED patterns that correspond to the Binary Code Decimal (BCD) coding representation of the temperature measurement.

**TABLE 2-1: BCD CODE REPRESENTATION ON PICKit™ 1 FLASH STARTER KIT LEDs**

Binary	BCD Number	D7 D3	D6 D2	D5 D1	D4 D0
0000	0	OFF	OFF	OFF	OFF
0001	1	OFF	OFF	OFF	ON
0010	2	OFF	OFF	ON	OFF
0011	3	OFF	OFF	ON	ON
0100	4	OFF	ON	OFF	OFF
0101	5	OFF	ON	OFF	ON
0110	6	OFF	ON	ON	OFF
0111	7	OFF	ON	ON	ON
1000	8	ON	OFF	OFF	OFF
1001	9	ON	OFF	OFF	ON

For example, a temperature reading of 75°F will be displayed by turning on LEDs D6, D5, D4, D2 and D0 (LEDs D7, D3 and D1 will be turned off), as indicated in Figure 2-5.



**FIGURE 2-5:** PICkit™ 1 Flash Starter Kit LED Display of 75°F.

The temperature display will change when the temperature of the TC72 is varied. A simple example of this can be seen by pressing your finger on the TC72 device (U1) on the TC72 Digital Temperature Sensor PICtail™ Demo Board. More dramatic changes can be seen by applying heat to the TC72 with a hair dryer or hot air gun, or by cooling the device down.

Refer to the TC72 data sheet, “*Digital Temperature Sensor with SPI™ Interface*” (DS21743), for more information on the TC72 and Application Note 940, “*Interfacing the TC72 Digital Temperature Sensor to a PICmicro® Microcontroller*” (DS00940) for more information on the TC72 Digital Temperature Sensor PICtail™ Demo Board and the TC72 PICtail.HEX firmware.

# TC72 Digital Temperature Sensor PICtail™ Demo Board User's Guide

---

NOTES:





# TC72 DIGITAL TEMPERATURE SENSOR PICtail™ DEMO BOARD USER'S GUIDE

---

---

## Appendix A. Schematic and Layouts

---

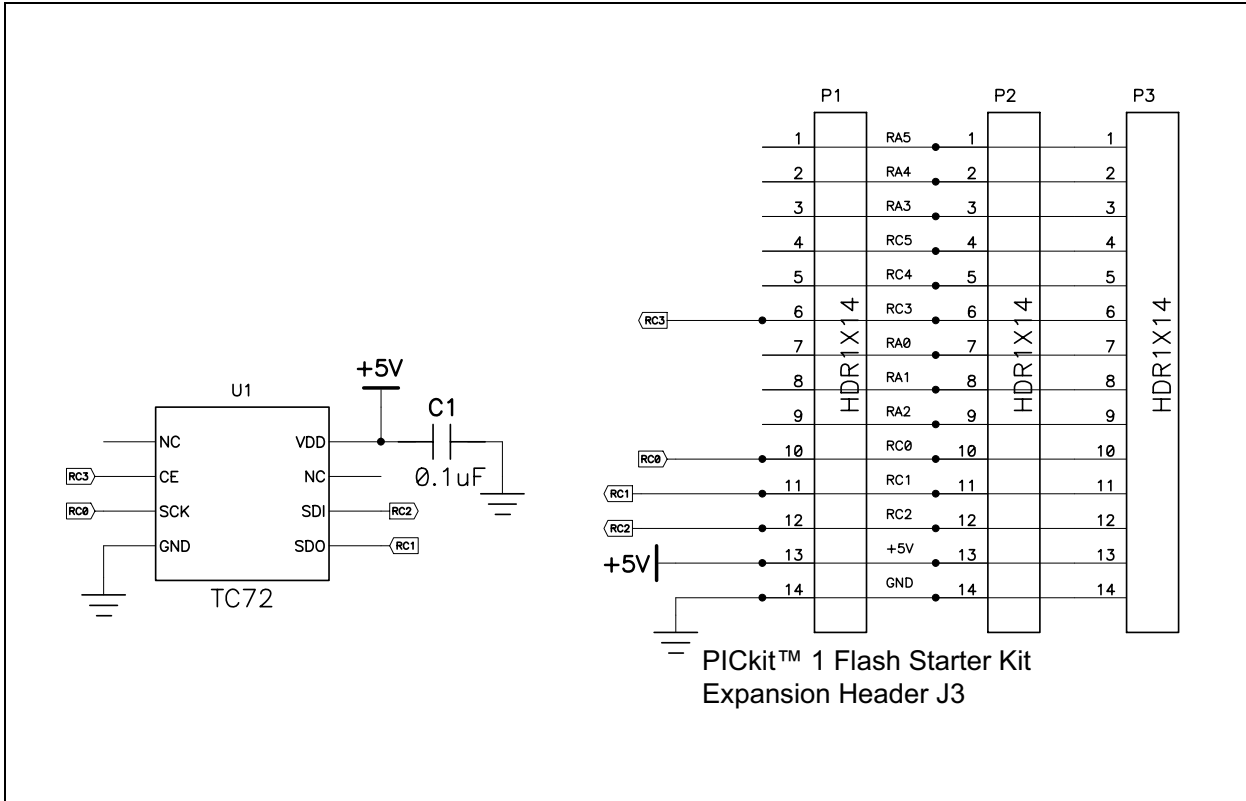
---

### A.1 INTRODUCTION

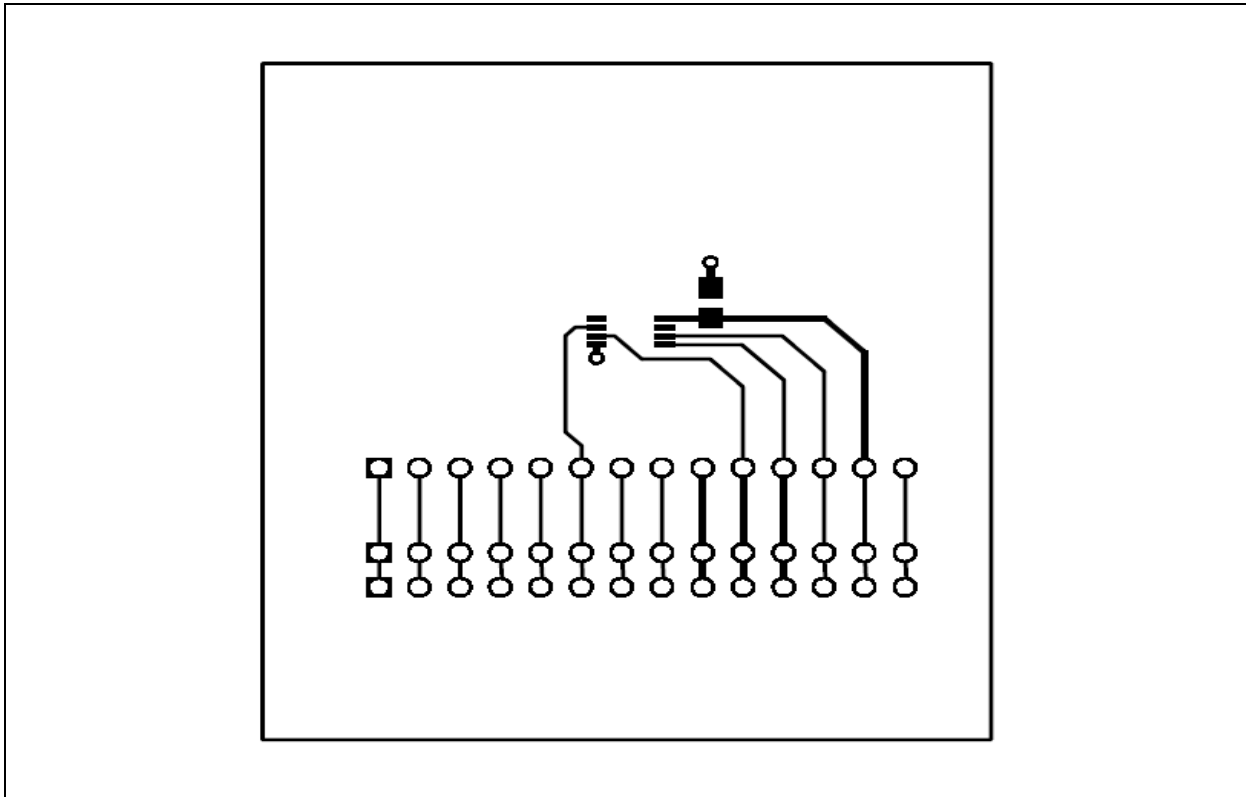
This appendix contains the following schematics and layouts for the TC72 Digital Temperature Sensor PICtail™ Demo Board:

- Board Schematic
- Board - Top Layer
- Board - Silk Screen Layer
- Board - Bottom Layer

## A.2 BOARD SCHEMATIC



## A.3 BOARD - TOP LAYER





# TC72 Digital Temperature Sensor PICtail™ Demo Board User's Guide

---

NOTES:



# TC72 DIGITAL TEMPERATURE SENSOR PICtail™ DEMO BOARD USER'S GUIDE

---

---

## Appendix B. Bill Of Materials (BOM)

---

---

Qty	Designator	Description	Manufacturer	Part Number
1	C1	CAP .1UF 25V CERAMIC X7R 0805	Panasonic® - ECG	ECJ-2VB1E104K
1	P1	CONN HEADER .100 SINGL R/A 14POS	Sullins Electronics Corp.	PEC14SBAN
1	Programmed PICmicro® Microcontroller	"Packaged in a Separate ESD Bag" PIC16F676 14-Pin Flash-based 8-bit CMOS Microcontroller.	Microchip Technology Inc.	PIC16F676-I/P
1	PCB	Lead Free RoHS-compliant PCBs	—	104-00013
1	U1	TC72 Digital Temperature Sensor	Microchip Technology Inc.	TC72-5.0MUA



**MICROCHIP**

## WORLDWIDE SALES AND SERVICE

### AMERICAS

#### Corporate Office

2355 West Chandler Blvd.  
Chandler, AZ 85224-6199  
Tel: 480-792-7200  
Fax: 480-792-7277  
Technical Support:  
<http://support.microchip.com>  
Web Address:  
[www.microchip.com](http://www.microchip.com)

#### Atlanta

Alpharetta, GA  
Tel: 770-640-0034  
Fax: 770-640-0307

#### Boston

Westborough, MA  
Tel: 774-760-0087  
Fax: 774-760-0088

#### Chicago

Itasca, IL  
Tel: 630-285-0071  
Fax: 630-285-0075

#### Dallas

Addison, TX  
Tel: 972-818-7423  
Fax: 972-818-2924

#### Detroit

Farmington Hills, MI  
Tel: 248-538-2250  
Fax: 248-538-2260

#### Kokomo

Kokomo, IN  
Tel: 765-864-8360  
Fax: 765-864-8387

#### Los Angeles

Mission Viejo, CA  
Tel: 949-462-9523  
Fax: 949-462-9608

#### San Jose

Mountain View, CA  
Tel: 650-215-1444  
Fax: 650-961-0286

#### Toronto

Mississauga, Ontario,  
Canada  
Tel: 905-673-0699  
Fax: 905-673-6509

### ASIA/PACIFIC

#### Australia - Sydney

Tel: 61-2-9868-6733  
Fax: 61-2-9868-6755

#### China - Beijing

Tel: 86-10-8528-2100  
Fax: 86-10-8528-2104

#### China - Chengdu

Tel: 86-28-8676-6200  
Fax: 86-28-8676-6599

#### China - Fuzhou

Tel: 86-591-8750-3506  
Fax: 86-591-8750-3521

#### China - Hong Kong SAR

Tel: 852-2401-1200  
Fax: 852-2401-3431

#### China - Qingdao

Tel: 86-532-8502-7355  
Fax: 86-532-8502-7205

#### China - Shanghai

Tel: 86-21-5407-5533  
Fax: 86-21-5407-5066

#### China - Shenyang

Tel: 86-24-2334-2829  
Fax: 86-24-2334-2393

#### China - Shenzhen

Tel: 86-755-8203-2660  
Fax: 86-755-8203-1760

#### China - Shunde

Tel: 86-757-2839-5507  
Fax: 86-757-2839-5571

#### China - Wuhan

Tel: 86-27-5980-5300  
Fax: 86-27-5980-5118

#### China - Xian

Tel: 86-29-8833-7250  
Fax: 86-29-8833-7256

### ASIA/PACIFIC

#### India - Bangalore

Tel: 91-80-4182-8400  
Fax: 91-80-4182-8422

#### India - New Delhi

Tel: 91-11-5160-8631  
Fax: 91-11-5160-8632

#### India - Pune

Tel: 91-20-2566-1512  
Fax: 91-20-2566-1513

#### Japan - Yokohama

Tel: 81-45-471-6166  
Fax: 81-45-471-6122

#### Korea - Gumi

Tel: 82-54-473-4301  
Fax: 82-54-473-4302

#### Korea - Seoul

Tel: 82-2-554-7200  
Fax: 82-2-558-5932 or  
82-2-558-5934

#### Malaysia - Penang

Tel: 60-4-646-8870  
Fax: 60-4-646-5086

#### Philippines - Manila

Tel: 63-2-634-9065  
Fax: 63-2-634-9069

#### Singapore

Tel: 65-6334-8870  
Fax: 65-6334-8850

#### Taiwan - Hsin Chu

Tel: 886-3-572-9526  
Fax: 886-3-572-6459

#### Taiwan - Kaohsiung

Tel: 886-7-536-4818  
Fax: 886-7-536-4803

#### Taiwan - Taipei

Tel: 886-2-2500-6610  
Fax: 886-2-2508-0102

#### Thailand - Bangkok

Tel: 66-2-694-1351  
Fax: 66-2-694-1350

### EUROPE

#### Austria - Wels

Tel: 43-7242-2244-399  
Fax: 43-7242-2244-393

#### Denmark - Copenhagen

Tel: 45-4450-2828  
Fax: 45-4485-2829

#### France - Paris

Tel: 33-1-69-53-63-20  
Fax: 33-1-69-30-90-79

#### Germany - Munich

Tel: 49-89-627-144-0  
Fax: 49-89-627-144-44

#### Italy - Milan

Tel: 39-0331-742611  
Fax: 39-0331-466781

#### Netherlands - Drunen

Tel: 31-416-690399  
Fax: 31-416-690340

#### Spain - Madrid

Tel: 34-91-708-08-90  
Fax: 34-91-708-08-91

#### UK - Wokingham

Tel: 44-118-921-5869  
Fax: 44-118-921-5820

02/16/06

Компания «Life Electronics» занимается поставками электронных компонентов импортного и отечественного производства от производителей и со складов крупных дистрибьюторов Европы, Америки и Азии.

С конца 2013 года компания активно расширяет линейку поставок компонентов по направлению коаксиальный кабель, кварцевые генераторы и конденсаторы (керамические, пленочные, электролитические), за счёт заключения дистрибьюторских договоров

Мы предлагаем:

- Конкурентоспособные цены и скидки постоянным клиентам.
- Специальные условия для постоянных клиентов.
- Подбор аналогов.
- Поставку компонентов в любых объемах, удовлетворяющих вашим потребностям.
- Приемлемые сроки поставки, возможна ускоренная поставка.
- Доставку товара в любую точку России и стран СНГ.
- Комплексную поставку.
- Работу по проектам и поставку образцов.
- Формирование склада под заказчика.
- Сертификаты соответствия на поставляемую продукцию (по желанию клиента).
- Тестирование поставляемой продукции.
- Поставку компонентов, требующих военную и космическую приемку.
- Входной контроль качества.
- Наличие сертификата ISO.

В составе нашей компании организован Конструкторский отдел, призванный помогать разработчикам, и инженерам.

Конструкторский отдел помогает осуществить:

- Регистрацию проекта у производителя компонентов.
- Техническую поддержку проекта.
- Защиту от снятия компонента с производства.
- Оценку стоимости проекта по компонентам.
- Изготовление тестовой платы монтаж и пусконаладочные работы.



Тел: +7 (812) 336 43 04 (многоканальный)

Email: [org@lifeelectronics.ru](mailto:org@lifeelectronics.ru)