

THIS DRAWING IS UNPUBLISHED. RELEASED FOR PUBLICATION
 © COPYRIGHT - By - ALL RIGHTS RESERVED.

| LOC | DIST | REVISIONS | | | | | |
|-----|------|-----------|-----|---------------|---------|-----|------|
| GP | 00 | P | LTR | DESCRIPTION | DATE | DWN | APVD |
| | | H1 | | ECR-11-025464 | 16DEC11 | RK | BVH |

NOTES:

- ⚠ PITCH TOLERANCE TO BE ±.18[.007] FOR 1.27[.050] PITCH JUMPERS & ±.25[.010] FOR ALL REMAINING PITCHES. TOLERANCE TO BE NON CUMULATIVE OVER GAUGE LENGTH.
- ⚠ 11.92-152.40[.500-6.000] ARE STANDARD LENGTHS. JUMPERS ARE AVAILABLE IN INCREMENTS OF 2.50[.10] PLUS 6.35[.25] AND 19.05[.75].
- ⚠ DELETED
- ⚠ FOR CONDUCTOR PITCH 7 (2mm), ON PAGE 2 & 3, DIMENSION "B" IS 2.00[.079]
- ⚠ SPECIAL PIN LENGTHS ARE AVAILABLE FOR JUMPERS WITH A PIN CONFIGURATION OF "A" OR "B" ON LENGTHS OF UP TO 609.6[24.0] IN 2.54[.100] & 5.08[.200] PITCH VARIANTS ONLY BY ADDING THE FOLLOWING SUFFIXES:

| SUFFIX | PEN LENGTH | TOLERANCE |
|--------|-------------|------------------|
| V1 | 2.85 (.112) | ±.305 [±.012] |
| V2 | 3.40 (.134) | |
| V3 | 4.10 (.161) | |
| V4 | 6.50 (.256) | |
| V5 | 3.10 (.122) | |
| V6 | 2.81 (.150) | |
| V7 | 4.50 (.177) | |
| V8 | 2.00 (.079) | |
| V9 | TBD | |
| V10 | .76 (.030) | |
| V11 | 2.41 (.095) | |



6. RECOMMENDED PCB HOLE DRILLING DETAILS ARE AS FOLLOWS:-

| PITCH A | ØG |
|-------------|------------|
| 1.27 (.050) | .70 (.028) |
| 1.90 (.075) | .80 (.031) |
| 2.54 (.100) | .95 (.037) |
| 3.18 (.125) | .95 (.037) |
| 3.81 (.150) | .95 (.037) |
| 5.08 (.200) | .95 (.037) |



| JUMPER LENGTH | PITCH (NOMINAL) | TRANSITION MAX | MAX/MIN MARGIN | △ PIN DIAMETER | WIRE GAUGE (AWG) | MIN/MAX No OF CONDUCTORS | MAXIMUM ADHESIVE FLOW | MIN GAP BETWEEN CONDUCTORS | CONDUCTOR WIDTH | MAXIMUM INSULATION MISMATCH | MAX THICKNESS |
|---|-----------------|----------------|---------------------------|-------------------------------|------------------|--------------------------|-----------------------|----------------------------|-------------------------|-----------------------------|---------------|
| R | A | T | C | E | - | - | V | X | Y | Z | D |
| 11.93 (.50) TO 863.6 (30.00) IN STEPS OF 2.50 (.10) PLUS 6.35 (.25) AND 19.05 (.75) | 1.00 (0.039) | 4.32 [.170] | 0.35 (0.014) 0.17 (.007) | 0.330 (.0130) 0.317 (.0125) | 28 | 2-70 | 0.38 (0.015) | 0.13 (0.009) | 0.76 (.030) 0.56 (.022) | .76 (.030) | .64 |
| | 1.25 (0.049) | 4.32 [.170] | 0.50 (0.020) 0.17 (0.007) | 0.330 (.0130) 0.317 (.0125) | 28 | 2-70 | 0.38 (0.015) | 0.25 (0.010) | 0.89 (.035) 0.64 (.025) | .76 (.030) | .64 |
| | 1.27 (0.050) | 4.32 [.170] | 0.50 (0.020) 0.17 (0.007) | 0.330 (.0130) 0.317 (.0125) | 28 | 2-70 | 0.38 (0.015) | 0.25 (0.010) | 0.89 (.035) 0.64 (.025) | .76 (.030) | .64 |
| | 2.00 (0.079) | 5.08 [.200] | 0.70 (0.028) 0.25 (0.010) | 0.416 (0.0164) 0.400 (0.0157) | 26 | 2-50 | 0.38 (0.015) | 0.38 (0.015) | 1.14 (.045) 0.89 (.035) | .76 (.030) | .84 |
| | 1.90 (0.075) | 5.08 [.200] | 0.70 (0.028) 0.25 (0.010) | 0.416 (0.0164) 0.400 (0.0157) | 26 | 2-50 | 0.38 (0.015) | 0.38 (0.015) | 1.14 (.045) 0.89 (.035) | .76 (.030) | .84 |
| | 2.54 (0.100) | 6.35 [.250] | 0.80 (0.031) 0.25 (0.010) | 0.526 (0.0207) 0.505 (0.0199) | 24 | 2-50 | 0.51 (0.020) | 0.51 (0.020) | 1.52 (.060) 1.27 (.050) | .76 (.030) | .84 |
| | 3.18 (0.125) | 6.35 [.250] | 1.00 (0.039) 0.25 (0.010) | 0.526 (0.0207) 0.505 (0.0199) | 24 | 2-25 | 0.51 (0.020) | 0.51 (0.020) | 1.52 (.060) 1.27 (.050) | .76 (.030) | .84 |
| | 3.81 (0.150) | 6.35 [.250] | 1.00 (0.039) 0.25 (0.010) | 0.526 (0.0207) 0.505 (0.0199) | 24 | 2-20 | 0.51 (0.020) | 0.51 (0.020) | 1.52 (.060) 1.27 (.050) | .76 (.030) | .84 |
| | 5.08 (0.200) | 6.35 [.250] | 1.00 (0.039) 0.25 (0.010) | 0.526 (0.0207) 0.505 (0.0199) | 24 | 2-15 | 0.51 (0.020) | 0.51 (0.020) | 1.52 (.060) 1.27 (.050) | .76 (.030) | .84 |

- ⚠ BEND RADIUS TO APPLY ONLY IN THE FLAT SECTION OF JUMPER BETWEEN THE CONDUCTOR TRANSITION AREAS.
- ⚠ PER 108-2135.
- 9. TOOL MARKS PERMISSIBLE ON BENDS. NO EXPOSED COPPER.
- ⚠ PIN DIAMETER SPECIFIED NOT APPLICABLE IN BENDING AREA OF PIN, DUE TO NORMAL DEFORMATION OF BENDING PROCESS.
- ⚠ REFER TO RELEVANT MATERIAL SPECIFICATIONS.

| F - MID POINT THICKNESS BETWEEN PT 1 & PT 2 | MINIMUM | MAXIMUM |
|---|-------------|-------------|
| | NOMEX® | .152 [.006] |
| POLYESTER | .152 [.006] | .305 [.012] |
| KAPTON® | .102 [.004] | .254 [.010] |
| TEFLON® | .305 [.012] | .533 [.021] |

12. PRODUCT AND PROCESSING MUST MEET REQUIREMENTS OF TE CONNECTIVITY STANDARD 230-702.

Nomex®, Teflon® and Kapton® are trademarks of E. I. DuPont de Nemours.

THIS DRAWING IS A CONTROLLED DOCUMENT.

DWN J. SCHWARTZ 28FEB01
 CHK E. FOX 28FEB01
 APVD E. FOX 28FEB01

STE TE Connectivity

FLEXSTRIP PIN CONFIGURATIONS, GENERIC

PRODUCT SPEC
 APPLICATION SPEC

SIZE A3 CAGE CODE 00779 DRAWING NO C-1474339 RESTRICTED TO -

SCALE N.T.S. SHEET 1 OF 4 REV H1

CUSTOMER DRAWING

THIS DRAWING IS UNPUBLISHED. RELEASED FOR PUBLICATION. LOC GP DIST 00

© COPYRIGHT - By - ALL RIGHTS RESERVED. REVISIONS

| P | LTR | DESCRIPTION | DATE | DWN | APVD |
|---|-----|-------------|------|-----|------|
| - | - | SEE SHEET 1 | - | - | - |

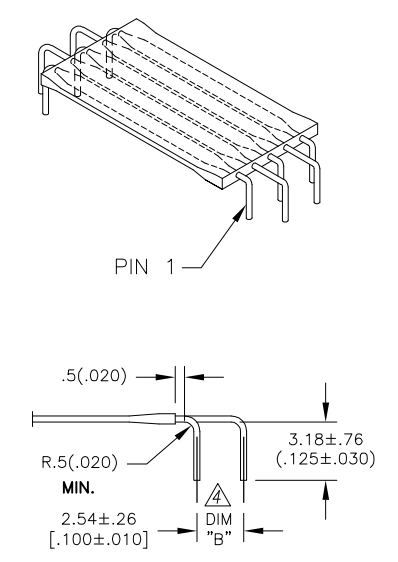
A - STRAIGHT PINS



B - RIGHT ANGLE PINS (BENT DOWN)



C - RIGHT ANGLE STAGGERED PINS (PIN 1 SHORT, BENT DOWN)



D - STRAIGHT ANGLE STAGGERED PINS (PIN 1 STRAIGHT)



STANDARD JUMPERS SMART DESCRIPTION



MANUFACTURING NOTE:

MINIMUM GAP BETWEEN STRIPS

| | |
|--------|----------|
| SK/A/Z | .75 INCH |
| LP | 1.1 INCH |

MINIMUM CONDUCTOR COUNT PER STRIP FOR LINE JOBS

| PITCH | CONDUCTOR |
|---------------|-----------|
| 1 1.27 (.050) | 60 |
| 2 2.54 (.100) | 60 |
| 3 3.18 (.125) | 60 |
| 4 3.81 (.150) | 50 |
| 5 5.08 (.200) | 40 |
| 6 1.91 (.075) | 60 |
| 7 2.0 (.078) | 60 |
| 8 1.24 (.049) | 60 |
| 9 1.0 (.039) | 80 |

STANDARD LINE JOBS



THE FOLLOWING ORDERING CODE IS A SPECIAL FOR TE CONNECTIVITY GERMANY DESCRIBING A STRIP OF ANY INSULATION MATERIAL, ANY PITCH AND ANY INSULATION LENGTH WITH A 11.00[.433] MIN PIN LENGTH UNLESS OTHERWISE SPECIFIED:-

FS X-X X J-A A W

Nomex®, Teflon® and Kapton® are trademarks of E. I. DuPont de Nemours.

THIS DRAWING IS A CONTROLLED DOCUMENT.

| | |
|-------------------------|--|
| DIMENSIONS: MM [INCHES] | TOLERANCES UNLESS OTHERWISE SPECIFIED: |
| | 0 PLC ± - |
| | 1 PLC ± - |
| | 2 PLC ± - |
| | 3 PLC ± - |
| | 4 PLC ± - |
| | ANGLES ± 1/2° |
| MATERIAL | FINISH |
| - | - |

| | | |
|------------------|-------------|---------|
| DWN | J. SCHWARTZ | 28FEB01 |
| CHK | E. FOX | 28FEB01 |
| APVD | E. FOX | 28FEB01 |
| PRODUCT SPEC | - | - |
| APPLICATION SPEC | - | - |
| WEIGHT | - | - |

| | | | | | | | |
|------------------|-----------|------------|---------------|---------------------------------------|--|---------------|--|
| TE Connectivity | | | | NAME | | RESTRICTED TO | |
| | | | | FLEXSTRIP PIN CONFIGURATIONS, GENERIC | | | |
| SIZE | CAGE CODE | DRAWING NO | RESTRICTED TO | | | | |
| A3 | 00779 | C-1474339 | - | | | | |
| CUSTOMER DRAWING | | SCALE | SHEET | REV | | | |
| | | N.T.S. | 2 OF 4 | H1 | | | |

THIS DRAWING IS UNPUBLISHED. RELEASED FOR PUBLICATION
 © COPYRIGHT - By - ALL RIGHTS RESERVED.

| LOC | DIST | REVISIONS | | | | | |
|-----|------|-----------|-----|-------------|------|-----|------|
| GP | 00 | P | LTR | DESCRIPTION | DATE | DWN | APVD |
| | | - | | SEE SHEET 1 | - | - | - |



**SPECIAL JUMPERS
SMART DESCRIPTION**

FS N - 1 3.25 A G - 20 V1

(SEE NOTE 5)

FLEXSTRIP PRODUCT CODE

INSULATION MATERIAL:
 N - NOMEX®
 P - POLYESTER
 T - TEFLON®
 K - KAPTON®

CONDUCTOR PITCH:
 1 - 1.27(.050)
 2 - 2.54(.100)
 3 - 3.18(.125)
 4 - 3.81(.150)
 5 - 5.08(.200)
 6 - 1.90(.075)
 7 - 2.00(.078)
 8 - 1.25(.049)
 9 - 1.00(.039)

SPECIAL PIN LENGTH
 V1 - 2.84(.112)
 V2 - 3.40(.134)
 V3 - 4.09(.161)
 V4 - 6.50(.256)
 V5 - 3.01(.122)
 V6 - 3.81(.150)
 V7 - 4.50(.177)
 V8 - 2.01(.079)
 V9 - TBD
 V10 - .76 (.030)
 V11 - 2.41(.095)

NUMBER OF CONDUCTORS (SEE MAX./MIN. PAGE 1)

PIN ARRANGEMENT (RIGHT)

PIN ARRANGEMENT (LEFT)

| CONDUCTOR PITCH | BENDS AVAILABLE |
|------------------|-----------------|
| 1 - 1.27/(.050) | E,F,G,H,J,K,L |
| 2 - 2.54/(.100) | E,F,G,H,J,K,L |
| 3 - 3.18/(.125) | E |
| 4 - 3.81/(.150) | E |
| 5 - 5.08/(.200) | E |
| 6 - 1.91/(.075) | E,F,G,H,J,K,L |
| 7 - 2.00/(.0787) | E,F,G,H,J,K,L |
| 8 - 1.25/(.049) | E |
| 9 - 1.00/(.039) | E |

| |
|-----------------------|
| E THRU L BEND |
| "A" DIM |
| 3.18±0.76/(.125±.030) |
| "B" DIM |
| 2.54±0.25/(.100±.010) |

SPECIAL FLEXSTRIP BENDS
 SPECIAL FLEXSTRIP BENDS
 E THRU R, AND Z MAY APPLY TO EITHER
 LEFT OF RIGHT SIDE

INSULATION LENGTH: (in inches)
 .50 MIN. - 30.0 MAX.
 IN .10 INCREMENTS PLUS .25 AND .75

Nomex®, Teflon® and Kapton® are trademarks of E. I. DuPont de Nemours.

THIS DRAWING IS A CONTROLLED DOCUMENT.

| | | | |
|----------------------------|--|---|-----------------|
| DIMENSIONS: MM [INCHES] | TOLERANCES UNLESS OTHERWISE SPECIFIED: | DWN J. SCHWARTZ 28FEB01 | TE Connectivity |
| | 0 PLC ± - | CHK E. FOX 28FEB01 | |
| | 1 PLC ± - | APVD E. FOX 28FEB01 | |
| MATERIAL | FINISH | NAME FLEXSTRIP PIN CONFIGURATIONS, GENERIC | |

| | | | | |
|------------------|------------------|-----------|------------|---------------|
| PRODUCT SPEC | SIZE | CAGE CODE | DRAWING NO | RESTRICTED TO |
| APPLICATION SPEC | A3 | 00779 | C-1474339 | - |
| WEIGHT | CUSTOMER DRAWING | | SCALE | SHEET |
| - | - | | N.T.S. | 3 OF 4 |
| | | | | REV H1 |

THIS DRAWING IS UNPUBLISHED. RELEASED FOR PUBLICATION
 © COPYRIGHT - By - ALL RIGHTS RESERVED.

| | | | | | |
|-----------|------------|-------------|------|-----|------|
| LOC GP | DIST 00 | REVISIONS | | | |
| P | LTR | DESCRIPTION | DATE | DWN | APVD |
| | - | SEE SHEET 1 | - | - | - |

| | | | | | | | | | | |
|---|------------------|--|--|--|--|--|--|--|--|--|
| NORMAL CONDUCTOR PITCH | | 1.00 (.039) | 1.25 (.049) | 1.27 (.050) | 1.90 (.075) | 2.00 (.078) | 2.54 (.100) | 3.18 (.125) | 3.81 (.150) | 5.08 (.200) |
| WIRE GAUGE | | AWG 28 | AWG 28 | AWG 28 | AWG 26 | AWG 26 | AWG 24 | AWG 24 | AWG 24 | AWG 24 |
| NOMINAL WIRE DIAMETER | | .32(.0126) | .32(.0126) | .32(.0126) | .40(.0159) | .40(.0159) | .51(.0201) | .51(.0201) | .51(.0201) | .51(.0201) |
| CURRENT RATING | | 8 | 8 | 8 | 8 | 8 | 8 | 8 | 8 | 8 |
| VOLTAGE RATING | | 8 | 8 | 8 | 8 | 8 | 8 | 8 | 8 | 8 |
| MAX NUMBER OF CONDUCTORS PER JUMPER | | 8 | 8 | 8 | 8 | 8 | 8 | 8 | 8 | 8 |
| MIN BREAKDOWN VOLTAGE @ 1 MIN | | 8 | 8 | 8 | 8 | 8 | 8 | 8 | 8 | 8 |
| INSULATION RESISTANCE (GND. SIG. GND) 305 (12") SAMPLE @ 500VDC | P N T K | 8 | 8 | 8 | 8 | 8 | 8 | 8 | 8 | 8 |
| CAPACITANCE (pf / 50.8 (12") LENGTH) (GND, SIG, GND) (AVERAGE) | P N T K | 8 | 8 | 8 | 8 | 8 | 8 | 8 | 8 | 8 |
| CHARACTERISTIC IMPEDANCE (GND. SIG. GND) (AVERAGE) | P N T K | 8 | 8 | 8 | 8 | 8 | 8 | 8 | 8 | 8 |
| APPLICATION TEMP RANGE (C°) (FOR SOLDERING) | P N T K | 200 / 4 sec 200 / 4 sec 240 / 4 sec 240 / 4 sec | 200 / 4 sec 200 / 4 sec 240 / 4 sec 240 / 4 sec | 200 / 4 sec 200 / 4 sec 240 / 4 sec 240 / 4 sec | 200 / 4 sec 200 / 4 sec 240 / 4 sec 240 / 4 sec | 200 / 4 sec 200 / 4 sec 240 / 4 sec 240 / 4 sec | 250 / 4 sec 250 / 4 sec 260 / 5 sec 260 / 5 sec | 250 / 4 sec 250 / 4 sec 260 / 5 sec 260 / 5 sec | 250 / 4 sec 250 / 4 sec 260 / 5 sec 260 / 5 sec | 250 / 4 sec 250 / 4 sec 260 / 5 sec 260 / 5 sec |
| OPERATING TEMPERATURE (C°) | P N T K | -40 to 105 (For all Conductor Pitches) -40 to 125 (For all Conductor Pitches) -40 to 150 (For all Conductor Pitches) -40 to 150 (For all Conductor Pitches) | | | | | | | | |
| MINIMUM BEND RADIUS | P N T K | 3.18mm (For all Conductor Pitches) 3.18mm (For all Conductor Pitches) 3.18mm (For all Conductor Pitches) 3.18mm (For all Conductor Pitches) | | | | | | | | |
| UL STYLE NUMBER | P N T K | 2639 (For all Conductor Pitches .100 and above) 5456 (For all Conductor Pitches .100 and above) 2928 (For all Conductor Pitches .100 and above) 2927 (For all Conductor Pitches .100 and above) | | | | | | | | |

| ABR. | MATERIAL | SPECIFICATION |
|------|-------------|---------------|
| | COPPER WIRE | 100-1577 |
| P | POLYESTER | 100-1575 |
| N | NOMEX® | 100-1758 |
| T | TEFLON® | 100-1574 |
| K | KAPTON® | 100-1576 |

Nomex®, Teflon® and Kapton® are trademarks of E. I. DuPont de Nemours.

| | | | | | | |
|---|--------|-------------------------------|---|-----------|------------|---------------|
| THIS DRAWING IS A CONTROLLED DOCUMENT. | | DWN J. SCHWARTZ 28FEB01 |  TE Connectivity | | | |
| DIMENSIONS: MM [INCHES] | | CHK E. FOX 28FEB01 | | | | |
| TOLERANCES UNLESS OTHERWISE SPECIFIED: | | APVD E. FOX 28FEB01 | NAME FLEXSTRIP PIN CONFIGURATIONS, GENERIC | | | |
|  | | PRODUCT SPEC | - | | | |
| 0 PLC ± - 1 PLC ± - 2 PLC ± - 3 PLC ± - 4 PLC ± - ANGLES ± 1/2° | | APPLICATION SPEC | - | | | |
| MATERIAL | FINISH | WEIGHT | SIZE | CAGE CODE | DRAWING NO | RESTRICTED TO |
| - | - | - | A3 | 00779 | C-1474339 | - |
| CUSTOMER DRAWING | | | SCALE | SHEET | REV | |
| | | | N.T.S. | 4 OF 4 | H1 | |

Компания «Life Electronics» занимается поставками электронных компонентов импортного и отечественного производства от производителей и со складов крупных дистрибьюторов Европы, Америки и Азии.

С конца 2013 года компания активно расширяет линейку поставок компонентов по направлению коаксиальный кабель, кварцевые генераторы и конденсаторы (керамические, пленочные, электролитические), за счёт заключения дистрибьюторских договоров

Мы предлагаем:

- Конкурентоспособные цены и скидки постоянным клиентам.
- Специальные условия для постоянных клиентов.
- Подбор аналогов.
- Поставку компонентов в любых объемах, удовлетворяющих вашим потребностям.
- Приемлемые сроки поставки, возможна ускоренная поставка.
- Доставку товара в любую точку России и стран СНГ.
- Комплексную поставку.
- Работу по проектам и поставку образцов.
- Формирование склада под заказчика.
- Сертификаты соответствия на поставляемую продукцию (по желанию клиента).
- Тестирование поставляемой продукции.
- Поставку компонентов, требующих военную и космическую приемку.
- Входной контроль качества.
- Наличие сертификата ISO.

В составе нашей компании организован Конструкторский отдел, призванный помогать разработчикам, и инженерам.

Конструкторский отдел помогает осуществить:

- Регистрацию проекта у производителя компонентов.
- Техническую поддержку проекта.
- Защиту от снятия компонента с производства.
- Оценку стоимости проекта по компонентам.
- Изготовление тестовой платы монтаж и пусконаладочные работы.



Тел: +7 (812) 336 43 04 (многоканальный)

Email: org@lifeelectronics.ru