



Multi-Channel Low-Voltage Remote Diode Sensor Family

EMC1812/13/14/15/33 Data Sheet

Features

- Measures Temperature Rate of Change Calculation with Preemptive Alert(s) Limits
- Up to Four External Temperature Monitors:
 - **8 Lead Devices:** $\pm 1^{\circ}\text{C}$ maximum accuracy (-20°C to $+105^{\circ}\text{C}$ T_A , -40°C to $+125^{\circ}\text{C}$ T_D)
 - $\pm 1.5^{\circ}\text{C}$ maximum accuracy (-40°C to $+125^{\circ}\text{C}$ T_A , -40°C to $+125^{\circ}\text{C}$ T_D)
 - **10 Lead Devices:** $\pm 1^{\circ}\text{C}$ maximum accuracy (-20°C to $+125^{\circ}\text{C}$ T_A , -40°C to $+125^{\circ}\text{C}$ T_D)
 - $\pm 1.5^{\circ}\text{C}$ maximum accuracy (-40°C to $+125^{\circ}\text{C}$ T_A , -40°C to $+125^{\circ}\text{C}$ T_D)
- Internal Temperature Sensor:
 - $\pm 1^{\circ}\text{C}$ maximum accuracy, -40°C to $+125^{\circ}\text{C}$
- Temperature Sensor Resolution (Internal/External): 0.125°C
- SMBus/I²C-Compatible Interface (up to 400 kHz)
 - Programmable or fixed address options
- Configurable Alert Pins
- Operating Voltage: 1.62V to 3.6V
- Temperature Range: -40°C to $+125^{\circ}\text{C}$
- Other Features: Auto-Beta Compensation, Configurable Ideality Factor, Hottest Diode Compare, Resistance Error Correction
- Available in 8-Lead 2x2 mm WDFN and 10-Lead 2.5x2.0 mm VDFN Packages

Typical Applications

- Temperature Sensitive Storage
- Industrial
- IoT for Low-System Voltage
- Portable Electronics
- Handheld Gaming
- Computing
- Food Storage

Description

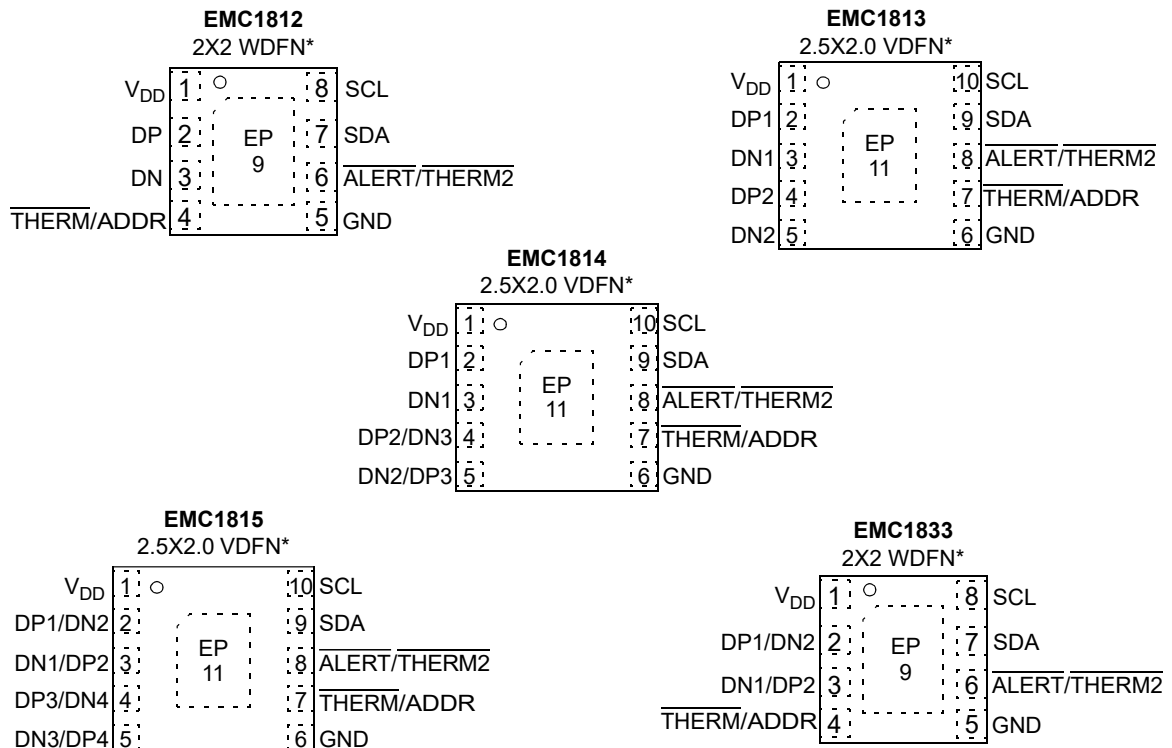
The EMC1812/13/14/15/33 devices are high-accuracy, 2-wire (I²C) temperature sensors. The devices monitor up to five temperature channels. Advanced features, such as Resistance Error Correction (REC), Beta Compensation (to support CPU diodes requiring the BJT/Transistor model), and rate of temperature change measurement combine to provide a robust solution for complex environmental monitoring applications.

Multi-Channel Low-Voltage Remote Diode Sensor Family

This device family introduces rate of change temperature measurement with associated alerts. This provides a preemptive system alert and another protective measurement layer to catch and manage variable system temperatures.

The Resistance Error Correction feature automatically eliminates the temperature error caused by series resistance, allowing for greater flexibility in routing thermal diodes. Beta compensation eliminates temperature errors caused by low, variable beta transistors common in current fine geometry processors. The automatic beta detection feature determines the optimal sensor external diode/transistor settings. This frees up the user from providing unique sensor configurations for each temperature monitoring application. These advanced features plus $\pm 1^{\circ}\text{C}$ measurement accuracy for both external and internal diode temperatures provide a low-cost, highly flexible and accurate solution for critical temperature monitoring applications.

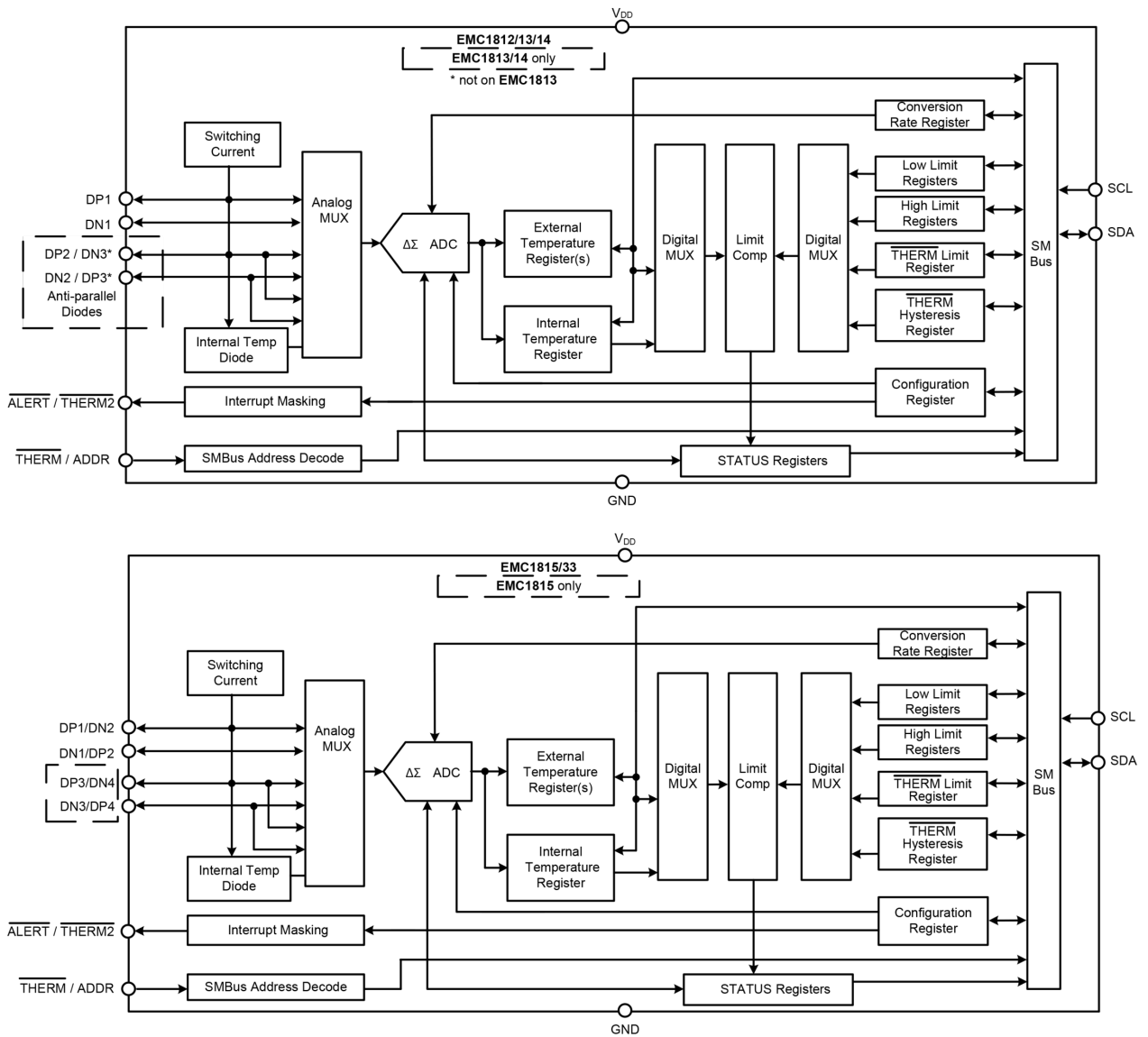
Package Type



Note: * Includes Exposed Thermal Pad (EP); see 3. [Pin Descriptions](#)

Multi-Channel Low-Voltage Remote Diode Sensor Family

Functional Block Diagram



Multi-Channel Low-Voltage Remote Diode Sensor Family

Table of Contents

| | |
|---|----|
| Features..... | 1 |
| Typical Applications..... | 1 |
| Description..... | 1 |
| Package Type..... | 2 |
| Functional Block Diagram..... | 3 |
| 1. Electrical Characteristics..... | 6 |
| 1.1. Absolute Maximum Ratings..... | 6 |
| 2. Typical Operating Curves..... | 10 |
| 3. Pin Descriptions..... | 11 |
| 3.1. Power Supply (V_{DD})..... | 12 |
| 3.2. Diode 1 Pair (DN1/DP1)..... | 12 |
| 3.3. THERM LIMIT ALERT ($\overline{THERM}/ADDR$)..... | 12 |
| 3.4. Ground (GND)..... | 12 |
| 3.5. Maskable ALERT ($\overline{ALERT}/THERM2$)..... | 12 |
| 3.6. SMBus/I ² C Data (SDA)..... | 12 |
| 3.7. DP/DP1..... | 12 |
| 3.8. DN/DN1..... | 12 |
| 3.9. DP2..... | 12 |
| 3.10. DN2..... | 12 |
| 3.11. Anti-Parallel Diode Pair (DP2/DN3 and DN2/DP3)..... | 12 |
| 3.12. Anti-Parallel Diode Pair (DP1/DN2 and DN1/DP2)..... | 13 |
| 3.13. Anti-Parallel Diode Pair (DP3/DN4 and DN3/DP4)..... | 13 |
| 3.14. SMBus Clock (SCL)..... | 13 |
| 3.15. Exposed Thermal Pad (EP)..... | 13 |
| 4. Detailed Description..... | 14 |
| 5. System Block Diagram..... | 15 |
| 5.1. Temperature Measurement..... | 15 |
| 5.2. Temperature Measurement Results and Data..... | 15 |
| 5.3. Limit Registers..... | 16 |
| 5.4. Limit Register Interaction..... | 17 |
| 5.5. $\overline{ALERT}/THERM2$ Output..... | 17 |
| 5.6. \overline{THERM} Output..... | 18 |
| 5.7. \overline{THERM} Pin Address Decoding..... | 18 |
| 5.8. External Diode Connections..... | 19 |
| 5.9. Power States..... | 19 |
| 5.10. Conversion Rates..... | 19 |

Multi-Channel Low-Voltage Remote Diode Sensor Family

| | |
|--|-----------|
| 5.11. Dynamic Averaging..... | 20 |
| 5.12. Digital Filter..... | 21 |
| 5.13. Beta Compensation..... | 22 |
| 5.14. Resistance Error Correction (REC)..... | 23 |
| 5.15. Programmable External Diode Ideality Factor..... | 24 |
| 5.16. Diode Faults..... | 25 |
| 5.17. Consecutive Alerts..... | 26 |
| 5.18. "Hottest Of" Comparison..... | 27 |
| 5.19. Rate of Change..... | 27 |
| 6. System Management Bus Protocol..... | 31 |
| 6.1. SMBus Start Bit..... | 31 |
| 6.2. SMBus Address and RD/WR Bit..... | 31 |
| 6.3. SMBus ACK and NACK Bits..... | 31 |
| 6.4. SMBus Stop Bit..... | 31 |
| 6.5. SMBus Time-Out..... | 31 |
| 6.6. SMBus and I ² C Compliance..... | 32 |
| 6.7. SMBus Protocols..... | 32 |
| 6.8. THERM Pin Considerations..... | 34 |
| 6.9. Register Summary..... | 35 |
| 6.10. Data Read Interlock..... | 38 |
| 7. Packaging Information..... | 90 |
| 7.1. Package Marking Information..... | 90 |
| 8. Revision History..... | 97 |
| The Microchip Web Site..... | 98 |
| Customer Change Notification Service..... | 98 |
| Customer Support..... | 98 |
| Product Identification System..... | 99 |
| Microchip Devices Code Protection Feature..... | 100 |
| Legal Notice..... | 100 |
| Trademarks..... | 100 |
| Quality Management System Certified by DNV..... | 101 |
| Worldwide Sales and Service..... | 102 |

1. Electrical Characteristics

1.1 Absolute Maximum Ratings

| | |
|---|--------------------|
| V_{DD} | 4.0V |
| Voltage at all Input/Output Pins | GND – 0.3V to 4.0V |
| Storage Temperature | –65°C to +150°C |
| Ambient Temperature with Power Applied | –40°C to +125°C |
| Junction Temperature (T_J) | +150°C |
| ESD Protection on All Pins (HBM:MM) | (8 kV:400V) |
| Latch-Up Current at Each Pin (+25°C) | ±200 mA |

Note: Stresses above those listed under “Absolute Maximum Ratings” may cause permanent damage to the device. This is a stress rating only and functional operation of the device at those or any other conditions above those indicated in the operation listings of this specification is not implied. Exposure above maximum rating conditions for extended periods may affect device reliability.

Table 1-1. DC Characteristics

Electrical Specifications: Unless otherwise specified, all limits apply for typical values at ambient temperature

1.62V ≤ V_{DD} ≤ +3.6V at –40°C ≤ T_A ≤ +125°C

| Parameters | Sym. | Min. | Typ. | Max. | Units | Conditions |
|--------------------------------|--------------------|------|------|------|-------|--|
| Supply Voltage | V _{DD} | 1.62 | — | 3.6 | V | |
| Supply Current | I _{DD} | — | 20 | 80 | μA | 0.03125 conversion/second, dynamic averaging disabled |
| | | — | 25 | 164 | μA | 1 conversion/second, dynamic averaging disabled |
| | | — | 205 | 432 | μA | 4 conversions/second, dynamic averaging disabled |
| | | — | 800 | — | μA | > 16 conversions/second, dynamic averaging enabled |
| Standby Supply Current | I _{DD_OS} | — | 15 | 75 | μA | Device in One-Shot state, no active I ² C communications, $\overline{\text{ALERT}}$ and $\overline{\text{THERM}}$ pins not asserted |
| Power-on Reset Release Voltage | PORR | — | 1.45 | — | V | Rising V _{DD} |
| Power-Up Timer | tPWRT | — | 15 | — | ms | |
| V _{DD} Rise Rate | VDD_RISE | 0.05 | | — | V/ms | 0 to 2.75V in ~ 60 ms |

Multi-Channel Low-Voltage Remote Di...

Electrical Characteristics

|continued | | | | | | |
|--|---------------------|--------------------|-------|--------------------|-------|--|
| Parameters | Sym. | Min. | Typ. | Max. | Units | Conditions |
| Internal Temperature Monitor | | | | | | |
| Temperature Accuracy | — | — | ±0.25 | ±1 | °C | |
| External Temperature Monitor | | | | | | |
| Temperature Accuracy - 8 Lead | — | — | ±0.25 | ±1 | °C | -20°C < T _A < 105°C, -40°C < T _D < +125°C, 2N3904 |
| | | — | ±0.25 | ±1.5 | °C | -40°C < T _A < +125°C, -40°C < T _D < +125°C, 2N3904 |
| Temperature Accuracy - 10 Lead | — | — | ±0.25 | ±1 | °C | -20°C < T _A < 125°C, -40°C < T _D < +125°C, 2N3904 |
| | | — | ±0.25 | ±1.5 | °C | -40°C < T _A < +125°C, -40°C < T _D < +125°C, 2N3904 |
| Temperature Resolution | — | — | 0.125 | | °C | |
| Timing and Capacitive Filter | | | | | | |
| Time to First Communications | t _{INT_T} | — | 15 | 20 | ms | Time after power-up before ready to begin communications and measurement |
| Conversion Time per Channel | t _{CONV} | — | 25 | — | ms | Default settings |
| Time to First Conversion from One-shot | | — | 5 | — | ms | |
| Time to First Conversion from Standby | t _{CONV1} | — | 220 | — | ms | Default settings |
| Capacitive Filter | C _{FILTER} | — | 2.2 | 2.7 | nF | Connected across external diode |
| ALERT and THERM Pins | | | | | | |
| Output Low Voltage | V _{OL} | 0.4 | — | — | V | I _{SINK} = 8 mA |
| Leakage Current | I _{LEAK} | — | — | ±5 | µA | ALERT and THERM pins Device powered pull-up voltage < 3.6V |
| SCL and SDA | | | | | | |
| Input | | | | | | |
| High-Level Voltage | V _{IH} | 0.7V _{DD} | — | — | V | |
| Low-Level Voltage | V _{IL} | — | — | 0.3V _{DD} | V | |
| Input Current | I _{IN} | — | — | ±5 | µA | SDA and SCL only |

Multi-Channel Low-Voltage Remote Di...

Electrical Characteristics

.....continued

| Parameters | Sym. | Min. | Typ. | Max. | Units | Conditions |
|------------------------------|------------|------|--------------|------|---------------|--|
| Output (SDA only) | | | | | | |
| Low-Level Voltage | V_{OL} | — | — | 0.4 | V | $I_O = 20 \text{ mA}$, $V_{DD} = 1.7\text{V to } 3.6\text{V}$ |
| High-Level Current (leakage) | I_{OH} | — | — | 1 | μA | $V_{OH} = V_{DD}$ |
| Low-Level Current | I_{OL} | — | — | 20 | mA | $V_{OL} = 0.4\text{V}$, $V_{DD} = 1.65\text{V to } 3.6\text{V}$ |
| Capacitance | C_{IN} | — | 5 | — | pF | |
| SDA and SCL Inputs | | | | | | |
| Hysteresis | V_{HYST} | — | $0.05V_{DD}$ | — | V | |

Table 1-2. Thermal Specifications

Electrical Characteristics: Unless otherwise specified, $1.62\text{V} \leq V_{DD} \leq 3.6\text{V}$ at $-40^\circ\text{C} \leq T_A \leq +125^\circ\text{C}$

| Parameters | Sym. | Min. | Typ. | Max. | Units | Test Conditions |
|--|---------------|------|-------|------|--------------------|---|
| Temperature Ranges | | | | | | |
| Specified Temperature Range | T_A | -40 | — | +125 | $^\circ\text{C}$ | |
| Operating Temperature Range | T_A | -40 | — | +125 | $^\circ\text{C}$ | |
| Storage Temperature Range | T_A | -65 | — | +125 | $^\circ\text{C}$ | |
| Thermal Package Resistances | | | | | | |
| Thermal Resistance, 8L-WDFN, 2 x 2 mm | θ_{JA} | — | 141.3 | — | $^\circ\text{C/W}$ | JEDEC 2s2p, board size 76.2 x 114.3 x 1.6 mm, one thermal via, airflow = 0 m/s. |
| Thermal Resistance, 10L-VDFN, 2.5 x 2.0 mm | θ_{JA} | — | 78 | — | $^\circ\text{C/W}$ | |

Table 1-3. SMBUS Module Specifications

Operating Conditions: unless otherwise indicated, $1.62\text{V} \leq V_{DD} \leq 3.6\text{V}$ at $-40^\circ\text{C} \leq T_A \leq +85^\circ\text{C}$

| Characteristic | Sym. | Min. | Typ. | Max. | Units | Conditions |
|-----------------------------|--------------|------|------|------|---------------|------------|
| SMBus Timing | | | | | | |
| Clock Frequency | f_{SMB} | 10 | — | 400 | kHz | |
| Spike Suppression | t_{SP} | — | — | 50 | ns | |
| Bus Free Time Stop to Start | t_{BUF} | 1.3 | — | — | μs | |
| Hold Time: Start | $t_{HD:STA}$ | 0.6 | — | — | μs | |
| Setup Time: Start | $t_{SU:STA}$ | 0.6 | — | — | μs | |
| Setup Time: Stop | $t_{SU:STO}$ | 0.6 | — | — | μs | |

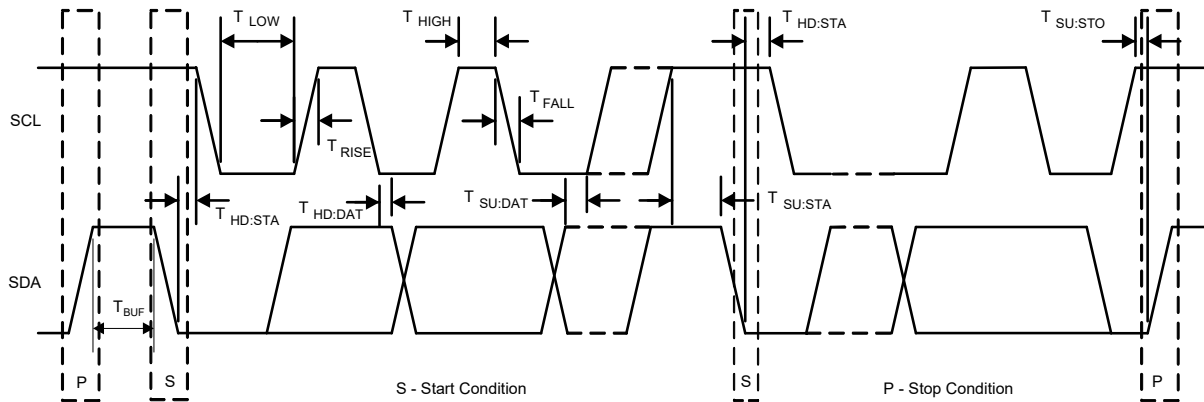
Multi-Channel Low-Voltage Remote Di...

Electrical Characteristics

.....continued

| Characteristic | Sym. | Min. | Typ. | Max. | Units | Conditions |
|----------------------|---------------|------|------|------|---------|---------------------------------|
| Data Hold Time | $t_{HD:DAT}$ | 0 | — | — | μs | When transmitting to the master |
| Data Hold Time | $t_{HD:DAT}$ | 0 | — | — | μs | When receiving from the master |
| Data Setup Time | $t_{SU:DAT}$ | 100 | — | — | ns | |
| Clock Low-Period | t_{LOW} | 1.3 | — | — | μs | |
| Clock High-Period | t_{HIGH} | 0.6 | — | — | μs | |
| Clock/Data Fall-Time | t_{FALL} | — | — | 300 | ns | Min = $20 + 0.1 C_{LOAD}$ ns |
| Clock/Data Rise-Time | t_{RISE} | — | — | 300 | ns | Min = $20 + 0.1 C_{LOAD}$ ns |
| Capacitive Load | C_{LOAD} | — | — | 400 | pF | Per bus line |
| Time-out | $t_{TIMEOUT}$ | 25 | — | 35 | ms | Disabled by default |

Figure 1-1. SMBus Timing Diagram



2. Typical Operating Curves

Note: The graphs and tables provided following this note are a statistical summary based on a limited number of samples and are provided for informational purposes only. The performance characteristics listed herein are not tested or guaranteed. In some graphs or tables, the data presented may be outside the specified operating range (for example, outside specified power supply range) and therefore outside the warranted range.

Note: Unless otherwise indicated $1.65V \leq V_{DD} \leq 3.6V$ at $-40^{\circ}C \leq T_A \leq +125^{\circ}C$.

Figure 2-1. Internal Temperature Error vs. Ambient Temperature ($V_{DD} = 2.5V$, $T_D = +25^{\circ}C$, 2N3904)

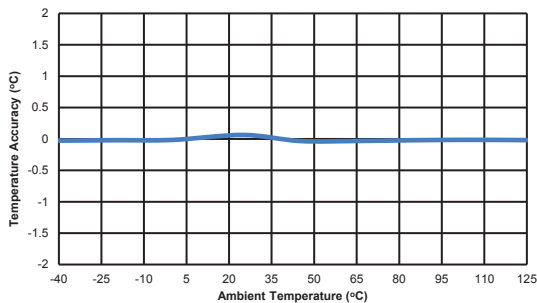


Figure 2-2. Temperature Accuracy vs. Remote Diode Temperature, $V_{DD} = 1.8V$

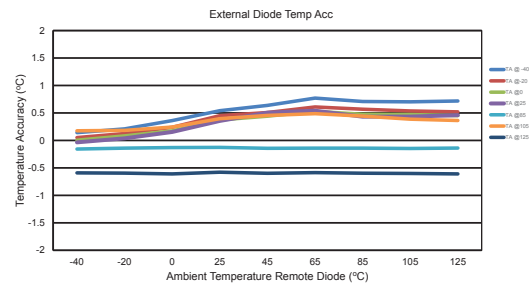


Figure 2-3. Temperature Error vs. Filter Capacitor ($V_{DD} = 2.5V$, $T_A = T_D = +25^{\circ}C$, 2N3904)

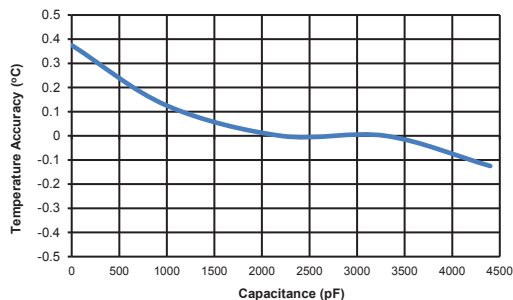


Figure 2-4. Temperature Error vs. Series Resistance ($T_A = +25^{\circ}C$, $V_{DD} = 1.8V$)

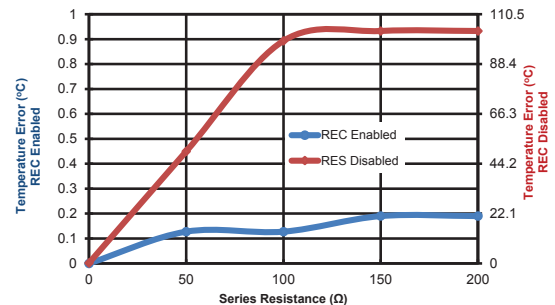


Figure 2-5. I_{DD} vs. V_{DD} Across Temperature

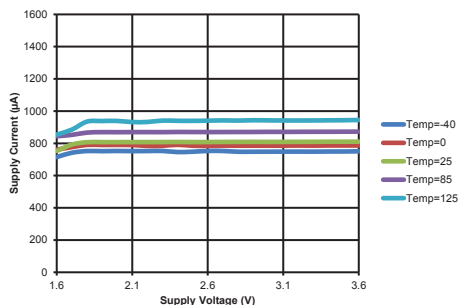
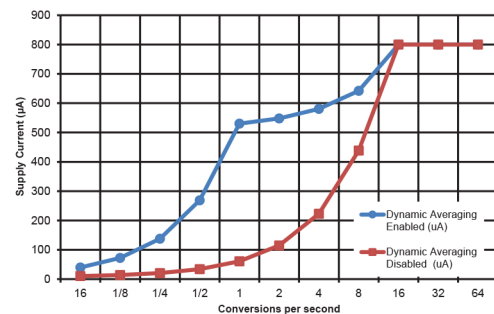


Figure 2-6. Supply Current vs. Conversion Rate ($T_A = +25^{\circ}C$, $V_{DD} = 1.8V$)



3. Pin Descriptions

The EMC1812/13/14/15/33 family has five variants that include features unique to each device. Refer to the table to determine applicability of the pin descriptions.

The description of the pins is listed in the following table:

Table 3-1. Pin Function Table

| 8-Lead WDFN | | 10-Lead VDFN | | | Symbol | Type | Description |
|-------------|---------|--------------|---------|---------|--|------|--|
| EMC1812 | EMC1833 | EMC1813 | EMC1814 | EMC1815 | | | |
| 1 | 1 | 1 | 1 | 1 | V _{DD} | P | Power |
| 2 | — | 2 | 2 | — | DP, DP1 | AIO | Diode 1 connection |
| 3 | — | 3 | 3 | — | DN, DN1 | AIO | Diode 1 connection |
| — | — | 4 | — | — | DP2 | AIO | Diode 2 connection |
| — | — | 5 | — | — | DN2 | AIO | Diode 2 connection |
| 5 | 5 | 6 | 6 | 6 | GND | P | Ground |
| 4 | 4 | 7 | 7 | 7 | $\overline{\text{THERM}}/\text{ADDR}$ | OD | Thermal alert |
| 6 | 6 | 8 | 8 | 8 | $\overline{\text{ALERT}}/\overline{\text{THERM2}}$ | OD | I ² C $\overline{\text{ALERT}}$ pin |
| 7 | 7 | 9 | 9 | 9 | SDA | OD | I ² C data |
| 8 | 8 | 10 | 10 | 10 | SCL | OD | I ² C clock |
| — | — | — | 4 | — | DP2/DN3 | AIO | Diode 2/3 connection |
| — | — | — | 5 | — | DN2/DP3 | AIO | Diode 2/3 connection |
| — | 2 | — | — | 2 | DP1/DN2 | AIO | Diode 1/2 connection |
| — | — | — | — | 4 | DP3/DN4 | AIO | Diode 3/4 connection |
| — | — | — | — | 5 | DN3/DP4 | AIO | Diode 3/4 connection |
| — | 3 | — | — | 3 | DN1/DP2 | AIO | Diode 1/2 connection |
| 9 | 9 | 11 | 11 | 11 | EP | P | Exposed Thermal Pad |

The pin types are described in the following table:

Table 3-2. Pin Types

| Pin Type | Description |
|----------|--|
| AIO | Analog Input/Output. This pin is used as an I/O for analog signals. |
| OD | Open-Drain Digital Output. This pin is used as a digital output. It is open-drain and requires a pull-up resistor. |
| P | This pin is used to supply power or ground to the device. |

3.1 Power Supply (V_{DD})

This pin is used to supply power to the device.

3.2 Diode 1 Pair (DN1/DP1)

Remote Diode 1 anode (DP1) and cathode (DN1) pins.

3.3 THERM LIMIT ALERT ($\overline{THERM/ADDR}$)

This pin asserts low when the hardware-set THERM limit threshold is exceeded by one of the temperature sensors. The assertion of this signal cannot be controlled or masked by register setting. If enabled, the SMBus slave address is set by the pull-up resistor on this pin.

3.4 Ground (GND)

This pin is used to ground the device.

3.5 Maskable ALERT ($\overline{ALERT/THERM2}$)

This pin asserts when a diode temperature exceeds the ALERT threshold. This pin may be masked by register settings.

3.6 SMBus/I²C Data (SDA)

This is the open-drain, bidirectional data pin for SMBus communication.

3.7 DP/DP1

- DP/DP1: DP and DP1 anode

3.8 DN/DN1

- DN/DN1: DN and DN1 cathode

3.9 DP2

- DP2: DP2 anode

3.10 DN2

- DN2: DN2 cathode

3.11 Anti-Parallel Diode Pair (DP2/DN3 and DN2/DP3)

- DP2/DN3: DP2 anode and DN3 cathode

- DN2/DP3: DN2 cathode and DP3 anode

3.12 Anti-Parallel Diode Pair (DP1/DN2 and DN1/DP2)

- DP1/DN2: DP1 anode and DN2 cathode
- DN1/DP2: DN1 cathode and DP2 anode

3.13 Anti-Parallel Diode Pair (DP3/DN4 and DN3/DP4)

- DP3/DN4: DP3 anode and DN4 cathode
- DN3/DP4: DN3 cathode and DP4 anode

3.14 SMBus Clock (SCL)

This is the SMBus/I²C input clock pin for SMBus communication.

3.15 Exposed Thermal Pad (EP)

There is no internal connection between the Exposed Thermal Pad (EP) and the GND pin. They must be connected to the same electric potential on the Printed Circuit Board (PCB). Grounding is recommended for mechanical support.

4. Detailed Description

The EMC1812/13/14/15/33 devices monitor one internal diode and up to four externally-connected temperature diodes.

Thermal management is performed in cooperation with a host device. This consists of the host reading the temperature data of both the external and internal temperature diodes of the EMC1812/13/14/15/33 and using that data to manage thermal events or to control the speed of one or more fans.

This device family introduces rate of change temperature measurement with associated alerts. This provides a preemptive system alert and another protective measurement layer to catch and manage variable system temperatures. Resistance Error Correction automatically eliminates the temperature error caused by series resistance. This feature allows for routing long traces and off-board connections with wires, if desired. Automatic beta compensation eliminates the need for substrate diode and transistor configurations.

The EMC1812/13/14/15/33 family has two levels of monitoring. The first provides a maskable $\overline{\text{ALERT}}$ signal to the host when the measured temperatures exceed user programmable limits. This allows the EMC1812/13/14/15/33 to be used as an independent thermal watchdog to warn the host of temperature hot spots without direct control by the host. The second level of monitoring provides a nonmaskable interrupt on the $\overline{\text{THERM}}$ pin if the measured temperatures meet or exceed a second programmable limit.

The EMC1812 is a single-channel remote temperature sensor, while the EMC1813 is a dual-channel remote temperature sensor. The remote channels for this selection of devices can support substrate diodes, discrete diode connected transistors, or CPU/GPU thermal diodes.

The EMC1814 supports anti-parallel diode (APD) only on one channel. For the channel that does not support APD functionality, substrate diodes, discrete diode-connected transistors or CPU/GPU thermal diodes are supported. For the channel that supports APD, only discrete diode connected transistors may be implemented. However, if APD is disabled on the EMC1814, then the channel that supports APD will be functional with substrate diodes, discrete diode connected transistors and CPU/GPU thermal diodes.

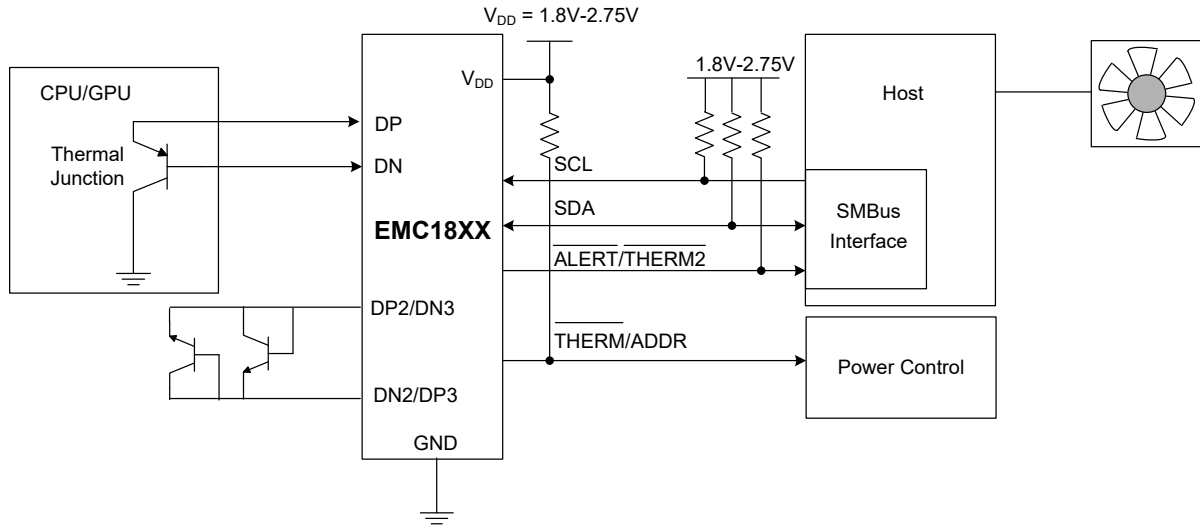
The EMC1815 and EMC1833 support APD on all channels. When APD is enabled, the channels support only diode connected transistors. If APD is disabled, then the channels will support substrate transistors, discrete diode connected transistors and CPU/GPU thermal diodes.

Note: Disabling APD functionality to implement substrate diodes on devices that support APD eliminates the benefit of APD (two diodes on one channel).

5. System Block Diagram

The figure below shows a system-level block diagram of the EMC1812/13/14/15/33.

Figure 5-1. EMC1812/13/14/15/33 System Diagram



5.1 Temperature Measurement

The EMC1812/13/14/15/33 device family can monitor the temperature of up to four externally-connected diodes. Each external diode channel is configured with Resistance Error Correction and Beta Compensation based on user settings and system requirements.

The devices contain programmable high, low and therm limits for all measured temperature channels. If the measured temperature goes below the low limit or above the high limit, the \overline{ALERT} pin can be asserted (based on user settings). If the measured temperature meets or exceeds the therm limit, the \overline{THERM} pin is asserted unconditionally, providing two tiers of temperature detection.

5.2 Temperature Measurement Results and Data

The temperature measurement results are stored in the internal and external temperature registers. These are then compared with the values stored in the high- and low-limit registers. Both external and internal temperature measurements are stored in 11-bit format with the eight Most Significant bits (MSb) stored in a high-byte register and the three Least Significant bits (LSb) stored in the three MSB positions of the low-byte register. All other bits of the low-byte register are set to zero.

The EMC1812/13/14/15/33 family has two selectable temperature ranges. The default range is from $0^{\circ}C$ to $+127^{\circ}C$ and the temperature is represented as a binary number able to report a temperature from $0^{\circ}C$ to $+127.875^{\circ}C$ in $0.125^{\circ}C$ steps.

The extended range is an extended temperature range from $-64^{\circ}C$ to $+191^{\circ}C$. The data format is a binary number offset by $64^{\circ}C$. The extended range is used to measure temperature diodes with a large known offset (such as CPU/GPU processor diodes) where the diode temperature plus the offset would be equivalent to a temperature higher than $+127^{\circ}C$.

The following table shows the default and extended range formats.

Multi-Channel Low-Voltage Remote Di... System Block Diagram

Table 5-1. Temperature Data Format

| Temperature (°C) | Default Range 0°C to 127°C | Extended Range -64°C to 191°C |
|------------------|----------------------------|-------------------------------|
| Diode Fault | 000 0000 0000 | 000 0000 0000 |
| -64 | 000 0000 0000 | 000 0000 0000 (Note 1) |
| -1 | 000 0000 0000 | 001 1111 1000 |
| 0 | 000 0000 0000 (Note 2) | 010 0000 0000 |
| 0.125 | 000 0000 0001 | 010 0000 0001 |
| 1 | 000 0000 1000 | 010 0000 1000 |
| 64 | 010 0000 0000 | 100 0000 0000 |
| 65 | 010 0000 1000 | 100 0000 1000 |
| 127 | 011 1111 1000 | 101 1111 1000 |
| 127.875 | 011 1111 1111 | 101 1111 1111 |
| 128 | 011 1111 1111 (Note 3) | 110 0000 0000 |
| 190 | 011 1111 1111 | 111 1111 0000 |
| 191 | 011 1111 1111 | 111 1111 1000 |
| ≥ 191.875 | 011 1111 1111 | 111 1111 1111 (Note 4) |

Note:

1. In the extended range, all temperatures below -64°C are reported as -64°C.
2. In Default mode, all temperatures below 0°C are reported as 0°C.
3. For the default range, all temperatures above +127.875°C are reported as +127.875°C.
4. For the extended range, all temperatures above +191.875°C are reported as +191.875°C.

5.3 Limit Registers

The device contains both high and low limits for all temperature channels. If the measured temperature exceeds the high limit, then the corresponding Status bit is set and the $\overline{\text{ALERT}}$ pin is asserted. Likewise, if the measured temperature is less than or equal to the low limit, the corresponding Status bit is set and the $\overline{\text{ALERT}}$ pin is asserted.

The data format for the limits must match the selected data format for the temperature so that, if the extended temperature range is used, the limits must be programmed in the extended data format.

The limit registers with multiple addresses are fully accessible at either address.

When the device is in the Standby state, updating the limit registers will have no effect until the next conversion cycle occurs. This can be initiated via a write to the ONE SHOT Register (Address 0Fh; [ONE SHOT](#)) or by clearing the RUN/STANDBY bit (see [CONFIG](#), Address 03h).

5.4 Limit Register Interaction

The various Limit registers in the device interact based on both external conditions present on the diode pins, as well as changes in register bits in the I²C interface.

5.4.1 High Limit Register

The High Limit Status register contains the Status bits that are set when a temperature channel high limit is exceeded. If any of these bits are set, then the HIGH Status bit in the STATUS register is set. Reading from the High Limit Status register clears all bits. Reading from the register will also clear the HIGH Status bit in the STATUS register.

The $\overline{\text{ALERT}}$ pin will be set if the programmed number of consecutive alert counts has been met and any of these Status bits are set.

The Status bits remain set until a read is performed, unless the $\overline{\text{ALERT}}$ pin is configured as a comparator output (see [5.5.2 ALERT/THERM2 Pin in Therm Mode](#)).

5.4.2 Low Limit Register

The Low Limit Status register contains the Status bits that are set when a temperature channel drops below the low limit. If any of these bits are set, then the LOW Status bit in the STATUS register is set. Reading from the Low Limit Status register clears all bits.

The $\overline{\text{ALERT}}$ pin will be set if the programmed number of consecutive alert counts has been met and any of these Status bits are set.

The Status bits will remain set until a read is performed, unless the $\overline{\text{ALERT}}$ pin is configured as a comparator output (see [5.5.2 ALERT/THERM2 Pin in Therm Mode](#)).

5.4.3 THERM Limit Register

The Therm Limit registers are used to determine whether a critical thermal event has occurred. If the measured temperature exceeds the therm limit, the $\overline{\text{THERM}}$ pin is asserted. The limit setting must match the chosen data format of the temperature reading registers.

Unlike the $\overline{\text{ALERT}}$ pin, the $\overline{\text{THERM}}$ pin cannot be masked. Additionally, the $\overline{\text{THERM}}$ pin is released once the temperature drops below the corresponding threshold, minus the Therm Hysteresis.

5.5 $\overline{\text{ALERT/THERM2}}$ Output

The $\overline{\text{ALERT/THERM2}}$ pin is an open-drain output and requires a pull-up resistor to V_{DD} and has two modes of operation: Interrupt mode and Comparator mode. The mode of the $\overline{\text{ALERT/THERM2}}$ output is selected through the $\overline{\text{ALERT/THERM2}}$ bit (see [CONFIG](#), Address 03h).

5.5.1 $\overline{\text{ALERT/THERM2}}$ Pin Interrupt Mode

When configured to operate in Interrupt mode, the $\overline{\text{ALERT/THERM2}}$ pin asserts low when an out-of-limit measurement (less than or equal to the low limit or greater than the high limit) is detected on any diode or when a Diode Fault is detected. The $\overline{\text{ALERT/THERM2}}$ pin will remain asserted as long as an out-of-limit condition remains. Once the out-of-limit condition has been removed, the $\overline{\text{ALERT/THERM2}}$ pin remains asserted until the appropriate Status bits are cleared.

The $\overline{\text{ALERT/THERM2}}$ pin can be masked by setting the MASK_ALL bit. Once the $\overline{\text{ALERT/THERM2}}$ pin has been masked, it is deasserted and remains as such until the MASK_ALL bit is cleared by the user. Any interrupt conditions that occur while the $\overline{\text{ALERT/THERM2}}$ pin is masked causes the STATUS register to be updated normally. There are also individual channel masks (see [6.10.20 DIODE FAULT MASK](#).)

Multi-Channel Low-Voltage Remote Di...

System Block Diagram

The $\overline{\text{ALERT/THERM2}}$ pin is used as an interrupt signal or as an I²C Alert signal that allows an SMBus/I²C slave to communicate an error condition to the master. One or more $\overline{\text{ALERT/THERM2}}$ outputs can be hard-wired together.

5.5.2 $\overline{\text{ALERT/THERM2}}$ Pin in Therm Mode

When the $\overline{\text{ALERT/THERM2}}$ pin is configured to operate in Therm mode, it becomes asserted if any of the measured temperatures exceed the respective high limit. The $\overline{\text{ALERT/THERM2}}$ pin remains asserted until all temperatures drop below the corresponding high limit, minus the Therm Hysteresis value.

When the $\overline{\text{ALERT/THERM2}}$ pin is asserted in Therm mode, the corresponding high limit Status bits are set. Reading these bits do not clear them until the $\overline{\text{ALERT/THERM2}}$ pin is deasserted. Once the $\overline{\text{ALERT/THERM2}}$ pin is deasserted, the Status bits are automatically cleared.

The MASK_ALL bit does not block the $\overline{\text{ALERT/THERM2}}$ pin in this mode; however, the individual channel masks prevent the respective channel from asserting the $\overline{\text{ALERT/THERM2}}$ pin.

5.6 $\overline{\text{THERM}}$ Output

The $\overline{\text{THERM}}$ output is asserted independently of the $\overline{\text{ALERT}}$ output and cannot be masked. Whenever any of the measured temperatures exceed the user-programmed therm limit values for the programmed number of consecutive measurements, the $\overline{\text{THERM}}$ output is asserted. Once it has been asserted, it remains asserted until all measured temperatures drop below the therm limit, minus the Therm Hysteresis (also programmable).

When the $\overline{\text{THERM}}$ pin is asserted, the Therm Status bits are likewise set. Reading these bits does not clear them until the $\overline{\text{THERM}}$ pin is deasserted. Once the $\overline{\text{THERM}}$ pin is deasserted, the $\overline{\text{THERM}}$ Status bits are automatically cleared.

5.7 $\overline{\text{THERM}}$ Pin Address Decoding

The address decode is performed by pulling known currents from the V_{DD} pin through the external resistor, causing the pin voltage to drop based on the respective current/resistor relationship. This pin voltage is compared against a threshold that determines the value of the pull-up resistor.

The EMC1812/13/14/15/33-A SMBus slave address is determined by the pull-up resistor on the THERMADDR pin, as shown in the following table.

Table 5-2. I²C/SMBus Address Decode

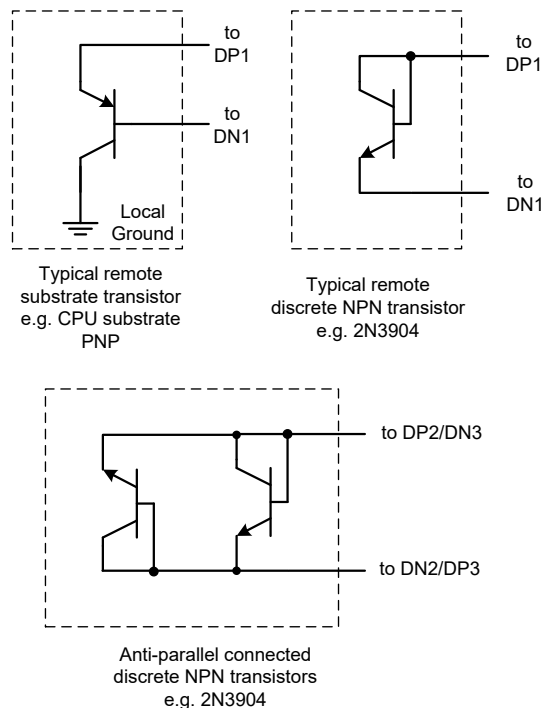
| Pull-Up Resistor on $\overline{\text{THERM}}$ pin ($\pm 5\%$) | SMBus Address |
|---|--------------------------------|
| 4.7 k Ω | 1111_100 (r/ \overline{w})b |
| 6.8 k Ω | 1011_100 (r/ \overline{w})b |
| 10 k Ω | 1001_100 (r/ \overline{w})b |
| 15 k Ω | 1101_100 (r/ \overline{w})b |
| 22 k Ω | 0011_100 (r/ \overline{w})b |
| 33 k Ω | 0111_100 (r/ \overline{w})b |

5.8 External Diode Connections

The EMC1812 can be configured to measure a CPU substrate transistor, a discrete 2N3904 thermal diode, or an CPU/GPU processor diode. The diodes can be connected as indicated in the figure below.

The EMC1813 can be configured to measure a CPU substrate transistor, a discrete 2N3904 thermal diode, or an CPU/GPU processor diode on the External Diode 1 or External Diode 2 channels. For the EMC1814, External Diode 2 and External Diode 3 channels are configured to measure a pair of discrete anti-parallel diodes (shared on pins DP2 and DN2). The supported configurations for the external diode channels are shown in the following figure.

Figure 5-2. Diode Configurations



5.9 Power States

The EMC1812/13/14/15/33 devices have two power states: Active and Standby.

- **Active (Run)** - In this state, the ADC is converting on all temperature channels at the programmed conversion rate. The temperature data is updated at the end of every conversion and the limits are checked. In the Active state, writing to the One-shot register has no effects.
- **Standby (One-shot)** - While the device is in Standby, the host can initiate a conversion cycle on demand. After the conversion cycle is complete, the device returns to the Standby state.

5.10 Conversion Rates

The EMC1812/13/14/15/33 devices may be configured for different conversion rates based on the system requirements. The default conversion rate is four conversions per second. Other available conversion rates are shown in the Conversion Rate table.

Multi-Channel Low-Voltage Remote Di... System Block Diagram

Table 5-3. Conversion Rate

| CONV<3:0> | | | | | Conversions/ Second |
|-----------|------------|---|---|---|---------------------|
| HEX | 3 | 2 | 1 | 0 | |
| 0h | 0 | 0 | 0 | 0 | 1/16 |
| 1h | 0 | 0 | 0 | 1 | 1/8 |
| 2h | 0 | 0 | 1 | 0 | 1/4 |
| 3h | 0 | 0 | 1 | 1 | 1/2 |
| 4h | 0 | 1 | 0 | 0 | 1 |
| 5h | 0 | 1 | 0 | 1 | 2 |
| 6h | 0 | 1 | 1 | 0 | 4 (default) |
| 7h | 0 | 1 | 1 | 1 | 8 |
| 8h | 1 | 0 | 0 | 0 | 16 |
| 9h | 1 | 0 | 0 | 1 | 32 |
| Ah | 1 | 0 | 1 | 0 | 64 |
| Bh - Fh | All others | | | | 1 |

5.11 Dynamic Averaging

Dynamic averaging causes the EMC1812/13/14/15/33 devices to measure the external diode channels for an extended time based on the selected conversion rate. This functionality can be disabled for increased power savings at the lower conversion rates. When dynamic averaging is enabled, the devices automatically adjust the sampling and measurement time for the external diode channels. This allows the devices to average 2x to 16x longer than the normal 11-bit operation (nominally 21 ms per channel) while still maintaining the selected conversion rate. The benefits of dynamic averaging are improved noise rejection due to the longer integration time as well as less random variation of the temperature measurement.

When enabled, the dynamic averaging applies when a one-shot command is issued. The devices perform the desired averaging during the one-shot operation according to the selected conversion rate.

When enabled, the dynamic averaging affects the average supply current based on the chosen conversion rate as shown in the following table.

Table 5-4. Supply Current vs. Conversion Rate for EMC1815

| Conversion Rate | Average Supply Current | | Averaging Factor (based on 11-bit operation) | |
|-----------------|-------------------------|------------|--|----------|
| | Dynamic Averaging State | | | |
| | Enabled (default) | Disabled | Enabled (default) | Disabled |
| 1/16s | 144 μ A | 80 μ A | 16x | 1x |
| 1/8s | 213 μ A | 86 μ A | 16x | 1x |
| 1/4s | 351 μ A | 97 μ A | 16x | 1x |

Multi-Channel Low-Voltage Remote Di... System Block Diagram

.....continued

| Conversion Rate | Average Supply Current | | Averaging Factor (based on 11-bit operation) | |
|-----------------|-------------------------|--------------|--|----------|
| | Dynamic Averaging State | | | |
| | Enabled (default) | Disabled | Enabled (default) | Disabled |
| 1/2s | 627 μ A | 120 μ A | 16x | 1x |
| 1/s | 637 μ A | 164 μ A | 16x | 1x |
| 2/s | 659 μ A | 253 μ A | 16x | 1x |
| 4/s (default) | 703 μ A | 432 μ A | 8x | 1x |
| 8/s | 790 μ A | 790 μ A | 4x | 1x |
| 16/s | 830 μ A | 830 μ A | 2x | 1x |
| 32/s | 830 μ A | 830 μ A | 1x | 1x |
| 64/s | 1065 μ A | 1065 μ A | 0.5x | 0.5x |

5.12 Digital Filter

To reduce the effect of noise and temperature spikes on the reported temperature, the External Diode channel uses a programmable digital filter. This filter can be configured as Level 1, Level 2, or Disabled (default). The typical filter performance is shown in the figures below. The Filter Configuration register controls the digital filter on the External Diode 1 channel.

To reduce complexity, the digital filter only applies to the External Diode channel 1 and 2. Furthermore, this is only the case when APD is not enabled for a given channel. It applies after the digital block has taken the appropriate 11 bits based on the dynamic averaging.

Table 5-5. Filter Settings

| FILTER<1:0> | | Averaging |
|-------------|---|------------------------------------|
| 1 | 0 | |
| 0 | 0 | Disabled (default) |
| 0 | 1 | Level 1 (Note 1) |
| 1 | 0 | Level 1 (Note 1) |
| 1 | 1 | Level 2 (Note 2) |

Note:

- Filtering Level 1 corresponds to 4x attenuation of a temperature spike.
- Filtering Level 2 corresponds to 8x attenuation of a temperature spike.

Figure 5-3. Temperature Filter Step Response

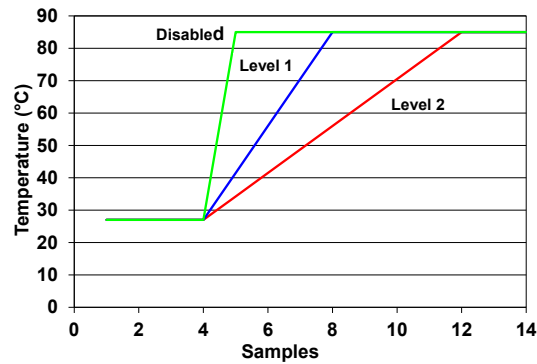
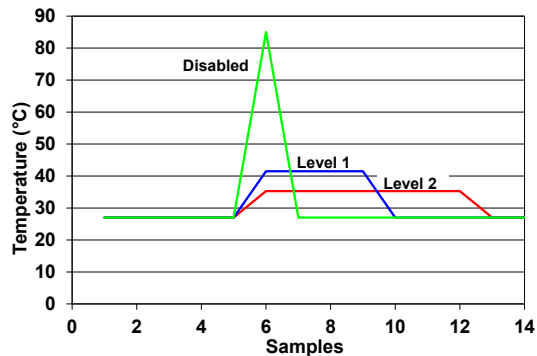


Figure 5-4. Temperature Filter Impulse Response



The filter consists of a running average on the external diode channel. The Level 1 filter is a running average of 4x while the Level 2 filter is a running average of 8x. For the first measurement immediately after power-up, the filter will be filled with the results of the first measurement. After this, the filter is operated normally. Any temperature comparisons are done with the filtered results that are stored in the user register.

5.13 Beta Compensation

The EMC1812/13/14/15/33 devices are configured to monitor the temperature of basic diodes (for example 2N3904) or CPU thermal diodes. It automatically detects the type of external diode (CPU diode or diode connected transistor) and determines the optimal setting to reduce temperature errors introduced by beta variation. Compensating for this error is also known as implementing the transistor or BJT model for temperature measurement.

For discrete transistors configured with the collector and base shorted together, the beta is generally sufficiently high, such that the percent change in beta variation is very small. For example, a 10% variation in beta for two forced emitter currents with a transistor whose ideal beta is 50 would contribute approximately 0.25°C error at +100°C. However, for substrate transistors where the base-emitter junction is used for temperature measurement and the collector is tied to the substrate, the proportional beta variation will cause large errors. For example, a 10% variation in beta for two forced emitter currents, with a transistor whose ideal beta is 0.5, would contribute approximately +8.25°C error at +100°C.

For the EMC1814 and EMC1815 devices, the External Diode 2/3 (EMC1814) and External Diode channels 3/4 do not support beta compensation.

At the beginning of every conversion, the optimal beta compensation factor setting is determined and applied. The `BETA(N) <2:0>` bits are automatically updated to indicate the current setting. This is the

Multi-Channel Low-Voltage Remote Di... System Block Diagram

default for EMC1813. This is the default for EMC1814 for External Diode 1 only and it is disabled and cannot be enabled for External Diode 2 or 3. If the auto-detection circuitry is disabled, these bits will determine the beta configuration setting that is used for their respective channels.

It is recommended to be cautious when setting the $BETA(N) \langle 2:0 \rangle$ bits when the auto-detection circuitry is disabled. If the beta compensation factor is set at a beta value that is higher than the transistor beta, the circuit may generate measurement errors. When measuring a discrete thermal diode (such as 2N3904) or a CPU diode that functions like a discrete thermal diode (such as an CPU/GPU processor diode), the $BETA(N) \langle 2:0 \rangle$ bits should be set to 111b.

Table 5-6. CPU Beta Values

| DI_BETA<3:0> | | | | Minimum Beta |
|--------------|---|---|---|--------------|
| 3 | 2 | 1 | 0 | |
| 0 | 0 | 0 | 0 | 0.050 |
| 0 | 0 | 0 | 1 | 0.066 |
| 0 | 0 | 1 | 0 | 0.087 |
| 0 | 0 | 1 | 1 | 0.114 |
| 0 | 1 | 0 | 0 | 0.150 |
| 0 | 1 | 0 | 1 | 0.197 |
| 0 | 1 | 1 | 0 | 0.260 |
| 0 | 1 | 1 | 1 | 0.342 |
| 1 | 0 | 0 | 0 | 0.449 |
| 1 | 0 | 0 | 1 | 0.591 |
| 1 | 0 | 1 | 0 | 0.778 |
| 1 | 0 | 1 | 1 | 1.024 |
| 1 | 1 | 0 | 0 | 1.348 |
| 1 | 1 | 0 | 1 | 1.773 |
| 1 | 1 | 1 | 0 | 2.333 |
| 1 | 1 | 1 | 1 | Diode Mode |

5.14 Resistance Error Correction (REC)

Parasitic resistance, in series with the external diodes, limits the accuracy obtainable from temperature measurement devices. The voltage developed across this resistance by the switching diode currents causes the temperature measurement to read higher than the true temperature. Contributors to series resistance are PCB trace resistance, on die (i.e., on the processor) metal resistance, bulk resistance in the base and emitter of the temperature transistor. Typically, the error caused by series resistance is $+0.7^{\circ}\text{C}/\Omega$. The EMC1812/13/14/15/33 devices automatically correct up to 100 Ω of series resistance.

5.15 Programmable External Diode Ideality Factor

The EMC1812/13/14/15/33 device family is designed for external diodes with an ideality factor of 1.008. Not all external diodes, processor or discrete, will have this exact value. This variation of the ideality factor introduces errors in the temperature measurement which must be corrected for. This correction is typically done using programmable offset registers. Since an ideality factor mismatch introduces an error that is a function of temperature, this correction is only accurate within a small range of temperatures. To provide maximum flexibility to the user, the EMC1812/13/14/15/33 devices provides a 6-bit register for each external diode where the ideality factor of the diode used is programmed to eliminate errors across all temperatures.

When monitoring a substrate transistor or CPU diode and beta compensation is enabled, the ideality factor should not be adjusted. Beta compensation automatically corrects for most ideality errors.

When measuring a 65 nm Intel[®] CPU, the Ideality Setting should be the default 12h. When measuring a 45 nm Intel CPU, the Ideality Setting should be 15h.

These registers store the ideality factors that are applied to the external diodes. The following table defines each setting and the corresponding ideality factor. Since beta compensation and Resistance Error Correction automatically correct for most diode ideality errors, it is not recommended that these settings be updated without consulting Microchip.

Table 5-7. Ideality Factor Look-Up Table (Diode Model)

| Setting | Factor | Setting | Factor | Setting | Factor |
|---------|--------|---------|--------|---------|--------|
| 08h | 0.9949 | 18h | 1.0159 | 28h | 1.0371 |
| 09h | 0.9962 | 19h | 1.0172 | 29h | 1.0384 |
| 0Ah | 0.9975 | 1Ah | 1.0185 | 2Ah | 1.0397 |
| 0Bh | 0.9988 | 1Bh | 1.0200 | 2Bh | 1.0410 |
| 0Ch | 1.0001 | 1Ch | 1.0212 | 2Ch | 1.0423 |
| 0Dh | 1.0014 | 1Dh | 1.0226 | 2Dh | 1.0436 |
| 0Eh | 1.0027 | 1Eh | 1.0239 | 2Eh | 1.0449 |
| 0Fh | 1.0040 | 1Fh | 1.0253 | 2Fh | 1.0462 |
| 10h | 1.0053 | 20h | 1.0267 | 30h | 1.0475 |
| 11h | 1.0066 | 21h | 1.0280 | 31h | 1.0488 |
| 12h | 1.0080 | 22h | 1.0293 | 32h | 1.0501 |
| 13h | 1.0093 | 23h | 1.0306 | 33h | 1.0514 |
| 14h | 1.0106 | 24h | 1.0319 | 34h | 1.0527 |
| 15h | 1.0119 | 25h | 1.0332 | 35h | 1.0540 |
| 16h | 1.0133 | 26h | 1.0345 | 36h | 1.0553 |
| 17h | 1.0146 | 27h | 1.0358 | 37h | 1.0566 |

Multi-Channel Low-Voltage Remote Di...

System Block Diagram

For CPU substrate transistors that require the BJT transistor model, the ideality factor behaves slightly differently than for discrete diode-connected transistors. Refer to the following when using a CPU substrate transistor.

Table 5-8. Substrate Diode Ideality Factor Look-Up Table (BJT Model)

| Setting | Factor | Setting | Factor | Setting | Factor |
|---------|--------|---------|--------|---------|--------|
| 08h | 0.9869 | 18h | 1.0079 | 28h | 1.0291 |
| 09h | 0.9882 | 19h | 1.0092 | 29h | 1.0304 |
| 0Ah | 0.9895 | 1Ah | 1.0105 | 2Ah | 1.0317 |
| 0Bh | 0.9908 | 1Bh | 1.0120 | 2Bh | 1.0330 |
| 0Ch | 0.9921 | 1Ch | 1.0132 | 2Ch | 1.0343 |
| 0Dh | 0.9934 | 1Dh | 1.0146 | 2Dh | 1.0356 |
| 0Eh | 0.9947 | 1Eh | 1.0159 | 2Eh | 1.0369 |
| 0Fh | 0.9960 | 1Fh | 1.0173 | 2Fh | 1.0382 |
| 10h | 0.9973 | 20h | 1.0187 | 30h | 1.0395 |
| 11h | 0.9986 | 21h | 1.0200 | 31h | 1.0408 |
| 12h | 1.0000 | 22h | 1.0213 | 32h | 1.0421 |
| 13h | 1.0013 | 23h | 1.0226 | 33h | 1.0434 |
| 14h | 1.0026 | 24h | 1.0239 | 34h | 1.0447 |
| 15h | 1.0039 | 25h | 1.0252 | 35h | 1.0460 |
| 16h | 1.0053 | 26h | 1.0265 | 36h | 1.0473 |
| 17h | 1.0066 | 27h | 1.0278 | 37h | 1.0486 |

5.16 Diode Faults

The EMC1812/13/14/15/33 devices detect an open on the DP and DN pins, and a short across the DP and DN pins. For each temperature measurement made, the device checks for a Diode Fault on the external diode channel(s). When a Diode Fault is detected, the $\overline{\text{ALERT}}$ pin asserts (unless masked) and the temperature data reads 00h in the MSB and LSB registers (note that the low limit is not be checked). A Diode Fault is defined as one of the following: an open between DP and DN, a short from V_{DD} to DP, or a short from V_{DD} to DN.

If a short occurs across DP and DN or a short occurs from DP to GND, the low limit Status bit is not set and the $\overline{\text{ALERT}}$ pin does not assert. This condition is indistinguishable from a temperature measurement of 0.000°C (-64°C in extended range) resulting in temperature data of 00h in the MSB and LSB registers.

If a short from DN to GND occurs (with a diode connected), temperature measurements will continue as normal with no alerts.

5.17 Consecutive Alerts

The EMC1812/13/14/15/33 device family contains multiple consecutive alert counters. One set of counters applies to the $\overline{\text{ALERT}}$ pin and the second set of counters applies to the $\overline{\text{THERM}}$ pin. Each temperature measurement channel has a separate consecutive alert counter for each of the $\overline{\text{ALERT}}$ and $\overline{\text{THERM}}$ pins. All counters are user programmable and determine the number of consecutive measurements that a temperature channel(s) must be out-of-limit or reporting a Diode Fault before the corresponding pin is asserted.

The Consecutive Alert register determines how many times an out-of-limit error or Diode Fault must be detected in consecutive measurements before the $\overline{\text{ALERT}}$ or $\overline{\text{THERM}}$ pin is asserted.

An out-of-limit condition (for example, HIGH, LOW, or FAULT) occurring on the same temperature channel in consecutive measurements will increment the consecutive alert counter. The counters will also be reset if no out-of-limit condition or Diode Fault condition occurs in a consecutive reading.

When the $\overline{\text{ALERT}}$ pin is configured as an interrupt and when the consecutive alert counter reaches its programmed value, the following occurs: the Status bit(s) for that channel and the last error condition(s) (for example, E1HIGH, or E2LOW and/or E2FAULT) are set to '1', the $\overline{\text{ALERT}}$ pin is asserted, the consecutive alert counter is cleared and measurements continue to be performed.

When the $\overline{\text{ALERT}}$ pin is configured as a comparator, the consecutive alert counter will ignore Diode Fault and low limit errors and only increment if the measured temperature exceeds the high limit. Additionally, once the consecutive alert counter reaches the programmed limit, the $\overline{\text{ALERT}}$ pin is asserted, but the counter does not reset. It remains set until the temperature drops below the high limit minus the Therm Hysteresis value.

Channels that are not enabled are not included in the consecutive alert pin checking. The signal logic chain is: Limit → Counter → Status → Mask → Pin ($\overline{\text{THERM}}$ and $\overline{\text{ALERT}}$).

For example, if the $\text{CALRT}<2:0>$ bits are set for four consecutive alerts on an EMC1812/13/14/15/33 device, the high limits are set at +70°C and none of the channels are masked, then the $\overline{\text{ALERT}}$ pin is asserted after the following five measurements:

- Internal Diode reads +71°C and both the external diodes read +69°C. Consecutive alert counter for INT is incremented to 1.
- Both the Internal Diode and the External Diode 1 read +71°C and External Diode 2 reads +68°C. Consecutive alert counter for INT is incremented to 2 and for EXT1 is set to 1.
- The External Diode 1 reads +71°C and both Internal Diode and External Diode 2 read +69°C. Consecutive alert counters for INT and EXT2 are cleared and EXT1 is incremented to 2.
- The Internal Diode reads +71°C and both external diodes read +71°C. Consecutive alert counter for INT is set to 1, EXT2 is set to 1 and EXT1 is incremented to 3.
- The Internal Diode reads +71°C and both external diodes read +71°C. Consecutive alert counter for INT is incremented to 2, EXT2 is set to 2 and EXT1 is incremented to 4. The appropriate Status bits are set for EXT and the $\overline{\text{ALERT}}$ pin is asserted. EXT1 counter is reset to 0 and all other counters hold the last value until the next temperature measurement.

All temperature channels use this value to set the respective counters. The consecutive Therm counter is incremented whenever any measurement exceeds the corresponding Therm limit.

If the temperature drops below the Therm limit, the counter is reset. If a number of consecutive measurements above the Therm limit occurs, the $\overline{\text{THERM}}$ pin is asserted low.

Once the $\overline{\text{THERM}}$ pin has been asserted, the consecutive Therm counter will not reset until the corresponding temperature drops below the Therm limit minus the Therm Hysteresis value.

The bits are decoded as shown in the table below. The default setting is four consecutive out-of-limit conversions.

All temperature channels use this value to set the respective counters. The bits are decoded as shown in the table below. The default setting is 1 consecutive out-of-limit conversion.

When the $\overline{\text{ALERT}}$ pin is in Comparator mode, the low limit and Diode Fault will bypass the consecutive alert counter and set the appropriate Status bits, but will NOT assert the $\overline{\text{ALERT}}$ pin.

When a value is written to [6.10.21 CONSEC ALERT](#) (Address 22h) that is not defined below, the command is ignored and the last valid value is maintained.

Table 5-9. Consecutive $\overline{\text{ALERT}}$ / $\overline{\text{THERM}}$ Settings

| 2 | 1 | 0 | Number of consecutive Out-of-Limit measurements |
|---|---|---|---|
| 0 | 0 | 0 | 1 (default for $\text{CALRT}<2:0>$) |
| 0 | 0 | 1 | 2 |
| 0 | 1 | 1 | 3 |
| 1 | 1 | 1 | 4 (default for $\text{CTHRM}<2:0>$) |

5.18 “Hottest Of” Comparison

At the end of every measurement cycle, the EMC1812/13/14/15/33 devices compare all of the user-selectable internal and external diode channels to determine which of these channels is reporting the hottest temperature. The hottest temperature is stored in the Hottest Temperature registers and the appropriate Status bit is set in the Hottest Status register. If multiple temperature channels measure the same temperature and are equal to the hottest temperature, the hottest status will be displayed for all selected temperature channels with the hottest temperature measurement.

As an optional feature, the EMC1812/13/14/15/33 devices can also flag an event if the hottest temperature channel changes by enabling the REMHOT (Remember Hottest) bit (see [6.10.43 HOTTEST CONFIG](#)). For example, suppose that external diode channels 1, 3 and 4 are programmed to be compared in the “Hottest Of” Comparison. If the External Diode 1 channel reports the hottest temperature of the three, its temperature is copied into the Hottest Temperature registers (in addition to the External Diode 1 Temperature registers) and it is flagged in the Hottest Status bit. If, on the next measurement, the External Diode 3 channel temperature has increased such that it is now the hottest temperature, the EMC1812/13/14/15/33 devices can flag this event as an interrupt condition and assert the $\overline{\text{ALERT}}$ pin.

5.19 Rate of Change

The Rate of Change (ROC) function approximates the derivative of the temperature using a difference equation. The equation below is the basis for calculation.

The ROC can be enabled for the first two standard diode connections. If Diode 2 is an anti-parallel connected diode, the ROC feature is applied to diode 3. For the EMC1833 the ROC only applies to External Diode 1.

Multi-Channel Low-Voltage Remote Di...

System Block Diagram

Rate of Change

$$\frac{\Delta T}{\Delta t} = \frac{[T(t_{\max}) - T(t_0)] \times \text{gain}}{(\text{sample} - 1)}$$

Where:

| | | |
|---------------|---|--|
| $T(t_{\max})$ | = | temperature at the end of the interval |
| $T(t_0)$ | = | temperature at the beginning of the interval |

The ROC period (T_0 to T_{\max}) can be approximated by the combination of conversion rate (see [Table 5-3](#)) and ROC samples (address 43h, 48h). The table below shows the samples defined by the bit settings.

For example, setting the conversion rate to 1 conversion per second and the number of ROC samples to 65 samples would give an approximate ROC period of 65 seconds or approximately 1 minute.

The gain applied to the result is stored in [6.10.27 ROC GAIN](#) (Address 3Dh). The effective gains are shown in the register definition.

Since this is sampled over time, there is a bit for each channel that indicates a change in slope has occurred. These bits (one for each channel) assert when the result of two consecutive sample differences exceeds the threshold limit as defined by the Hysteresis value defined in [6.10.28 ROC CONFIG](#) (Address 3Eh). The ROC calculations are not affected.

The Limit registers ([6.10.32 R LIMH](#) and [6.10.33 R LIML](#)) and Results registers ([6.10.30 R RESH](#) and [6.10.31 R2/3 RESL](#)) are signed, two's-complement numbers stored in two consecutive registers.

If the Rate of Change result stored in registers 40h and 44h exceeds the programmed limit, the appropriate STATUS register bits will be set in [6.10.29 ROC STATUS](#) (Address 3Fh). The $\overline{\text{ALERT}}$ pin may be asserted or masked, as set by [6.10.28 ROC CONFIG](#) (Address 3Eh). The MASK bit does not prevent the Status bits from updating, but if set, it prevents the $\overline{\text{ALERT}}$ pin from asserting.

In addition to the functions described above, two additional temperature values are stored in register for retrieval. The maximum temperature for a given sample period is stored in a register (4Ah) that updates every sample period and in a second register (4Dh, 4Fh) that stores a "global value" and cleared only when read. The purpose of this register is to determine a maximum or minimum temperature, independent of the sample period.

Below is an example of setting up the Rate of Change feature and interpreting the results.

1. Enable Standby mode: Write a value of 40h into register 03h.
2. Set ROC gain: Write a value of 09h in register 3Dh. This sets the gain value of two for both Ext1 and Ext2/3.
3. Set ROC samples Ext1, Ext2/3: Write a value of 02h/02h in registers 43h/48h. This sets the ROC samples to five for both EXT1 and Ext2/3.
4. Set ROC Alert Limit Ext1/Ext2: Write a value of 01h/01h in registers 41h/46h. This sets the ROC limit to two for both Ext1 and Ext2/3.
5. Enable ROC and Hysteresis: Write a value of 20h in register 3Eh. This enables the ROC and sets the hysteresis value to zero.

ROC example:

1. Stabilize ambient temperature of device to +25°C.
2. Initiate One-Shot conversion: Write a value of FFh in register 0Fh.

Multi-Channel Low-Voltage Remote Di... System Block Diagram

3. Read ROC Status register: For the first conversion, the ROC Status register (3Fh) reads 00h. Note that the initial slope of the sample period is determined using the first and second samples of the sample period.
4. Stabilize ambient temperature of device to +35°C.
5. Initiate One-Shot conversion: Write a value of FFh in register 0Fh.
6. Read ROC Status register: For the second conversion the ROC Status register (3Fh) should read 00h. Again, the initial slope of the sample period is determined using the first and second samples of the sample period.
7. Stabilize ambient temperature of device to 30°C.
8. Initiate One-Shot conversion: Write a value of FFh in register 0Fh.
9. Read ROC Status register: For the third conversion, the ROC Status register (3Fh) reads F0h. The initial slope of the sample period is positive, going from +25°C to +35°C. A change in temperature from 35°C to 30°C causes a slope change, the number of slope changes is now 1 (odd). See ROC Status register (3Fh) bit descriptions for more clarification.
10. Stabilize ambient temperature of device to 45°C.
11. Initiate One-Shot conversion: Write a value of FFh in register 0Fh.
12. Read ROC Status register: For the fourth conversion the ROC Status register (3Fh) should read C0h. The previous slope was negative, going from +35°C to +30°C. A change in temperature from +30°C to +45°C causes a slope change, the number of slope changes is now two (even).
13. Stabilize ambient temperature of device to +35°C.
14. Initiate One-Shot conversion: Write a value of FFh in register 0Fh.
15. Read ROC Status register: For the fifth conversion the ROC Status register (3Fh) should read FCh. The previous slope was positive, going from +30°C to +45°C. A change in temperature from +45°C to +35°C causes a slope change, the number of slope changes is now three (odd). Once the final conversion of the sample period is completed, the ROC result is calculated using the equation below and compared to the ROC HB/LB Limit registers. In this scenario, the ROC limit was exceeded and the appropriate bits were set in the ROC Status register.
16. Read ROC Result HB/LB ROC Result register: Once the final conversion of the sample period is completed, the ROC result is calculated using the following equation. This value is loaded into the ROC HB/LB result register. Based on the equation, the result is 5:

$$\text{ROC Results} = \frac{(35 - 25) \times 2}{4} = 5:$$

The ROCx high byte and low byte are in 9-bit signed two's complement format. The MSB of the low byte is the LSB of the corresponding high byte. For this example the ROC HB and LB would be as follows:

Table 5-10. ROC1,2/3 High-Byte (40h, 44h)

| Sign | 7 | 6 | 5 | 4 | 3 | 2 | 1 |
|------|---|---|---|---|---|---|---|
| 0 | 0 | 0 | 0 | 0 | 0 | 1 | 0 |

Table 5-11. ROC Low-Byte (45h)

| LSB | 2 | 1 | 0 | LSB | 3 | 2 | 1 |
|-----|---|---|---|-----|----------|----------|----------|
| HB2 | — | — | — | HB1 | — | — | — |
| 1 | 0 | 0 | 0 | 1 | 0 (Note) | 0 (Note) | 0 (Note) |

Multi-Channel Low-Voltage Remote Di...

System Block Diagram

.....continued

| | | | | | | | |
|-----|---|---|---|-----|---|---|---|
| LSB | 2 | 1 | 0 | LSB | 3 | 2 | 1 |
|-----|---|---|---|-----|---|---|---|

Note: Fractional value.

17. Read Global Max register (4Dh): The Global Max value is 2Dh or 45°C. The Global Max register contains a history of the highest temperature value. This value is reset only at POR and it is updated at the end of each ROC sample period.
18. Read Sample Period Max Register (49h): The Sample Period Max value should be 2Dh or 45°C. This register contains the highest temperature value for a given sample period and is updated after each temperature conversion.

6. System Management Bus Protocol

The EMC1812/13/14/15/33 devices communicate with a host controller through the SMBus/I²C. The SMBus/I²C is a two-wire serial communication protocol between a computer host and its peripheral devices. A detailed timing diagram is shown in [Figure 1-1](#). Stretching of the SMCLK signal is supported; however, the EMC1812/13/14/15/33 devices do not stretch the clock signal.

6.1 SMBus Start Bit

The SMBus Start bit is defined as a transition of the SMBus/I²C data line from a logic '1' state to a logic '0' state while the SMBus/I²C clock line is in a logic '1' state.

6.2 SMBus Address and RD/ $\overline{\text{WR}}$ Bit

The SMBus address byte consists of the 7-bit client address followed by the RD/ $\overline{\text{WR}}$ indicator bit. If this RD/ $\overline{\text{WR}}$ bit is a logic '0', the SMBus host is writing data to the client device. If this RD/ $\overline{\text{WR}}$ bit is a logic '1', the SMBus Host is reading data from the client device.

The response to the slave address 1001_100xb for -1 parts and 1001_101xb for -2 parts.

6.3 SMBus ACK and NACK Bits

The SMBus client acknowledges all data bytes that it receives. This is done by the client device pulling the SMBus Data line low after the 8th bit of each byte that is transmitted. This applies to both the Write Byte and Block Write protocols.

The Host will NACK (not acknowledge) the last data byte to be received from the client by holding the SMBus data line high after the 8th data bit has been sent. For the Block Read protocol, the Host will ACK (acknowledge) each data byte that it receives, except the last data byte.

6.3.1 SMBus Data Bytes

All SMBus data bytes are sent Most Significant bit first and are composed of 8 bits of information.

6.4 SMBus Stop Bit

The SMBus Stop bit is defined as a transition of the SMBus Data line from a logic '0' state to a logic '1' state while the SMBus clock line is in a logic '1' state. When a EMC1812/13/14/15/33 device detects an SMBus Stop bit and it has been communicating with the SMBus protocol, it will reset its client interface and prepare to receive further communications.

6.5 SMBus Time-Out

The EMC1812/13/14/15/33 device family includes an SMBus time-out feature. Following a 30 ms period of inactivity on the SMBus where the SMCLK pin is held low, the device will time-out and reset the SMBus interface.

The time-out function defaults to disabled. It can be enabled by setting the TIMEOUT bit in the Consecutive Alert register (see [Consecutive Alert Register \(address 22h\)](#)).

6.6 SMBus and I²C Compliance

The major differences between SMBus and I²C devices include the following:

- Minimum frequency for SMBus communications is 10 kHz
- The client protocol resets if the clock is held low for longer than 30 ms
- Except when operating in the Standby mode, the client protocol resets if both the clock and the data line are high for longer than 150 μ s (Idle condition)
- I²C devices do not support the Alert Response Address functionality (which is optional for SMBus)

For complete compliance information, refer to “**Application Note 14.0 - Microchip Dedicated Slave Devices in I²C™ Systems**” (DS00001853)

6.7 SMBus Protocols

The EMC1812/13/14/15/33 devices are SMBus 2.0 compatible and support send byte, read byte, block read, receive byte as valid protocols, as shown below. They also support the I²C Block Read and Block Write protocols. The device supports write byte, read byte and block read/block write.

All of the protocols below use the convention in the SMBus Protocol table.

Table 6-1. SMBus Protocol

| Data Sent to Device | Data Sent to the Host |
|---------------------|-----------------------|
| # of bits sent | # of bits sent |

6.7.1 SMBus Write Byte

The Write Byte is used to write one byte of data to a specific register, as shown in the following table.

Table 6-2. SMBus Write Byte Protocol

| START | Slave Address | WR | ACK | Register Address | ACK | Register Data | ACK | STOP |
|-------|---------------|----|-----|------------------|-----|---------------|-----|-------|
| 1 → 0 | YYYY_YYY | 0 | 0 | XXh | 0 | XXh | 0 | 0 → 1 |

6.7.2 Block Write

The Block Write is used to write multiple data bytes to a group of contiguous registers, as shown below. It is an extension of the Write Byte protocol.

Table 6-3. Block Write Protocol

| START | Slave Address | WR | ACK | Register Address | ACK | Repeat N Times | | STOP |
|-------|---------------|----|-----|------------------|-----|----------------|-----|-------|
| | | | | | | Register Data | ACK | |
| 1 → 0 | YYYY_YYY | 0 | 0 | XXh | 0 | XXh | 0 | 0 → 1 |

Note: When using the Block Write protocol, the internal Address Pointer will be automatically incremented after every data byte is received. It will wrap from FFh to 00h.

Note: The Block Write and Block Read protocols require that the Address Pointer be automatically incremented. For a write command, the Address Pointer will be automatically incremented when the ACK is sent to the host. There is no over or under bound limit checking and the Address Pointer will wrap around from FFh to 00h if necessary.

Multi-Channel Low-Voltage Remote Di...

System Management Bus Protocol

6.7.3 SMBus Read Byte

The Read Byte protocol is used to read one byte of data from the registers, as shown below.

Table 6-4. Read Byte Protocol

| START | Slave Address | WRITE | ACK | Register Data | ACK |
|-------|---------------|-------|-----|---------------|-----|
| 1 → 0 | YYYY_YYY | 0 | 0 | XXh | 0 |

| START | Slave Address | READ | ACK | Register Data | NACK | STOP |
|-------|---------------|------|-----|---------------|------|-------|
| 1 → 0 | 0101_000 | 1 | 0 | XXh | 1 | 0 → 1 |

6.7.4 Block Read

The Block Read is used to read multiple data bytes from a group of contiguous registers, as shown below. It is an extension of the Read Byte protocol.

Note: When using the Block Read protocol, the internal Address Pointer will be automatically incremented after every data byte is received. It will wrap from FFh to 00h.

Table 6-5. Block Read Protocol

| START | Slave Address | Write | ACK | Register Address | ACK |
|-------|---------------|-------|-----|------------------|-----|
| 1->0 | YYYY_YYY | 0 | 0 | XXh | 0 |

| START | Slave Address | Read | ACK | Register Data | ACK | Register Data | NACK | STOP |
|-------|---------------|------|-----|---------------|-----|---------------|------|-------|
| 1 → 0 | YYYY_YYY | 1 | 0 | XXh | 0 | XXh | 1 | 0 → 1 |

Note: The Block Write and Block Read protocols require that the Address Pointer be automatically incremented. For a read command, the Address Pointer will be automatically incremented when the ACK is sent by the host. There is no over or under bound limit checking and the Address Pointer will wrap around from FFh to 00h if necessary.

6.7.5 SMBus Send Byte

The Send Byte protocol is used to set the internal Address Register Pointer to the correct address location. No data is transferred during the Send Byte protocol, as shown below.

Table 6-6. Send Byte Protocol

| START | Slave Address | WR | ACK | Register Data | ACK | STOP |
|-------|---------------|----|-----|---------------|-----|-------|
| 1 → 0 | YYYY_YYY | 0 | 0 | XXh | 0 | 0 → 1 |

6.7.6 SMBus Receive Byte

The Receive Byte protocol is used to read data from a register when the internal register Address Pointer is known to be at the right location (e.g., set via Send Byte). This is used for consecutive reads of the same register as shown in [Table 6-7](#).

Table 6-7. Receive Byte Protocol

| START | Slave Address | RD | ACK | Register Data | NACK | STOP |
|-------|---------------|----|-----|---------------|------|-------|
| 1 → 0 | YYYY_YYY | 1 | 0 | XXh | 1 | 0 → 1 |

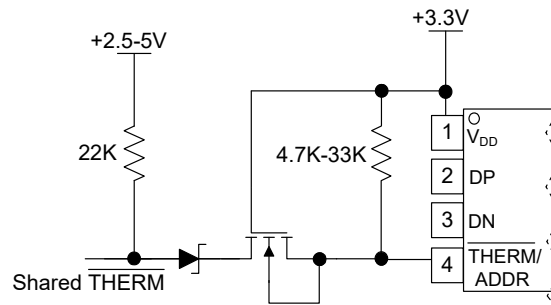
6.8 THERM Pin Considerations

Because of the decode method used to determine the I²C address, it is important that the pull-up resistance on the THERM pin be within the tolerances shown in [Table 5-2](#).

For t_{INT_T} after power-up, the THERM pin must not be pulled low or the I²C address will not be decoded properly. If the system requirements do not permit these conditions, the THERM pin must be isolated from its hard-wired OR'd bus during this time.

One method of isolating this pin is shown in the following figure.

Figure 6-1. THERM Pin Isolation



Multi-Channel Low-Voltage Remote Di...

System Management Bus Protocol

6.9 Register Summary

Reserved bitfields are marked gray. Reserved bitfield will read as '0'.

| Offset | Name | Bit Pos. | | | | | | | | | |
|--------|-----------------------------|----------|-----------------|--------|--------|---------|---------|-------|--------|-------|--|
| 0x00 | INT HIGH BYTE | 7:0 | IHB[7:0] | | | | | | | | |
| 0x01 | EXT1 HIGH BYTE | 7:0 | EXT(N)HB[7:0] | | | | | | | | |
| 0x02 | STATUS | 7:0 | ROCF | HOTCHG | BUSY | HIGH | LOW | FAULT | ETHRM | ITHRM | |
| 0x03 | CONFIG | 7:0 | MSKAL | R/S | AT/THM | RECD1/2 | RECD3/4 | RANGE | DA_ENA | APDD | |
| 0x04 | CONVERT | 7:0 | CONV[3:0] | | | | | | | | |
| 0x05 | INT DIODE HIGH LIMIT | 7:0 | IDHL[7:0] | | | | | | | | |
| 0x06 | INT DIODE LOW LIMIT | 7:0 | IDLL[7:0] | | | | | | | | |
| 0x07 | EXT1 HIGH LIMIT HIGH BYTE | 7:0 | EXT(N)HLHB[7:0] | | | | | | | | |
| 0x08 | EXT1 LOW LIMIT HIGH BYTE | 7:0 | EXT(N)LLHB[7:0] | | | | | | | | |
| 0x09 | CONFIG | 7:0 | MSKAL | R/S | AT/THM | RECD1/2 | RECD3/4 | RANGE | DA_ENA | APDD | |
| 0x0A | CONVERT | 7:0 | CONV[3:0] | | | | | | | | |
| 0x0B | INT DIODE HIGH LIMIT | 7:0 | IDHL[7:0] | | | | | | | | |
| 0x0C | INT DIODE LOW LIMIT | 7:0 | IDLL[7:0] | | | | | | | | |
| 0x0D | EXT1 HIGH LIMIT HIGH BYTE | 7:0 | EXT(N)HLHB[7:0] | | | | | | | | |
| 0x0E | EXT1 LOW LIMIT HIGH BYTE | 7:0 | EXT(N)LLHB[7:0] | | | | | | | | |
| 0x0F | ONE SHOT | 7:0 | ONSH[7:0] | | | | | | | | |
| 0x10 | EXT1 LOW BYTE | 7:0 | EXT(N)LB[2:0] | | | | | | | | |
| 0x11 | SCRTCHPD1 | 7:0 | SPD(N)[7:0] | | | | | | | | |
| 0x12 | SCRTCHPD2 | 7:0 | SPD(N)[7:0] | | | | | | | | |
| 0x13 | EXT1 HIGH LIMIT LOW BYTE | 7:0 | EXT(N)HLLB[2:0] | | | | | | | | |
| 0x14 | EXT1 LOW LIMIT LOW BYTE | 7:0 | EXT(N)LLLB[2:0] | | | | | | | | |
| 0x15 | EXT2 HIGH LIMIT HIGH BYTE | 7:0 | EXT(N)HLHB[7:0] | | | | | | | | |
| 0x16 | EXT2 LOW LIMIT HIGH BYTE | 7:0 | EXT(N)LLHB[7:0] | | | | | | | | |
| 0x17 | EXT2 HIGH LIMIT LOW BYTE | 7:0 | EXT(N)HLLB[2:0] | | | | | | | | |
| 0x18 | EXT2 LOW LIMIT LOW BYTE | 7:0 | EXT(N)LLLB[2:0] | | | | | | | | |
| 0x19 | EXT1 THERM LIMIT | 7:0 | EXT(N)THL[7:0] | | | | | | | | |
| 0x1A | EXT2 THERM LIMIT | 7:0 | EXT(N)THL[7:0] | | | | | | | | |
| 0x1B | EXTERNAL DIODE FAULT STATUS | 7:0 | | | | E4FLT | E3FLT | E2FLT | E1FLT | | |

Multi-Channel Low-Voltage Remote Di...

System Management Bus Protocol

.....continued

| Offset | Name | Bit Pos. | | | | | | | | | |
|---------------------|---------------------------|----------|-----------------|------------|---------------|---------|--------------|------------|--------|---------|--|
| 0x1C ... 0x1E | Reserved | | | | | | | | | | |
| 0x1F | DIODE FAULT MASK | 7:0 | | | | E4MASK | E3MASK | E2MASK | E1MASK | INTMASK | |
| 0x20 | INT DIODE THERM LIMIT | 7:0 | IDTHL[7:0] | | | | | | | | |
| 0x21 | THRM HYS | 7:0 | THRMH[7:0] | | | | | | | | |
| 0x22 | CONSEC ALERT | 7:0 | TMOUT | CTHRM[2:0] | | | | CALRT[2:0] | | | |
| 0x23 | EXT2 HIGH BYTE | 7:0 | EXT(N)HB[7:0] | | | | | | | | |
| 0x24 | EXT2 LOW BYTE | 7:0 | EXT(N)LB[2:0] | | | | | | | | |
| 0x25 | EXT1 BETA CONFIG | 7:0 | | | | ENBL(N) | BETA(N)[3:0] | | | | |
| 0x26 | EXT2 BETA CONFIG | 7:0 | | | | ENBL(N) | BETA(N)[3:0] | | | | |
| 0x27 | EXT1 IDEALITY FACTOR | 7:0 | | | IDEAL(N)[5:0] | | | | | | |
| 0x28 | EXT2 IDEALITY FACTOR | 7:0 | | | IDEAL(N)[5:0] | | | | | | |
| 0x29 | INT LOW BYTE | 7:0 | ILB[2:0] | | | | | | | | |
| 0x2A | EXT3 HIGH BYTE | 7:0 | EXT(N)HB[7:0] | | | | | | | | |
| 0x2B | EXT3 LOW BYTE | 7:0 | EXT(N)LB[2:0] | | | | | | | | |
| 0x2C | EXT3 HIGH LIMIT HIGH BYTE | 7:0 | EXT(N)HLHB[7:0] | | | | | | | | |
| 0x2D | EXT3 LOW LIMIT HIGH BYTE | 7:0 | EXT(N)LLHB[7:0] | | | | | | | | |
| 0x2E | EXT3 HIGH LIMIT LOW BYTE | 7:0 | EXT(N)HLLB[2:0] | | | | | | | | |
| 0x2F | EXT3 LOW LIMIT LOW BYTE | 7:0 | EXT(N)LLL[2:0] | | | | | | | | |
| 0x30 | EXT3 THERM LIMIT | 7:0 | EXT(N)THL[7:0] | | | | | | | | |
| 0x31 | EXT3 IDEALITY FACTOR | 7:0 | | | IDEAL(N)[5:0] | | | | | | |
| 0x32 | EXT4 HIGH BYTE | 7:0 | EXT(N)HB[7:0] | | | | | | | | |
| 0x33 | EXT4 LOW BYTE | 7:0 | EXT(N)LB[2:0] | | | | | | | | |
| 0x34 | EXT4 HIGH LIMIT HIGH BYTE | 7:0 | EXT(N)HLHB[7:0] | | | | | | | | |
| 0x35 | EXT4 LOW LIMIT HIGH BYTE | 7:0 | EXT(N)LLHB[7:0] | | | | | | | | |
| 0x36 | EXT4 HIGH LIMIT LOW BYTE | 7:0 | EXT(N)HLLB[2:0] | | | | | | | | |
| 0x37 | EXT4 LOW LIMIT LOW BYTE | 7:0 | EXT(N)LLL[2:0] | | | | | | | | |
| 0x38 | EXT4 THERM LIMIT | 7:0 | EXT(N)THL[7:0] | | | | | | | | |
| 0x39 | EXT4 IDEALITY FACTOR | 7:0 | | | IDEAL(N)[5:0] | | | | | | |

Multi-Channel Low-Voltage Remote Di... System Management Bus Protocol

.....continued

| Offset | Name | Bit Pos. | | | | | | | | | |
|--------|-------------------------|----------|---------------|-------|---------|---------|-------------|-----------|-------------|--------|--|
| 0x3A | HIGH LIMIT STATUS | 7:0 | | | | E4HIGH | E3HIGH | E2HIGH | E1HIGH | IHIGH | |
| 0x3B | LOW LIMIT STATUS | 7:0 | | | | E4LOW | E3LOW | E2LOW | E1LOW | ILOW | |
| 0x3C | THERM LIMIT STATUS | 7:0 | | | | E4THERM | E3THERM | E2THERM | E1THERM | ITHERM | |
| 0x3D | ROC GAIN | 7:0 | RC1G[7:0] | | | | | | | | |
| 0x3E | ROC CONFIG | 7:0 | | | EN_ROC | MASK2/3 | MASK1 | RCHY[2:0] | | | |
| 0x3F | ROC STATUS | 7:0 | SLCG2/3 | SLCG1 | R2/3ODD | R1ODD | RC2/3HI | RC1HI | RC2/3LO | RC1LO | |
| 0x40 | R1 RESH | 7:0 | R(N)RH[7:0] | | | | | | | | |
| 0x41 | R1 LIMH | 7:0 | R(N)LIMH[7:0] | | | | | | | | |
| 0x42 | R1 LIML | 7:0 | R(N)LIML[3:0] | | | | | | | | |
| 0x43 | R1 SMPL | 7:0 | | | | | R(N)SH[3:0] | | | | |
| 0x44 | R2 RESH | 7:0 | R(N)RH[7:0] | | | | | | | | |
| 0x45 | R2/3 RESL | 7:0 | R2/3_RL[3:0] | | | | R1_RL[3:0] | | | | |
| 0x46 | R2 LIMH | 7:0 | R(N)LIMH[7:0] | | | | | | | | |
| 0x47 | R2 LIML | 7:0 | R(N)LIML[3:0] | | | | | | | | |
| 0x48 | R2 SMPL | 7:0 | | | | | R(N)SH[3:0] | | | | |
| 0x49 | PER MAXTH | 7:0 | GM(N)HB[7:0] | | | | | | | | |
| 0x4A | PER MAXT1L | 7:0 | PM(N)L[2:0] | | | | | | | | |
| 0x4B | PER MAXTH | 7:0 | GM(N)HB[7:0] | | | | | | | | |
| 0x4C | PER MAXT2/3L | 7:0 | PM(N)L[2:0] | | | | | | | | |
| 0x4D | GBL MAXT1H | 7:0 | GM(N)HB[7:0] | | | | | | | | |
| 0x4E | GBL MAXT1L | 7:0 | GM(N)LB[2:0] | | | | | | | | |
| 0x4F | GBL MAXT2H | 7:0 | GM(N)HB[7:0] | | | | | | | | |
| 0x50 | GBL MAXT2L | 7:0 | GM(N)LB[2:0] | | | | | | | | |
| 0x51 | FILTER SEL | 7:0 | | | | | | | FILTER[1:0] | | |
| 0x52 | Reserved | | | | | | | | | | |
| ... | | | | | | | | | | | |
| 0x5F | | | | | | | | | | | |
| 0x60 | INT HIGH BYTE | 7:0 | IHB[7:0] | | | | | | | | |
| 0x61 | INT LOW BYTE | 7:0 | ILB[2:0] | | | | | | | | |
| 0x62 | EXT1 HIGH BYTE | 7:0 | EXT(N)HB[7:0] | | | | | | | | |
| 0x63 | EXT1 LOW BYTE | 7:0 | EXT(N)LB[2:0] | | | | | | | | |
| 0x64 | EXT2 HIGH BYTE | 7:0 | EXT(N)HB[7:0] | | | | | | | | |
| 0x65 | EXT2 LOW BYTE | 7:0 | EXT(N)LB[2:0] | | | | | | | | |
| 0x66 | EXT3 HIGH BYTE | 7:0 | EXT(N)HB[7:0] | | | | | | | | |
| 0x67 | EXT3 LOW BYTE | 7:0 | EXT(N)LB[2:0] | | | | | | | | |
| 0x68 | EXT4 HIGH BYTE | 7:0 | EXT(N)HB[7:0] | | | | | | | | |
| 0x69 | EXT4 LOW BYTE | 7:0 | EXT(N)LB[2:0] | | | | | | | | |
| 0x6A | HOTTEST DIODE HIGH BYTE | 7:0 | HDHB[7:0] | | | | | | | | |
| 0x6B | HOTTEST DIODE LOW BYTE | 7:0 | HDLB[2:0] | | | | | | | | |
| 0x6C | HOTTEST STATUS | 7:0 | | | | E4HOT | E3HOT | E2HOT | E1HOT | IHOT | |
| 0x6D | HOTTEST CONFIG | 7:0 | | | REMHOT | E4ENB | E3ENB | E2ENB | E1ENB | IENB | |

Multi-Channel Low-Voltage Remote Di...

System Management Bus Protocol

.....continued

| Offset | Name | Bit Pos. | | | | | | | | |
|---------------------|-----------------|----------|-----------------|--|--|--|--|--|--|--|
| 0x6E ... 0xFC | Reserved | | | | | | | | | |
| 0xFD | PRODUCT ID | 7:0 | PRODUCT_ID[7:0] | | | | | | | |
| 0xFE | MANUFACTURER ID | 7:0 | MCHP_ID[7:0] | | | | | | | |
| 0xFF | REVISION | 7:0 | REV[7:0] | | | | | | | |

6.10 Data Read Interlock

When any temperature channel high byte register is read, the corresponding low byte is copied into an internal 'shadow' register. The user is free to read the low byte at any time and be ensured that it corresponds to the previously read high byte. Regardless if the low byte is read or not, reading from the same high byte register again automatically refreshes this stored low byte data.

Multi-Channel Low-Voltage Remote Di...

System Management Bus Protocol

6.10.1 Internal Diode High Byte Data Register (Addresses 00h, 60h)

Name: INT HIGH BYTE
Offset: 0x00, 0x60

| Bit | 7 | 6 | 5 | 4 | 3 | 2 | 1 | 0 |
|--------|----------|----|----|----|----|----|----|----|
| | IHB[7:0] | | | | | | | |
| Access | RO | RO | RO | RO | RO | RO | RO | RO |
| Reset | 0 | 0 | 0 | 0 | 0 | 0 | 0 | 0 |

Bits 7:0 – IHB[7:0] Unsigned or unsigned offset depending on the RANGE bit.

Multi-Channel Low-Voltage Remote Di...

System Management Bus Protocol

6.10.2 Internal Diode Low Byte Data Register (Addresses 29h, 61h)

Name: INT LOW BYTE
Offset: 0x29, 0x61

| | | | | | | | | |
|--------|----------|----|----|---|---|---|---|---|
| Bit | 7 | 6 | 5 | 4 | 3 | 2 | 1 | 0 |
| | ILB[2:0] | | | | | | | |
| Access | RW | RW | RW | | | | | |
| Reset | 0 | 0 | 0 | | | | | |

Bits 7:5 – ILB[2:0] Fractional portion of the Internal Diode Temperature to be added to the value at register 00h.

| Value | Description |
|-------|-------------|
| 111 | 0.875 °C |
| 110 | 0.750 °C |
| 101 | 0.625 °C |
| 100 | 0.500 °C |
| 011 | 0.375 °C |
| 010 | 0.250 °C |
| 001 | 0.125 °C |
| 000 | 0.000 °C |

Multi-Channel Low-Voltage Remote Di...

System Management Bus Protocol

6.10.3 External Diode High Byte Data Register (Addresses 01h, 23h, 2Ah, 32h, 62h, 64h, 66h and 68h)

Name: EXT_n HIGH BYTE

Offset: 0x01, 0x23, 0x2A, 0x32, 0x62, 0x64, 0x66, 0x68

| Bit | 7 | 6 | 5 | 4 | 3 | 2 | 1 | 0 |
|--------|---------------|----|----|----|----|----|----|----|
| | EXT(N)HB[7:0] | | | | | | | |
| Access | RO | RO | RO | RO | RO | RO | RO | RO |
| Reset | 0 | 0 | 0 | 0 | 0 | 0 | 0 | 0 |

Bits 7:0 – EXT(N)HB[7:0] Unsigned or unsigned offset depending on the RANGE bit.

Multi-Channel Low-Voltage Remote Di...

System Management Bus Protocol

6.10.4 External Diode Low Byte Data Register (Addresses 10h, 24h, 2Bh, 33h, 63h, 65h, 67h and 69h)

Name: EXT_n LOW BYTE
Offset: 0x10, 0x24, 0x2B, 0x33, 0x63, 0x65, 0x67, 0x69

| | | | | | | | | |
|--------|---------------|----|----|---|---|---|---|---|
| Bit | 7 | 6 | 5 | 4 | 3 | 2 | 1 | 0 |
| | EXT(N)LB[2:0] | | | | | | | |
| Access | RO | RO | RO | | | | | |
| Reset | 0 | 0 | 0 | | | | | |

Bits 7:5 – EXT(N)LB[2:0] Fractional portion of the internal diode temperature to be added to the value at register 00h

| Value | Description |
|-------|-------------|
| 111 | 0.875 °C |
| 110 | 0.750 °C |
| 101 | 0.625 °C |
| 100 | 0.500 °C |
| 011 | 0.375 °C |
| 010 | 0.250 °C |
| 001 | 0.125 °C |
| 000 | 0.000 °C |

Multi-Channel Low-Voltage Remote Di... System Management Bus Protocol

6.10.5 Diode Status Register (Address 02h)

Name: STATUS
Offset: 0x02

The STATUS register reports the operating status of the internal diode and external diode channels.

| Bit | 7 | 6 | 5 | 4 | 3 | 2 | 1 | 0 |
|--------|------|--------|------|------|-----|-------|-------|-------|
| | ROCF | HOTCHG | BUSY | HIGH | LOW | FAULT | ETHRM | ITHRM |
| Access | RO | RO | RO | RO | RO | RO | RO | RO |
| Reset | 0 | 0 | 0 | 0 | 0 | 0 | 0 | 0 |

Bit 7 – ROCF This bit indicates if external diode 1 or 2 has exceeded the programmed Rate of Change limit.

| Value | Description |
|-------|---------------------|
| 1 | ROC above limit |
| 0 | ROC not above limit |

Bit 6 – HOTCHG This bit indicates if the hottest channel has changed from the previous temperature measurement.

| Value | Description |
|-------|---|
| 1 | The hottest channel has changed from the previous temperature measurement |
| 0 | The hottest channel has not changed from the previous temperature measurement |

Bit 5 – BUSY This bit indicates if the ADC is currently converted measured data.

| Value | Description |
|-------|---|
| 1 | The ADC is currently converting measured data |
| 0 | The ADC is not currently converting measured data |

Bit 4 – HIGH This bit indicates if a temperature channel exceeds its programmed high limit. When set, this bit will assert the $\overline{\text{ALERT}}$ pin.

| Value | Description |
|-------|--|
| 1 | Reported temperature above the high limit |
| 0 | Reported temperature is not above the high limit |

Bit 3 – LOW This bit indicates if a temperature channel drops below its programmed low limit. When set, this bit will assert the $\overline{\text{ALERT}}$ pin.

| Value | Description |
|-------|--|
| 1 | Reported temperature below, or equal to, the low limit |
| 0 | Reported temperature is not below the low limit |

Bit 2 – FAULT This bit indicates when a Diode Fault is detected. When set, this bit will assert the $\overline{\text{ALERT}}$ pin.

| Value | Description |
|-------|---------------------------------|
| 1 | A diode fault has been detected |

Multi-Channel Low-Voltage Remote Di...

System Management Bus Protocol

| Value | Description |
|-------|-------------------|
| 0 | No Fault reported |

Bit 1 – ETHRM This bit indicates the external diode channel exceeds the programmed Therm limit. When set, this bit will assert the $\overline{\text{THERM}}$ pin. This bit will remain set until the $\overline{\text{THERM}}$ pin is released, at which point it will be automatically cleared.

| Value | Description |
|-------|--|
| 1 | Reported temperature above the high limit |
| 0 | Reported temperature is not above the high limit |

Bit 0 – ITHRM This bit is set when the internal diode channel exceeds the programmed Therm limit. When set, this bit will assert the $\overline{\text{THERM}}$ pin. This bit will remain set until the $\overline{\text{THERM}}$ pin is released, at which point it will be automatically cleared.

| Value | Description |
|-------|--|
| 1 | Reported temperature above the high limit |
| 0 | Reported temperature is not above the high limit |

Multi-Channel Low-Voltage Remote Di...

System Management Bus Protocol

6.10.6 Configuration Register (Addresses 03h and 09h)

Name: CONFIG
Offset: 0x03, 0x09

| Bit | 7 | 6 | 5 | 4 | 3 | 2 | 1 | 0 |
|--------|-------|-----|--------|---------|---------|-------|--------|------|
| | MSKAL | R/S | AT/THM | RECD1/2 | RECD3/4 | RANGE | DA_ENA | APDD |
| Access | RW | RW | RW | RW | RW | RW | RW | RW |
| Reset | 0 | 0 | 0 | 0 | 0 | 0 | 0 | 0 |

Bit 7 – MSKAL Masks the ALERT pin from asserting when the ALERT pin is in Interrupt mode. This bit has no effect when the ALERT pin is in Comparator mode.

| Value | Description |
|-------|--|
| 1 | The ALERT pin is masked and will not be asserted for any interrupt condition when the ALERT pin is in Interrupt mode. The Status Registers will be updated normally. |
| 0 | The ALERT pin is not masked. If any of the appropriate Status bits are set, the ALERT pin will be asserted. |

Bit 6 – R/S Controls Run/Stop states.

| Value | Description |
|-------|---|
| 1 | The device is in Stop (standby) state and not converting (unless a one-shot has been commanded) |
| 0 | The device is in Run (active) state and converting on all channels |

Bit 5 – AT/THM Controls the operation of the ALERT pin. When the ALERT pin is in Comparator mode, each channel has a consecutive counter OR'ed to assert the ALERT pin. The ALERT pin is deasserted after one measurement is below the high limit minus the Therm Hysteresis.

| Value | Description |
|-------|--|
| 1 | The ALERT pin acts in Comparator mode as described in 5.5.2 ALERT/THERM2 Pin in Therm Mode . In this mode the MASK_ALL bit is ignored. |
| 0 | The ALERT pin acts in Interrupt mode as described in 5.5.1 ALERT/THERM2 Pin Interrupt Mode |

Bit 4 – RECD1/2 Disables the Resistance Error Correction (REC) for the DP1/DN1 pins.

| Value | Description |
|-------|--|
| 1 | REC is disabled for the DP1/DN1 and DP2/DN2 pins |
| 0 | REC is enabled for the DP1/DN1 and DP2/DN2 pins |

Bit 3 – RECD3/4 Disables the Resistance Error Correction (REC) for the DP2/DN2 pins.

| Value | Description |
|-------|--|
| 1 | REC is disabled for the DP2/DN2 and DP4/DN4 pins |
| 0 | REC is enabled for the DP2/DN2 and DP4/DN4 pins |

Bit 2 – RANGE Configures the measurement range and data format of the temperature channels.

Multi-Channel Low-Voltage Remote Di...

System Management Bus Protocol

| Value | Description |
|-------|--|
| 1 | The temperature measurement range is -64°C to +191.875°C and the data format is offset binary (see Table 5-1) |
| 0 | The temperature measurement range is 0°C to +127.875°C and the data format is binary |

Bit 1 – DA_ENA Enables the dynamic averaging feature on all temperature channels.

| Value | Description |
|-------|--|
| 1 | The dynamic averaging feature is enabled. All temperature channels will be converted with an averaging factor that is based on the conversion rate, as shown in Table 5-3 . |
| 0 | The dynamic averaging feature is disabled. All temperature channels will be converted with a maximum averaging factor of 1x (equivalent to 11-bit conversion). For higher conversion rates, this averaging factor will be reduced, as shown in Table 5-4 |

Bit 0 – APDD Disables the anti-parallel diode operation only allowing each APD pin set to bias and measure one diode.

| Value | Description |
|-------|--|
| 1 | Anti-Parallel Diode mode is disabled. Only one external diode will be measured on the DP1/DN1 and DP2/DN2 pins |
| 0 | Anti-Parallel Diode mode is enabled. Two external diodes will be measured on the DP1/DN1 and DP2/DN2 pins |

Multi-Channel Low-Voltage Remote Di...

System Management Bus Protocol

6.10.7 Temperature Conversion Rate Register (Addresses 04h and 0Ah)

Name: CONVERT
Offset: 0x04, 0x0A

| Bit | 7 | 6 | 5 | 4 | 3 | 2 | 1 | 0 |
|--------|---|---|---|---|-----------|----|----|----|
| | | | | | CONV[3:0] | | | |
| Access | | | | | RW | RW | RW | RW |
| Reset | | | | | 0 | 0 | 0 | 0 |

Bits 3:0 – CONV[3:0] The Conversion Rate register controls how often the temperature measurement channels are updated and compared against the limits.

This register is fully accessible at either address. It determines the conversion rate as shown in [Table 5-3](#).

Multi-Channel Low-Voltage Remote Di... System Management Bus Protocol

6.10.8 Internal Diode High Limit Register (Addresses 05h and 0Bh)

Name: INT DIODE HIGH LIMIT
Offset: 0x05, 0x0B

| Bit | 7 | 6 | 5 | 4 | 3 | 2 | 1 | 0 |
|--------|-----------|----|----|----|----|----|----|----|
| | IDHL[7:0] | | | | | | | |
| Access | RW | RW | RW | RW | RW | RW | RW | RW |
| Reset | 0 | 0 | 0 | 0 | 0 | 0 | 0 | 0 |

Bits 7:0 – IDHL[7:0] Unsigned or unsigned offset depending on the RANGE bit.

Multi-Channel Low-Voltage Remote Di... System Management Bus Protocol

6.10.9 Internal Diode Low Limit Register (Addresses 06H and 0CH)

Name: INT DIODE LOW LIMIT
Offset: 0x06, 0x0C

| Bit | 7 | 6 | 5 | 4 | 3 | 2 | 1 | 0 |
|--------|-----------|----|----|----|----|----|----|----|
| | IDLL[7:0] | | | | | | | |
| Access | RW | RW | RW | RW | RW | RW | RW | RW |
| Reset | 0 | 0 | 0 | 0 | 0 | 0 | 0 | 0 |

Bits 7:0 – IDLL[7:0] Integer value of the Internal Diode temperature reading.

Multi-Channel Low-Voltage Remote Di... System Management Bus Protocol

6.10.10 Ext High Limit High Byte Register (Addresses 07h, 0Dh, 15h, 2Ch and 34h)

Name: EXT HIGH LIMIT HIGH BYTE
Offset: 0x07, 0x0D, 0x15, 0x2C, 0x34

| Bit | 7 | 6 | 5 | 4 | 3 | 2 | 1 | 0 |
|--------|-----------------|----|----|----|----|----|----|----|
| | EXT(N)HLHB[7:0] | | | | | | | |
| Access | RW | RW | RW | RW | RW | RW | RW | RW |
| Reset | 0 | 0 | 0 | 0 | 0 | 0 | 0 | 0 |

Bits 7:0 – EXT(N)HLHB[7:0] Integer value of the External Diode n temperature reading, where n = 1 to 4, depending on device.

Multi-Channel Low-Voltage Remote Di...

System Management Bus Protocol

6.10.11 Ext High Limit Low Byte Register (Addresses 13h, 17h, 2Eh and 36h)

Name: EXT HIGH LIMIT LOW BYTE
Offset: 0x13, 0x17, 0x2E, 0x36

| | | | | | | | | |
|--------|-----------------|----|----|---|---|---|---|---|
| Bit | 7 | 6 | 5 | 4 | 3 | 2 | 1 | 0 |
| | EXT(N)HLLB[2:0] | | | | | | | |
| Access | RW | RW | RW | | | | | |
| Reset | 0 | 0 | 0 | | | | | |

Bits 7:5 – EXT(N)HLLB[2:0] Fractional portion of the High Limit Temperature to be added to the value at the respective high byte registers.

| Value | Description |
|-------|-------------|
| 111 | 0.875 °C |
| 110 | 0.750 °C |
| 101 | 0.625 °C |
| 100 | 0.500 °C |
| 011 | 0.375 °C |
| 010 | 0.250 °C |
| 001 | 0.125 °C |
| 000 | 0.000 °C |

Multi-Channel Low-Voltage Remote Di...

System Management Bus Protocol

6.10.12 Ext(n) Low Limit High Byte Register (Addresses 08h, 0Eh, 16h, 2Dh and 35h)

Name: EXT LOW LIMIT HIGH BYTE
Offset: 0x08, 0x0E, 0x16, 0x2D, 0x35

| Bit | 7 | 6 | 5 | 4 | 3 | 2 | 1 | 0 |
|--------|-----------------|----|----|----|----|----|----|----|
| | EXT(N)LLHB[7:0] | | | | | | | |
| Access | RW | RW | RW | RW | RW | RW | RW | RW |
| Reset | 0 | 0 | 0 | 0 | 0 | 0 | 0 | 0 |

Bits 7:0 – EXT(N)LLHB[7:0] Integer portion of External Diode n Low Temperature Limit, where n = 1 to 4, depending on device.

Multi-Channel Low-Voltage Remote Di...

System Management Bus Protocol

6.10.13 Ext(n) Low Limit Low Byte Register (Addresses 14h, 18h, 2fh and 37h)

Name: EXT LOW LIMIT LOW BYTE
Offset: 0x14, 0x18, 0x2f, 0x37

| | | | | | | | | | |
|--------|-----|----------------|----|----|---|---|---|---|---|
| | Bit | 7 | 6 | 5 | 4 | 3 | 2 | 1 | 0 |
| | | EXT(N)LLL[2:0] | | | | | | | |
| Access | | RW | RW | RW | | | | | |
| Reset | | 0 | 0 | 0 | | | | | |

Bits 7:5 – EXT(N)LLL[2:0] Fractional portion of the Low Limit Temperature to be added to the value at the respective high byte registers, where n = 1 to 4.

| Value | Description |
|-------|-------------|
| 111 | 0.875 °C |
| 110 | 0.750 °C |
| 101 | 0.625 °C |
| 100 | 0.500 °C |
| 011 | 0.375 °C |
| 010 | 0.250 °C |
| 001 | 0.125 °C |
| 000 | 0.000 °C |

Multi-Channel Low-Voltage Remote Di...

System Management Bus Protocol

6.10.14 Scratchpad Register (Addresses 11H and 12H)

Name: SCRTCHPD
Offset: 0x11 + n*0x01 [n=0..1]

| Bit | 7 | 6 | 5 | 4 | 3 | 2 | 1 | 0 |
|--------|-------------|----|----|----|----|----|----|----|
| | SPD(N)[7:0] | | | | | | | |
| Access | RW | RW | RW | RW | RW | RW | RW | RW |
| Reset | 0 | 0 | 0 | 0 | 0 | 0 | 0 | 0 |

Bits 7:0 – SPD(N)[7:0] User temporary storage registers, where n = 1 to 2.

Multi-Channel Low-Voltage Remote Di...

System Management Bus Protocol

6.10.15 One-Shot Register (Address 0FH)

Name: ONE SHOT
Offset: 0x0F

| Bit | 7 | 6 | 5 | 4 | 3 | 2 | 1 | 0 |
|--------|-----------|----|----|----|----|----|----|----|
| | ONSH[7:0] | | | | | | | |
| Access | RW | RW | RW | RW | RW | RW | RW | RW |
| Reset | 0 | 0 | 0 | 0 | 0 | 0 | 0 | 0 |

Bits 7:0 – ONSH[7:0] When the device is in the Standby state, writing to the One-Shot register will initiate a conversion cycle and update the temperature measurements.

Writing to the One-Shot register while the device is in the Active state or when the BUSY bit is set in the STATUS register (Address 02h) will have no effect.

Multi-Channel Low-Voltage Remote Di...

System Management Bus Protocol

6.10.16 Ext(n) Therm Limit Register (Addresses 19h, 1ah, 30h and 38h)

Name: EXT_n THERM LIMIT
Offset: 0x19, 0x1a, 0x30, 0x38

| | | | | | | | | |
|--------|----------------|----|----|----|----|----|----|----|
| Bit | 7 | 6 | 5 | 4 | 3 | 2 | 1 | 0 |
| | EXT(N)THL[7:0] | | | | | | | |
| Access | RW | RW | RW | RW | RW | RW | RW | RW |
| Reset | 0 | 0 | 0 | 0 | 0 | 0 | 0 | 0 |

Bits 7:0 – EXT(N)THL[7:0] External Diode n $\overline{\text{THERM}}$ Limits, where n = 1 to 4.

Multi-Channel Low-Voltage Remote Di... System Management Bus Protocol

6.10.17 Internal Diode Therm Limit Register (Address 20h)

Name: INT DIODE THERM LIMIT
Offset: 0x20

| Bit | 7 | 6 | 5 | 4 | 3 | 2 | 1 | 0 |
|--------|------------|----|----|----|----|----|----|----|
| | IDTHL[7:0] | | | | | | | |
| Access | RW | RW | RW | RW | RW | RW | RW | RW |
| Reset | 0 | 0 | 0 | 0 | 0 | 0 | 0 | 0 |

Bits 7:0 – IDTHL[7:0] Internal Diode $\overline{\text{THERM}}$ Limits.

Multi-Channel Low-Voltage Remote Di...

System Management Bus Protocol

6.10.18 Therm Limit Hysteresis Register (Address 21h)

Name: THRM HYS
Offset: 0x21

| Bit | 7 | 6 | 5 | 4 | 3 | 2 | 1 | 0 |
|--------|------------|----|----|----|----|----|----|----|
| | THRMH[7:0] | | | | | | | |
| Access | RW | RW | RW | RW | RW | RW | RW | RW |
| Reset | 0 | 0 | 0 | 0 | 1 | 0 | 1 | 0 |

Bits 7:0 – THRMH[7:0] I THERM Limit hysteresis.

Multi-Channel Low-Voltage Remote Di...

System Management Bus Protocol

6.10.19 External Diode Fault Status Register (Address 1bh)

Name: EXTERNAL DIODE FAULT STATUS
Offset: 0x1B

Note: The External Diode Fault register indicates which of the external diodes caused the FAULT bit in the STATUS register to be set. This register is cleared when it is read.

| | | | | | | | | |
|--------|---|---|---|-------|-------|-------|-------|---|
| Bit | 7 | 6 | 5 | 4 | 3 | 2 | 1 | 0 |
| | | | | E4FLT | E3FLT | E2FLT | E1FLT | |
| Access | | | | RC | RC | RC | RC | |
| Reset | | | | 0 | 0 | 0 | 0 | |

Bit 4 – E4FLT This bit is set if the External Diode 4 channel reported a Diode Fault.

| Value | Description |
|-------|-------------------------------|
| 1 | Diode Fault condition present |
| 0 | No Diode Fault present |

Bit 3 – E3FLT This bit is set if the External Diode 3 channel reported a Diode Fault.

| Value | Description |
|-------|-------------------------------|
| 1 | Diode Fault condition present |
| 0 | No Diode Fault present |

Bit 2 – E2FLT This bit is set if the External Diode 2 channel reported a Diode Fault.

| Value | Description |
|-------|-------------------------------|
| 1 | Diode Fault condition present |
| 0 | No Diode Fault present |

Bit 1 – E1FLT This bit is set if the External Diode 1 channel reported a Diode Fault.

| Value | Description |
|-------|-------------------------------|
| 1 | Diode Fault condition present |
| 0 | No Diode Fault present |

Multi-Channel Low-Voltage Remote Di... System Management Bus Protocol

6.10.20 Diode Fault Mask Register (Address 1Fh)

Name: DIODE FAULT MASK
Offset: 0x1F

Note: The Channel Mask register controls individual channel masking. When a channel is masked, the $\overline{\text{ALERT}}$ pin will not be asserted when the masked channel reads a Diode Fault or out-of-limit error. The channel mask does not mask the $\overline{\text{THERM}}$ pin.

| Bit | 7 | 6 | 5 | 4 | 3 | 2 | 1 | 0 |
|--------|---|---|---|--------|--------|--------|--------|---------|
| | | | | E4MASK | E3MASK | E2MASK | E1MASK | INTMASK |
| Access | | | | RW | RW | RW | RW | RW |
| Reset | | | | 0 | 0 | 0 | 0 | 0 |

Bit 4 – E4MASK Masks the ALERT pin from asserting when the External Diode 4 channel is out-of-limit or reports a Diode Fault.

| Value | Description |
|-------|---|
| 1 | The External Diode 4 channel will not cause the $\overline{\text{ALERT}}$ pin to be asserted if it is out-of-limit or reports a Diode Fault |
| 0 | The External Diode 4 channel will cause the $\overline{\text{ALERT}}$ pin to be asserted if it is out-of-limit or reports a Diode Fault |

Bit 3 – E3MASK Masks the ALERT pin from asserting when the External Diode 3 channel is out-of-limit or reports a Diode Fault.

| Value | Description |
|-------|---|
| 1 | The External Diode 3 channel will not cause the $\overline{\text{ALERT}}$ pin to be asserted if it is out-of-limit or reports a Diode Fault |
| 0 | The External Diode 3 channel will cause the $\overline{\text{ALERT}}$ pin to be asserted if it is out-of-limit or reports a Diode Fault |

Bit 2 – E2MASK Masks the ALERT pin from asserting when the External Diode 2 channel is out-of-limit or reports a Diode Fault.

| Value | Description |
|-------|---|
| 1 | The External Diode 2 channel will not cause the $\overline{\text{ALERT}}$ pin to be asserted if it is out-of-limit or reports a Diode Fault |
| 0 | The External Diode 2 channel will cause the $\overline{\text{ALERT}}$ pin to be asserted if it is out-of-limit or reports a Diode Fault |

Bit 1 – E1MASK Masks the ALERT pin from asserting when the External Diode 1 channel is out-of-limit or reports a Diode Fault.

| Value | Description |
|-------|---|
| 1 | The External Diode 1 channel will not cause the $\overline{\text{ALERT}}$ pin to be asserted if it is out-of-limit or reports a Diode Fault |
| 0 | The External Diode 1 channel will cause the $\overline{\text{ALERT}}$ pin to be asserted if it is out-of-limit or reports a Diode Fault |

Multi-Channel Low-Voltage Remote Di...

System Management Bus Protocol

Bit 0 – INTMASK Masks the ALERT pin from asserting when the Internal Diode temperature is out-of-limit.

| Value | Description |
|-------|--|
| 1 | The Internal Diode channel will not cause the $\overline{\text{ALERT}}$ pin to be asserted if it is out-of-limit |
| 0 | The Internal Diode channel will cause the $\overline{\text{ALERT}}$ pin to be asserted if it is out-of-limit |

Multi-Channel Low-Voltage Remote Di...

System Management Bus Protocol

6.10.21 Consecutive Alert Register (Address 22h)

Name: CONSEC ALERT
Offset: 0x22

| | 7 | 6 | 5 | 4 | 3 | 2 | 1 | 0 |
|--------|-------|------------|----|----|------------|----|----|---|
| | TMOUT | CTHRM[2:0] | | | CALRT[2:0] | | | |
| Access | RW | RW | RW | RW | RW | RW | RW | |
| Reset | 0 | 1 | 1 | 1 | 0 | 0 | 0 | |

Bit 7 – TMOUT Enables the time-out and idle functionality of the I²C protocol.

| Value | Description |
|-------|---|
| 1 | The I ² C time-out and idle functionality are enabled. The I ² C interface will time-out if the clock line is held low for longer than 30 ms. Likewise, it will reset if both the data and clock lines are held high for longer than 200 μs. |
| 0 | The I ² C time-out and idle functionality are disabled. The I ² C interface will not time-out if the clock line is held low for longer than 30 ms. Likewise, it will not reset if both the data and clock lines are held high for longer than 200 μs. This is used for I ² C compliance. |

Bits 6:4 – CTHRM[2:0] Determines the number of consecutive measurements that must exceed the corresponding Therm Limit before the $\overline{\text{THERM}}$ pin is asserted.

| Value | Description |
|-------|-------------|
| 000 | 1 |
| 001 | 2 |
| 011 | 3 |
| 111 | 4 |

Bits 3:1 – CALRT[2:0] Determines the number of consecutive measurements that must exceed the corresponding Therm Limit before the $\overline{\text{ALERT}}$ pin is asserted.

| Value | Description |
|-------|-------------|
| 000 | 1 |
| 001 | 2 |
| 011 | 3 |
| 111 | 4 |

Multi-Channel Low-Voltage Remote Di... System Management Bus Protocol

6.10.22 Ext(n) Beta Compensation Configuration Register (Address 25h and 26h)

Name: EXTn BETA CONFIG
Offset: 0x25, 0x26

| Bit | 7 | 6 | 5 | 4 | 3 | 2 | 1 | 0 |
|--------|---|---|---|---------|--------------|----|----|----|
| | | | | ENBL(N) | BETA(N)[3:0] | | | |
| Access | | | | RW | RO | RO | RO | RO |
| Reset | | | | 0 | 0 | 0 | 0 | 0 |

Bit 4 – ENBL(N) Enables the Beta Compensation factor auto-detection function. X = 1 or 2, depending on the device.

| Value | Description |
|-------|--|
| 1 | Auto-Beta detection for External Diode x is enabled |
| 0 | Auto-Beta detection for External Diode x is disabled |

Bits 3:0 – BETA(N)[3:0] These bits always reflect the current beta configuration settings. If auto-detection circuitry is enabled, these bits will be updated automatically and writing to these bits will have no effect. See [Table 5-6](#) for details.

Multi-Channel Low-Voltage Remote Di...

System Management Bus Protocol

6.10.23 Ext (n) Programmable Ideality Factor Register (Address 27h, 28h, 31h and 39h)

Name: EXT_n IDEALITY FACTOR
Offset: 0x27, 0x28, 0x31, 0x39

| Bit | 7 | 6 | 5 | 4 | 3 | 2 | 1 | 0 |
|--------|---|---|---------------|----|----|----|----|----|
| | | | IDEAL(N)[5:0] | | | | | |
| Access | | | RW | RW | RW | RW | RW | RW |
| Reset | | | 0 | 1 | 0 | 0 | 1 | 0 |

Bits 5:0 – IDEAL(N)[5:0] External Diode n Ideality factor, where n = 1 to 4 depending on device.
 See [Table 5-7](#) or [Table 5-8](#) for details.

Multi-Channel Low-Voltage Remote Di...

System Management Bus Protocol

6.10.24 High Limit Status Register (Address 3Ah)

Name: HIGH LIMIT STATUS
Offset: 0x3A

| | 7 | 6 | 5 | 4 | 3 | 2 | 1 | 0 |
|--------|---|---|---|--------|--------|--------|--------|-------|
| Bit | | | | E4HIGH | E3HIGH | E2HIGH | E1HIGH | IHIGH |
| Access | | | | RC | RC | RC | RC | RC |
| Reset | | | | 0 | 0 | 0 | 0 | 0 |

Bit 4 – E4HIGH

This bit is set when the External Diode 4 exceeds its programmed high limit. Reading this register will also clear the HIGH bit.

| Value | Description |
|-------|-------------------------|
| 1 | High limit exceeded |
| 0 | High limit not exceeded |

Bit 3 – E3HIGH

This bit is set when the External Diode 3 exceeds its programmed high limit. Reading this register will also clear the HIGH bit.

| Value | Description |
|-------|-------------------------|
| 1 | High limit exceeded |
| 0 | High limit not exceeded |

Bit 2 – E2HIGH This bit is set when the External Diode 2 exceeds its programmed high limit. Reading this register will also clear the HIGH bit.

| Value | Description |
|-------|-------------------------|
| 1 | High limit exceeded |
| 0 | High limit not exceeded |

Bit 1 – E1HIGH This bit is set when the External Diode 1 exceeds its programmed high limit. Reading this register will also clear the HIGH bit.

| Value | Description |
|-------|-------------------------|
| 1 | High limit exceeded |
| 0 | High limit not exceeded |

Bit 0 – IHIGH This bit is set when the Internal Diode exceeds its programmed high limit. Reading this register will also clear the HIGH bit.

| Value | Description |
|-------|-------------------------|
| 1 | High limit exceeded |
| 0 | High limit not exceeded |

Multi-Channel Low-Voltage Remote Di... System Management Bus Protocol

6.10.25 Low Limit Status Register (Address 3Bh)

Name: LOW LIMIT STATUS
Offset: 0x3B

| Bit | 7 | 6 | 5 | 4 | 3 | 2 | 1 | 0 |
|--------|---|---|---|-------|-------|-------|-------|------|
| | | | | E4LOW | E3LOW | E2LOW | E1LOW | ILOW |
| Access | | | | RC | RC | RC | RC | RC |
| Reset | | | | 0 | 0 | 0 | 0 | 0 |

Bit 4 – E4LOW This bit is set when the External Diode 4 channel drops below its programmed low limit. Reading from the register will also clear the LOW Status bit in the STATUS register.

| Value | Description |
|-------|------------------------|
| 1 | Low limit exceeded |
| 0 | Low limit not exceeded |

Bit 3 – E3LOW This bit is set when the External Diode 3 channel drops below its programmed low limit. Reading from the register will also clear the LOW Status bit in the STATUS register.

| Value | Description |
|-------|------------------------|
| 1 | Low limit exceeded |
| 0 | Low limit not exceeded |

Bit 2 – E2LOW This bit is set when the External Diode 2 drops below its programmed low limit. Reading this register will also clear the LOW bit.

| Value | Description |
|-------|------------------------|
| 1 | Low limit exceeded |
| 0 | Low limit not exceeded |

Bit 1 – E1LOW This bit is set when the External Diode 1 drops below its programmed low limit. Reading this register will also clear the LOW bit.

| Value | Description |
|-------|------------------------|
| 1 | Low limit exceeded |
| 0 | Low limit not exceeded |

Bit 0 – ILOW This bit is set when the Internal Diode drops below its programmed low limit. Reading this register will also clear the LOW bit.

| Value | Description |
|-------|------------------------|
| 1 | Low limit exceeded |
| 0 | Low limit not exceeded |

6.10.26 Therm High Limit Status Register (Address 3Ch)

Name: THERM LIMIT STATUS
Offset: 0x3C

Note: The Therm Limit Status register contains the Status bits that are set when a temperature channel Therm Limit is exceeded. If any of these bits are set, the $\overline{\text{THERM}}$ Status bit in the STATUS register is set. Reading from the Therm Limit Status register will not clear the Status bits. Once the temperature drops below the Therm Limit minus the Therm Hysteresis, the corresponding Status bits will be automatically cleared. The $\overline{\text{THERM}}$ bit in the STATUS register will be cleared when all individual channel THERM bits are cleared.

| Bit | 7 | 6 | 5 | 4 | 3 | 2 | 1 | 0 |
|--------|---|---|---|---------|---------|---------|---------|--------|
| | | | | E4THERM | E3THERM | E2THERM | E1THERM | ITHERM |
| Access | | | | RO | RO | RO | RO | RO |
| Reset | | | | 0 | 0 | 0 | 0 | 0 |

Bit 4 – E4THERM

This bit is set when the External Diode 4 channel exceeds its programmed Therm Limit. When set, this bit will assert the $\overline{\text{THERM}}$ pin.

| Value | Description |
|-------|--|
| 1 | $\overline{\text{THERM}}$ pin asserted |
| 0 | $\overline{\text{THERM}}$ pin not asserted |

Bit 3 – E3THERM

This bit is set when the External Diode 3 channel exceeds its programmed Therm Limit. When set, this bit will assert the $\overline{\text{THERM}}$ pin.

| Value | Description |
|-------|--|
| 1 | $\overline{\text{THERM}}$ pin asserted |
| 0 | $\overline{\text{THERM}}$ pin not asserted |

Bit 2 – E2THERM

This bit is set when the External Diode 2 channel exceeds its programmed Therm Limit. When set, this bit will assert the $\overline{\text{THERM}}$ pin.

| Value | Description |
|-------|--|
| 1 | $\overline{\text{THERM}}$ pin asserted |
| 0 | $\overline{\text{THERM}}$ pin not asserted |

Bit 1 – E1THERM

This bit is set when the External Diode 1 channel exceeds its programmed Therm Limit. When set, this bit will assert the $\overline{\text{THERM}}$ pin.

| Value | Description |
|-------|--|
| 1 | $\overline{\text{THERM}}$ pin asserted |
| 0 | $\overline{\text{THERM}}$ pin not asserted |

Multi-Channel Low-Voltage Remote Di...

System Management Bus Protocol

Bit 0 – I THERM

This bit is set when the Internal Diode channel exceeds its programmed Therm Limit. When set, this bit will assert the $\overline{\text{THERM}}$ pin.

| Value | Description |
|-------|--|
| 1 | $\overline{\text{THERM}}$ pin asserted |
| 0 | $\overline{\text{THERM}}$ pin not asserted |

Multi-Channel Low-Voltage Remote Di...

System Management Bus Protocol

6.10.27 Rate Of Change Gain Register (Address 3Dh)

Name: ROC GAIN
Offset: 0x3D

| | | | | | | | | |
|--------|-----------|----|----|----|----|----|----|----|
| Bit | 7 | 6 | 5 | 4 | 3 | 2 | 1 | 0 |
| | RC1G[7:0] | | | | | | | |
| Access | RW | RW | RW | RW | RW | RW | RW | RW |
| Reset | 0 | 0 | 0 | 0 | 0 | 0 | 0 | 0 |

Bits 5:3 – RC2/3G[2:0] This represents the binary gain applied to the difference equation.

| Value | Description |
|-------|-------------|
| 0 | 1 |
| 1 | 2 |
| 2 | 4 |
| 3 | 8 |
| 4 | 16 |
| 5 | 32 |
| 6 | 64 |
| 7 | 128 |

Bits 7:0 – RC1G[7:0] This represents the binary gain applied to the difference equation.

| Value | Description |
|-------|-------------|
| 0 | 1 |
| 1 | 2 |
| 2 | 4 |
| 3 | 8 |
| 4 | 16 |
| 5 | 32 |
| 6 | 64 |
| 7 | 128 |

Multi-Channel Low-Voltage Remote Di...

System Management Bus Protocol

6.10.28 Rate Of Change Configuration Register (Address 3Eh)

Name: ROC CONFIG
Offset: 0x3E

| | 7 | 6 | 5 | 4 | 3 | 2 | 1 | 0 |
|--------|---|---|--------|---------|-------|-----------|----|----|
| | | | EN_ROC | MASK2/3 | MASK1 | RCHY[2:0] | | |
| Access | | | RW | RW | RW | RW | RW | RW |
| Reset | | | 0 | 0 | 0 | 0 | 0 | 0 |

Bit 5 – EN_ROC Enables the Rate of Change calculations.

| Value | Description |
|-------|-------------------------|
| 1 | Rate of Change enabled |
| 0 | Rate of Change disabled |

Bit 4 – MASK2/3

Masks an event from setting the $\overline{\text{ALERT}}$ pin from Channel 2.

| Value | Description |
|-------|---|
| 1 | Event is masked |
| 0 | Event will assert the $\overline{\text{ALERT}}$ pin |

Bit 3 – MASK1

Masks an event from setting the $\overline{\text{ALERT}}$ pin Channel 1.

| Value | Description |
|-------|---|
| 1 | Event is masked |
| 0 | Event will assert the $\overline{\text{ALERT}}$ pin |

Bits 2:0 – RCHY[2:0] Hysteresis setting for Rate of Change Slope reversal. Deviations greater than this setting will result in the bit being set.

| Value | Description |
|-------|-------------|
| 111 | 4.000 °C |
| 110 | 3.000 °C |
| 101 | 2.000 °C |
| 100 | 1.000 °C |
| 011 | 0.500 °C |
| 010 | 0.250 °C |
| 001 | 0.125 °C |
| 000 | 0.000 °C |

Multi-Channel Low-Voltage Remote Di... System Management Bus Protocol

6.10.29 Rate Of Change Status Register (Address 3Fh)

Name: ROC STATUS
Offset: 0x3F

| Bit | 7 | 6 | 5 | 4 | 3 | 2 | 1 | 0 |
|--------|---------|-------|---------|-------|---------|-------|---------|-------|
| | SLCG2/3 | SLCG1 | R2/3ODD | R1ODD | RC2/3HI | RC1HI | RC2/3LO | RC1LO |
| Access | RO | RO | RO | RO | RC | RC | RC | RC |
| Reset | 0 | 0 | 0 | 0 | 0 | 0 | 0 | 0 |

Bit 7 – SLCG2/3 Reports a change in slope during the Rate of Change calculation for External Channel 2.

| Value | Description |
|-------|-------------------------|
| 1 | Slope changed direction |
| 0 | Monotonic slope |

Bit 6 – SLCG1 Reports a change in slope during the Rate of Change calculation for External Channel 1.

| Value | Description |
|-------|-------------------------|
| 1 | Slope changed direction |
| 0 | Monotonic slope |

Bit 5 – R2/3ODD Indicates whether the number of slope reversals was even or odd.

| Value | Description |
|-------|--|
| 1 | Odd number of slope reversals during the sampling period |
| 0 | Even number of reversals during the sampling period |

Bit 4 – R1ODD Indicates whether the number of slope reversals was even or odd.

| Value | Description |
|-------|--|
| 1 | Odd number of slope reversals during the sampling period |
| 0 | Even number of reversals during the sampling period |

Bit 3 – RC2/3HI This bit is set when the Rate of Change Results for External Diode 2 exceeds its programmed limit.

| Value | Description |
|-------|-------------------------|
| 1 | High limit exceeded |
| 0 | High limit not exceeded |

Bit 2 – RC1HI This bit is set when the Rate of Change Results for External Diode 1 exceeds its programmed limit.

| Value | Description |
|-------|-------------------------|
| 1 | High limit exceeded |
| 0 | High limit not exceeded |

Multi-Channel Low-Voltage Remote Di...

System Management Bus Protocol

Bit 1 – RC2/3LO This bit is set when the Rate of Change Results for External Diode 2 exceeds its programmed limit (applies when slope limit is negative).

| Value | Description |
|-------|------------------------|
| 1 | Low limit exceeded |
| 0 | Low limit not exceeded |

Bit 0 – RC1LO This bit is set when the Rate of Change Results for External Diode 1 exceeds its programmed limit (applies when slope limit is negative).

| Value | Description |
|-------|------------------------|
| 1 | Low limit exceeded |
| 0 | Low limit not exceeded |

Multi-Channel Low-Voltage Remote Di...

System Management Bus Protocol

6.10.30 Rate Of Change Results High Byte Register (n) (Addresses 40h and 44h)

Name: R RESH
Offset: 0x40 + n*0x04 [n=0..1]

| Bit | 7 | 6 | 5 | 4 | 3 | 2 | 1 | 0 |
|--------|-------------|----|----|----|----|----|----|----|
| | R(N)RH[7:0] | | | | | | | |
| Access | RO | RO | RO | RO | RO | RO | RO | RO |
| Reset | 0 | 0 | 0 | 0 | 0 | 0 | 0 | 0 |

Bits 7:0 – R(N)RH[7:0] This is the high byte of the result of the most recent Rate of Change calculations where N = 1 or 2 corresponding to the remote diode channel.

Multi-Channel Low-Voltage Remote Di... System Management Bus Protocol

6.10.31 Rate Of Change Results Low Byte Register (Address 45h)

Name: R2/3 RESL
Offset: 0x45

| Bit | 7 | 6 | 5 | 4 | 3 | 2 | 1 | 0 |
|--------|--------------|----|----|----|------------|----|----|----|
| | R2/3_RL[3:0] | | | | R1_RL[3:0] | | | |
| Access | RO | RO | RO | RO | RO | RO | RO | RO |
| Reset | 0 | 0 | 0 | 0 | 0 | 0 | 0 | 0 |

Bits 7:4 – R2/3_RL[3:0] This is the low byte of the result of the most recent Rate of Change calculations for remote diode channel 2.

Bits 3:0 – R1_RL[3:0] This is the low byte of the result of the most recent Rate of Change calculations for remote diode channel 1.

Multi-Channel Low-Voltage Remote Di...

System Management Bus Protocol

6.10.32 Rate Of Change Alert Limit High Byte Register (n) (Address 41h and 46h)

Name: R LIMH
Offset: 0x41 + n*0x05 [n=0..1]

| | | | | | | | | |
|--------|---------------|----|----|----|----|----|----|----|
| Bit | 7 | 6 | 5 | 4 | 3 | 2 | 1 | 0 |
| | R(N)LIMH[7:0] | | | | | | | |
| Access | RW | RW | RW | RW | RW | RW | RW | RW |
| Reset | 0 | 0 | 0 | 0 | 0 | 0 | 0 | 0 |

Bits 7:0 – R(N)LIMH[7:0]

This is the high byte ROC ALERT limit. If the ROC results exceed this value and the MASK bit is not set, the ALERT pin will assert, where N = 1 or 2 corresponding to the remote diode channel.

Multi-Channel Low-Voltage Remote Di...

System Management Bus Protocol

6.10.33 Rate Of Change Alert Limit Low Byte Register (n) (Address 42h and 47h)

Name: R LIML
Offset: 0x42 + n*0x05 [n=0..1]

| | | | | | | | | |
|--------|---------------|----|----|----|---|---|---|---|
| Bit | 7 | 6 | 5 | 4 | 3 | 2 | 1 | 0 |
| | R(N)LIML[3:0] | | | | | | | |
| Access | RW | RW | RW | RW | | | | |
| Reset | 0 | 0 | 0 | 0 | | | | |

Bits 7:4 – R(N)LIML[3:0] This is the low byte ROC ALERT limit, where N = 1 or 2 corresponding to the remote diode channel.

Multi-Channel Low-Voltage Remote Di...

System Management Bus Protocol

6.10.34 Rate Of Change Samples Register (Address 43h and 48h)

Name: R SMPL
Offset: 0x43 + n*0x05 [n=0..1]

| | | | | | | | | |
|--------|---|---|---|---|-------------|----|----|----|
| | 7 | 6 | 5 | 4 | 3 | 2 | 1 | 0 |
| | | | | | R(N)SH[3:0] | | | |
| Access | | | | | RW | RW | RW | RW |
| Reset | | | | | 0 | 0 | 0 | 0 |

Bits 3:0 – R(N)SH[3:0] This represents the high byte of the number of samples taken for the Rate of Change calculation, where N = 1 or 2 corresponding to the remote diode channel.

| Value | Description |
|---------|-------------|
| 0x0 | 2 Samples |
| 0x1 | 3 Samples |
| 0x2 | 5 Samples |
| 0x3 | 9 Samples |
| 0x4 | 17 Samples |
| 0x5 | 33 Samples |
| 0x6 | 65 Samples |
| 0x7 | 129 Samples |
| 0x8–0xF | 257 Samples |

Multi-Channel Low-Voltage Remote Di... System Management Bus Protocol

6.10.35 Sample Period Max Temperature High Byte Data Register (Address 49h and 4Bh)

Name: PER MAXTH
Offset: 0x49 + n*0x02 [n=0..1]

| | | | | | | | | |
|--------|--------------|----|----|----|----|----|----|----|
| Bit | 7 | 6 | 5 | 4 | 3 | 2 | 1 | 0 |
| | GM(N)HB[7:0] | | | | | | | |
| Access | RO | RO | RO | RO | RO | RO | RO | RO |
| Reset | 0 | 0 | 0 | 0 | 0 | 0 | 0 | 0 |

Bits 7:0 – GM(N)HB[7:0] Integer value of the internal diode maximum temperature reading within the sample period.

Multi-Channel Low-Voltage Remote Di...

System Management Bus Protocol

6.10.36 Sample Period Max Temperature Low Byte Data Register (Address 4Ah and 4Ch)

Name: PER MAXTL
Offset: 0x4A + n*0x02 [n=0..1]

| | | | | | | | | |
|--------|-------------|----|----|---|---|---|---|---|
| Bit | 7 | 6 | 5 | 4 | 3 | 2 | 1 | 0 |
| | PM(N)L[2:0] | | | | | | | |
| Access | RO | RO | RO | | | | | |
| Reset | 0 | 0 | 0 | | | | | |

Bits 7:5 – PM(N)L[2:0] Fractional portion of the Internal Diode Temperature to be added to the value at register 00h.

| Value | Description |
|-------|-------------|
| 111 | 0.875°C |
| 110 | 0.750°C |
| 101 | 0.625°C |
| 100 | 0.500°C |
| 011 | 0.375°C |
| 010 | 0.250°C |
| 001 | 0.125°C |
| 000 | 0.000°C |

Multi-Channel Low-Voltage Remote Di... System Management Bus Protocol

6.10.37 Global Max Temperature High Byte Register (Address 4Dh and 4Fh)

Name: GBL MAXTH
Offset: 0x4D + n*0x02 [n=0..1]

| Bit | 7 | 6 | 5 | 4 | 3 | 2 | 1 | 0 |
|--------|--------------|----|----|----|----|----|----|----|
| | GM(N)HB[7:0] | | | | | | | |
| Access | RO | RO | RO | RO | RO | RO | RO | RO |
| Reset | 0 | 0 | 0 | 0 | 0 | 0 | 0 | 0 |

Bits 7:0 – GM(N)HB[7:0] Integer value of the external diode N, maximum temperature reading within the sample period, where N = 1 or 2 corresponding to external diode 1 or 2.

Multi-Channel Low-Voltage Remote Di...

System Management Bus Protocol

6.10.38 Sample Period Max Temperature Low Byte Data Register (Address 4Eh and 50h)

Name: GBL MAXTL
Offset: 0x4E + n*0x02 [n=0..1]

| | | | | | | | | |
|--------|--------------|----|----|---|---|---|---|---|
| Bit | 7 | 6 | 5 | 4 | 3 | 2 | 1 | 0 |
| | GM(N)LB[2:0] | | | | | | | |
| Access | RO | RO | RO | | | | | |
| Reset | 0 | 0 | 0 | | | | | |

Bits 7:5 – GM(N)LB[2:0] Fractional portion of the External diode N, maximum temperature reading within the sample period, where N = 1 or 2 corresponding to external diode 1 or 2.

| Value | Description |
|-------|-------------|
| 111 | 0.875 °C |
| 110 | 0.750 °C |
| 101 | 0.625 °C |
| 100 | 0.500 °C |
| 011 | 0.375 °C |
| 010 | 0.250 °C |
| 001 | 0.125 °C |
| 000 | 0.000 °C |

Multi-Channel Low-Voltage Remote Di... System Management Bus Protocol

6.10.39 Filter Selection Register (Address 51h)

Name: FILTER SEL
Offset: 0x51

| Bit | 7 | 6 | 5 | 4 | 3 | 2 | 1 | 0 |
|--------|---|---|---|---|---|---|-------------|----|
| | | | | | | | FILTER[1:0] | |
| Access | | | | | | | RW | RW |
| Reset | | | | | | | 0 | 0 |

Bits 1:0 – FILTER[1:0] Control the level of digital filtering that is applied to the External Diode temperature measurement as shown in [Table 5-5](#).

Multi-Channel Low-Voltage Remote Di... System Management Bus Protocol

6.10.40 Hottest Diode Temperature High Byte Register (Address 6Ah)

Name: HOTTEST DIODE HIGH BYTE
Offset: 0x6A



Bits 7:0 – HDHB[7:0] Integer value of the hottest diode from the most recent samples.

Multi-Channel Low-Voltage Remote Di...

System Management Bus Protocol

6.10.41 Hottest Diode Temperature Low Byte Register (Address 6Bh)

Name: HOTTEST DIODE LOW BYTE
Offset: 0x6B

| | | | | | | | | |
|--------|-----------|----|----|---|---|---|---|---|
| Bit | 7 | 6 | 5 | 4 | 3 | 2 | 1 | 0 |
| | HDLB[2:0] | | | | | | | |
| Access | RO | RO | RO | | | | | |
| Reset | 0 | 0 | 0 | | | | | |

Bits 7:5 – HDLB[2:0] Fractional portion of the hottest diode for the most recent sample period.

| Value | Description |
|-------|-------------|
| 111 | 0.875 °C |
| 110 | 0.750 °C |
| 101 | 0.625 °C |
| 100 | 0.500 °C |
| 011 | 0.375 °C |
| 010 | 0.250 °C |
| 001 | 0.125 °C |
| 000 | 0.000 °C |

Multi-Channel Low-Voltage Remote Di...

System Management Bus Protocol

6.10.42 Hottest Diode Status Register (Address 6Ch)

Name: HOTTEST STATUS
Offset: 0x6C

| | | | | | | | | | |
|--------|-----|---|---|---|-------|-------|-------|-------|------|
| | Bit | 7 | 6 | 5 | 4 | 3 | 2 | 1 | 0 |
| | | | | | E4HOT | E3HOT | E2HOT | E1HOT | IHOT |
| Access | | | | | RO | RO | RO | RO | RO |
| Reset | | | | | 0 | 0 | 0 | 0 | 0 |

Bit 4 – E4HOT Indicates External Diode 4 is the hottest.

| Value | Description |
|-------|---------------------------------|
| 1 | External Diode 4 is hottest |
| 0 | External Diode 4 is not hottest |

Bit 3 – E3HOT Indicates External Diode 3 is the hottest.

| Value | Description |
|-------|---------------------------------|
| 1 | External Diode 3 is hottest |
| 0 | External Diode 3 is not hottest |

Bit 2 – E2HOT Indicates External Diode 2 is the hottest.

| Value | Description |
|-------|---------------------------------|
| 1 | External Diode 2 is hottest |
| 0 | External Diode 2 is not hottest |

Bit 1 – E1HOT Indicates External Diode 1 is the hottest.

| Value | Description |
|-------|---------------------------------|
| 1 | External Diode 1 is hottest |
| 0 | External Diode 1 is not hottest |

Bit 0 – IHOT Indicates Internal Diode is the hottest.

| Value | Description |
|-------|-------------------------------|
| 1 | Internal Diode is hottest |
| 0 | Internal Diode is not hottest |

Multi-Channel Low-Voltage Remote Di...

System Management Bus Protocol

6.10.43 Hottest Diode Configuration Register (Address 6Dh)

Name: HOTTEST CONFIG
Offset: 0x6D

| | 7 | 6 | 5 | 4 | 3 | 2 | 1 | 0 |
|--------|---|---|--------|-------|-------|-------|-------|------|
| | | | REMHOT | E4ENB | E3ENB | E2ENB | E1ENB | IENB |
| Access | | | RW | RW | RW | RW | RW | RW |
| Reset | | | 0 | 0 | 0 | 0 | 0 | 0 |

Bit 5 – REMHOT Enables the Remember Hottest function, so if the hottest diode changes, the ALERT pin is set.

| Value | Description |
|-------|------------------------------------|
| 1 | Remember hottest function enabled |
| 0 | Remember hottest function disabled |

Bit 4 – E4ENB Enables External Diode 4 for “Hottest of” comparisons.

| Value | Description |
|-------|---------------------------------|
| 1 | External Diode 4 is enabled |
| 0 | External Diode 4 is not enabled |

Bit 3 – E3ENB Enables External Diode 3 for “Hottest of” comparisons.

| Value | Description |
|-------|---------------------------------|
| 1 | External Diode 3 is enabled |
| 0 | External Diode 3 is not enabled |

Bit 2 – E2ENB Enables External Diode 2 for “Hottest of” comparisons.

| Value | Description |
|-------|---------------------------------|
| 1 | External Diode 2 is enabled |
| 0 | External Diode 2 is not enabled |

Bit 1 – E1ENB Enables External Diode 1 for “Hottest of” comparisons.

| Value | Description |
|-------|---------------------------------|
| 1 | External Diode 1 is enabled |
| 0 | External Diode 1 is not enabled |

Bit 0 – IENB Enables Internal Diode for “Hottest of” comparisons.

| Value | Description |
|-------|-------------------------------|
| 1 | Internal Diode is enabled |
| 0 | Internal Diode is not enabled |

Multi-Channel Low-Voltage Remote Di...

System Management Bus Protocol

6.10.44 Product ID Register (Address FDh)

Name: PRODUCT ID
Offset: 0xFD

| Bit | 7 | 6 | 5 | 4 | 3 | 2 | 1 | 0 |
|--------|-----------------|----|----|----|----|----|----|----|
| | PRODUCT_ID[7:0] | | | | | | | |
| Access | RO | RO | RO | RO | RO | RO | RO | RO |
| Reset | | | | | | | | |

Bits 7:0 – PRODUCT_ID[7:0] Unique Product ID.

| Value | Description |
|---------------|-------------|
| EMC1812-1/2/A | 0x81 |
| EMC1813-1/2/A | 0x87 |
| EMC1814-1/2/A | 0x84 |
| EMC1815-1/2/A | 0x85 |
| EMC1833-1/2/A | 0x83 |

Multi-Channel Low-Voltage Remote Di...

System Management Bus Protocol

6.10.45 Manufacturer ID Register (Address FEh)

Name: MANUFACTURER ID
Offset: 0xFE

| Bit | 7 | 6 | 5 | 4 | 3 | 2 | 1 | 0 |
|--------|--------------|----|----|----|----|----|----|----|
| | MCHP_ID[7:0] | | | | | | | |
| Access | RO | RO | RO | RO | RO | RO | RO | RO |
| Reset | 0 | 1 | 0 | 1 | 0 | 1 | 0 | 0 |

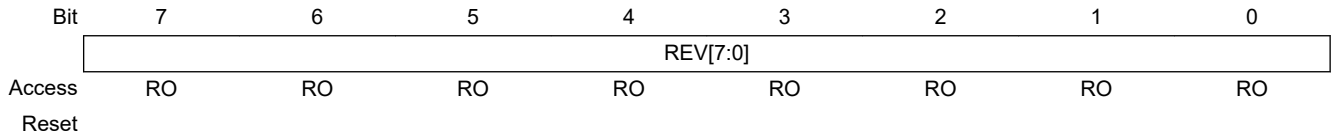
Bits 7:0 – MCHP_ID[7:0] Unique manufacturer ID for Microchip.

Multi-Channel Low-Voltage Remote Di...

System Management Bus Protocol

6.10.46 Revision - Revision Register (Address FFh)

Name: REVISION
Offset: 0xFF

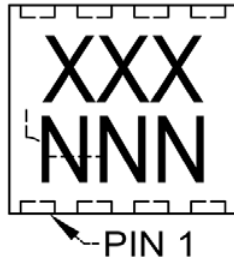


Bits 7:0 – REV[7:0] DIE revision number.

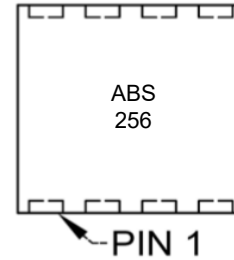
7. Packaging Information

7.1 Package Marking Information

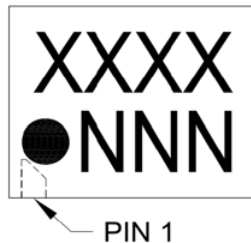
8-Lead WDFN (2 x 2 mm)



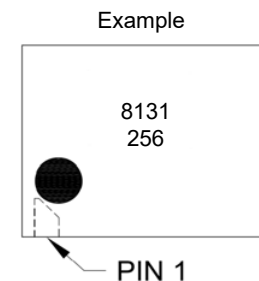
| Product Number | Code |
|----------------|------|
| EMC1812T-1E/RW | ABS |
| EMC1812T-2E/RW | ABT |
| EMC1812T-AE/RW | ABU |
| EMC1833T-1E/RW | ABY |
| EMC1833T-2E/RW | ABZ |
| EMC1833T-AE/RW | ACA |



10-Lead VDFN (2.5 x 2.0 mm)



| Product Number | Code |
|----------------|------|
| EMC1813T-1E/9R | 8131 |
| EMC1813T-2E/9R | 8132 |
| EMC1813T-AE/9R | 813A |
| EMC1814T-1E/9R | 8141 |
| EMC1814T-2E/9R | 8142 |
| EMC1814T-AE/9R | 814A |
| EMC1815T-1E/9R | 8151 |
| EMC1815T-2E/9R | 8152 |
| EMC1815T-AE/9R | 815A |



Legend:

- XX...X** Customer-specific information
- Y** Year code (last digit of calendar year)
- YY** Year code (last 2 digits of calendar year)
- WW** Week code (week of January 1 is week '01')
- NNN** Alphanumeric traceability code
- e3** JEDEC® designator for Matte Tin (Sn)

* This package is RoHS compliant. The JEDEC designator (**e3**) can be found on the outer packaging for this package.

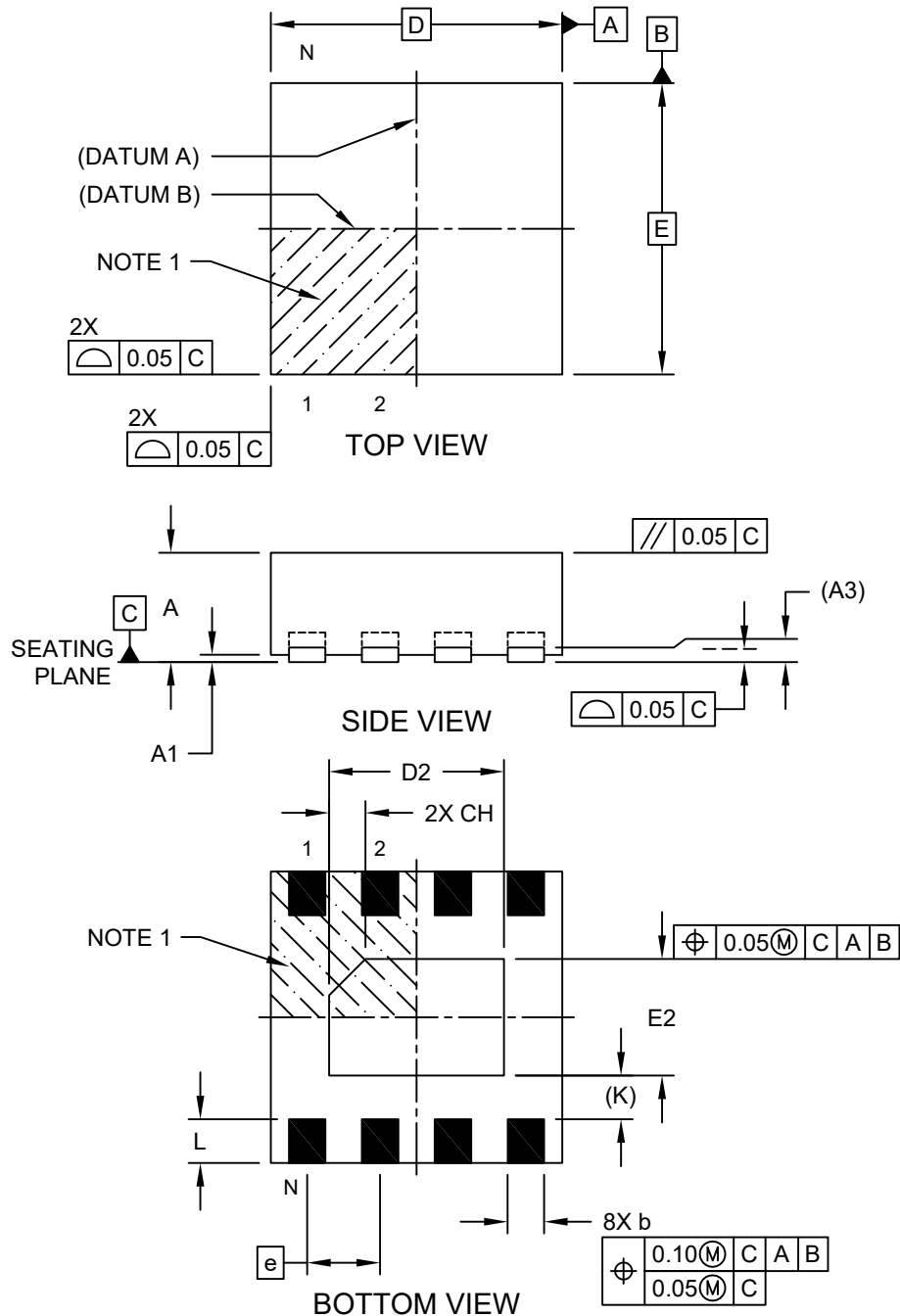
Note: In the event the full Microchip part number cannot be marked on one line, it will be carried over to the next line, thus limiting the number of available characters for customer-specific information.

Multi-Channel Low-Voltage Remote Di...

Packaging Information

8-Lead Very, Very Thin Plastic Dual Flat, No Lead Package (RW) - 2x2 mm Body [WDFN]

Note: For the most current package drawings, please see the Microchip Packaging Specification located at <http://www.microchip.com/packaging>



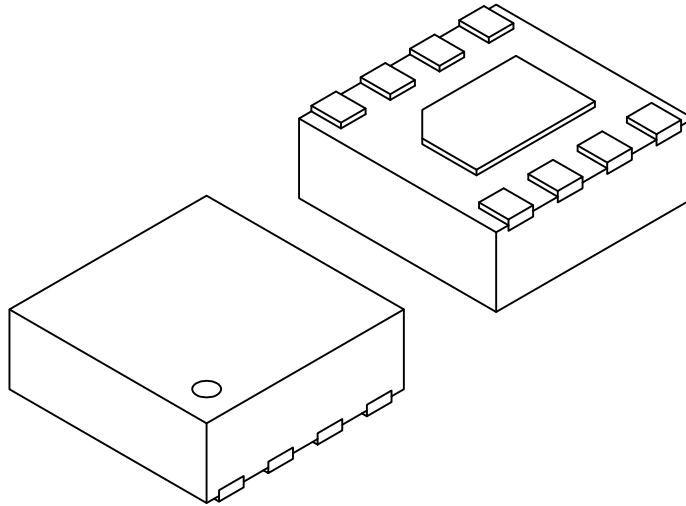
Microchip Technology Drawing C04-261A Sheet 1 of 2

Multi-Channel Low-Voltage Remote Di...

Packaging Information

8-Lead Very, Very Thin Plastic Dual Flat, No Lead Package (RW) - 2x2 mm Body [WDFN]

Note: For the most current package drawings, please see the Microchip Packaging Specification located at <http://www.microchip.com/packaging>



| Dimension Limits | Units | MILLIMETERS | | |
|-------------------------|-------|-------------|------|------|
| | | MIN | NOM | MAX |
| Number of Terminals | N | 8 | | |
| Pitch | e | 0.50 BSC | | |
| Overall Height | A | 0.70 | 0.75 | 0.80 |
| Standoff | A1 | 0.00 | 0.02 | 0.05 |
| Terminal Thickness | (A3) | 0.10 REF | | |
| Overall Width | E | 2.00 BSC | | |
| Exposed Pad Width | E2 | 0.70 | 0.80 | 0.90 |
| Overall Length | D | 2.00 BSC | | |
| Exposed Pad Length | D2 | 1.10 | 1.20 | 1.30 |
| Exposed Pad Chamfer | CH | - | 0.25 | - |
| Terminal Width | b | 0.20 | 0.25 | 0.30 |
| Terminal Length | L | 0.25 | 0.30 | 0.35 |
| Terminal-to-Exposed-Pad | (K) | 0.30 | - | - |

Notes:

1. Pin 1 visual index feature may vary, but must be located within the hatched area.
2. Package is saw singulated
3. Dimensioning and tolerancing per ASME Y14.5M
 - BSC: Basic Dimension. Theoretically exact value shown without tolerances.
 - REF: Reference Dimension, usually without tolerance, for information purposes only.

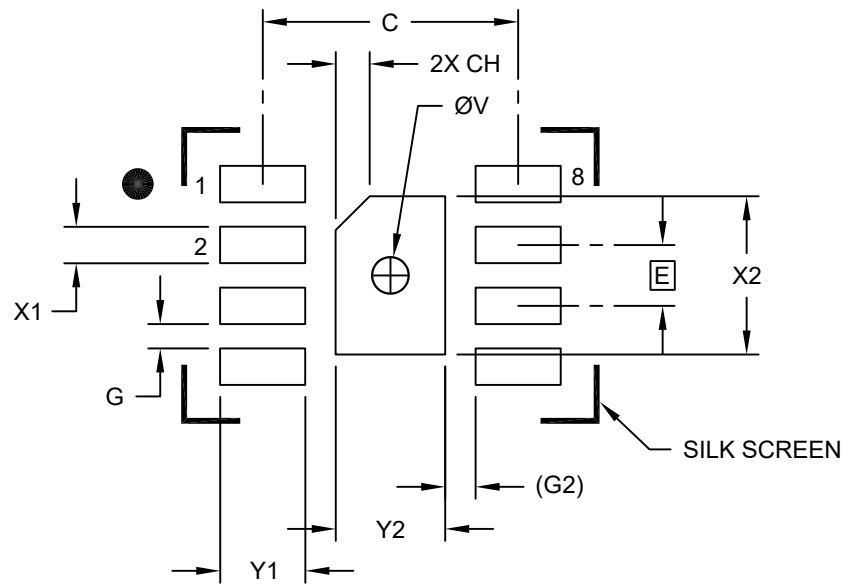
Microchip Technology Drawing C04-261A Sheet 2 of 2

Multi-Channel Low-Voltage Remote Di...

Packaging Information

8-Lead Very, Very Thin Plastic Dual Flat, No Lead Package (RW) - 2x2 mm Body [WDFN]

Note: For the most current package drawings, please see the Microchip Packaging Specification located at <http://www.microchip.com/packaging>



RECOMMENDED LAND PATTERN

| Units | | MILLIMETERS | | |
|---------------------------------|----|-------------|----------|------|
| | | MIN | NOM | MAX |
| Dimension Limits | | | | |
| Contact Pitch | E | 0.50 BSC | | |
| Optional Center Pad Width | Y2 | | | 0.90 |
| Optional Center Pad Length | X2 | | | 1.30 |
| Contact Pad Spacing | C | | 2.10 | |
| Center Pad Chamfer | CH | | 0.28 | |
| Contact Pad Width (X8) | X1 | | | 0.30 |
| Contact Pad Length (X8) | Y1 | | | 0.70 |
| Contact Pad to Contact Pad (X6) | G1 | 0.20 | | |
| Contact Pad to Center Pad (X8) | G1 | | 0.25 REF | |
| Thermal Via Diameter | V | | 0.30 | |

Notes:

1. Dimensioning and tolerancing per ASME Y14.5M
 - BSC: Basic Dimension. Theoretically exact value shown without tolerances.
 - REF: Reference Dimension, usually without tolerances, for reference only.

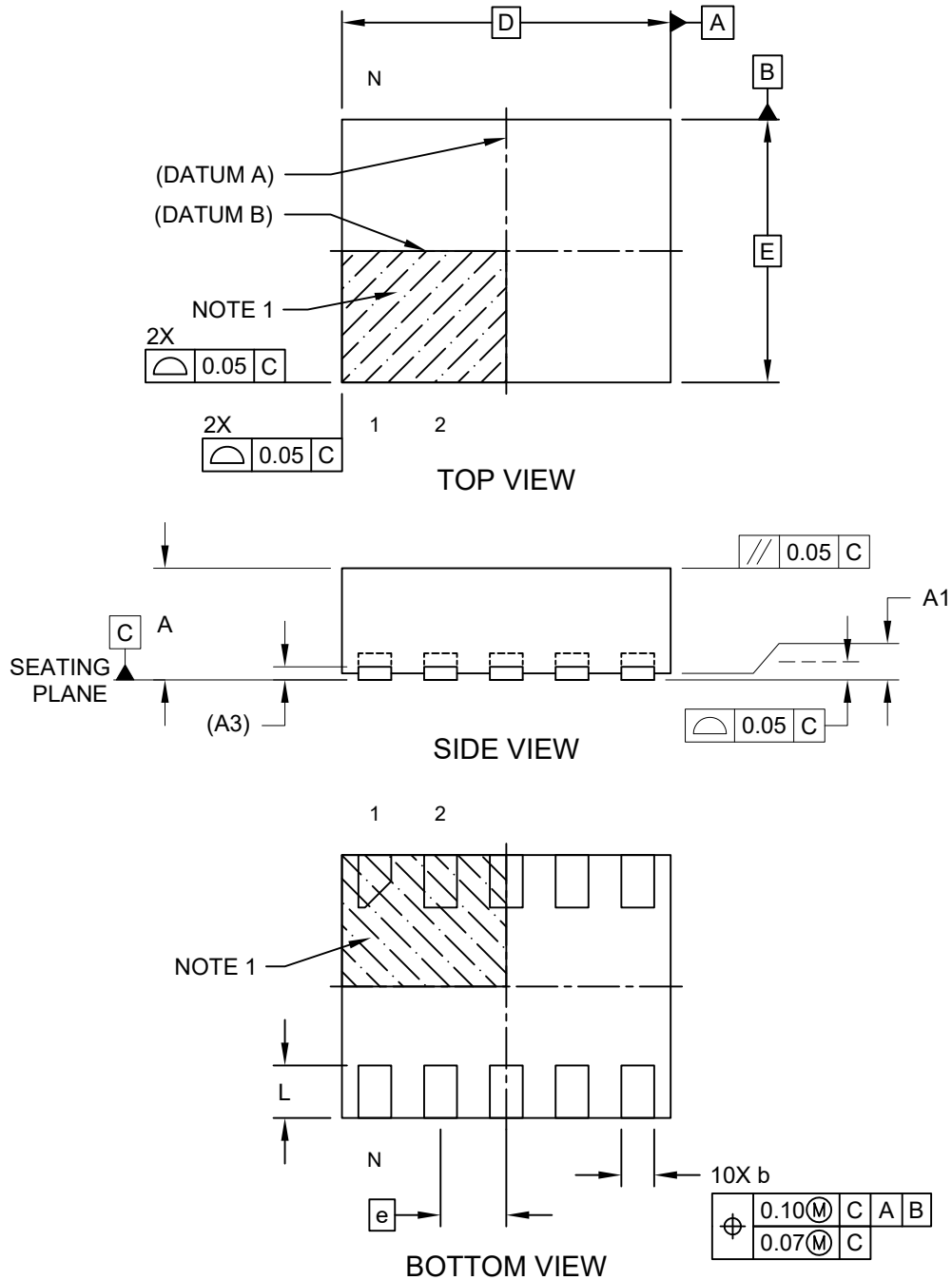
Microchip Technology Drawing C04-2261A

Multi-Channel Low-Voltage Remote Di...

Packaging Information

10-Lead Very Thin Plastic Dual Flat, No Lead Package (9R) - 2.5x2.0 mm Body [VDFN]

Note: For the most current package drawings, please see the Microchip Packaging Specification located at <http://www.microchip.com/packaging>



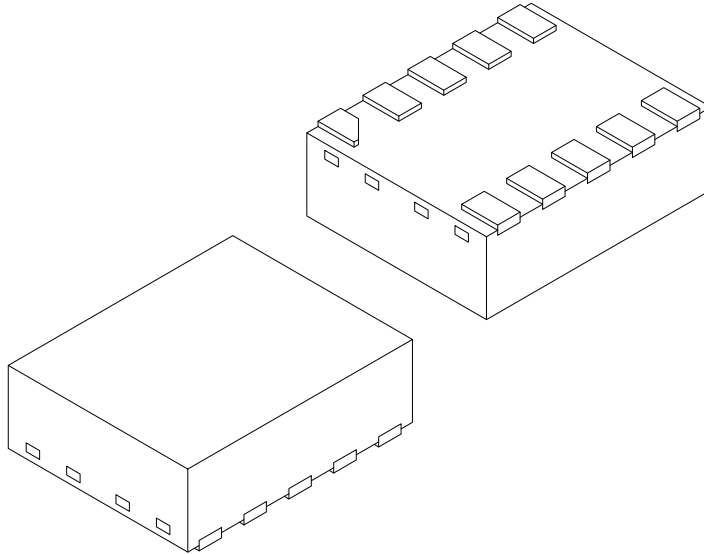
Microchip Technology Drawing C04-332B Sheet 1 of 2

Multi-Channel Low-Voltage Remote Di...

Packaging Information

10-Lead Very Thin Plastic Dual Flat, No Lead Package (9R) - 2.5x2.0 mm Body [VDFN]

Note: For the most current package drawings, please see the Microchip Packaging Specification located at <http://www.microchip.com/packaging>



| Units | | MILLIMETERS | | |
|--------------------|------|-------------|------|------|
| Dimension Limits | | MIN | NOM | MAX |
| Number of Pins | N | 10 | | |
| Pitch | e | 0.50 BSC | | |
| Overall Height | A | 0.80 | 0.85 | 0.90 |
| Standoff | A1 | 0.00 | 0.02 | 0.05 |
| Terminal Thickness | (A3) | 0.10 REF | | |
| Overall Length | D | 2.50 BSC | | |
| Overall Width | E | 2.00 BSC | | |
| Terminal Width | b | 0.20 | 0.25 | 0.30 |
| Terminal Length | L | 0.30 | 0.40 | 0.50 |

Notes:

1. Pin 1 visual index feature may vary, but must be located within the hatched area.
2. Package is saw singulated
3. Dimensioning and tolerancing per ASME Y14.5M
 - BSC: Basic Dimension. Theoretically exact value shown without tolerances.
 - REF: Reference Dimension, usually without tolerance, for information purposes only.

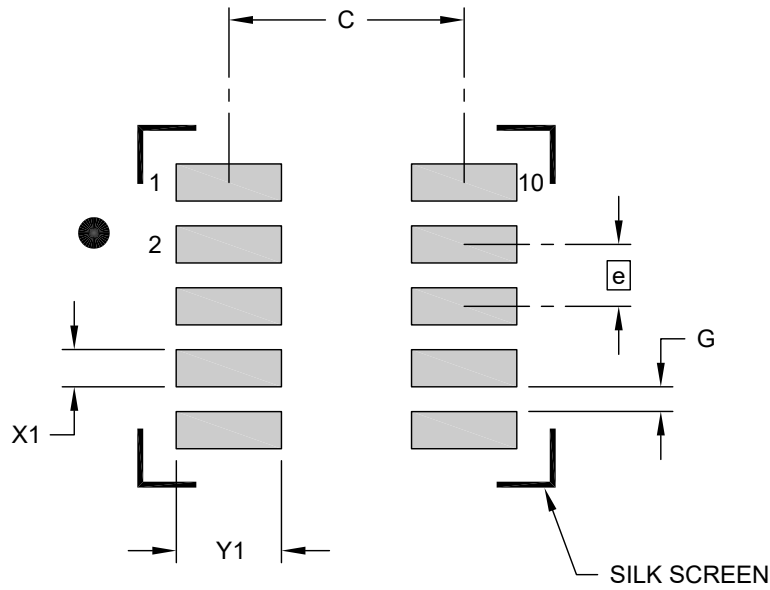
Microchip Technology Drawing C04-332B Sheet 2 of 2

Multi-Channel Low-Voltage Remote Di...

Packaging Information

10-Lead Very Thin Plastic Dual Flat, No Lead Package (9R) - 2.5x2.0 mm Body [VDFN]

Note: For the most current package drawings, please see the Microchip Packaging Specification located at <http://www.microchip.com/packaging>



RECOMMENDED LAND PATTERN

| Dimension Limits | Units | MILLIMETERS | | |
|---------------------------------|-------|-------------|------|------|
| | | MIN | NOM | MAX |
| Contact Pitch | E | 0.50 BSC | | |
| Contact Pad Spacing | C | | 1.90 | |
| Contact Pad Width (X10) | X1 | | | 0.30 |
| Contact Pad Length (X10) | Y1 | | | 0.85 |
| Contact Pad to Center Pad (X10) | G1 | 0.20 | | |

Notes:

1. Dimensioning and tolerancing per ASME Y14.5M

BSC: Basic Dimension. Theoretically exact value shown without tolerances.

Microchip Technology Drawing C04-2332A

8. Revision History

Revision A (October 2018)

Original release of the document.

Multi-Channel Low-Voltage Remote Diode Sensor Family

The Microchip Web Site

Microchip provides online support via our web site at <http://www.microchip.com/>. This web site is used as a means to make files and information easily available to customers. Accessible by using your favorite Internet browser, the web site contains the following information:

- **Product Support** – Data sheets and errata, application notes and sample programs, design resources, user's guides and hardware support documents, latest software releases and archived software
- **General Technical Support** – Frequently Asked Questions (FAQ), technical support requests, online discussion groups, Microchip consultant program member listing
- **Business of Microchip** – Product selector and ordering guides, latest Microchip press releases, listing of seminars and events, listings of Microchip sales offices, distributors and factory representatives

Customer Change Notification Service

Microchip's customer notification service helps keep customers current on Microchip products. Subscribers will receive e-mail notification whenever there are changes, updates, revisions or errata related to a specified product family or development tool of interest.

To register, access the Microchip web site at <http://www.microchip.com/>. Under "Support", click on "Customer Change Notification" and follow the registration instructions.

Customer Support

Users of Microchip products can receive assistance through several channels:

- Distributor or Representative
- Local Sales Office
- Field Application Engineer (FAE)
- Technical Support

Customers should contact their distributor, representative or Field Application Engineer (FAE) for support. Local sales offices are also available to help customers. A listing of sales offices and locations is included in the back of this document.

Technical support is available through the web site at: <http://www.microchip.com/support>

Multi-Channel Low-Voltage Remote Diode Sensor Family

Product Identification System

To order or obtain information, e.g., on pricing or delivery, refer to the factory or the listed sales office.

PART NO. **[X]⁽¹⁾** **X** **-X** **/XX**
 Device Tape SMBUS Temp. Package
 and Reel Address Range

| | | |
|-----------------------|---|--|
| Device: | EMC1812: High-Accuracy, Low-Cost, 2-wire Temperature Sensor EMC1813: High-Accuracy, Low-Cost, 2-wire Temperature Sensor EMC1814: High-Accuracy, Low-Cost, 2-wire Temperature Sensor EMC1815: High-Accuracy, Low-Cost, 2-wire Temperature Sensor EMC1833: High-Accuracy, Low-Cost, 2-wire Temperature Sensor | |
| Tape and Reel Option: | Blank | = Standard packaging (tube or tray) |
| | T | = Tape and Reel |
| SMBus Address: | 1 | = 1001_100(r/w) |
| | 2 | = 1000_101(r/w) |
| | A | = Adjustable |
| Temperature Range: | I | = -40°C to +85°C (Industrial) |
| | E | = -40°C to +125°C (Extended) |
| Package: | RW | = 8-Lead Very, Very Thin Plastic Dual Flat, No Lead – 2 x 2 mm Body (WDFN)= UQFN |
| | 9R | = 10-Lead Very Thin Plastic Dual Flat, No Lead – 2.5 x 2.0 mm Body (VDFN) |

Examples:

- EMC1812T-AE/RW: Tape and reel, Adjustable, Extended temperature, 8L-WDFN package
- EMC1812T-1E/RW: Tape and reel, 1001_100(r/w), Extended temperature, 8L-WDFN package
- EMC1833T-2E/RW: Tape and reel 1000_101(r/w), Extended temperature, 8L-WDFN package
- EMC1813T-2E/9R: Tape and reel 1000_101(r/w), Extended temperature, 10L-VDFN package
- EMC1814T-AE/9R: Tape and reel, Adjustable Extended temperature, 10L-VDFN package
- EMC1815T-1E/9R: Tape and reel, 1001_100(r/w), Extended temperature, 10L-VDFN package
- EMC1815T-2E/9R: Tape and reel, 1000_101(r/w), Extended temperature, 10L-VDFN package

Note:

1. Tape and Reel identifier only appears in the catalog part number description. This identifier is used for ordering purposes and is not printed on the device package. Check with your Microchip Sales Office for package availability with the Tape and Reel option.
2. Small form-factor packaging options may be available. Please check <http://www.microchip.com/packaging> for small-form factor package availability, or contact your local Sales Office.

Multi-Channel Low-Voltage Remote Diode Sensor Family

Microchip Devices Code Protection Feature

Note the following details of the code protection feature on Microchip devices:

- Microchip products meet the specification contained in their particular Microchip Data Sheet.
- Microchip believes that its family of products is one of the most secure families of its kind on the market today, when used in the intended manner and under normal conditions.
- There are dishonest and possibly illegal methods used to breach the code protection feature. All of these methods, to our knowledge, require using the Microchip products in a manner outside the operating specifications contained in Microchip's Data Sheets. Most likely, the person doing so is engaged in theft of intellectual property.
- Microchip is willing to work with the customer who is concerned about the integrity of their code.
- Neither Microchip nor any other semiconductor manufacturer can guarantee the security of their code. Code protection does not mean that we are guaranteeing the product as "unbreakable."

Code protection is constantly evolving. We at Microchip are committed to continuously improving the code protection features of our products. Attempts to break Microchip's code protection feature may be a violation of the Digital Millennium Copyright Act. If such acts allow unauthorized access to your software or other copyrighted work, you may have a right to sue for relief under that Act.

Legal Notice

Information contained in this publication regarding device applications and the like is provided only for your convenience and may be superseded by updates. It is your responsibility to ensure that your application meets with your specifications. MICROCHIP MAKES NO REPRESENTATIONS OR WARRANTIES OF ANY KIND WHETHER EXPRESS OR IMPLIED, WRITTEN OR ORAL, STATUTORY OR OTHERWISE, RELATED TO THE INFORMATION, INCLUDING BUT NOT LIMITED TO ITS CONDITION, QUALITY, PERFORMANCE, MERCHANTABILITY OR FITNESS FOR PURPOSE. Microchip disclaims all liability arising from this information and its use. Use of Microchip devices in life support and/or safety applications is entirely at the buyer's risk, and the buyer agrees to defend, indemnify and hold harmless Microchip from any and all damages, claims, suits, or expenses resulting from such use. No licenses are conveyed, implicitly or otherwise, under any Microchip intellectual property rights unless otherwise stated.

Trademarks

The Microchip name and logo, the Microchip logo, AnyRate, AVR, AVR logo, AVR Freaks, BitCloud, chipKIT, chipKIT logo, CryptoMemory, CryptoRF, dsPIC, FlashFlex, flexPWR, Helder, JukeBlox, KeeLoq, Klear, LANCheck, LINK MD, maXStylus, maXTouch, MediaLB, megaAVR, MOST, MOST logo, MPLAB, OptoLyzer, PIC, picoPower, PICSTART, PIC32 logo, Prochip Designer, QTouch, SAM-BA, SpyNIC, SST, SST Logo, SuperFlash, tinyAVR, UNI/O, and XMEGA are registered trademarks of Microchip Technology Incorporated in the U.S.A. and other countries.

ClockWorks, The Embedded Control Solutions Company, EtherSynch, Hyper Speed Control, HyperLight Load, IntelliMOS, mTouch, Precision Edge, and Quiet-Wire are registered trademarks of Microchip Technology Incorporated in the U.S.A.

Adjacent Key Suppression, AKS, Analog-for-the-Digital Age, Any Capacitor, AnyIn, AnyOut, BodyCom, CodeGuard, CryptoAuthentication, CryptoAutomotive, CryptoCompanion, CryptoController, dsPICDEM, dsPICDEM.net, Dynamic Average Matching, DAM, ECAN, EtherGREEN, In-Circuit Serial Programming, ICSP, INICnet, Inter-Chip Connectivity, JitterBlocker, KlearNet, KlearNet logo, memBrain, Mindi, MiWi,

Multi-Channel Low-Voltage Remote Diode Sensor Family

motorBench, MPASM, MPF, MPLAB Certified logo, MPLIB, MPLINK, MultiTRAK, NetDetach, Omniscient Code Generation, PICDEM, PICDEM.net, PICKit, PICtail, PowerSmart, PureSilicon, QMatrix, REAL ICE, Ripple Blocker, SAM-ICE, Serial Quad I/O, SMART-I.S., SQI, SuperSwitcher, SuperSwitcher II, Total Endurance, TSHARC, USBCheck, VariSense, ViewSpan, WiperLock, Wireless DNA, and ZENA are trademarks of Microchip Technology Incorporated in the U.S.A. and other countries.

SQTP is a service mark of Microchip Technology Incorporated in the U.S.A.

Silicon Storage Technology is a registered trademark of Microchip Technology Inc. in other countries.

GestIC is a registered trademark of Microchip Technology Germany II GmbH & Co. KG, a subsidiary of Microchip Technology Inc., in other countries.

All other trademarks mentioned herein are property of their respective companies.

© 2018, Microchip Technology Incorporated, Printed in the U.S.A., All Rights Reserved.

ISBN: 978-1-5224-3630-0

Quality Management System Certified by DNV

ISO/TS 16949

Microchip received ISO/TS-16949:2009 certification for its worldwide headquarters, design and wafer fabrication facilities in Chandler and Tempe, Arizona; Gresham, Oregon and design centers in California and India. The Company's quality system processes and procedures are for its PIC[®] MCUs and dsPIC[®] DSCs, KEELOQ[®] code hopping devices, Serial EEPROMs, microperipherals, nonvolatile memory and analog products. In addition, Microchip's quality system for the design and manufacture of development systems is ISO 9001:2000 certified.

Worldwide Sales and Service

| AMERICAS | ASIA/PACIFIC | ASIA/PACIFIC | EUROPE |
|--|---|--|--|
| <p>Corporate Office 2355 West Chandler Blvd. Chandler, AZ 85224-6199 Tel: 480-792-7200 Fax: 480-792-7277 Technical Support: http://www.microchip.com/support Web Address: www.microchip.com</p> <p>Atlanta Duluth, GA Tel: 678-957-9614 Fax: 678-957-1455</p> <p>Austin, TX Tel: 512-257-3370</p> <p>Boston Westborough, MA Tel: 774-760-0087 Fax: 774-760-0088</p> <p>Chicago Itasca, IL Tel: 630-285-0071 Fax: 630-285-0075</p> <p>Dallas Addison, TX Tel: 972-818-7423 Fax: 972-818-2924</p> <p>Detroit Novi, MI Tel: 248-848-4000</p> <p>Houston, TX Tel: 281-894-5983</p> <p>Indianapolis Noblesville, IN Tel: 317-773-8323 Fax: 317-773-5453 Tel: 317-536-2380</p> <p>Los Angeles Mission Viejo, CA Tel: 949-462-9523 Fax: 949-462-9608 Tel: 951-273-7800</p> <p>Raleigh, NC Tel: 919-844-7510</p> <p>New York, NY Tel: 631-435-6000</p> <p>San Jose, CA Tel: 408-735-9110 Tel: 408-436-4270</p> <p>Canada - Toronto Tel: 905-695-1980 Fax: 905-695-2078</p> | <p>Australia - Sydney Tel: 61-2-9868-6733</p> <p>China - Beijing Tel: 86-10-8569-7000</p> <p>China - Chengdu Tel: 86-28-8665-5511</p> <p>China - Chongqing Tel: 86-23-8980-9588</p> <p>China - Dongguan Tel: 86-769-8702-9880</p> <p>China - Guangzhou Tel: 86-20-8755-8029</p> <p>China - Hangzhou Tel: 86-571-8792-8115</p> <p>China - Hong Kong SAR Tel: 852-2943-5100</p> <p>China - Nanjing Tel: 86-25-8473-2460</p> <p>China - Qingdao Tel: 86-532-8502-7355</p> <p>China - Shanghai Tel: 86-21-3326-8000</p> <p>China - Shenyang Tel: 86-24-2334-2829</p> <p>China - Shenzhen Tel: 86-755-8864-2200</p> <p>China - Suzhou Tel: 86-186-6233-1526</p> <p>China - Wuhan Tel: 86-27-5980-5300</p> <p>China - Xian Tel: 86-29-8833-7252</p> <p>China - Xiamen Tel: 86-592-2388138</p> <p>China - Zhuhai Tel: 86-756-3210040</p> | <p>India - Bangalore Tel: 91-80-3090-4444</p> <p>India - New Delhi Tel: 91-11-4160-8631</p> <p>India - Pune Tel: 91-20-4121-0141</p> <p>Japan - Osaka Tel: 81-6-6152-7160</p> <p>Japan - Tokyo Tel: 81-3-6880-3770</p> <p>Korea - Daegu Tel: 82-53-744-4301</p> <p>Korea - Seoul Tel: 82-2-554-7200</p> <p>Malaysia - Kuala Lumpur Tel: 60-3-7651-7906</p> <p>Malaysia - Penang Tel: 60-4-227-8870</p> <p>Philippines - Manila Tel: 63-2-634-9065</p> <p>Singapore Tel: 65-6334-8870</p> <p>Taiwan - Hsin Chu Tel: 886-3-577-8366</p> <p>Taiwan - Kaohsiung Tel: 886-7-213-7830</p> <p>Taiwan - Taipei Tel: 886-2-2508-8600</p> <p>Thailand - Bangkok Tel: 66-2-694-1351</p> <p>Vietnam - Ho Chi Minh Tel: 84-28-5448-2100</p> | <p>Austria - Wels Tel: 43-7242-2244-39 Fax: 43-7242-2244-393</p> <p>Denmark - Copenhagen Tel: 45-4450-2828 Fax: 45-4485-2829</p> <p>Finland - Espoo Tel: 358-9-4520-820</p> <p>France - Paris Tel: 33-1-69-53-63-20 Fax: 33-1-69-30-90-79</p> <p>Germany - Garching Tel: 49-8931-9700</p> <p>Germany - Haan Tel: 49-2129-3766400</p> <p>Germany - Heilbronn Tel: 49-7131-67-3636</p> <p>Germany - Karlsruhe Tel: 49-721-625370</p> <p>Germany - Munich Tel: 49-89-627-144-0 Fax: 49-89-627-144-44</p> <p>Germany - Rosenheim Tel: 49-8031-354-560</p> <p>Israel - Ra'anana Tel: 972-9-744-7705</p> <p>Italy - Milan Tel: 39-0331-742611 Fax: 39-0331-466781</p> <p>Italy - Padova Tel: 39-049-7625286</p> <p>Netherlands - Drunen Tel: 31-416-690399 Fax: 31-416-690340</p> <p>Norway - Trondheim Tel: 47-7289-7561</p> <p>Poland - Warsaw Tel: 48-22-3325737</p> <p>Romania - Bucharest Tel: 40-21-407-87-50</p> <p>Spain - Madrid Tel: 34-91-708-08-90 Fax: 34-91-708-08-91</p> <p>Sweden - Gothenberg Tel: 46-31-704-60-40</p> <p>Sweden - Stockholm Tel: 46-8-5090-4654</p> <p>UK - Wokingham Tel: 44-118-921-5800 Fax: 44-118-921-5820</p> |

Mouser Electronics

Authorized Distributor

Click to View Pricing, Inventory, Delivery & Lifecycle Information:

Microchip:

[EMC1812T-1E/RW](#) [EMC1813T-2E/9R](#) [EMC1814T-2E/9R](#) [EMC1814T-AE/9R](#) [EMC1815T-AE/9R](#) [EMC1813T-AE/9R](#)
[EMC1812T-2E/RW](#) [EMC1833T-AE/RW](#) [EMC1812T-AE/RW](#) [EMC1813T-1E/9R](#) [EMC1815T-1E/9R](#) [EMC1814T-1E/9R](#) [EMC1815T-2E/9R](#)

Компания «Life Electronics» занимается поставками электронных компонентов импортного и отечественного производства от производителей и со складов крупных дистрибьюторов Европы, Америки и Азии.

С конца 2013 года компания активно расширяет линейку поставок компонентов по направлению коаксиальный кабель, кварцевые генераторы и конденсаторы (керамические, пленочные, электролитические), за счёт заключения дистрибьюторских договоров

Мы предлагаем:

- Конкурентоспособные цены и скидки постоянным клиентам.
- Специальные условия для постоянных клиентов.
- Подбор аналогов.
- Поставку компонентов в любых объемах, удовлетворяющих вашим потребностям.
- Приемлемые сроки поставки, возможна ускоренная поставка.
- Доставку товара в любую точку России и стран СНГ.
- Комплексную поставку.
- Работу по проектам и поставку образцов.
- Формирование склада под заказчика.
- Сертификаты соответствия на поставляемую продукцию (по желанию клиента).
- Тестирование поставляемой продукции.
- Поставку компонентов, требующих военную и космическую приемку.
- Входной контроль качества.
- Наличие сертификата ISO.

В составе нашей компании организован Конструкторский отдел, призванный помогать разработчикам, и инженерам.

Конструкторский отдел помогает осуществить:

- Регистрацию проекта у производителя компонентов.
- Техническую поддержку проекта.
- Защиту от снятия компонента с производства.
- Оценку стоимости проекта по компонентам.
- Изготовление тестовой платы монтаж и пусконаладочные работы.



Тел: +7 (812) 336 43 04 (многоканальный)

Email: org@lifeelectronics.ru