



10 Watt F-Series Interchangeable Plug* Adapter with DC Cord



*plugs sold separately

Features

- Folding Blades
- Constant Current for Battery Charging
- 15mm Thick with Blades Folded
- Standard Barrel or Micro-B
- Interchangeable AC Clips*
- Level VI Efficiency Compliant
- No load power draw <0.10W

Applications

- Tablets
- Networking Equipment
- Personal Electronics
- Peripherals

Safety Approvals

- cUL/UL
- RCM ⁽¹⁾
- BSMI
- CE
- TUV-Brazil
- PSE

Mechanical Characteristics

- Length: 60mm (2.36in)
- Width: 47mm (1.85in)
- Height: 15.0mm (0.59in)
- Weight: 67g (2.36oz)

Output Specifications

Model	DC Output Voltage			Load		Output Connector
	Min.	Typ.	Max.	Min.	Max.	
PSA10F-050-R	4.75V	5V	5.25V	0A	2A	Micro-B
PSA10F-050(P)-R ⁽²⁾	4.75V	5V	5.25V	0A	2A	Standard Barrel
PSA10FC-050-R ⁽²⁾⁽³⁾	4.75V	5V	5.25V	0A	2A	Micro-B

(1) May need registration by Australian local representative.

(2) Minimum order quantity applies for this model

(3) China Model

Phihong is not responsible for any error, and reserves the right to make changes without notice. Please visit our website at www.phihong.com for the most up-to-date specifications and contact information.

INPUT:**AC Input Voltage Range**

90 to 264VAC

AC Input Voltage Rating

100 to 240VAC

AC Input Frequency

47 to 63Hz

AC Input Current

0.3A RMS maximum at 120VAC

0.15A RMS maximum at 240VAC

Leakage Current

100uA maximum at 240VAC

Inrush Current

60A at 240VAC

OUTPUT:**Output Power**

10W Continuous

Efficiency

DOE Level VI; EU CoC Ver5 Tier2

Standby Power

<100mW at 230VAC

Ripple and Noise

100mVp-p at 0A-1A load

200mVp-p at 1A-2A load

Current Limit

2.5A when less than 3V (auto-restart)

ENVIRONMENTAL:**Temperature**

Operating 0 to 40C

Non-operating -40 to +85C

Humidity 10 to 90%

EMI

Complies with FCC Class B

Complies with EN55032 Class B

Immunity

ESD: EN61000-4-2 Level 3

Radiated: EN61000-4-3 Level 2

EFT: EN61000-4-4 Level 2

Surge: EN61000-4-5 Level 3

C/T: EN61000-4-6 Level 2

PFMT: EN61000-4-8

VDT: EN61000-4-11

Harmonic: EN61000-3-2 Class A

Flicker: EN61000-3-3

Dielectric Withstand (HI-POT) Test

Primary to secondary: 3000VAC, 10mA, 60 seconds

Insulation Resistance

Primary to secondary: 500V >7M OHM

FEATURES:**Over Voltage Protection**

Auto-restart 6.3V maximum

Short Circuit Protection

Must withstand continuous short circuit

Over Temperature Protection

Auto shutdown without fault

DC Output

PSA10F-050 Micro-B USB: D+/D- Shorted

PSA10F-050(P) Standard Barrel: Center Positive

5.5x2.1x10mm

AC Input

US Fixed Blade folding prong

Interchangeable AC Clips (fit over US prongs) Sold Separately

FPBAG: FPE, FPK, FPS

FPB: Brazil

FPC: China

FPE: Europe

FPH: Korea

FPI: India

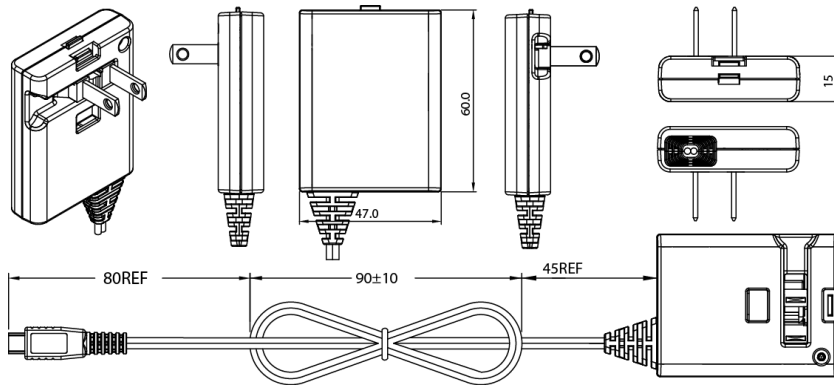
FPK: UK

FPN: Argentina

FPS: Australia

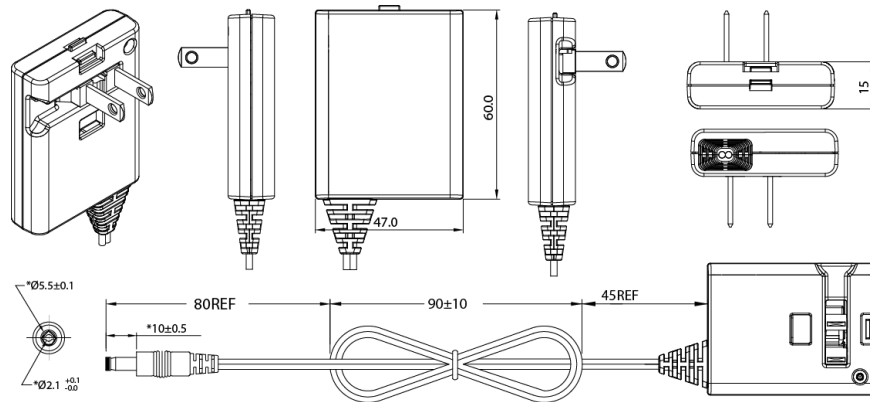
PSA10F-050

Dimension Diagram Unit: mm



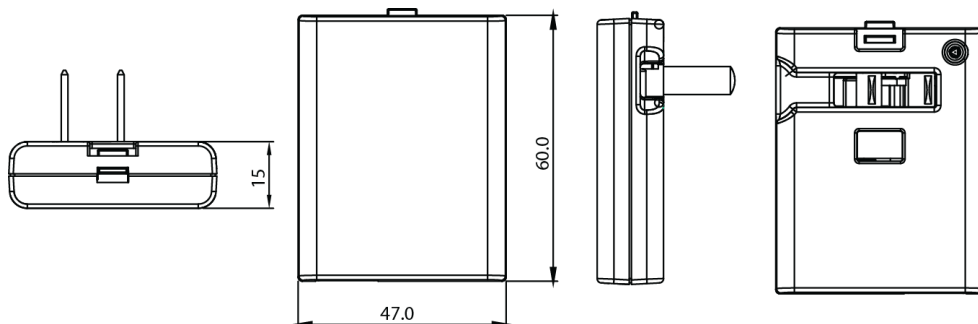
PSA10F-050(P)

Dimension Diagram Unit: mm



PSA10FC-050

Dimension Diagram Unit: mm



**Supplier's Declaration of Conformity
47 CFR § 2.1077 Compliance Information**

**PSA10F-050-R
PSA10F-050(P)-R**

Phihong USA Corporation
47800 Fremont Boulevard
Fremont, CA 94538
Telephone: (510) 445-0100
www.phihong.com

NOTE: The models above have been tested and found to comply with the limits for a Class B digital device, pursuant to part 15 of the FCC Rules. These limits are designed to provide reasonable protection against harmful interference in a residential installation. This equipment generates, uses and can radiate radio frequency energy and, if not installed and used in accordance with the instructions, may cause harmful interference to radio communications. However, there is no guarantee that interference will not occur in a particular installation. If this equipment does cause harmful interference to radio or television reception, which can be determined by turning the equipment off and on, the user is encouraged to try to correct the interference by one or more of the following measures:

- Reorient or relocate the receiving antenna.
- Increase the separation between the equipment and receiver.
- Connect the equipment into an outlet on a circuit different from that to which the receiver is connected.
- Consult the dealer or an experienced radio/TV technician for help.

Changes or modifications to equipment not expressly approved by PHIHONG could void the user's authority to operate the equipment.

Компания «Life Electronics» занимается поставками электронных компонентов импортного и отечественного производства от производителей и со складов крупных дистрибьюторов Европы, Америки и Азии.

С конца 2013 года компания активно расширяет линейку поставок компонентов по направлению коаксиальный кабель, кварцевые генераторы и конденсаторы (керамические, пленочные, электролитические), за счёт заключения дистрибьюторских договоров

Мы предлагаем:

- Конкурентоспособные цены и скидки постоянным клиентам.
- Специальные условия для постоянных клиентов.
- Подбор аналогов.
- Поставку компонентов в любых объемах, удовлетворяющих вашим потребностям.
- Приемлемые сроки поставки, возможна ускоренная поставка.
- Доставку товара в любую точку России и стран СНГ.
- Комплексную поставку.
- Работу по проектам и поставку образцов.
- Формирование склада под заказчика.
- Сертификаты соответствия на поставляемую продукцию (по желанию клиента).
- Тестирование поставляемой продукции.
- Поставку компонентов, требующих военную и космическую приемку.
- Входной контроль качества.
- Наличие сертификата ISO.

В составе нашей компании организован Конструкторский отдел, призванный помогать разработчикам, и инженерам.

Конструкторский отдел помогает осуществить:

- Регистрацию проекта у производителя компонентов.
- Техническую поддержку проекта.
- Защиту от снятия компонента с производства.
- Оценку стоимости проекта по компонентам.
- Изготовление тестовой платы монтаж и пусконаладочные работы.



Тел: +7 (812) 336 43 04 (многоканальный)

Email: org@lifeelectronics.ru