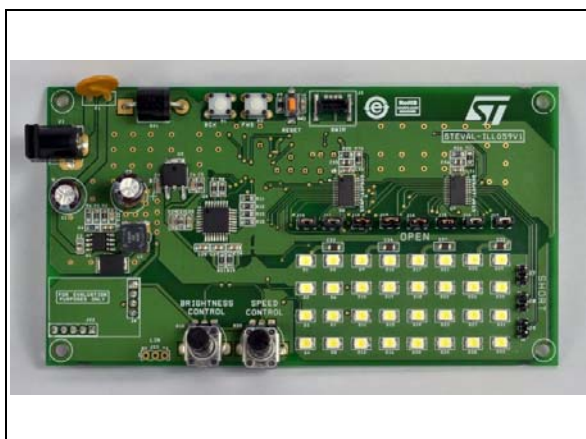


High brightness LED array driver with diagnostics for automotive applications based on the STAP16DPS05 and STM8A

Data brief



Description

The STEVAL-ILL059V1 evaluation board is a high brightness LED array driver application with diagnostics based on the automotive grade, low voltage, 16-bit constant current LED sink driver STAP16DPS05 from STMicroelectronics.

The LED driver is configured and controlled through an 8-bit automotive grade STM8A microcontroller via SPI interface.

An automotive grade A5974D DC-DC converter provides the voltages and power for the overall functioning of the board.

This board can be used to demonstrate the LED driver features or used to aid in application development.

Software applications can be written, downloaded and debugged using the on-board SWIM connector.

Features

- Stand-alone mode:
 - Demonstrates pre-configured patterns (with adjustable brightness/speed) such as rolling text, wave effect, dot sequence, etc.
 - On-board buttons to switch between the demos
 - Potentiometer as a slider to control speed or brightness of the pattern
 - Open circuit, short circuit using open-circuit/short-circuit jumpers
- GUI mode:
 - All the features present in stand-alone mode can be controlled using the GUI
 - Global brightness control to change the brightness of all channels
 - Frame programming mode and 4 predefined presets with variable transition time between frames
 - Open/short error detection and representation on the GUI
 - Error detection in “no loop” and in loop of 0.5 s and 1 s
- RoHS compliant

1 Schematic diagrams

Figure 1. Power section

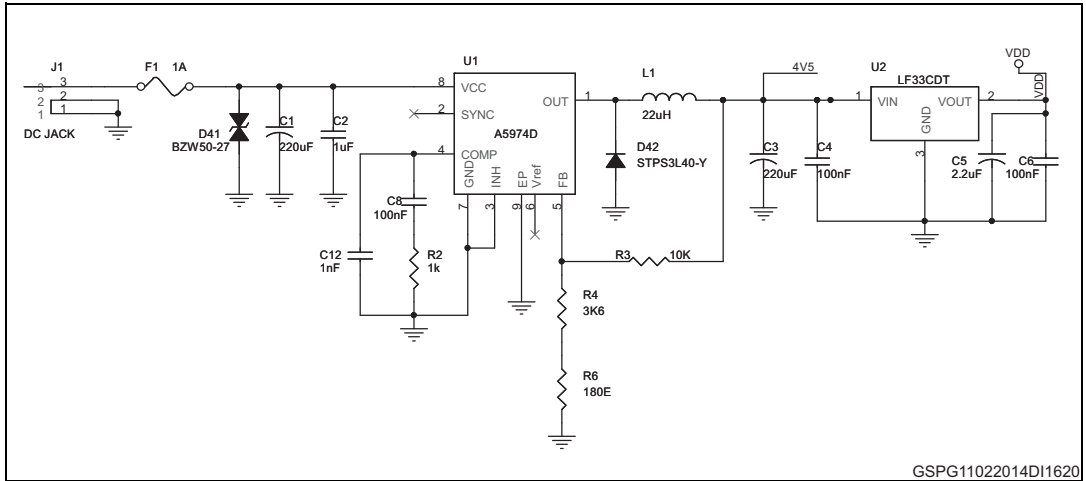


Figure 2. Microcontroller

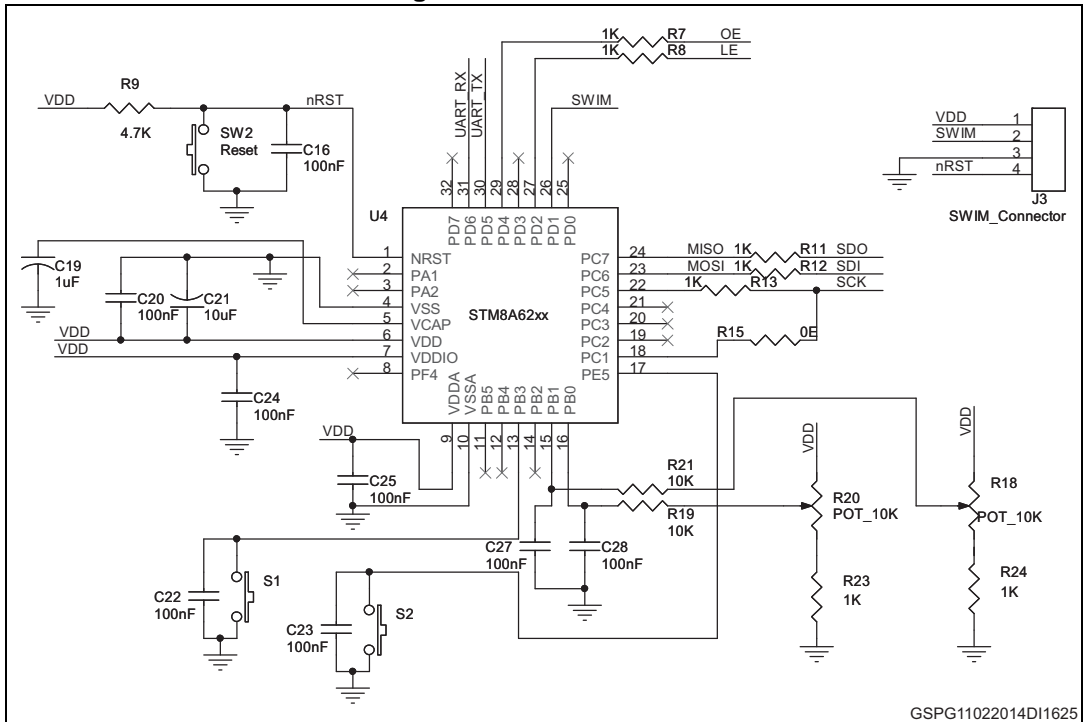


Figure 3. Jumpers to simulate open circuit error detection

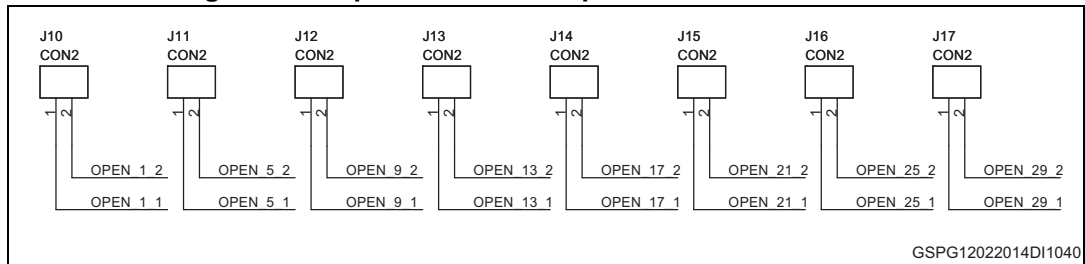


Figure 4. Jumpers to simulate short circuit error detection

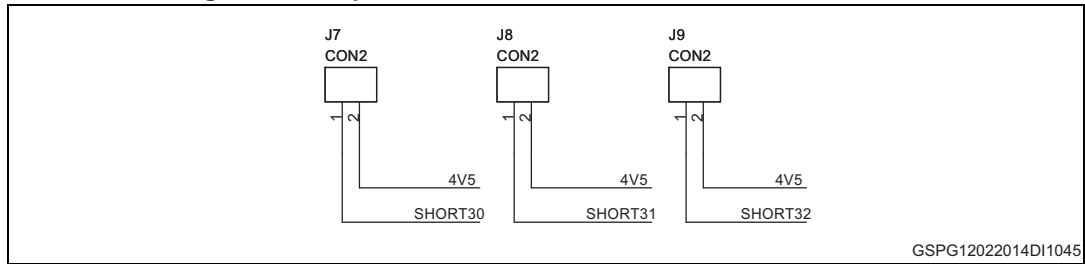


Figure 5. Connector

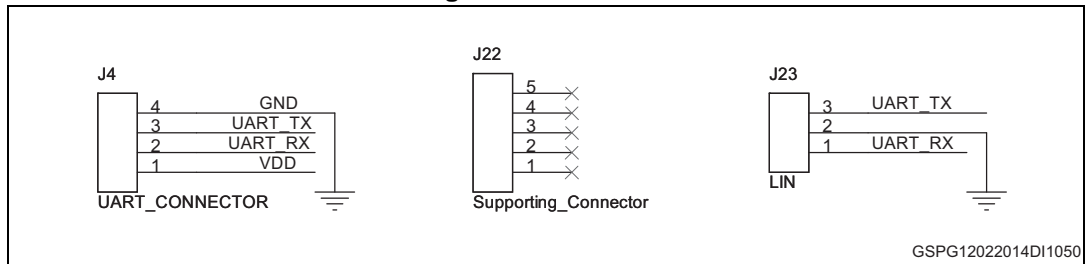


Figure 6. LED driver STAP16DPS05

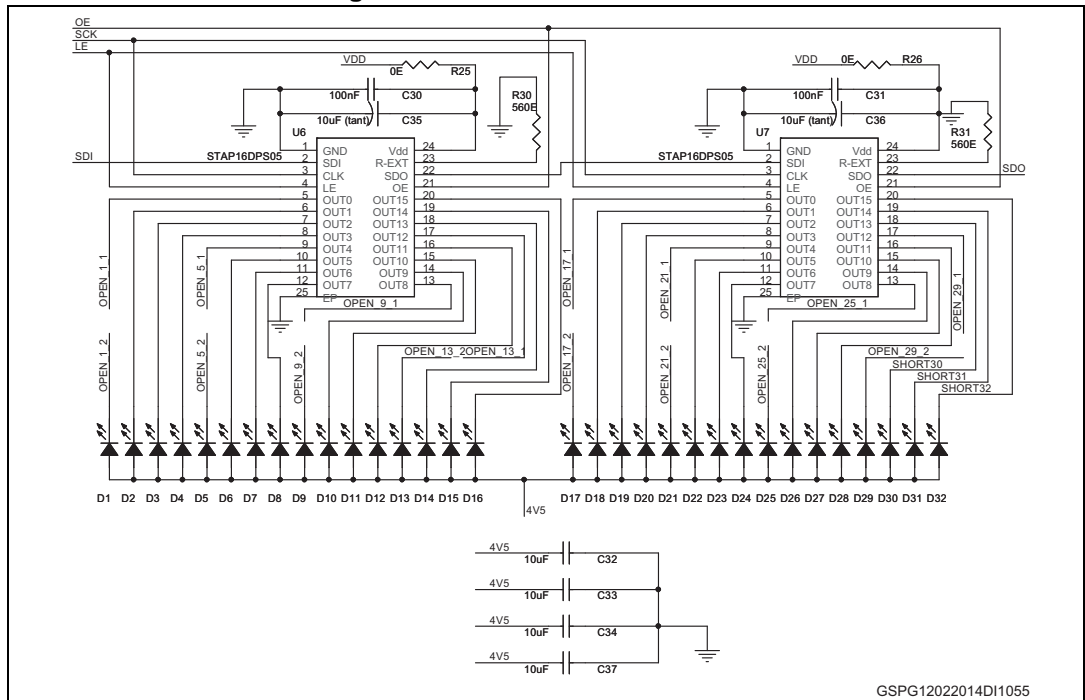


Figure 7. USB section

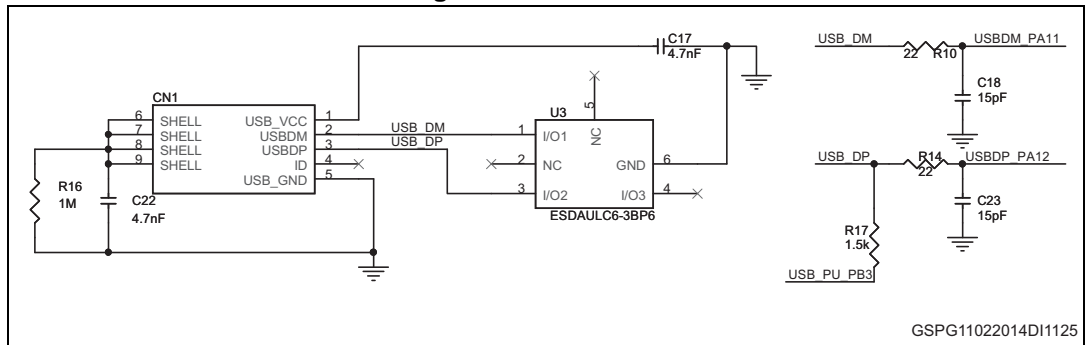


Figure 8. STM32 section

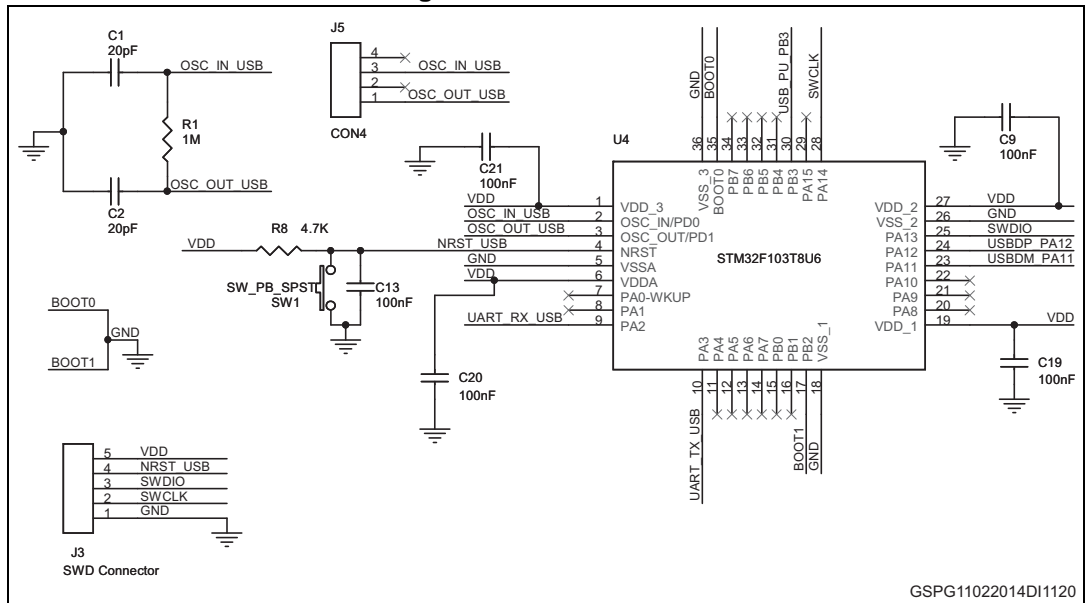
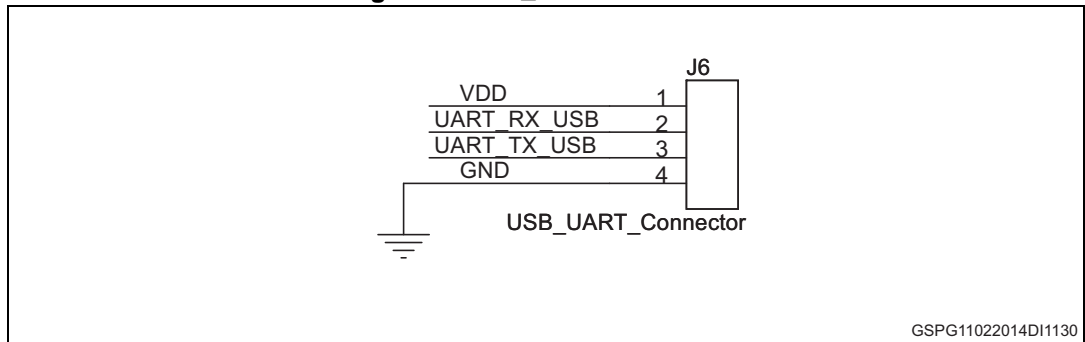


Figure 9. USB_UART connector



2 Revision history

Table 1. Document revision history

Date	Revision	Changes
07-Aug-2014	1	Initial release.

IMPORTANT NOTICE – PLEASE READ CAREFULLY

STMicroelectronics NV and its subsidiaries ("ST") reserve the right to make changes, corrections, enhancements, modifications, and improvements to ST products and/or to this document at any time without notice. Purchasers should obtain the latest relevant information on ST products before placing orders. ST products are sold pursuant to ST's terms and conditions of sale in place at the time of order acknowledgement.

Purchasers are solely responsible for the choice, selection, and use of ST products and ST assumes no liability for application assistance or the design of Purchasers' products.

No license, express or implied, to any intellectual property right is granted by ST herein.

Resale of ST products with provisions different from the information set forth herein shall void any warranty granted by ST for such product.

ST and the ST logo are trademarks of ST. All other product or service names are the property of their respective owners.

Information in this document supersedes and replaces information previously supplied in any prior versions of this document.

© 2014 STMicroelectronics – All rights reserved

Компания «Life Electronics» занимается поставками электронных компонентов импортного и отечественного производства от производителей и со складов крупных дистрибьюторов Европы, Америки и Азии.

С конца 2013 года компания активно расширяет линейку поставок компонентов по направлению коаксиальный кабель, кварцевые генераторы и конденсаторы (керамические, пленочные, электролитические), за счёт заключения дистрибьюторских договоров

Мы предлагаем:

- Конкурентоспособные цены и скидки постоянным клиентам.
- Специальные условия для постоянных клиентов.
- Подбор аналогов.
- Поставку компонентов в любых объемах, удовлетворяющих вашим потребностям.
- Приемлемые сроки поставки, возможна ускоренная поставка.
- Доставку товара в любую точку России и стран СНГ.
- Комплексную поставку.
- Работу по проектам и поставку образцов.
- Формирование склада под заказчика.
- Сертификаты соответствия на поставляемую продукцию (по желанию клиента).
- Тестирование поставляемой продукции.
- Поставку компонентов, требующих военную и космическую приемку.
- Входной контроль качества.
- Наличие сертификата ISO.

В составе нашей компании организован Конструкторский отдел, призванный помогать разработчикам, и инженерам.

Конструкторский отдел помогает осуществить:

- Регистрацию проекта у производителя компонентов.
- Техническую поддержку проекта.
- Защиту от снятия компонента с производства.
- Оценку стоимости проекта по компонентам.
- Изготовление тестовой платы монтаж и пусконаладочные работы.



Тел: +7 (812) 336 43 04 (многоканальный)

Email: org@lifeelectronics.ru