

THIS DRAWING IS UNPUBLISHED. RELEASED FOR PUBLICATION  
 © COPYRIGHT - By - ALL RIGHTS RESERVED.

| LOC |     | DIST                      |  | REVISIONS |     |      |  |
|-----|-----|---------------------------|--|-----------|-----|------|--|
| P   | LTR | DESCRIPTION               |  | DATE      | DWN | APVD |  |
|     | H2  | REVISED PER ECO-11-004587 |  | 11MAR11   | RK  | HMR  |  |

| LOC  | DIST | P | LTR | DESCRIPTION | DATE | DWN | APVD | DIM B | DIM A | NO. OF POS. | PART NO.    |
|------|------|---|-----|-------------|------|-----|------|-------|-------|-------------|-------------|
| -    | -    | - | -   | -           | -    | -   | -    | 180.7 | 188.2 | 18          | 1-1546306-8 |
| -    | -    | - | -   | -           | -    | -   | -    | 171.2 | 178.7 | 17          | 1-1546306-7 |
| -    | -    | - | -   | -           | -    | -   | -    | 161.7 | 169.2 | 16          | 1-1546306-6 |
| △△△△ | -    | - | -   | -           | -    | -   | -    | 152.2 | 159.7 | 15          | 6-1546306-2 |
| -    | -    | - | -   | -           | -    | -   | -    | 152.2 | 159.7 | 15          | 1-1546306-5 |
| -    | -    | - | -   | -           | -    | -   | -    | 142.7 | 150.2 | 14          | 1-1546306-4 |
| -    | -    | - | -   | -           | -    | -   | -    | 133.2 | 140.7 | 13          | 1-1546306-3 |
| △△   | -    | - | -   | -           | -    | -   | -    | 123.7 | 131.2 | 12          | 4-1546306-0 |
| △△   | -    | - | -   | -           | -    | -   | -    | 123.7 | 131.2 | 12          | 3-1546306-3 |
| -    | -    | - | -   | -           | -    | -   | -    | 123.7 | 131.2 | 12          | 1-1546306-2 |
| △    | -    | - | -   | 11          | -    | -   | -    | 114.2 | 121.7 | 11          | 5-1546306-2 |
| △△   | -    | - | -   | -           | 2    | -   | -    | 114.2 | 121.7 | 11          | 3-1546306-4 |
| △    | -    | - | -   | -           | -    | -   | -    | 114.2 | 121.7 | 11          | 3-1546306-1 |
| -    | -    | - | -   | -           | -    | -   | -    | 114.2 | 121.7 | 11          | 1-1546306-1 |
| △    | -    | - | -   | -           | -    | -   | 10   | 104.7 | 112.2 | 10          | 6-1546306-0 |
| △△   | -    | - | -   | -           | -    | -   | -    | 104.7 | 112.2 | 10          | 5-1546306-8 |
| -    | -    | - | -   | -           | -    | -   | -    | 104.7 | 112.2 | 10          | 1-1546306-0 |
| △△△  | -    | 4 | 9   | -           | -    | -   | -    | 95.2  | 102.7 | 9           | 6-1546306-3 |
| △△   | -    | - | -   | -           | -    | -   | -    | 95.2  | 102.7 | 9           | 5-1546306-6 |
| -    | -    | - | -   | -           | -    | -   | -    | 95.2  | 102.7 | 9           | 1546306-9   |
| -    | -    | - | -   | -           | -    | -   | 8    | 85.7  | 93.2  | 8           | 5-1546306-9 |
| △△   | -    | - | -   | -           | -    | -   | -    | 85.7  | 93.2  | 8           | 3-1546306-9 |
| -    | -    | - | -   | -           | -    | -   | -    | 85.7  | 93.2  | 8           | 1546306-8   |
| △△   | -    | - | -   | -           | -    | -   | -    | 76.2  | 83.7  | 7           | 5-1546306-5 |
| △    | -    | - | -   | 1           | -    | -   | 7    | 76.2  | 83.7  | 7           | 5-1546306-0 |
| -    | -    | - | -   | -           | -    | -   | -    | 76.2  | 83.7  | 7           | 4-1546306-5 |
| △    | -    | - | -   | -           | -    | -   | -    | 76.2  | 83.7  | 7           | 3-1546306-7 |
| -    | -    | - | -   | -           | -    | -   | -    | 76.2  | 83.7  | 7           | 1546306-7   |
| △△   | -    | - | -   | -           | -    | -   | -    | 66.7  | 74.2  | 6           | 5-1546306-4 |
| △△   | -    | - | -   | -           | -    | 1   | 6    | 66.7  | 74.2  | 6           | 4-1546306-9 |
| -    | -    | - | -   | -           | 6    | -   | -    | 66.7  | 74.2  | 6           | 4-1546306-8 |
| -    | -    | - | -   | -           | -    | -   | -    | 66.7  | 74.2  | 6           | 4-1546306-4 |
| △    | -    | - | -   | -           | -    | -   | -    | 66.7  | 74.2  | 6           | 4-1546306-6 |
| -    | -    | - | -   | -           | -    | -   | -    | 66.7  | 74.2  | 6           | 1546306-6   |
| △    | -    | - | -   | -           | -    | -   | 5    | 57.2  | 64.7  | 5           | 5-1546306-7 |
| △    | -    | 5 | 5   | -           | -    | -   | -    | 57.2  | 64.7  | 5           | 5-1546306-3 |
| △△   | -    | - | -   | -           | -    | -   | -    | 57.2  | 64.7  | 5           | 4-1546306-7 |
| -    | -    | - | -   | -           | -    | -   | -    | 57.2  | 64.7  | 5           | 4-1546306-3 |
| △    | -    | - | -   | -           | -    | -   | -    | 57.2  | 64.7  | 5           | 3-1546306-5 |
| -    | -    | - | -   | -           | -    | -   | -    | 57.2  | 64.7  | 5           | 1546306-5   |
| -    | -    | - | -   | -           | -    | -   | -    | 57.2  | 64.7  | 5           | 4-1546306-2 |
| △△   | -    | - | -   | -           | -    | -   | -    | 47.7  | 55.2  | 4           | 3-1546306-8 |
| -    | -    | - | -   | -           | -    | -   | -    | 47.7  | 55.2  | 4           | 1546306-4   |
| -    | -    | 3 | 3   | -           | -    | -   | -    | 38.2  | 45.7  | 3           | 6-1546306-1 |
| -    | -    | - | -   | -           | -    | -   | -    | 38.2  | 45.7  | 3           | 5-1546306-1 |
| -    | -    | - | -   | -           | -    | -   | -    | 38.2  | 45.7  | 3           | 1546306-3   |
| △    | -    | - | -   | -           | -    | -   | 2    | 28.7  | 36.2  | 2           | 4-1546306-6 |
| -    | -    | - | -   | -           | 2    | 2   | 2    | 28.7  | 36.2  | 2           | 4-1546306-1 |
| -    | -    | - | -   | -           | -    | -   | -    | 28.7  | 36.2  | 2           | 1546306-2   |

△△ SCREW ON ONE SIDE

|       |                       |                       |                      |          |                            |                            |                             |                            |                            |                             |                        |                            |                             |       |       |             |          |
|-------|-----------------------|-----------------------|----------------------|----------|----------------------------|----------------------------|-----------------------------|----------------------------|----------------------------|-----------------------------|------------------------|----------------------------|-----------------------------|-------|-------|-------------|----------|
| NOTES | ⑬ QC TAB .187 SS FLAT | ⑫ QC TAB .187 SS FLAT | ⑪ QC TAB .187 SS 90° | ⑩ JUMPER | ⑨ QC TAB DBL SIDE 90° .250 | ⑧ QC TAB DBL SIDE 45° .250 | ⑦ QC TAB DBL SIDE FLAT .250 | ⑥ QC TAB DBL SIDE 90° .187 | ⑤ QC TAB DBL SIDE 45° .187 | ④ QC TAB DBL SIDE FLAT .187 | ③ QC TAB SGL SIDE .250 | ② QC TAB SGL SIDE 45° .250 | ① QC TAB SGL SIDE FLAT .250 | DIM B | DIM A | NO. OF POS. | PART NO. |
|-------|-----------------------|-----------------------|----------------------|----------|----------------------------|----------------------------|-----------------------------|----------------------------|----------------------------|-----------------------------|------------------------|----------------------------|-----------------------------|-------|-------|-------------|----------|

THIS DRAWING IS A CONTROLLED DOCUMENT.

|                  |  |              |
|------------------|--|--------------|
| DWN              | S SCHLEGEL                                     | 20AUG2002    |
| CHK              | C RICHARD                                      | 8/20/02      |
| APVD             | C RICHARD                                      | 8/20/02      |
| PRODUCT SPEC     | 9.50MM (.374) DBL ROW BARRIER STRIP W/O WASHER |              |
| APPLICATION SPEC | -  |              |
| WEIGHT           | -  | -            |
| CUSTOMER DRAWING | SCALE NTS                                      | SHEET 1 OF 3 |

SIZE A2 CAGE CODE 00779 DRAWING NO. C=1546306 RESTRICTED TO -

THIS DRAWING IS UNPUBLISHED. RELEASED FOR PUBLICATION  
 © COPYRIGHT - By - ALL RIGHTS RESERVED.

| LOC |     | DIST        |      | REVISIONS |      |  |  |
|-----|-----|-------------|------|-----------|------|--|--|
| P   | LTR | DESCRIPTION | DATE | DWN       | APVD |  |  |
| -   | -   | SEE SHEET 1 | -    | -         | -    |  |  |

PHYSICAL PROPERTIES:  
 HOUSING MATERIAL: THERMOPLASTIC, PC  
 FLAMMABILITY: UL94V-0 COLOR: BLACK  
 MAX BOW/WARP: .0056 IN/IN.

TERMINAL:  
 TERMINALS: BRASS, TIN PLATED  
 SCREWS: 6-32, STEEL, NICKEL PLATED

MECHANICAL:  
 PITCH (TERMINAL SPACING): 9.50mm(.374")  
 WIRE RANGE: 12-22 AWG  
 RECOMMENDED TIGHTENING TORQUE: 12IN-LBS MAX.

ELECTRICAL PROPERTIES:  
 MAXIMUM CURRENT: 20A  
 OPERATING VOLTAGE: 300V

ENVIRONMENTAL PROPERTIES:  
 OPERATING TEMP RANGE: -40°C TO +120°C.

- 1 SEE FIGURE.
- 2 MARKED WITH WHITE INK.
- 3 PRELIMINARY PART NUMBER.
- 4 SCREWS AND TERMINALS ARE NICKEL PLATED BRASS.
- 5 STAINLESS STEEL SCREWS.
- 6 SCREWS ARE NICKEL PLATED BRASS.
- 7 WIRE CLAMP SCREWS TO BE USED ONLY ON SIDE OPPOSITE QC TABS.
- 8 TE CONNECTIVITY LOGO LOCATED APPROXIMATE AREA SHOWN.

-- SELECT LOAD CHART --

|                  |                     |         |                    |    |        |   |                          |     |                          |   |                           |    |                          |   |                          |   |                           |   |                          |   |                          |   |                           |             |             |
|------------------|---------------------|---------|--------------------|----|--------|---|--------------------------|-----|--------------------------|---|---------------------------|----|--------------------------|---|--------------------------|---|---------------------------|---|--------------------------|---|--------------------------|---|---------------------------|-------------|-------------|
| -                | -                   | 4-5,5-6 | -                  | -  | -      | - | ALL                      | -   | -                        | - | -                         | 11 | 3-1546306-4              |   |                          |   |                           |   |                          |   |                          |   |                           |             |             |
| -                | -                   | -       | -                  | -  | -      | - | ALL                      | 1-3 | -                        | - | -                         | 10 | 6-1546306-0              |   |                          |   |                           |   |                          |   |                          |   |                           |             |             |
| -                | -                   | 1,2     | -                  | -  | ALL    | - | -                        | -   | -                        | - | -                         | 7  | 5-1546306-0              |   |                          |   |                           |   |                          |   |                          |   |                           |             |             |
| -                | -                   | -       | -                  | 1  | ALL    | - | -                        | -   | -                        | - | -                         | 6  | 4-1546306-9              |   |                          |   |                           |   |                          |   |                          |   |                           |             |             |
| 12               | QC TAB .187 SS FLAT | 11      | QC TAB .187 SS 90° | 10 | JUMPER | 9 | QC TAB DBL SIDE 90° .250 | 8   | QC TAB DBL SIDE 45° .250 | 7 | QC TAB DBL SIDE FLAT .250 | 6  | QC TAB DBL SIDE 90° .187 | 5 | QC TAB DBL SIDE 45° .187 | 4 | QC TAB DBL SIDE FLAT .187 | 3 | QC TAB SGL SIDE 90° .250 | 2 | QC TAB SGL SIDE 45° .250 | 1 | QC TAB SGL SIDE FLAT .250 | NO. OF POS. | PART NUMBER |
| POSITIONS LOADED |                     |         |                    |    |        |   |                          |     |                          |   |                           |    |                          |   |                          |   |                           |   |                          |   |                          |   |                           |             |             |

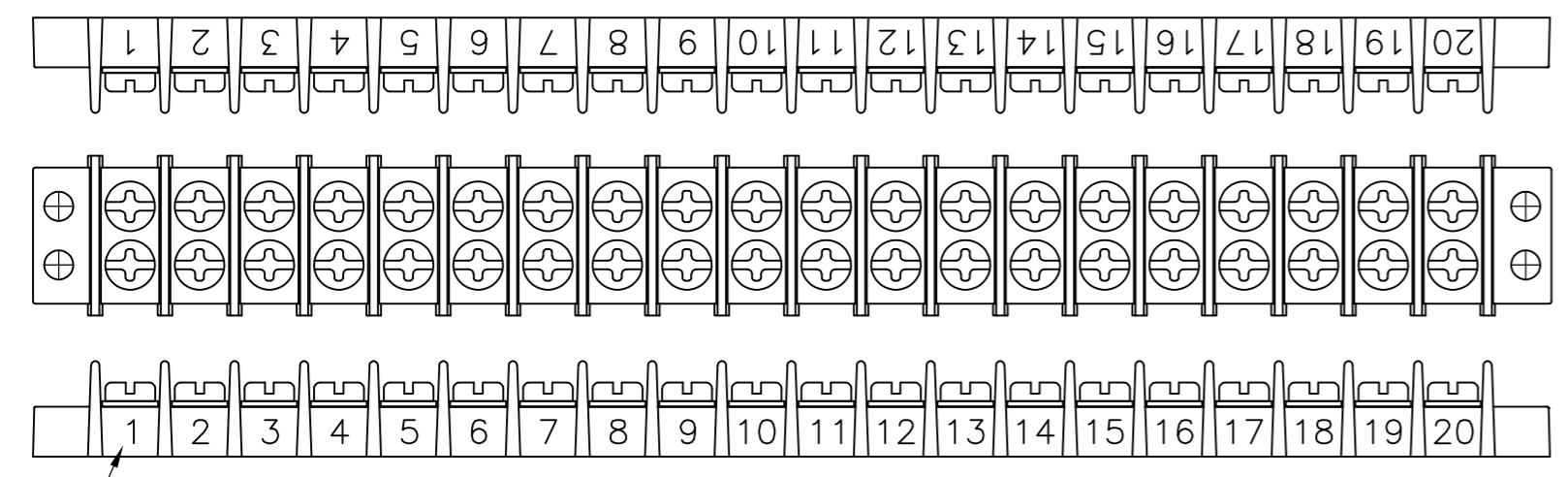
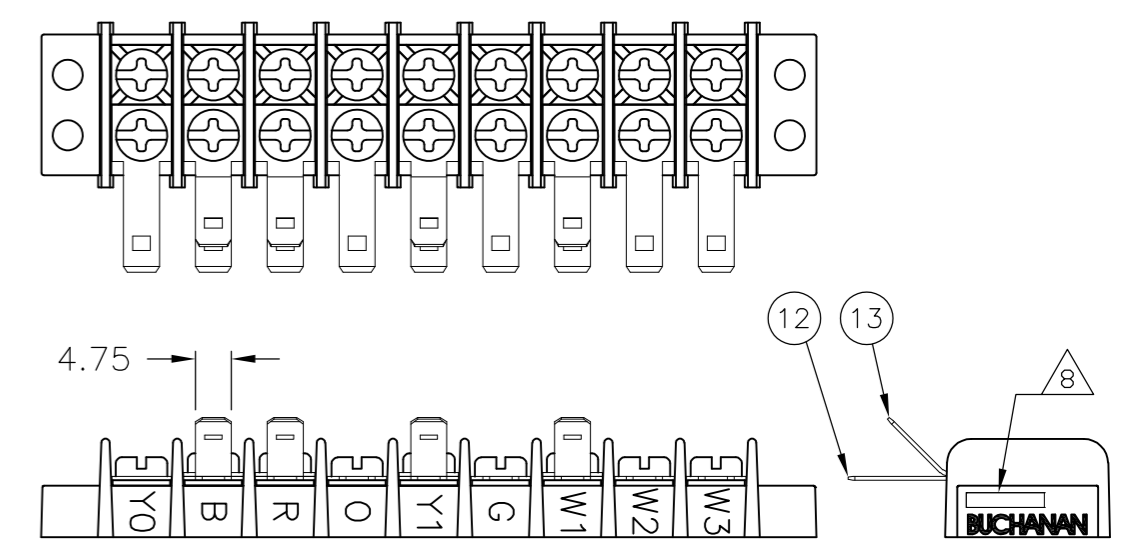
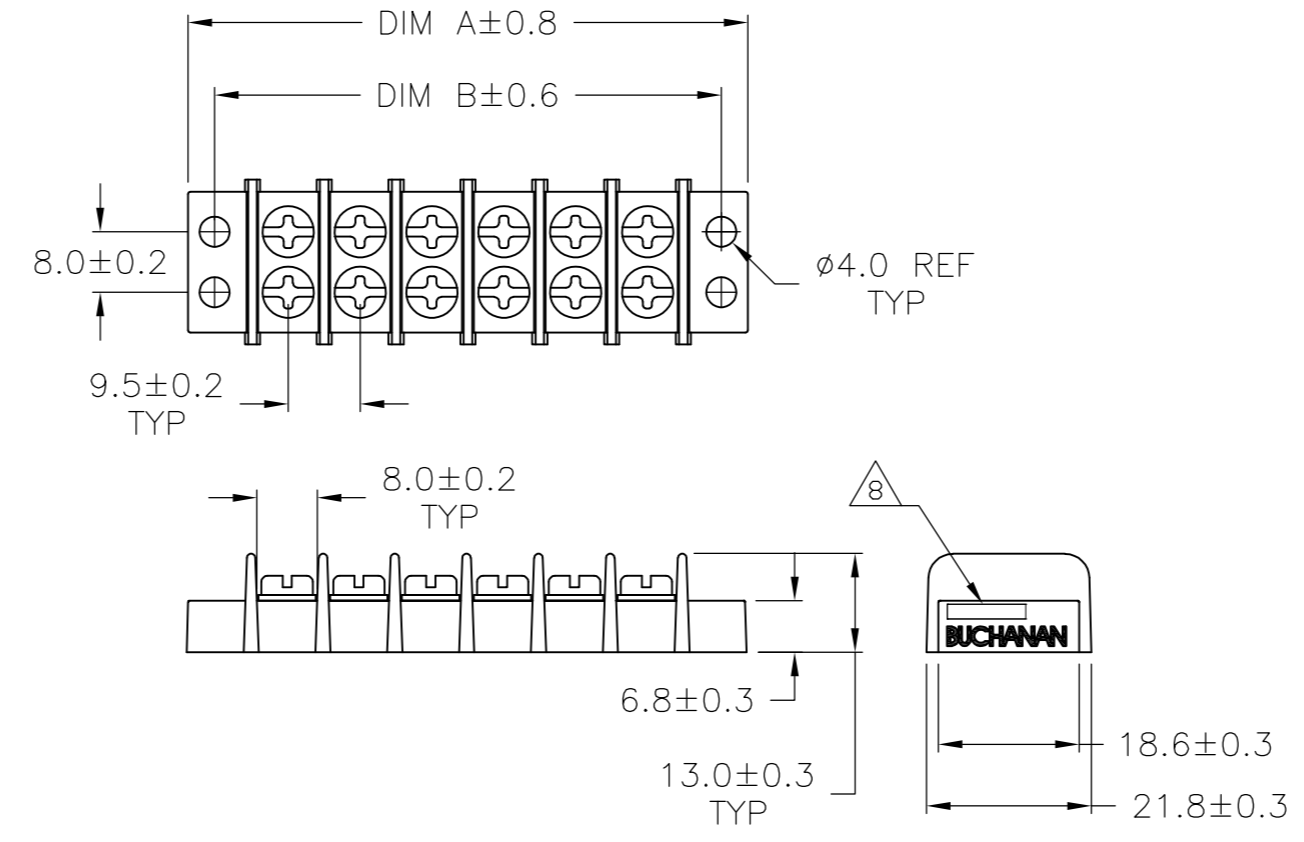
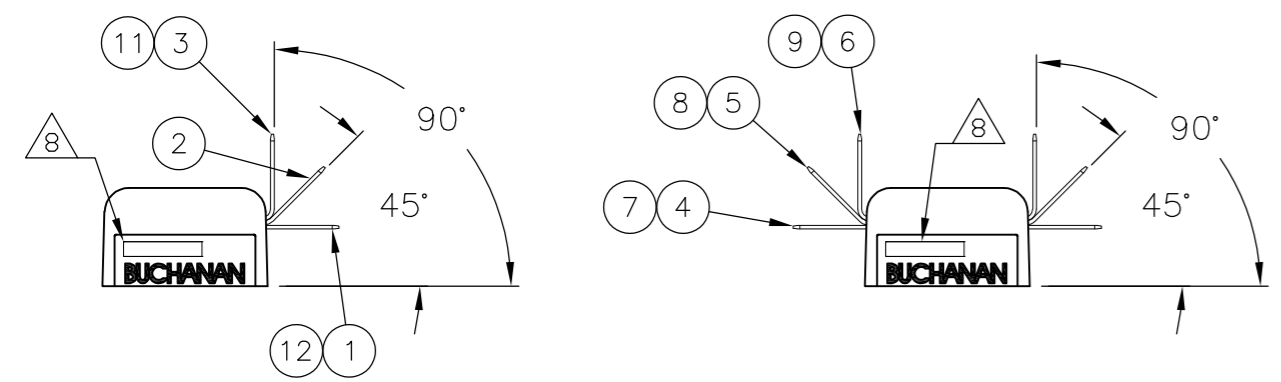
|                 |    |                     |    |                     |    |                    |    |        |   |                          |   |                          |   |                           |   |                          |   |                          |       |                           |             |                          |   |                          |   |                           |       |       |             |          |
|-----------------|----|---------------------|----|---------------------|----|--------------------|----|--------|---|--------------------------|---|--------------------------|---|---------------------------|---|--------------------------|---|--------------------------|-------|---------------------------|-------------|--------------------------|---|--------------------------|---|---------------------------|-------|-------|-------------|----------|
| -               | -  | -                   | -  | -                   | -  | -                  | -  | -      | - | -                        | - | -                        | - | -                         | - | -                        | - | 294.7                    | 302.2 | 30                        | 3-1546306-0 |                          |   |                          |   |                           |       |       |             |          |
| -               | -  | -                   | -  | -                   | -  | -                  | -  | -      | - | -                        | - | -                        | - | -                         | - | -                        | - | 285.2                    | 292.7 | 29                        | 2-1546306-9 |                          |   |                          |   |                           |       |       |             |          |
| -               | -  | -                   | -  | -                   | -  | -                  | -  | -      | - | -                        | - | -                        | - | -                         | - | -                        | - | 275.7                    | 283.2 | 28                        | 2-1546306-8 |                          |   |                          |   |                           |       |       |             |          |
| -               | -  | -                   | -  | -                   | -  | -                  | -  | -      | - | -                        | - | -                        | - | -                         | - | -                        | - | 266.2                    | 273.7 | 27                        | 2-1546306-7 |                          |   |                          |   |                           |       |       |             |          |
| -               | -  | -                   | -  | -                   | -  | -                  | -  | -      | - | -                        | - | -                        | - | -                         | - | -                        | - | 256.7                    | 264.2 | 26                        | 2-1546306-6 |                          |   |                          |   |                           |       |       |             |          |
| -               | -  | -                   | -  | -                   | -  | -                  | -  | -      | - | -                        | - | -                        | - | -                         | - | -                        | - | 247.2                    | 254.7 | 25                        | 2-1546306-5 |                          |   |                          |   |                           |       |       |             |          |
| -               | -  | -                   | -  | -                   | -  | -                  | -  | -      | - | -                        | - | -                        | - | -                         | - | -                        | - | 237.7                    | 245.2 | 24                        | 2-1546306-4 |                          |   |                          |   |                           |       |       |             |          |
| -               | -  | -                   | -  | -                   | -  | -                  | -  | -      | - | -                        | - | -                        | - | -                         | - | -                        | - | 228.2                    | 235.7 | 23                        | 2-1546306-3 |                          |   |                          |   |                           |       |       |             |          |
| -               | -  | -                   | -  | -                   | -  | -                  | -  | -      | - | -                        | - | -                        | - | -                         | - | -                        | - | 218.7                    | 226.2 | 22                        | 2-1546306-2 |                          |   |                          |   |                           |       |       |             |          |
| -               | -  | -                   | -  | -                   | -  | -                  | -  | -      | - | -                        | - | -                        | - | -                         | - | -                        | - | 209.2                    | 216.7 | 21                        | 2-1546306-1 |                          |   |                          |   |                           |       |       |             |          |
| 1/2 SPL MARKING | -  | -                   | -  | -                   | -  | -                  | -  | -      | - | -                        | - | -                        | - | -                         | - | -                        | - | 199.7                    | 207.2 | 20                        | 3-1546306-2 |                          |   |                          |   |                           |       |       |             |          |
| -               | -  | -                   | -  | -                   | -  | -                  | -  | -      | - | -                        | - | -                        | - | -                         | - | -                        | - | 199.7                    | 207.2 | 20                        | 2-1546306-0 |                          |   |                          |   |                           |       |       |             |          |
| -               | -  | -                   | -  | -                   | -  | -                  | -  | -      | - | -                        | - | -                        | - | -                         | - | -                        | - | 190.2                    | 197.7 | 19                        | 1-1546306-9 |                          |   |                          |   |                           |       |       |             |          |
| NOTES           | 13 | QC TAB .187 SS FLAT | 12 | QC TAB .187 SS FLAT | 11 | QC TAB .187 SS 90° | 10 | JUMPER | 9 | QC TAB DBL SIDE 90° .250 | 8 | QC TAB DBL SIDE 45° .250 | 7 | QC TAB DBL SIDE FLAT .250 | 6 | QC TAB DBL SIDE 90° .187 | 5 | QC TAB DBL SIDE 45° .187 | 4     | QC TAB DBL SIDE FLAT .187 | 3           | QC TAB SGL SIDE 90° .250 | 2 | QC TAB SGL SIDE 45° .250 | 1 | QC TAB SGL SIDE FLAT .250 | DIM B | DIM A | NO. OF POS. | PART NO. |

THIS DRAWING IS A CONTROLLED DOCUMENT.

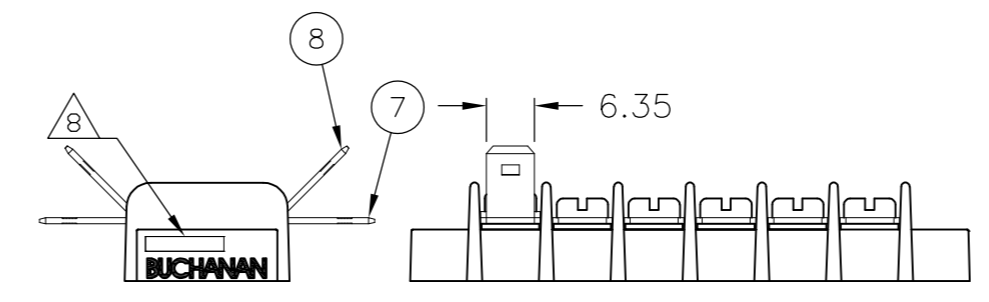
|                   |           |   |
|-------------------|-----------|---|
| DWN<br>S SCHLEGEL | 20AUG2002 | <b>STE</b><br>TE Connectivity                             |
| CHK<br>C RICHARD  | 8/20/02   |   |
| APVD<br>C RICHARD | 8/20/02   |   |
| PRODUCT SPEC      |           |   |
| APPLICATION SPEC  |           | NAME<br>9.50MM (.374) DBL ROW BARRIER STRIP<br>W/O WASHER |
| MATERIAL          |           | SIZE<br>A2  |
| FINISH            |           | CAGE CODE<br>00779  |
| WEIGHT            |           | DRAWING NO<br>1546306                                     |
| CUSTOMER DRAWING  |           | RESTRICTED TO   |
| SCALE<br>NTS      |           | SHEET<br>2 of 3   |
| REV<br>H2         |           |   |

THIS DRAWING IS UNPUBLISHED. RELEASED FOR PUBLICATION  
 © COPYRIGHT - By - ALL RIGHTS RESERVED.

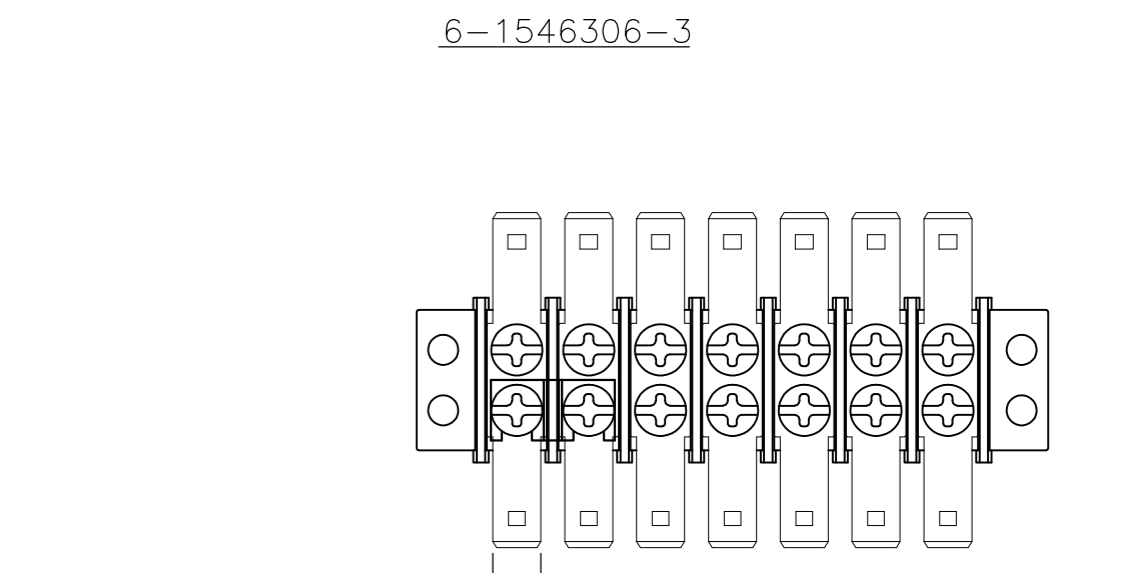
| LOC |     | DIST        |      | REVISIONS |      |  |  |
|-----|-----|-------------|------|-----------|------|--|--|
| P   | LTR | DESCRIPTION | DATE | DWN       | APVD |  |  |
| -   | -   | SEE SHEET 1 | -    | -         | -    |  |  |



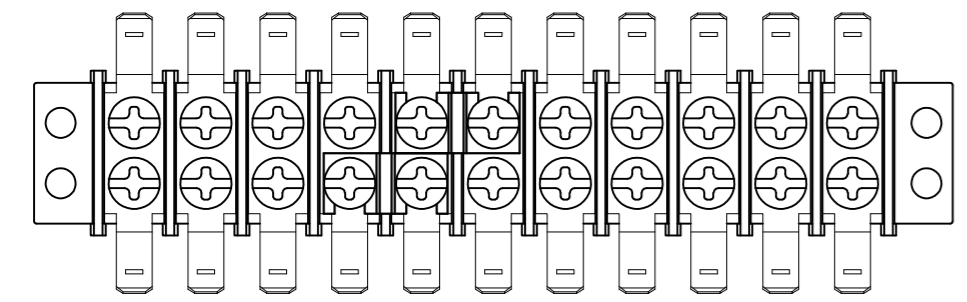
3-1546306-2



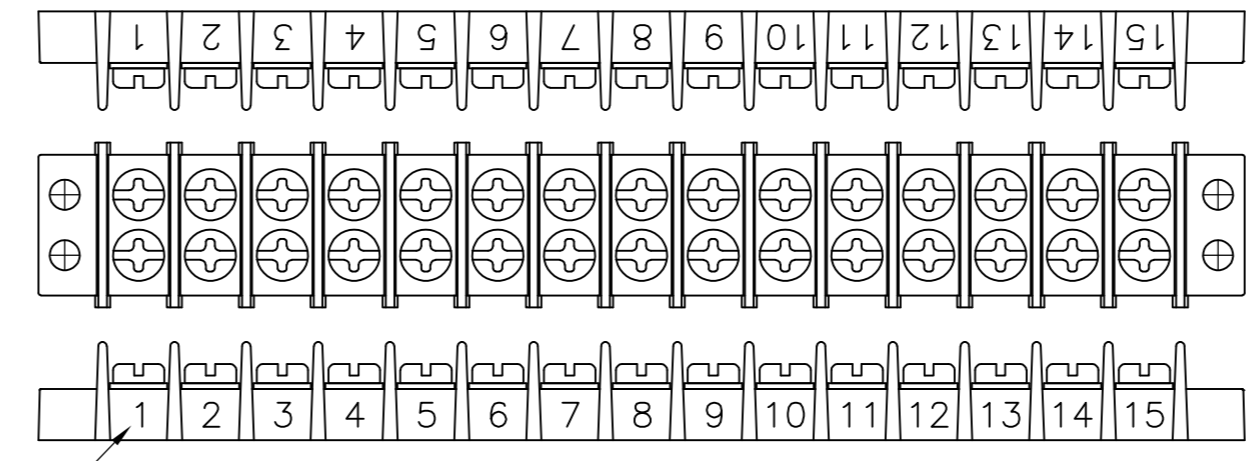
4-1546306-9



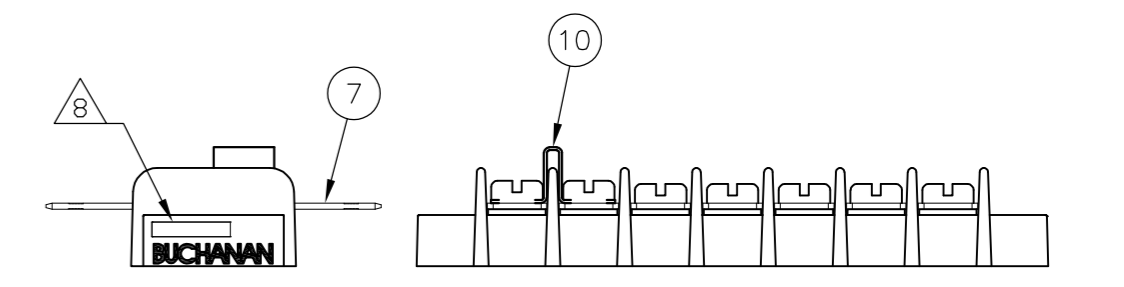
6-1546306-3



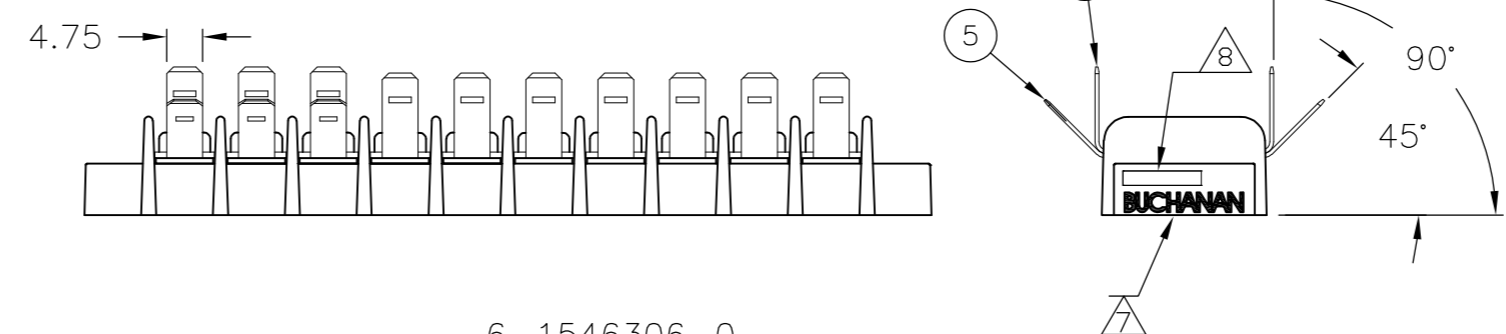
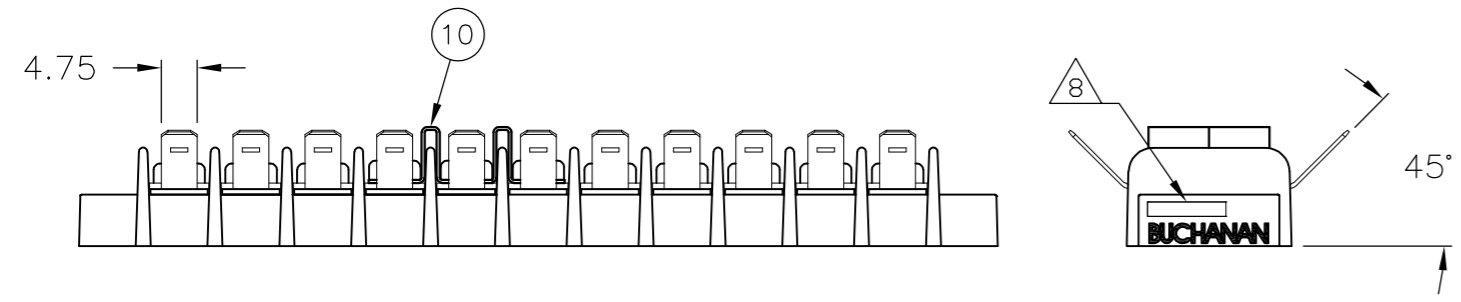
3-1546306-4



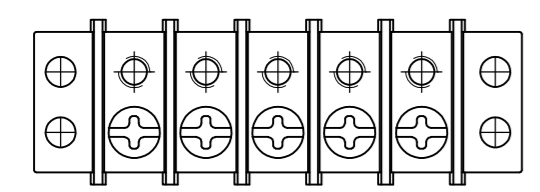
6-1546306-2



5-1546306-0



6-1546306-0



4-1546306-7

|  |  |                  |           |       |   |  |
|--|--|------------------|-----------|-------|---|--|
| THIS DRAWING IS A CONTROLLED DOCUMENT. |  | DWN              | 20AUG2002 |       | TE Connectivity   |  |
| DIMENSIONS: MM                         |  | S                | SCHLEGEL  |       |   |  |
| TOLERANCES UNLESS OTHERWISE SPECIFIED: |  | CHK              | 8/20/02   |       | NAME<br>9.50MM (.374) DBL ROW BARRIER STRIP<br>W/O WASHER |  |
| 0 PLC ± -                              |  | C                | RICHARD   |       |   |  |
| 1 PLC ± 0.3                            |  | APVD             | 8/20/02   |       | SIZE<br>A2  |  |
| 2 PLC ± 0.25                           |  | C                | RICHARD   |       |   |  |
| 3 PLC ± -                              |  | PRODUCT SPEC     |           |       | CAGE CODE<br>00779  |  |
| 4 PLC ± -                              |  | APPLICATION SPEC |           |       |   |  |
| ANGLES ± 2°                            |  | WEIGHT           |           |       | DRAWING NO<br>C=1546306                                   |  |
| FINISH                                 |  |                  |           |       |   |  |
| MATERIAL                               |  | CUSTOMER DRAWING |           | SCALE | RESTRICTED TO   |  |
|  |  |                  |           | NTS   | 3 OF 3  |  |
|  |  |                  |           | SHEET | REV H2  |  |

Компания «Life Electronics» занимается поставками электронных компонентов импортного и отечественного производства от производителей и со складов крупных дистрибьюторов Европы, Америки и Азии.

С конца 2013 года компания активно расширяет линейку поставок компонентов по направлению коаксиальный кабель, кварцевые генераторы и конденсаторы (керамические, пленочные, электролитические), за счёт заключения дистрибьюторских договоров

Мы предлагаем:

- Конкурентоспособные цены и скидки постоянным клиентам.
- Специальные условия для постоянных клиентов.
- Подбор аналогов.
- Поставку компонентов в любых объемах, удовлетворяющих вашим потребностям.
- Приемлемые сроки поставки, возможна ускоренная поставка.
- Доставку товара в любую точку России и стран СНГ.
- Комплексную поставку.
- Работу по проектам и поставку образцов.
- Формирование склада под заказчика.
- Сертификаты соответствия на поставляемую продукцию (по желанию клиента).
- Тестирование поставляемой продукции.
- Поставку компонентов, требующих военную и космическую приемку.
- Входной контроль качества.
- Наличие сертификата ISO.

В составе нашей компании организован Конструкторский отдел, призванный помогать разработчикам, и инженерам.

Конструкторский отдел помогает осуществить:

- Регистрацию проекта у производителя компонентов.
- Техническую поддержку проекта.
- Защиту от снятия компонента с производства.
- Оценку стоимости проекта по компонентам.
- Изготовление тестовой платы монтаж и пусконаладочные работы.



Тел: +7 (812) 336 43 04 (многоканальный)

Email: [org@lifeelectronics.ru](mailto:org@lifeelectronics.ru)