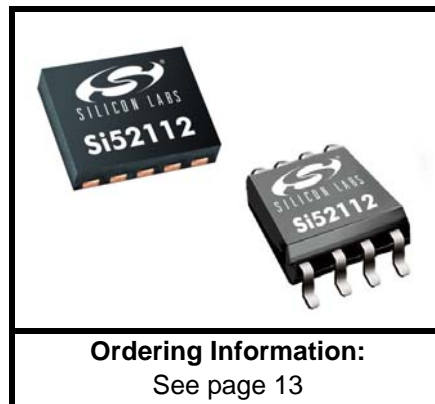


## PCI-EXPRESS GEN 1 DUAL OUTPUT CLOCK GENERATOR

### Features

- PCI-Express Gen 1 compliant
- Low power HCSL differential output buffers
- Supports Serial-ATA (SATA) at 100 MHz
- No termination resistors required
- 25 MHz Crystal Input or Clock input
- Triangular spread spectrum profile for maximum EMI reduction (Si52112-A2)
- Extended Temperature: -40 to 85 °C
- 3.3 V Power supply
- Small package 10-pin TDFN (3x3 mm)
- Si52112-A1 does not support spread spectrum outputs
- Si52112-A2 supports 0.5% down spread outputs
- For PCIe Gen 2 applications, see Si52112-B3/B4
- For PCIe Gen 3 applications, see Si52112-B5/B6

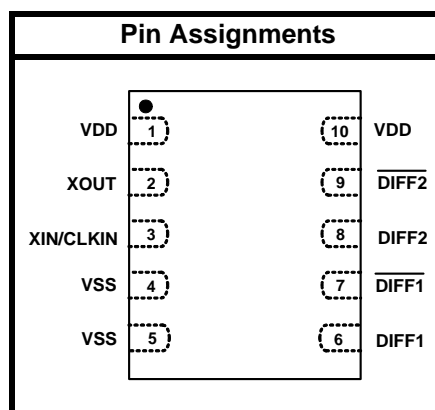


### Applications

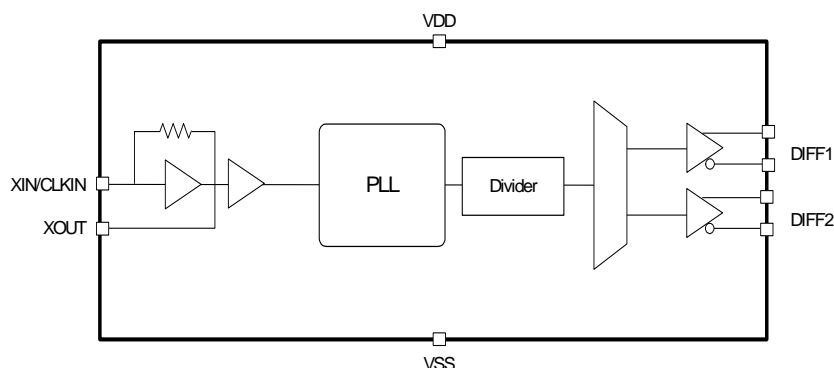
- Network Attached Storage
- Multi-function Printer
- Wireless Access Point
- Routers

### Description

Si52112-A1/A2 is a high-performance, PCIe clock generator that can source two PCIe clocks from a 25 MHz crystal or clock input. The clock outputs are compliant to PCIe Gen 1 specifications. The ultra-small footprint (3x3 mm) and industry leading low power consumption make Si52112-A1/A2 the ideal clock solution for consumer and embedded applications.



Patents pending





---

**TABLE OF CONTENTS**

---

<b><u>Section</u></b>	<b><u>Page</u></b>
<b>1. Electrical Specifications</b> .....	<b>4</b>
<b>2. Crystal Recommendations</b> .....	<b>7</b>
2.1. Crystal Loading .....	7
2.2. Calculating Load Capacitors .....	8
<b>3. Test and Measurement Setup</b> .....	<b>9</b>
<b>4. Pin Descriptions</b> .....	<b>11</b>
4.1. 10-Pin TDFN .....	11
4.2. 8-Pin TSSOP .....	12
<b>5. Ordering Guide</b> .....	<b>13</b>
<b>6. Package Outlines</b> .....	<b>14</b>
6.1. TDFN Package .....	14
6.2. TSSOP Package .....	16
<b>7. Recommended Design Guideline</b> .....	<b>18</b>
<b>Document Change List</b> .....	<b>19</b>
<b>Contact Information</b> .....	<b>20</b>

# Si52112-A1/A2

---

## 1. Electrical Specifications

**Table 1. Recommended Operating Conditions**

Parameter	Symbol	Test Condition	Min	Typ	Max	Unit
Supply Voltage (extended)	$V_{DD(extended)}$	3.3 V $\pm$ 5%	3.13	3.3	3.46	V
Supply Voltage (commercial)	$V_{DD(commercial)}$	3.3 V $\pm$ 10%	2.97	3.3	3.63	V

**Table 2. DC Electrical Specifications**

Parameter	Symbol	Test Condition	Min	Typ	Max	Unit
Operating Voltage	$V_{DD}$	3.3 V $\pm$ 10%	2.97	3.30	3.63	V
Operating Supply Current	$I_{DD}$	Full Active	—	—	17	mA
Input Pin Capacitance	$C_{IN}$	Input Pin Capacitance	—	3	5	pF
Output Pin Capacitance	$C_{OUT}$	Output Pin Capacitance	—	—	5	pF

Table 3. AC Electrical Specifications

Parameter	Symbol	Test Condition	Min	Typ	Max	Unit
<b>Crystal</b>						
Long-term Accuracy	$L_{ACC}$	Measured at $V_{DD}/2$ differential	—	—	250	ppm
<b>Clock Input</b>						
CLKIN Duty Cycle	$T_{DC}$	Measured at $V_{DD}/2$	45	—	55	%
CLKIN Rise and Fall Times	$T_R/T_F$	Measured between $0.2 V_{DD}$ and $0.8 V_{DD}$	0.5	—	4.0	V/ns
CLKIN Cycle-to-Cycle Jitter	$T_{CCJ}$	Measured at $V_{DD}/2$	—	—	250	ps
CLKIN Long Term Jitter	$T_{LTJ}$	Measured at $V_{DD}/2$	—	—	350	ps
Input High Voltage	$V_{IH}$	XIN/CLKIN pin	2	—	$V_{DD}+0.3$	V
Input Low Voltage	$V_{IL}$	XIN/CLKIN pin	—	—	0.8	V
Input High Current	$I_{IH}$	XIN/CLKIN pin, $V_{IN} = V_{DD}$	—	—	35	uA
Input Low Current	$I_{IL}$	XIN/CLKIN pin, $0 < V_{IN} < 0.8$	-35	—	—	uA
<b>DIFF Clocks</b>						
Duty Cycle	$T_{DC}$	Measured at 0 V differential	45	—	55	%
Skew	$T_{SKEW}$	Measured at 0 V differential	—	—	60	ps
Output Frequency	$F_{OUT}$	$V_{DD} = 3.3$ V	—	100	—	MHz
Frequency Accuracy	$F_{ACC}$	All output clocks	—	—	100	ppm
Slew Rate	$t_{r/f2}$	Measured differentially from $\pm 150$ mV	0.6	—	4.0	V/ns
Cycle-to-Cycle Jitter	$T_{CCJ}$	Measured at 0 V differential	—	28	70	ps
PCIe Gen 1 Pk-Pk Jitter	$Pk-Pk_{GEN1}$	PCIe Gen 1	—	24	86	ps
Crossing Point Voltage at 0.7 V Swing	$V_{OX}$		300	—	550	mV
Voltage High	$V_{HIGH}$		—	—	1.15	V
Voltage Low	$V_{LOW}$		-0.3	—	—	V
Spread Range	$S_{RNG}$	Down Spread, -A2 only	—	-0.5	—	%
Modulation Frequency	$F_{MOD}$	-A2 only	30	31.5	33	kHz
<b>Enable/Disable and Set-up</b>						
Clock Stabilization from Power-up	$T_{STABLE}$		—	—	3	ms
Stopclock Set-up Time	$T_{SS}$		10.0	—	—	ns
<b>Note:</b> Visit <a href="http://www.pcsig.com">www.pcsig.com</a> for complete PCIe specifications.						

**Table 4. Thermal Conditions**

Parameter	Symbol	Test Condition	Min	Typ	Max	Unit
Temperature, Storage	$T_S$	Non-functional	-65	—	150	°C
Temperature, Operating Ambient	$T_A$	Functional	-40	—	85	°C
Temperature, Junction	$T_J$	Functional	—	—	150	°C
Dissipation, Junction to Case (TDFN)	$\theta_{JC}$	JEDEC (JESD 51)	—	—	38.3	°C/W
Dissipation, Junction to Case (TSSOP)	$\theta_{JC}$	JEDEC (JESD 51)	—	—	37.0	°C/W
Dissipation, Junction to Ambient (TDFN)	$\theta_{JA}$	JEDEC (JESD 51)	—	—	90.4	°C/W
Dissipation, Junction to Ambient (TSSOP)	$\theta_{JA}$	JEDEC (JESD 51)	—	—	124.0	°C/W

**Table 5. Absolute Maximum Conditions**

Parameter	Symbol	Test Condition	Min	Typ	Max	Unit
Main Supply Voltage	$V_{DD\_3.3V}$		—	—	4.6	V
Input Voltage	$V_{IN}$	Relative to $V_{SS}$	-0.5	—	4.6	$V_{DC}$
ESD Protection (Human Body Model)	$ESD_{HBM}$	JEDEC (JESD 22 - A114)	2000	—	—	V
Flammability Rating	UL-94	UL (Class)	V-0			

**Note:** While using multiple power supplies, the voltage on any input or I/O pin cannot exceed the power pin during power-up. Power supply sequencing is not required.

## 2. Crystal Recommendations

If using a crystal input, the device requires a parallel resonance crystal.

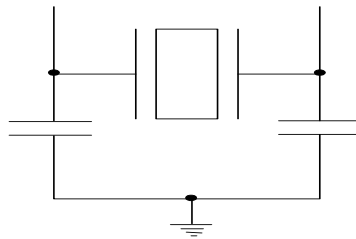
**Table 6. Crystal Recommendations**

Frequency (Fund)	Cut	Loading	Load Cap	ESR	Drive	Shunt Cap (max)	Motional (max)	Tolerance (max)	Stability (max)	Aging (max)
25 MHz	AT	Parallel	12–15 pF	<50 $\Omega$	>150 $\mu$ W	5 pF	0.016 pF	35 ppm	30 ppm	5 ppm

### 2.1. Crystal Loading

Crystal loading is critical in achieving low ppm performance. To realize low ppm performance, use the total capacitance the crystal sees to calculate the appropriate capacitive loading ( $C_L$ ).

Figure 1 shows a typical crystal configuration using two trim capacitors. It is important that the trim capacitors are in series with the crystal.



**Figure 1. Crystal Capacitive Clarification**

## 2.2. Calculating Load Capacitors

In addition to the standard external trim capacitors, consider the trace capacitance and pin capacitance to calculate the crystal loading correctly. Again, the capacitance on each side is in series with the crystal. The total capacitance on both sides is twice the specified crystal load capacitance ( $C_L$ ). Trim capacitors are calculated to provide equal capacitive loading on both sides.



**Figure 2. Crystal Loading Example**

Use the following formulas to calculate the trim capacitor values for  $C_{e1}$  and  $C_{e2}$ .

### Load Capacitance (each side)

$$C_e = 2 \times C_L - (C_s + C_i)$$

### Total Capacitance (as seen by the crystal)

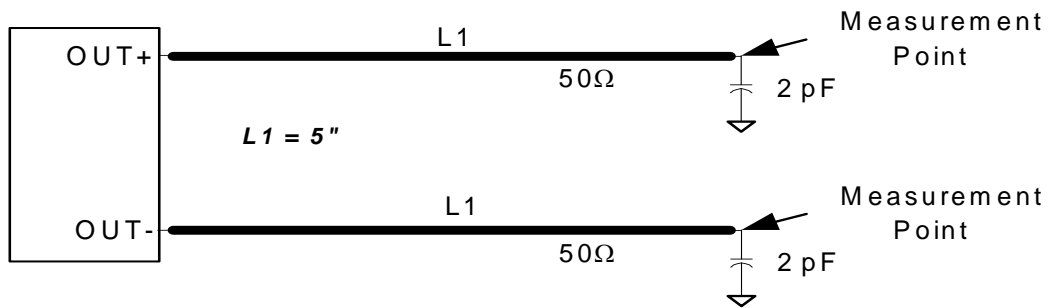
$$C_{Le} = \frac{1}{\left( \frac{1}{C_{e1} + C_{s1} + C_{i1}} + \frac{1}{C_{e2} + C_{s2} + C_{i2}} \right)}$$

- $C_L$ : Crystal load capacitance
- $C_{Le}$ : Actual loading seen by crystal using standard value trim capacitors
- $C_e$ : External trim capacitors
- $C_s$ : Stray capacitance (terraced)
- $C_i$ : Internal capacitance (lead frame, bond wires, etc.)

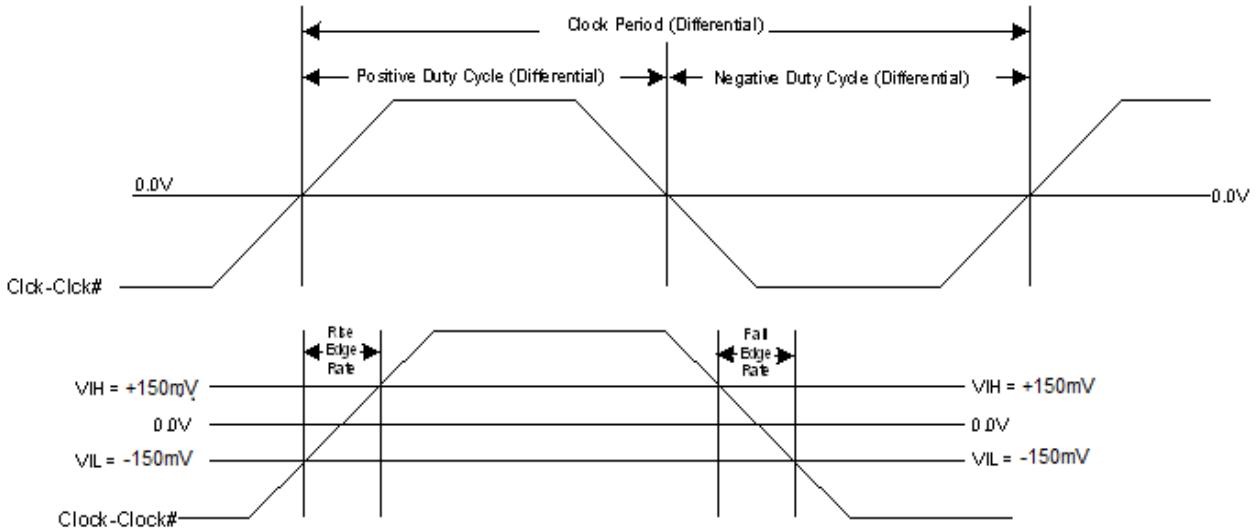


### 3. Test and Measurement Setup

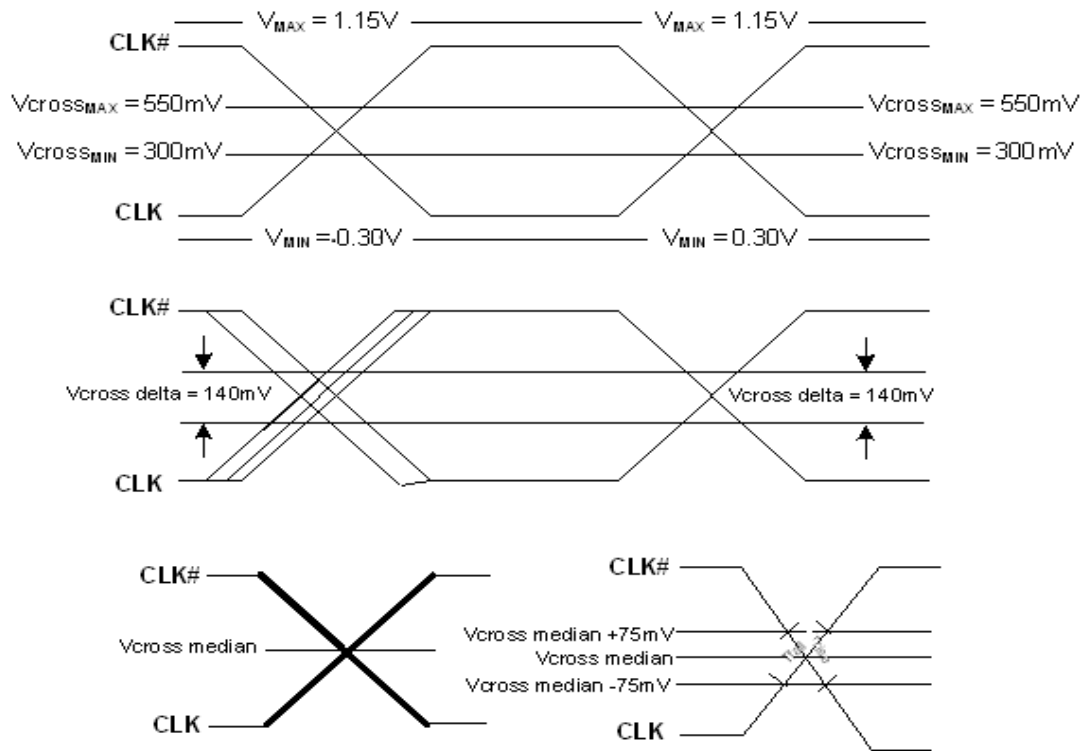
Figures 3 through 5 show the test load configuration for the differential clock signals.



**Figure 3. 0.7 V Differential Load Configuration**



**Figure 4. Differential Measurement for Differential Output Signals (for AC Parameters Measurement)**



**Figure 5. Single-ended Measurement for Differential Output Signals (for AC Parameters Measurement)**

## 4. Pin Descriptions

### 4.1. 10-Pin TDFN

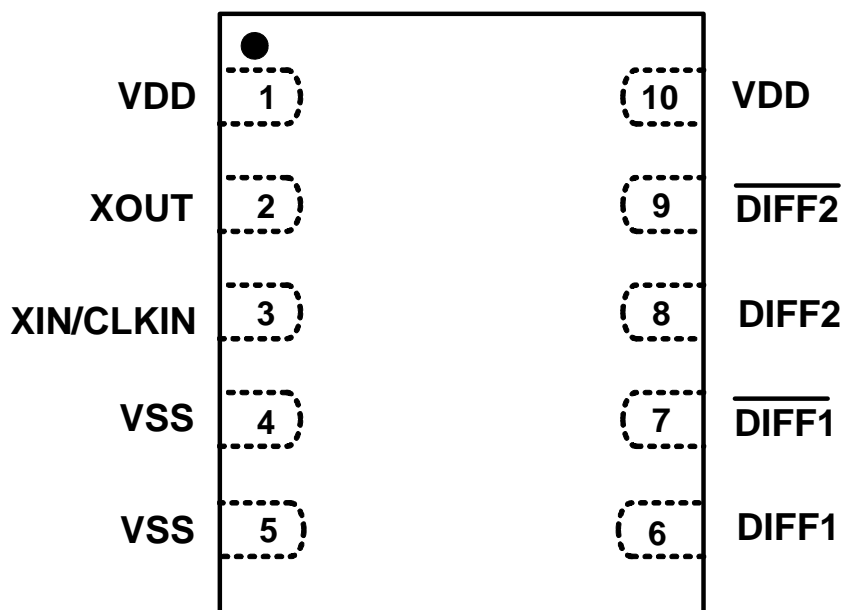


Figure 6. 10-Pin TDFN

Table 7. 10-Pin TDFN Descriptions

Pin #	Name	Type	Description
1	VDD	PWR	3.3 V power supply.
2	XOUT	O	25.00 MHz crystal output, Float XOUT if using only CLKIN (clock input).
3	XIN/CLKIN	I	25.00 MHz crystal input or 3.3 V, 25 MHz clock Input.
4	VSS	GND	Ground.
5	VSS	GND	Ground.
6	DIFF1	O, DIF	0.7 V, 100 MHz differential clock output.
7	$\overline{\text{DIFF1}}$	O, DIF	0.7 V, 100 MHz differential clock output.
8	DIFF2	O, DIF	0.7 V, 100 MHz differential clock output.
9	$\overline{\text{DIFF2}}$	O, DIF	0.7 V, 100 MHz differential clock output.
10	VDD	PWR	3.3 V power supply.

# Si52112-A1/A2

## 4.2. 8-Pin TSSOP

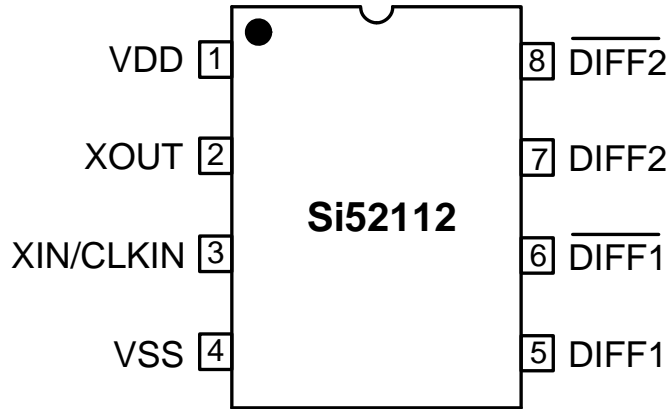


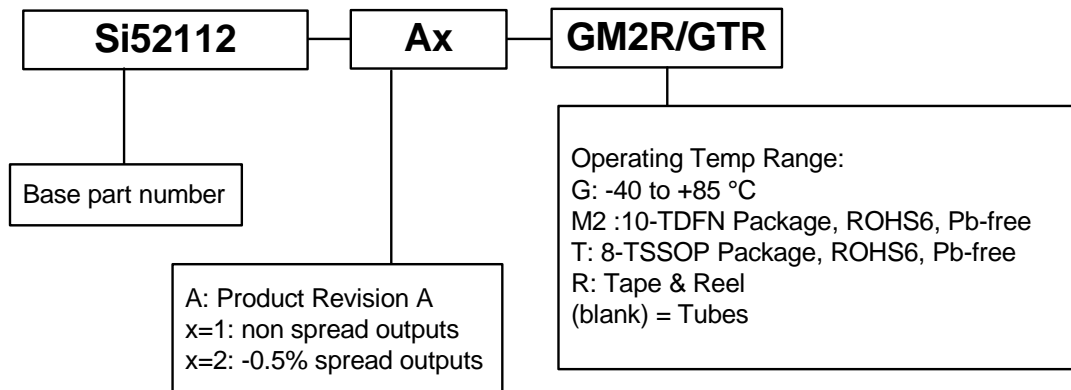
Figure 7. 8-Pin TSSOP

Table 8. 8-Pin TSSOP Descriptions

Pin #	Name	Type	Description
1	VDD	PWR	3.3 V Power supply.
2	XOUT	O	25.00 MHz crystal output, Float XOUT if using only CLKIN (clock input).
3	XIN/CLKIN	I	25.00 MHz crystal input or 3.3 V, 25 MHz clock Input.
4	VSS	GND	Ground.
5	DIFF1	O, DIF	0.7 V, 100 MHz differentials clock.
6	$\overline{\text{DIFF1}}$	O, DIF	0.7 V, 100 MHz differentials clock.
7	DIFF2	O, DIF	0.7 V, 100 MHz differentials clock.
8	$\overline{\text{DIFF2}}$	O, DIF	0.7 V, 100 MHz differentials clock.

## 5. Ordering Guide

Part Number	Spread Option	Package Type	Temperature
Si52112-A1-GM2	No Spread	10-pin TDFN	Extended, -40 to 85 °C
Si52112-A1-GM2R	No Spread	10-pin TDFN—Tape and Reel	Extended, -40 to 85 °C
Si52112-A1-GT	No Spread	8-pin TSSOP	Extended, -40 to 85 °C
Si52112-A1-GTR	No Spread	8-pin TSSOP - Tape and Reel	Extended, -40 to 85 °C
Si52112-A2-GM2	-0.5% Spread	10-pin TDFN	Extended, -40 to 85 °C
Si52112-A2-GM2R	-0.5% Spread	10-pin TDFN—Tape and Reel	Extended, -40 to 85 °C
Si52112-A2-GT	-0.5% Spread	8-pin TSSOP	Extended, -40 to 85 °C
Si52112-A2-GTR	-0.5% Spread	8-pin TSSOP - Tape and Reel	Extended, -40 to 85 °C



**Figure 8. Ordering Information**

## 6. Package Outlines

### 6.1. TDFN Package

Figure 9 illustrates the package details for the 10-pin TDFN. Table 9 lists the values for the dimensions shown in the illustration.

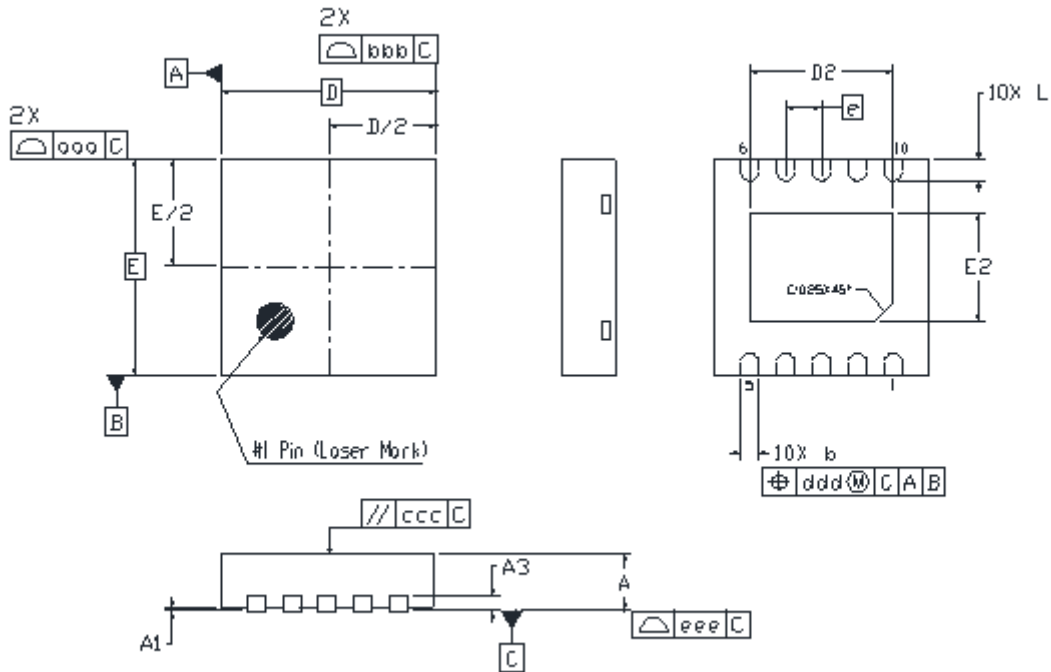


Figure 9. 10-Pin TDFN Package Drawing

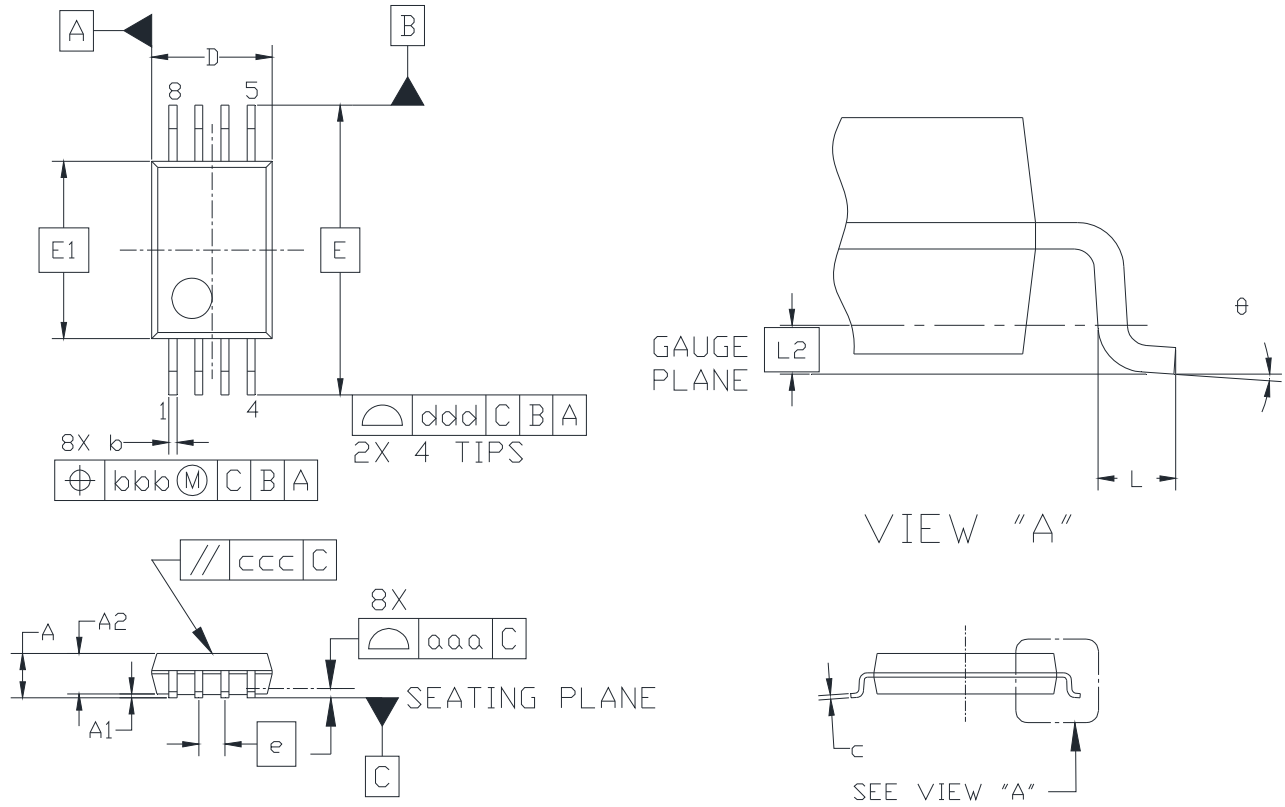
Table 9. TDFN Package Diagram Dimensions

Symbol	Min	Nom	Max
A	0.70	0.75	0.80
A1	0.00	0.02	0.05
A3	0.20 REF.		
b	0.18	0.25	0.30
D	3.00 BSC.		
D2	1.90	2.00	2.10
e	0.50 BSC		
E	3.00 BSC		
E2	1.40	1.50	1.60
L	0.25	0.30	0.35
aaa	0.10		
bbb	0.10		
ccc	0.10		
ddd	0.10		
eee	0.08		
<b>Notes:</b>			
1. All dimensions shown are in millimeters (mm) unless otherwise noted.			
2. Dimensioning and Tolerancing per ANSI Y14.5M-1994.			
3. Recommended card reflow profile is per the JEDEC/IPC J-STD-020 specification for Small Body Components.			
4. This drawing conforms to the JEDEC Solid State Outline MO-229.			

# Si52112-A1/A2

## 6.2. TSSOP Package

Figure 10 illustrates the package details for the 8-pin TSSOP. Table 10 lists the values for the dimensions shown in the illustration.



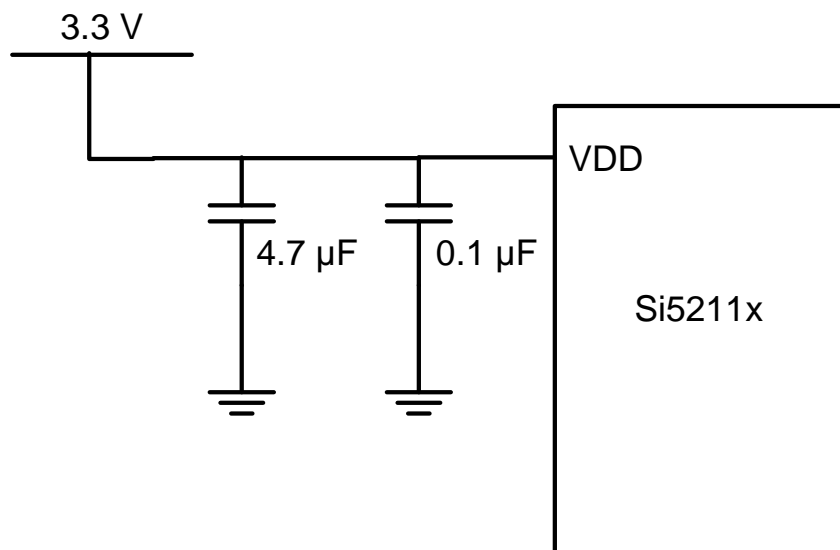
**Figure 10. 8-Pin TSSOP Package Drawing**



Table 10. TSSOP Package Diagram Dimensions

Symbol	Min	Nom	Max
A	—	—	1.20
A1	0.05	—	0.15
A2	0.80	0.90	1.05
b	0.19	—	0.30
c	0.09	—	0.20
D	2.90	3.00	3.10
E	6.40 BSC		
E1	4.30	4.40	4.50
e	0.65 BSC		
L	0.45	0.60	0.75
L2	0.25 BSC		
$\theta$	0°	—	8°
aaa	0.10		
bbb	0.10		
ccc	0.05		
ddd	0.20		
<b>Notes:</b>			
<ol style="list-style-type: none"> <li>1. All dimensions shown are in millimeters (mm) unless otherwise noted.</li> <li>2. Dimensioning and Tolerancing per ANSI Y14.5M-1994.</li> <li>3. This drawing conforms to the JEDEC Solid State Outline MO-153, Variation AA.</li> <li>4. Recommended card reflow profile is per the JEDEC/IPC J-STD-020C specification for Small Body Components.</li> </ol>			

## 7. Recommended Design Guideline



**Note:** FB Specifications:  
DC resistance 0.1–0.3 Ω  
Impedance at 100 MHz  $\geq$  1000 Ω

**Figure 11. Recommended Application Schematic**

## DOCUMENT CHANGE LIST

### Revision 1.0 to Revision 1.1

- Removed references to Gen 2.
- Updated package outlines.

### Revision 1.1 to Revision 1.2

- Added “4.2. 8-Pin TSSOP” pin description on page 12.

## CONTACT INFORMATION

### Silicon Laboratories Inc.

400 West Cesar Chavez  
Austin, TX 78701  
Tel: 1+(512) 416-8500  
Fax: 1+(512) 416-9669  
Toll Free: 1+(877) 444-3032

Please visit the Silicon Labs Technical Support web page:  
<https://www.silabs.com/support/pages/contacttechnicalsupport.aspx>  
and register to submit a technical support request.

### Patent Notice

Silicon Labs invests in research and development to help our customers differentiate in the market with innovative low-power, small size, analog-intensive mixed-signal solutions. Silicon Labs' extensive patent portfolio is a testament to our unique approach and world-class engineering team.

The information in this document is believed to be accurate in all respects at the time of publication but is subject to change without notice. Silicon Laboratories assumes no responsibility for errors and omissions, and disclaims responsibility for any consequences resulting from the use of information included herein. Additionally, Silicon Laboratories assumes no responsibility for the functioning of undescribed features or parameters. Silicon Laboratories reserves the right to make changes without further notice. Silicon Laboratories makes no warranty, representation or guarantee regarding the suitability of its products for any particular purpose, nor does Silicon Laboratories assume any liability arising out of the application or use of any product or circuit, and specifically disclaims any and all liability, including without limitation consequential or incidental damages. Silicon Laboratories products are not designed, intended, or authorized for use in applications intended to support or sustain life, or for any other application in which the failure of the Silicon Laboratories product could create a situation where personal injury or death may occur. Should Buyer purchase or use Silicon Laboratories products for any such unintended or unauthorized application, Buyer shall indemnify and hold Silicon Laboratories harmless against all claims and damages.

Silicon Laboratories and Silicon Labs are trademarks of Silicon Laboratories Inc.  
Other products or brandnames mentioned herein are trademarks or registered trademarks of their respective holders.

Компания «Life Electronics» занимается поставками электронных компонентов импортного и отечественного производства от производителей и со складов крупных дистрибьюторов Европы, Америки и Азии.

С конца 2013 года компания активно расширяет линейку поставок компонентов по направлению коаксиальный кабель, кварцевые генераторы и конденсаторы (керамические, пленочные, электролитические), за счёт заключения дистрибьюторских договоров

Мы предлагаем:

- Конкурентоспособные цены и скидки постоянным клиентам.
- Специальные условия для постоянных клиентов.
- Подбор аналогов.
- Поставку компонентов в любых объемах, удовлетворяющих вашим потребностям.
- Приемлемые сроки поставки, возможна ускоренная поставка.
- Доставку товара в любую точку России и стран СНГ.
- Комплексную поставку.
- Работу по проектам и поставку образцов.
- Формирование склада под заказчика.
- Сертификаты соответствия на поставляемую продукцию (по желанию клиента).
- Тестирование поставляемой продукции.
- Поставку компонентов, требующих военную и космическую приемку.
- Входной контроль качества.
- Наличие сертификата ISO.

В составе нашей компании организован Конструкторский отдел, призванный помогать разработчикам, и инженерам.

Конструкторский отдел помогает осуществить:

- Регистрацию проекта у производителя компонентов.
- Техническую поддержку проекта.
- Защиту от снятия компонента с производства.
- Оценку стоимости проекта по компонентам.
- Изготовление тестовой платы монтаж и пусконаладочные работы.



Тел: +7 (812) 336 43 04 (многоканальный)  
Email: [org@lifeelectronics.ru](mailto:org@lifeelectronics.ru)