



| Parameter   | Rating | Units            |
|---|--------|------------------|
| AC Operating Voltage  | 120    | V <sub>rms</sub> |
| Load Current  | 1      | A <sub>rms</sub> |
| On-State Voltage Drop<br>(I <sub>L</sub> =1A <sub>rms</sub> ) | 1.2    | V <sub>rms</sub> |

### Features

- Load Current up to 1A<sub>rms</sub>
- Blocking Voltages up to 400V<sub>p</sub>
- 3750V<sub>rms</sub> Input to Output Isolation
- 5mA Sensitivity
- Zero-Crossing Detection
- DC Control, AC Output
- Optically Isolated
- TTL and CMOS Compatible
- Low EMI and RFI Generation
- High Noise Immunity
- VDE compatible
- Machine Insertable, Wave Solderable

### Applications

- Programmable Control
- Process Control
- Power Control Panels
- Remote Switching
- Gas Pump Electronics
- Contactors
- Large Relays
- Solenoids
- Motors
- Heaters

### Description

The PD1201 is an AC Solid State Switch using optical coupling with dual power SCR outputs to produce an alternative to optocoupler and Triac circuits. The PD1201 switches are robust enough to provide a blocking voltage of up to 400V<sub>p</sub> and max surge current rating of 20A. In addition, tightly controlled zero-cross circuitry ensures switching of AC loads without the generation of transients. The input and output circuits are optically coupled to provide 3750V<sub>rms</sub> of isolation and noise immunity between control and load circuits. As a result the PD1201 is well suited for industrial environments where electromagnetic interference would disrupt the operation of electromechanical relays.

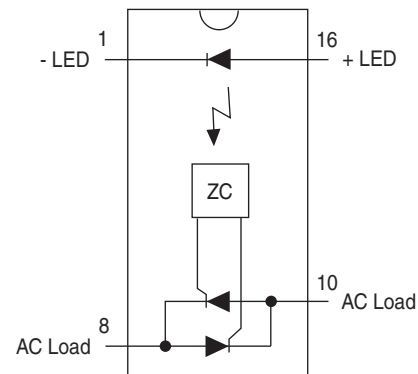
### Approvals

- UL Recognized Component: UL 508 File E69938
- CSA Certified Component: File 043639

### Ordering Information

| Part # | Description                               |
|--------|---|
| PD1201 | 4-Pin (16-Pin Body) DIP Package (25/Tube) |

### Pin Configuration



**Absolute Maximum Ratings @ 25°C**

| Parameter                              | Min  | Max  | Units            |
|--|------|------|------------------|
| Blocking Voltage                       | -    | 400  | V <sub>P</sub>   |
| Reverse Input Voltage                  | -    | 5    | V                |
| Input Control Current                  | -    | 100  | mA               |
| Peak (10ms)                            | -    | 1    | A                |
| Input Power Dissipation <sup>1</sup>   | -    | 150  | mW               |
| Total Package Dissipation <sup>2</sup> | -    | 1600 | mW               |
| Isolation Voltage, Input to Output     | 3750 | -    | V <sub>rms</sub> |
| Operational Temperature                | -40  | +85  | °C               |
| Storage Temperature                    | -40  | +125 | °C               |

Absolute Maximum Ratings are stress ratings. Stresses in excess of these ratings can cause permanent damage to the device. Functional operation of the device at conditions beyond those indicated in the operational sections of this data sheet is not implied.

<sup>1</sup> Derate linearly 1.33 mW / °C

<sup>2</sup> Derate linearly 16.6 mW / °C

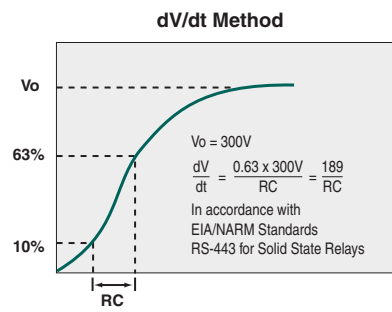
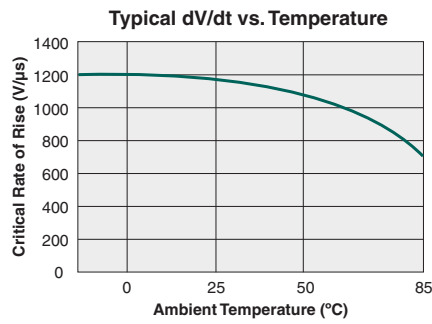
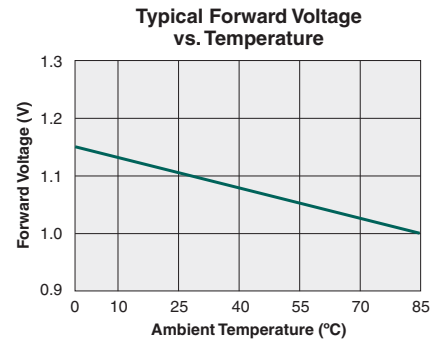
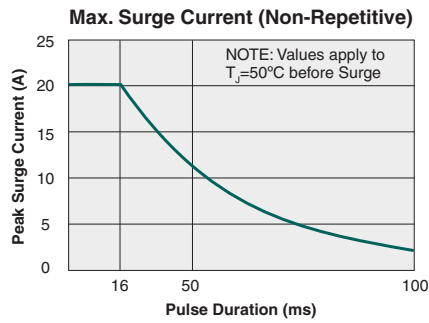
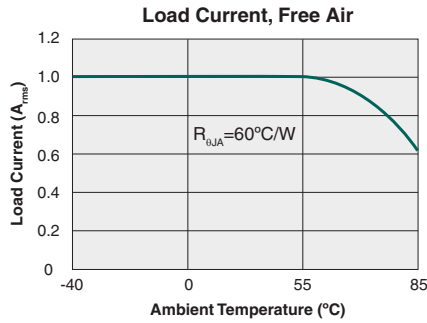
**Electrical Characteristics @ 25°C**

| Parameter   | Conditions                          | Symbol            | Min   | Typ  | Max | Units            |
|---|-------------------------------------|-------------------|-------|------|-----|------------------|
| <b>Output Characteristics</b>                         |                                     |                   |       |      |     |                  |
| AC Operating Voltage                                  | I <sub>F</sub> =5mA                 | V <sub>OP</sub>   | 20    | -    | 120 | V <sub>rms</sub> |
| Load Current (Continuous)                             | V <sub>L</sub> =120-240VAC          | I <sub>L</sub>    | 0.005 | -    | 1   | A <sub>rms</sub> |
| Maximum Surge Current                                 | t <sub>≤</sub> 16ms                 | I <sub>PEAK</sub> | -     | -    | 20  | A                |
| Off-State Leakage Current                             | V <sub>L</sub> =400V <sub>DC</sub>  | I <sub>LEAK</sub> | -     | -    | 1   | mA               |
| On-State Voltage Drop                                 | I <sub>L</sub> =1.0A <sub>rms</sub> | -                 | -     | -    | 1.2 | V <sub>rms</sub> |
| Critical Rate of Rise                                 | -                                   | dV/dt             | 1000  | 1200 | -   | V/μs             |
| Switching Speeds                                      |                                     |                   |       |      |     |                  |
| Turn-On   | I <sub>F</sub> =5mA                 | t <sub>on</sub>   | -     | -    | 0.5 | Cycles           |
| Turn-Off  |                                     | t <sub>off</sub>  | -     | -    | 0.5 |                  |
| Zero-Cross Turn-On Voltage <sup>1</sup>               | 1 <sup>st</sup> half-cycle          | -                 | -     | 2    | 5   | V                |
|   | Subsequent half-cycle               | -                 | -     | -    | 1   | V                |
| Operating Frequency                                   | -                                   | -                 | 20    | -    | 500 | Hz               |
| Load Power Factor for Guaranteed Turn-On <sup>2</sup> | -                                   | PF                | 0.25  | -    | -   | -                |
| Capacitance Input-To-Output                           | -                                   | C <sub>I/O</sub>  | -     | 3    | -   | pF               |
| <b>Input Characteristics</b>                          |                                     |                   |       |      |     |                  |
| Input Control Current                                 |                                     |                   |       |      |     |                  |
| For Normal Environment                                | -                                   | I <sub>F</sub>    | -     | -    | 5   | mA               |
| For High Noise Environment                            | -                                   |                   | -     | -    | 10  |                  |
| Input Voltage Drop                                    | I <sub>F</sub> =5mA                 | V <sub>F</sub>    | 0.9   | 1.2  | 1.4 | V                |
| Input Dropout Voltage                                 | -                                   | -                 | 0.8   | -    | -   | V                |
| Reverse Input Current                                 | V <sub>R</sub> =5V                  | I <sub>R</sub>    | -     | -    | 10  | μA               |

<sup>1</sup> Zero Cross 1<sup>st</sup> half-cycle @ < 100Hz.

<sup>2</sup> Snubber circuits may be required at low power factors.

PERFORMANCE DATA @ 25°C (Unless Otherwise Noted) \*



\*The Performance data shown in the graphs above is typical of device performance. For guaranteed parameters not indicated in the written specifications, please contact our application department.

**Manufacturing Information**

**Moisture Sensitivity**



All plastic encapsulated semiconductor packages are susceptible to moisture ingress. IXYS Integrated Circuits Division classified all of its plastic encapsulated devices for moisture sensitivity according to the latest version of the joint industry standard, **IPC/JEDEC J-STD-020**, in force at the time of product evaluation. We test all of our products to the maximum conditions set forth in the standard, and guarantee proper operation of our devices when handled according to the limitations and information in that standard as well as to any limitations set forth in the information or standards referenced below.

Failure to adhere to the warnings or limitations as established by the listed specifications could result in reduced product performance, reduction of operable life, and/or reduction of overall reliability.

This product carries a **Moisture Sensitivity Level (MSL) rating** as shown below, and should be handled according to the requirements of the latest version of the joint industry standard **IPC/JEDEC J-STD-033**.

| Device | Moisture Sensitivity Level (MSL) Rating |
|--------|---|
| PD1201 | MSL 1                                   |

**ESD Sensitivity**



This product is **ESD Sensitive**, and should be handled according to the industry standard **JESD-625**.

**Reflow Profile**

This product has a maximum body temperature and time rating as shown below. All other guidelines of **J-STD-020** must be observed.

| Device | Maximum Temperature x Time |
|--------|----------------------------|
| PD1201 | 245°C for 30 seconds       |

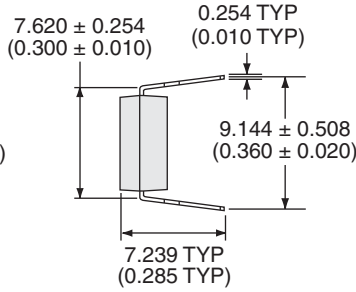
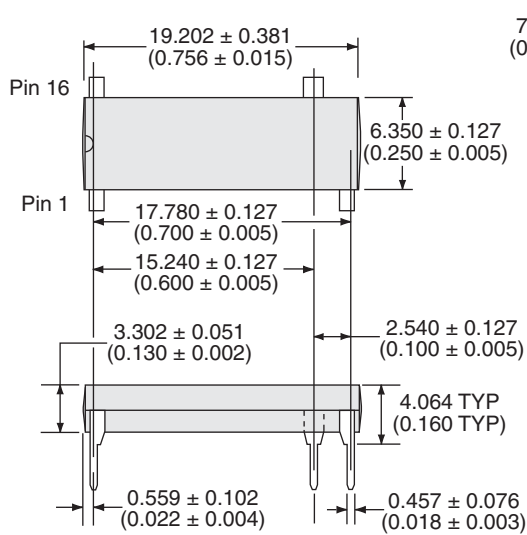
**Board Wash**

IXYS Integrated Circuits Division recommends the use of no-clean flux formulations. However, board washing to remove flux residue is acceptable. Since IXYS Integrated Circuits Division employs the use of silicone coating as an optical waveguide in many of its optically isolated products, the use of a short drying bake could be necessary if a wash is used after solder reflow processes. Chlorine- or Fluorine-based solvents or fluxes should not be used. Cleaning methods that employ ultrasonic energy should not be used.

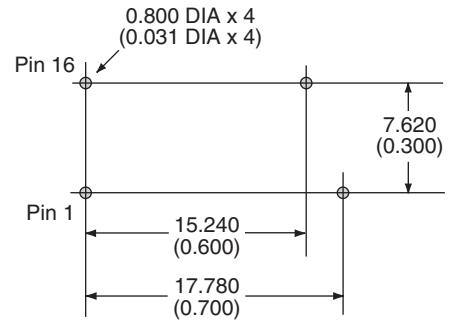


Mechanical Dimensions

PD1201



PCB Hole Pattern



Dimensions  
 mm  
 (inches)

For additional information please visit our website at: [www.ixysic.com](http://www.ixysic.com)

IXYS Integrated Circuits Division makes no representations or warranties with respect to the accuracy or completeness of the contents of this publication and reserves the right to make changes to specifications and product descriptions at any time without notice. Neither circuit patent licenses nor indemnity are expressed or implied. Except as set forth in IXYS Integrated Circuits Division's Standard Terms and Conditions of Sale, IXYS Integrated Circuits Division assumes no liability whatsoever, and disclaims any express or implied warranty, relating to its products including, but not limited to, the implied warranty of merchantability, fitness for a particular purpose, or infringement of any intellectual property right.

The products described in this document are not designed, intended, authorized or warranted for use as components in systems intended for surgical implant into the body, or in other applications intended to support or sustain life, or where malfunction of IXYS Integrated Circuits Division's product may result in direct physical harm, injury, or death to a person or severe property or environmental damage. IXYS Integrated Circuits Division reserves the right to discontinue or make changes to its products at any time without notice.

Компания «Life Electronics» занимается поставками электронных компонентов импортного и отечественного производства от производителей и со складов крупных дистрибьюторов Европы, Америки и Азии.

С конца 2013 года компания активно расширяет линейку поставок компонентов по направлению коаксиальный кабель, кварцевые генераторы и конденсаторы (керамические, пленочные, электролитические), за счёт заключения дистрибьюторских договоров

Мы предлагаем:

- Конкурентоспособные цены и скидки постоянным клиентам.
- Специальные условия для постоянных клиентов.
- Подбор аналогов.
- Поставку компонентов в любых объемах, удовлетворяющих вашим потребностям.
- Приемлемые сроки поставки, возможна ускоренная поставка.
- Доставку товара в любую точку России и стран СНГ.
- Комплексную поставку.
- Работу по проектам и поставку образцов.
- Формирование склада под заказчика.
- Сертификаты соответствия на поставляемую продукцию (по желанию клиента).
- Тестирование поставляемой продукции.
- Поставку компонентов, требующих военную и космическую приемку.
- Входной контроль качества.
- Наличие сертификата ISO.

В составе нашей компании организован Конструкторский отдел, призванный помогать разработчикам, и инженерам.

Конструкторский отдел помогает осуществить:

- Регистрацию проекта у производителя компонентов.
- Техническую поддержку проекта.
- Защиту от снятия компонента с производства.
- Оценку стоимости проекта по компонентам.
- Изготовление тестовой платы монтаж и пусконаладочные работы.



Тел: +7 (812) 336 43 04 (многоканальный)

Email: [org@lifeelectronics.ru](mailto:org@lifeelectronics.ru)